
PARTS CATALOG



FS-6900

COMPACT LASER

PRINTER WITH

ECOSYS TECHNOLOGY

CONTENTS

<i>ITEM</i>	<i>PAGE</i>
NOTES	2
MODULES	3, 4
COVERS	5
UPPER FRAME	8
DRIVE UNIT	11
CONTROLLER BOX	13
FEED/TRANSFER UNIT	16
FUSER UNIT	19
PAPER CASSETTE	21
DRUM UNIT	23
DEVELOPER UNIT	25
MULTI FEED UNIT	27
<i>END OF PAGE</i>	<i>28</i>

- ⦿ The REF. NO.'s refer the same number in the exploded diagrams on the subsequent pages.
- ⦿ ISP stands for Initially-Supplied Parts. The availability for ISP depends on the destination. For details, refer to the ISP List supplied by Kyocera.
- ⦿ Those parts bearing a number in the diagram but does not appear in the catalog list are not suppliable as a general supply part.
- ⦿ Dates, if any, are indicated as yy.mm.dd.

NOTES

FS-6900 **PARTS CATALOG**

REV. 9.03_99.10.26

REF. NO.	PART CODE	PART CODE 1	DESCRIPTION	ISP	USED	FS-6900		CHP-6900	FS-6950	DP-2500	FS-6350	FS-6300	CHP-6300
						Germany	U.K.	France	Australia	Korea	Taiwan	MCE	Taiwan

DRIVE UNIT

03-A01	5PLPXH9APKX	5AAYLS66J*34	DR-25 DRIVE UNIT	1	1	No	No	No	No	No	No	No	No	No
03-A01	5PLPXC6APKX	5AAY6300J*04	DR-26 DRIVE UNIT	1	1	No	No	No	No	No	No	Yes	Yes	Yes
03-A01	5PLPXJ0APKX	5AAY6800J*03	DR-27 DRIVE UNIT	1	1	Yes	Yes	Yes	Yes	Yes	Yes	Yes	No	No

FEED/TRANSFER UNIT

05-A01	5PLPZ3RAPKX	5AAYLS66J*37	FE-25 FEED TRANS UNIT	1	1	No	No	No	No	No	No	No	No	No
05-A01	5PLPXM0AJMT		FE-25 FEED TRANS UNIT (MITA)	1	1	No	No	No	No	No	No	No	No	No
05-A01	5PLPXE3APKX		FE-25 FEED TRANS UNIT (OEM)	1	1	No	No	No	No	No	No	No	No	No
05-A01	5PLPZ8XAJK9	5AAY6300J*05	FE-26 FEED TRANS UNIT	1	1	No	No	No	No	No	No	Yes	Yes	No
05-A01	5PLPXE8APKX		FE-26 FEED TRANS UNIT (OEM)	1	1	No	No	No	No	No	No	No	No	Yes
05-A01	5PLPZ4YAJK9	5AAY6800J*14	FE-27 FEED TRANS UNIT	1	1	Yes	Yes	Yes	Yes	No	Yes	No	No	No
05-A01	5PLPXM1AEMT		FE-27 FEED TRANS UNIT (MITA)	1	1	No	No	No	No	No	No	Yes	No	No
05-A01	5PLPXF2APKX		FE-27 FEED TRANS UNIT (OEM)	1	1	No	No	No	No	Yes	No	No	No	No

FUSER UNIT

06	5PLPZ4KAEKE		FK-25 (E) FUSER UNIT	1	1	No	No	No	No	No	No	No	No	No
06	5PLPZ5KAAK1		FK-25 (U) FUSER UNIT	1	1	No	No	No	No	No	No	No	No	No
06	5PLPZ3FAJK9		FK-25 (J) FUSER UNIT	1	1	No	No	No	No	No	No	No	No	No
06	5PLPXL5AJMT		FK-25 (J) FUSER UNIT (MITA)	1	1	No	No	No	No	No	No	No	No	No
06	5PLPXE1APKX		FK-25 (E) FUSER UNIT (OEM)	1	1	No	No	No	No	No	No	No	No	No
06	5PLPXA4A0LE		FK-26 (U) FUSER UNIT	1	1	No	No	No	No	No	No	Yes	Yes	No
06	5PLPXE6APKX		FK-26 (E) FUSER UNIT (OEM)	1	1	No	No	No	No	No	No	No	No	Yes
06	5PLPZ7XAJK9	5AAY6300J*09	FK-26 (J) FUSER UNIT	1	1	No	No	No	No	No	No	No	No	No
06	5PLPX38AEKE	5AAY6900E*05	FK-27 (E) FUSER UNIT	1	1	Yes	Yes	Yes	Yes	No	No	No	No	No
06	5PLPX39AAK1	5AAY6900TW03	FK-27 (U) FUSER UNIT	1	1	No	No	No	No	No	Yes	No	No	No
06	5PLPZ3YAJK9	5AAY6800J*06	FK-27 (J) FUSER UNIT	1	1	No	No	No	No	No	No	No	No	No
06	5PLPXL6AEMT		FK-27 (E) FUSER UNIT (MITA)	1	1	No	No	No	No	No	No	Yes	No	No
06	5PLPXF0APKX		FK-27 (E) FUSER UNIT (OEM)	1	1	No	No	No	No	Yes	No	No	No	No

DRUM UNIT

08	5PLPXA2A0LE		DK-26 DRUM UNIT	1	1	No	No	No	No	No	No	No	Yes	Yes	No
08	5PLPZ0YAJK9	5AAY6300J*07	DK-26 DRUM UNIT	1	1	No	No	No	No	No	No	No	No	No	No
08	5PLPXE4APKX		DK-26 DRUM UNIT (OEM)	1	1	No	No	No	No	No	No	No	No	No	Yes
08	5PLPX37AEKE		DK-27 DRUM UNIT	1	1	Yes	Yes	Yes	Yes	No	Yes	No	No	No	No
08	5PLPZ2YAJK9	5AAY6800J*05	DK-27 DRUM UNIT	1	1	No	No	No	No	No	No	No	No	No	No
08	5PLPXL0AEMT		DK-27 DRUM UNIT (MITA)	1	1	No	No	No	No	No	No	Yes	No	No	No
08	5PLPXE9APKX		DK-27 DRUM UNIT (OEM)	1	1	No	No	No	No	Yes	No	No	No	No	No

REF. NO.	PART CODE	PART CODE 1	DESCRIPTION	ISP	USED	FS-6900 Germany	U.K.	France	Australia	CHP-6900 Korea	FS-6950 Taiwan	DP-2500 MCE	FS-6350 Taiwan	FS-6300 S'pore	CHP-6300 Korea
----------	-----------	-------------	-------------	-----	------	-----------------	------	--------	-----------	----------------	----------------	-------------	----------------	----------------	----------------

LASER SCANNER UNIT

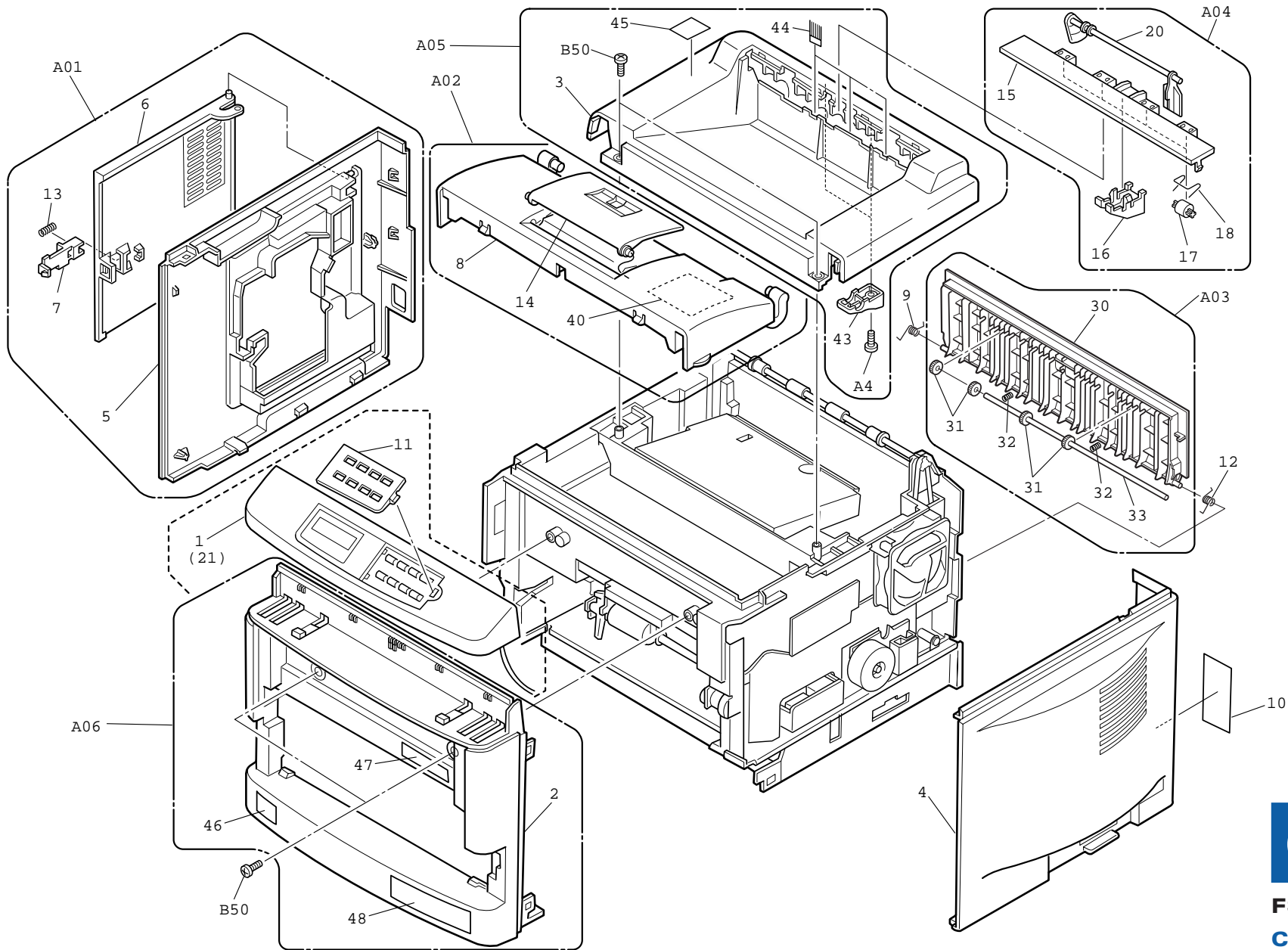
09	5PLPZ9XAJK9	5AAY6300J*06	LK-26 SCANNER UNIT	1	1	No	No	No	No	No	No	No	Yes	Yes	No
09	5PLPXE7APKX		LK-26 SCANNER UNIT (OEM)	1	1	No	No	No	No	No	No	No	No	No	Yes
09	5PLPZ1YAJK9	5AAY6800J*04	LK-27 SCANNER UNIT	1	1	Yes	Yes	Yes	Yes	No	Yes	No	No	No	No
09	5PLPXM3AEMT		LK-27 SCANNER UNIT (MITA)	1	1	No	No	No	No	No	No	Yes	No	No	No
09	5PLPXF1APKX		LK-27 SCANNER UNIT (OEM)	1	1	No	No	No	No	Yes	No	No	No	No	No

DEVELOPER UNIT

10	5PLPZ3KA EKX	5AAYLS66J*33	DV-25 DEVELOPER UNIT	1	1	Yes	Yes	Yes	Yes	No	Yes	No	No	No	No
10	5PLPZ6FAJK9		DV-25 DEVELOPER UNIT	1	1	No	No	No	No	No	No	No	No	No	No
10	5PLPXR4AEMT		DV-25 DEVEROPER UNIT (MITA)	1	1	No	No	No	No	No	No	Yes	No	No	No
10			DV-25 DEVEROPER UNIT (MITA)	1	1	No	No	No	No	No	No	No	No	No	No
10	5PLPXE0APKX		DV-25 DEVEROPER UNIT (OEM)	1	1	No	No	No	No	Yes	No	No	No	No	No
10	5PLPXA3A0LE		DV-26 DEVELOPER UNIT	1	1	No	No	No	No	No	No	No	No	No	No
10	5PLPZ5YAJK9	5AAY6300J*08	DV-26 DEVELOPER UNIT	1	1	No	No	No	No	No	No	No	No	No	No
10	5PLPXE5APKX		DV-26 DEVELOPER UNIT (OEM)	1	1	No	No	No	No	No	No	No	No	No	Yes
10	5PLPXR8AEKX		DV-29 DEVEROPER UNIT	1	1	No	No	No	No	No	No	No	Yes	Yes	No

AC CORD ASSEMBLY

A-001	5AACAC393ULA		AC CORD ASSY		1	No	No	No	Yes	No	Yes	No	Yes	No	No
A-001	5AACAC404ASA		AC CORD ASSY		1	No	No	No	No	No	No	No	No	No	No
A-001	5AACAC427JAA	5AACAC444JAA	AC CORD ASSY		1	No	No	No	No	No	No	No	No	No	No
A-001	5AACAC428EEA		AC CORD ASSY		1	Yes	No	Yes	No	Yes	No	Yes	No	No	Yes
A-001	5AACAC444JAA		AC CORD ASSY		1	No	No	No	No	No	No	No	No	No	No
A-001	5AACAC458BSA		AC CORD ASSY		1	No	Yes	No	No	No	No	No	No	Yes	No



01

FS-6900
COVERS

COVERS

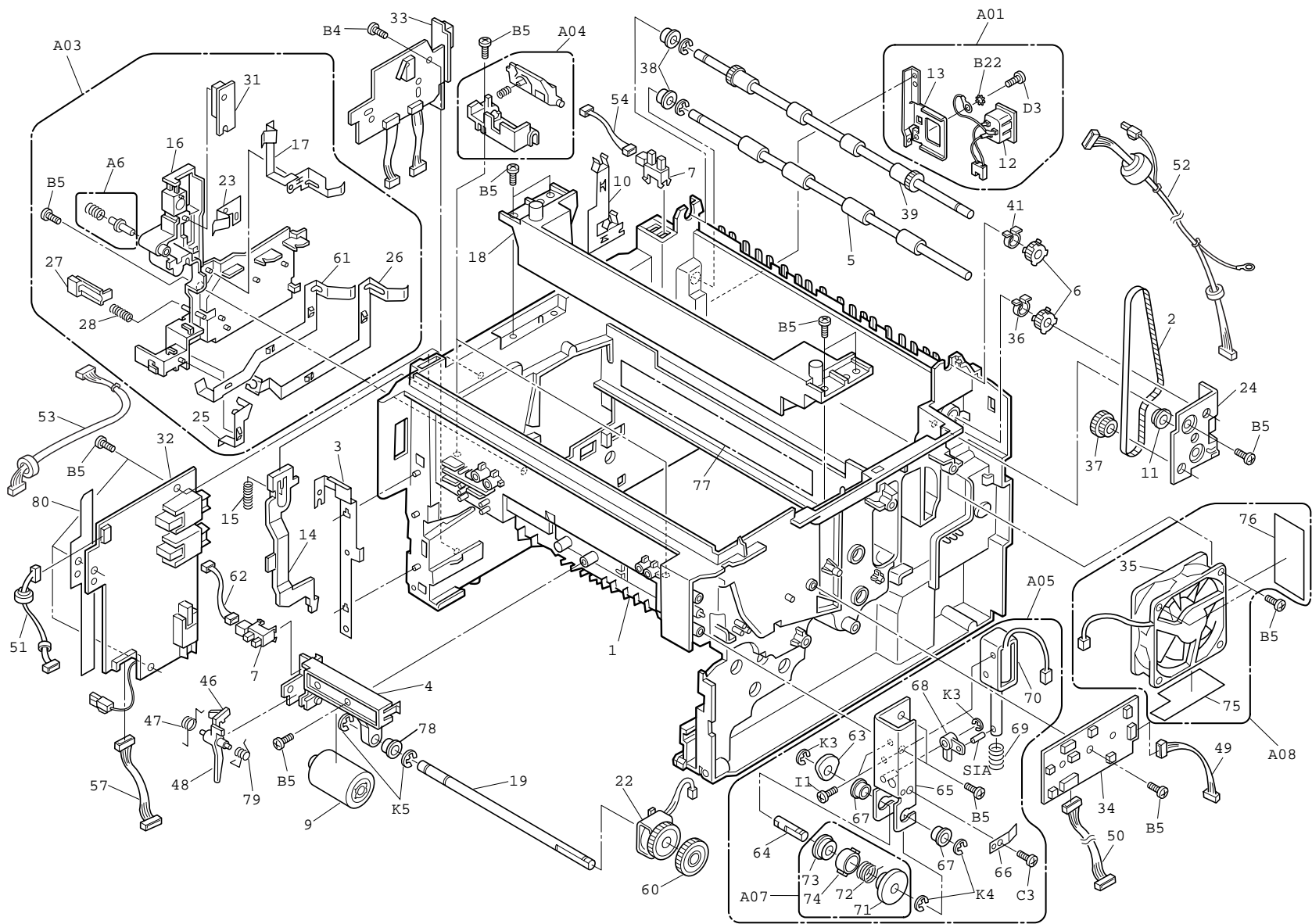
1 OF 2

REF. NO.	PART CODE	PART CODE 1	DESCRIPTION	ISP	USED	FS-6900		CHP-6900		FS-6950	DP-2500	FS-6350	FS-6300	CHP-6300	
						Germany	U.K.	France	Australia	Korea	Taiwan	MCE	Taiwan	S'pore	Korea
01-001	5AAY6300AM02		KEY BOARD ASSY	1	1	No	No	No	No	No	No	No	No	Yes	No
01-001	5AAY6300CH04		KEY BOARD ASSY	1	1	No	No	No	No	No	No	No	No	No	Yes
01-001	5AAY6350TW02		KEY BOARD ASSY	1	1	No	No	No	No	No	No	No	Yes	No	No
01-001	5AAY6700A*03		KEY BOARD ASSY	1	1	No	No	No	No	No	No	No	No	No	No
01-001	5AAY6700CH03		KEY BOARD ASSY	1	1	No	No	No	No	No	No	No	No	No	No
01-001	5AAY6700E*05		KEY BOARD ASSY	1	1	No	No	No	No	No	No	No	No	No	No
01-001	5AAY6700F*02		KEY BOARD ASSY	1	1	No	No	No	No	No	No	No	No	No	No
01-001	5AAY6700TW02		KEY BOARD ASSY	1	1	No	No	No	No	No	No	No	No	No	No
01-001	5AAY6800J*08		KEY BOARD ASSY	1	1	No	No	No	No	No	No	No	No	No	No
01-001	5AAY6900CH03		KEY BOARD ASSY	1	1	No	No	No	No	Yes	No	No	No	No	No
01-001	5AAY6900E*06		KEY BOARD ASSY	1	1	Yes	No	No	No	No	No	No	No	No	No
01-001	5AAY6950TW02		KEY BOARD ASSY	1	1	No	No	No	No	No	Yes	No	No	No	No
01-001	5AAYLS67MJ06		KEY BOARD ASSY	1	1	No	No	No	No	No	No	No	No	No	No
01-001	5AAYLS66J*38		KEY BOARD ASSY	1	1	No	No	No	No	No	No	No	No	No	No
01-001	5AAYLS67SJ02		KEY BOARD ASSY	1	1	No	No	No	No	No	No	No	No	No	No
01-002	5MVB986CH001		COVER FRONT		1	Yes	Yes	Yes	Yes	Yes	Yes	Yes	Yes	Yes	Yes
01-004	5MVB885CH003		COVER RIGHT		1	Yes	Yes	Yes	Yes	Yes	Yes	Yes	Yes	Yes	Yes
01-005	5MVB885CH002		COVER LEFT		1	Yes	Yes	Yes	Yes	Yes	Yes	Yes	Yes	Yes	Yes
01-006	5MVB873CH003		COVER SIDE		1	Yes	Yes	Yes	Yes	Yes	Yes	Yes	Yes	Yes	Yes
01-007	5MVX432CH001		LEVER SIDE		1	Yes	Yes	Yes	Yes	Yes	Yes	Yes	Yes	Yes	Yes
01-009	5MMW161SD007		SPRING REAR L		1	Yes	Yes	Yes	Yes	Yes	Yes	Yes	Yes	Yes	Yes
01-010	5MVM6700E*1		RATING LABEL		1					No	No	No	No	No	No
01-011	5MVS651CH001		PANEL ENGLISH		1	Yes				No	Yes	No	No	No	No
01-011	5MVS651CH002		PANEL GERMAN		1					No	No	No	No	No	No
01-011	5MVS651CH003		PANEL FRANCE		1			Yes		No	No	No	No	No	No
01-011	5MVS651CH004		PANEL SPANISH		1					No	No	Yes	No	No	No
01-011	5MVS651CH005		PANEL ITALIAN		1					No	No	Yes	No	No	No
01-011	5MVS651CH006		PANEL DANISH		1					No	No	Yes	No	No	No
01-011	5MVS651CH015		PANEL GERMAN C		1					No	No	Yes	No	No	No
01-011	5MVS651CH016		PANEL LS		1	No	No	No	No	No	No	No	No	No	No
01-011	5MVS651CH018		PANEL ENGLISH		1	No	No	No	No	No	No	Yes	Yes	Yes	No
01-011	5MVS651CH020		PANEL KOREA		1	No	No	No	No	Yes	No	No	No	No	No
01-011	5MVS651CH021		PANEL KOREA		1	No	No	No	No	No	No	No	No	No	Yes
01-012	5MMW161SD008		SPRING REAR R		1	Yes		Yes		Yes	Yes	Yes	Yes	Yes	Yes
01-013	5MMW166LD008		SPRING LEVER		1	Yes		Yes		Yes	Yes	Yes	Yes	Yes	Yes
01-014	5MVB761SH009		STOPPER FD		1	Yes		Yes		Yes	Yes	Yes	Yes	Yes	Yes
01-015	5MVX853CH001		FRAME FD		1	Yes		Yes		Yes	Yes	Yes	Yes	Yes	Yes
01-016	5MVX332DB012		GUIDE STOCK		1	Yes		Yes		Yes	Yes	Yes	Yes	Yes	Yes
01-017	5MVM273DB003		ROLLER PINCH		4	Yes		Yes		Yes	Yes	Yes	Yes	Yes	Yes
01-018	5MMW251LD025		SPRING PULLEY		4					No	No	No	No	No	No
01-020	5MVX335CB001		ACTUATOR FD		1	Yes		Yes		Yes	Yes	Yes	Yes	Yes	Yes
01-021	5MVB866CH001		PANEL FRONT		1					No	No	No	No	No	No
01-021	5MVB866CH003		PANEL FRONT U		1					No	No	No	No	No	No
01-021	5MVB866CH004		PANEL FRONT E		1					No	No	No	No	No	No
01-021	5MVB866CH006		PANEL FRONT		1					No	No	No	No	No	No
01-021	5MVB866CH007		PANEL FRONT		1					No	No	No	No	No	No

COVERS

2 OF 2

REF. NO.	PART CODE	PART CODE 1	DESCRIPTION	ISP	USED	FS-6900		CHP-6900	FS-6950	DP-2500	FS-6350	FS-6300	CHP-6300
						Germany	U.K.	France	Australia	Korea	Taiwan	MCE	Taiwan
01-021	5MVB866CH018		PANEL FRONT KOREA		1	No	No	No	No	Yes	No	No	No
01-021	5MVB866CH020		PANEL FRONT TWN		1	No	No	No	No	No	No	Yes	No
01-022	5MVS756CN001		COVER PANEL		1	Yes		Yes		Yes	Yes	Yes	No
01-022	5MVS756CN003		COVER PANEL LS		1	No	No	No	No	No	No	Yes	Yes
01-024	5MVS751RC001		SHEET PWB KEY		1	Yes		Yes		Yes	Yes	Yes	Yes
01-028	5AAPRKBC2001CH		P.W.B. ASSY KP-503		1					No	No		No
01-030	5MVX863CH001		COVER REAR		1	Yes		Yes		Yes	Yes	Yes	Yes
01-031	5MVM176DB016		PULLEY EXIT FD		4	Yes		Yes		Yes	Yes	Yes	Yes
01-032	5MMW251LD033		SPRING PULLEY B		2	Yes		Yes		Yes	Yes	Yes	Yes
01-033	5MMT833SD001		SHAFT EXIT		1	Yes	No	Yes		Yes	Yes	Yes	Yes
01-040	5MVVL761WN46		LABEL DIAGRAM FE22		1			No		No	No	No	No
01-040	5MVVL761WN47		LABEL DIAGRAM FE22		1	Yes		Yes		Yes	Yes	Yes	Yes
01-043	5MVB432DH001		GUIDE STOCK B		2	Yes		Yes		Yes	Yes	Yes	Yes
01-044	5MVS337FF002		DISCHARGER FD		3	Yes		Yes		Yes	Yes	Yes	Yes
01-A01	5AAVC0VER202		COVER LEFT ASSY	1	1	Yes	No	Yes	No	Yes	Yes	Yes	Yes
01-A02	5AAVC0VER203		LID TOP ASSY		1					No	No		No
01-A02	5AAVC0VER218		LID TOP ASSY		1	Yes		Yes		Yes	Yes		No
01-A03	5AAYLS66J*42		COVER REAR ASSY	1	1	Yes	No	Yes	No	Yes	Yes	Yes	Yes
01-A04	5AAVFRAME091		FRAME FD ASSY		1	Yes		Yes		Yes	Yes		Yes
01-A05	5AAVC0VER212		COVER TOP ASSY		1					No	No		No
01-A05	5AAVC0VER220		COVER TOP ASSY		1	Yes		Yes		Yes	Yes		Yes
01-A06	5AAVC0VER210		COVER FRONT ASSY	1	1	No	No	No	No	No	No		No
01-A06	5AAVC0VER221		COVER FRONT ASSY	1	1	No	No	No	No	No	No		No
01-A07	5AAVC0VER215		COVER TOP/LID ASSY	1	1	No	No	No	No	No	No		No
01-A07	5AAVC0VER219		COVER TOP/LID ASSY	1	1	Yes	No	Yes	No	Yes	Yes		No
01-A07	5AAVC0VER232		COVER TOP/LID ASSY	1	1	No	No	No	No	No	No		No
01-A07	5AAVC0VER240		COVER TOP/LID ASSY	1	1	No	No	No	No	No	No	No	Yes



FS-6900
UPPER FRAME

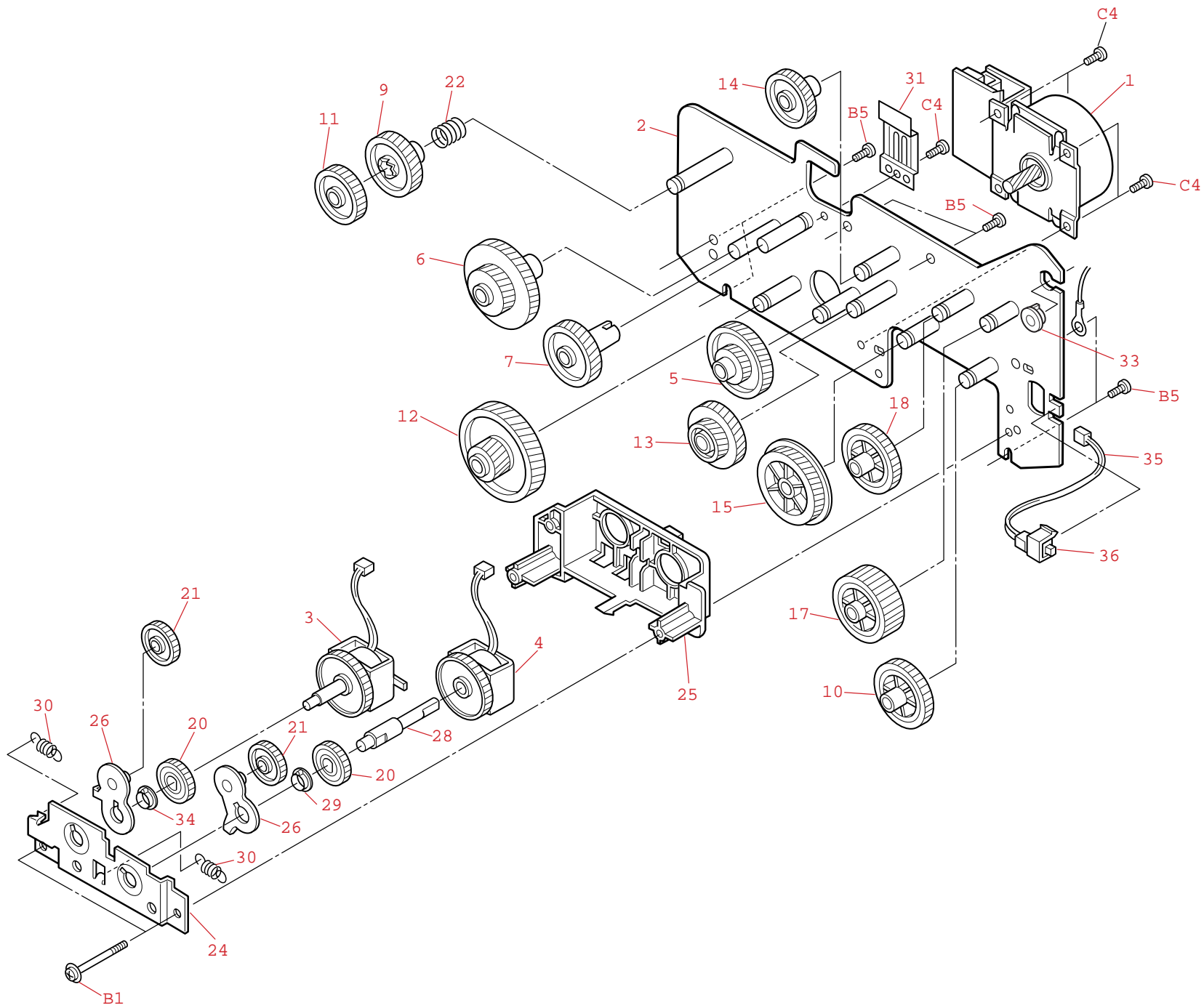
UPPER FRAME

REF. NO.	PART CODE	PART CODE 1	DESCRIPTION	ISP	USED	FS-6900		CHP-6900		FS-6950	DP-2500	FS-6350	FS-6300	CHP-6300
						Germany	U.K.	France	Australia	Korea	Taiwan	MCE	Taiwan	S'pore
02-002	5MVM170RB002		BELT FD		1	Yes	Yes	Yes	Yes	Yes	Yes	Yes	Yes	Yes
02-003	5MMX742SD002		PLATE EARTH		1	Yes	Yes	Yes	Yes	Yes	Yes	Yes	Yes	Yes
02-004	5MVX744SB003		BRACKET M/P ROLL		1	Yes	Yes	Yes	Yes	Yes	Yes	Yes	Yes	Yes
02-005	5MVT821CB002		ROLLER FD B		1	Yes	Yes	Yes	Yes	Yes	Yes	Yes	Yes	Yes
02-006	5MVG327DN004		PULLEY FD		2	Yes	Yes	Yes	Yes	Yes	Yes	Yes	Yes	Yes
02-007	5ENXGP1A73A**01		PT.SENSOR GP1A73AZ	1	1	Yes	Yes	Yes	Yes	Yes	Yes	Yes	Yes	Yes
02-009	5AAVR0LER036		ROLLER M/P ASSY	1	1	No	No	No	No	No	No	No	No	No
02-009	5AAVR0LER041		ROLLER M/P ASSY	1	1	Yes	Yes	Yes	Yes	Yes	Yes	Yes	Yes	Yes
02-010	5MVF276DN001		PULLEY TENSION FD		1	Yes	Yes	Yes	Yes	Yes	Yes	Yes	Yes	Yes
02-011	5MMX642LD003		PLATE EARTH FD		1	Yes	Yes	Yes	Yes	Yes	Yes	Yes	Yes	Yes
02-013	5MMX643SD004		BRACKET INLET		1	Yes	Yes	Yes	Yes	Yes	Yes	Yes	Yes	Yes
02-014	5MVX753SB003		ROD INTER ROCK		1	Yes	Yes	Yes	Yes	Yes	Yes	Yes	Yes	Yes
02-015	5MMW451LD001		SPRING INTER LOCK		1	Yes	Yes	Yes	Yes	Yes	Yes	Yes	Yes	Yes
02-016	5MVX773SH005		COVER HV		1	Yes	Yes	Yes	Yes	Yes	Yes	Yes	Yes	Yes
02-017	5MMX664LD001		CONTACT TC		1	Yes	Yes	Yes	Yes	Yes	Yes	Yes	Yes	Yes
02-018	5MVB966CB003		FRAME MID		1	Yes	Yes	Yes	Yes	Yes	Yes	No	No	No
02-019	5MMT866SN028		SHAFT M/P ROLL		1	Yes	Yes	Yes	Yes	Yes	Yes	Yes	Yes	Yes
02-022	5EYYAFAAM01**03	5EYYAFAAM02**02	CLUTCH M/P		1	Yes	Yes	Yes	Yes	Yes	Yes	Yes	Yes	Yes
02-023	5MMX531LY001		CONTACT MCH		1	Yes	Yes	Yes	Yes	Yes	Yes	Yes	Yes	Yes
02-024	5MVB663DN001		HOLDER FD GEAR		1	Yes	Yes	Yes	Yes	Yes	Yes	Yes	Yes	Yes
02-025	5MMX422LD010		CONTACT HI.MEG A		1	Yes	Yes	Yes	Yes	Yes	Yes	Yes	Yes	Yes
02-026	5MMX654LD004		CONTACT HI.MEG B		1	Yes	Yes	Yes	Yes	Yes	Yes	Yes	Yes	Yes
02-027	5MVX321SB016		LEVER BOTTLE		1	Yes	Yes	Yes	Yes	Yes	Yes	Yes	Yes	Yes
02-028	5MMW241LD014		SPRING LEVER BOTTLE		1	Yes	Yes	Yes	Yes	Yes	Yes	Yes	Yes	Yes
02-031	5AAPRIFC1011AH		P.W.BOARD ASSY		1	Yes	Yes	Yes	Yes	Yes	Yes	Yes	Yes	Yes
02-032	5AAXTR045GEA		TRANS ASSY	1	1	No	No	No	No	No	No	Yes	Yes	Yes
02-032	5AAXTR039VDA		TRANS ASSY	1	1	Yes	Yes	Yes	Yes	Yes	Yes	No	No	No
02-033	5AAPRSSC1021AH		P.W.BOARD ASSY		1	Yes	Yes	Yes	Yes	Yes	Yes	Yes	Yes	Yes
02-034	5AAPRIFC1021AH		P.W.BOARD ASSY		1	Yes	Yes	Yes	Yes	Yes	Yes	Yes	Yes	Yes
02-036	5MVM176DN019		BUSH POM A		1	No	No	No	No	Yes	No	No	Yes	No
02-037	5MVG137DB069		GEAR FD		1	Yes	Yes	Yes	Yes	Yes	Yes	Yes	Yes	Yes
02-038	5MVM210DB002		BUSH REGIST	1	1	Yes	Yes	Yes	Yes	Yes	Yes	Yes	Yes	Yes
02-039	5MVT821CB001		ROLLER FD A		1	Yes	Yes	Yes	Yes	Yes	Yes	Yes	Yes	Yes
02-040	5MVM162DN004		BUSH FD L	1	1	No	No	No	No	No	No	No	No	No
02-041	5MVM162DN005		BUSH FD R	1	1	Yes	Yes	Yes	Yes	Yes	Yes	Yes	Yes	Yes
02-046	5MVX222SB012		ARM M/P A		1	Yes	Yes	Yes	Yes	Yes	Yes	Yes	Yes	Yes
02-047	5MMW161LJ043		SPRING M/P ARM		1	Yes	Yes	Yes	Yes	Yes	Yes	Yes	Yes	Yes
02-048	5MVX532SB007		ACTUATOR M/P		1	Yes	Yes	Yes	Yes	Yes	Yes	Yes	Yes	Yes
02-049	5AACCNQL8GEA		CONN. CORD ASSY		1	Yes	Yes	Yes	Yes	Yes	Yes	No	No	No
02-050	5AACCNQL7GEA		CONN. CORD ASSY		1	Yes	Yes	Yes	Yes	Yes	Yes	Yes	Yes	Yes
02-051	5AACCNQN1GEA		CONN. CORD ASSY		1					No	No	Yes	Yes	Yes
02-052	5AACCNQT8GEA		CONN. CORD ASSY		1					No	Yes	No	No	No
02-053	5AACCNQL2GEA		CONN. CORD ASSY		1	Yes	Yes	Yes	Yes	Yes	Yes	Yes	Yes	Yes
02-054	5AACCNQL3GEA		CONN. CORD ASSY		1	Yes	Yes	Yes	Yes	Yes	Yes	Yes	Yes	Yes

UPPER FRAME

2 OF 2

REF. NO.	PART CODE	PART CODE 1	DESCRIPTION	ISP	USED	FS-6900		CHP-6900	FS-6950	DP-2500	FS-6350	FS-6300	CHP-6300	
						Germany	U.K.	France	Australia	Korea	Taiwan	MCE	Taiwan	S'pore
02-060	5MVG158DN036		GEAR M/P Z42S		1	Yes	Yes	Yes	Yes	Yes	Yes	Yes	Yes	
02-061	5MMX665LD003		CONTACT SEPARATE		1	Yes	Yes	Yes	Yes	Yes	Yes	Yes	Yes	
02-062	5AACCNQL4GEA		CONN. CORD ASSY		1	Yes	Yes	Yes	Yes	Yes	Yes	Yes	Yes	
02-063	5MVX221DN011		CAM M/P		1	Yes	Yes	Yes	Yes	Yes	Yes	Yes	Yes	
02-064	5MMT566SN004		SHAFT M/P CL		1	Yes	Yes	Yes	Yes	Yes	Yes	Yes	Yes	
02-065	5MMUJ364SD001		BRACKET CLUTCH		1	Yes	Yes	Yes	Yes	Yes	Yes	Yes	Yes	
02-066	5MMX411LD005		PLATE EARTH M/P B		1	Yes	Yes	Yes	Yes	Yes	Yes	Yes	Yes	
02-067	5MVM176DB017		BUSH M/P ROLL		2	Yes	Yes	Yes	Yes	Yes	Yes	Yes	Yes	
02-068	5MVX321DN012		LEVER M/P BOTTOM		1	Yes	Yes	Yes	Yes	Yes	Yes	Yes	Yes	
02-069	5MMW271LD009		SPRING SOLENOID		1	Yes	Yes	Yes	Yes	Yes	Yes	Yes	Yes	
02-070	5EZSA2402010101		SOLENOID ASSY		1	Yes	Yes	Yes	Yes	Yes	Yes	Yes	Yes	
02-078	5MVM176DN019		BUSH POM A		1	No	No	No	No	Yes	No	No	Yes	No
02-079	5MMW161LD042		SPRING ACTUATOR		1	Yes	Yes	Yes	Yes	Yes	Yes	Yes	Yes	Yes
02-080	5MVS762KF008		SHEET HI VOLTAGE		1	Yes	Yes	Yes	Yes	Yes	Yes	Yes	Yes	Yes
02-081	5MVM111RB003		RUBBER PIN		1	Yes	Yes	Yes	Yes	Yes	Yes	Yes	Yes	Yes
02-A01	5AAYLS66J*23		INLET ASSY		1	Yes	Yes	Yes	Yes	Yes	Yes	Yes	Yes	Yes
02-A02	5AAYLS66J*24		BRACKET ASSY		1	Yes	Yes	Yes	Yes	Yes	Yes	Yes	Yes	Yes
02-A03	5AAYLS66J*25		COVER HV ASSY		1	Yes	Yes	Yes	Yes	Yes	Yes	Yes	Yes	Yes
02-A04	5AAY1700E*43		DLP LOCK ASSY		2	No	No	No	No	No	No	No	No	No
02-A05	5AAYLS66J*41		BRACKET CL ASSY		1	Yes	Yes	Yes	Yes	Yes	Yes	Yes	Yes	Yes
02-A06	5AAY1700E*34		PIN HV ASSY		1	Yes	Yes	Yes	Yes	Yes	Yes	Yes	Yes	Yes
02-A07	5AAVCLTCH014		M/P CL ASSY		1	Yes	Yes	Yes	Yes	Yes	Yes	Yes	Yes	Yes
02-A08	5AAVTRAY*013		M/P TRAY ASSY	1	1	No	No	No	No	No	No	No	No	No
02-A08	5AAY6300J*26		FAN MOTOR ASSY		1	No	No	No	No	No	No	Yes	Yes	Yes
02-A08	5AAYLS66J*44		FAN MOTOR ASSY		1	Yes	Yes	Yes	Yes	Yes	Yes	No	No	No
02-B22	5MBWG40854SZ		OT LOCK WASHER		1	Yes	Yes	Yes	Yes	Yes	Yes	Yes	Yes	Yes
02-B28	5MBP2020WXSP		SPRING PIN		1	Yes	Yes	Yes	Yes	Yes	Yes	Yes	Yes	Yes



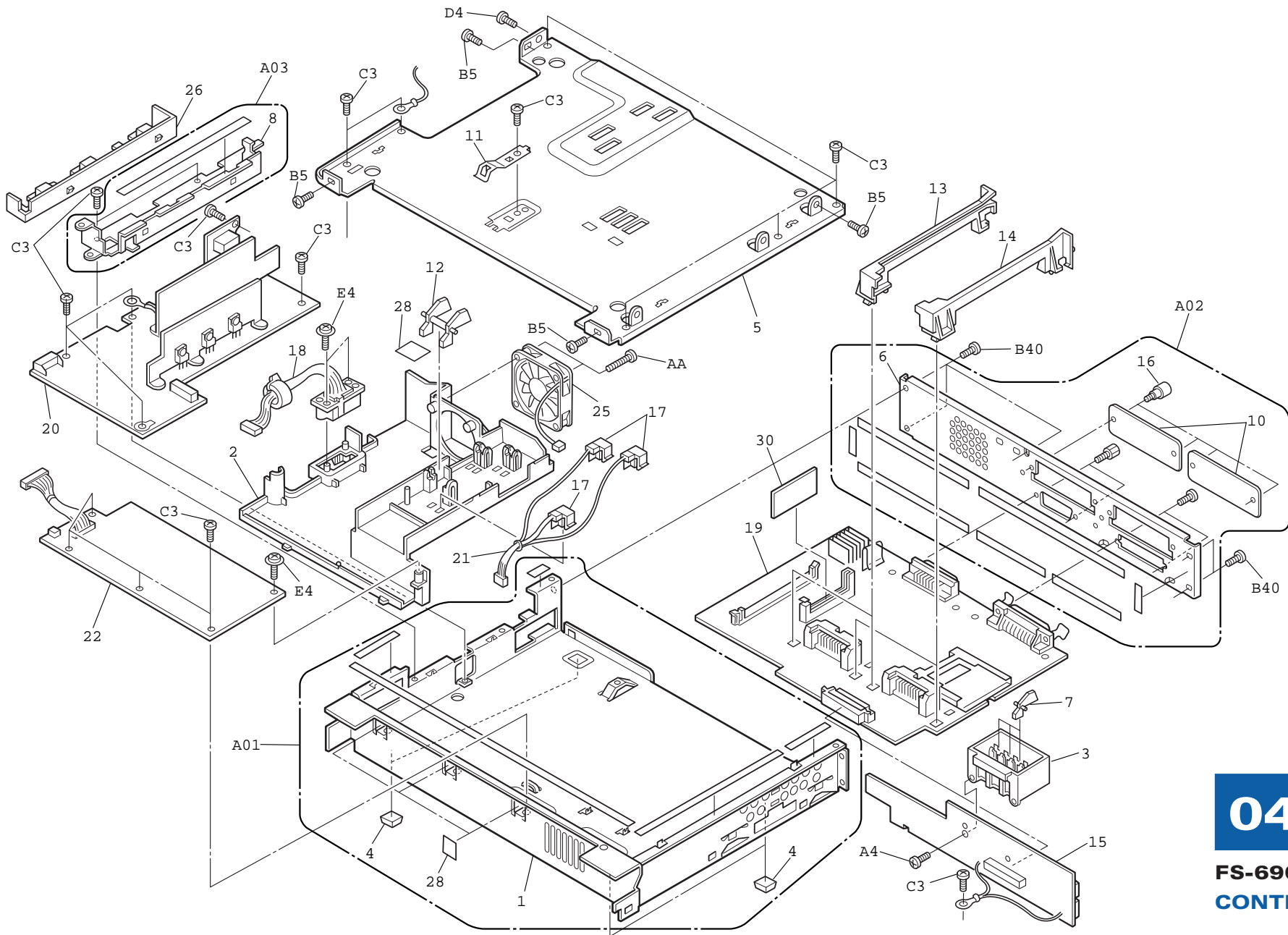
03

FS-6900 DRIVE UNIT

DRIVE UNIT

1 OF 1

REF. NO.	PART CODE	PART CODE 1	DESCRIPTION	ISP	USED	FS-6900		CHP-6900	FS-6950	DP-2500	FS-6350	FS-6300	CHP-6300	
						Germany	U.K.	France	Australia	Korea	Taiwan	MCE	Taiwan	S'pore
03-001	5AAXMT039GEA		MAIN MOTOR ASSY	1	1	Yes	Yes	Yes	Yes	Yes	Yes	No	No	No
03-001	5AAXMT043GEA		MAIN MOTOR ASSY	1	1	No	No	No	No	No	No	Yes	Yes	Yes
03-002	5MMX875SL004		PLATE DRIVE		1	Yes	Yes	Yes	Yes	Yes	Yes	Yes	Yes	Yes
03-003	5EYYALAAJ01**01		CLUTCH REGIST	1	1	Yes	Yes	Yes	Yes	Yes	Yes	No	No	No
03-004	5EYYAFAAM01**01	5EYYAFAAM02**01	CLUTCH FEED	1	1	Yes	Yes	Yes	Yes	Yes	Yes	No	No	No
03-005	5MVG169DN026		GEAR Z78H-Z24H		1	Yes	Yes	Yes	Yes	Yes	Yes	Yes	Yes	Yes
03-006	5MVG169DN024		GEAR Z55H-Z31H		1	No	No	No	No	No	No	Yes	Yes	Yes
03-006	5MVG169DN031		GEAR Z55H-Z31H		1	Yes	Yes	Yes	Yes	Yes	Yes	No	No	No
03-007	5MVG158DN030		GEAR Z41H		1	Yes	Yes	Yes	Yes	Yes	Yes	Yes	Yes	Yes
03-009	5MVG148NN006		GEAR Z39H		1	Yes	Yes	Yes	Yes	Yes	Yes	Yes	Yes	Yes
03-010	5MVG158DN032		GEAR Z44S A		1	Yes	Yes	Yes	Yes	Yes	Yes	Yes	Yes	Yes
03-011	5MVG148NN005		GEAR Z34S		1	Yes	Yes	Yes	Yes	Yes	Yes	Yes	Yes	Yes
03-012	5MVG169DN025		GEAR Z96H-Z21H		1	Yes	Yes	Yes	Yes	Yes	Yes	Yes	Yes	Yes
03-013	5MVG158DN029		GEAR Z41H-Z25H		1	Yes	Yes	Yes	Yes	Yes	Yes	Yes	Yes	Yes
03-014	5MVG148DN040		GEAR Z33H		1	Yes	Yes	Yes	Yes	Yes	Yes	Yes	Yes	Yes
03-015	5MVG159DN010		GEAR Z50H-Z49S		1	Yes	Yes	Yes	Yes	Yes	Yes	Yes	Yes	Yes
03-017	5MVG158DN031		GEAR Z46S B		1	Yes	Yes	Yes	Yes	Yes	Yes	Yes	Yes	Yes
03-018	5MVG158DN033		GEAR Z45S		1	Yes	Yes	Yes	Yes	Yes	Yes	Yes	Yes	Yes
03-020	5MVG138DN021		GEAR CLUTCH Z26S	1	2	Yes	Yes	Yes	Yes	Yes	Yes	Yes	Yes	Yes
03-021	5MVG137DN025		GEAR Z24S		2	Yes	Yes	Yes	Yes	Yes	Yes	Yes	Yes	Yes
03-022	5MMW361LD011		SPRING FREE		1	Yes	Yes	Yes	Yes	Yes	Yes	Yes	Yes	Yes
03-024	5MMS747SD002		PLATE CLUTCH		1	Yes	Yes	Yes	Yes	Yes	Yes	Yes	Yes	Yes
03-025	5MVB764DN001		HOLDER CLUTH		1	Yes	Yes	Yes	Yes	Yes	Yes	Yes	Yes	Yes
03-026	5MMX532SL013		PLATE JOINT CL		2	Yes	Yes	Yes	Yes	Yes	Yes	Yes	Yes	Yes
03-028	5MMT665SD001		SHAFT CLUTCH		1	Yes	Yes	Yes	Yes	Yes	Yes	Yes	Yes	Yes
03-029	5MVM176DB008		BUSHING STOP	1	1	Yes	Yes	Yes	Yes	Yes	Yes	Yes	Yes	Yes
03-030	5MMW261LD006		SPRING JOINT	1	2	Yes	Yes	Yes	Yes	Yes	Yes	Yes	Yes	Yes
03-031	5MMX431LD004		PLATE EARTH DRIVE	1	1	Yes	Yes	Yes	Yes	Yes	Yes	Yes	Yes	Yes
03-033	5MVM176DB012		BUSH POM B		1	Yes	Yes	Yes	Yes	Yes	Yes	Yes	Yes	Yes
03-034	5MMM176CJ005		BUSHING SBK	1	1	Yes	Yes	Yes	Yes	Yes	Yes	Yes	Yes	Yes
03-035	5AACCNQR4GEA		CONN. CORD ASSY		1	Yes	Yes	Yes	Yes	Yes	Yes	Yes	Yes	Yes
03-036	5ESP01000100*01		PUSH SWITCH 01 SN		1	Yes	Yes	Yes	Yes	Yes	Yes	Yes	Yes	Yes
03-A02	5AAYLS66J*48		DRIVE GEAR ASSY		1	No	No	No	No	No	No	No	No	No



04

FS-6900 CONTROLLER BOX

CONTROLLER BOX

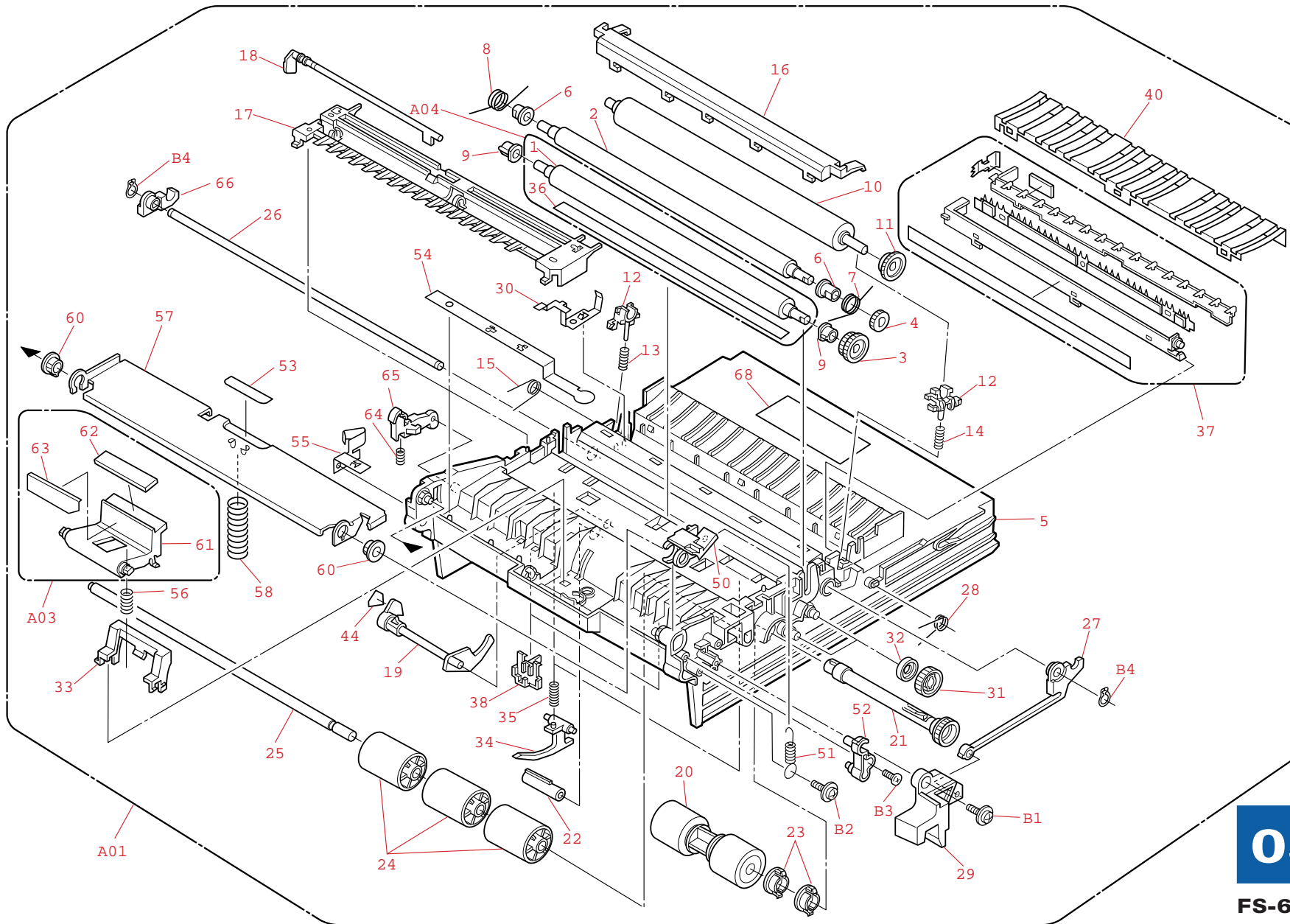
1 OF 2

REF. NO.	PART CODE	PART CODE 1	DESCRIPTION	ISP	USED	FS-6900		CHP-6900	FS-6950	DP-2500	FS-6350	FS-6300	CHP-6300
						Germany	U.K.	France	Australia	Korea	Taiwan	MCE	Taiwan
04-002	5MVB876SB015		BRACKET PWB		1	Yes	Yes	Yes	Yes	Yes	Yes	Yes	Yes
04-003	5MVB743SB004		BRACKET SIZE CASS B		1	Yes	Yes	Yes	Yes	Yes	Yes	Yes	Yes
04-004	5MVX221RB005		FOOT	1	4	Yes	Yes	Yes	Yes	Yes	Yes	Yes	Yes
04-005	5MMB982SD001		LID CONTROLLER		1	Yes	Yes	Yes	Yes	Yes	Yes	Yes	Yes
04-007	5MVX332DN003		ACTUATOR SIZE CASS A		5	Yes	Yes	Yes	Yes	Yes	Yes	Yes	Yes
04-010	5MMS636SD009		PLATE OPTION		2	Yes	Yes	Yes	Yes	Yes	Yes	Yes	Yes
04-011	5MMX622LD001		PLATE RELEASE CONT		1	Yes	Yes	Yes	Yes	Yes	Yes	Yes	Yes
04-012	5MVX433DB005		ACTUATER SIZE CASS B		1	Yes	Yes	Yes	Yes	Yes	Yes	Yes	Yes
04-013	5MVB743SL001		RAIL OPTION L		2	Yes	Yes	Yes	Yes	Yes	Yes	Yes	Yes
04-014	5MVB743SL002		RAIL OPTION R		2	Yes	Yes	Yes	Yes	Yes	Yes	Yes	Yes
04-015	5AAPRIFR2008AH		P.W.BOARD ASSY		1	Yes	Yes	Yes		Yes	Yes	Yes	Yes
04-016	5MMT263SN012		SCREW OP		4	Yes	Yes	Yes	Yes	Yes	Yes	Yes	Yes
04-017	5ESP01000100*01		PUSH SWITCH 01 SN		3	No	No	No	No	Yes	No	No	No
04-018	5AACCNQL5GEA		CONN. CORD ASSY		1					No	No	No	No
04-019	5AAPRLGG4035AH		P.W.BOARD ASSY	1	1	No	No	No	No	No	No	No	No
04-019	5AAPRLGG4035BH		P.W.BOARD ASSY	1	1	Yes	Yes	Yes	Yes	Yes		No	No
04-019	5AAPRLGR2006AH		P.W.BOARD ASSY	1	1	No	No	No	No	No		No	No
04-019	5AAPRLGR2006BH		P.W.BOARD ASSY	1	1	No	No	No	No	No		Yes	Yes
04-019	5AAPRLGR4003AH		P.W.BOARD ASSY	1	1	No	No	No	No	No		No	No
04-019	5AAPRLGR4003BH		P.W.BOARD ASSY	1	1	No	No	No	No	No		No	No
04-019	5AAPRLGR4003CH		P.W.BOARD ASSY	1	1	No	No	No	No	No		No	No
04-020	5AAEZ		SWITCHING REGULATOR	1	1	No	No	No	No	No	No	No	No
04-020	5AAEZ6700A*1		SWITCHING REGULATOR	1	1	No	No	No	No	No	No	No	No
04-020	5AAEZ6700A*2		SWITCHING REGULATOR	1	1	No	No	No	No	No	No	No	No
04-020	5AAEZ6700E*1		SWITCHING REGULATOR	1	1	No	No	No	No	No	No	Yes	No
04-020	5AAEZ6900E*1		SWITCHING REGULATOR	1	1	Yes	Yes	Yes	Yes	Yes	No	Yes	No
04-020	5AAEZ6950TW1		SWITCHING REGULATOR	1	1	No	No	No	No	No	Yes	No	No
04-020	5AAEZLS66J*1		SWITCHING REGULATOR	1	1	No	No	No	No	No	No	No	No
04-021	5AACCNQL6GEA		CONN. CORD ASSY		1	No	No	No	No	No		No	No
04-022	5AAPRCZR2006AH		P.W.BOARD ASSY	1	1	No	No	No	No	No	No	No	No
04-022	5AAPRCZR2006BH		P.W.BOARD ASSY	1	1	No	No	No	No	No	No	No	No
04-022	5AAPRCZR2006CH		P.W.BOARD ASSY	1	1	No	No	No	No	No	No	No	No
04-022	5AAPRCZR2006DH		P.W.BOARD ASSY	1	1	No	No	No	No	No	No	No	No
04-022	5AAPRCZR2006EH		P.W.BOARD ASSY	1	1	No	No	No	No	No	No	No	No
04-022	5AAPRCZR2006FH		P.W.BOARD ASSY	1	1	No	No	No	No	No	No	No	No
04-022	5AAPRCZR2006GH		P.W.BOARD ASSY	1	1	No	No	No	No	No	No	No	No
04-022	5AAPRCZR2006HH		P.W.BOARD ASSY	1	1	No	No	No	No	No	No	No	No
04-022	5AAPRCZR2006JH		P.W.BOARD ASSY	1	1	Yes	Yes	Yes	Yes	No	No	No	No
04-022	5AAPRCZR2006KH		P.W.BOARD ASSY	1	1	No	No	No	No	No	No	No	No
04-022	5AAPRCZR2006LH		P.W.BOARD ASSY	1	1	No	No	No	No	No	No	Yes	No
04-022	5AAPRCZR2006MH		P.W.BOARD ASSY	1	1	No	No	No	No	No	No	No	Yes
04-022	5AAPRCZR2006NH		P.W.BOARD ASSY	1	1	No	No	No	No	Yes	No	No	No
04-022	5AAPRCZR2006PH		P.W.BOARD ASSY	1	1	No	No	No	No	No	No	No	No
04-022	5AAPRCZR2006QH		P.W.BOARD ASSY	1	1	No	No	No	No	Yes	No	No	No

CONTROLLER BOX

2 OF 2

REF. NO.	PART CODE	PART CODE 1	DESCRIPTION	ISP	USED	FS-6900				CHP-6900	FS-6950	DP-2500	FS-6350	FS-6300	CHP-6300
						Germany	U.K.	France	Australia	Korea	Taiwan	MCE	Taiwan	S'pore	Korea
04-022	5AAPRCZR2006RH		P.W.BOARD ASSY	1	1	No	No	No	No	No	No	No	No	No	No
04-022	5AAPRCZR2006SH		P.W.BOARD ASSY	1	1	No	No	No	No	No	No	No	No	Yes	No
04-022	5AAPRCZR2006TH		P.W.BOARD ASSY	1	1	No	No	No	No	No	No	Yes	No	No	No
04-022	5AAPRCZR2006UH		P.W.BOARD ASSY	1	1	No	No	No	No	No	No	No	No	No	No
04-025	5EZNF2405002*01		FAN MOTOR	1	1	Yes	Yes	Yes	Yes	Yes	Yes	Yes	No	No	No
04-025	5EZNF2405003*01	5EZNF2405002*01	FAN MOTOR	1	1	No	No	No	No	No	No	No	Yes	Yes	Yes
04-026	5MVX842SH004		COVER CABLE		1	Yes	Yes	Yes	Yes	Yes	Yes	Yes	Yes	Yes	Yes
04-027	5AACCNQ9GGEA		CONN. CORD ASSY		1	Yes	Yes	Yes	Yes	Yes	Yes	Yes	Yes	Yes	Yes
04-029	5AACCNPT2GGEA		CONN. CORD ASSY		1	Yes	Yes	Yes	Yes	Yes	Yes	Yes	Yes	Yes	Yes
04-030	5AAPRMEG4019DH		P.W.BOARD ASSY	1	1	No	No	No	No	No	No		No	No	No
04-030	5AAPRMEG4019NH		P.W.BOARD ASSY	1	1	No	No	No	No	No	No		No	No	No
04-030	5AAPRMEG4019XH		P.W.BOARD ASSY	1	1	No	No	No	No	No	No		No	No	No
04-030	5AAPRMEG4019YH		P.W.B ASSY KP-610	1	1	Yes	Yes	Yes	Yes	Yes	Yes		No	No	No
04-030	5AAPRMEG4022CH		P.W.BOARD ASSY	1	1	No	No	No	No	No	No		No	No	No
04-030	5AAPRMEG4022DH		P.W.B ASSY KP-710	1	1	No	No	No	No	No	No		Yes	Yes	Yes



05

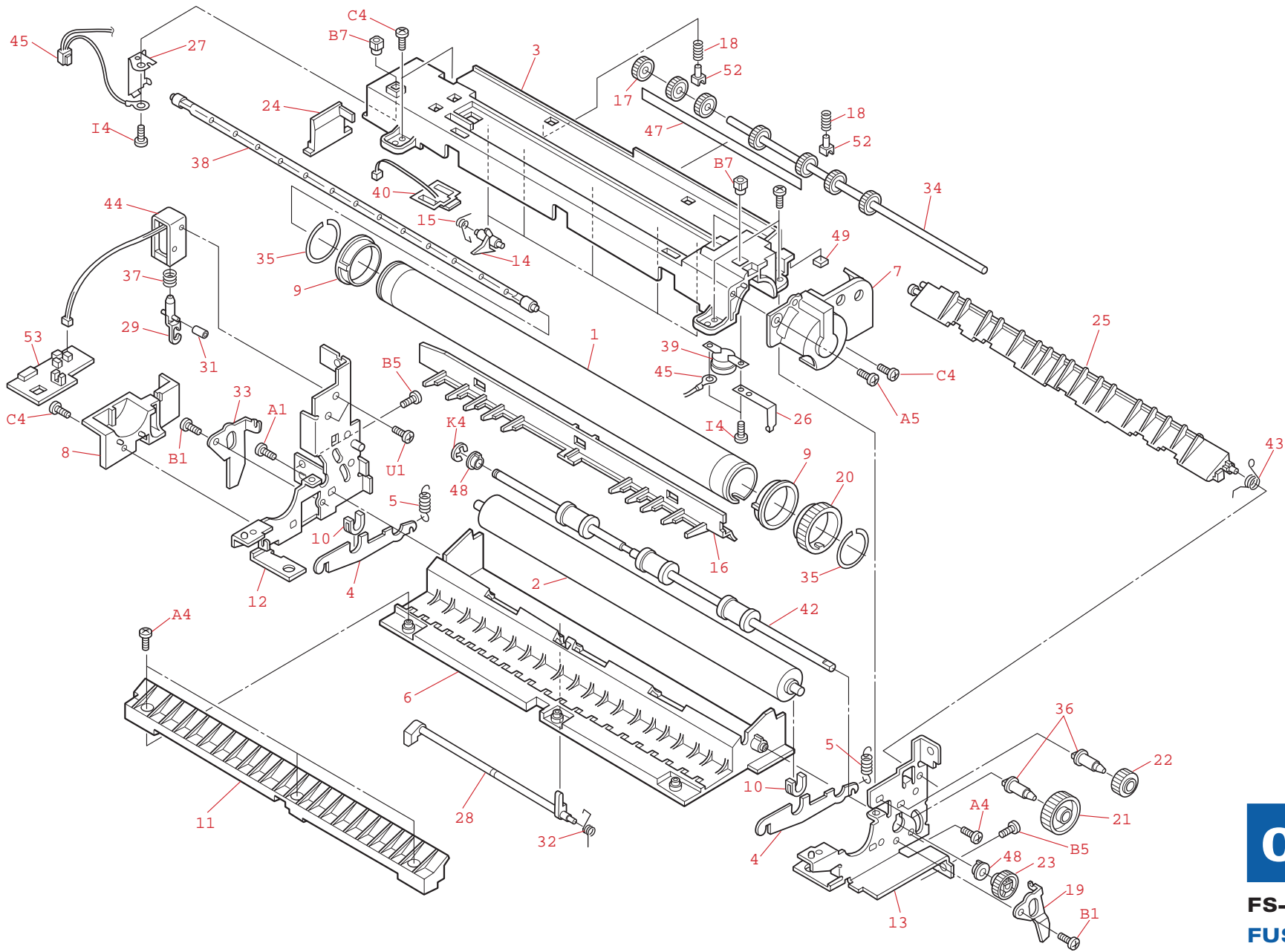
FS-6900
FEED/TRANSFER
UNIT

FEED/TRANSFER UNIT

REF. NO.	PART CODE	PART CODE 1	DESCRIPTION	ISP	USED	FS-6900		CHP-6900	FS-6950	DP-2500	FS-6350	FS-6300	CHP-6300	
						Germany	U.K.	France	Australia	Korea	Taiwan	MCE	Taiwan	S'pore
05-001	5MMT876SN058		ROLLER REGIST LOW	1	1	Yes	Yes	Yes	Yes	Yes	Yes	No	No	No
05-001	5MMT876SN070		ROLLER REGIST LOW B	1	1	No	No	No	No	No	No	Yes	Yes	Yes
05-002	5MMT876SN059		ROLLER REGIST UP	1	1	Yes	Yes	Yes	Yes	Yes	Yes	Yes	Yes	Yes
05-003	5MVG148DB032		GEAR REGIST Z24-Z32	1	1	Yes	Yes	Yes	Yes	Yes	Yes	Yes	Yes	Yes
05-004	5MVG137DB064		GEAR REGIST Z24	1	1	Yes	Yes	Yes	Yes	Yes	Yes	Yes	Yes	Yes
05-006	5MVM276DB011		BUSH REGIST A	1	2	Yes	Yes	Yes	Yes	Yes	Yes	Yes	Yes	Yes
05-007	5MMW172SX005		SPRING REGIST R	1	1	Yes	Yes	Yes	Yes	Yes	Yes	Yes	Yes	Yes
05-008	5MMW172LD008		SPRING REGIST L	1	1	Yes	Yes	Yes	Yes	Yes	Yes	Yes	Yes	Yes
05-009	5MVM176DN019		BUSH POM A		2	Yes	Yes	Yes	Yes	Yes	Yes	Yes	Yes	Yes
05-010	5MMT886SN016		ROLLER TRANSFER	1	1	No	No	No	No	No	No	No	No	No
05-010	5MMT886SN022		ROLLER TRANSFER	1	1	Yes	Yes	Yes	Yes	Yes	Yes	No	No	No
05-010	5MMT886SN024		ROLLER TRANSFER B	1	1	No	No	No	No	No	No	Yes	Yes	Yes
05-011	5MVG138DB064		GEAR TC Z25		1	Yes	Yes	Yes	Yes	Yes	Yes	No	No	No
05-012	5MVX331DB007		BUSH TRANSFER	1	2	No	No	No	No	No	No	No	No	No
05-012	5MVX331DB008		BUSH TRANSFER B		2	Yes	Yes	Yes	Yes	Yes	Yes	Yes	Yes	Yes
05-013	5MMW241SX004		SPRING TRANS L	1	1	Yes	Yes	Yes	Yes	Yes	Yes	Yes	Yes	Yes
05-014	5MMW241SX005		SPRING TRANS R	1	1	No	No	No	No	No	No	No	No	No
05-014	5MMW255LD002		SPRING BUSH		1	Yes	Yes	Yes	Yes	Yes	Yes	Yes	Yes	Yes
05-015	5MMW161LD039		SPRING HINGE L		1	Yes	Yes	Yes	Yes	Yes	Yes	Yes	Yes	Yes
05-016	5MVB832XB001		PAPER CHUTE		1	Yes	Yes	Yes	Yes	Yes	Yes	Yes	Yes	Yes
05-017	5MVX862SB004		GUID PAPER		1	Yes	Yes	Yes	Yes	Yes	Yes	Yes	Yes	Yes
05-018	5MVX721SB002		ACTUATOR FEED		1				Yes	Yes		Yes	Yes	Yes
05-019	5MVX743DB001		ACTUATOR EMPTY		1	Yes	Yes	Yes	Yes	Yes	Yes	Yes	Yes	Yes
05-020	5AAVR0LL*027		FEED ROLLER ASSY	1	1	Yes	Yes	Yes	Yes	Yes	Yes	No	No	No
05-020	5AAVR0LL*039		FEED ROLLER ASSY	1	1	No	No	No	No	No	No	Yes	Yes	Yes
05-021	5MVG137DB068		GEAR FEED Z24S		1	Yes	Yes	Yes	Yes	Yes	Yes	Yes	Yes	Yes
05-022	5MVM410DB001		HOLDER ROLLER FEED	1	1	Yes	Yes	Yes	Yes	Yes	Yes	Yes	Yes	Yes
05-023	5MVM177DW002		BUSH FEED		2	Yes	Yes	Yes	Yes	No	Yes	Yes	No	Yes
05-024	5MVM687DB001		ROLLER GUIDE		3	Yes	Yes	Yes	Yes	Yes	Yes	Yes	Yes	Yes
05-025	5MMT866SN027		SHAFT FEED		1	Yes	Yes	Yes	Yes	Yes	Yes	Yes	Yes	Yes
05-026	5MMT866SN029		SHAFT RELEASE		1	Yes	Yes	Yes	Yes	Yes	Yes	Yes	Yes	Yes
05-027	5MVX742DB001		LINK LOCK		1	Yes	Yes	Yes	Yes	Yes	Yes	Yes	Yes	Yes
05-028	5MMW161LD040		SPRING HINGE R		1	Yes	Yes	Yes	Yes	Yes	Yes	Yes	Yes	Yes
05-029	5MVX664SW002		LEVER LOCK	1	1	Yes	Yes	Yes	Yes	Yes	Yes	Yes	Yes	Yes
05-030	5MMX643LD003		PLATE EARTH TC		1	Yes	Yes	Yes	Yes	Yes	Yes	Yes	Yes	Yes
05-031	5MVG138DB060		GEAR IDLE Z26	1	2	Yes	Yes	Yes	Yes	Yes	Yes	Yes	Yes	Yes
05-032	5MVM121DB001		COLLAR JOINT		2	Yes	Yes	Yes	Yes	Yes	Yes	Yes	Yes	Yes
05-033	5MVX643DB004		GUIDE FEED B		1	Yes	Yes	Yes	Yes	Yes	Yes	Yes	Yes	Yes
05-034	5MVX643DN001		GUIDE PAPER FEED		2	Yes	Yes	Yes	Yes	Yes	Yes	Yes	Yes	Yes
05-035	5MMW241LD016		SPRING GUIDE		2	Yes	Yes	Yes	Yes	Yes	Yes	Yes	Yes	Yes
05-036	5MVS822KF010		SHEET REGIST		1	Yes	Yes	Yes	Yes	Yes	Yes	Yes	Yes	Yes
05-037	5AAY6500J*74		BRUSH DC ASSY	1	1	No	No	No	No	No	No	No	No	No
05-037	5AAYLS66J*47		BRUSH DC ASSY	1	1	Yes	Yes	Yes	Yes	Yes	Yes	Yes	Yes	Yes
05-038	5MVX332DB011		GUIDE FEED		2	Yes	Yes	Yes	Yes	Yes	Yes	Yes	Yes	Yes

FEED/TRANSFER UNIT
2 OF 2

REF. NO.	PART CODE	PART CODE 1	DESCRIPTION	ISP	USED	FS-6900		CHP-6900		FS-6950	DP-2500	FS-6350	FS-6300	CHP-6300
						Germany	U.K.	France	Australia	Korea	Taiwan	MCE	Taiwan	S'pore
05-040	5MMU862SD005		PLATE PAPER GUIDE		1	Yes	Yes	Yes	Yes	Yes	Yes	Yes	Yes	Yes
05-044	5MMS211AX001		SEAL ACTUATOR		2	Yes	Yes	Yes	Yes	Yes	Yes	Yes	Yes	Yes
05-050	5MVX333DN002		CAM M/P B		1	Yes	Yes	Yes	Yes	Yes	Yes	Yes	Yes	Yes
05-051	5MMW461SC001		SPRING M/P BOTTOM		1	Yes	Yes	Yes	Yes	Yes	Yes	Yes	Yes	Yes
05-052	5MVX322SB019		BRACKET BOTTOM		1	Yes	Yes	Yes	Yes	Yes	Yes	Yes	Yes	Yes
05-053	5MVS517XF002		PAD BOTTOM		1	Yes	Yes	Yes	Yes	Yes	Yes	Yes	Yes	Yes
05-054	5MMZ721SD001		PLATE EARTH M/P		1	Yes	Yes	Yes	Yes	Yes	Yes	Yes	Yes	Yes
05-055	5MML443LD002		PLATE EARTH FEED		1	Yes	Yes	Yes	Yes	Yes	Yes	Yes	Yes	Yes
05-056	5MMW361LD013		SPRING SEPARATOR		1	Yes	Yes	Yes	Yes	Yes	Yes	Yes	Yes	Yes
05-057	5MMU851SC001		BOTTOM M/P		1	Yes	Yes	Yes	Yes	Yes	Yes	Yes	Yes	Yes
05-058	5MMW671SC001		SPRING BOTTOM M/P		1	Yes	Yes	Yes	Yes	Yes	Yes	Yes	Yes	Yes
05-060	5MVM176DB008		BUSHING STOP	1	2	No	No	No	Yes	Yes	No	No	No	Yes
05-064	5MMW261LD022		SPRING FUSER		1	Yes	Yes	Yes	Yes	Yes	Yes	Yes	Yes	Yes
05-065	5MVX532DB005		LOCK M/P		1	Yes	Yes	Yes	Yes	Yes	Yes	Yes	Yes	Yes
05-066	5MVX421DB007		HINGE LOCK L	1	1	Yes	Yes	Yes	Yes	Yes	Yes	Yes	Yes	Yes
05-068	5MVVL761WN41		LABEL CAUTION FE		1	Yes	Yes	Yes	Yes	No	No	Yes	No	No
05-A01	5AAYLS66J*09		BASE FEED ASSY		1					No	No		No	No
05-A03	5AAYLS66J*40		SEPARATOR M/P ASSY		1	Yes	Yes	Yes	Yes	Yes	Yes	Yes	Yes	Yes



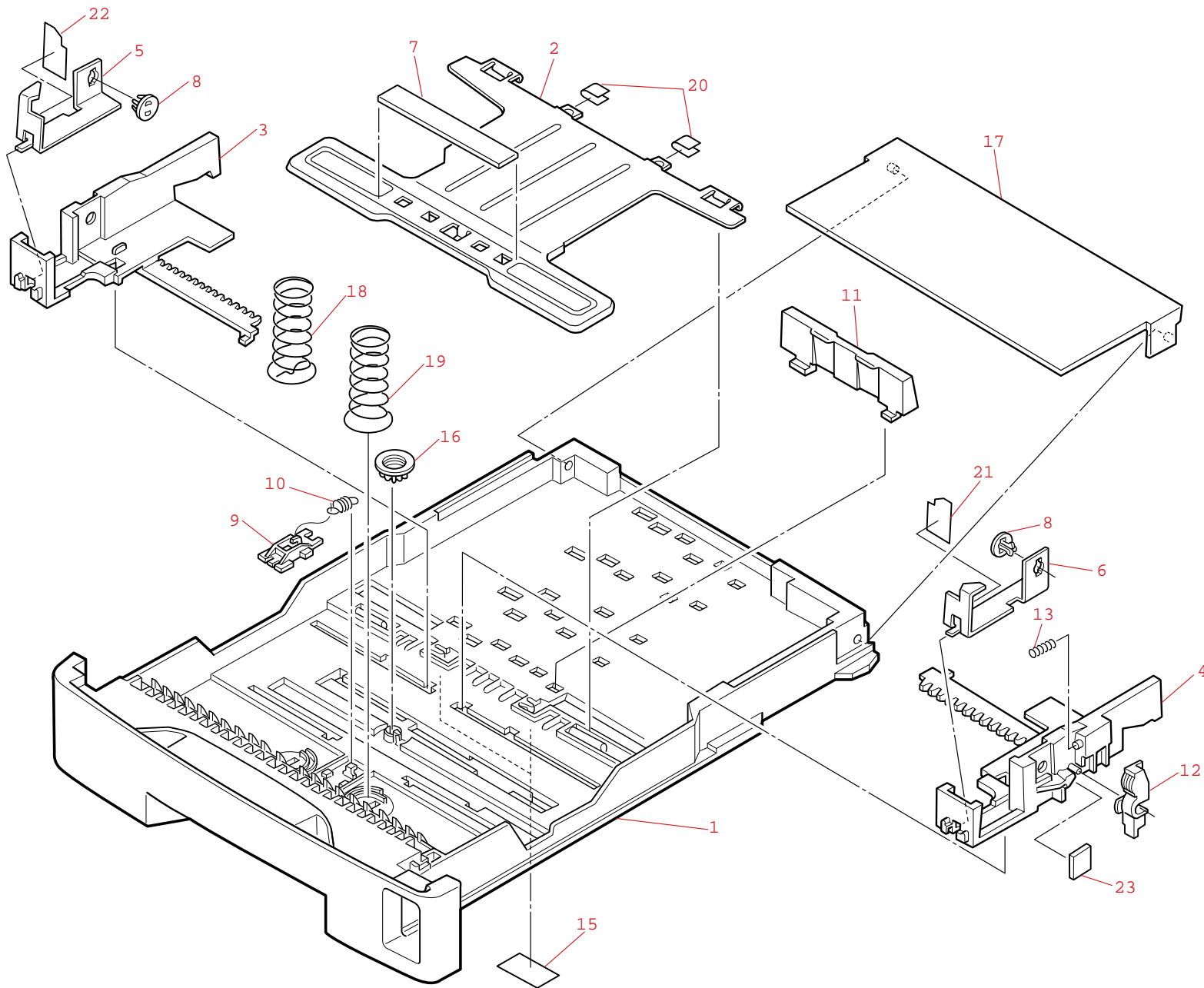
06

**FS-6900
FUSER UNIT**

FUSER UNIT

1 OF 1

REF. NO.	PART CODE	PART CODE 1	DESCRIPTION	ISP	USED	FS-6900		CHP-6900		FS-6950	DP-2500	FS-6350	FS-6300	CHP-6300
						Germany	U.K.	France	Australia	Korea	Taiwan	MCE	Taiwan	S'pore
06-020	5MVG158XN003		GEAR HEAT Z46		1	Yes	Yes	Yes	Yes	Yes	Yes	No	Yes	Yes
06-021	5MVG148XN005		GEAR JOINT Z36		1	Yes	Yes	Yes	Yes	Yes	Yes	No	Yes	Yes
06-022	5MVG127DW004		GEAR IDLE Z16		1	Yes	Yes	Yes	Yes	Yes	Yes	Yes	Yes	Yes
06-023	5MVG137DW002		GEAR EXIT Z21		1	Yes	Yes	Yes	Yes	Yes	Yes	Yes	Yes	Yes
06-038	5EZPB1015020601		LAMP HEATER	1	1	No	No	No	No	No		No	No	No
06-038	5EZPB1018020601		LAMP HEATER 100V	1	1	No	No	No	No	No		No	No	No
06-038	5EZPB1216720104		LAMP HEATER 120V	1	1	No	No	No	No	Yes		No	No	No
06-038	5EZPB1214220501		LAMP HEATER 120V	1	1	No	No	No	No	No		Yes	No	No
06-038	5EZPB2413320104		LAMP HEATER 240V	1	1	Yes	Yes	Yes	Yes	Yes	No	Yes	No	No
06-038	5EZPB241212		LAMP HEATER 240V	1	1	No	No	No	No	No		No	No	Yes
06-038	5EZPB241		LAMP HEATER 240V	1	1	No	No	No	No	No		No	Yes	No
06-039	5EYFFQ17501Q*01		THERMOSTAT 250V175°C		1	Yes	Yes	Yes	Yes	Yes	Yes	Yes	Yes	Yes
06-040	5AAXTM012GEA		THERMISTOR ASSY		1	Yes	Yes	Yes		Yes	Yes	Yes	Yes	Yes
06-044	5EZSA2401020307		SOLENOID TDS-KN07A		1	Yes	Yes	Yes	Yes	Yes	Yes	Yes	Yes	Yes
06-045	5AACCNQM1GEA		CONN. CORD ASSY		1					No	No		No	No
06-045	5AACCNQS0GEA		CONN. CORD ASSY		1	Yes	Yes	Yes	Yes	Yes	No	Yes	No	Yes
06-045	5AACCNQS1GEA		CONN. CORD ASSY		1					No	Yes		Yes	No



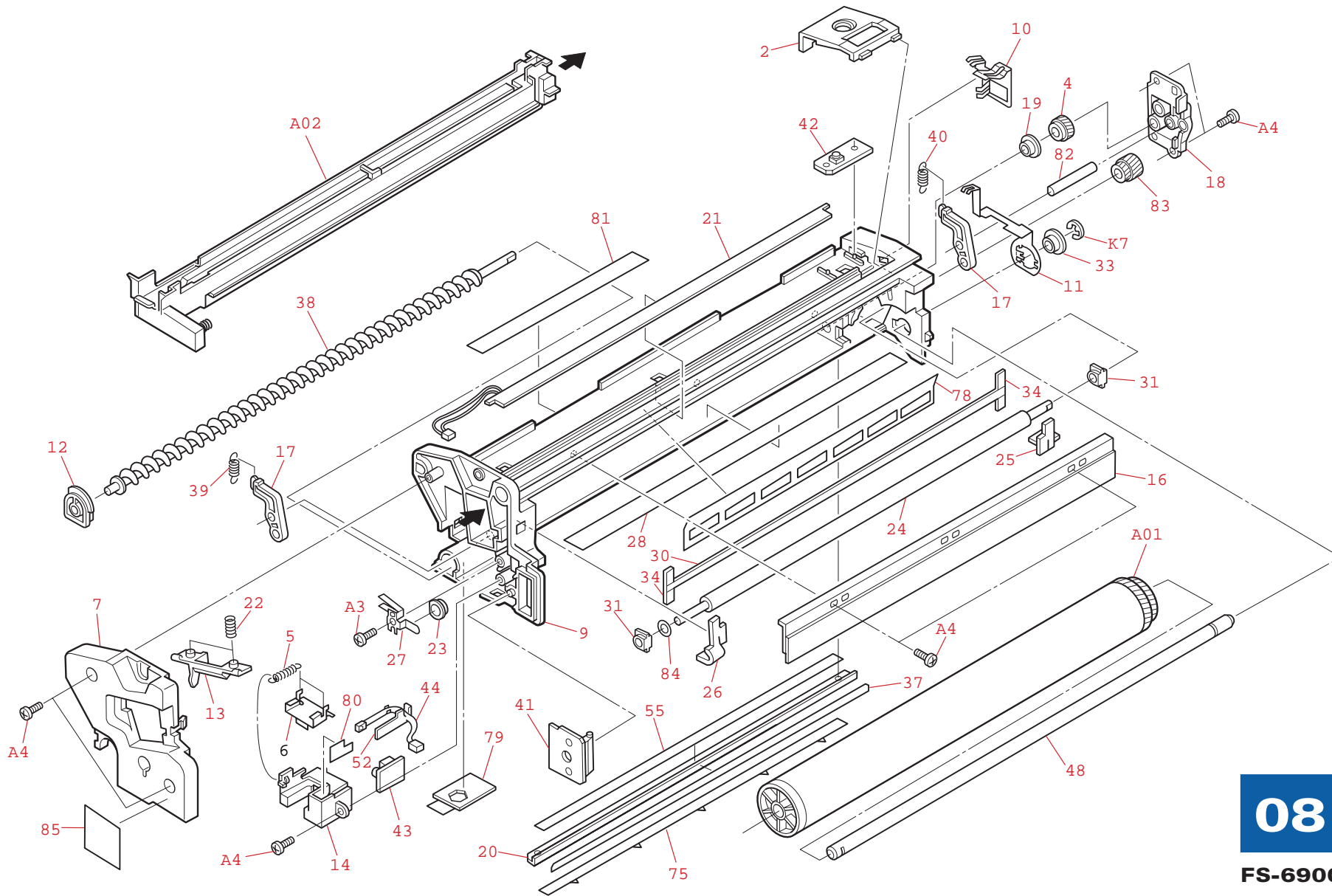
07

FS-6900
PAPER CASSETTE

PAPER CASSETTE

1 OF 1

REF. NO.	PART CODE	PART CODE 1	DESCRIPTION	ISP	USED	FS-6900		CHP-6900		FS-6950	DP-2500	FS-6350	FS-6300	CHP-6300
						Germany	U.K.	France	Australia	Korea	Taiwan	MCE	Taiwan	S'pore
07-001	5MVB995SH001		BASE CASSETTE		1	Yes	Yes	Yes	Yes	Yes	Yes	Yes	Yes	Yes
07-002	5MMX882SD001		BOTTOM CASSETTE		1	Yes	Yes	Yes	Yes	Yes	Yes	Yes	Yes	Yes
07-003	5MVX775SH008		GUIDE CASSETTE L		1	Yes	Yes	Yes	Yes	Yes	Yes	Yes	Yes	Yes
07-004	5MVX775SH007		GUIDE CASSETTE R		1	Yes	Yes	Yes	Yes	Yes	Yes	Yes	Yes	Yes
07-005	5MML634SW002		NAIL L		1	Yes	Yes	Yes	Yes	Yes	Yes	Yes	Yes	Yes
07-006	5MML634SW001		NAIL R		1	Yes	Yes	Yes	Yes	Yes	Yes	Yes	Yes	Yes
07-007	5MVS726XN001		PAD SEPARATOR		1	Yes	Yes	Yes	Yes	Yes	Yes	Yes	Yes	Yes
07-008	5MVM176DN025		PIN NAIL		2	Yes	Yes	Yes	Yes	Yes	Yes	Yes	Yes	Yes
07-009	5MVX421DW001		LOCK BOTTOM		1	Yes	Yes	Yes	Yes	Yes	Yes	Yes	Yes	Yes
07-010	5MMW411LD002		SP STOPPER BOTTOM		1	Yes	Yes	Yes	Yes	Yes	Yes	Yes	Yes	Yes
07-011	5MVB742SH003		STOPPER CASS SIZE		1	Yes	Yes	Yes	Yes	Yes	Yes	Yes	Yes	Yes
07-012	5MVX521SH002		LEVER LOCK		1	Yes	Yes	Yes	Yes	Yes	Yes	Yes	Yes	Yes
07-013	5MMW251LD031		SPRING LEVER SIDE		1	Yes	Yes	Yes	Yes	Yes	Yes	Yes	Yes	Yes
07-016	5MVG127DH002		GEAR GUIDE SIDE		1	Yes	Yes	Yes	Yes	Yes	Yes	Yes	Yes	Yes
07-017	5MVB873SH027		LID CASSETTE		1	Yes	Yes	Yes	Yes	Yes	Yes	Yes	Yes	Yes
07-018	5MMW681LD003		SPRING CASSETTE L		1	Yes	Yes	Yes	Yes	Yes	Yes	Yes	Yes	Yes
07-019	5MMW681LD004		SPRING CASSETTE R		1	Yes	Yes	Yes	Yes	Yes	Yes	Yes	Yes	Yes
07-020	5MVS321KF039		SHEET PLATE BOTTOM		2	Yes	Yes	Yes	Yes	Yes	Yes	Yes	Yes	Yes
07-021	5MVS432KF006		SHEET NAIL L		1	Yes	Yes	Yes	Yes	Yes	Yes	Yes	Yes	Yes
07-022	5MVS432KF007		SHEET NAIL R		1	Yes	Yes	Yes	Yes	Yes	Yes	Yes	Yes	Yes
07-023	5MVS432KF005		SHEET GUIDE		1	Yes	Yes	Yes	Yes	Yes	Yes	Yes	Yes	Yes



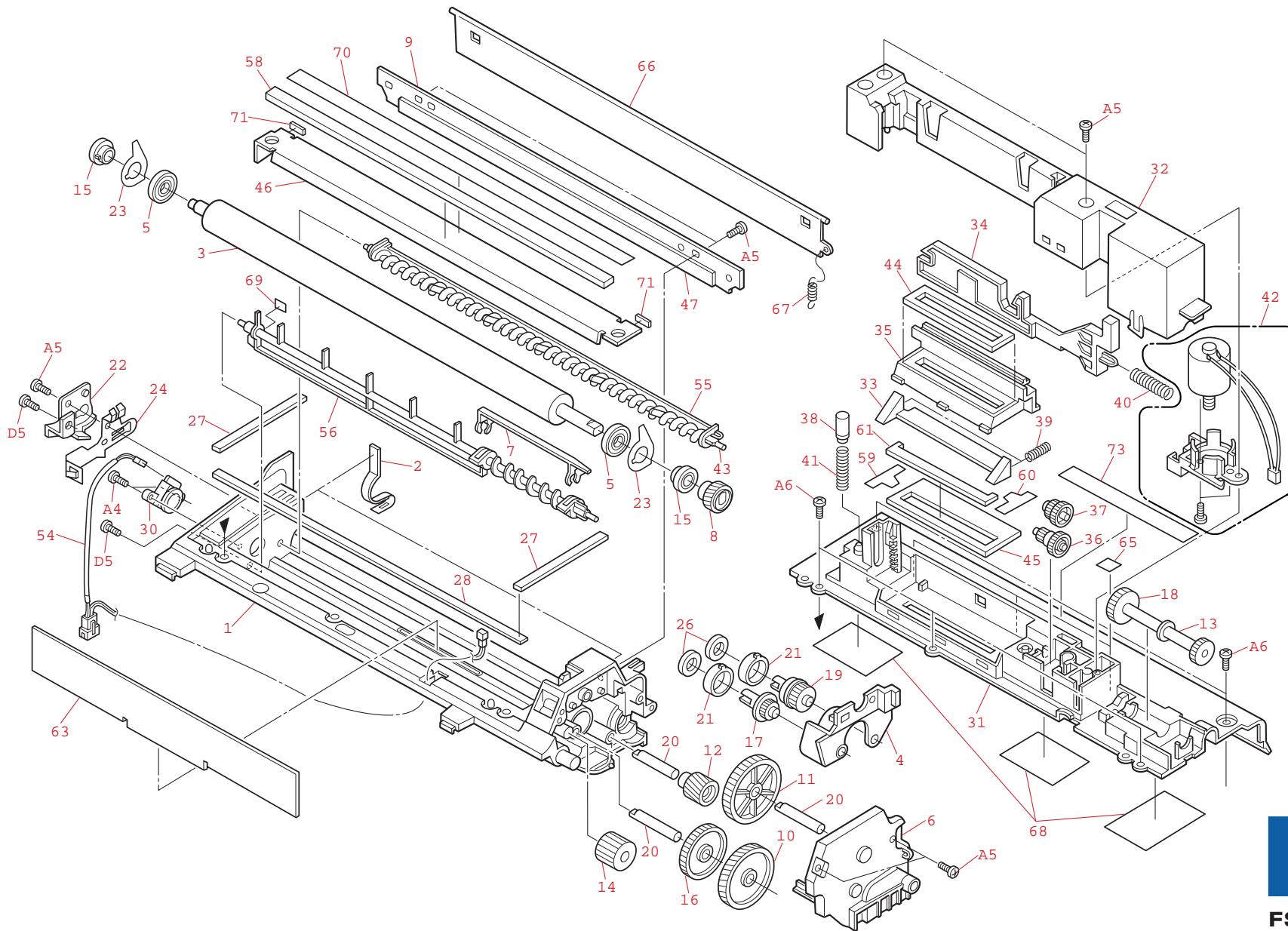
08

FS-6900
DRUM UNIT

DRUM UNIT

1 OF 1

REF. NO.	PART CODE	PART CODE 1	DESCRIPTION	ISP	USED	REF. NO.										
						Germany	U.K.	France	Australia	Korea	Taiwan	MCE	Taiwan	S'pore	Korea	
08-A02	5AAYLS66J*18		MCH ASSY	1	1	Yes	Yes	Yes	Yes	Yes	Yes	Yes	Yes	Yes	Yes	Yes
08-016	5AAVBLADE029		BLADE ASSY		1	Yes	Yes	Yes	Yes	Yes	Yes	Yes	Yes	No	No	No
08-016	5AAVBLADE033		BLADE ASSY		1	No	No	No	No	No	No		Yes	Yes	Yes	
08-A02	5AAY6700E*10		MAIN CHAGER UNIT		1						No	No		No	No	No



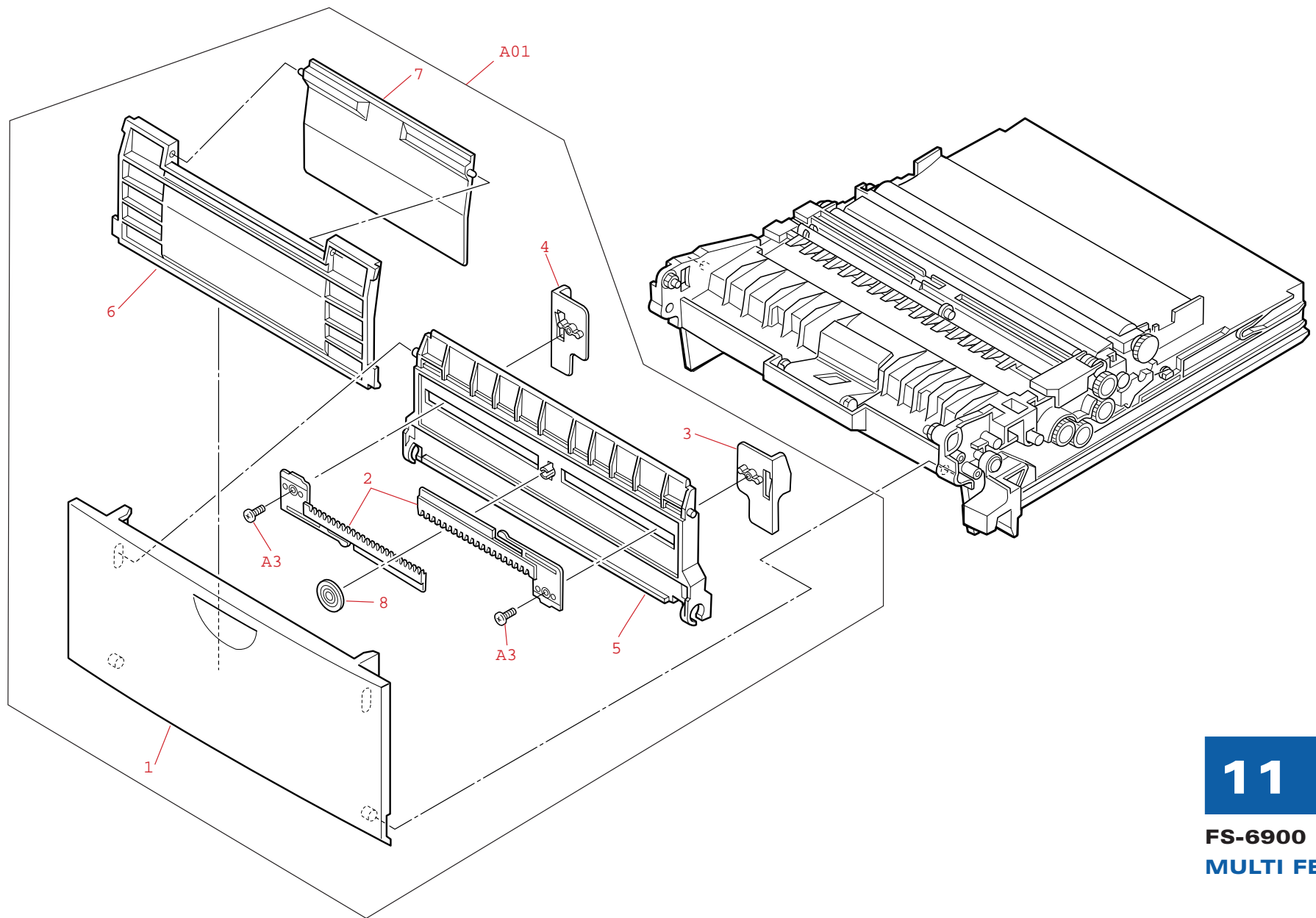
10

**FS-6900
DEVELOPER UNIT**

DEVELOPER UNIT

1 OF 1

REF. NO.	PART CODE	PART CODE 1	DESCRIPTION	ISP	USED	FS-6900		CHP-6900	FS-6950	DP-2500	FS-6350	FS-6300	CHP-6300
						Germany	U.K.	France	Australia	Korea	Taiwan	MCE	Taiwan
10-036	5MVG026DN001		WORM WHEEL H26-Z14		1	Yes	Yes	Yes	Yes	Yes	Yes	Yes	Yes
10-037	5MVG137DB056		GEAR IDLE Z30-Z15		1	Yes	Yes	Yes	Yes	Yes	Yes	Yes	Yes
10-042	5AAY1700E*38		TONER MOTOR ASSY		1	Yes	Yes	Yes	Yes	Yes		Yes	Yes
10-054	5AACCNPS2GEA		CONN. CORD ASSY		1	Yes	Yes	Yes	Yes	Yes	Yes	Yes	Yes



11

FS-6900
MULTI FEED UNIT

MULTI FEED UNIT

1 OF 1

REF. NO.	PART CODE	PART CODE 1	DESCRIPTION	ISP	USED	FS-6900		CHP-6900	FS-6950	DP-2500	FS-6350	FS-6300	CHP-6300	
						Germany	U.K.	France	Australia	Korea	Taiwan	MCE	Taiwan	S'pore
11-001	5MVB873SH026		COVER M/P		1	Yes	Yes	Yes	Yes	Yes	Yes	Yes	Yes	Yes
11-002	5MVS748SH004		RACK M/P		2	Yes	Yes	Yes	Yes	Yes	Yes	Yes	Yes	Yes
11-003	5MVX652SH002		GUIDE M/P R		1	Yes	Yes	Yes	Yes	Yes	Yes	Yes	Yes	Yes
11-004	5MVX652SH003		GUIDE M/P L		1	Yes	Yes	Yes	Yes	Yes	Yes	Yes	Yes	Yes
11-005	5MVX872SH003		TRAY M/P A		1	Yes	Yes	Yes	Yes	Yes	Yes	Yes	Yes	Yes
11-006	5MVB872SH017		TRAY M/P B		1	Yes	Yes	Yes	Yes	Yes	Yes	Yes	Yes	Yes
11-007	5MVS771SH001		TRAY M/P C		1	Yes	Yes	Yes	Yes	Yes	Yes	Yes	Yes	Yes
11-008	5MVG127DN053		GEAR M/P		1	Yes	Yes	Yes	Yes	Yes	Yes	Yes	Yes	Yes
11-A01	5AAVC0VER213		M/P COVER ASSY	1	1	No	No	No	No	No		No	No	No
11-A01	5AAVC0VER214		M/P COVER ASSY	1	1	Yes	Yes	Yes	Yes	Yes	Yes	Yes	Yes	Yes