

## GENERAL PARTS LIST FOR MODEL 7000 SERIES

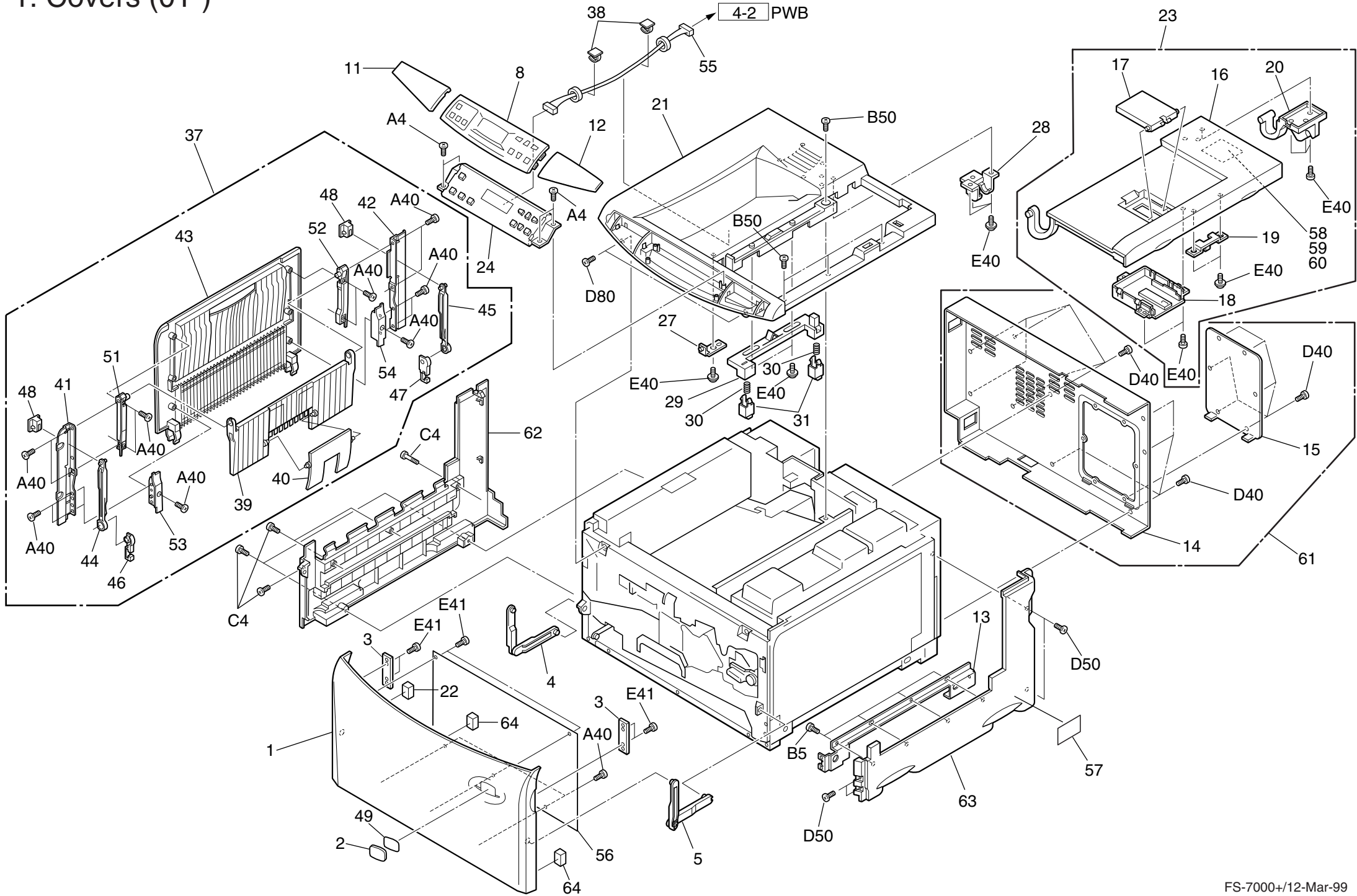
Rev.6.00 99.04.06.

1. The Ref. no's corresponds to the same numbers in the exploded diagram on the subsequent pages.
2. The availability for ISP (Initially-Supplied Parts) differs depending on the destination. For details, refer to the ISP List supplied specifically by Kyocera.
3. Those parts bearing numbers in the diagram but not listed in the catalogue are not suppliable as a general supply part.
4. Dates are indicated as *yy.mm.dd*.

REF.NO	PART CODE	DESCRIPTION	ISP	USED	FS-7000+					NOTE
					KEE	KEU	KEF	KEA	KEI	
	5PLPZYJAJK9	DK-30 (J) DRUM UNIT	1	1	-	-	-	-	-	
	5PLPZYHAPKE	DK-30 DRUM UNIT	1	1	-	-	-	-	-	98.08.07./99.04.05 REVISED Yes ->
	5PLPX08AJMT	DK-30 DRUM UNIT	1	1	No	No	No	No	No	99.04.05. ADDED
	5PLPZ2TAJK9	DK-33 (J) DRUM UNIT	1	1	No	No	No	No	No	
	5PLPX05AJMT	DK-33 DRUM UNIT								
	5PLPZ0QAPKX	DK-33 DRUM UNIT	1	1	Yes	Yes	Yes	Yes	Yes	
	5PLPX10AJMT	DK-35 DRUM UNIT		1						
	5PLPZ4NAJK9	DK-35 J DRUM UNIT								
	5PLPZ4QAPKX	DR-30C DRIVE C ASSY	1	1	Yes	Yes	Yes	Yes	Yes	98.11.27. ADDED
	5PLPZ9QAPKX	DR-33A DRIVE A ASSY	1	1	-	-	-	-	-	98.11.27./99.02.15. REVISED Yes ->
	5PLPZ9QAPKX	DR-33A DRIVE A ASSY								
	5PLPZ2RAPKX	DR-35A DRIVE A ASSY	1	1	Yes	Yes	Yes	Yes	Yes	98.11.27./99.02.15. REVISED Yes ->
	5PLPZ2RAPKX	DR-35A DRIVE A ASSY		1						
	5PLPZ7QAPKX	DR-35B DRIVE B ASSY	1	1	Yes	Yes	Yes	Yes	Yes	
	5AAAY9000E*22	DRIVE A ASSY								
	5AAAY9000E*23	DRIVE B ASSY		1						
	5AAAY7000E*37	DRIVE C ASSY								
	5AAAY9000E*24	DRIVE C ASSY		1						
	5PLPZYSAJK9	DV-30 (J) DEVELOPER UNIT	1	1	-	-	-	-	-	
	5PLPZYRAPKE	DV-30 DEVELOPER UNIT	1	1	-	-	-	-	-	99.04.05. REVISED Yes ->
	5PLPX09AJMT	DV-30 DEVELOPER UNIT		1	No	No	No	No	No	99.04.05. ADDED
	5PLPZ2NAJK9	DV-35 (J) DEVELOPER UNIT	1	1	No	No	No	No	No	
	5PLPX02AJMT	DV-35 DEVELOPER UNIT		1						
	5PLPZ1NAEKX	DV-35 DEVELOPER UNIT	1	1	Yes	Yes	Yes	Yes	Yes	
	5PLPZ2NAJK9	DV-35 J DEVELOPER UNIT								
	5PLPZ0RAPKX	FE-30 FEED TRANS UNIT	1	1	-	-	-	-	-	98.11.27./99.04.05. REVISED Yes ->
	5PLPX04AJMT	FE-30 FEED TRANS UNIT	1	1	No	No	No	No	No	99.04.05. ADDED
	5PLPX30AJMT	FE-33 FEED UNIT								
	5PLPZ2SAJK9	FE-35 (J) FEED TRANS UNIT	1	1	-	-	-	-	-	
	5PLPZ1RAPKX	FE-35 FEED TRANS UNIT	1	1	Yes	Yes	Yes	Yes	Yes	98.11.27. ADDED

REF.NO	PART CODE	DESCRIPTION	ISP	USED	FS-7000+					NOTE
					KEE	KEU	KEF	KEA	KEI	
	5PLPX03AJMT	FE-35 FEED UNIT								
	5PLPZ2SAJK9	FE-35 J FEED UNIT								
	5PLPZYAPKE	FK-30 (E) FUSER UNIT	1	1	Yes	Yes	Yes	Yes	No	
	5PLPZYMAJK9	FK-30 (J) FUSER UNIT	1	1	No	No	No	No	No	
	5PLPZYQAAK1	FK-30 (U) FUSER UNIT	1	1	No	No	No	No	Yes	
	5PLPX06AJMT	FK-30 FUSER UNIT	1	1	No	No	No	No	No	99.04.05. REVISED
	5PLPZ7NAJK9	FK-35 J FUSER UNIT								
	5PLPX29AJMT	FK-35 U FUSER UNIT								
	5PLPZYKAPKE	LK-30 SCANNER UNIT	1	1	Yes	Yes	Yes	Yes	Yes	98.08.11.
	5PLPZ5NAEK9	LK-35 SCANNER UNIT	1	1						
	5PLPZ3AAJK9	TR-30 (J) TRANSFER UNIT	1	1	-	-	-	-	-	98.06.29
	5PLPX07AJMT	TR-30 TRANSFER UNIT	1	1						
	5PLPZYNAPKE	TR-30 TRANSFER UNIT	1	1	-	-	-	-	-	
	5PLPZ7PAJK9	TR-35 (J) TRANSFER UNIT	1	1	No	No	No	No	No	
	5PLPZ7PAJK9	TR-35 J TRANSFER UNIT								
	5PLPZ6NAEKX	TR-35 TRANSFER UNIT	1	1	Yes	Yes	Yes	Yes	Yes	
	5AAAY7000E*68	WASTE TONER CONVEYER	1	1	Yes	Yes	Yes	Yes	Yes	
	5AAAY7000J*13	WASTE TONER CONVEYER	1	1	No	No	No	No	No	
	5AAAY7000MT18	WASTE TONER CONVEYER	1	1	No	No	No	No	No	

# 1. Covers (01-)

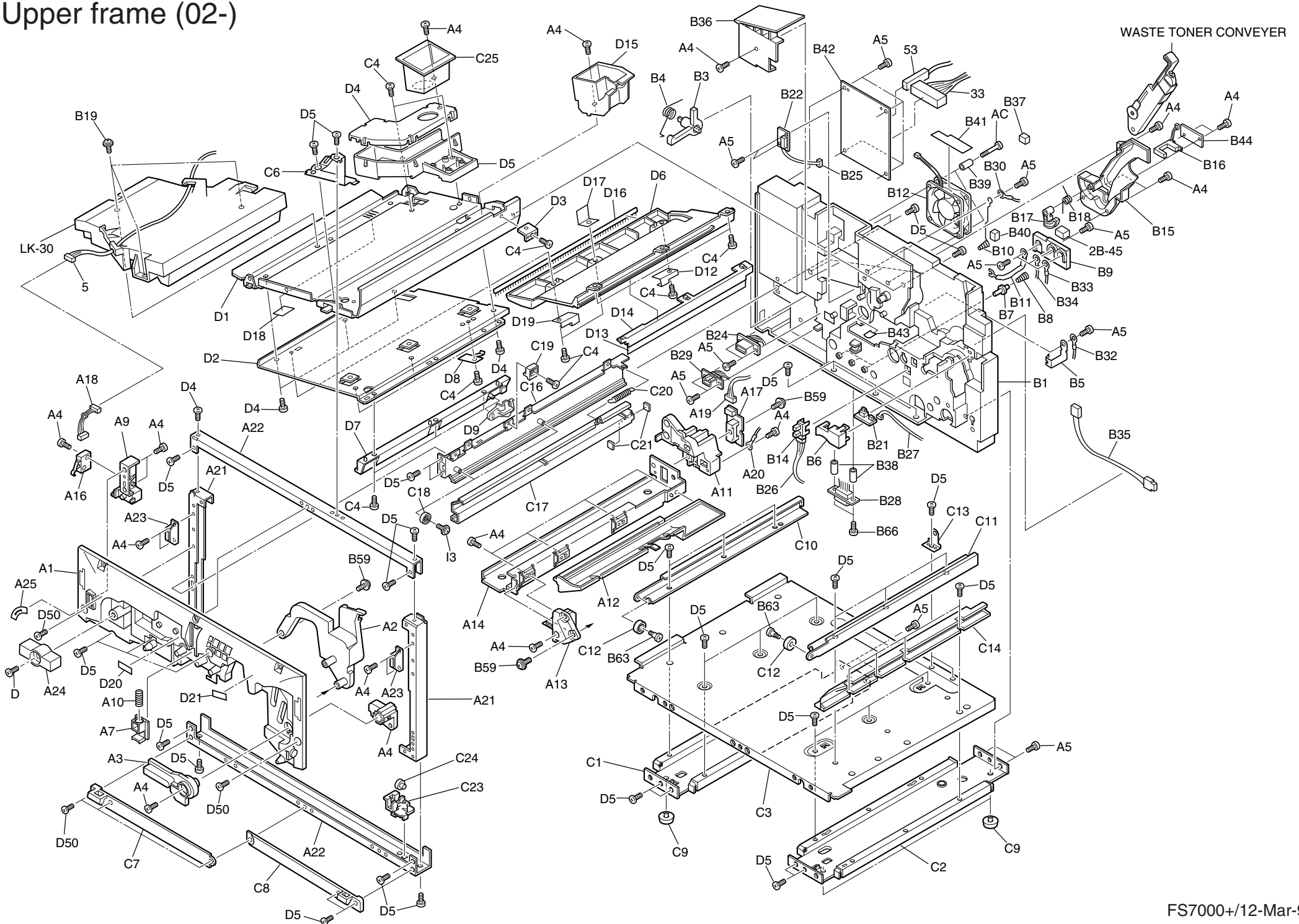


REF.NO	PART CODE	DESCRIPTION	ISP	USED	FS-7000+					NOTE
					KEE	KEU	KEF	KEA	KEI	
01-001	5MVB996SH005	COVER FRONT		1	Yes	Yes	Yes	Yes	Yes	98.11.20. REVISED
01-001	5MVB996SH007	COVER FRONT		1	No	No	No	No	No	98.11.20. REVISED
01-001	5MVB996SH010	COVER FRONT		1	No	No	No	No	No	99.03.29. ADDED
01-002	5MVS428AM001	PLATE ECOSYS		1	Yes	Yes	Yes	Yes	No	99.02.25. REVISED Yes ->
01-002	5MVS428AM002	PLATE ECOSYS J		1	No	No	No	No	Yes	99.02.25. REVISED No ->
01-002	5MVS428AM003	PLATE NAME		1	No	No	No	No	No	99.02.25. ADDED
01-002	5MVS428AM004	PLATE ECOSYS		1	No	No	No	No	No	99.02.25. ADDED
01-002	5MVS428AM005	PLATE ECOSYS J		1	No	No	No	No	No	99.02.25. ADDED
01-002	5MVS428AM006	PLATE NAME RC		1	No	No	No	No	No	99.02.25. ADDED
01-002	5MVS428AM007	PLATE LEG		1	No	No	No	No	No	99.02.25. ADDED
01-003	5MMS627SW001	PLATE MAGNET CATCH		2	Yes	Yes	Yes	Yes	Yes	
01-004	5AAY7000E*54	HINGE FRONT L ASSY	1	1	Yes	Yes	Yes	Yes	Yes	
01-005	5AAY7000E*55	HINGE FRONT R ASSY	1	1	Yes	Yes	Yes	Yes	Yes	
01-008	5AAY70+E**08	COVER PANEL E ASSY	1	1	Yes	Yes	Yes	Yes	Yes	
01-008	5AAY70+E**09	COVER PANEL G ASSY	1	1	Yes	Yes	Yes	Yes	Yes	
01-008	5AAY70+E**10	COVER PANEL F ASSY	1	1	Yes	Yes	Yes	Yes	Yes	
01-008	5AAY70+E**11	COVER PANEL S ASSY	1	1	Yes	Yes	Yes	Yes	Yes	
01-008	5AAY70+E**12	COVER PANEL I ASSY	1	1	Yes	Yes	Yes	Yes	Yes	
01-008	5AAY70+E**13	COVER PANEL D ASSY	1	1	Yes	Yes	Yes	Yes	Yes	
01-008	5AAY70+LE*05	COVER PANEL LEG ASSY	1	1					No	
01-008	5AAY7000E*59	COVER PANEL E ASSY	1	1	No	No	No	No	No	
01-008	5AAY7000E*60	COVER PANEL G ASSY	1	1	No	No	No	No	No	
01-008	5AAY7000E*61	COVER PANEL F ASSY	1	1	No	No	No	No	No	
01-008	5AAY7000E*62	COVER PANEL S ASSY	1	1	No	No	No	No	No	
01-008	5AAY7000E*63	COVER PANEL I ASSY	1	1	No	No	No	No	No	
01-008	5AAY7000E*64	COVER PANEL D ASSY	1	1	No	No	No	No	No	
01-008	5AAY7000J*10	COVER PANEL J ASSY	1	1	No	No	No	No	No	
01-008	5AAY7000MT06	COVER PANEL MT ASSY	1	1	No	No	No	No	No	
01-008	5AAY9000J*07	COVER PANEL J ASSY	1	1	No	No	No	No	No	
01-011	5MVX755SH001	COVER PANEL L		1	No	No	No	No	No	
01-011	5MVX755SH003	COVER PANEL LJ		1	No	No	No	No	No	
01-011	5MVX755SH006	COVER PANEL L		1	Yes	Yes	Yes	Yes	Yes	
01-012	5MVX755SH002	COVER PANEL R		1	Yes	Yes	Yes	Yes	Yes	
01-013	5AAVBRCKT057	BKT RIGHT ASSY		1	Yes	Yes	Yes	Yes	Yes	
01-014	5MMB986SM003	COVER REAR		1	No	No	No	No	No	
01-014	5MMB986SM004	COVER REAR		1	Yes	Yes	Yes	Yes	Yes	
01-015	5MML782SM001	COVER MAIN		1	Yes	Yes	Yes	Yes	Yes	
01-017	5MVB661SH005	STOPPER PAPER	1	1	No	No	No	No	No	
01-018	5MVB772SH009	COVER STOPPER		1	No	No	No	No	No	
01-019	5MVX621DW002	LOCK COVER		1	No	No	No	No	No	

REF.NO	PART CODE	DESCRIPTION	ISP	USED	FS-7000+					NOTE
					KEE	KEU	KEF	KEA	KEI	
01-020	5MVX664DH001	PLATE TOWER		1	No	No	No	No	No	
01-021	5MVX997SH001	COVER TOP		1	Yes	Yes	Yes	Yes	Yes	
01-022	5MVQ222RB006	RUBBER FRONT B		1	No	No	No	No	No	
01-023	5AAVC0VER185	LID TOP ASSY		1	No	No	No	No	No	98.10.12. ADDED
01-023	5AAVC0VER191	LID TOP J ASSY		1	No	No	No	No	No	98.10.12. REVISED Yes,No -> -
01-023	5AAVC0VER199	LID TOP J ASSY		1	No	No	No	No	No	98.10.12. REVISED Yes -> No,No -> Yes
01-023	5AAVC0VER225	LID TOP ASSY		1	Yes	Yes	Yes	Yes	Yes	
01-024	5AAY7000E*28	KEY BOARD ASSY	1	1	No	No	No	No	No	
01-024	5AAY9000E*13	KEY BOARD ASSY	1	1	Yes	Yes	Yes	Yes	Yes	
01-025	5MMX761SL003	BRACKET FAN		1	No	No	No	No	No	
01-026	5EZN2402501*03	FAN MOTOR	1	1	Yes	Yes	Yes	Yes	Yes	
01-027	5MVX421DH003	LOCK LID TOP F		1	Yes	Yes	Yes	Yes	Yes	
01-028	5MVX643DH001	LOCK LID TOP R		1	Yes	Yes	Yes	Yes	Yes	
01-029	5MVX853DG001	LEVER TOP		1	Yes	Yes	Yes	Yes	Yes	
01-030	5MMW465LD001	SPRING CONT A		2	Yes	Yes	Yes	Yes	Yes	
01-031	5MVB322DB001	PUSH CONTAIN		2	Yes	Yes	Yes	Yes	Yes	
01-037	5AAVTRAY*012	TRAY FU ASSY	1	1	Yes	Yes	Yes	Yes	Yes	98.01.22
01-038	5MMX321SM001	CORD KEEP		2	Yes	Yes	Yes	Yes	Yes	
01-039	5MVX872SW001	TRAY FU B		1	Yes	Yes	Yes	Yes	Yes	
01-040	5MVX761SW001	TRAY FU C		1	Yes	Yes	Yes	Yes	Yes	
01-041	5MMX842SN002	PLATE TRAY F		1	Yes	Yes	Yes	Yes	Yes	
01-042	5MMX842SN003	PLATE TRAY R		1	Yes	Yes	Yes	Yes	Yes	
01-043	5MVX883SW001	TRAY FU A		1	Yes	Yes	Yes	Yes	Yes	
01-044	5MVX721CW001	LINK FU F		1	Yes	Yes	Yes	Yes	Yes	
01-045	5MVX721CW002	LINK FU R		1	Yes	Yes	Yes	Yes	Yes	
01-046	5MVX521SW007	HINGE FU F		1	Yes	Yes	Yes	Yes	Yes	
01-047	5MVX521SW008	HINGE FU R		1	Yes	Yes	Yes	Yes	Yes	
01-048	5MVX321DN011	SLIDER FU		2	Yes	Yes	Yes	Yes	Yes	
01-049	5MVS422XF002	SEAL ECOSYS		1	Yes	Yes	Yes	Yes	Yes	
01-051	5MVB722SW001	BKT TRAY FA		1	Yes	Yes	Yes	Yes	Yes	
01-052	5MVB722SW002	BKT TRAY RA		1	Yes	Yes	Yes	Yes	Yes	
01-053	5MVB622SW002	BKT TRAY FB		1	Yes	Yes	Yes	Yes	Yes	
01-054	5MVB622SW003	BKT TRAY RB		1	Yes	Yes	Yes	Yes	Yes	
01-055	5AACCNQB1GEA	CONN. CORD ASSY		1	No	No	No	No	No	
01-055	5AACCNQS8GEA	CONN. CORD ASSY		1	Yes	Yes	Yes	Yes	Yes	
01-056	5KKT70+E**QX	SHEET OPE. MANUAL		1	Yes	Yes	Yes	Yes	Yes	
01-056	5KKT7000E*QX	SHEET OPE. MANUAL		1	No	No	No	No	No	
01-056	5KKT7000J*QX	SHEET OPE. MANUAL		1	No	No	No	No	No	
01-058	5MVL662GE33	LABEL DIAGRAM A		1	No	No	No	No	No	
01-058	5MVL662GE35	LABEL DIAGRAM A(J)		1	No	No	No	No	No	

REF.NO	PART CODE	DESCRIPTION	ISP	USED	FS-7000+					NOTE
					KEE	KEU	KEF	KEA	KEI	
01-059	5MVVL762GE15	LABEL DIAGRAM B		1	No	No	No	No	No	
01-059	5MVVL762GE16	LABEL DIAGRAM B(J)		1	No	No	No	No	No	
01-059	5MVVL762WN26	LABEL DIAGRAM D		1						
01-059	5MVVL762WN27	LABEL DIAGRAM D(J)		1						
01-060	5MVVL662GE34	LABEL DIAGRAM C		1	No	No	No	No	No	
01-061	5AAVC0VER188	COVER REAR ASSY		1	No	No	No	No	No	
01-061	5AAVC0VER222	COVER REAR ASSY		1	Yes	Yes	Yes	Yes	Yes	
01-062	5MVX985SW001	COVER LEFT		1	Yes	Yes	Yes	Yes	Yes	
01-063	5MVB984SW005	COVER RIGHT		1	Yes	Yes	Yes	Yes	Yes	
01-064	5MVQ222RB005	RUBBER FRONT		2	Yes	Yes	Yes	Yes	Yes	

## 2. Upper frame (02-)





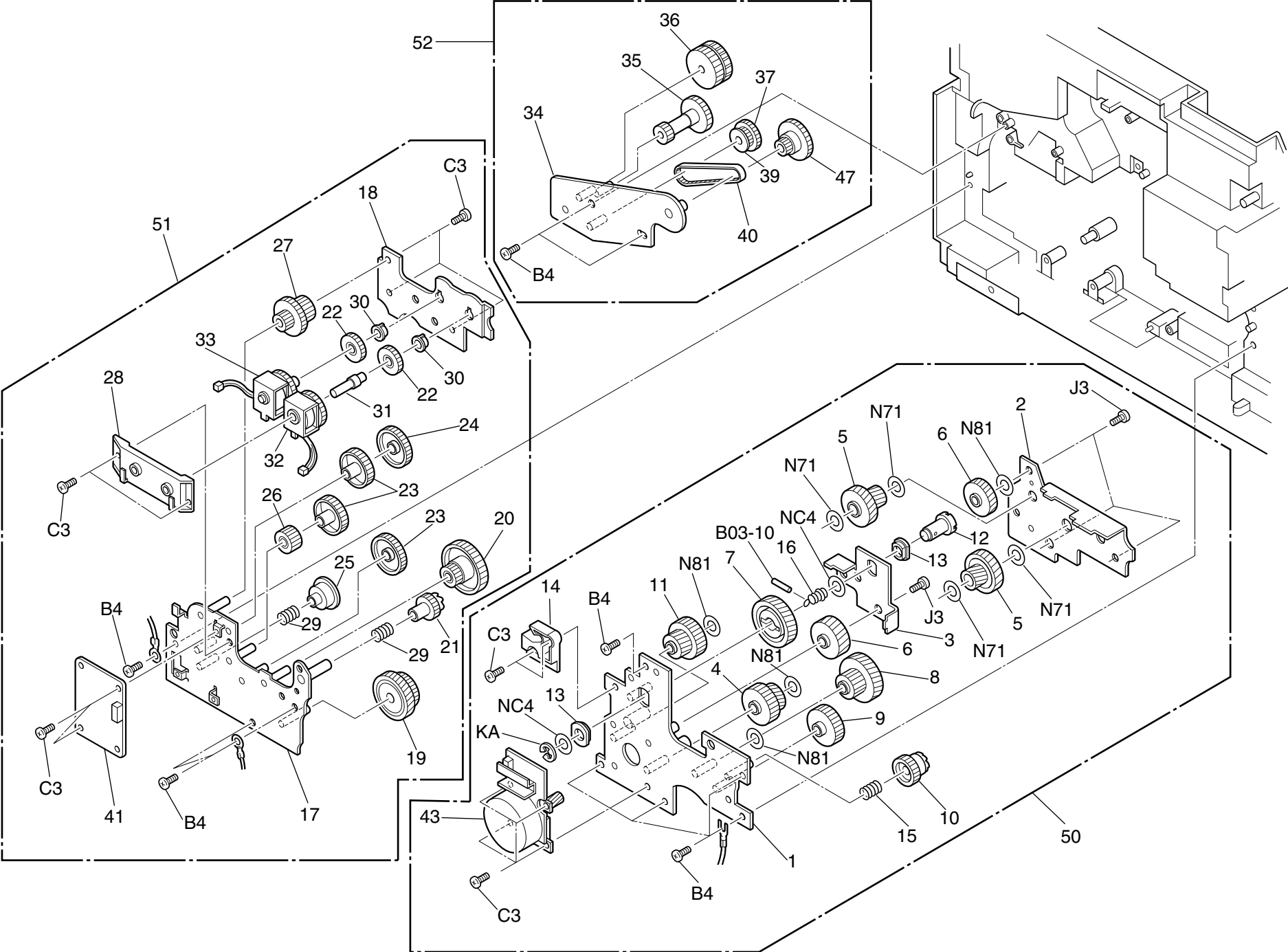
REF.NO	PART CODE	DESCRIPTION	ISP	USED	FS-7000+					NOTE
					KEE	KEU	KEF	KEA	KEI	
02-001	5AACCNQA6GEA	CONN. CORD ASSY		1	No	No	No	No	No	
02-002	5AACCNQA7GEA	CONN. CORD ASSY		1	No	No	No	No	No	
02-003	5AACCNQA9GEA	CONN. CORD ASSY		1	Yes	Yes	Yes	Yes	Yes	
02-004	5AACCNQB0GEA	CONN. CORD ASSY		1	No	No	No	No	No	
02-005	5AACCNQC0GEA	CONN. CORD ASSY		1	No	No	No	No	No	
02-006	5AACCNQC2GEA	CONN. CORD ASSY		1	No	No	No	No	No	
02A-01	5MVB976CB002	FRAME FRONT		1	Yes	Yes	Yes	Yes	Yes	
02A-02	5MVF775SB001	ARM LEVER DLP		1	Yes	Yes	Yes	Yes	Yes	
02A-03	5MVN754SG001	LEVER DLP A		1	No	No	No	No	No	
02A-03	5MVN754SG002	LEVER DLP		1	Yes	Yes	Yes	Yes	Yes	
02A-06	5MVN240DG001	LEVER DRUM		1	Yes	Yes	Yes	Yes	Yes	
02A-06	5MVX753DG001	LEVER DRUM		1	No	No	No	No	No	
02A-07	5MVX432DB008	LOCK DRUM		1	No	No	No	No	No	
02A-08	5MMW566LD002	SPRING LEVER DRUM		1	No	No	No	No	No	
02A-09	5MVX643SB008	BKT PWB		1	Yes	Yes	Yes	Yes	Yes	
02A-10	5MMW465LD002	SPRING LOCK DRUM		1	No	No	No	No	No	
02A-10	5MMW466SY001	SPRING LEVER DRUM		1	Yes	Yes	Yes	Yes	Yes	
02A-11	5MVX766SB014	GUIDE DLP REAR		1	Yes	Yes	Yes	Yes	Yes	
02A-12	5MVL854SB002	TRAY RAIL		1	Yes	Yes	Yes	Yes	Yes	
02A-13	5MVL655SB001	RAIL DLP F		1	Yes	Yes	Yes	Yes	Yes	
02A-14	5MMB965SD001	RAIL DLP		1	Yes	Yes	Yes	Yes	Yes	
02A-16	5AAPRSWC1007AH	P.W.BOARD ASSY	1	1	No	No	No	No	No	ILOCKF KP-556
02A-17	5AAPRIFC1017AH	P.W.BOARD ASSY	1	1	Yes	Yes	Yes	Yes	Yes	DVRLY KP-560
02A-18	5AACCNQC1GEA	CONN. CORD ASSY		1	No	No	No	No	No	98.09.28. REVISED
02A-18	5AACCNQS6GEA	CONN.CORD ASSY		1						
02A-19	5AACCNQC9GEA	CONN. CORD ASSY		1	Yes	Yes	Yes	Yes	Yes	
02A-20	5AACCNQE8GEA	CONN. CORD ASSY		1	Yes	Yes	Yes	Yes	Yes	
02A-21	5MMC834SD001	PLATE FRAME SIDE		2	Yes	Yes	Yes	Yes	Yes	
02A-22	5MMC933SD001	PLATE FRAME		2	Yes	Yes	Yes	Yes	Yes	
02A-23	5AAVMGNET005	MAGNET CATCHER		2	Yes	Yes	Yes	Yes	Yes	
02A-27	5MVB622DG001	LEVER LOCK FEED		1						99.04.06. ADDED
02A-28	5MWL6220WN02	LABEL FRAME FRONT		1						99.04.06. ADDED
02A-25	5MWL421WN038	LABEL DV35F		1						99.04.06. ADDED
02A-26	5MWL421WN037	LABEL DK35F		1						99.04.06. ADDED
02B-02	5MMC764LD001	PLATE CON A		1	No	No	No	No	No	
02B-03	5MVX643DB003	ACTUATOR JOINT		1	Yes	Yes	Yes	Yes	Yes	
02B-04	5MMW176LD001	SPRING JOINT		1	Yes	Yes	Yes	Yes	Yes	
02B-05	5MMP433LD002	PLATE BIAS		1	Yes	Yes	Yes	Yes	Yes	
02B-06	5MVB533SB005	COVER PWB CONT		1	Yes	Yes	Yes	Yes	Yes	
02B-07	5MMM311SZ001	PIN HV CONTACT		3	Yes	Yes	Yes	Yes	Yes	



REF.NO	PART CODE	DESCRIPTION	ISP	USED	FS-7000+					NOTE	
					KEE	KEU	KEF	KEA	KEI		
02B-08	5MMW311LD003	SPRING HV CONTACT		3	Yes	Yes	Yes	Yes	Yes		
02B-09	5MVB632SB009	COVER CONTACT		1	Yes	Yes	Yes	Yes	Yes		
02B-10	5MMW605LD002	SPRING MAIN A		1	Yes	Yes	Yes	Yes	Yes		
02B-11	5AAXRD016GEA	HIGH-MEG.R.ASSY		1	Yes	Yes	Yes	Yes	Yes		
02B-12	5EZNF2403202*01	FAN MOTOR	1	1	Yes	Yes	Yes	Yes	Yes		
02B-14	5ENXGP1A73A**01	PT SENSOR GP1A73AZ	1	1	Yes	Yes	Yes	Yes	Yes		
02B-15	5MVX874SB003	CASE BELT GUIDE		1	Yes	Yes	Yes	Yes	Yes		
02B-16	5AAY7000E*46	TOWER SENSOR ASSY	1	1	Yes	Yes	Yes	Yes	Yes		
02B-17	5MVX552SB006	INTERRUPT SENSOR		1	Yes	Yes	Yes	Yes	Yes		
02B-18	5MMW172SD001	SP INTERRUPT SENSOR		1	Yes	Yes	Yes	Yes	Yes		
02B-21	5AAPRZZC1048BH	P.W.BOARD ASSY	1	1	Yes	Yes	Yes	Yes	Yes	TBOTTLE KP-552	97.8.20 APRIFC1048
02B-22	5AAPRIFC1016AH	P.W.BOARD ASSY	1	1	Yes	Yes	Yes	Yes	Yes	DRRLY KP-558	
02B-23	5AAPRIFR2004AH	P.W.BOARD ASSY	1	1	No	No	No	No	No	CON1 KP-564	
02B-24	5AACCNQA8GEA	CONN. CORD ASSY		1	Yes	Yes	Yes	Yes	Yes		
02B-25	5AACCNQC4GEA	CONN. CORD ASSY		1	No	No	No	No	No		
02B-25	5AACCNQT1GEA	CONN. CORD ASSY		1	Yes	Yes	Yes	Yes	Yes		
02B-26	5AACCNQC6GEA	CONN. CORD ASSY		1	Yes	Yes	Yes	Yes	Yes		
02B-27	5AACCNQC7GEA	CONN. CORD ASSY		1	Yes	Yes	Yes	Yes	Yes		
02B-28	5AACCNQD0GEA	CONN. CORD ASSY		1	Yes	Yes	Yes	Yes	Yes		
02B-29	5AACCNQD1GEA	CONN. CORD ASSY		1	Yes	Yes	Yes	Yes	Yes		
02B-30	5AACCNQD2GEA	CONN. CORD ASSY		1	Yes	Yes	Yes	Yes	Yes		
02B-31	5AACCNQD3GEA	CONN. CORD ASSY		1	Yes	Yes	Yes	Yes	Yes		
02B-32	5AACCNQD4GEA	CONN. CORD ASSY		1	Yes	Yes	Yes	Yes	Yes		
02B-33	5AACCNQD5GEA	CONN. CORD ASSY		1	Yes	Yes	Yes	Yes	Yes		
02B-34	5AACCNQD6GEA	CONN. CORD ASSY		1	Yes	Yes	Yes	Yes	Yes		
02B-35	5AACCNQF4GEA	CONN. CORD ASSY		1	No	No	No	No	No		
02B-36	5MVU666SB001	DUCT DRUM		1	Yes	Yes	Yes	Yes	Yes		
02B-36	5MVU666SB002	DUCT DRUM		1							
02B-37	5MVQ432RB003	CORD PRESS		1	Yes	Yes	Yes	Yes	Yes		
02B-38	5MMM140SZ011	COLLAR SPACER		2	Yes	Yes	Yes	Yes	Yes		
02B-39	5MMM340SZ002	COLLAR SPACER		2	Yes	Yes	Yes	Yes	Yes		
02B-40	5MVQ211EF001	SPONGE MAIN		1	Yes	Yes	Yes	Yes	Yes		
02B-41	5MVS632KF009	SHEET FAN A		1	Yes	Yes	Yes	Yes	Yes		
02B-42	5AAXTR037VDA	TRANS ASSY	1	1	No	No	No	No	No		98.01.16
02B-42	5AAXTR037VDB	TRANS ASSY	1	1	Yes	Yes	Yes	Yes	Yes		
02B-42	5AAXTR041VDA	TRANS ASSY	1	1							
02B-43	5MVS321KN013	SHEET TONER		1	No	No	No	No	No		
02B-44	5AAPRSSC1016AH	P.W.BOARD ASSY		1	Yes	Yes	Yes	Yes	Yes	HTON KP-574	
02C-01	5MMC962SD001	BASE STAY L		1	Yes	Yes	Yes	Yes	Yes		
02C-02	5MMC962SD002	BASE STAY R		1	Yes	Yes	Yes	Yes	Yes		

REF.NO	PART CODE	DESCRIPTION	ISP	USED	FS-7000+					NOTE
					KEE	KEU	KEF	KEA	KEI	
02C-03	5MMB993SD001	PLATE BASE LID		1	Yes	Yes	Yes	Yes	Yes	
02C-06	5MMX653LD002	PLATE EARTH FRONT		1	Yes	Yes	Yes	Yes	Yes	
02C-07	5MVX832SH006	COVER FRONT LOW L		1	Yes	Yes	Yes	Yes	Yes	
02C-08	5MVX832SH007	COVER FRONT LOW R		1	Yes	Yes	Yes	Yes	Yes	
02C-09	5MVM184NB001	FOOT	1	4	Yes	Yes	Yes	Yes	Yes	
02C-10	5MMU932SD003	RAIL BOTTOM L		1	Yes	Yes	Yes	Yes	Yes	
02C-11	5MMU932SD004	RAIL BOTTOM R		1	Yes	Yes	Yes	Yes	Yes	
02C-12	5MMM165SN002	ROLLER DU		1	Yes	Yes	Yes	Yes	Yes	
02C-13	5MML332LD002	PLATE FG DRIVE		2	Yes	Yes	Yes	Yes	Yes	
02C-14	5MVX822CB005	RAIL BASE R		1	Yes	Yes	Yes	Yes	Yes	
02C-16	5MMC963SD001	RAIL BASE L		1	Yes	Yes	Yes	Yes	Yes	
02C-17	5MMX952SD003	RAIL MIDDLE		1	Yes	Yes	Yes	Yes	Yes	
02C-18	5MVM177DN007	PULLEY RAIL D		2	Yes	Yes	Yes	Yes	Yes	
02C-19	5MVX222DN002	HOLDER RAIL B		1	Yes	Yes	Yes	Yes	Yes	
02C-20	5MMW661LD003	SPRING RAIL L		1	Yes	Yes	Yes	Yes	Yes	
02C-21	5MVS111PW001	PAD FUSER		2	Yes	Yes	Yes	Yes	Yes	
02C-23	5MVX432SB012	BRACKET PULLEY B		1	Yes	Yes	Yes	Yes	Yes	
02C-24	5MVM176DN020	PULLEY RAIL B		1	Yes	Yes	Yes	Yes	Yes	
02C-25	5MVB666SB009	DUCT TOP COVER		1	No	No	No	No	No	
02D-04	5MVB772SB024	DUCT FUSER UP		1	No	No	No	No	No	
02D-04	5MVX762SB010	DUCT DLP UP		1	Yes	Yes	Yes	Yes	Yes	
02D-05	5MVB875SB009	DUCT FUSER BOTTOM		1	No	No	No	No	No	99.02.25. REVISED Yes ->
02D-05	5MVX876SB006	DUCT DLP LOW		1	Yes	Yes	Yes	Yes	Yes	
02D-11	5AAPRIFC1019AH	P.W.BOARD ASSY	1	1	No	No	No	No	No	APCRLY KP-570

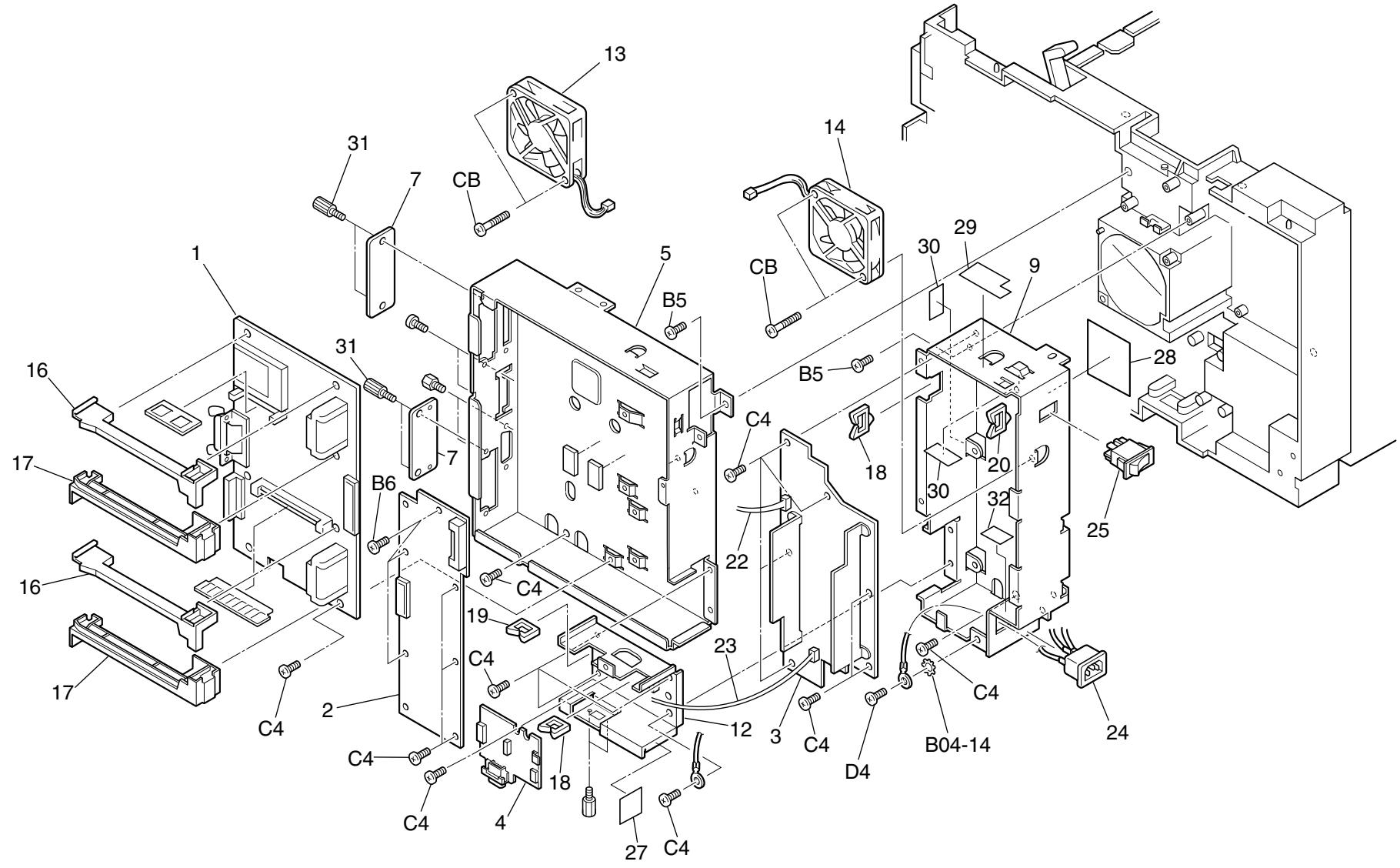
# 3. Drive unit (03-)



REF.NO	PART CODE	DESCRIPTION	ISP	USED	FS-7000+					NOTE
					KEE	KEU	KEF	KEA	KEI	
03-001	5MMX873SD004	PLATE DRIVE REAR		1	No	No	No	No	No	98.09.28. REVISED
03-001	5MMX873SD005	PLATE DRIVE REAR		1	Yes	Yes	Yes	Yes	Yes	
03-002	5MML776SD001	PLATE DRIVE FRONT		1	No	No	No	No	No	98.09.28. REVISED
03-002	5MML776SD002	PLATE DRIVE F		1	Yes	Yes	Yes	Yes	Yes	
03-003	5MMU266SD001	PLATE DRIVE MID		1	No	No	No	No	No	98.09.28. REVISED
03-003	5MMU266SD002	PLATE DRIVE M		1	Yes	Yes	Yes	Yes	Yes	
03-004	5MVG168DN011	GEAR Z72H-Z27H		1	Yes	Yes	Yes	Yes	Yes	98.09.28. REVISED
03-005	5AAVGEAR*031	GEAR Z46H-Z22H ASSY		2	No	No	No	No	No	98.09.28. REVISED
03-005	5AAVGEAR*034	GEAR Z46H-Z36H ASSY		2	Yes	Yes	Yes	Yes	Yes	
03-006	5MVG158DN018	GEAR Z41H		2	Yes	Yes	Yes	Yes	Yes	98.09.28. REVISED
03-007	5MVG169DN017	GEAR Z55H		1	No	No	No	No	No	98.09.28. REVISED
03-007	5MVG169DN029	GEAR Z90H		1	Yes	Yes	Yes	Yes	Yes	
03-008	5MVG169DN018	GEAR Z55H-Z27S		1	Yes	Yes	Yes	Yes	Yes	98.09.28. REVISED
03-009	5MVG158DN019	GEAR Z45S A		1	Yes	Yes	Yes	Yes	Yes	98.09.28. REVISED
03-010	5MVG148DN020	GEAR JOINT Z31S		1	Yes	Yes	Yes	Yes	Yes	98.09.28. REVISED
03-011	5MVG168DN014	GEAR Z76-35-23H		1	Yes	Yes	Yes	Yes	Yes	
03-011	5MVG169DN019	GEAR Z76H-Z35H		1	No	No	No	No	No	98.09.28. REVISED
03-012	5MMT376LD002	JOINT DRUM		1	Yes	Yes	Yes	Yes	Yes	98.09.28. REVISED
03-013	5MMM177CX001	BUSH DRUM JOINT		2	Yes	Yes	Yes	Yes	Yes	98.09.28. REVISED
03-014	5MVX441DB001	JOINT DLP		1	Yes	Yes	Yes	Yes	Yes	98.09.28. REVISED
03-015	5MMW261LD020	SPRING JOINT UNIT		1	Yes	Yes	Yes	Yes	Yes	98.09.28. REVISED
03-016	5MMW161LD031	SPRING EARTH DD		1	Yes	Yes	Yes	Yes	Yes	98.09.28. REVISED
03-017	5AAXMT029GEA	MOTOR MAIN	1	1						
03-017	5AAXMT037GEA	MOTOR MAIN	1	1						99.04.06. REVISED Yes->
03-017	5MMX773SD001	PLATE DRIVE CLUTCH		1	Yes	Yes	Yes	Yes	Yes	98.09.28. REVISED
03-018	5MMS767SD004	PLATE COVER GEAR		1	Yes	Yes	Yes	Yes	Yes	98.09.28. REVISED
03-019	5MVG169DN020	GEAR Z56H-Z37S		1	Yes	Yes	Yes	Yes	Yes	98.09.28. REVISED
03-020	5MVG169DN021	GEAR Z53S-Z23S		1	Yes	Yes	Yes	Yes	Yes	98.09.28. REVISED
03-021	5MVG138DN028	GEAR JOINT Z28S		1	Yes	Yes	Yes	Yes	Yes	98.09.28. REVISED
03-022	5MVG148DN021	GEAR CLUTCH Z32S		2	Yes	Yes	Yes	Yes	Yes	98.09.28. REVISED
03-023	5MVG158DN020	GEAR Z45S B		3	Yes	Yes	Yes	Yes	Yes	98.09.28. REVISED
03-024	5MVG159DN008	GEAR Z50S-Z24S		1	Yes	Yes	Yes	Yes	Yes	98.09.28. REVISED
03-025	5MVG138DN029	GEAR JOINT Z26S		1	Yes	Yes	Yes	Yes	Yes	98.09.28. REVISED
03-026	5MVG138DN030	GEAR Z24S		1	Yes	Yes	Yes	Yes	Yes	98.09.28. REVISED
03-027	5MVG158DN022	GEAR Z30S-Z43S-Z17S		1	Yes	Yes	Yes	Yes	Yes	98.09.28. REVISED
03-028	5MVC462DN001	HOLDER CLUTCH		1	No	No	No	No	No	98.09.28. REVISED
03-028	5MVC463DN001	HOLDER CLUTCH		1	Yes	Yes	Yes	Yes	Yes	
03-029	5MMW261LD020	SPRING JOINT UNIT		2	Yes	Yes	Yes	Yes	Yes	98.09.28. REVISED
03-030	5MVM176DB008	BUSHING STOP		2	Yes	Yes	Yes	Yes	Yes	98.09.28. REVISED
03-031	5MMT565SN003	SHAFT CLUTCH F		1	Yes	Yes	Yes	Yes	Yes	98.09.28. REVISED

REF.NO	PART CODE	DESCRIPTION	ISP	USED	FS-7000+					NOTE
					KEE	KEU	KEF	KEA	KEI	
03-032	5EYYAGAAH01**01	CLUTCH REGIST	1	1	Yes	Yes	Yes	Yes	Yes	
03-032	5EYYALAAK01**01	CLUTCH REGIST	1	1	No	No	No	No	No	
03-033	5EYYAFAAM01**01	CLUTCH FEED	1	1	Yes	Yes	Yes	Yes	Yes	
03-034	5MMX766SD004	PLATE D-CONTAINER		1	Yes	Yes	Yes	Yes	Yes	98.09.28. REVISED
03-035	5MVG138DN031	GEAR Z30S-Z20S		1	Yes	Yes	Yes	Yes	Yes	98.09.28. REVISED
03-036	5MVG158DN021	GEAR Z45S-Z22S		1	Yes	Yes	Yes	Yes	Yes	98.09.28. REVISED
03-037	5MVG048DN003	GEAR Z33S-P36		1	Yes	Yes	Yes	Yes	Yes	98.09.28. REVISED
03-037	5MVG048DN005	GEAR Z33S-P29		1						99.04.06. ADDED
03-039	5MVF182DN001	COVER PULLEY		1	Yes	Yes	Yes	Yes	Yes	98.09.28. REVISED
03-040	5MVM190RB023	BELT DRIVE TOWER		1	Yes	Yes	Yes	Yes	Yes	98.09.28. REVISED
03-040	5MVM190RB025	BELT DRIVE TOWER		1						99.04.06. ADDED
03-041	5AAPRIFC1023AH	P.W.BOARD ASSY	1	1	Yes	Yes	Yes	Yes	Yes	CON2 KP- 673
03-041	5AAPRIFR2006AH	P.W.BOARD ASSY	1	1	No	No	No	No	No	CON2 KP-599
03-043	5AAXMT029GEA	MOTOR MAIN	1	1	Yes	Yes	Yes	Yes	Yes	
03-043	5AAXMT037GEA	MOTOR MAIN	1	1						
03-047	5MVG048DN004	GEAR Z36S-P20		1	Yes	Yes	Yes	Yes	Yes	98.09.28. REVISED
03-047	5MVG048DN006	GEAR Z36-P37		1						99.04.06. ADDED
03-048	5MVB541RH001	SEAL SENSOR		1						99.04.06. ADDED
03-049	5MMT665SN002	SHAFT CLUTCH R		1						99.04.06. ADDED
03-050	5MMW261SD006	SPRING JOINT		1						99.04.06. ADDED
03-051	5AAVGEAR*033	GEAR Z37H-Z22H ASSY		1						99.04.06. ADDED
03-052	5MVG168DN015	GEAR Z65H		1						99.04.06. ADDED
03-053	5AAY7000E*35	DRIVE A ASSY	1	1	No	No	No	No	No	
03-054	5AAY7000E*36	DRIVE B ASSY	1	1	No	No	No	No	No	
03-055	5AAY7000E*37	DRIVE C ASSY	1	1	Yes	Yes	Yes	Yes	Yes	

# 4. Controller box (04-)

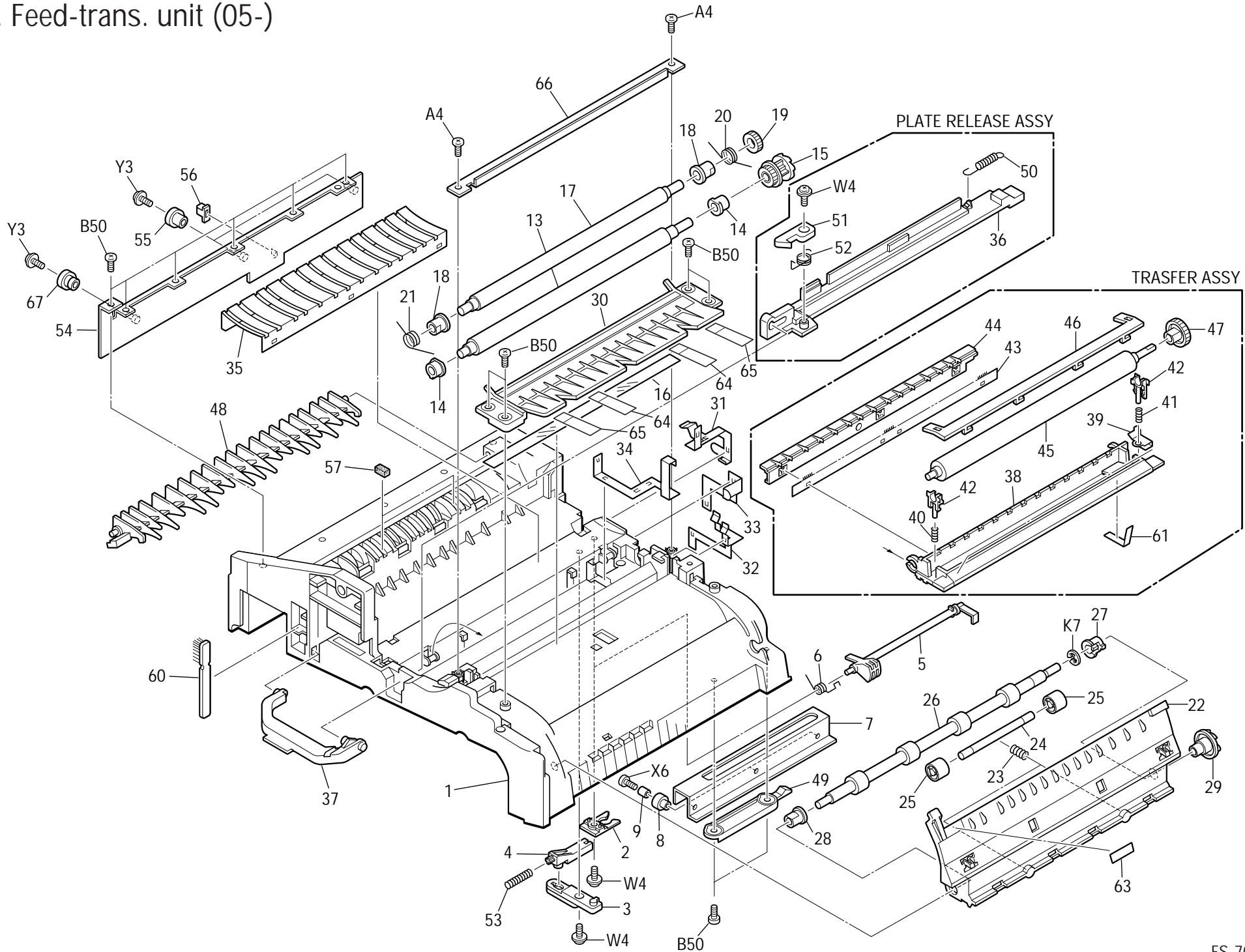


REF.NO	PART CODE	DESCRIPTION	ISP	USED	FS-7000+					NOTE	
					KEE	KEU	KEF	KEA	KEI		
04-001	5AAPRLGG4028CH	P.W.BOARD ASSY	1	1	No	No	No	No	No	MAIN KP-536	
04-001	5AAPRLGG4028DH	P.W.BOARD ASSY	1	1	No	No	No	No	No	MAIN KP-536	
04-001	5AAPRLGG4028EH	P.W.BOARD ASSY	1	1	No	No	No	No	No	MAIN KP-536	
04-001	5AAPRLGG4031AH	P.W.BOARD ASSY	1	1	Yes	Yes	Yes	Yes	Yes	MAIN	
04-001	5AAPRLGG4031BH	P.W.BOARD ASSY	1	1						MAIN KP-668	
04-001	5AAPRLGG4032AH	P.W.BOARD ASSY	1	1							
04-001	5AAPRLGG4032BH	P.W.BOARD ASSY	1	1	No	No	No	No	No	MAIN KP-690	
04-001	5AAPRLGG4032CH	P.W.BOARD ASSY	1	1						MAIN KP-668	
04-001	5AAPRLGG4032DH	P.W.BOARD ASSY	1	1						MAIN KP-690	
04-002	5AAPRCZG4008DH	P.W.BOARD ASSY	1	1	No	No	No	No	No	ENGINE KP-544	98.12.03. REVISED
04-002	5AAPRCZG4008EH	P.W.BOARD ASSY	1	1	No	No	No	No	No	ENGINE KP-544	98.12.03. REVISED
04-002	5AAPRCZG4008FH	P.W.BOARD ASSY	1	1	No	No	No	No	No	ENGINE KP-544	
04-002	5AAPRCZG4009AH	P.W.BOARD ASSY	1	1							
04-002	5AAPRCZG4009BH	P.W.BOARD ASSY	1	1	Yes	Yes	Yes	Yes	Yes	ENGINE	
04-002	5AAPRCZG4009EH	P.W.BOARD ASSY	1	1	No	No	No	No	No	ENGINE KP-669	
04-002	5AAPRCZG4009FH	P.W.BOARD ASSY	1	1						ENGINE KP-669	
04-002	5AAPRCZG4009GH	P.W.BOARD ASSY	1	1						MAIN KP-668	
04-002	5AAPRCZG4009HH	P.W.BOARD ASSY	1	1						ENGINE KP-669	
04-002	5AAPRCZG4009JH	P.W.BOARD ASSY	1	1							
04-003	5AAEZ7000A*1	SWITCHING REGULATOR	1	1	No	No	No	No	No		
04-003	5AAEZ7000A*2	SWITCHING REGULATOR	1	1	No	No	No	No	Yes		
04-003	5AAEZ7000E*1	SWITCHING REGULATOR	1	1	No	No	No	No	No		
04-003	5AAEZ7000E*2	SWITCHING REGULATOR	1	1	Yes	Yes	Yes	Yes	No		
04-004	5AAPRIFR2005AH	P.W.BOARD ASSY	1	1	No	No	No	No	No	CON3 KP-568	98.01.22
04-004	5AAPRIFR2009AH	P.W.BOARD.ASSY	1	1	Yes	Yes	Yes	Yes	Yes	CON3 KP-675	
04-005	5MMB886SD010	CONT BOX		1	No	No	No	No	No		
04-005	5MMB886SD012	CONT BOX		1	Yes	Yes	Yes	Yes	Yes		
04-007	5MMS636SD009	PLATE OPTION		1	Yes	Yes	Yes	Yes	Yes		
04-008	5MMS646SD009	PLATE CONTROLLER		1	No	No	No	No	No		
04-009	5MMB876SD002	SHIELD CASE		1	Yes	Yes	Yes	Yes	Yes		
04-012	5MMC765SD001	PLATE CON C		1	Yes	Yes	Yes	Yes	Yes		
04-013	5EZN2402501*03	FAN MOTOR	1	1	Yes	Yes	Yes	Yes	Yes		
04-014	5EZN2402501*03	FAN MOTOR	1	1	No	No	No	No	No		
04-014	5EZN2403004*01	FAN MOTOR		1	Yes	Yes	Yes	Yes	Yes		
04-016	5MVB743SL001	RAIL OPTION L		1	Yes	Yes	Yes	Yes	Yes		
04-016	5MVX743SB008	RAIL OPTION A		1	No	No	No	No	No		
04-017	5MVB743SL002	RAIL OPTION R		1	Yes	Yes	Yes	Yes	Yes		
04-017	5MVX754SB008	RAIL OPTION B		1	No	No	No	No	No		
04-018	5MVC331NN001	EDGING SADDLE		2	Yes	Yes	Yes	Yes	Yes		
04-019	5MVC441NN001	EDGING SADDLE		1	Yes	Yes	Yes	Yes	Yes		



REF.NO	PART CODE	DESCRIPTION	ISP	USED	FS-7000+					NOTE
					KEE	KEU	KEF	KEA	KEI	
04-020	5MVX321NN023	LOCKING WIRE SADDLE		1	Yes	Yes	Yes	Yes	Yes	
04-021	5AACCNQA5GEA	CONN. CORD ASSY		1	No	No	No	No	No	
04-022	5AACCNQB7GEA	CONN. CORD ASSY		1	Yes	Yes	Yes	Yes	Yes	
04-023	5AACCNQC3GEA	CONN. CORD ASSY		1	No	No	No	No	No	
04-023	5AACCNQT3GEA	CONN. CORD ASSY		1						99.04.06. ADDED
04-024	5AACCNQC5GEA	CONN. CORD ASSY		1	Yes	Yes	Yes	Yes	Yes	
04-024	5AACCNQK5GEA	CONN. CORD ASSY		1	No	No	No	No	No	
04-024	5AACCNQK6GEA	CONN. CORD ASSY		1	No	No	No	No	No	
04-025	5ESC020205***01	SEE-SAW SW. CSAVDEBS		1	Yes	Yes	Yes	Yes	Yes	
04-026	5MVS327RH001	SARCON GR		5	No	No	No	No	No	
04-027	5MVS552KF007	SHEET CONT D		1	No	No	No	No	No	
04-028	5MVS662KF006	SHEET CONT E		1	Yes	Yes	Yes	Yes	Yes	
04-028	5MVS662KF006	SHEET CONT E		1						
04-028	5MVS872KF006	SHEET CONT A		1	No	No	No	No	No	
04-029	5MVS652KF005	SHEET CONT B		1	Yes	Yes	Yes	Yes	Yes	
04-030	5MVS332KF003	SHEET CONT C		2	Yes	Yes	Yes	Yes	Yes	
04-034	5MMV211NN034	MINI SLIDE CLAMP		4						99.04.06. ADDED
04-035	5MVS328RH002	SARCON GR		2						99.04.06. ADDED

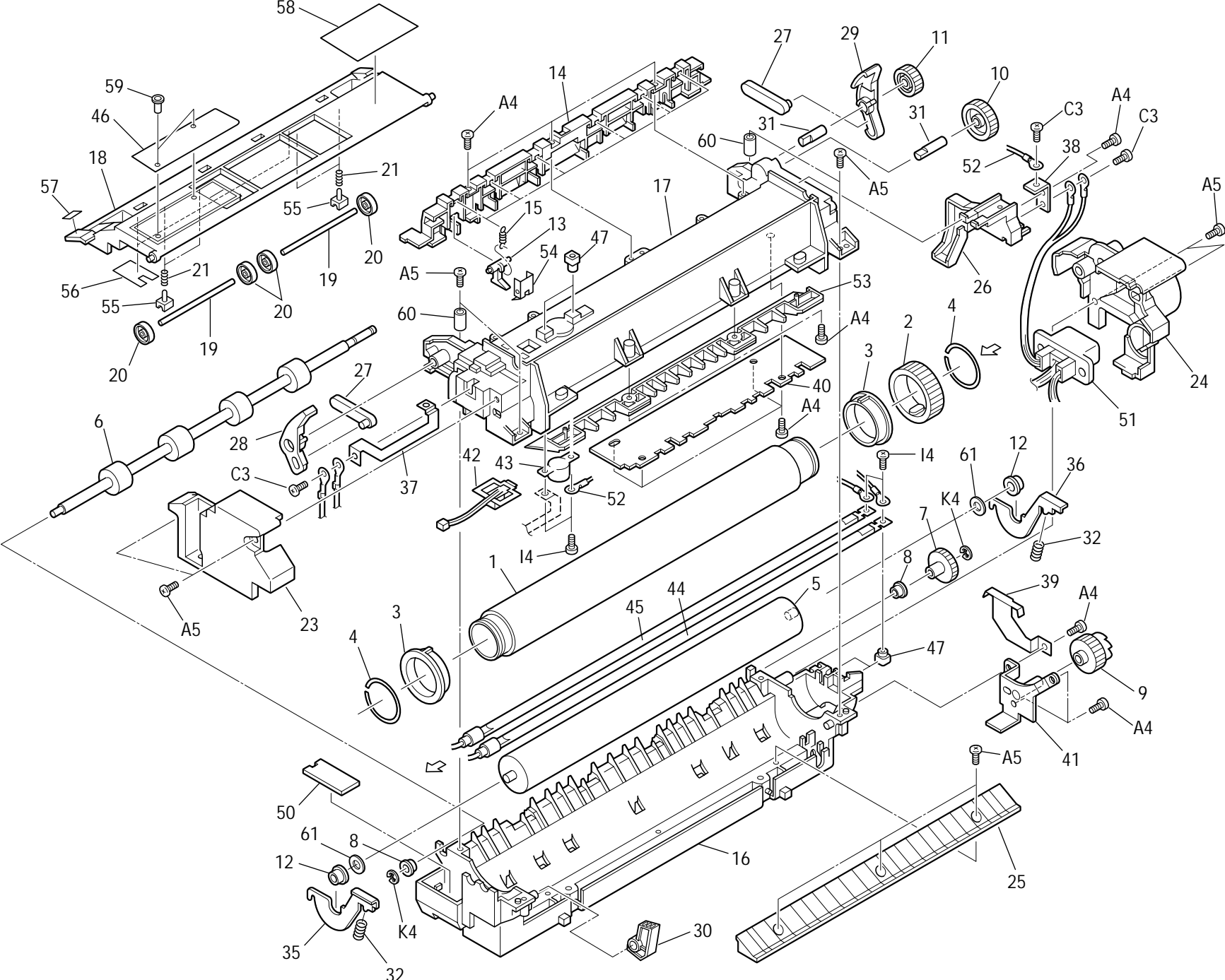
# 5. Feed-trans. unit (05-)



REF.NO	PART CODE	DESCRIPTION	ISP	USED	FS-7000+					NOTE
					KEE	KEU	KEF	KEA	KEI	
05-001	5MVX997XB001	CASE LOW		1	No	No	No	No	No	
05-001	5MVX997XB002	CASE LOW		1	Yes	Yes	Yes	Yes	Yes	
05-002	5MVX321DN010	LATCH RAIL		1	Yes	Yes	Yes	Yes	Yes	
05-003	5MVX621DB003	PLATE LOCK A		1	Yes	Yes	Yes	Yes	Yes	
05-004	5MVX511DB003	PLATE LOCK B		1	Yes	Yes	Yes	Yes	Yes	
05-005	5MVX742SB006	ACTUATOR REGIST	1	1	Yes	Yes	Yes	Yes	Yes	
05-006	5MMW161LD030	SPRING ACTUATOR RE		1	Yes	Yes	Yes	Yes	Yes	
05-007	5MMC843SD002	RAIL CASE		1	Yes	Yes	Yes	Yes	Yes	
05-008	5MVM274DN001	PULLEY RAIL C		3	Yes	Yes	Yes	Yes	Yes	
05-009	5MMM140SZ009	COLLAR SPACER		3	Yes	Yes	Yes	Yes	Yes	
05-013	5MMT876SN050	ROLLER REGIST LOW		1	Yes	Yes	Yes	Yes	Yes	
05-014	5MMM121CX001	BUSH DRUM		2	Yes	Yes	Yes	Yes	Yes	
05-015	5MVG147DB020	GEAR JOINT Z32		1	Yes	Yes	Yes	Yes	Yes	
05-016	5MVS822KF010	SHEET REGIST		1	Yes	Yes	Yes	Yes	Yes	
05-017	5MMT876SN049	ROLLER REGIST UP		1	Yes	Yes	Yes	Yes	Yes	
05-018	5MMM276CJ001	METAL BUSH REGIST		2	Yes	Yes	Yes	Yes	Yes	
05-019	5MVG137DB064	GEAR REGIST Z24		1	Yes	Yes	Yes	Yes	Yes	
05-020	5MMW172SD002	SPRING REGIST A		1	No	No	No	No	No	
05-020	5MMW172SZ001	SPRING REGIST R		1	Yes	Yes	Yes	Yes	Yes	
05-021	5MMW172SD003	SPRING REGIST B		1	No	No	No	No	No	
05-021	5MMW172SD004	SPRING REGIST F		1	Yes	Yes	Yes	Yes	Yes	
05-022	5MVX876SC001	GUIDE PAPER		1	Yes	Yes	Yes	Yes	Yes	
05-023	5MMW261LD018	SPRING MIDDLE		2	Yes	Yes	Yes	Yes	Yes	
05-024	5MMT743SN001	SHAFT PULLEY		2	Yes	Yes	Yes	Yes	Yes	
05-025	5MVM276DN005	PULLEY MIDDLE		4	Yes	Yes	Yes	Yes	Yes	
05-026	5MMT876SN048	ROLLER MIDDLE	1	1	No	No	No	No	No	98.09.25. REVISED
05-026	5MMT876SN064	ROLLER MIDDLE	1	1	Yes	Yes	Yes	Yes	Yes	98.09.25. ADDED
05-027	5MVM276DN006	BUSH B		1	Yes	Yes	Yes	Yes	Yes	
05-028	5MVM276DB012	BUSH C		1	Yes	Yes	Yes	Yes	Yes	
05-029	5MVM286DB002	LATCH JOINT	1	1	Yes	Yes	Yes	Yes	Yes	
05-030	5MVS868SC001	GUIDE PAPER B		1	Yes	Yes	Yes	Yes	Yes	
05-031	5MMX654LD003	PLATE REGIST		1	Yes	Yes	Yes	Yes	Yes	
05-032	5MMX662LD003	PLATE TC		1	Yes	Yes	Yes	Yes	Yes	
05-033	5MMX662LD004	PLATE DISCHARGER		1	Yes	Yes	Yes	Yes	Yes	
05-034	5MMX644LD004	PLATE EARTH REGIST		1	No	No	No	No	No	
05-035	5MMU863SD002	PLATE PAPER GUIDE		1	Yes	Yes	Yes	Yes	Yes	
05-036	5MVX822SG001	PLATE RELEASE		1	Yes	Yes	Yes	Yes	Yes	98.09.28. REVISED
05-037	5MVX752SG001	HANDLE CASE	1	1	Yes	Yes	Yes	Yes	Yes	
05-038	5MVB864SB011	GUIDE TC		1	No	No	No	No	No	98.09.28. REVISED
05-038	5MVB864SB015	GUIDE TC OEM		1						

REF.NO	PART CODE	DESCRIPTION	ISP	USED	FS-7000+					NOTE
					KEE	KEU	KEF	KEA	KEI	
05-038	5MVB864SB016	GUIDE TC		1	Yes	Yes	Yes	Yes	Yes	
05-039	5MMX321LD024	PLATE CONTACT TC		1	Yes	Yes	Yes	Yes	Yes	98.09.28. REVISED
05-040	5MMW354LD003	SPRING TC ROLL		1	Yes	Yes	Yes	Yes	Yes	98.09.28. REVISED
05-041	5MMW255LD002	SPRING BUSH		1	Yes	Yes	Yes	Yes	Yes	98.09.28. REVISED
05-042	5MVX322DB018	BUSH TRANSFER B		2	Yes	Yes	Yes	Yes	Yes	98.09.28. REVISED
05-043	5MMS821LD010	BRUSH DC CHARGE		1	Yes	Yes	Yes	Yes	Yes	98.09.28. REVISED
05-044	5MVX822CB004	HOLDER DC CHARGE		1	Yes	Yes	Yes	Yes	Yes	98.09.28. REVISED
05-045	5MMT886SN013	ROLLER TRANSFER		1	Yes	Yes	Yes	Yes	Yes	98.09.28. REVISED
05-046	5MVX831CB002	GUIDE CHUTE LOW		1	No	No	No	No	No	98.09.28. REVISED
05-046	5MVX852CB002	GUIDE CHUTE LOW		1	Yes	Yes	Yes	Yes	Yes	
05-047	5MVG138DB062	GEAR TC Z26		1	Yes	Yes	Yes	Yes	Yes	98.09.28. REVISED
05-048	5MVX863CB002	GUIDE CHANGE DU		1	Yes	Yes	Yes	Yes	Yes	
05-049	5MVX731DN001	HOLDER RAIL A		1	Yes	Yes	Yes	Yes	Yes	
05-050	5MMW461SD002	SPRING RELEASE B		1	Yes	Yes	Yes	Yes	Yes	98.09.28. REVISED
05-051	5MVX421DB011	HOLDER RELEASE		1	Yes	Yes	Yes	Yes	Yes	98.09.28. REVISED
05-052	5MMW161SD006	SPRING RELEASE C		1	Yes	Yes	Yes	Yes	Yes	98.09.28. REVISED
05-053	5MMW461SD001	SPRING RELEASE A		1	Yes	Yes	Yes	Yes	Yes	
05-054	5MML962SD001	RAIL CASE L		1	No	No	No	No	No	
05-054	5MML962SD002	RAIL CASE L		1	Yes	Yes	Yes	Yes	Yes	
05-055	5MVM276DB013	PULLEY RAIL E		2	No	No	No	No	No	
05-056	5MVX211SG001	KNOB RELEASE		1	No	No	No	No	No	
05-057	5MVS118YW002	PAD CUSHION		2	Yes	Yes	Yes	Yes	Yes	
05-058	5MVVL752WN04	LABEL CASE A		1	No	No	No	No	No	
05-059	5MVVL642WN09	LABEL CASE B		1	No	No	No	No	No	
05-060	5AAVBRUSH035	BRUSH CLEAN ASSY		1	Yes	Yes	Yes	Yes	Yes	
05-061	5MMS312AX001	SHEET EARTH TC		1	Yes	Yes	Yes	Yes	Yes	98.09.28. REVISED
05-062	5MVVL111WN12	LABEL RELEASE A		2	No	No	No	No	No	98.09.28. REVISED
05-063	5MVVL311WN30	LABEL RELEASE B		1	Yes	Yes	Yes	Yes	Yes	
05-064	5MVS612KF009	SHEET GUIDE PAPER A		2	Yes	Yes	Yes	Yes	Yes	
05-065	5MVS622KF005	SHEET GUIDE PAPER B		2	Yes	Yes	Yes	Yes	Yes	
05-069	5MML831SW001	GUIDE CHUTE UP		1						99.04.06. ADDED
05-070	5MMX654LD005	PLATE EARTH FEED		1						99.04.06. ADDED
05-071	5MVS812KF005	SHEET GUIDE CHUTE		1						99.04.06. ADDED
05-072	5MVS853KC001	SHEET LOW		1						99.04.06. ADDED

# 6. Fuser unit (06-)

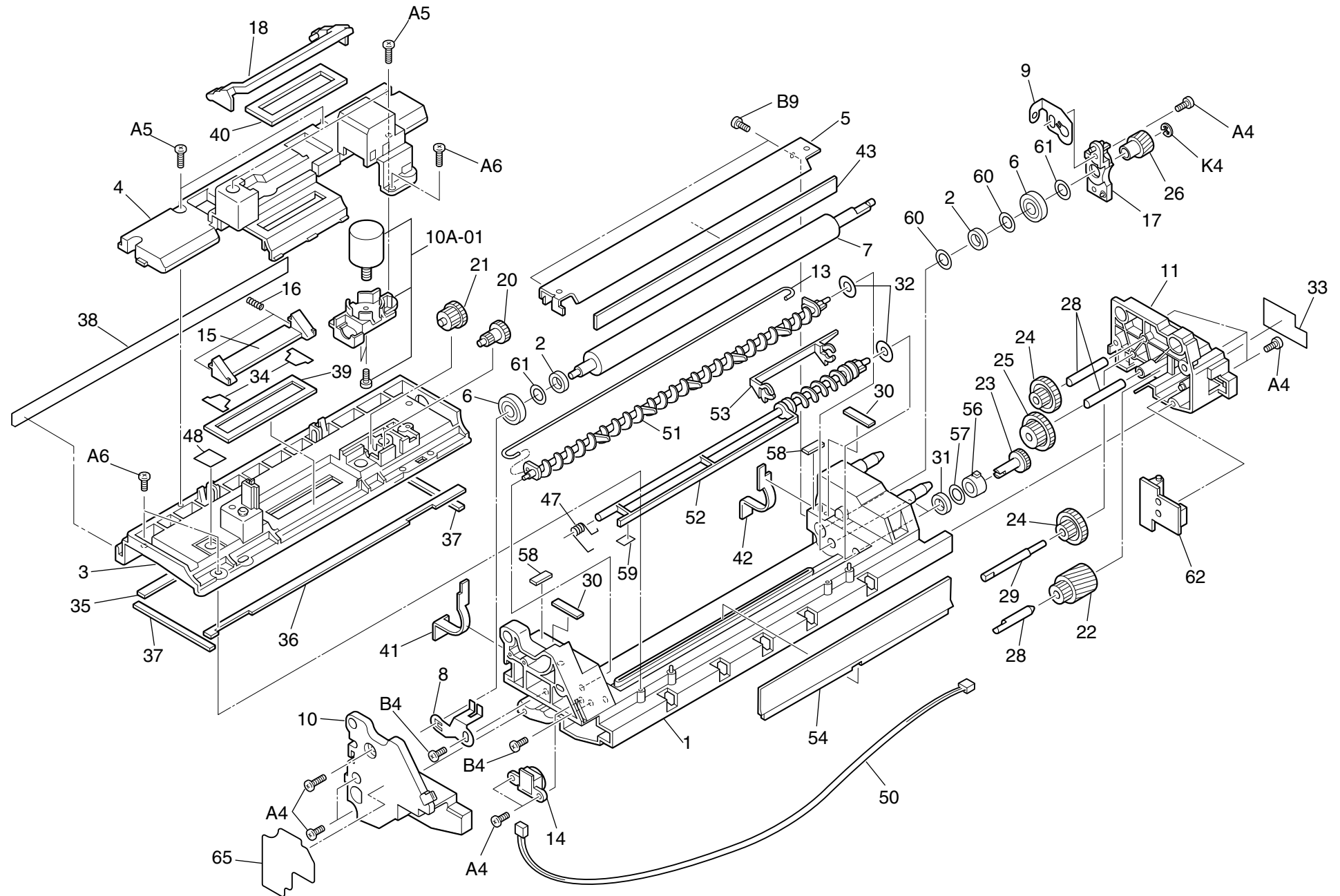


REF.NO	PART CODE	DESCRIPTION	ISP	USED	FS-7000+					NOTE	
					KEE	KEU	KEF	KEA	KEI		
06-002	5MVG169XN001	GEAR Z55		1	Yes	Yes	Yes	Yes	Yes		99.04.03. REVISED Yes ->
06-032	5MVG169XN001	GEAR Z55		1	No	No	No	No	No		99.04.03. ADDED
06-007	5MVG138DN032	GEAR Z29		1	Yes	Yes	Yes	Yes	Yes		99.04.03. REVISED Yes ->
06-022	5MVG138DN032	GEAR Z29		1	No	No	No	No	No		99.04.03. ADDED
06-009	5MVG148XN006	GEAR FUSER Z33		1	Yes	Yes	Yes	Yes	Yes		99.04.03. REVISED Yes ->
06-035	5MVG148XN006	GEAR FUSER Z33		1	No	No	No	No	No		99.04.03. ADDED
06-010	5MVG148XN005	GEAR JOINT Z36		1	Yes	Yes	Yes	Yes	Yes		99.04.03. REVISED Yes ->
06-043	5MVG148XN005	GEAR JOINT Z36		1	No	No	No	No	No		99.04.03. ADDED
06-011	5MVG137DB025	GEAR M FEED Z25		1	Yes	Yes	Yes	Yes	Yes		99.04.03. REVISED Yes ->
06-044	5MVG137DB025	GEAR M FEED Z25		1	No	No	No	No	No		99.04.03. ADDED
06-013	5MVX222XN002	SEPARATOR	1	6	Yes	Yes	Yes	Yes	Yes		98.09.28./99.02.25. REVISED No ->
06-015	5AAVSEPRT011	SEPARATOR ASSY	1	6							
06-039	5EZPB1015020501	HEATER LAMP C	1	1						100V	
06-042	5AAXTM003GEA	THERMISTOR ASSY	1	1							
06-040	5EZPB1015020502	HEATER LAMP S	1	1						100V	
06-042	5AAXTM009GEA	THERMISTOR ASSY	1	1	Yes	Yes	Yes	Yes	Yes		
06-043	5EYFFQ19001**01	THERMOSTAT 240V190° C	1	1	Yes	Yes	Yes	Yes	Yes		99.04.03. REVISED Yes ->
06-041	5EYFFQ19001**01	THERMOSTAT 240V190° C		1							99.04.03. ADDED
06-044	5EZPB1015020301	HEATER LAMP C	1	1	No	No	No	No	No	100V	
06-044	5EZPB1214220201	HEATER LAMP C	1	1	No	No	No	No	Yes	120V	
06-039	5EZPB1214220401	HEATER LAMP C	1	1						120V	
06-040	5EZPB1214220402	HEATER LAMP S	1	1						120V	
06-044	5EZPB2412120201	HEATER LAMP C	1	1	Yes	Yes	Yes	Yes	No	240V	
06-044	5EZPB2412120401	HEATER LAMP C	1	1							
06-045	5EZPB1015020401	HEATER LAMP S	1	1	No	No	No	No	No	100V	
06-045	5EZPB1214220301	HEATER LAMP S	1	1	No	No	No	No	Yes	120V	
06-045	5EZPB2412120301	HEATER LAMP S	1	1	Yes	Yes	Yes	Yes	No	240V	
06-045	5EZPB2412120402	HEATER LAMP S	1	1							
06-049	5AAXTM009GEA	THERMISTOR ASSY	1	1							
06-049	5AAXTM013GEA	THERMISTOR ASSY	1	1							

REF.NO	PART CODE	DESCRIPTION	ISP	USED	FS-7000+					NOTE
					KEE	KEU	KEF	KEA	KEI	
09-031	5AACCNQB3GEA	CONN. CORD ASSY		1	No	No	No	No	No	98.09.28. DELETED
09-031	5AACCNQK4GEA	CONN. CORD ASSY		1	No	No	No	No	No	
09-031	5AACCNQT0GEA	CONN. CORD ASSY		1	Yes	Yes	Yes	Yes	Yes	

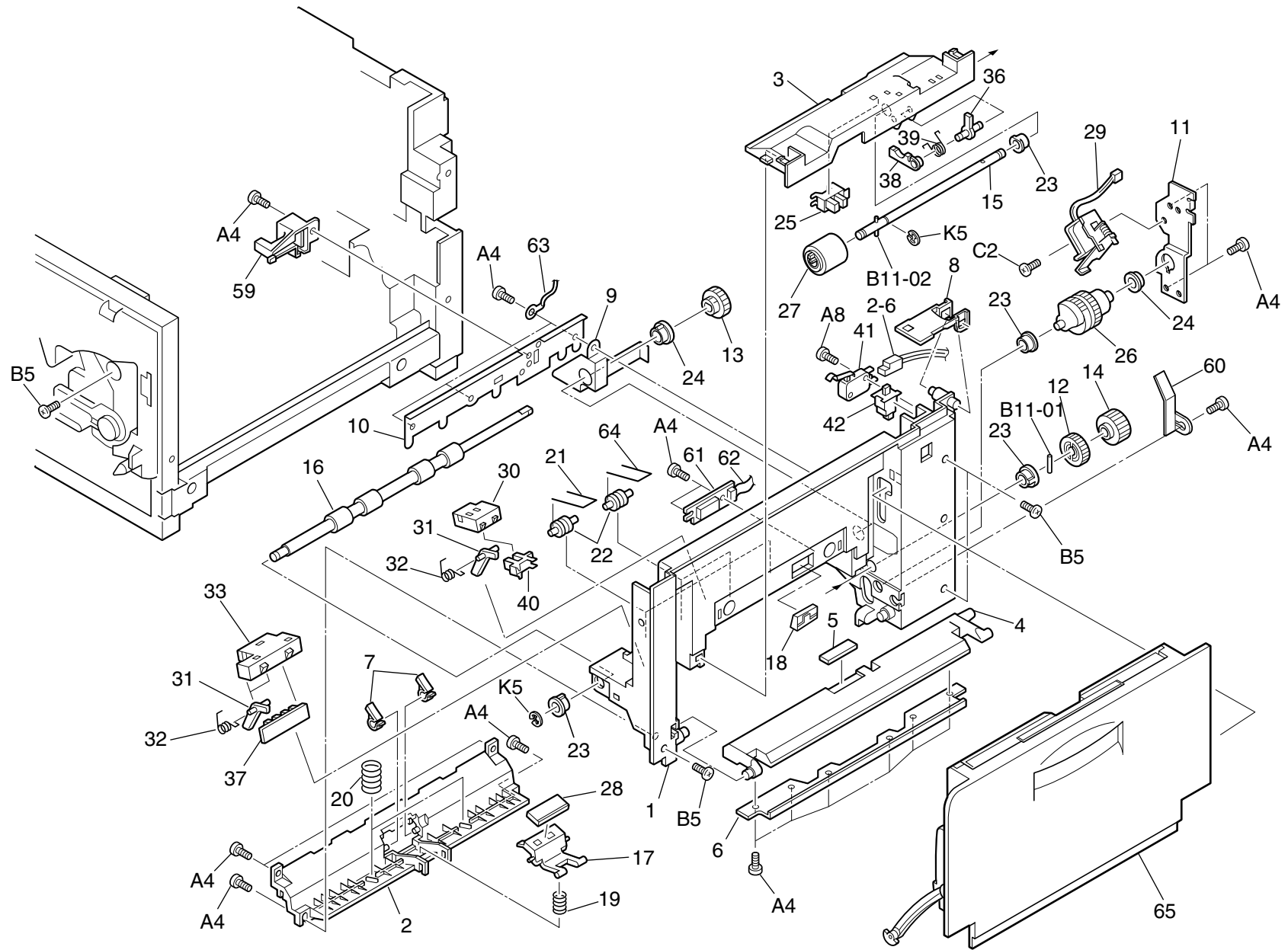


# 8. Developer unit (10-)



REF.NO	PART CODE	DESCRIPTION	ISP	USED	FS-7000+					NOTE
					KEE	KEU	KEF	KEA	KEI	
10A-01	5AAY7000E*20	TONER MOTOR ASSY		1	Yes	Yes	Yes	Yes	Yes	

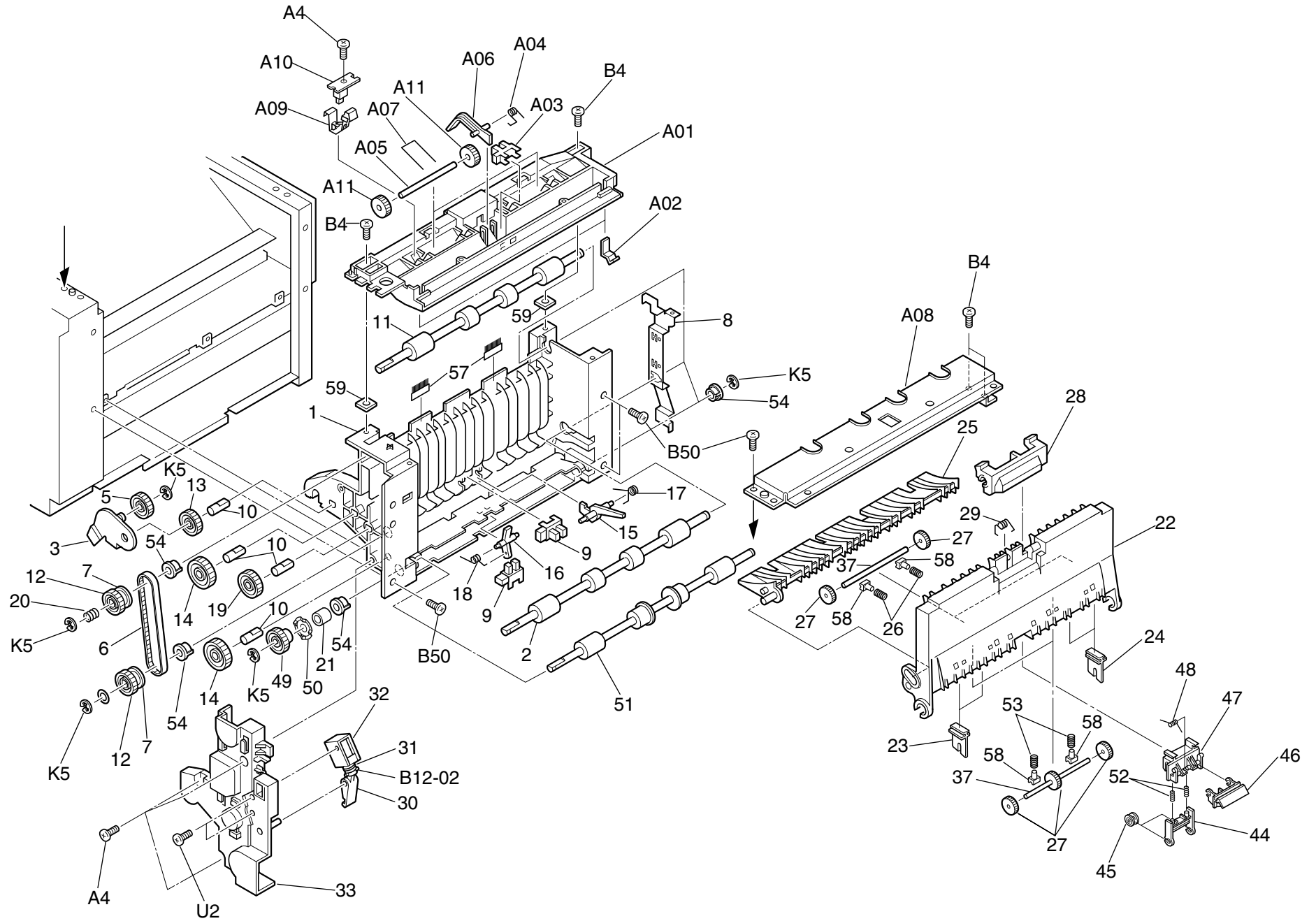
# 9. Multi-purpose tray (11-)



REF.NO	PART CODE	DESCRIPTION	ISP	USED	FS-7000+					NOTE
					KEE	KEU	KEF	KEA	KEI	
11-001	5MVX976CH001	FRAME RIGHT		1	Yes	Yes	Yes	Yes	Yes	
11-002	5MVX774CH001	FRAME BOTTOM		1	Yes	Yes	Yes	Yes	Yes	
11-003	5MVB863CH001	HOLDER FEED		1	Yes	Yes	Yes	Yes	Yes	
11-004	5MVB852CB002	PLATE BOTTOM		1	No	No	No	No	No	
11-004	5MVB852CB003	PLATE BOTTOM		1	Yes	Yes	Yes	Yes	Yes	
11-005	5MVS427XN001	PAD FRICTION		1	Yes	Yes	Yes	Yes	Yes	
11-006	5MML831SL002	SUPPORT BOTTOM		1	Yes	Yes	Yes	Yes	Yes	
11-007	5MVX211DH001	LEVER RETURN		2	No	No	No	No	No	
11-008	5MVX632SB014	LEVER INTER LOCK		1	Yes	Yes	Yes	Yes	Yes	
11-009	5MMX543LD003	PLATE EARTH MPF		1	Yes	Yes	Yes	Yes	Yes	
11-010	5MML732SL004	PLATE EARTH EF		1	Yes	Yes	Yes	Yes	Yes	
11-011	5MMS657SL016	BKT CLUTCH		1	Yes	Yes	Yes	Yes	Yes	
11-012	5MVG137DN016	GEAR FEED Z22		1	Yes	Yes	Yes	Yes	Yes	
11-013	5MVG138DN026	GEAR MD Z26		1	Yes	Yes	Yes	Yes	Yes	
11-014	5MVG137DN015	GEAR Z22		1	Yes	Yes	Yes	Yes	Yes	
11-015	5MMT766SN005	SHAFT MPF		1	Yes	Yes	Yes	Yes	Yes	
11-016	5MMT866SN023	ROLLER MPF MID		1	Yes	Yes	Yes	Yes	Yes	
11-017	5MVX653CB001	BKT SEPARATOR		1	Yes	Yes	Yes	Yes	Yes	
11-018	5MVB322DN001	CAP CONNECT EF		1	Yes	Yes	Yes	Yes	Yes	
11-019	5MMW361LD012	SPRING SEPARATOR		1	No	No	No	No	No	
11-019	5MMW361SD003	SPRING SEPARATOR		1	Yes	Yes	Yes	Yes	Yes	
11-020	5MMW471LD001	SPRING BOTTOM		2	No	No	No	No	No	
11-020	5MMW471SD001	SPRING BOTTOM		2	Yes	Yes	Yes	Yes	Yes	
11-021	5MMW501LD001	SPRING PULLEY MD		2	Yes	Yes	Yes	Yes	Yes	
11-022	5MVM373DB001	PULLEY S		4	Yes	Yes	Yes	Yes	Yes	
11-023	5MVM176DB012	BUSH POM B		4	Yes	Yes	Yes	Yes	Yes	
11-024	5MVM122DB004	BUSH POM EW		2	Yes	Yes	Yes	Yes	Yes	
11-025	5ENXGP1A73A**01	PT.SENSOR GP1A73AZ		1	Yes	Yes	Yes	Yes	Yes	
11-026	5AAVCLTCH007	CLUTCH ASSY	1	1	Yes	Yes	Yes	Yes	Yes	
11-027	5AAVR0LL*030	ROLLER FEED ASSY	1	1	Yes	Yes	Yes	Yes	Yes	
11-028	5AAM7000E*01	SEPARATOR ASSY	1	1	Yes	Yes	Yes	Yes	Yes	
11-029	5EZSZ2401210101	SOLENOID TDS-F12G-1	1	1	Yes	Yes	Yes	Yes	Yes	
11-030	5MVB542SB001	BKT SENSOR A		1	Yes	Yes	Yes	Yes	Yes	
11-031	5MVX422DB006	ACTUATOR EF		1	Yes	Yes	Yes	Yes	Yes	
11-032	5MMW161LD028	SPRING ACT EF		1	Yes	Yes	Yes	Yes	Yes	
11-033	5MVB642SB010	BKT SENSOR B		1	Yes	Yes	Yes	Yes	Yes	
11-036	5MVX331SB007	ACTUATOR MPF A		1	Yes	Yes	Yes	Yes	Yes	
11-037	5AAPRSSC1017AH	P.W.BOARD ASSY		1	Yes	Yes	Yes	Yes	Yes	MPFSIZE KP-576
11-038	5MVX311DB010	ACTUATOR MPF B		1	Yes	Yes	Yes	Yes	Yes	
11-039	5MMW161LD027	SPRING ACT MPF		1	Yes	Yes	Yes	Yes	Yes	
11-040	5ENXGP1A73A**01	PT.SENSOR GP1A73AZ		1	Yes	Yes	Yes	Yes	Yes	
11-041	5ESM010242***01	MICRO SWITCH 01X02	1	1	Yes	Yes	Yes	Yes	Yes	98.10.12. REVISED 01O242***01 -> 01024
11-042	5ESP01000101*01	PUSH SWITCH 01 SN		1	Yes	Yes	Yes	Yes	Yes	
11-050	5MVB873CH001	COVER TRAY		1	Yes	Yes	Yes	Yes	Yes	98.09.29. DELETED
11-051	5MVB873CH002	TRAY A		1	Yes	Yes	Yes	Yes	Yes	98.09.29. DELETED
11-052	5MVS871SH001	TRAY B		0	Yes	Yes	Yes	Yes	Yes	98.09.29. DELETED
11-053	5MVS761CH001	TRAY C		0	Yes	Yes	Yes	Yes	Yes	98.09.29. DELETED

REF.NO	PART CODE	DESCRIPTION	ISP	USED	FS-7000+					NOTE
					KEE	KEU	KEF	KEA	KEI	
11-054	5MVX773SH001	GUIDE PAPER R		0	Yes	Yes	Yes	Yes	Yes	98.09.29. DELETED
11-055	5MVX773SH002	GUIDE PAPER L		0	Yes	Yes	Yes	Yes	Yes	98.09.29. DELETED
11-056	5MVH622DH001	ARM TRAY R		1	Yes	Yes	Yes	Yes	Yes	98.09.29. DELETED
11-057	5MVH622DH002	ARM TRAY L		1	Yes	Yes	Yes	Yes	Yes	98.09.29. DELETED
11-058	5MVG127SH003	GEAR MANUAL		1	Yes	Yes	Yes	Yes	Yes	98.09.29. DELETED
11-059	5AAY7000E*53	SENSOR ETON ASSY	1	1	Yes	Yes	Yes	Yes	Yes	
11-060	5MMX433LD005	STOPPER CAM		1	Yes	Yes	Yes	Yes	Yes	
11-061	5AAPRIFC1009BH	P.W.BOARD ASSY	1	1	Yes	Yes	Yes	Yes	Yes	ENVELOPE KP-502
11-062	5AACCNQC8GEA	CONN. CORD ASSY		1	Yes	Yes	Yes	Yes	Yes	
11-063	5AACCNQB9GEA	CONN. CORD ASSY		1	Yes	Yes	Yes	Yes	Yes	
11-064	5MMW501LD002	SPRING PULLEY EF		2	Yes	Yes	Yes	Yes	Yes	
11-065	5AAVTRAY*011	TRAY MPF ASSY		1	Yes	Yes	Yes	Yes	Yes	98.09.29. ADDED

# 10. Face-down unit (12-)



REF.NO	PART CODE	DESCRIPTION	ISP	USED	FS-7000+					NOTE
					KEE	KEU	KEF	KEA	KEI	
12-001	5MVX876SH018	FRAME FD		1	Yes	Yes	Yes	Yes	Yes	
12-002	5MMT865SN006	ROLLER EXIT A		1	Yes	Yes	Yes	Yes	Yes	
12-003	5MMS647SD001	PLATE JOINT FD		1	Yes	Yes	Yes	Yes	Yes	
12-005	5MVG148DB010	GEAR FEED Z34		1	Yes	Yes	Yes	Yes	Yes	
12-006	5MVG389RB001	BELT FD		1	Yes	Yes	Yes	Yes	Yes	
12-007	5MVG327DN003	PULLEY P26		2	Yes	Yes	Yes	Yes	Yes	
12-008	5MMX743LD003	PLATE EARTH FD		1	Yes	Yes	Yes	Yes	Yes	
12-009	5ENXGP1A73A**01	PT.SENSOR GP1A73AZ		2	Yes	Yes	Yes	Yes	Yes	
12-010	5MMT266SN003	PIN FD A		4	Yes	Yes	Yes	Yes	Yes	
12-011	5MMT865SN007	ROLLER EXIT B		1	Yes	Yes	Yes	Yes	Yes	
12-012	5MVG138DN033	GEAR Z29S		2	Yes	Yes	Yes	Yes	Yes	
12-013	5MVG148DH001	GEAR IDLE Z33		1	Yes	Yes	Yes	Yes	Yes	
12-014	5MVG148DB009	GEAR IDLE Z40		2	Yes	Yes	Yes	Yes	Yes	
12-015	5MVX443SB003	ACTUATOR FD	1	1	Yes	Yes	Yes	Yes	Yes	
12-016	5MVX322DB017	ACTUATOR FU	1	1	Yes	Yes	Yes	Yes	Yes	
12-017	5MMW164LD001	SPRING FD		1	Yes	Yes	Yes	Yes	Yes	
12-018	5MMW153LD003	SPRING FU		1	Yes	Yes	Yes	Yes	Yes	
12-019	5MVG148DB030	GEAR Z38S		1	Yes	Yes	Yes	Yes	Yes	
12-020	5MMW266LD006	SPRING PRESS A		1	Yes	Yes	Yes	Yes	Yes	
12-021	5MVM166AN001	COLLAR		1	Yes	Yes	Yes	Yes	Yes	
12-022	5MVX874SH002	COVER FD		1	Yes	Yes	Yes	Yes	Yes	
12-023	5MVX321SH004	HOLDER FD R		2	Yes	Yes	Yes	Yes	Yes	
12-024	5MVX321SH005	HOLDER FD L		2	Yes	Yes	Yes	Yes	Yes	
12-025	5MVX863CB003	GUIDE CHANGE		1	Yes	Yes	Yes	Yes	Yes	
12-026	5MMW245LD001	SPRING EXIT		4	Yes	Yes	Yes	Yes	Yes	
12-027	5MVM174DB002	PULLEY EXIT		10	Yes	Yes	Yes	Yes	Yes	
12-028	5MVX633SH007	LATCH FD		1	Yes	Yes	Yes	Yes	Yes	
12-029	5MMW256LD001	SPRING LATCH		1	Yes	Yes	Yes	Yes	Yes	
12-030	5MVX421SB018	ACTUATOR SOL		1	Yes	Yes	Yes	Yes	Yes	
12-032	5EZZ2401020101	SOLENOID		1	Yes	Yes	Yes	Yes	Yes	
12-033	5MVX774SB013	COVER SIDE		1	No	No	No	No	No	
12-033	5MVX774SB014	COVER SIDE		1	Yes	Yes	Yes	Yes	Yes	
12-037	5MMT733SN004	SHAFT EXIT		4	Yes	Yes	Yes	Yes	Yes	
12-038	5MVX532SB006	ACTUATOR FULL	1	1	Yes	Yes	Yes	Yes	Yes	98.09.29. REVISED
12-044	5MVX331SH001	HOLDER PULLEY		1	Yes	Yes	Yes	Yes	Yes	
12-045	5MVX111DB009	PULLEY STOCKER		2	Yes	Yes	Yes	Yes	Yes	
12-046	5MVX332SH002	STOCKER		1	Yes	Yes	Yes	Yes	Yes	
12-047	5MVX422SH002	BASE STOCKER		1	Yes	Yes	Yes	Yes	Yes	
12-048	5MMW605LD003	SPRING STOCKER		1	Yes	Yes	Yes	Yes	Yes	
12-049	5MVG138DN036	GEAR Z29S A		1	Yes	Yes	Yes	Yes	Yes	
12-050	5MMX331LD001	WASHER WAVE		1	Yes	Yes	Yes	Yes	Yes	
12-051	5MMT865SN008	ROLLER EXIT C		1	Yes	Yes	Yes	Yes	Yes	
12-052	5MMW143LD001	SPRING PULLEY		2	Yes	Yes	Yes	Yes	Yes	
12-053	5MMW245LD002	SPRING EXIT A		4	Yes	Yes	Yes	Yes	Yes	
12-054	5MMM121CX001	BUSH DRUM		6	Yes	Yes	Yes	Yes	Yes	
12-055	5AACCNQB8GEA	CONN. CORD ASSY		0	-	-	-	-	-	98.09.29. DELETED
12-055	5AACCNQU3GEA	CONN. CORD ASSY		1	Yes	Yes	Yes	Yes	Yes	



REF.NO	PART CODE	DESCRIPTION	ISP	USED	FS-7000+					NOTE
					KEE	KEU	KEF	KEA	KEI	
12-056	5AACCNQF9GEA	CONN. CORD ASSY		1	Yes	Yes	Yes	Yes	Yes	98.09.29. DELETED
12-056	5AACCNQS9GEA	CONN. CORD ASSY		1	Yes	Yes	Yes	Yes	Yes	
12-057	5MVS526FF001	DISCHARGER FD		2	Yes	Yes	Yes	Yes	Yes	
12-058	5MVF111DN005	BUSH SP		8	Yes	Yes	Yes	Yes	Yes	
12-031	5MMW261LJ032	SPRING SOL	1	1	Yes	Yes	Yes	Yes	Yes	
12A-01	5MVX864CH001	GUIDE FD		1						
12A-01	5MVX864SH008	GUIDE FD		1	Yes	Yes	Yes	Yes	Yes	
12A-02	5MVX332DH001	SNAP		2	Yes	Yes	Yes	Yes	Yes	
12A-03	5ENXGP1A73A**01	PT.SENSOR GP1A73AZ		1	Yes	Yes	Yes	Yes	Yes	
12A-04	5MMW453LD001	SPRING FULL		1	Yes	Yes	Yes	Yes	Yes	
12A-05	5MMT733SN004	SHAFT EXIT		2	Yes	Yes	Yes	Yes	Yes	
12A-06	5MVX532SB006	ACTUATOR FULL	1	1	Yes	Yes	Yes	Yes	Yes	
12A-07	5MMW606LD003	SPRING FD EXIT		2	Yes	Yes	Yes	Yes	Yes	
12A-08	5MMS967SD001	PLATE FD		1	Yes	Yes	Yes	Yes	Yes	
12A-09	5MMX662LD005	PLATE SWITCH		1	Yes	Yes	Yes	Yes	Yes	
12A-10	5AAPRZZC1048AH	P.W.BOARD ASSY	1	1	Yes	Yes	Yes	Yes	Yes	COVER KP-552
12A-11	5MVM174DB002	PULLEY EXIT		4	Yes	Yes	Yes	Yes	Yes	
2A-017	5AAPRIFC1017AH	P.W.BOARD ASSY	1	1						DVRLY KP-560
2B-014	5ENXGP1A73A**01	PT SENSOR GP1A73AZ	1	1						
2B-016	5AAY7000E*46	TOWER SENSOR ASSY	1	1						
2C-009	5MVM184NB001	FOOT	1	4						
B03-10	5MBE*687ZZ**	BALL BEARING		4	Yes	Yes	Yes	Yes	Yes	
B03-10	5MBP2525WPLD	PARALLEL PIN		1	Yes	Yes	Yes	Yes	Yes	
B04-14	5MBWG40854SZ	OT LOCK WASHER		1	Yes	Yes	Yes	Yes	Yes	
B11-01	5MBP2012WPLD	PARALLEL PIN		1	Yes	Yes	Yes	Yes	Yes	
B11-02	5MBP2012VWLD	SPRING PIN		1	Yes	Yes	Yes	Yes	Yes	
B12-02	5MBP2514VXSP	SPRING PIN		1	Yes	Yes	Yes	Yes	Yes	

REF.NO	PART CODE	DESCRIPTION	ISP	USED	FS-7000+					NOTE	
					KEE	KEU	KEF	KEA	KEI		
	5AACAC388BSA	AC CORD ASSY		1	No	No	No	No	No		
	5AACAC393ULA	AC CORD ASSY		1	No	No	No	No	Yes		
	5AACAC404ASA	AC CORD ASSY		1	No	No	No	Yes	No		
	5AACAC428EEA	AC CORD ASSY		1	Yes	No	Yes	No	No		
	5AACAC458BSA	AC CORD ASSY		1	No	Yes	No	No	No		
	5AAK70+E**01	PACKING ASSY		1	Yes	Yes	Yes	Yes	Yes		
	5AAK7000E*01	PACKING ASSY		1	No	No	No	No	No		
	5AAK9000MT01	PACKING ASSY		1							
	5AAM1700E*02	CD ROM		1	Yes	Yes	Yes	Yes	Yes		
	5AAM7000E*02	CD ROM		1	No	No	No	No	No		
	5AAPMEG4021DQ	P.W.BOARD ASSY		1						DIMM	
	5AAPRMEG4018AH	P.W.B. ASSY KP-537	1	1	No	No	No	No	No	DIMM KP-537	98.03.18
	5AAPRMEG4019QH	P.W.B. ASSY KP-610	1	1	Yes	Yes	Yes	Yes	Yes	DIMM	
	5AAPRMEG4019VH	P.W.BOARD ASSY	1	1						DIMM	
	5AAPRMEG4021AQ	P.W.BOARD ASSY	1	1							
	5AAPRMEG4021BQ	P.W.B. ASSY KP-691	1	1	No	No	No	No	No	DIMM	
	5AAPRMEG4021CQ	P.W.BOARD ASSY	1	1						DIMM KP-691	
	5AAPRMEG4021DQ	P.W.BOARD ASSY	1	1						DIMM KP-691	