



FS-9000

Page Printer



Parts List

Published Dec. 2001

GENERAL PARTS LIST FOR MODEL 9000 SERIES

REF.NO	PART CODE	PART CODE 1	DESCRIPTION	ISP	USED	FS-9000												CHP-9000	DP-3600
						KEE	KEU	KEF	KEIS	KEA	KEI	BZL	PHN	KMSG	HKG	TWN	KMTH	CHU	MCA
	5PLPZYJAJK9		DK-30 (J) DRUM UNIT	1	1	No	No	No	No	No	No	No	No	No	No	No	No	No	No
	5PLPZYHAPKE		DK-30 DRUM UNIT	1	1	No	No	No	No	No	No	No	No	No	No	No	No	No	No
	5PLPX08AJMT		DK-30 DRUM UNIT	1	1	No	No	No	No	No	No	No	No	No	No	No	No	No	No
	5PLPZ2TAJK9		DK-33 (J) DRUM UNIT	1	1	No	No	No	No	No	No	No	No	No	No	No	No	No	No
	5PLPZ6ZANRN	5AAAY70+LE*03	DK-33 LEG DRUM UNIT	1	1	No	No	No	No	No	No	No	No	No	No	No	No	No	No
	5PLPX05AJMT		DK-33 DRUM UNIT	1	1	No	No	No	No	No	No	No	No	No	No	No	No	No	No
	5PLPZ0QAPKX		DK-33 DRUM UNIT	1	1	No	No	No	No	No	No	No	No	No	No	No	No	No	No
	5PLPXF8APKX		DK-33 DRUM UNIT (OEM)	1	1	No	No	No	No	No	No	No	No	No	No	No	No	No	No
	5PLPZ3NAEKX		DK-35 DRUM UNIT	1	1	Yes	Yes	Yes	Yes	Yes	Yes	Yes	Yes	Yes	Yes	Yes	Yes	No	No
	5PLPX10AJMT	5AAAY9000MT03	DK-35 DRUM UNIT (MITA)	1	1	No	No	No	No	No	No	No	No	No	No	No	No	No	Yes
	5PLPZ4NAJK9		DK-35 J DRUM UNIT	1	1	No	No	No	No	No	No	No	No	No	No	No	No	No	No
			DK-35	1	1	No	No	No	No	No	No	No	No	No	No	No	No	No	No
	5PLPXG7APKX		DK-35 DRUM UNIT (OEM)	1	1	No	No	No	No	No	No	No	No	No	No	No	No	Yes	No
	5PLPX18AEKE		DK-92M DRUM UNIT	1	1	No	No	No	No	No	No	No	No	No	No	No	No	No	No
	5AAAY7000E*06		DRIVE UNIT	1	1	No	No	No	No	No	No	No	No	No	No	No	No	No	No
	5AAAY70+E**04		DRIVE UNIT	1	1	No	No	No	No	No	No	No	No	No	No	No	No	No	No
	5AAAY9000E*06		DRIVE UNIT	1	1	Yes	Yes	Yes	Yes	Yes	Yes	Yes	Yes	Yes	Yes	Yes	Yes	Yes	Yes
03-053	5AAAY7000E*35		DRIVE A ASSY	1	1	No	No	No	No	No	No	No	No	No	No	No	No	No	No
	5PLPZ9QAPKX	5AAAY70+E**40	DRIVE A ASSY	1	1	No	No	No	No	No	No	No	No	No	No	No	No	No	No
	5PLPZ2RAPKX		DR-35A DRIVE UNIT	1	1	Yes	Yes	Yes	Yes	Yes	Yes	Yes	Yes	Yes	Yes	Yes	Yes	Yes	Yes
	5AAAY9000E*22		DRIVE A ASSY	1	1	Yes	Yes	Yes	Yes	Yes	Yes	Yes	Yes	Yes	Yes	Yes	Yes	Yes	Yes
03-054	5AAAY7000E*36		DRIVE B ASSY	1	1	No	No	No	No	No	No	No	No	No	No	No	No	No	No
	5PLPZ7QAPKX	5AAAY9000E*23	DR-35B DRIVE UNIT	1	1	Yes	Yes	Yes	Yes	Yes	Yes	Yes	Yes	Yes	Yes	Yes	Yes	Yes	Yes
03-055	5PLPZ4QAPKX	5AAAY7000E*37	DRIVE C ASSY	1	1	No	No	No	No	No	No	No	No	No	No	No	No	No	No
	5PLPZ5QAPKX	5AAAY9000E*24	DR-35C DRIVE UNIT	1	1	Yes	Yes	Yes	Yes	Yes	Yes	Yes	Yes	Yes	Yes	Yes	Yes	No	Yes
	5AAAY7000E*80		DRIVE GEAR A ASSY	1	1	No	No	No	No	No	No	No	No	No	No	No	No	No	No
	5PLPZYSAJK9		DV-30 (J) DEVELOPER UNIT	1	1	No	No	No	No	No	No	No	No	No	No	No	No	No	No
	5PLPZYRAPKE		DV-30 DEVELOPER UNIT	1	1	No	No	No	No	No	No	No	No	No	No	No	No	No	No
	5PLPX09AJMT		DV-30 DEVELOPER UNIT	1	1	No	No	No	No	No	No	No	No	No	No	No	No	No	No
	5PLPZ2NAJK9		DV-35 (J) DEVELOPER UNIT	1	1	No	No	No	No	No	No	No	No	No	No	No	No	No	No
	5PLPX02AJMT		DV-35 DEVELOPER UNIT (MITA)	1	1	No	No	No	No	No	No	No	No	No	No	No	No	No	Yes
	5PLPZ1NAEKX		DV-35 DEVELOPER UNIT	1	1	Yes	Yes	Yes	Yes	Yes	Yes	Yes	Yes	Yes	Yes	Yes	Yes	Yes	No
	5PLPZ7ZANRN	5AAAY70+LE*04	DV-35 LEG DEVELOPER UNIT	1	1	No	No	No	No	No	No	No	No	No	No	No	No	No	No
	5PLPXF9APKX		DV-35 DEVELOPER UNIT (OEM)	1	1	No	No	No	No	No	No	No	No	No	No	No	No	Yes	No
	5PLPX19AEKE		DV-92M DEVELOPER UNIT	1	1	No	No	No	No	No	No	No	No	No	No	No	No	No	No
	5PLPZ0RAPKX		FE-30 FEED TRANS UNIT	1	1	No	No	No	No	No	No	No	No	No	No	No	No	No	No
	5PLPZ1SAJK9		FE-30 (J) FEED TRANS UNIT	1	1	No	No	No	No	No	No	No	No	No	No	No	No	No	No
	5PLPZ3ZANRN	5AAAY7000MT11	FE-30 LEG FEED TRANS UNIT	1	1	No	No	No	No	No	No	No	No	No	No	No	No	No	No
	5PLPX04AJMT	5AAAY7000E*05	FE-30 FEED TRANS UNIT	1	1	No	No	No	No	No	No	No	No	No	No	No	No	No	No
	5PLPX30AJMT		FE-33 FEED UNIT	1	1	No	No	No	No	No	No	No	No	No	No	No	No	No	No
	5PLPX32APKX		FE-33 FEED UNIT	1	1	No	No	No	No	No	No	No	No	No	No	No	No	No	No
	5PLPX33AJK9		FE-33 J FEED UNIT	1	1	No	No	No	No	No	No	No	No	No	No	No	No	No	No
	5PLPXK6APKX		FE-33 FEED UNIT (OEM)	1	1	No	No	No	No	No	No	No	No	No	No	No	No	No	No
	5PLPZ2SAJK9		FE-35 (J) FEED TRANS UNIT	1	1	No	No	No	No	No	No	No	No	No	No	No	No	No	No

REF.NO	PART CODE	PART CODE 1	DESCRIPTION	ISP	USED	FS-9000											CHP-9000	DP-3600	
						KEE	KEU	KEF	KEIS	KEA	KEI	BZL	PHN	KMSG	HKG	TWN	KMTH	CHU	MCA
	5PLPZ1RAPKX		FE-35 FEED TRANS UNIT	1	1	Yes	Yes	Yes	Yes	Yes	Yes	Yes	Yes	Yes	Yes	Yes	Yes	No	No
	5PLPX03AJMT		FE-35 FEED TRANS UNIT (MITA)	1	1	No	No	No	No	No	No	No	No	No	No	No	No	No	Yes
	5PLPXG2APKX		FE-35 FEED TRANS UNIT (OEM)	1	1	No	No	No	No	No	No	No	No	No	No	No	No	Yes	No
		5AAY7028MU06	FE-92M FEED TRANS UNIT	1	1	No	No	No	No	No	No	No	No	No	No	No	No	No	No
	5PLPZYAPAKE		FK-30 (E) FUSER UNIT	1	1	No	No	No	No	No	No	No	No	No	No	No	No	No	No
	5PLPZ5JAEKE		FK-30 E UPG FUSER UNIT	1	1	No	No	No	No	No	No	No	No	No	No	No	No	No	No
	5PLPZYMAJK9		FK-30 (J) FUSER UNIT	1	1	No	No	No	No	No	No	No	No	No	No	No	No	No	No
	5PLPZYJAJK9		FK-30 J UPG FUSER UNIT	1	1	No	No	No	No	No	No	No	No	No	No	No	No	No	No
	5PLPZYQAAK1		FK-30 (U) FUSER UNIT	1	1	No	No	No	No	No	No	No	No	No	No	No	No	No	No
	5PLPZ6JAAK1		FK-30 U UPG FUSER UNIT	1	1	No	No	No	No	No	No	No	No	No	No	No	No	No	No
	5PLPZ4ZANRN	5AAY70+LE*13	FK-30 LEG FUSER UNIT	1	1	No	No	No	No	No	No	No	No	No	No	No	No	No	No
	5PLPX06AJMT		FK-30 FUSER UNIT	1	1	No	No	No	No	No	No	No	No	No	No	No	No	No	No
	5PLPXG0APKX		FK-30 (E) FUSER UNIT (OEM)	1	1	No	No	No	No	No	No	No	No	No	No	No	No	No	No
	5PLPZ7NAJK9		FK-35 J FUSER UNIT	1	1	No	No	No	No	No	No	No	No	No	No	No	No	No	No
	5PLPZ0NAAK1		FK-35 U FUSER UNIT	1	1	No	No	No	No	No	Yes	Yes	No	No	No	Yes	No	No	No
	5PLPZ9MAEKE		FK-35 E FUSER UNIT	1	1	Yes	Yes	Yes	Yes	Yes	No	No	Yes	Yes	Yes	No	Yes	No	No
	5PLPX29AJMT		FK-35 MITA FUSER UNIT	1	1	No	No	No	No	No	No	No	No	No	No	No	No	No	Yes
	5PLPXL8AEMT		FK-35 MITA FUSER UNIT	1	1	No	No	No	No	No	No	No	No	No	No	No	No	No	No
	5PLPXL7AJMT		FK-30 J FUSER UNIT	1	1	No	No	No	No	No	No	No	No	No	No	No	No	No	No
	5PLPXG8APKX		FK-35 (E) FUSER UNIT (OEM)	1	1	No	No	No	No	No	No	No	No	No	No	No	No	Yes	No
	5PLPX11AAK1		FK-92M U FUSER UNIT	1	1	No	No	No	No	No	No	No	No	No	No	No	No	No	No
	5PLPXM7APKX		FK-92M E FUSER UNIT	1	1	No	No	No	No	No	No	No	No	No	No	No	No	No	No
	5PLPZYKAPKE		LK-30 SCANNER UNIT	1	1	No	No	No	No	No	No	No	No	No	No	No	No	No	No
	5PLPZ5ZANLE		LK-30 LEG SCANNER UNIT	1	1	No	No	No	No	No	No	No	No	No	No	No	No	No	No
	5PLPXG1APKX		LK-30 SCANNER UNIT OEM	1	1	No	No	No	No	No	No	No	No	No	No	No	No	No	No
	5PLPZ5NAEK9	5AAY9000E*08	LK-35 SCANNER UNIT	1	1	Yes	Yes	Yes	Yes	Yes	Yes	Yes	Yes	Yes	Yes	Yes	Yes	No	Yes
	5PLPXG9APKX		LK-35 SCANNER UNIT (OEM)	1	1	No	No	No	No	No	No	No	No	No	No	No	No	Yes	No
	5PLPZ3AAJK9		TR-30 (J) TRANSFER UNIT	1	1	No	No	No	No	No	No	No	No	No	No	No	No	No	No
	5PLPX07AJMT		TR-30 TRANSFER UNIT	1	1	No	No	No	No	No	No	No	No	No	No	No	No	No	Yes
	5PLPZYAPAKE		TR-30 TRANSFER UNIT	1	1	No	No	No	No	No	No	No	No	No	No	No	No	No	No
	5PLPZ7PAJK9		TR-35 (J) TRANSFER UNIT	1	1	No	No	No	No	No	No	No	No	No	No	No	No	No	No
	5PLPZZANRN	5AAY7000MT12	TR-35 LEG TRANSFER UNIT	1	1	No	No	No	No	No	No	No	No	No	No	No	No	No	No
	5PLPZ6NAEKX		TR-35 TRANSFER UNIT	1	1	Yes	Yes	Yes	Yes	Yes	Yes	Yes	Yes	Yes	Yes	Yes	Yes	No	No
	5PLPXG3APKX		TR-35 TRANSFER UNIT (OEM)	1	1	No	No	No	No	No	No	No	No	No	No	No	No	Yes	No
	5AAY7000E*68	5AAY7000E*12	WASTE TONER CONVEYER	1	1	Yes	Yes	Yes	Yes	Yes	Yes	Yes	Yes	Yes	Yes	Yes	Yes	Yes	No
	5AAY7000J*13		WASTE TONER CONVEYER	1	1	No	No	No	No	No	No	No	No	No	No	No	No	No	No
	5AAY7000MT18		WASTE TONER CONVEYER	1	1	No	No	No	No	No	No	No	No	No	No	No	No	No	Yes
	5AAY70+LE*14	5AAY7000E*12	WASTE TONER CONVEYER	1	1	No	No	No	No	No	No	No	No	No	No	No	No	No	No
08-002	5AAY7000E*69		MCH UNIT	1	1	No	No	No	No	No	No	No	No	No	No	No	No	Yes	No
08-002	5AAY9000E*31	5AAY9000E*26	MCH UNIT	1	1	Yes	Yes	Yes	Yes	Yes	Yes	Yes	Yes	Yes	Yes	Yes	Yes	No	Yes
08-002	5AAY70+LE*15	5AAY70+LE*08	MCH ASSY	1	1	No	No	No	No	No	No	No	No	No	No	No	No	No	No
08-002		5AAY7000MT19	MCH E ASSY	1	1	No	No	No	No	No	No	No	No	No	No	No	No	No	No

REF.NO	PART CODE	PART CODE 1	DESCRIPTION	ISP	USED	FS-9000											CHP-9000		DP-3600	
						KEE	KEU	KEF	KEIS	KEA	KEI	BZL	PHN	KMSG	HKG	TWN	KMTH	CHU	MCA	
01-001	5MVB996SH005		COVER FRONT		1	No	No	No	No	No	No	No	No	No	No	No	No	No	No	
01-001	5MVB996SH007		COVER FRONT		1	No	No	No	No	No	No	No	No	No	No	No	No	No	No	
01-001	5MVB996SH008		COVER FRONT		1	Yes	Yes	Yes	Yes	Yes	Yes	Yes	Yes	Yes	Yes	Yes	Yes	Yes	No	
01-001	5MVB996SH009		COVER FRONT		1	No	No	No	No	No	No	No	No	No	No	No	No	No	No	
01-001	5MVB996SH010		COVER FRONT		1	No	No	No	No	No	No	No	No	No	No	No	No	No	Yes	
01-002	5MVS428AM001		PLATE ECOSYS		1	No	No	No	No	No	No	No	No	No	No	No	No	No	No	
01-002	5MVS428AM002		PLATE ECOSYS J		1	No	No	No	No	No	No	No	No	No	No	No	No	No	No	
01-002	5MVS428AM003		PLATE NAME		1	No	No	No	No	No	No	No	No	No	No	No	No	No	Yes	
01-002	5MVS428AM004		PLATE ECOSYS		1	Yes	Yes	Yes	Yes	Yes	No	No	Yes	Yes	Yes	Yes	Yes	No	No	
01-002	5MVS428AM005		PLATE ECOSYS J		1	No	No	No	No	No	Yes	Yes	No	No	No	No	No	No	No	
01-002	5MVS428AM006		PLATE NAME RC		1	No	No	No	No	No	No	No	No	No	No	No	No	No	Yes	
01-002	5MVS428AM007		PLATE LEG		1	No	No	No	No	No	No	No	No	No	No	No	No	No	No	
01-002	5MVS428AM008		PLATE CHP 7000+		1	No	No	No	No	No	No	No	No	No	No	No	No	No	No	
01-002	5MVS428AM009		PLATE CHP 9000		1	No	No	No	No	No	No	No	No	No	No	No	No	No	No	
01-003	5MMS627SW001		PLATE MAGNET CATCH		2	Yes	Yes	Yes	Yes	Yes	Yes	Yes	Yes	Yes	Yes	Yes	Yes	Yes	Yes	
01-004	5AAY7000E*54		HINGE FRONT L ASSY	1	1	No	No	No	No	No	No	No	No	No	No	No	No	No	No	
01-005	5AAY7000E*55		HINGE FRONT R ASSY	1	1	No	No	No	No	No	No	Yes	Yes	No	No	No	No	No	No	
01-005	5AAY7000E*55		HINGE FRONT R ASSY	1	2	Yes	Yes	Yes	Yes	Yes	Yes	Yes	Yes	Yes	Yes	Yes	Yes	Yes	Yes	
01-008	5AAY70+E**08		COVER PANEL E ASSY	1	1	Yes	Yes	Yes	Yes	Yes	Yes	Yes	Yes	Yes	Yes	Yes	Yes	No	No	
01-008	5AAY70+E**09		COVER PANEL G ASSY	1	1	Yes	Yes	Yes	Yes	Yes	Yes	Yes	Yes	Yes	Yes	Yes	Yes	No	No	
01-008	5AAY70+E**10		COVER PANEL F ASSY	1	1	Yes	Yes	Yes	Yes	Yes	Yes	Yes	Yes	Yes	Yes	Yes	Yes	No	No	
01-008	5AAY70+E**11		COVER PANEL S ASSY	1	1	Yes	Yes	Yes	Yes	Yes	Yes	Yes	Yes	Yes	Yes	Yes	Yes	No	No	
01-008	5AAY70+E**12		COVER PANEL I ASSY	1	1	Yes	Yes	Yes	Yes	Yes	Yes	Yes	Yes	Yes	Yes	Yes	Yes	No	No	
01-008	5AAY70+E**13		COVER PANEL D ASSY	1	1	Yes	Yes	Yes	Yes	Yes	Yes	Yes	Yes	Yes	Yes	Yes	Yes	No	No	
01-008	5AAY70+LE*05		COVER PANEL LEG ASSY	1	1	No	No	No	No	No	No	No	No	No	Yes	No	No	No	No	
01-008	5AAY7000E*59		COVER PANEL E ASSY	1	1	No	No	No	No	No	No	No	No	No	No	No	No	No	No	
01-008	5AAY7000E*60		COVER PANEL G ASSY	1	1	No	No	No	No	No	No	No	No	No	No	No	No	No	No	
01-008	5AAY7000E*61		COVER PANEL F ASSY	1	1	No	No	No	No	No	No	No	No	No	No	No	No	No	No	
01-008	5AAY7000E*62		COVER PANEL S ASSY	1	1	No	No	No	No	No	No	No	No	No	No	No	No	No	No	
01-008	5AAY7000E*63		COVER PANEL I ASSY	1	1	No	No	No	No	No	No	No	No	No	No	No	No	No	No	
01-008	5AAY7000E*64		COVER PANEL D ASSY	1	1	No	No	No	No	No	No	No	No	No	No	No	No	No	No	
01-008	5AAY7000J*10		COVER PANEL J ASSY	1	1	No	No	No	No	No	No	No	No	No	No	No	No	No	No	
01-008	5AAY7000MT06		COVER PANEL MT ASSY	1	1	No	No	No	No	No	No	No	No	No	No	No	No	No	Yes	
01-008	5AAY9000J*07		COVER PANEL J ASSY	1	1	No	No	No	No	No	No	No	No	No	No	No	No	No	No	
01-008	5AAY9000CH02		COVER PANEL CHP ASSY	1	1	No	No	No	No	No	No	No	No	No	No	No	No	Yes	No	
01-011	5MVX755SH001		COVER PANEL L		1	No	No	No	No	No	No	No	No	No	No	No	No	No	Yes	
01-012	5MVX755SH002		COVER PANEL R		1	Yes	Yes	Yes	Yes	Yes	Yes	Yes	Yes	Yes	Yes	Yes	Yes	No	Yes	
01-011	5MVX755SH003		COVER PANEL LJ		1	No	No	No	No	No	No	No	No	No	No	No	No	No	No	
01-011	5MVX755SH004		COVER PANEL L		1	Yes	Yes	Yes	Yes	Yes	Yes	Yes	Yes	Yes	Yes	Yes	Yes	No	No	
01-011	5MVX755SH005		COVER PANEL LJ		1	No	No	No	No	No	No	No	No	No	No	No	No	No	No	
01-011	5MVX755SH006		COVER PANEL L		1	No	No	No	No	No	No	No	No	No	No	No	No	No	No	
01-011	5MVX755SH008		COVER PANEL LJ		1	No	No	No	No	No	No	No	No	No	No	No	No	No	No	
01-013	5AABRCKT057		BKT RIGHT ASSY		1	Yes	Yes	Yes	Yes	Yes	Yes	Yes	Yes	Yes	Yes	Yes	Yes	Yes	Yes	
01-014	5MMB986SM003		COVER REAR		1	No	No	No	No	No	No	No	No	No	No	No	No	No	No	
01-014	5MMB986SM004		COVER REAR		1	Yes	Yes	Yes	Yes	Yes	Yes	Yes	Yes	Yes	Yes	Yes	Yes	Yes	Yes	
01-015	5MML782SM001		COVER MAIN		1	Yes	Yes	Yes	Yes	Yes	Yes	Yes	Yes	Yes	Yes	Yes	Yes	Yes	Yes	
01-017	5MVB661SH005		STOPPER PAPER	1	1	Yes	Yes	Yes	Yes	Yes	Yes	Yes	Yes	Yes	Yes	Yes	Yes	Yes	Yes	
01-018	5MVB772SH009		COVER STOPPER		1	Yes	Yes	Yes	Yes	Yes	Yes	Yes	Yes	Yes	Yes	Yes	Yes	Yes	Yes	

REF.NO	PART CODE	PART CODE 1	DESCRIPTION	ISP	USED	FS-9000											CHP-9000		DP-3600	
						KEE	KEU	KEF	KEIS	KEA	KEI	BZL	PHN	KMSG	HKG	TWN	KMTH	CHU	MCA	
01-019	5MVX621DW002		LOCK COVER		1	Yes	Yes	Yes	Yes	Yes	Yes	Yes	Yes	Yes	Yes	Yes	Yes	Yes	Yes	
01-020	5MVX664DH001		PLATE TOWER		1	Yes	Yes	Yes	Yes	Yes	Yes	Yes	Yes	Yes	Yes	Yes	Yes	Yes	Yes	
01-021	5MVX997SH001		COVER TOP		1	Yes	Yes	Yes	Yes	Yes	Yes	Yes	Yes	Yes	Yes	Yes	Yes	Yes	Yes	
01-022	5MVQ222RB006		RUBBER FRONT B		1	No	No	No	No	No	No	No	No	No	No	No	No	No	No	
01-023	5AAVC0VER185		LID TOP ASSY		1	No	No	No	No	No	No	No	No	No	No	No	No	No	No	
01-023	5AAVC0VER191		LID TOP J ASSY		1	No	No	No	No	No	No	No	No	No	No	No	No	No	No	
01-023	5AAVC0VER199		LID TOP J ASSY		1	No	No	No	No	No	No	No	No	No	No	No	No	No	No	
01-023	5AAVC0VER225		LID TOP ASSY		1	Yes	Yes	Yes	Yes	Yes	Yes	Yes	Yes	Yes	Yes	Yes	Yes	Yes	Yes	
01-023	5AAVC0VER001		LID TOP ASSY		1	No	No	No	No	No	No	No	No	No	No	No	No	No	No	
01-024	5AAY7000E*28		KEY BOARD ASSY	1	1	No	No	No	No	No	No	No	No	No	No	No	No	No	No	
01-024	5AAY9000E*13		KEY BOARD ASSY	1	1	Yes	Yes	Yes	Yes	Yes	Yes	Yes	Yes	Yes	Yes	Yes	Yes	Yes	Yes	
01-025	5MMX761SL003		BRACKET FAN		1	No	No	No	No	No	No	No	No	No	No	No	No	No	No	
01-026	5EZN2402501*03		FAN MOTOR	1	1	No	No	No	No	No	No	No	No	No	No	No	No	No	No	
01-027	5MVX421DH003		LOCK LID TOP F		1	Yes	Yes	Yes	Yes	Yes	Yes	Yes	Yes	Yes	Yes	Yes	Yes	Yes	Yes	
01-028	5MVX643DH001		LOCK LID TOP R		1	Yes	Yes	Yes	Yes	Yes	Yes	Yes	Yes	Yes	Yes	Yes	Yes	Yes	Yes	
01-029	5MVX853DG001		LEVER TOP		1	Yes	Yes	Yes	Yes	Yes	Yes	Yes	Yes	Yes	Yes	Yes	Yes	Yes	Yes	
01-030	5MMW465LD001		SPRING CONT A		2	Yes	Yes	Yes	Yes	Yes	Yes	Yes	Yes	Yes	Yes	Yes	Yes	Yes	Yes	
01-031	5MVB322DB001		PUSH CONTAIN		2	Yes	Yes	Yes	Yes	Yes	Yes	Yes	Yes	Yes	Yes	Yes	Yes	Yes	Yes	
01-037	5AAVTRAY*012		TRAY FU ASSY	1	1	Yes	Yes	Yes	Yes	Yes	Yes	Yes	Yes	Yes	Yes	Yes	Yes	Yes	Yes	
01-038	5MMX321SM001		CORD KEEP		2	Yes	Yes	Yes	Yes	Yes	Yes	Yes	Yes	Yes	Yes	Yes	Yes	Yes	Yes	
01-039	5MVX872SW001		TRAY FU B		1	Yes	Yes	Yes	Yes	Yes	Yes	Yes	Yes	Yes	Yes	Yes	Yes	Yes	Yes	
01-040	5MVX761SW001		TRAY FU C		1	Yes	Yes	Yes	Yes	Yes	Yes	Yes	Yes	Yes	Yes	Yes	Yes	Yes	Yes	
01-041	5MMX842SN002		PLATE TRAY F		1	Yes	Yes	Yes	Yes	Yes	Yes	Yes	Yes	Yes	Yes	Yes	Yes	Yes	Yes	
01-042	5MMX842SN003		PLATE TRAY R		1	Yes	Yes	Yes	Yes	Yes	Yes	Yes	Yes	Yes	Yes	Yes	Yes	Yes	Yes	
01-044	5MVX721CW001		LINK FU F		1	Yes	Yes	Yes	Yes	Yes	Yes	Yes	Yes	Yes	Yes	Yes	Yes	Yes	Yes	
01-045	5MVX721CW002		LINK FU R		1	Yes	Yes	Yes	Yes	Yes	Yes	Yes	Yes	Yes	Yes	Yes	Yes	Yes	Yes	
01-046	5MVX521SW007		HINGE FU F		1	Yes	Yes	Yes	Yes	Yes	Yes	Yes	Yes	Yes	Yes	Yes	Yes	Yes	Yes	
01-047	5MVX521SW008		HINGE FU R		1	Yes	Yes	Yes	Yes	Yes	Yes	Yes	Yes	Yes	Yes	Yes	Yes	Yes	Yes	
01-048	5MVX321DN011		SLIDER FU		2	Yes	Yes	Yes	Yes	Yes	Yes	Yes	Yes	Yes	Yes	Yes	Yes	Yes	Yes	
01-049	5MVS422XF002		SEAL ECOSYS		1	Yes	Yes	Yes	Yes	Yes	Yes	Yes	Yes	Yes	Yes	Yes	Yes	No	Yes	
01-051	5MVB722SW001		BKT TRAY FA		1	Yes	Yes	Yes	Yes	Yes	Yes	Yes	Yes	Yes	Yes	Yes	Yes	Yes	Yes	
01-052	5MVB722SW002		BKT TRAY RA		1	Yes	Yes	Yes	Yes	Yes	Yes	Yes	Yes	Yes	Yes	Yes	Yes	Yes	Yes	
01-053	5MVB622SW002		BKT TRAY FB		1	Yes	Yes	Yes	Yes	Yes	Yes	Yes	Yes	Yes	Yes	Yes	Yes	Yes	Yes	
01-054	5MVB622SW003		BKT TRAY RB		1	Yes	Yes	Yes	Yes	Yes	Yes	Yes	Yes	Yes	Yes	Yes	Yes	Yes	Yes	
01-055	5AACCNB1GEA		CONN. CORD ASSY		1	No	No	No	No	No	No	No	No	No	No	No	No	No	No	
01-055	5AACCNS8GEA		CONN. CORD ASSY		1	Yes	Yes	Yes	Yes	Yes	Yes	Yes	Yes	Yes	Yes	Yes	Yes	Yes	Yes	
01-056	5KKT70+E**QX		SHEET OPE. MANUAL		1	Yes	Yes	Yes	Yes	Yes	Yes	Yes	Yes	Yes	Yes	Yes	Yes	Yes	Yes	
01-056	5KKT7000E*QX		SHEET OPE. MANUAL		1	No	No	No	No	No	No	No	No	No	No	No	No	No	No	
01-056	5KKT7000J*QX		SHEET OPE. MANUAL		1	No	No	No	No	No	No	No	No	No	No	No	No	No	No	
01-058	5MVVL662GE33		LABEL DIAGRAM A		1	No	No	No	No	No	No	No	No	No	No	No	No	No	No	
01-058	5MVVL662GE35		LABEL DIAGRAM A(J)		1	No	No	No	No	No	No	No	No	No	No	No	No	No	No	
01-059	5MVVL762GE15		LABEL DIAGRAM B		1	No	No	No	No	No	No	No	No	No	No	No	No	No	No	
01-059	5MVVL762GE16		LABEL DIAGRAM B(J)		1	No	No	No	No	No	No	No	No	No	No	No	No	No	No	
01-059	5MVVL762WN26		LABEL DIAGRAM D		1	Yes	Yes	Yes	Yes	Yes	Yes	No	No	Yes	Yes	Yes	Yes	No	Yes	
01-059	5MVVL762WN27		LABEL DIAGRAM D(J)		1	No	No	No	No	No	No	No	No	No	No	No	No	No	No	
01-060	5MVVL662GE34		LABEL DIAGRAM C		1	Yes	Yes	Yes	Yes	Yes	Yes	Yes	Yes	Yes	Yes	Yes	Yes	Yes	Yes	
01-061	5AAVC0VER188		COVER REAR ASSY		1	No	No	No	No	No	No	No	No	No	No	No	No	No	No	
01-061	5AAVC0VER222		COVER REAR ASSY		1	Yes	Yes	Yes	Yes	Yes	Yes	No	Yes	Yes	Yes	Yes	Yes	Yes	Yes	

REF.NO	PART CODE	PART CODE 1	DESCRIPTION	ISP	USED	FS-9000											CHP-9000		DP-3600	
						KEE	KEU	KEF	KEIS	KEA	KEI	BZL	PHN	KMSG	HKG	TWN	KMTH	CHU	MCA	
01-062	5MVX985SW001		COVER LEFT		1	Yes	Yes	Yes	Yes	Yes	Yes	Yes	Yes	Yes	Yes	Yes	Yes	Yes	Yes	Yes
01-063	5MVB984SW005		COVER RIGHT		1	Yes	Yes	Yes	Yes	Yes	Yes	Yes	Yes	Yes	Yes	Yes	Yes	Yes	Yes	Yes
01-064	5MVQ222RB005		RUBBER FRONT		2	Yes	Yes	Yes	Yes	Yes	Yes	Yes	Yes	Yes	Yes	Yes	Yes	Yes	Yes	Yes
01-064	5MVQ222RB005		RUBBER FRONT		3	Yes	Yes	Yes	Yes	Yes	Yes	Yes	Yes	Yes	Yes	Yes	Yes	Yes	Yes	Yes
01-A01	5AAY70+CH*14		COVER PANEL R ASSY		1	No	No	No	No	No	No	No	No	No	No	No	No	Yes	No	No
02-001	5AACCNAQ6GEA		CONN. CORD ASSY		1	No	No	No	No	No	No	No	No	No	No	No	No	No	No	No
02-002	5AACCNAQ7GEA		CONN. CORD ASSY		1	No	No	No	No	No	No	No	No	No	No	No	No	No	No	No
02-003	5AACCNAQ9GEA		CONN. CORD ASSY		1	Yes	Yes	Yes	Yes	Yes	Yes	Yes	Yes	Yes	Yes	Yes	Yes	Yes	Yes	Yes
02-004	5AACCNQB0GEA		CONN. CORD ASSY		1	No	No	No	No	No	No	No	No	No	No	No	No	No	No	No
02-005	5AACCNQC0GEA		CONN. CORD ASSY		1	No	No	No	No	No	No	No	No	No	No	No	No	No	No	No
02-006	5AACCNQC2GEA		CONN. CORD ASSY		1	No	No	No	No	No	No	No	No	No	No	No	No	No	No	No
02A-01	5MVB976CB002		FRAME FRONT		1	No	No	No	No	No	No	No	Yes	No	No	No	No	No	No	No
02A-02	5MVF775SB001		ARM LEVER DLP		1	Yes	Yes	Yes	Yes	Yes	Yes	Yes	Yes	Yes	Yes	Yes	Yes	Yes	Yes	Yes
02A-03	5MVN754SG001		LEVER DLP A		1	No	No	No	No	No	No	No	No	No	No	No	No	No	No	No
02A-03	5MVN754SG002		LEVER DLP		1	Yes	Yes	Yes	Yes	Yes	Yes	Yes	Yes	Yes	Yes	Yes	Yes	Yes	Yes	Yes
02A-06	5MVN240DG001		LEVER DRUM		1	Yes	Yes	Yes	Yes	Yes	Yes	Yes	Yes	Yes	Yes	Yes	Yes	Yes	Yes	Yes
02A-06	5MVX753DG001		LEVER DRUM		1	No	No	No	No	No	No	No	No	No	No	No	No	No	No	No
02A-07	5MVX432DB008		LOCK DRUM		1	No	No	No	No	No	No	No	No	No	No	No	No	No	No	No
02A-08	5MMW566LD002		SPRING LEVER DRUM		1	No	No	No	No	No	No	No	No	No	No	No	No	No	No	No
02A-09	5MVX643SB008		BKT PWB		1	No	No	No	No	No	No	No	No	No	No	No	No	No	No	No
02A-10	5MMW465LD002		SPRING LOCK DRUM		1	No	No	No	No	No	No	No	No	No	No	No	No	No	No	No
02A-10	5MMW466SY001		SPRING LEVER DRUM		1	Yes	Yes	Yes	Yes	Yes	Yes	Yes	Yes	Yes	Yes	Yes	Yes	Yes	Yes	Yes
02A-11	5MVX766SB014		GUIDE DLP REAR		1	Yes	Yes	Yes	Yes	Yes	Yes	Yes	Yes	Yes	Yes	Yes	Yes	Yes	Yes	Yes
02A-12	5MVL854SB002		TRAY RAIL		1	Yes	Yes	Yes	Yes	Yes	Yes	Yes	Yes	Yes	Yes	Yes	Yes	Yes	Yes	Yes
02A-13	5MVL655SB001		RAIL DLP F		1	Yes	Yes	Yes	Yes	Yes	Yes	Yes	Yes	Yes	Yes	Yes	Yes	Yes	Yes	Yes
02A-14	5MMB965SD001		RAIL DLP		1	Yes	Yes	Yes	Yes	Yes	Yes	Yes	Yes	Yes	Yes	Yes	Yes	Yes	Yes	Yes
02A-16	5AAPRSWC1007AH		P.W.BOARD ASSY	1	1	No	No	No	No	No	No	No	No	No	No	No	No	No	No	No
02A-17	5AAPRIFC1017AH		P.W.BOARD ASSY	1	1	Yes	Yes	Yes	Yes	Yes	Yes	Yes	Yes	Yes	Yes	Yes	Yes	Yes	Yes	Yes
02A-18	5AACCNQC1GEA		CONN. CORD ASSY		1	No	No	No	No	No	No	No	No	No	No	No	No	No	No	No
02A-18	5AACCNQS6GEA		CONN. CORD ASSY		1	Yes	Yes	Yes	Yes	Yes	Yes	Yes	Yes	Yes	Yes	Yes	Yes	Yes	Yes	Yes
02A-19	5AACCNQC9GEA		CONN. CORD ASSY		1	Yes	Yes	Yes	Yes	Yes	Yes	Yes	Yes	Yes	Yes	Yes	Yes	Yes	Yes	Yes
02A-20	5AACCNQE8GEA		CONN. CORD ASSY		1	Yes	Yes	Yes	Yes	Yes	Yes	Yes	Yes	Yes	Yes	Yes	Yes	Yes	Yes	Yes
02A-21	5MMC834SD001		PLATE FRAME SIDE		2	Yes	Yes	Yes	Yes	Yes	Yes	Yes	Yes	Yes	Yes	Yes	Yes	Yes	Yes	Yes
02A-22	5MMC933SD001		PLATE FRAME		2	Yes	Yes	Yes	Yes	Yes	Yes	Yes	Yes	Yes	Yes	Yes	Yes	Yes	Yes	Yes
02A-23	5AAVMGNET005		MAGNET CATCHER		2	Yes	Yes	Yes	Yes	Yes	Yes	Yes	Yes	Yes	Yes	Yes	Yes	Yes	Yes	Yes
02A-25	5MVVL421WN37		LABEL DK35F		1	Yes	Yes	Yes	Yes	Yes	Yes	Yes	Yes	No	No	Yes	No	Yes	No	No
02A-26	5MVVL421WN38		LABEL DV35F		1	Yes	Yes	Yes	Yes	Yes	Yes	Yes	Yes	No	No	Yes	No	Yes	No	No
02A-27	5MVB622DG001		LEVER LOCK FEED		1	Yes	Yes	Yes	Yes	Yes	Yes	Yes	Yes	Yes	Yes	Yes	Yes	Yes	Yes	Yes
02A-28	5MVVL622WN02		LABEL FRAME FRONT		1	No	No	No	No	No	No	No	No	No	No	No	No	No	No	No
02A-28	5MVVL622WN03		LABEL FRAME FRONT		1	Yes	Yes	Yes	Yes	Yes	Yes	Yes	Yes	Yes	Yes	Yes	Yes	Yes	Yes	Yes
02B-02	5MMC764LD001		PLATE CON A		1	No	No	No	No	No	No	No	No	No	No	No	No	No	No	No
02B-03	5MVX643DB003		ACTUATOR JOINT		1	Yes	Yes	Yes	Yes	Yes	Yes	Yes	Yes	Yes	Yes	Yes	Yes	Yes	Yes	Yes
02B-04	5MMW176LD001		SPRING JOINT		1	Yes	Yes	Yes	Yes	Yes	Yes	Yes	Yes	Yes	Yes	Yes	Yes	Yes	Yes	Yes
02B-05	5MMP433LD002		PLATE BIAS		1	Yes	Yes	Yes	Yes	Yes	Yes	Yes	Yes	Yes	Yes	Yes	Yes	Yes	Yes	Yes
02B-05	5MVX421SB019		LOCK LEVER DLP		1	No	No	No	No	No	No	Yes	Yes	No	No	No	No	No	No	No
02B-06	5MVB533SB005		COVER PWB CONT		1	Yes	Yes	Yes	Yes	Yes	Yes	Yes	Yes	Yes	Yes	Yes	Yes	Yes	Yes	Yes
02B-07	5MMM311SZ001		PIN HV CONTACT		3	Yes	Yes	Yes	Yes	Yes	Yes	Yes	Yes	Yes	Yes	Yes	Yes	Yes	Yes	Yes
02B-08	5MMW311LD003		SPRING HV CONTACT		3	Yes	Yes	Yes	Yes	Yes	Yes	Yes	Yes	Yes	Yes	Yes	Yes	Yes	Yes	Yes

REF.NO	PART CODE	PART CODE 1	DESCRIPTION	ISP	USED	FS-9000												CHP-9000		DP-3600	
						KEE	KEU	KEF	KEIS	KEA	KEI	BZL	PHN	KMSG	HKG	TWN	KMTH	CHU	MCA		
02B-09	5MVB632SB009		COVER CONTACT		1	Yes	Yes	Yes	Yes	Yes	Yes	Yes	Yes	Yes	Yes	Yes	Yes	Yes	Yes		
02B-10	5MMW605LD002		SPRING MAIN A		1	Yes	Yes	Yes	Yes	Yes	Yes	Yes	Yes	Yes	Yes	Yes	Yes	Yes	Yes		
02B-11	5AAXRD016GEA		HIGH-MEG.R.ASSY		1	Yes	Yes	Yes	Yes	Yes	Yes	Yes	Yes	Yes	Yes	Yes	Yes	Yes	Yes		
02B-12	5EZNF2403202*01		FAN MOTOR	1	1	Yes	Yes	Yes	Yes	Yes	Yes	Yes	Yes	Yes	Yes	Yes	Yes	Yes	Yes		
02B-14	5ENXGP1A73A**01		PT SENSOR GP1A73AZ	1	1	Yes	Yes	Yes	Yes	Yes	Yes	No	No	Yes	Yes	Yes	Yes	Yes	Yes		
02B-15	5MVX874SB003		CASE BELT GUIDE		1	Yes	Yes	Yes	Yes	Yes	Yes	Yes	Yes	Yes	Yes	Yes	Yes	Yes	Yes		
02B-16	5AAY7000E*46		TOWER SENSOR ASSY	1	1	Yes	Yes	Yes	Yes	Yes	Yes	Yes	Yes	Yes	Yes	Yes	Yes	Yes	Yes		
02B-17	5MVX552SB006		INTERRUPT SENSOR		1	Yes	Yes	Yes	Yes	Yes	Yes	Yes	Yes	Yes	Yes	Yes	Yes	Yes	Yes		
02B-18	5MMW172SD001		SP INTERRUPT SENSOR		1	Yes	Yes	Yes	Yes	Yes	Yes	Yes	Yes	Yes	Yes	Yes	Yes	Yes	Yes		
02B-21	5AAPRZC1048BH		P.W.BOARD ASSY	1	1	Yes	Yes	Yes	Yes	Yes	Yes	Yes	Yes	Yes	Yes	Yes	Yes	Yes	Yes		
02B-22	5AAPRIFC1016AH		P.W.BOARD ASSY	1	1	Yes	Yes	Yes	Yes	Yes	Yes	Yes	Yes	Yes	Yes	Yes	Yes	Yes	Yes		
02B-23	5AAPRIFR2004AH		P.W.BOARD ASSY	1	1	No	No	No	No	No	No	No	No	No	No	No	No	No	No		
02B-24	5AACCNQA8GEA		CONN. CORD ASSY		1	No	No	No	No	No	No	No	No	No	No	No	No	No	No		
02B-25	5AACCNQC4GEA		CONN. CORD ASSY		1	No	No	No	No	No	No	No	No	No	No	No	No	No	No		
02B-25	5AACCNQT1GEA		CONN. CORD ASSY		1	Yes	Yes	Yes	Yes	Yes	Yes	Yes	Yes	Yes	Yes	Yes	Yes	Yes	Yes		
02B-26	5AACCNQC6GEA		CONN. CORD ASSY		1	Yes	Yes	Yes	Yes	Yes	Yes	Yes	Yes	Yes	Yes	Yes	Yes	Yes	Yes		
02B-27	5AACCNQC7GEA		CONN. CORD ASSY		1	Yes	Yes	Yes	Yes	Yes	Yes	Yes	Yes	Yes	Yes	Yes	Yes	Yes	Yes		
02B-28	5AACCNQD0GEA		CONN. CORD ASSY		1	Yes	Yes	Yes	Yes	Yes	Yes	Yes	Yes	Yes	Yes	Yes	Yes	Yes	Yes		
02B-29	5AACCNQD1GEA		CONN. CORD ASSY		1	Yes	Yes	Yes	Yes	Yes	Yes	Yes	Yes	Yes	Yes	Yes	Yes	Yes	Yes		
02B-30	5AACCNQD2GEA		CONN. CORD ASSY		1	Yes	Yes	Yes	Yes	Yes	Yes	Yes	Yes	Yes	Yes	Yes	Yes	Yes	Yes		
02B-31	5AACCNQD3GEA		CONN. CORD ASSY		1	Yes	Yes	Yes	Yes	Yes	Yes	Yes	Yes	Yes	Yes	Yes	Yes	Yes	Yes		
02B-32	5AACCNQD4GEA		CONN. CORD ASSY		1	Yes	Yes	Yes	Yes	Yes	Yes	Yes	Yes	Yes	Yes	Yes	Yes	Yes	Yes		
02B-33	5AACCNQD5GEA		CONN. CORD ASSY		1	Yes	Yes	Yes	Yes	Yes	Yes	Yes	Yes	Yes	Yes	Yes	Yes	Yes	Yes		
02B-34	5AACCNQD6GEA		CONN. CORD ASSY		1	Yes	Yes	Yes	Yes	Yes	Yes	Yes	Yes	Yes	Yes	Yes	Yes	Yes	Yes		
02B-35	5AACCNQF4GEA		CONN. CORD ASSY		1	No	No	No	No	No	No	No	No	No	No	No	No	No	No		
02B-36	5MVU666SB001		DUCT DRUM		1	No	No	No	No	No	No	No	No	No	No	No	No	No	No		
02B-36	5MVU666SB002		DUCT DRUM		1	Yes	Yes	Yes	Yes	Yes	Yes	Yes	Yes	Yes	Yes	Yes	Yes	Yes	Yes		
02B-37	5MVQ432RB003		CORD PRESS		1	Yes	Yes	Yes	Yes	Yes	Yes	Yes	Yes	Yes	Yes	Yes	Yes	Yes	Yes		
02B-38	5MMM140SZ011		COLLAR SPACER		2	Yes	Yes	Yes	Yes	Yes	Yes	Yes	Yes	Yes	Yes	Yes	Yes	Yes	Yes		
02B-39	5MMM340SZ002		COLLAR SPACER		2	Yes	Yes	Yes	Yes	Yes	Yes	Yes	Yes	Yes	Yes	Yes	Yes	Yes	Yes		
02B-40	5MVQ211EF001		SPONGE MAIN		1	Yes	Yes	Yes	Yes	Yes	Yes	Yes	Yes	Yes	Yes	Yes	Yes	Yes	Yes		
02B-41	5MVS632KF009		SHEET FAN A		1	Yes	Yes	Yes	Yes	Yes	Yes	Yes	Yes	Yes	Yes	Yes	Yes	Yes	Yes		
02B-42	5AAXTR037VDA		TRANS ASSY	1	1	No	No	No	No	No	No	No	No	No	No	No	No	No	No		
02B-42	5AAXTR037VDB		TRANS ASSY	1	1	No	No	No	No	No	No	No	No	No	No	No	No	No	No		
02B-42	5AAXTR037VDC		TRANS ASSY	1	1	No	No	No	No	No	No	No	No	No	No	No	No	No	No		
02B-42	5AAXTR041VDA		TRANS ASSY	1	1	Yes	Yes	Yes	Yes	Yes	Yes	Yes	Yes	Yes	Yes	Yes	Yes	Yes	Yes		
02B-43	5MVS321KN013		SHEET TONER		1	No	No	No	No	No	No	No	No	No	No	No	No	No	No		
02B-44	5AAPRSSC1016AH		P.W.BOARD ASSY		1	Yes	Yes	Yes	Yes	Yes	Yes	Yes	Yes	Yes	Yes	Yes	Yes	Yes	Yes		
02C-01	5MMC962SD001		BASE STAY L		1	Yes	Yes	Yes	Yes	Yes	Yes	Yes	Yes	Yes	Yes	Yes	Yes	Yes	Yes		
02C-02	5MMC962SD002		BASE STAY R		1	Yes	Yes	Yes	Yes	Yes	Yes	Yes	Yes	Yes	Yes	Yes	Yes	Yes	Yes		
02C-03	5MMB993SD001		PLATE BASE LID		1	Yes	Yes	Yes	Yes	Yes	Yes	Yes	Yes	Yes	Yes	Yes	Yes	Yes	Yes		
02C-06	5MMX653LD002		PLATE EARTH FRONT		1	Yes	Yes	Yes	Yes	Yes	Yes	Yes	Yes	Yes	Yes	Yes	Yes	Yes	Yes		
02C-07	5MVX832SH006		COVER FRONT LOW L		1	Yes	Yes	Yes	Yes	Yes	Yes	Yes	Yes	Yes	Yes	Yes	Yes	Yes	Yes		
02C-08	5MVX832SH007		COVER FRONT LOW R		1	Yes	Yes	Yes	Yes	Yes	Yes	Yes	Yes	Yes	Yes	Yes	Yes	Yes	Yes		
02C-09	5MVM184NB001		FOOT	1	4	Yes	Yes	Yes	Yes	Yes	Yes	Yes	Yes	Yes	Yes	Yes	Yes	Yes	Yes		
02C-10	5MMU932SD003		RAIL BOTTOM L		1	Yes	Yes	Yes	Yes	Yes	Yes	Yes	Yes	Yes	Yes	Yes	Yes	Yes	Yes		
02C-11	5MMU932SD004		RAIL BOTTOM R		1	Yes	Yes	Yes	Yes	Yes	Yes	Yes	Yes	Yes	Yes	Yes	Yes	Yes	Yes		
02C-12	5MMM165SN002		ROLLER DU		1	Yes	Yes	Yes	Yes	Yes	Yes	Yes	Yes	Yes	Yes	Yes	Yes	Yes	Yes		

REF.NO	PART CODE	PART CODE 1	DESCRIPTION	ISP	USED	FS-9000												CHP-9000		DP-3600	
						KEE	KEU	KEF	KEIS	KEA	KEI	BZL	PHN	KMSG	HKG	TWN	KMTH	CHU	MCA		
02C-13	5MML332LD002		PLATE FG DRIVE		2	Yes	Yes	Yes	Yes	Yes	Yes	Yes	Yes	Yes	Yes	Yes	Yes	Yes	Yes	Yes	
02C-14	5MVX822CB005		RAIL BASE R		1	Yes	Yes	Yes	Yes	Yes	Yes	Yes	Yes	Yes	Yes	Yes	Yes	Yes	Yes	Yes	
02C-16	5MMC963SD001		RAIL BASE L		1	Yes	Yes	Yes	Yes	Yes	Yes	Yes	Yes	Yes	Yes	Yes	Yes	Yes	Yes	Yes	
02C-17	5MMX952SD003		RAIL MIDDLE		1	Yes	Yes	Yes	Yes	Yes	Yes	Yes	Yes	Yes	Yes	Yes	Yes	Yes	Yes	Yes	
02C-18	5MVM177DN007		PULLEY RAIL D		2	Yes	Yes	Yes	Yes	Yes	Yes	Yes	Yes	Yes	Yes	Yes	Yes	Yes	Yes	Yes	
02C-19	5MVX222DN002		HOLDER RAIL B		1	Yes	Yes	Yes	Yes	Yes	Yes	Yes	Yes	Yes	Yes	Yes	Yes	Yes	Yes	Yes	
02C-20	5MMW661LD003		SPRING RAIL L		1	Yes	Yes	Yes	Yes	Yes	Yes	Yes	Yes	Yes	Yes	Yes	Yes	Yes	Yes	Yes	
02C-21	5MVS111PW001		PAD FUSER		2	Yes	Yes	Yes	Yes	Yes	Yes	Yes	Yes	Yes	Yes	Yes	Yes	Yes	Yes	Yes	
02C-23	5MVX432SB012		BRACKET PULLEY B		1	Yes	Yes	Yes	Yes	Yes	Yes	Yes	Yes	Yes	Yes	Yes	Yes	Yes	Yes	Yes	
02C-24	5MVM176DN020		PULLEY RAIL B		1	Yes	Yes	Yes	Yes	Yes	Yes	Yes	Yes	Yes	Yes	Yes	Yes	Yes	Yes	Yes	
02C-25	5MVB666SB009		DUCT TOP COVER		1	No	No	No	No	No	No	No	No	No	No	No	No	No	No	No	
02D-04	5MVB772SB024		DUCT FUSER UP		1	No	No	No	No	No	No	No	No	No	No	No	No	No	No	No	
02D-04	5MVX762SB010		DUCT DLP UP		1	Yes	Yes	Yes	Yes	Yes	Yes	Yes	Yes	Yes	Yes	Yes	Yes	Yes	Yes	Yes	
02D-05	5MVB875SB009		DUCT FUSER BOTTOM		1	No	No	No	No	No	No	No	No	No	No	No	No	No	No	No	
02D-05	5MVX876SB006		DUCT DLP LOW		1	Yes	Yes	Yes	Yes	Yes	Yes	Yes	Yes	Yes	Yes	Yes	Yes	Yes	Yes	Yes	
02D-11	5AAPRF1019AH		P.W.BOARD ASSY	1	1	No	No	No	No	No	No	No	No	No	No	No	No	No	No	No	
03-001	5MMX873SD004		PLATE DRIVE REAR		1	No	No	No	No	No	No	No	No	No	No	No	No	No	No	No	
03-001	5MMX873SD005		PLATE DRIVE REAR		1	Yes	Yes	Yes	Yes	Yes	Yes	Yes	Yes	Yes	Yes	Yes	Yes	Yes	Yes	Yes	
03-002	5MML776SD001		PLATE DRIVE FRONT		1	No	No	No	No	No	No	No	No	No	No	No	No	No	No	No	
03-002	5MML776SD002		PLATE DRIVE F		1	Yes	Yes	Yes	Yes	Yes	Yes	Yes	Yes	Yes	Yes	Yes	Yes	Yes	Yes	Yes	
03-003	5MMU266SD001		PLATE DRIVE MID		1	No	No	No	No	No	No	No	No	No	No	No	No	No	No	No	
03-003	5MMU266SD002		PLATE DRIVE M		1	Yes	Yes	Yes	Yes	Yes	Yes	Yes	Yes	Yes	Yes	Yes	Yes	Yes	Yes	Yes	
03-004	5MVG168DN011		GEAR Z72H-Z27H		1	Yes	Yes	Yes	Yes	Yes	Yes	Yes	Yes	Yes	Yes	Yes	Yes	Yes	Yes	Yes	
03-005	5AAVGEAR*031		GEAR Z46H-Z22H ASSY		2	No	No	No	No	No	No	No	No	No	No	No	No	No	No	No	
03-005	5AAVGEAR*034		GEAR Z46H-Z36H ASSY		2	Yes	Yes	Yes	Yes	Yes	Yes	Yes	Yes	Yes	Yes	Yes	Yes	Yes	Yes	Yes	
03-006	5MVG158DN018		GEAR Z41H		2	Yes	Yes	Yes	Yes	Yes	Yes	Yes	Yes	Yes	Yes	Yes	Yes	Yes	Yes	Yes	
03-007	5MVG169DN017		GEAR Z55H		1	No	No	No	No	No	No	No	No	No	No	No	No	No	No	No	
03-007	5MVG169DN029		GEAR Z90H		1	Yes	Yes	Yes	Yes	Yes	Yes	Yes	Yes	Yes	Yes	Yes	Yes	Yes	Yes	Yes	
03-008	5MVG169DN018		GEAR Z55H-Z27S		1	Yes	Yes	Yes	Yes	Yes	Yes	Yes	Yes	Yes	Yes	Yes	Yes	Yes	Yes	Yes	
03-009	5MVG158DN019		GEAR Z45S A		1	Yes	Yes	Yes	Yes	Yes	Yes	Yes	Yes	Yes	Yes	Yes	Yes	Yes	Yes	Yes	
03-010	5MVG148DN020		GEAR JOINT Z31S		1	Yes	Yes	Yes	Yes	Yes	Yes	Yes	Yes	Yes	Yes	Yes	Yes	Yes	Yes	Yes	
03-011	5MVG168DN014		GEAR Z76-35-23H		1	Yes	Yes	Yes	Yes	Yes	Yes	Yes	Yes	Yes	Yes	Yes	Yes	Yes	Yes	Yes	
03-011	5MVG169DN019		GEAR Z76H-Z35H		1	No	No	No	No	No	No	No	No	No	No	No	No	No	No	No	
03-012	5MMT376LD002		JOINT DRUM		1	Yes	Yes	Yes	Yes	Yes	Yes	Yes	Yes	Yes	Yes	Yes	Yes	Yes	Yes	Yes	
03-013	5MMM177CX001		BUSH DRUM JOINT		2	Yes	Yes	Yes	Yes	Yes	Yes	Yes	Yes	Yes	Yes	Yes	Yes	Yes	Yes	Yes	
03-014	5MVX441DB001		JOINT DLP		1	Yes	Yes	Yes	Yes	Yes	Yes	Yes	Yes	Yes	Yes	Yes	Yes	Yes	Yes	Yes	
03-015	5MMW261LD020		SPRING JOINT UNIT		1	Yes	Yes	Yes	Yes	Yes	Yes	Yes	Yes	Yes	Yes	Yes	Yes	Yes	Yes	Yes	
03-016	5MMW161LD031		SPRING EARTH DD		1	Yes	Yes	Yes	Yes	Yes	Yes	Yes	Yes	Yes	Yes	Yes	Yes	Yes	Yes	Yes	
03-017	5AAXMT029GEA		MOTOR MAIN	1	1	No	No	No	No	No	No	No	No	No	No	No	No	No	No	No	
03-017	5AAXMT037GEA		MOTOR MAIN	1	1	No	No	No	No	No	No	No	No	No	No	No	No	No	No	No	
03-017	5MMX773SD001		PLATE DRIVE CLUTCH		1	Yes	Yes	Yes	Yes	Yes	Yes	Yes	Yes	Yes	Yes	Yes	Yes	Yes	Yes	Yes	
03-018	5MMS767SD004		PLATE COVER GEAR		1	Yes	Yes	Yes	Yes	Yes	Yes	Yes	Yes	Yes	Yes	Yes	Yes	Yes	Yes	Yes	
03-019	5MVG169DN020		GEAR Z56H-Z37S		1	Yes	Yes	Yes	Yes	Yes	Yes	Yes	Yes	Yes	Yes	Yes	Yes	Yes	Yes	Yes	
03-020	5MVG169DN021		GEAR Z53S-Z23S		1	Yes	Yes	Yes	Yes	Yes	Yes	Yes	Yes	Yes	Yes	Yes	Yes	Yes	Yes	Yes	
03-021	5MVG138DN028		GEAR JOINT Z28S		1	Yes	Yes	Yes	Yes	Yes	Yes	Yes	Yes	Yes	Yes	Yes	Yes	Yes	Yes	Yes	
03-022	5MVG148DN021		GEAR CLUTCH Z32S		2	Yes	Yes	Yes	Yes	Yes	Yes	Yes	Yes	Yes	Yes	Yes	Yes	Yes	Yes	Yes	
03-023	5MVG158DN020		GEAR Z45S B		3	Yes	Yes	Yes	Yes	Yes	Yes	Yes	Yes	Yes	Yes	Yes	Yes	Yes	Yes	Yes	
03-024	5MVG159DN008		GEAR Z50S-Z24S		1	Yes	Yes	Yes	Yes	Yes	Yes	Yes	Yes	Yes	Yes	Yes	Yes	Yes	Yes	Yes	

REF.NO	PART CODE	PART CODE 1	DESCRIPTION	ISP	USED	FS-9000											CHP-9000		DP-3600	
						KEE	KEU	KEF	KEIS	KEA	KEI	BZL	PHN	KMSG	HKG	TWN	KMTH	CHU	MCA	
03-025	5MVG138DN029		GEAR JOINT Z26S		1	Yes	Yes	Yes	Yes	Yes	Yes	Yes	Yes	Yes	Yes	Yes	Yes	Yes	Yes	Yes
03-026	5MVG138DN030		GEAR Z24S		1	Yes	Yes	Yes	Yes	Yes	Yes	Yes	Yes	Yes	Yes	Yes	Yes	Yes	Yes	Yes
03-027	5MVG158DN022		GEAR Z30S-Z43S-Z17S		1	Yes	Yes	Yes	Yes	Yes	Yes	Yes	Yes	Yes	Yes	Yes	Yes	Yes	Yes	Yes
03-028	5MVC462DN001		HOLDER CLUTCH		1	No	No	No	No	No	No	No	No	No	No	No	No	No	No	No
03-028	5MVC463DN001		HOLDER CLUTCH		1	Yes	Yes	Yes	Yes	Yes	Yes	Yes	Yes	Yes	Yes	Yes	Yes	Yes	Yes	Yes
03-030	5MVM176DB008		BUSHING STOP		2	Yes	Yes	Yes	Yes	Yes	Yes	Yes	Yes	Yes	Yes	Yes	Yes	Yes	Yes	Yes
03-031	5MMT565SN003		SHAFT CLUTCH F		1	Yes	Yes	Yes	Yes	Yes	Yes	Yes	Yes	Yes	Yes	Yes	Yes	Yes	Yes	Yes
03-032	5EYYAGAAH01**01		CLUTCH REGIST	1	1	Yes	Yes	Yes	Yes	Yes	Yes	Yes	Yes	Yes	Yes	Yes	Yes	Yes	Yes	Yes
03-032	5EYYALAAK01**01		CLUTCH REGIST	1	1	No	No	No	No	No	No	No	No	No	No	No	No	No	No	No
03-033	5EYYAFAAM01**01		CLUTCH FEED	1	1	Yes	Yes	Yes	Yes	Yes	Yes	Yes	Yes	Yes	Yes	Yes	Yes	Yes	Yes	Yes
03-034	5MMX766SD004		PLATE D-CONTAINER		1	Yes	Yes	Yes	Yes	Yes	Yes	Yes	Yes	Yes	Yes	Yes	Yes	Yes	Yes	Yes
03-035	5MVG138DN031		GEAR Z30S-Z20S		1	Yes	Yes	Yes	Yes	Yes	Yes	Yes	Yes	Yes	Yes	Yes	Yes	Yes	Yes	Yes
03-036	5MVG158DN021		GEAR Z45S-Z22S		1	Yes	Yes	Yes	Yes	Yes	Yes	Yes	Yes	Yes	Yes	Yes	Yes	Yes	Yes	Yes
03-037	5MVG048DN003		GEAR Z33S-P36		1	No	No	No	No	No	No	No	No	No	No	No	No	No	No	No
03-037	5MVG048DN005		GEAR Z33S-P29		1	Yes	Yes	Yes	Yes	Yes	Yes	Yes	Yes	Yes	Yes	Yes	Yes	Yes	Yes	Yes
03-039	5MVF182DN001		COVER PULLEY		1	Yes	Yes	Yes	Yes	Yes	Yes	Yes	Yes	Yes	Yes	Yes	Yes	Yes	Yes	Yes
03-040	5MVM190RB023		BELT DRIVE TOWER		1	No	No	No	No	No	No	No	No	No	No	No	No	No	No	No
03-040	5MVM190RB025		BELT DRIVE TOWER		1	Yes	Yes	Yes	Yes	Yes	Yes	Yes	Yes	Yes	Yes	Yes	Yes	Yes	Yes	Yes
03-041	5AAPRIFC1023AH		P.W.BOARD ASSY	1	1	Yes	Yes	Yes	Yes	Yes	Yes	Yes	Yes	Yes	Yes	Yes	Yes	Yes	Yes	Yes
03-041	5AAPRIFR2006AH		P.W.BOARD ASSY	1	1	No	No	No	No	No	No	No	No	No	No	No	No	No	No	No
03-043	5AAXMT029GEA		MOTOR MAIN	1	1	No	No	No	No	No	No	No	No	No	No	No	No	No	No	No
03-043	5AAXMT037GEA		MOTOR MAIN	1	1	Yes	Yes	Yes	Yes	Yes	Yes	Yes	Yes	Yes	Yes	Yes	Yes	Yes	Yes	Yes
03-047	5MVG048DN004		GEAR Z36S-P20		1	No	No	No	No	No	No	No	No	No	No	No	No	No	No	No
03-047	5MVG048DN006		GEAR Z36-P37		1	Yes	Yes	Yes	Yes	Yes	Yes	Yes	Yes	Yes	Yes	Yes	Yes	Yes	Yes	Yes
03-048	5MVB541RH001		SEAL SENSOR		1	Yes	Yes	Yes	Yes	Yes	Yes	Yes	Yes	Yes	Yes	Yes	Yes	Yes	Yes	Yes
03-049	5MMT665SN002		SHAFT CLUTCH R		1	Yes	Yes	Yes	Yes	Yes	Yes	Yes	Yes	Yes	Yes	Yes	Yes	Yes	Yes	Yes
03-050	5MMW261SD006		SPRING JOINT		1	Yes	Yes	Yes	Yes	Yes	Yes	Yes	Yes	Yes	Yes	Yes	Yes	Yes	Yes	Yes
03-051	5AAVGEAR*033		GEAR Z37H-Z22H ASSY		1	Yes	Yes	Yes	Yes	Yes	Yes	Yes	Yes	Yes	Yes	Yes	Yes	Yes	Yes	Yes
03-052	5MVG168DN015		GEAR Z65H		1	Yes	Yes	Yes	Yes	Yes	Yes	Yes	Yes	Yes	Yes	Yes	Yes	Yes	Yes	Yes
04-001	5AAPRLGG4028CH		P.W.BOARD ASSY	1	1	No	No	No	No	No	No	No	No	No	No	No	No	No	No	No
04-001	5AAPRLGG4028DH		P.W.BOARD ASSY	1	1	No	No	No	No	No	No	No	No	No	No	No	No	No	No	No
04-001	5AAPRLGG4028EH		P.W.BOARD ASSY	1	1	No	No	No	No	No	No	No	No	No	No	No	No	No	No	No
04-001	5AAPRLGG4028GH		P.W.BOARD ASSY	1	1	No	No	No	No	No	No	No	No	No	No	No	No	No	No	No
04-001	5AAPRLGG4031AH		P.W.BOARD ASSY	1	1	No	No	No	No	No	No	No	No	No	No	No	No	No	No	No
04-001	5AAPRLGG4031BH		P.W.BOARD ASSY	1	1	No	No	No	No	No	No	No	No	No	No	No	No	No	No	No
04-001	5AAPRLGG4032AH		P.W.BOARD ASSY	1	1	No	No	No	No	No	No	Yes	Yes	No	No	No	No	No	No	No
04-001	5AAPRLGG4032BH		P.W.BOARD ASSY	1	1	No	No	No	No	No	No	No	No	No	No	No	No	No	No	No
04-001	5AAPRLGG4032CH		P.W.BOARD ASSY	1	1	No	No	No	No	No	No	No	No	No	No	No	No	No	No	No
04-001	5AAPRLGG4032DH		P.W.BOARD ASSY	1	1	No	No	No	No	No	No	No	No	No	No	No	No	No	No	No
04-002	5AAPRCZG4008DH		P.W.BOARD ASSY	1	1	No	No	No	No	No	No	No	No	No	No	No	No	No	No	No
04-002	5AAPRCZG4008EH		P.W.BOARD ASSY	1	1	No	No	No	No	No	No	No	No	No	No	No	No	No	No	No
04-002	5AAPRCZG4008FH		P.W.BOARD ASSY	1	1	No	No	No	No	No	No	No	No	No	No	No	No	No	No	No
04-002	5AAPRCZG4008GH		P.W.BOARD ASSY	1	1	No	No	No	No	No	No	No	No	No	No	No	No	No	No	No
04-002	5AAPRCZR4008HH		P.W.BOARD ASSY	1	1	No	No	No	No	No	No	No	No	No	No	No	No	No	No	No
04-002	5AAPRCZG4009AH		P.W.BOARD ASSY	1	1	Yes	Yes	Yes	Yes	Yes	No	Yes	No	Yes	Yes	Yes	Yes	No	No	No
04-002	5AAPRCZG4009BH		P.W.BOARD ASSY	1	1	No	No	No	No	No	No	No	No	No	No	No	No	No	No	No
04-002	5AAPRCZG4009CH		P.W.BOARD ASSY	1	1	No	No	No	No	No	Yes	No	Yes	No	No	No	No	No	No	No
04-002	5AAPRCZG4009DH		P.W.BOARD ASSY	1	1	No	No	No	No	No	No	No	No	No	No	No	No	No	No	No

REF.NO	PART CODE	PART CODE 1	DESCRIPTION	ISP	USED	FS-9000											CHP-9000	DP-3600	
						KEE	KEU	KEF	KEIS	KEA	KEI	BZL	PHN	KMSG	HKG	TWN	KMTH	CHU	MCA
04-002	5AAPRCZG4009EH		P.W.BOARD ASSY	1	1	No	No	No	No	No	No	No	No	No	No	No	No	No	No
04-002	5AAPRCZG4009FH		P.W.BOARD ASSY	1	1	No	No	No	No	No	No	No	No	No	No	No	No	No	No
04-002	5AAPRCZG4009GH		P.W.BOARD ASSY	1	1	No	No	No	No	No	No	No	No	No	No	No	No	No	No
04-002	5AAPRCZG4009HH		P.W.BOARD ASSY	1	1	No	No	No	No	No	No	No	No	No	No	No	No	No	Yes
04-002	5AAPRCZG4009PH		P.W.BOARD ASSY	1	1	No	No	No	No	No	No	No	No	No	No	No	No	No	No
04-002	5AAPRCZG4009JH		P.W.BOARD ASSY	1	1	No	No	No	No	No	No	No	No	No	No	No	No	No	No
04-002	5AAPRCZG4009KH		P.W.BOARD ASSY	1	1	No	No	No	No	No	No	No	No	No	No	No	No	No	No
04-002	5AAPRCZG4009LH		P.W.BOARD ASSY	1	1	No	No	No	No	No	No	No	No	No	No	No	No	Yes	No
04-002	5AAPRCZG4009MH		P.W.BOARD ASSY	1	1	No	No	No	No	No	No	No	No	No	No	No	No	No	No
04-002	5AAPRCZG4009NH		P.W.BOARD ASSY	1	1	No	No	No	No	No	No	No	No	No	No	No	No	No	No
04-002	5AAPRCZG4009SH		P.W.BOARD ASSY	1	1	No	No	No	No	No	No	No	No	No	No	No	No	No	No
04-002	5AAPRCZG		P.W.BOARD ASSY	1	1	No	No	No	No	No	No	No	No	No	No	No	No	No	No
04-003	5AAEZ7000A*1		SWITCHING REGULATOR	1	1	No	No	No	No	No	No	No	No	No	No	No	No	No	No
04-003	5AAEZ7000A*2		SWITCHING REGULATOR	1	1	No	No	No	No	No	Yes	Yes	No	No	Yes	No	No	No	Yes
04-003	5AAEZ7000E*1		SWITCHING REGULATOR	1	1	No	No	No	No	No	No	No	No	No	No	No	No	No	No
04-003	5AAEZ7000E*2		SWITCHING REGULATOR	1	1	Yes	Yes	Yes	Yes	Yes	No	No	Yes	Yes	Yes	No	Yes	Yes	No
04-004	5AAPRIFR2005AH		P.W.BOARD ASSY	1	1	No	No	No	No	No	No	No	No	No	No	No	No	No	No
04-004	5AAPRIFR2009AH		P.W.BOARD ASSY	1	1	Yes	Yes	Yes	Yes	Yes	Yes	Yes	Yes	Yes	Yes	Yes	Yes	Yes	Yes
04-005	5MMB886SD010		CONT BOX		1	No	No	No	No	No	No	No	No	No	No	No	No	No	No
04-005	5MMB886SD012		CONT BOX		1	Yes	Yes	Yes	Yes	Yes	Yes	Yes	Yes	Yes	Yes	Yes	Yes	Yes	Yes
04-007	5MMS636SD009		PLATE OPTION		1	Yes	Yes	Yes	Yes	Yes	Yes	Yes	Yes	Yes	Yes	Yes	Yes	Yes	Yes
04-008	5MMS646SD009		PLATE CONTROLLER		1	No	No	No	No	No	No	No	No	No	No	No	No	No	No
04-009	5MMB876SD002		SHIELD CASE		1	Yes	Yes	Yes	Yes	Yes	Yes	Yes	Yes	Yes	Yes	Yes	Yes	Yes	Yes
04-011	5AAPRLGG4031AH		P.W.BOARD ASSY	1	1	No	No	No	No	No	No	No	No	No	No	No	No	No	No
04-011	5AAPRLGG4031BH		P.W.BOARD ASSY	1	1	No	No	No	No	No	No	No	No	No	No	No	No	No	No
04-011	5AAPRLGG4032AH		P.W.BOARD ASSY	1	1	Yes	Yes	Yes	Yes	Yes	Yes	Yes	Yes	Yes	Yes	Yes	Yes	Yes	No
04-011	5AAPRLGG4032BH		P.W.BOARD ASSY	1	1	No	No	No	No	No	No	No	No	No	No	No	No	No	No
04-011	5AAPRLGG4032DH		P.W.BOARD ASSY	1	1	No	No	No	No	No	No	No	No	No	No	No	No	No	Yes
04-012	5MMC765SD001		PLATE CON C		1	Yes	Yes	Yes	Yes	Yes	Yes	Yes	Yes	Yes	Yes	Yes	Yes	Yes	Yes
04-013	5EZNF2402501*03		FAN MOTOR	1	1	No	No	No	No	No	No	No	No	No	No	No	No	No	No
04-014	5EZNF2402501*03		FAN MOTOR	1	1	No	No	No	No	No	No	No	No	No	No	No	No	No	No
04-014	5EZNF2403004*01		FAN MOTOR	1	1	Yes	Yes	Yes	Yes	Yes	Yes	Yes	Yes	Yes	Yes	Yes	Yes	No	Yes
04-016	5MVB743SL001		RAIL OPTION L		1	Yes	Yes	Yes	Yes	Yes	Yes	Yes	Yes	Yes	Yes	Yes	Yes	Yes	Yes
04-016	5MVX743SB008		RAIL OPTION A		1	No	No	No	No	No	No	No	No	No	No	No	No	No	No
04-017	5MVB743SL002		RAIL OPTION R		1	Yes	Yes	Yes	Yes	Yes	Yes	Yes	Yes	Yes	Yes	Yes	Yes	Yes	Yes
04-017	5MVX754SB008		RAIL OPTION B		1	No	No	No	No	No	No	Yes	No	No	No	No	No	No	No
04-018	5MVC331NN001		EDGING SADDLE		2	Yes	Yes	Yes	Yes	Yes	Yes	Yes	Yes	Yes	Yes	Yes	Yes	Yes	Yes
04-019	5MVC441NN001		EDGING SADDLE		1	Yes	Yes	Yes	Yes	Yes	Yes	Yes	Yes	Yes	Yes	Yes	Yes	Yes	Yes
04-020	5MVX321NN023		LOCKING WIRE SADDLE		1	Yes	Yes	Yes	Yes	Yes	Yes	Yes	Yes	Yes	Yes	Yes	Yes	Yes	Yes
04-021	5AACCNQA5GEA		CONN. CORD ASSY		1	No	No	No	No	No	No	No	No	No	No	No	No	No	No
04-022	5AACCNQB7GEA		CONN. CORD ASSY		1	Yes	Yes	Yes	Yes	Yes	Yes	Yes	Yes	Yes	Yes	Yes	Yes	Yes	Yes
04-023	5AACCNQC3GEA		CONN. CORD ASSY		1	No	No	No	No	No	No	No	No	No	No	No	No	No	No
04-023	5AACCNQT3GEA		CONN. CORD ASSY		1	Yes	Yes	Yes	Yes	Yes	Yes	Yes	Yes	Yes	Yes	Yes	Yes	Yes	Yes
04-024	5AACCNQC5GEA		CONN. CORD ASSY		1	Yes	Yes	Yes	Yes	Yes	Yes	Yes	Yes	Yes	Yes	Yes	Yes	Yes	Yes
04-024	5AACCNQK5GEA		CONN. CORD ASSY		1	No	No	No	No	No	No	No	No	No	No	No	No	No	No
04-024	5AACCNQK6GEA		CONN. CORD ASSY		1	No	No	No	No	No	No	No	No	No	No	No	No	No	No
04-025	5ESC020205***01		SEE-SAW SW. CSAVDEBS		1	Yes	Yes	Yes	Yes	Yes	Yes	Yes	Yes	Yes	Yes	Yes	Yes	Yes	Yes
04-026	5MVS327RH001		SARCON GR		5	No	No	No	No	No	No	No	No	No	No	No	No	No	No

REF.NO	PART CODE	PART CODE 1	DESCRIPTION	ISP	USED	FS-9000											CHP-9000		DP-3600	
						KEE	KEU	KEF	KEIS	KEA	KEI	BZL	PHN	KMSG	HKG	TWN	KMTH	CHU	MCA	
04-027	5MVS552KF007		SHEET CONT D		1	Yes	Yes	Yes	Yes	Yes	Yes	Yes	Yes	Yes	Yes	Yes	Yes	Yes	Yes	Yes
04-028	5MVS662KF006		SHEET CONT E		1	Yes	Yes	Yes	Yes	Yes	Yes	Yes	Yes	Yes	Yes	Yes	Yes	Yes	Yes	Yes
04-028	5MVS872KF006		SHEET CONT A		1	No	No	No	No	No	No	No	No	No	No	No	No	No	No	No
04-029	5MVS652KF005		SHEET CONT B		1	Yes	Yes	Yes	Yes	Yes	Yes	Yes	Yes	Yes	Yes	Yes	Yes	Yes	Yes	Yes
04-030	5MVS332KF003		SHEET CONT C		2	Yes	Yes	Yes	Yes	Yes	Yes	Yes	Yes	Yes	Yes	Yes	Yes	Yes	Yes	Yes
04-034	5MVX211NN034		MINI SLIDE CLAMP		4	Yes	Yes	Yes	Yes	Yes	Yes	Yes	Yes	Yes	Yes	Yes	Yes	Yes	Yes	Yes
04-035	5MVS328RH002		SARCON GR		2	Yes	Yes	Yes	Yes	Yes	Yes	Yes	Yes	Yes	Yes	Yes	Yes	Yes	Yes	Yes
05-001	5MVX997XB001		CASE LOW		1	No	No	No	No	No	No	No	No	No	No	No	No	No	No	No
05-001	5MVX997XB002		CASE LOW		1	Yes	Yes	Yes	Yes	Yes	Yes	Yes	Yes	Yes	Yes	Yes	Yes	Yes	Yes	Yes
05-002	5MVX321DN010		LATCH RAIL		1	Yes	Yes	Yes	Yes	Yes	Yes	Yes	Yes	Yes	Yes	Yes	Yes	Yes	Yes	Yes
05-003	5MVX621DB003		PLATE LOCK A		1	Yes	Yes	Yes	Yes	Yes	Yes	Yes	Yes	Yes	Yes	Yes	Yes	Yes	Yes	Yes
05-004	5MVX511DB003		PLATE LOCK B		1	Yes	Yes	Yes	Yes	Yes	Yes	Yes	Yes	Yes	Yes	Yes	Yes	Yes	Yes	Yes
05-005	5MVX742SB006		ACTUATOR REGIST	1	1	Yes	Yes	Yes	Yes	Yes	Yes	Yes	Yes	Yes	Yes	Yes	Yes	Yes	Yes	Yes
05-006	5MMW161LD030		SPRING ACTUATOR RE		1	Yes	Yes	Yes	Yes	Yes	Yes	Yes	Yes	Yes	Yes	Yes	Yes	Yes	Yes	Yes
05-007	5MMC843SD002		RAIL CASE		1	Yes	Yes	Yes	Yes	Yes	Yes	Yes	Yes	Yes	Yes	Yes	Yes	Yes	Yes	Yes
05-008	5MVM274DN001		PULLEY RAIL C		3	Yes	Yes	Yes	Yes	Yes	Yes	Yes	Yes	Yes	Yes	Yes	Yes	Yes	Yes	Yes
05-009	5MMM140SZ009		COLLAR SPACER		3	Yes	Yes	Yes	Yes	Yes	Yes	Yes	Yes	Yes	Yes	Yes	Yes	Yes	Yes	Yes
05-013	5MMT876SN050		ROLLER REGIST LOW		1	Yes	Yes	Yes	Yes	Yes	Yes	Yes	Yes	Yes	Yes	Yes	Yes	Yes	Yes	Yes
05-014	5MMM121CX001		BUSH DRUM		2	Yes	Yes	Yes	Yes	Yes	Yes	Yes	Yes	Yes	Yes	Yes	Yes	Yes	Yes	Yes
05-015	5MVG147DB020		GEAR JOINT Z32		1	Yes	Yes	Yes	Yes	Yes	Yes	Yes	Yes	Yes	Yes	Yes	Yes	Yes	Yes	Yes
05-016	5MVS822KF010		SHEET REGIST		1	Yes	Yes	Yes	Yes	Yes	Yes	Yes	Yes	Yes	Yes	Yes	Yes	Yes	Yes	Yes
05-017	5MMT876SN049		ROLLER REGIST UP		1	Yes	Yes	Yes	Yes	Yes	Yes	Yes	Yes	Yes	Yes	Yes	Yes	Yes	Yes	Yes
05-018	5MMM276CJ001		METAL BUSH REGIST		2	Yes	Yes	Yes	Yes	Yes	Yes	Yes	Yes	Yes	Yes	Yes	Yes	Yes	Yes	Yes
05-019	5MVG137DB064		GEAR REGIST Z24		1	Yes	Yes	Yes	Yes	Yes	Yes	Yes	Yes	Yes	Yes	Yes	Yes	Yes	Yes	Yes
05-020	5MMW172SD002		SPRING REGIST A		1	No	No	No	No	No	No	No	No	No	No	No	No	No	No	No
05-020	5MMW172SZ001		SPRING REGIST R		1	Yes	Yes	Yes	Yes	Yes	Yes	Yes	Yes	Yes	Yes	Yes	Yes	Yes	Yes	Yes
05-021	5MMW172SD003		SPRING REGIST B		1	No	No	No	No	No	No	No	No	No	No	No	No	No	No	No
05-021	5MMW172SD004		SPRING REGIST F		1	Yes	Yes	Yes	Yes	Yes	Yes	Yes	Yes	Yes	Yes	Yes	Yes	Yes	Yes	Yes
05-022	5MVX876SC001		GUIDE PAPER		1	Yes	Yes	Yes	Yes	Yes	Yes	Yes	Yes	Yes	Yes	Yes	Yes	Yes	Yes	Yes
05-023	5MMW261LD018		SPRING MIDDLE		2	Yes	Yes	Yes	Yes	Yes	Yes	Yes	Yes	Yes	Yes	Yes	Yes	Yes	Yes	Yes
05-024	5MMT743SN001		SHAFT PULLEY		2	Yes	Yes	Yes	Yes	Yes	Yes	Yes	Yes	Yes	Yes	Yes	Yes	Yes	Yes	Yes
05-025	5MVM276DN005		PULLEY MIDDLE		4	Yes	Yes	Yes	Yes	Yes	Yes	Yes	Yes	Yes	Yes	Yes	Yes	Yes	Yes	Yes
05-026	5MMT876SN048		ROLLER MIDDLE	1	1	No	No	No	No	No	No	No	No	No	No	No	No	No	No	No
05-026	5MMT876SN064		ROLLER MIDDLE	1	1	Yes	Yes	Yes	Yes	Yes	Yes	Yes	Yes	Yes	Yes	Yes	Yes	Yes	Yes	Yes
05-027	5MVM276DN006		BUSH B		1	Yes	Yes	Yes	Yes	Yes	Yes	Yes	Yes	Yes	Yes	Yes	Yes	Yes	Yes	Yes
05-028	5MVM276DB012		BUSH C		1	Yes	Yes	Yes	Yes	Yes	Yes	Yes	Yes	Yes	Yes	Yes	Yes	Yes	Yes	Yes
05-029	5MVM286DB002		LATCH JOINT	1	1	Yes	Yes	Yes	Yes	Yes	Yes	Yes	Yes	Yes	Yes	Yes	Yes	Yes	Yes	Yes
05-030	5MVS868SC001		GUIDE PAPER B		1	Yes	Yes	Yes	Yes	Yes	Yes	Yes	Yes	Yes	Yes	Yes	Yes	Yes	Yes	Yes
05-031	5MMX654LD003		PLATE REGIST		1	Yes	Yes	Yes	Yes	Yes	Yes	Yes	Yes	Yes	Yes	Yes	Yes	Yes	Yes	Yes
05-032	5MMX662LD003		PLATE TC		1	Yes	Yes	Yes	Yes	Yes	Yes	Yes	Yes	Yes	Yes	Yes	Yes	Yes	Yes	Yes
05-033	5MMX662LD004		PLATE DISCHARGER		1	Yes	Yes	Yes	Yes	Yes	Yes	Yes	Yes	Yes	Yes	Yes	Yes	Yes	Yes	Yes
05-034	5MMX644LD004		PLATE EARTH REGIST		1	No	No	No	No	No	No	No	No	No	No	No	No	No	No	No
05-035	5MMU863SD002		PLATE PAPER GUIDE		1	Yes	Yes	Yes	Yes	Yes	Yes	Yes	Yes	Yes	Yes	Yes	Yes	Yes	Yes	Yes
05-036	5MVX822SG001		PLATE RELEASE		1	Yes	Yes	Yes	Yes	Yes	Yes	Yes	Yes	Yes	Yes	Yes	Yes	Yes	Yes	Yes
05-037	5MVX752SG001		HANDLE CASE	1	1	Yes	Yes	Yes	Yes	Yes	Yes	Yes	Yes	Yes	Yes	Yes	Yes	Yes	Yes	Yes
05-038	5MVB864SB011		GUIDE TC		1	No	No	No	No	No	No	No	No	No	No	No	No	No	No	No
05-038	5MVB864SB015		GUIDE TC OEM		1	No	No	No	No	No	No	No	No	No	No	No	No	No	No	Yes
05-038	5MVB864SB016		GUIDE TC		1	Yes	Yes	Yes	Yes	Yes	Yes	Yes	Yes	Yes	Yes	Yes	Yes	Yes	Yes	No

REF.NO	PART CODE	PART CODE 1	DESCRIPTION	ISP	USED	FS-9000												CHP-9000	DP-3600	
						KEE	KEU	KEF	KEIS	KEA	KEI	BZL	PHN	KMSG	HKG	TWN	KMTH	CHU	MCA	
05-039	5MMX321LD024		PLATE CONTACT TC		1	Yes	Yes	Yes	Yes	Yes	Yes	Yes	Yes	Yes	Yes	Yes	Yes	Yes	Yes	Yes
05-040	5MMW354LD003		SPRING TC ROLL		1	Yes	Yes	Yes	Yes	Yes	Yes	Yes	Yes	Yes	Yes	Yes	Yes	Yes	Yes	Yes
05-041	5MMW255LD002		SPRING BUSH		1	Yes	Yes	Yes	Yes	Yes	Yes	Yes	Yes	Yes	Yes	Yes	Yes	Yes	Yes	Yes
05-042	5MVX322DB018		BUSH TRANSFER B		2	Yes	Yes	Yes	Yes	Yes	Yes	Yes	Yes	Yes	Yes	Yes	Yes	Yes	Yes	Yes
05-043	5MMS821LD010		BRUSH DC CHARGE		1	No	No	No	No	No	No	No	No	No	No	No	No	No	No	Yes
05-044	5MVX822CB004		HOLDER DC CHARGE		1	No	No	No	No	No	No	No	No	No	No	No	No	No	No	No
05-044	5MVX822CB007		HOLDER DC CHARGE		1	Yes	Yes	Yes	Yes	Yes	Yes	Yes	Yes	Yes	Yes	Yes	Yes	Yes	Yes	Yes
05-045	5MMT886SN013		ROLLER TRANSFER		1	Yes	Yes	Yes	Yes	Yes	Yes	Yes	Yes	Yes	Yes	Yes	Yes	Yes	Yes	Yes
05-046	5MVX831CB002		GUIDE CHUTE LOW		1	No	No	No	No	No	No	No	No	No	No	No	No	No	No	No
05-046	5MVX852CB002		GUIDE CHUTE LOW		1	Yes	Yes	Yes	Yes	Yes	Yes	Yes	Yes	Yes	Yes	Yes	Yes	Yes	Yes	Yes
05-047	5MVG138DB062		GEAR TC Z26		1	Yes	Yes	Yes	Yes	Yes	Yes	Yes	Yes	Yes	Yes	Yes	Yes	Yes	Yes	Yes
05-048	5MVX863CB002		GUIDE CHANGE DU		1	Yes	Yes	Yes	Yes	Yes	Yes	Yes	Yes	Yes	Yes	Yes	Yes	Yes	Yes	Yes
05-049	5MVX731DN001		HOLDER RAIL A		1	Yes	Yes	Yes	Yes	Yes	Yes	Yes	Yes	Yes	Yes	Yes	Yes	Yes	Yes	Yes
05-050	5MMW461SD002		SPRING RELEASE B		1	Yes	Yes	Yes	Yes	Yes	Yes	Yes	Yes	Yes	Yes	Yes	Yes	Yes	Yes	Yes
05-051	5MVX421DB011		HOLDER RELEASE		1	Yes	Yes	Yes	Yes	Yes	Yes	Yes	Yes	Yes	Yes	Yes	Yes	Yes	Yes	Yes
05-052	5MMW161SD006		SPRING RELEASE C		1	Yes	Yes	Yes	Yes	Yes	Yes	Yes	Yes	Yes	Yes	Yes	Yes	Yes	Yes	Yes
05-053	5MMW461SD001		SPRING RELEASE A		1	Yes	Yes	Yes	Yes	Yes	Yes	Yes	Yes	Yes	Yes	Yes	Yes	Yes	Yes	Yes
05-054	5MML962SD001		RAIL CASE L		1	No	No	No	No	No	No	No	No	No	No	No	No	No	No	No
05-054	5MML962SD002		RAIL CASE L		1	Yes	Yes	Yes	Yes	Yes	Yes	Yes	Yes	Yes	Yes	Yes	Yes	Yes	Yes	Yes
05-055	5MVM276DB013		PULLEY RAIL E		2	No	No	No	No	No	No	No	No	No	No	No	No	No	No	No
05-056	5MVX211SG001		KNOB RELEASE		1	No	No	No	No	No	No	No	No	No	No	No	No	No	No	No
05-057	5MVS118YW002		PAD CUSHION		2	Yes	Yes	Yes	Yes	Yes	Yes	Yes	Yes	Yes	Yes	Yes	Yes	Yes	Yes	Yes
05-058	5MVVL752WN04		LABEL CASE A		1	No	No	No	No	No	No	No	No	No	No	No	No	No	No	No
05-059	5MVVL642WN09		LABEL CASE B		1	No	No	No	No	No	No	No	No	No	No	No	No	No	No	No
05-060	5AAVBRUSH035		BRUSH CLEAN ASSY		1	Yes	Yes	Yes	Yes	Yes	Yes	Yes	Yes	Yes	Yes	Yes	Yes	Yes	Yes	Yes
05-061	5MMS312AX001		SHEET EARTH TC		1	Yes	Yes	Yes	Yes	Yes	Yes	Yes	Yes	Yes	Yes	Yes	Yes	Yes	Yes	Yes
05-062	5MVVL111WN12		LABEL RELEASE A		2	No	No	No	No	No	No	No	No	No	No	No	No	No	No	No
05-063	5MVVL311WN30		LABEL RELEASE B		1	Yes	Yes	Yes	Yes	Yes	Yes	Yes	Yes	Yes	Yes	Yes	Yes	Yes	Yes	Yes
05-064	5MVS612KF009		SHEET GUIDE PAPER A		2	Yes	Yes	Yes	Yes	Yes	Yes	Yes	Yes	Yes	Yes	Yes	Yes	Yes	Yes	Yes
05-065	5MVS622KF005		SHEET GUIDE PAPER B		2	Yes	Yes	Yes	Yes	Yes	Yes	Yes	Yes	Yes	Yes	Yes	Yes	Yes	Yes	Yes
05-069	5MML831SW001		GUIDE CHUTE UP		1	Yes	Yes	Yes	Yes	Yes	Yes	Yes	Yes	Yes	Yes	Yes	Yes	Yes	Yes	Yes
05-070	5MMX654LD005		PLATE EARTH FEED		1	Yes	Yes	Yes	Yes	Yes	Yes	Yes	Yes	Yes	Yes	Yes	Yes	Yes	Yes	Yes
05-071	5MVS812KF005		SHEET GUIDE CHUTE		1	Yes	Yes	Yes	Yes	Yes	Yes	Yes	Yes	Yes	Yes	Yes	Yes	Yes	Yes	Yes
05-072	5MVS853KC001		SHEET LOW		1	Yes	Yes	Yes	Yes	Yes	Yes	Yes	Yes	Yes	Yes	Yes	Yes	Yes	Yes	Yes
05-074	5MMM176BD002		REAR PULLY FEED		1	Yes	Yes	Yes	Yes	Yes	Yes	Yes	Yes	Yes	Yes	Yes	Yes	Yes	Yes	Yes
06-001	5MMT880AX001		ROLLER HEAT	1	1	No	No	No	No	No	No	No	No	No	No	No	No	No	No	No
06-002	5MVG169NN001		GEAR Z55		1	No	No	No	No	No	No	No	No	No	No	No	No	No	No	No
06-002	5MVG169XN001		GEAR Z55		1	No	No	No	No	No	No	No	No	No	No	No	No	No	No	No
06-004	5MMW486SJ001		RING STOP		2	Yes	Yes	Yes	Yes	Yes	Yes	Yes	Yes	Yes	Yes	Yes	Yes	Yes	Yes	Yes
06-005	5MMT886SN014		ROLLER PRESS	1	1	No	No	No	No	No	No	No	No	No	No	No	No	No	No	No
06-007	5MVG138DN032		GEAR Z29		1	No	No	No	No	No	No	No	No	No	No	No	No	No	No	No
06-009	5MVG148XN006		GEAR FUSER Z33		1	No	No	No	No	No	No	No	No	No	No	No	No	No	No	No
06-010	5MVG148XN005		GEAR JOINT Z36		1	No	No	No	No	No	No	No	No	No	No	No	No	No	No	No
06-011	5MVG137DB025		GEAR M FEED Z25		1	No	No	No	No	No	No	No	No	No	No	No	No	No	No	No
06-013	5MVX222XN002		SEPARATOR		1	6	No	No	No	No	No	No	No	No	No	No	No	No	No	No
06-015	5AAVSEPRT011		SEPARATOR ASSY	1	6	Yes	Yes	Yes	Yes	Yes	Yes	Yes	Yes	Yes	Yes	Yes	Yes	Yes	Yes	Yes
06-016	5MVB975KB001		FRAME FUSER LOW		1	Yes	Yes	Yes	Yes	Yes	Yes	Yes	Yes	Yes	Yes	Yes	Yes	Yes	Yes	Yes
06-022	5MVG138DN032		GEAR Z29		1	Yes	Yes	Yes	Yes	Yes	Yes	Yes	Yes	Yes	Yes	Yes	Yes	Yes	Yes	Yes

REF.NO	PART CODE	PART CODE 1	DESCRIPTION	ISP	USED	FS-9000												CHP-9000		DP-3600	
						KEE	KEU	KEF	KEIS	KEA	KEI	BZL	PHN	KMSG	HKG	TWN	KMTH	CHU	MCA		
06-025	5MMT886SN019		ROLLER PRESS	1	1	Yes	Yes	Yes	Yes	Yes	Yes	Yes	Yes	Yes	Yes	Yes	Yes	Yes	Yes		
06-030	5MMT880AX001		ROLLER HEAT	1	1	No	No	No	No	No	No	No	No	No	No	No	No	No	No		
06-032	5MVG169NN001		GEAR Z55		1	Yes	Yes	Yes	Yes	Yes	Yes	Yes	Yes	Yes	Yes	Yes	Yes	Yes	Yes		
06-032	5MVG169XN001		GEAR Z55		1	No	No	No	No	No	No	No	No	No	No	No	No	No	No		
06-035	5MVG148XN006		GEAR FUSER Z33		1	Yes	Yes	Yes	Yes	Yes	Yes	Yes	Yes	Yes	Yes	Yes	Yes	Yes	Yes		
06-039	5EZPB1015020501		HEATER LAMP C	1	1	No	No	No	No	No	No	No	No	No	No	No	No	No	No		
06-039	5EZPB1214220401		HEATER LAMP C	1	1	No	No	No	No	No	Yes	Yes	No	No	No	Yes	No	No	Yes		
06-039	5EZPB2412120401		HEATER LAMP C	1	1	Yes	Yes	Yes	Yes	Yes	No	Yes	Yes	Yes	No	No	Yes	No	No		
06-040	5EZPB1015020502		HEATER LAMP S	1	1	No	No	No	No	No	No	No	No	No	No	No	No	No	No		
06-040	5EZPB1214220402		HEATER LAMP S	1	1	No	No	No	No	No	Yes	Yes	No	No	No	Yes	No	No	Yes		
06-040	5EZPB2412120402		HEATER LAMP S	1	1	Yes	Yes	Yes	Yes	Yes	No	Yes	Yes	Yes	No	No	Yes	Yes	No		
06-041	5EYFFQ19001**01		THERMOSTAT 240V190°C		1	Yes	Yes	Yes	Yes	Yes	Yes	Yes	Yes	Yes	Yes	Yes	Yes	Yes	Yes		
06-042	5AAXTM003GEA		THERMISTOR ASSY	1	1	No	No	No	No	No	No	No	No	No	No	No	No	No	No		
06-042	5AAXTM009GEA		THERMISTOR ASSY	1	1	No	No	No	No	No	No	No	No	No	No	No	No	No	No		
06-043	5EYFFQ19001**01		THERMOSTAT 240V190°C	1	1	No	No	No	No	No	No	No	Yes	No	No	No	No	No	No		
06-043	5MVG148XN005		GEAR JOINT Z36		1	Yes	Yes	Yes	Yes	Yes	Yes	Yes	Yes	Yes	Yes	Yes	Yes	Yes	Yes		
06-044	5EZPB1015020301		HEATER LAMP C	1	1	No	No	No	No	No	No	No	No	No	No	No	No	No	No		
06-044	5EZPB1214220201		HEATER LAMP C	1	1	No	No	No	No	No	No	No	No	No	No	No	No	No	No		
06-044	5EZPB2412120201		HEATER LAMP C	1	1	No	No	No	No	No	No	No	No	No	No	No	No	No	No		
06-044	5EZPB2412120401		HEATER LAMP C	1	1	No	No	No	No	No	No	No	Yes	No	No	No	No	No	No		
06-044	5MVG137DB025		GEAR M FEED Z25		1	Yes	Yes	Yes	Yes	Yes	Yes	Yes	Yes	Yes	Yes	Yes	Yes	Yes	Yes		
06-045	5EZPB1015020401		HEATER LAMP S	1	1	No	No	No	No	No	No	No	No	No	No	No	No	No	No		
06-045	5EZPB1214220301		HEATER LAMP S	1	1	No	No	No	No	No	No	No	No	No	No	No	No	No	No		
06-045	5EZPB2412120301		HEATER LAMP S	1	1	No	No	No	No	No	No	No	No	No	No	No	No	No	No		
06-045	5EZPB2412120402		HEATER LAMP S	1	1	No	No	No	No	No	No	No	Yes	No	No	No	No	No	No		
06-049	5AAXTM009GEA		THERMISTOR ASSY	1	1	No	No	No	No	No	No	No	No	No	No	No	No	No	No		
06-049	5AAXTM013GEA		THERMISTOR ASSY	1	1	Yes	Yes	Yes	Yes	Yes	Yes	Yes	Yes	Yes	Yes	Yes	Yes	Yes	Yes		
08-004	5AAVBLADE027		BLADE ASSY		1	Yes	Yes	Yes	Yes	Yes	Yes	Yes	Yes	Yes	Yes	Yes	Yes	Yes	Yes		
08-014	5AAM7000E*03		SHEET DRUM LOW ASSY	1	1	No	No	No	No	No	No	Yes	Yes	No	No	No	No	No	No		
09-031	5AACCNB33GEA		CONN. CORD ASSY		1	No	No	No	No	No	No	No	No	No	No	No	No	No	No		
09-031	5AACCNQK4GEA		CONN. CORD ASSY		1	No	No	No	No	No	No	No	No	No	No	No	No	No	No		
09-031	5AACCNQT0GEA		CONN. CORD ASSY		1	Yes	Yes	Yes	Yes	Yes	Yes	Yes	Yes	Yes	Yes	Yes	Yes	Yes	Yes		
10A-01	5AAY7000E*20		TONER MOTOR ASSY		1	Yes	Yes	Yes	Yes	Yes	Yes	Yes	Yes	Yes	Yes	Yes	Yes	Yes	Yes		
11-001	5MVX976CH001		FRAME RIGHT		1	Yes	Yes	Yes	Yes	Yes	Yes	Yes	Yes	Yes	Yes	Yes	Yes	Yes	Yes		
11-002	5MVX774CH001		FRAME BOTTOM		1	Yes	Yes	Yes	Yes	Yes	Yes	Yes	Yes	Yes	Yes	Yes	Yes	Yes	Yes		
11-003	5MVB863CH001		HOLDER FEED		1	Yes	Yes	Yes	Yes	Yes	Yes	Yes	Yes	Yes	Yes	Yes	Yes	Yes	Yes		
11-004	5MVB852CB002		PLATE BOTTOM		1	No	No	No	No	No	No	No	No	No	No	No	No	No	No		
11-004	5MVB852CB003		PLATE BOTTOM		1	Yes	Yes	Yes	Yes	Yes	Yes	Yes	Yes	Yes	Yes	Yes	Yes	Yes	Yes		
11-005	5MVS427XN001		PAD FRICTION		1	Yes	Yes	Yes	Yes	Yes	Yes	Yes	Yes	Yes	Yes	Yes	Yes	Yes	Yes		
11-006	5MML831SL002		SUPPORT BOTTOM		1	Yes	Yes	Yes	Yes	Yes	Yes	Yes	Yes	Yes	Yes	Yes	Yes	Yes	Yes		
11-007	5MVX211DH001		LEVER RETURN		2	No	No	No	No	No	No	No	No	No	No	No	No	No	No		
11-008	5MVX632SB014		LEVER INTER LOCK		1	Yes	Yes	Yes	Yes	Yes	Yes	Yes	Yes	Yes	Yes	Yes	Yes	Yes	Yes		
11-009	5MML543LD003		PLATE EARTH MPF		1	Yes	Yes	Yes	Yes	Yes	Yes	Yes	Yes	Yes	Yes	Yes	Yes	Yes	Yes		
11-010	5MML732SL004		PLATE EARTH EF		1	Yes	Yes	Yes	Yes	Yes	Yes	Yes	Yes	Yes	Yes	Yes	Yes	Yes	Yes		
11-011	5MMS657SL016		BKT CLUTCH		1	Yes	Yes	Yes	Yes	Yes	Yes	Yes	Yes	Yes	Yes	Yes	Yes	Yes	Yes		
11-012	5MVG137DN016		GEAR FEED Z22		1	Yes	Yes	Yes	Yes	Yes	Yes	Yes	Yes	Yes	Yes	Yes	Yes	Yes	Yes		
11-013	5MVG138DN026		GEAR MD Z26		1	Yes	Yes	Yes	Yes	Yes	Yes	Yes	Yes	Yes	Yes	Yes	Yes	Yes	Yes		
11-014	5MVG137DN015		GEAR Z22		1	Yes	Yes	Yes	Yes	Yes	Yes	Yes	Yes	Yes	Yes	Yes	Yes	Yes	Yes		

REF.NO	PART CODE	PART CODE 1	DESCRIPTION	ISP	USED	FS-9000											CHP-9000		DP-3600	
						KEE	KEU	KEF	KEIS	KEA	KEI	BZL	PHN	KMSG	HKG	TWN	KMTH	CHU	MCA	
11-015	5MMT766SN005		SHAFT MPF		1	Yes	Yes	Yes	Yes	Yes	Yes	Yes	Yes	Yes	Yes	Yes	Yes	Yes	Yes	Yes
11-016	5MMT866SN023		ROLLER MPF MID		1	Yes	Yes	Yes	Yes	Yes	Yes	Yes	Yes	Yes	Yes	Yes	Yes	Yes	Yes	Yes
11-017	5MVX653CB001		BKT SEPARATOR		1	Yes	Yes	Yes	Yes	Yes	Yes	Yes	Yes	Yes	Yes	Yes	Yes	Yes	Yes	Yes
11-018	5MVB322DN001		CAP CONNECT EF		1	Yes	Yes	Yes	Yes	Yes	Yes	Yes	Yes	Yes	Yes	Yes	Yes	Yes	Yes	Yes
11-019	5MMW361LD012		SPRING SEPARATOR		1	No	No	No	No	No	No	No	No	No	No	No	No	No	No	No
11-019	5MMW361SD003		SPRING SEPARATOR		1	Yes	Yes	Yes	Yes	Yes	Yes	Yes	Yes	Yes	Yes	Yes	Yes	Yes	Yes	Yes
11-020	5MMW471LD001		SPRING BOTTOM		2	No	No	No	No	No	No	No	No	No	No	No	No	No	No	No
11-020	5MMW471SD001		SPRING BOTTOM		2	Yes	Yes	Yes	Yes	Yes	Yes	Yes	Yes	Yes	Yes	Yes	Yes	Yes	Yes	Yes
11-021	5MMW501LD001		SPRING PULLEY MD		2	Yes	Yes	Yes	Yes	Yes	Yes	Yes	Yes	Yes	Yes	Yes	Yes	Yes	Yes	Yes
11-022	5MVM373DB001		PULLEY S		4	Yes	Yes	Yes	Yes	Yes	Yes	Yes	Yes	Yes	Yes	Yes	Yes	Yes	Yes	Yes
11-023	5MVM176DB012		BUSH POM B		4	Yes	Yes	Yes	Yes	Yes	Yes	Yes	Yes	Yes	Yes	Yes	Yes	Yes	Yes	Yes
11-024	5MVM122DB004		BUSH POM EW		2	Yes	Yes	Yes	Yes	Yes	Yes	Yes	Yes	Yes	Yes	Yes	Yes	Yes	Yes	Yes
11-025	5ENXGP1A73A**01		PT.SENSOR GP1A73AZ		1	Yes	Yes	Yes	Yes	Yes	Yes	Yes	Yes	Yes	Yes	Yes	Yes	Yes	Yes	Yes
11-026	5AAVCLTCH007		CLUTCH ASSY	1	1	Yes	Yes	Yes	Yes	Yes	Yes	Yes	Yes	Yes	Yes	Yes	Yes	Yes	Yes	Yes
11-027	5AAVROLL*030		ROLLER FEED ASSY	1	1	Yes	Yes	Yes	Yes	Yes	Yes	Yes	Yes	Yes	Yes	Yes	Yes	Yes	Yes	Yes
11-028	5AAM7000E*01		SEPARATOR ASSY	1	1	Yes	Yes	Yes	Yes	Yes	Yes	Yes	Yes	Yes	Yes	Yes	Yes	Yes	Yes	Yes
11-029	5EZZ2401210101		SOLENOID TDS-F12G-1	1	1	Yes	Yes	Yes	Yes	Yes	Yes	Yes	Yes	Yes	Yes	Yes	Yes	Yes	Yes	Yes
11-030	5MVB542SB001		BKT SENSOR A		1	Yes	Yes	Yes	Yes	Yes	Yes	Yes	Yes	Yes	Yes	Yes	Yes	Yes	Yes	Yes
11-031	5MVX422DB006		ACTUATOR EF		1	Yes	Yes	Yes	Yes	Yes	Yes	Yes	Yes	No	No	Yes	No	Yes	Yes	Yes
11-032	5MMW161LD028		SPRING ACT EF		1	Yes	Yes	Yes	Yes	Yes	Yes	Yes	Yes	No	No	Yes	No	Yes	Yes	Yes
11-033	5MVB642SB010		BKT SENSOR B		1	Yes	Yes	Yes	Yes	Yes	Yes	Yes	Yes	Yes	Yes	Yes	Yes	Yes	Yes	Yes
11-035	5MMW161LD028		SPRING ACT EF		1	Yes	Yes	Yes	Yes	Yes	Yes	Yes	Yes	Yes	Yes	No	Yes	No	No	No
11-036	5MVX331SB007		ACTUATOR MPF A		1	Yes	Yes	Yes	Yes	Yes	Yes	Yes	Yes	Yes	Yes	Yes	Yes	Yes	Yes	Yes
11-037	5AAPRSSC1017AH		P.W.BOARD ASSY		1	Yes	Yes	Yes	Yes	Yes	Yes	Yes	Yes	Yes	Yes	Yes	Yes	Yes	Yes	Yes
11-038	5MVX311DB010		ACTUATOR MPF B		1	Yes	Yes	Yes	Yes	Yes	Yes	Yes	Yes	Yes	Yes	Yes	Yes	Yes	Yes	Yes
11-039	5MMW161LD027		SPRING ACT MPF		1	Yes	Yes	Yes	Yes	Yes	Yes	Yes	Yes	Yes	Yes	Yes	Yes	Yes	Yes	Yes
11-040	5ENXGP1A73A**01		PT.SENSOR GP1A73AZ		1	Yes	Yes	Yes	Yes	Yes	Yes	Yes	Yes	Yes	Yes	Yes	Yes	Yes	Yes	Yes
11-041	5ESM010242***01		MICRO SWITCH 01X02	1	1	Yes	Yes	Yes	Yes	Yes	Yes	Yes	Yes	Yes	Yes	Yes	Yes	Yes	Yes	Yes
11-042	5ESP01000101*01		PUSH SWITCH 01 SN		1	Yes	Yes	Yes	Yes	Yes	Yes	Yes	Yes	Yes	Yes	Yes	Yes	Yes	Yes	Yes
11-059	5AAV7000E*53		SENSOR ETON ASSY	1	1	Yes	Yes	Yes	Yes	Yes	Yes	Yes	Yes	Yes	Yes	Yes	Yes	Yes	Yes	Yes
11-060	5MMX433LD005		STOPPER CAM		1	Yes	Yes	Yes	Yes	Yes	Yes	Yes	Yes	Yes	Yes	Yes	Yes	Yes	Yes	Yes
11-061	5AAPRIFC1009BH		P.W.BOARD ASSY	1	1	Yes	Yes	Yes	Yes	Yes	Yes	Yes	Yes	Yes	Yes	Yes	Yes	Yes	Yes	Yes
11-062	5AACCNCQ8GGEA		CONN. CORD ASSY		1	Yes	Yes	Yes	Yes	Yes	Yes	Yes	Yes	Yes	Yes	Yes	Yes	Yes	Yes	Yes
11-063	5AACCNCB9GGEA		CONN. CORD ASSY		1	Yes	Yes	Yes	Yes	Yes	Yes	Yes	Yes	Yes	Yes	Yes	Yes	Yes	Yes	Yes
11-064	5MMW501LD002		SPRING PULLEY EF		2	Yes	Yes	Yes	Yes	Yes	Yes	Yes	Yes	Yes	Yes	Yes	Yes	Yes	Yes	Yes
11-065	5AAVTRAY*011		TRAY MPF ASSY		1	Yes	Yes	Yes	Yes	Yes	Yes	Yes	Yes	Yes	Yes	Yes	Yes	Yes	Yes	Yes
12-001	5MVX876SH018		FRAME FD		1	Yes	Yes	Yes	Yes	Yes	Yes	Yes	Yes	Yes	Yes	Yes	Yes	Yes	Yes	Yes
12-002	5MMT865SN006		ROLLER EXIT A		1	Yes	Yes	Yes	Yes	Yes	Yes	Yes	Yes	Yes	Yes	Yes	Yes	Yes	Yes	Yes
12-003	5MMS647SD001		PLATE JOINT FD		1	Yes	Yes	Yes	Yes	Yes	Yes	Yes	Yes	Yes	Yes	Yes	Yes	Yes	Yes	Yes
12-005	5MVG148DB010		GEAR FEED Z34		1	Yes	Yes	Yes	Yes	Yes	Yes	Yes	Yes	Yes	Yes	Yes	Yes	Yes	Yes	Yes
12-006	5MVG389RB001		BELT FD		1	Yes	Yes	Yes	Yes	Yes	Yes	Yes	Yes	Yes	Yes	Yes	Yes	Yes	Yes	Yes
12-007	5MVG327DN003		PULLEY P26		2	Yes	Yes	Yes	Yes	Yes	Yes	Yes	Yes	Yes	Yes	Yes	Yes	Yes	Yes	Yes
12-008	5MMX743LD003		PLATE EARTH FD		1	Yes	Yes	Yes	Yes	Yes	Yes	Yes	Yes	Yes	Yes	Yes	Yes	Yes	Yes	Yes
12-009	5ENXGP1A73A**01		PT.SENSOR GP1A73AZ		2	Yes	Yes	Yes	Yes	Yes	Yes	Yes	Yes	Yes	Yes	Yes	Yes	Yes	Yes	Yes
12-010	5MMT266SN003		PIN FD A		4	Yes	Yes	Yes	Yes	Yes	Yes	Yes	Yes	Yes	Yes	Yes	Yes	Yes	Yes	Yes
12-011	5MMT865SN007		ROLLER EXIT B		1	Yes	Yes	Yes	Yes	Yes	Yes	Yes	Yes	Yes	Yes	Yes	Yes	Yes	Yes	Yes
12-012	5MVG138DN033		GEAR Z29S		2	Yes	Yes	Yes	Yes	Yes	Yes	Yes	Yes	Yes	Yes	Yes	Yes	Yes	Yes	Yes
12-013	5MVG148DH001		GEAR IDLE Z33		1	Yes	Yes	Yes	Yes	Yes	Yes	Yes	Yes	Yes	Yes	Yes	Yes	Yes	Yes	Yes

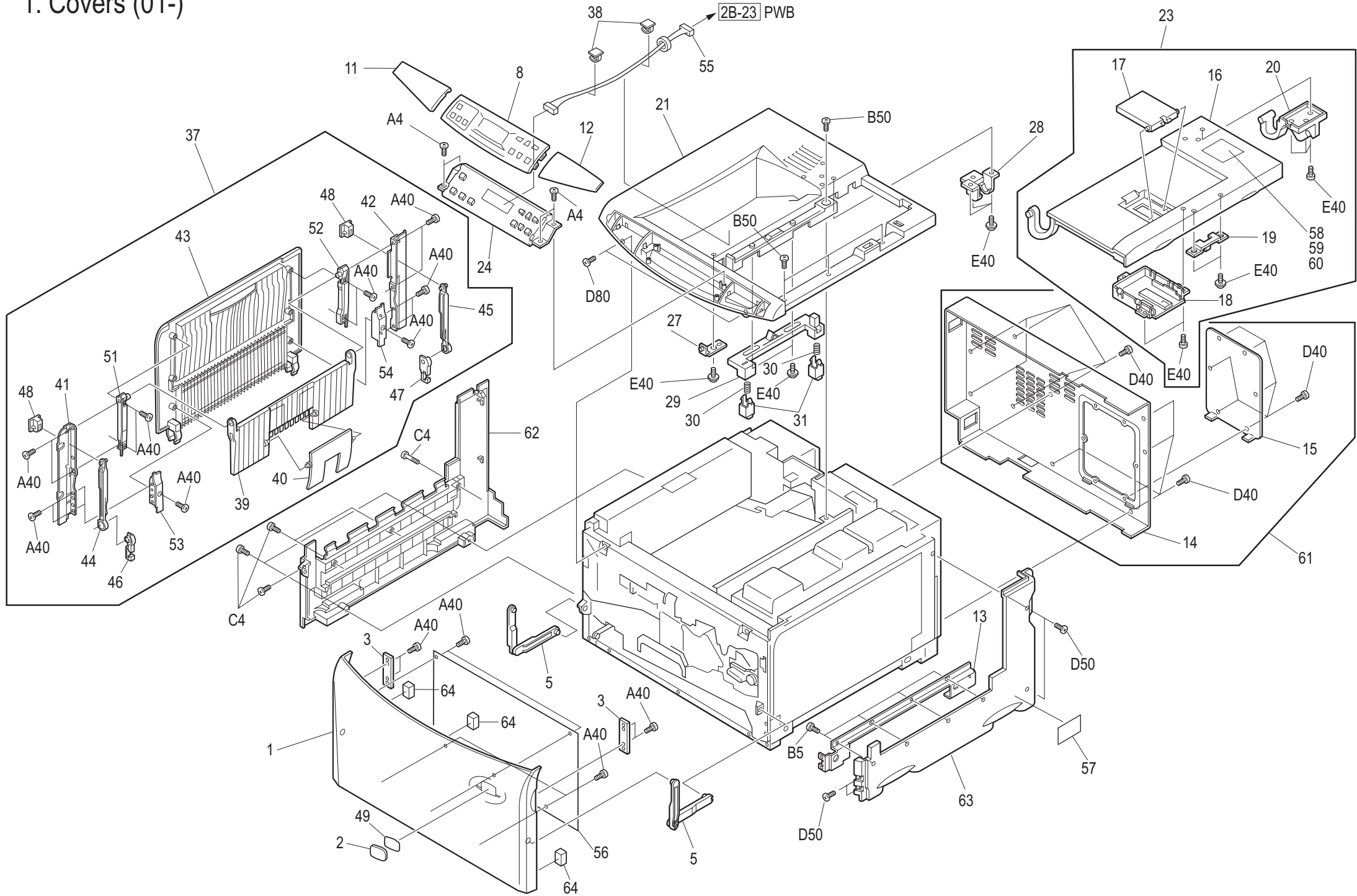
REF.NO	PART CODE	PART CODE 1	DESCRIPTION	ISP	USED	FS-9000												CHP-9000	DP-3600	
						KEE	KEU	KEF	KEIS	KEA	KEI	BZL	PHN	KMSG	HKG	TWN	KMTH	CHU	MCA	
12-014	5MVG148DB009		GEAR IDLE Z40		2	Yes	Yes	Yes	Yes	Yes	Yes	Yes	Yes	Yes	Yes	Yes	Yes	Yes	Yes	Yes
12-015	5MVX443SB003		ACTUATOR FD	1	1	Yes	Yes	Yes	Yes	Yes	Yes	Yes	Yes	Yes	Yes	Yes	Yes	Yes	Yes	Yes
12-016	5MVX322DB017		ACTUATOR FU	1	1	Yes	Yes	Yes	Yes	Yes	Yes	Yes	Yes	Yes	Yes	Yes	Yes	Yes	Yes	Yes
12-017	5MMW164LD001		SPRING FD		1	Yes	Yes	Yes	Yes	Yes	Yes	Yes	Yes	Yes	Yes	Yes	Yes	Yes	Yes	Yes
12-018	5MMW153LD003		SPRING FU		1	Yes	Yes	Yes	Yes	Yes	Yes	Yes	Yes	Yes	Yes	Yes	Yes	Yes	Yes	Yes
12-019	5MVG148DB030		GEAR Z38S		1	Yes	Yes	Yes	Yes	Yes	Yes	Yes	Yes	Yes	Yes	Yes	Yes	Yes	Yes	Yes
12-020	5MMW266LD006		SPRING PRESS A		1	Yes	Yes	Yes	Yes	Yes	Yes	Yes	Yes	Yes	Yes	Yes	Yes	Yes	Yes	Yes
12-021	5MVM166AN001		COLLAR		1	Yes	Yes	Yes	Yes	Yes	Yes	Yes	Yes	Yes	Yes	Yes	Yes	Yes	Yes	Yes
12-022	5MVX874SH002		COVER FD		1	Yes	Yes	Yes	Yes	Yes	Yes	Yes	Yes	Yes	Yes	Yes	Yes	Yes	Yes	Yes
12-023	5MVX321SH004		HOLDER FD R		2	Yes	Yes	Yes	Yes	Yes	Yes	Yes	Yes	Yes	Yes	Yes	Yes	Yes	Yes	Yes
12-024	5MVX321SH005		HOLDER FD L		2	Yes	Yes	Yes	Yes	Yes	Yes	Yes	Yes	Yes	Yes	Yes	Yes	Yes	Yes	Yes
12-025	5MVX863CB003		GUIDE CHANGE		1	Yes	Yes	Yes	Yes	Yes	Yes	Yes	Yes	Yes	Yes	Yes	Yes	Yes	Yes	Yes
12-026	5MMW245LD001		SPRING EXIT		4	Yes	Yes	Yes	Yes	Yes	Yes	Yes	Yes	Yes	Yes	Yes	Yes	Yes	Yes	Yes
12-027	5MVM174DB002		PULLEY EXIT		10	Yes	Yes	Yes	Yes	Yes	Yes	Yes	Yes	Yes	Yes	Yes	Yes	Yes	Yes	Yes
12-028	5MVX633SH007		LATCH FD		1	Yes	Yes	Yes	Yes	Yes	Yes	Yes	Yes	Yes	Yes	Yes	Yes	Yes	Yes	Yes
12-029	5MMW256LD001		SPRING LATCH		1	Yes	Yes	Yes	Yes	Yes	Yes	Yes	Yes	Yes	Yes	Yes	Yes	Yes	Yes	Yes
12-030	5MVX421SB018		ACTUATOR SOL		1	Yes	Yes	Yes	Yes	Yes	Yes	Yes	Yes	Yes	Yes	Yes	Yes	Yes	Yes	Yes
12-031	5MMW261LJ032		SPRING SOL	1	1	Yes	Yes	Yes	Yes	Yes	Yes	Yes	Yes	Yes	Yes	Yes	Yes	Yes	Yes	Yes
12-032	5EZZ2401020101		SOLENOID		1	Yes	Yes	Yes	Yes	Yes	Yes	Yes	Yes	Yes	Yes	Yes	Yes	Yes	Yes	Yes
12-033	5MVX774SB013		COVER SIDE		1	No	No	No	No	No	No	No	No	No	No	No	No	No	No	No
12-033	5MVX774SB014		COVER SIDE		1	Yes	Yes	Yes	Yes	Yes	Yes	Yes	Yes	Yes	Yes	Yes	Yes	Yes	Yes	Yes
12-037	5MMT733SN004		SHAFT EXIT		4	Yes	Yes	Yes	Yes	Yes	Yes	Yes	Yes	Yes	Yes	Yes	Yes	Yes	Yes	Yes
12-038	5MVX532SB006		ACTUATOR FULL	1	1	Yes	Yes	Yes	Yes	Yes	Yes	Yes	Yes	No	No	Yes	No	No	Yes	Yes
12-044	5MVX331SH001		HOLDER PULLEY		1	Yes	Yes	Yes	Yes	Yes	Yes	Yes	Yes	Yes	Yes	Yes	Yes	Yes	Yes	Yes
12-045	5MVX111DB009		PULLEY STOCKER		2	Yes	Yes	Yes	Yes	Yes	Yes	Yes	Yes	Yes	Yes	Yes	Yes	Yes	Yes	Yes
12-046	5MVX332SH002		STOCKER		1	Yes	Yes	Yes	Yes	Yes	Yes	Yes	Yes	Yes	Yes	Yes	Yes	Yes	Yes	Yes
12-047	5MVX422SH002		BASE STOCKER		1	Yes	Yes	Yes	Yes	Yes	Yes	Yes	Yes	Yes	Yes	Yes	Yes	Yes	Yes	Yes
12-048	5MMW605LD003		SPRING STOCKER		1	Yes	Yes	Yes	Yes	Yes	Yes	Yes	Yes	Yes	Yes	Yes	Yes	Yes	Yes	Yes
12-049	5MVG138DN036		GEAR Z29S A		1	Yes	Yes	Yes	Yes	Yes	Yes	Yes	Yes	Yes	Yes	Yes	Yes	Yes	Yes	Yes
12-050	5MMX331LD001		WASHER WAVE		1	Yes	Yes	Yes	Yes	Yes	Yes	Yes	Yes	Yes	Yes	Yes	Yes	Yes	Yes	Yes
12-051	5MMT865SN008		ROLLER EXIT C		1	Yes	Yes	Yes	Yes	Yes	Yes	Yes	Yes	Yes	Yes	Yes	Yes	Yes	Yes	Yes
12-052	5MMW143LD001		SPRING PULLEY		2	Yes	Yes	Yes	Yes	Yes	Yes	Yes	Yes	Yes	Yes	Yes	Yes	Yes	Yes	Yes
12-053	5MMW245LD002		SPRING EXIT A		4	Yes	Yes	Yes	Yes	Yes	Yes	Yes	Yes	Yes	Yes	Yes	Yes	Yes	Yes	Yes
12-054	5MMM121CX001		BUSH DRUM		6	Yes	Yes	Yes	Yes	Yes	Yes	No	Yes	No	No	Yes	No	No	Yes	Yes
12-055	5AACCNQB8GEA		CONN. CORD ASSY		1	No	No	No	No	No	No	No	No	No	No	No	No	No	No	No
12-055	5AACCNQS9GEA		CONN. CORD ASSY		1	Yes	Yes	Yes	Yes	Yes	Yes	Yes	Yes	Yes	Yes	Yes	Yes	Yes	Yes	Yes
12-055	5AACCNQ3GEA		CONN. CORD ASSY		1	No	No	No	No	No	No	No	Yes	Yes	Yes	Yes	Yes	No	Yes	Yes
12-056	5AACCNQF9GEA		CONN. CORD ASSY		1	No	No	No	No	No	No	No	No	No	No	No	No	No	No	No
12-056	5AACCNQS9GEA		CONN. CORD ASSY		1	No	No	No	No	No	No	No	Yes	Yes	Yes	Yes	Yes	No	Yes	Yes
12-057	5MVS526FF001		DISCHARGER FD		2	Yes	Yes	Yes	Yes	Yes	Yes	Yes	Yes	Yes	Yes	Yes	Yes	Yes	Yes	Yes
12-058	5MVF111DN005		BUSH SP		8	Yes	Yes	Yes	Yes	Yes	Yes	Yes	Yes	Yes	Yes	Yes	Yes	Yes	Yes	Yes
12-059	5AACCNQ3GEA		CONN. CORD ASSY		1	Yes	Yes	Yes	Yes	Yes	Yes	Yes	Yes	Yes	Yes	Yes	Yes	Yes	Yes	Yes
12A-01	5MVX864CH001		GUIDE FD		1	Yes	Yes	Yes	Yes	Yes	Yes	Yes	Yes	Yes	Yes	Yes	Yes	Yes	Yes	Yes
12A-01	5MVX864SH008		GUIDE FD		1	No	No	No	No	No	No	No	No	No	No	No	No	No	No	No
12A-02	5MVX332DH001		SNAP		2	Yes	Yes	Yes	Yes	Yes	Yes	Yes	Yes	Yes	Yes	Yes	Yes	Yes	Yes	Yes
12A-03	5ENXGP1A73A**01		PT.SENSOR GP1A73AZ		1	Yes	Yes	Yes	Yes	Yes	Yes	No	No	Yes	Yes	Yes	Yes	Yes	Yes	Yes
12A-04	5MMW453LD001		SPRING FULL		1	Yes	Yes	Yes	Yes	Yes	Yes	Yes	Yes	Yes	Yes	Yes	Yes	Yes	Yes	Yes
12A-05	5MMT733SN004		SHAFT EXIT		2	Yes	Yes	Yes	Yes	Yes	Yes	No	Yes	No	No	Yes	No	No	Yes	Yes

REF.NO	PART CODE	PART CODE 1	DESCRIPTION	ISP	USED	FS-9000												CHP-9000	DP-3600	
						KEE	KEU	KEF	KEIS	KEA	KEI	BZL	PHN	KMSG	HKG	TWN	KMTH	CHU	MCA	
12A-06	5MVX532SB006		ACTUATOR FULL	1	1	Yes	Yes	Yes	Yes	Yes	Yes	Yes	Yes	Yes	Yes	Yes	Yes	Yes	Yes	Yes
12A-07	5MMW606LD003		SPRING FD EXIT		2	Yes	Yes	Yes	Yes	Yes	Yes	Yes	Yes	Yes	Yes	Yes	Yes	Yes	Yes	Yes
12A-08	5MMS967SD001		PLATE FD		1	Yes	Yes	Yes	Yes	Yes	Yes	Yes	Yes	Yes	Yes	Yes	Yes	Yes	Yes	Yes
12A-09	5MMX662LD005		PLATE SWITCH		1	Yes	Yes	Yes	Yes	Yes	Yes	Yes	Yes	Yes	Yes	Yes	Yes	Yes	Yes	Yes
12A-10	5AAPRZZC1048AH		P.W.BOARD ASSY	1	1	Yes	Yes	Yes	Yes	Yes	Yes	Yes	Yes	Yes	Yes	Yes	Yes	Yes	Yes	Yes
12A-11	5MVM174DB002		PULLEY EXIT		4	Yes	Yes	Yes	Yes	Yes	Yes	No	No	No	No	Yes	No	No	Yes	
A-001	5AACAC388BSA	5AACAC458BSA	AC CORD ASSY		1	No	No	No	No	No	No	No	No	No	No	No	No	No	No	No
A-001	5AACAC393JULA		AC CORD ASSY		1	No	No	No	No	No	Yes	Yes	No	No	No	Yes	No	No	No	Yes
A-001	5AACAC404ASA		AC CORD ASSY		1	No	No	No	No	Yes	No	No	No	No	No	No	No	No	No	No
A-001	5AACAC428EEA		AC CORD ASSY		1	Yes	No	Yes	Yes	No	No	No	Yes	No	No	No	Yes	Yes	No	No
A-001	5AACAC444JAA		AC CORD ASSY		1	No	No	No	No	No	No	No	No	No	No	Yes	No	No	No	No
A-001	5AACAC458BSA		AC CORD ASSY		1	No	Yes	No	No	No	No	No	No	Yes	Yes	No	No	No	No	No
P-001	5AAK70+E**01		PACKING ASSY		1	No	No	No	No	No	No	No	No	No	No	No	No	No	No	No
P-001	5AAK7000E*01		PACKING ASSY		1	No	No	No	No	No	No	No	No	No	No	No	No	No	No	No
P-001	5AAK9000MT01		PACKING ASSY		1	No	No	No	No	No	No	No	No	No	No	No	No	No	No	Yes
P-001	5AAK7000J*01		PACKING ASSY		1	No	No	No	No	No	No	No	No	No	No	No	No	No	No	No
P-001	5AAK70+CH*01		PACKING ASSY		1	No	No	No	No	No	No	No	No	No	No	No	No	No	No	No
P-001	5AAK70+LE*01		PACKING ASSY		1	No	No	No	No	No	No	No	No	No	No	No	No	No	No	No
P-002	5KKS70+E**01		OUTER CARTON		1	No	No	No	No	No	No	No	No	No	No	No	No	No	No	No
P-002	5KKS70+U*01		OUTER CARTON		1	No	No	No	No	No	No	No	No	No	No	No	No	No	No	No
P-002	5KKS70+MT*01		OUTER CARTON		1	No	No	No	No	No	No	No	No	No	No	No	No	No	No	No
P-002	5KKS7028MU02		OUTER CARTON		1	No	No	No	No	No	No	No	No	No	No	No	No	No	No	No
P-002	5KKS7000E*02		OUTER CARTON		1	No	No	No	No	No	No	No	No	No	No	No	No	No	No	No
P-002	5KKS7000J*01		OUTER CARTON		1	No	No	No	No	No	No	No	No	No	No	No	No	No	No	No
P-002	5KKS70+CH*01		OUTER CARTON		1	No	No	No	No	No	No	No	No	No	No	No	No	No	Yes	No
P-002	5KKS70+LE*01		OUTER CARTON LEG		1	No	No	No	No	No	No	No	No	No	No	No	No	No	No	No
PWBA/D	5AAPRMEG4019QH		P.W.B. ASSY KP-610	1	1	No	No	No	No	No	No	No	No	No	No	No	No	No	No	No
PWBA/D	5AAPRMEG4021AQ		P.W.BOARD ASSY	1	1	Yes	Yes	Yes	Yes	Yes	Yes	Yes	Yes	Yes	Yes	Yes	Yes	Yes	Yes	No
PWBA/D	5AAPMEG4021DQ		P.W.BOARD ASSY		1	No	No	No	No	No	No	No	No	No	No	No	No	No	No	No
PWBA/D	5AAPRMEG4018AH		P.W.B. ASSY KP-537	1	1	No	No	No	No	No	No	No	No	No	No	No	No	No	No	No
PWBA/D	5AAPRMEG4019VH		P.W.BOARD ASSY	1	1	No	No	No	No	No	No	No	No	No	No	No	No	No	No	No
PWBA/D	5AAPRMEG4021BQ		P.W.B. ASSY KP-691	1	1	No	No	No	No	No	No	No	No	No	No	No	No	No	No	No
PWBA/D	5AAPRMEG4021CQ		P.W.BOARD ASSY	1	1	No	No	No	No	No	No	No	No	No	No	No	No	No	No	No
PWBA/D	5AAPRMEG4021DQ		P.W.BOARD ASSY	1	1	No	No	No	No	No	No	No	No	No	No	No	No	No	No	Yes
PWBA/D	5AAPRMEG4018BH		P.W.B. ASSY KP-537	1	1	No	No	No	No	No	No	No	No	No	No	No	No	No	No	No
	5AACCNQGOGEA		CONN. CORD ASSY		1	Yes	Yes	Yes	Yes	Yes	Yes	Yes	Yes	Yes	Yes	Yes	Yes	Yes	Yes	Yes
	5AAY70+E**16		FRAME REAR ASSY		1	No	No	No	No	No	No	No	No	No	No	No	No	No	No	No
	5AAY70+E**18		PLATE FRAME ASSY		1	No	No	No	No	No	No	No	No	No	No	No	No	No	No	No
	5AAY70+E**19		FRAME FRONT ASSY		1	No	No	No	No	No	No	No	No	No	No	No	No	No	No	No
	5AAY70+E**26		FACE DOWN UNIT		1	No	No	No	No	No	No	No	No	No	No	No	No	No	No	No
	5AAY70+E**35		RAIL CASE L ASSY		1	Yes	Yes	Yes	Yes	Yes	Yes	Yes	Yes	Yes	Yes	Yes	Yes	Yes	Yes	Yes
	5AAY7000E*27		COVER TOP ASSY		1	No	No	No	No	No	No	No	No	No	No	No	No	No	No	No
	5AAY7028MU20		FRAME FRONT ASSY		1	No	No	No	No	No	No	No	No	No	No	No	No	No	No	No
	5AAY7028MU14		RAIL DLP ASSY		1	No	No	No	No	No	No	No	No	No	No	No	No	No	No	No
	5AAY7000E*56		REGIST LOW ASSY	1	1	No	No	No	No	No	No	No	No	No	No	No	No	No	No	No
	5AAY7000E*67		PLATE FRAME ASSY		1	No	No	No	No	No	No	No	No	No	No	No	No	No	No	No
	5AAY9000E*11	5AAY9000E*41	FACE DOWN UNIT		1	Yes	Yes	Yes	Yes	Yes	Yes	Yes	Yes	Yes	Yes	Yes	Yes	Yes	Yes	Yes
	5AAY9000E*12		COVER TOP ASSY	1	1	Yes	Yes	Yes	Yes	Yes	Yes	Yes	Yes	Yes	Yes	Yes	Yes	Yes	Yes	Yes

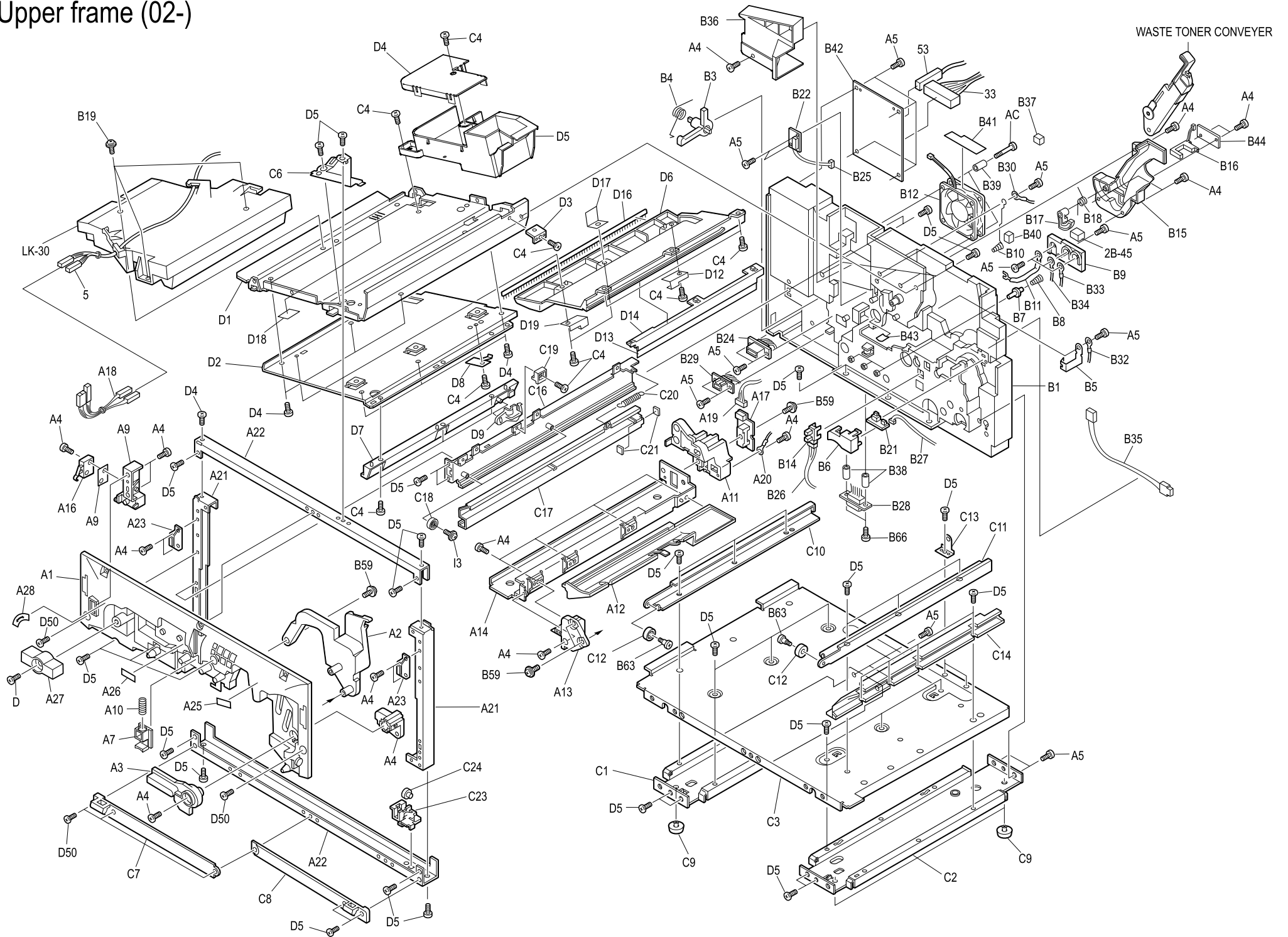
REF.NO	PART CODE	PART CODE 1	DESCRIPTION	ISP	USED	FS-9000											CHP-9000	DP-3600		
						KEE	KEU	KEF	KEIS	KEA	KEI	BZL	PHN	KMSG	HKG	TWN	KMTH	CHU	MCA	
	5AAY7028MU09		COVER TOP ASSY	1	1	No	No	No	No	No	No	No	No	No	No	No	No	No	No	No
	5AAY9000J*06		COVER TOP ASSY	1	1	No	No	No	No	No	No	No	No	No	No	No	No	No	No	No
	5MMX411LD004		PLATE SEPARATOR		1	Yes	Yes	Yes	Yes	Yes	Yes	Yes	Yes	Yes	Yes	Yes	Yes	Yes	Yes	Yes
	5AAY70+E**24		GUIDE TC ASSY		1	No	No	No	No	No	No	No	No	No	No	No	No	No	No	No
	5AAY9000MT12		GUIDE TC ASSY		1	No	No	No	No	No	No	No	No	No	No	No	No	No	No	No
	5AAY7700J*14		GUIDE TC ASSY		1	No	No	No	No	No	No	No	No	No	No	No	No	No	No	No
	5AAY7000E*86		MPF ASSY		1	No	No	No	No	No	No	No	No	No	No	No	No	No	No	No
	5AAY9000E*40		MPF ASSY		1	Yes	Yes	Yes	Yes	Yes	Yes	Yes	Yes	Yes	Yes	Yes	Yes	Yes	Yes	Yes
			DELETED PARTS AS FOLLOWS;																	
11-050	5MVB873CH001		COVER TRAY		1	No	No	No	No	No	No	Yes	Yes	No	No	No			No	No
11-051	5MVB873CH002		TRAY A		1	No	No	No	No	No	No	Yes	Yes	No	No	No			No	No
11-052	5MVS871SH001		TRAY B		1	No	No	No	No	No	No	Yes	Yes	No	No	No			No	No
11-053	5MVS761CH001		TRAY C		1	No	No	No	No	No	No	Yes	Yes	No	No	No			No	No
11-054	5MVX773SH001		GUIDE PAPER R		1	No	No	No	No	No	No	Yes	Yes	No	No	No			No	No
11-055	5MVX773SH002		GUIDE PAPER L		1	No	No	No	No	No	No	Yes	Yes	No	No	No			No	No
11-056	5MVH622DH001		ARM TRAY R		1	No	No	No	No	No	No	Yes	Yes	No	No	No			No	No
11-057	5MVH622DH002		ARM TRAY L		1	No	No	No	No	No	No	Yes	Yes	No	No	No			No	No
11-058	5MVG127SH003		GEAR MANUAL		1	No	No	No	No	No	No	Yes	Yes	No	No	No			No	No
	5AAM1700E*02		CD ROM		1	Yes	Yes	Yes	Yes	Yes	Yes	Yes	Yes	Yes	Yes	Yes			No	No
	5AAM7000E*02		CD ROM		1	No	No	No	No	No	No	No	No	No	No	No			No	No
	5KKT70+E**JX		INSTALLATION MANUAL		1	No	No	No	No	No	No	No	No	No	No	No			No	No
	5KKT7000E*JB		INSTALLATION MANUAL		1	No	No	No	No	No	No	No	No	No	No	No			No	No
B03-06	5MBP2525WPLD		PARALLEL PIN		1	Yes	Yes	Yes	Yes	Yes	Yes	Yes	Yes	Yes	Yes	Yes			Yes	Yes
B03-10	5MBE*687ZZ**		BALL BEARING		4	Yes	Yes	Yes	Yes	Yes	Yes	Yes	Yes	Yes	Yes	Yes			Yes	Yes
B03-10	5MBP2525WPLD		PARALLEL PIN		1	No	No	No	No	No	No	Yes	Yes	No	No	Yes			No	Yes
B04-14	5MBWG40854SZ		OT LOCK WASHER		1	Yes	Yes	Yes	Yes	Yes	Yes	Yes	Yes	Yes	Yes	Yes			Yes	Yes
B11-01	5MBP2012WPLD		PARALLEL PIN		1	Yes	Yes	Yes	Yes	Yes	Yes	Yes	Yes	Yes	Yes	Yes			Yes	Yes
B11-02	5MBP2012WWLD		SPRING PIN		1	Yes	Yes	Yes	Yes	Yes	Yes	Yes	Yes	Yes	Yes	Yes			Yes	Yes
B12-02	5MBP2514WXSP		SPRING PIN		1	Yes	Yes	Yes	Yes	Yes	Yes	Yes	Yes	Yes	Yes	Yes			Yes	Yes
	5KKA7000E*01		BOTTOM SHEET		1	Yes	Yes	Yes	Yes	Yes	Yes	Yes	Yes	Yes	Yes	Yes			Yes	Yes
	5KKATK30**01		INNER PAD L		1	Yes	Yes	Yes	Yes	Yes	Yes	Yes	Yes	Yes	Yes	Yes			No	Yes
	5KKATK30**02		INNER PAD R		1	Yes	Yes	Yes	Yes	Yes	Yes	Yes	Yes	Yes	Yes	Yes			No	Yes
	5KKF65A060B4		POLY BAG		1	Yes	Yes	Yes	Yes	Yes	Yes	Yes	Yes	Yes	Yes	Yes			Yes	Yes
	5KKPTK30**01		INNER CARTON		1	Yes	Yes	Yes	Yes	Yes	Yes	Yes	Yes	Yes	Yes	Yes			No	Yes
	5KKS7000E*01		BOTTOM OUTER CARTON		1	Yes	Yes	Yes	Yes	Yes	Yes	Yes	Yes	Yes	Yes	Yes			Yes	Yes
	5KKT7000J*XC		USER'S MANUAL		1	No	No	No	No	No	No	No	No	No	No	No			No	No
	5MMB953SD001		BKT RIGHT		1	Yes	Yes	Yes	Yes	Yes	Yes	Yes	Yes	Yes	Yes	Yes			Yes	Yes
	5MML822SD002		BKT RIGHT S		1	Yes	Yes	Yes	Yes	Yes	Yes	Yes	Yes	Yes	Yes	Yes			Yes	Yes
	5MVB322EN001		CAP WASTE		1	Yes	Yes	Yes	Yes	Yes	Yes	Yes	Yes	Yes	Yes	Yes			No	Yes
	5MVB421CB001		HOLDER SEPARATOR		1	Yes	Yes	Yes	Yes	Yes	Yes	Yes	Yes	Yes	Yes	Yes			Yes	Yes
	5MVS427RN003		PAD SEPARATOR		1	Yes	Yes	Yes	Yes	Yes	Yes	Yes	Yes	Yes	Yes	Yes			Yes	Yes
	5MVS881EE001		POLY BAG		1	Yes	Yes	Yes	Yes	Yes	Yes	Yes	Yes	Yes	Yes	Yes			No	Yes
	5MVS926PN001		P.P BAND		2	Yes	Yes	Yes	Yes	Yes	Yes	Yes	Yes	Yes	Yes	Yes			Yes	Yes
	5MVVL221WN21		LABEL LIMIT		1	Yes	Yes	Yes	Yes	Yes	Yes	Yes	Yes	Yes	Yes	Yes			Yes	Yes

REF.NO	PART CODE	PART CODE 1	DESCRIPTION	ISP	USED	FS-9000											CHP-9000	DP-3600		
						KEE	KEU	KEF	KEIS	KEA	KEI	BZL	PHN	KMSG	HKG	TWN	KMTH	CHU	MCA	
	5MVX211SB019		HOLDER SENSOR		1	Yes	Yes	Yes	Yes	Yes	Yes	Yes	Yes	Yes	Yes	Yes	Yes	Yes	Yes	Yes
	5MVX533SB005		BKT PHOTO SENSOR		1	Yes	Yes	Yes	Yes	Yes	Yes	Yes	Yes	Yes	Yes	Yes	Yes	Yes	Yes	Yes
	5MVX622SB011		ROLLER FEED TONER		1	Yes	Yes	Yes	Yes	Yes	Yes	Yes	Yes	Yes	Yes	Yes	Yes	Yes	Yes	Yes
	5AAK7000E*02		BOTTOM PAD R ASSY		1	Yes	Yes	Yes	Yes	Yes	Yes	Yes	Yes	Yes	Yes	Yes	Yes	Yes	Yes	Yes
	5AAK7000E*04		TOP PAD ASSY		1	Yes	Yes	Yes	Yes	Yes	Yes	Yes	Yes	Yes	Yes	Yes	Yes	Yes	Yes	Yes
	5AAPRSSC1020AH		P.W.BOARD ASSY	1	1	Yes	Yes	Yes	Yes	Yes	Yes	Yes	Yes	Yes	Yes	Yes	Yes	Yes	Yes	Yes
	5AAVBASE*012		BASE STAY L ASSY		1	Yes	Yes	Yes	Yes	Yes	Yes	Yes	Yes	Yes	Yes	Yes	Yes	Yes	Yes	Yes
	5AAVBASE*013		BASE STAY R ASSY		1	Yes	Yes	Yes	Yes	Yes	Yes	Yes	Yes	Yes	Yes	Yes	Yes	Yes	Yes	Yes
	5AAVRA1L*001		RAIL DU L ASSY		1	Yes	Yes	Yes	Yes	Yes	Yes	Yes	Yes	Yes	Yes	Yes	Yes	Yes	Yes	Yes
	5AAVRA1L*002		RAIL DU R ASSY		1	Yes	Yes	Yes	Yes	Yes	Yes	Yes	Yes	Yes	Yes	Yes	Yes	Yes	Yes	Yes
	5AAXFP097GEA		FLOPPY ASSY		1	No	No	No	No	No	No	No	No	No	No	No	No	No	No	No
	5AAY7000E*13		GUIDE PAPER ASSY		1	Yes	Yes	Yes	Yes	Yes	Yes	Yes	Yes	Yes	Yes	Yes	Yes	Yes	Yes	Yes
	5AAY7000E*14		GUIDE TC ASSY		1	No	No	No	No	No	No	No	No	No	No	No	No	No	No	No
	5AAY7000E*15		PULLEY MIDDLE ASSY		2	Yes	Yes	Yes	Yes	Yes	Yes	Yes	Yes	Yes	Yes	Yes	Yes	Yes	Yes	Yes
	5AAY7000E*16		BRACKET PULLEY ASSY		1	Yes	Yes	Yes	Yes	Yes	Yes	Yes	Yes	Yes	Yes	Yes	Yes	Yes	Yes	Yes
	5AAY7000E*18		RAIL CASE R ASSY		1	Yes	Yes	Yes	Yes	Yes	Yes	Yes	Yes	Yes	Yes	Yes	Yes	Yes	Yes	Yes
	5AAY7000E*38		SENSOR BKT A ASSY		1	Yes	Yes	Yes	Yes	Yes	Yes	Yes	Yes	Yes	Yes	Yes	Yes	Yes	Yes	Yes
	5AAY7000E*39		SENSOR BKT B ASSY		1	Yes	Yes	Yes	Yes	Yes	Yes	Yes	Yes	Yes	Yes	Yes	Yes	Yes	Yes	Yes
	5AAY7000E*40		FRAME REAR ASSY		1	No	No	No	No	No	No	No	No	No	No	No	No	No	No	No
	5AAY7000E*41		FRAME FRONT ASSY		1	No	No	No	No	No	No	No	No	No	No	No	No	No	No	No
	5AAY7000E*44		RAIL DLP ASSY		1	Yes	Yes	Yes	Yes	Yes	Yes	Yes	Yes	Yes	Yes	Yes	Yes	Yes	Yes	Yes
	5AAY7000E*45		TOWER GUIDE ASSY		1	Yes	Yes	Yes	Yes	Yes	Yes	Yes	Yes	Yes	Yes	Yes	Yes	Yes	Yes	Yes
	5AAY7000E*49		RAIL BASE L ASSY		1	Yes	Yes	Yes	Yes	Yes	Yes	Yes	Yes	Yes	Yes	Yes	Yes	Yes	Yes	Yes
	5AAY7000E*50		RAIL CASE L ASSY		1	No	No	No	No	No	No	No	No	No	No	No	No	No	No	No
	5AAY7000E*51		PLATE RELEASE ASSY		1	Yes	Yes	Yes	Yes	Yes	Yes	Yes	Yes	Yes	Yes	Yes	Yes	Yes	Yes	Yes
	5AAY7000E*52		PLATE LOCK B ASSY		1	Yes	Yes	Yes	Yes	Yes	Yes	Yes	Yes	Yes	Yes	Yes	Yes	Yes	Yes	Yes
	5AAY7000E*65		GUIDE FD ASSY		1	No	No	No	No	No	No	No	No	No	No	No	No	No	No	No
	5AAY7000J*12		COVER TOP ASSY		1	No	No	No	No	No	No	No	No	No	No	No	No	No	No	No
	5AAYTK20**03		GRID CLEANER 3 ASSY		1	Yes	Yes	Yes	Yes	Yes	Yes	Yes	Yes	Yes	Yes	Yes	Yes	Yes	Yes	Yes
	5AAK7000E*03		BOTTOM PAD L ASSY		1	Yes	Yes	Yes	Yes	Yes	Yes	Yes	Yes	Yes	Yes	Yes	Yes	Yes	Yes	Yes

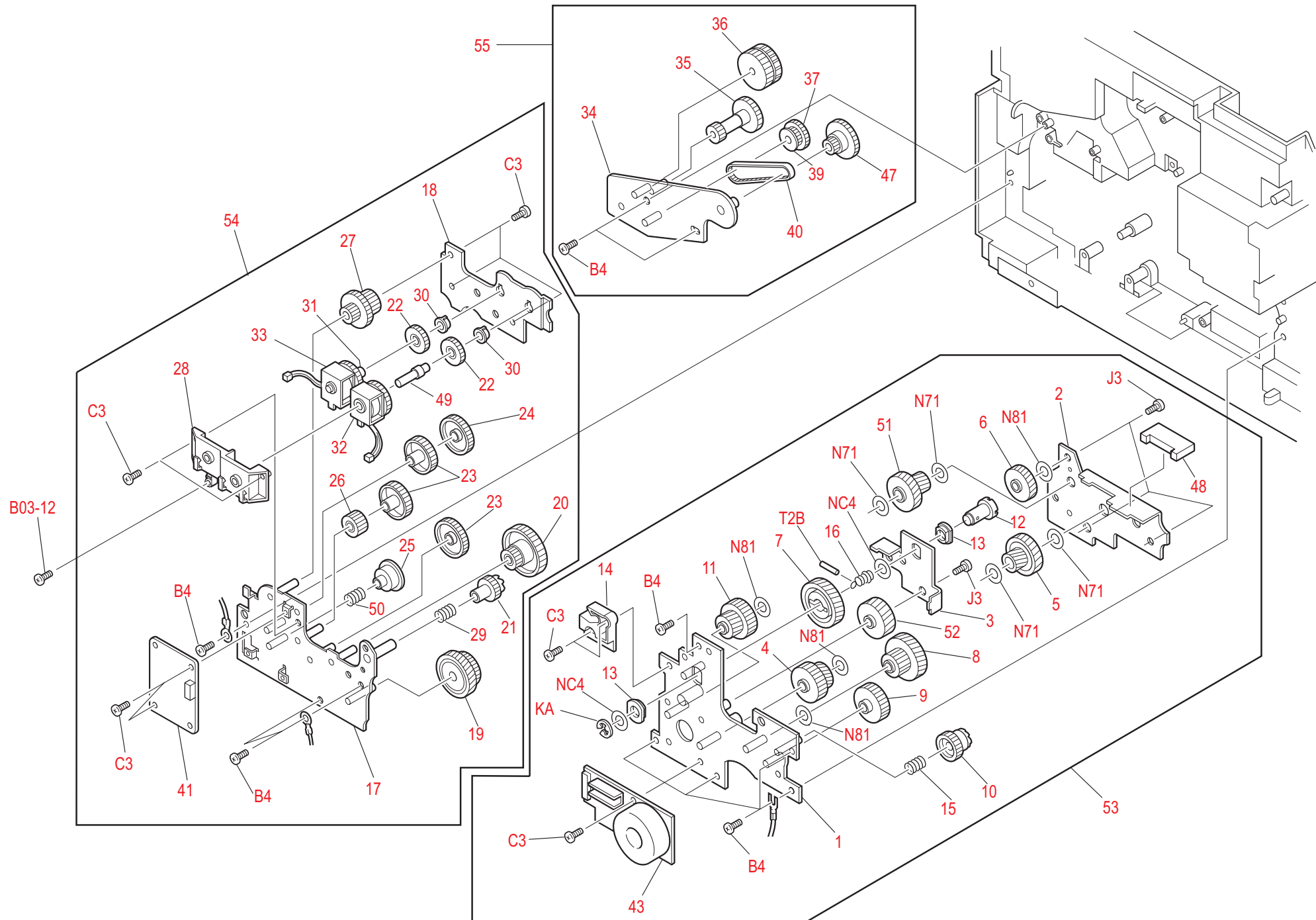
1. Covers (01-)



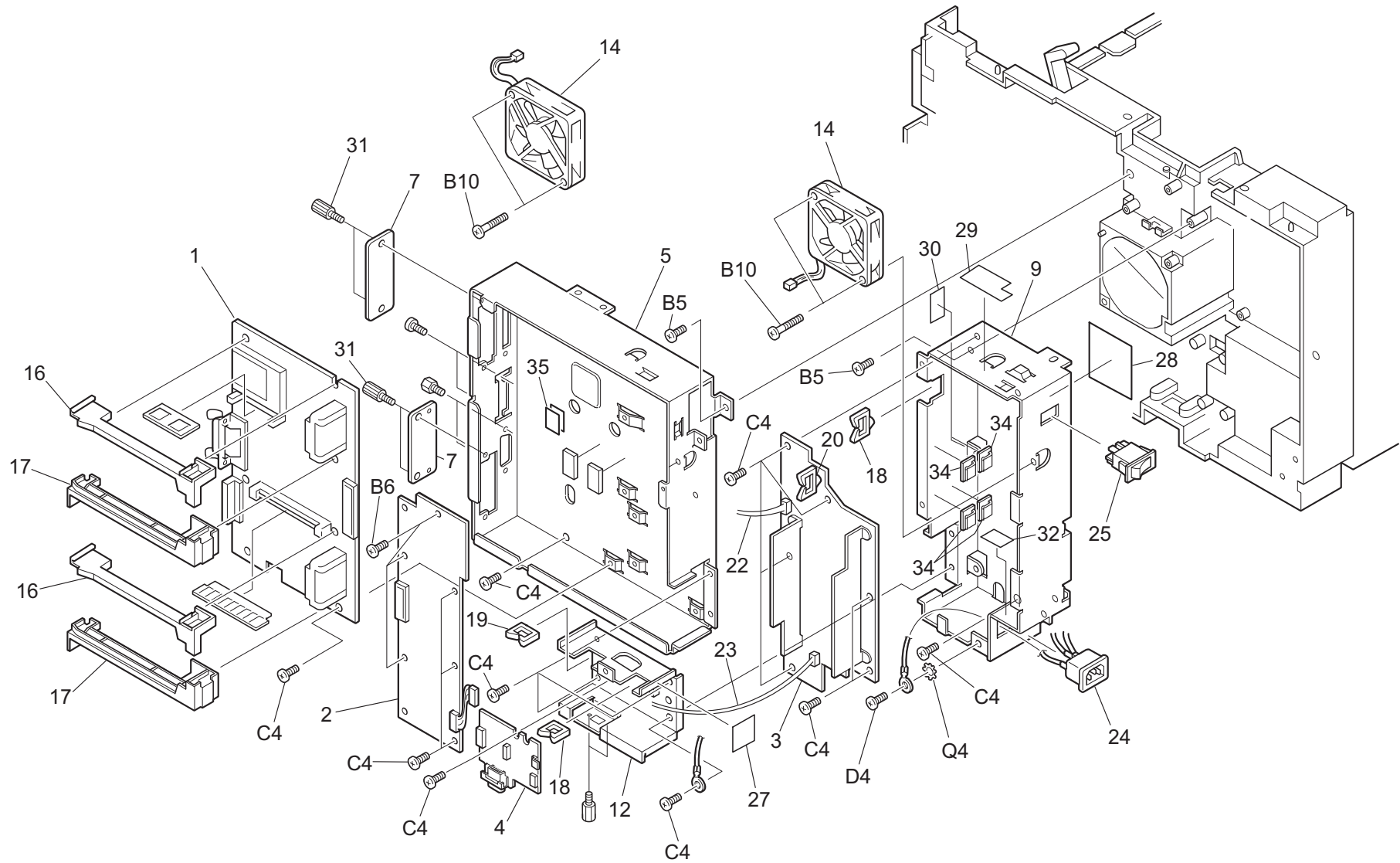
2. Upper frame (02-)



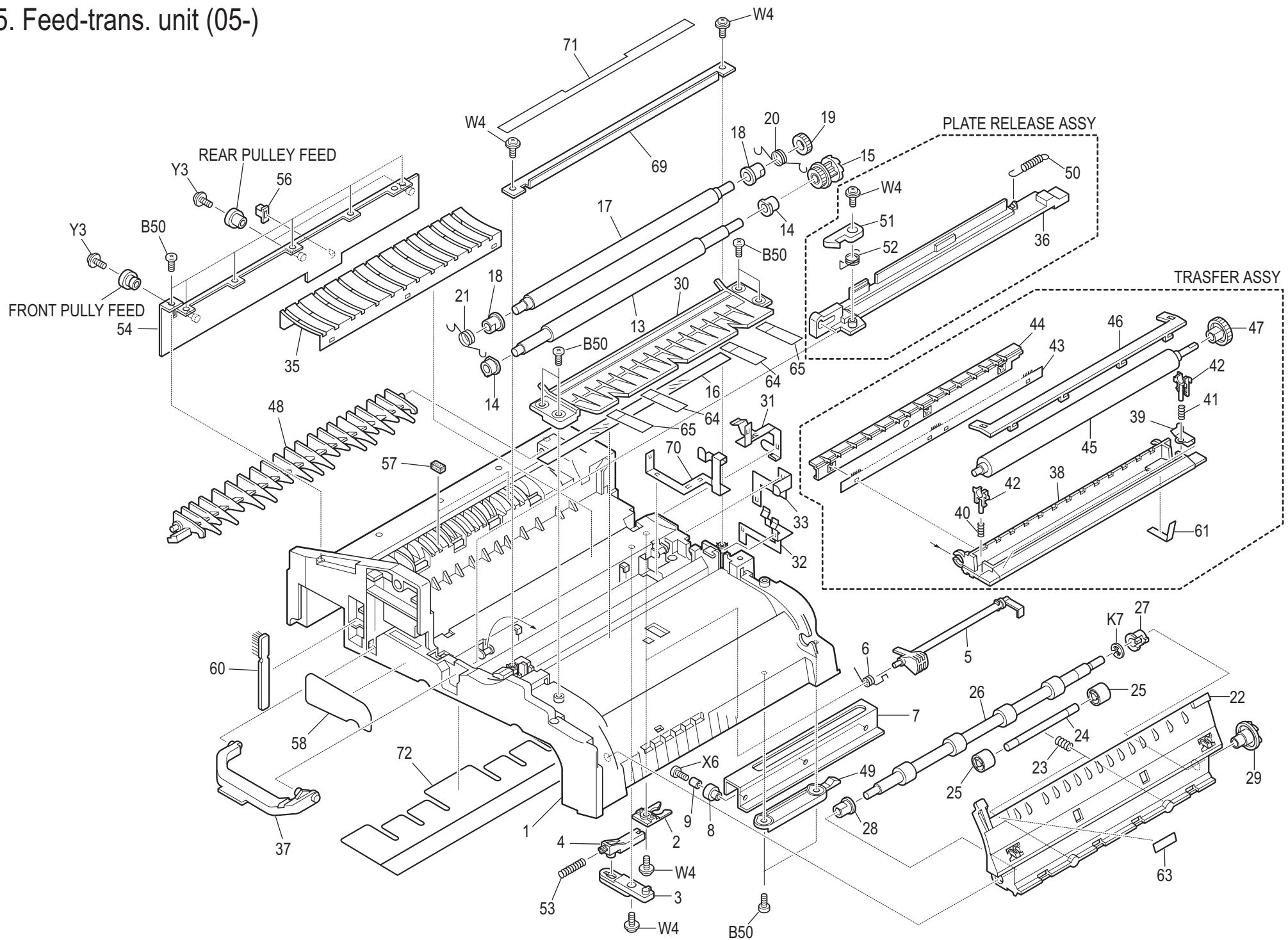
3. Drive unit (03-)



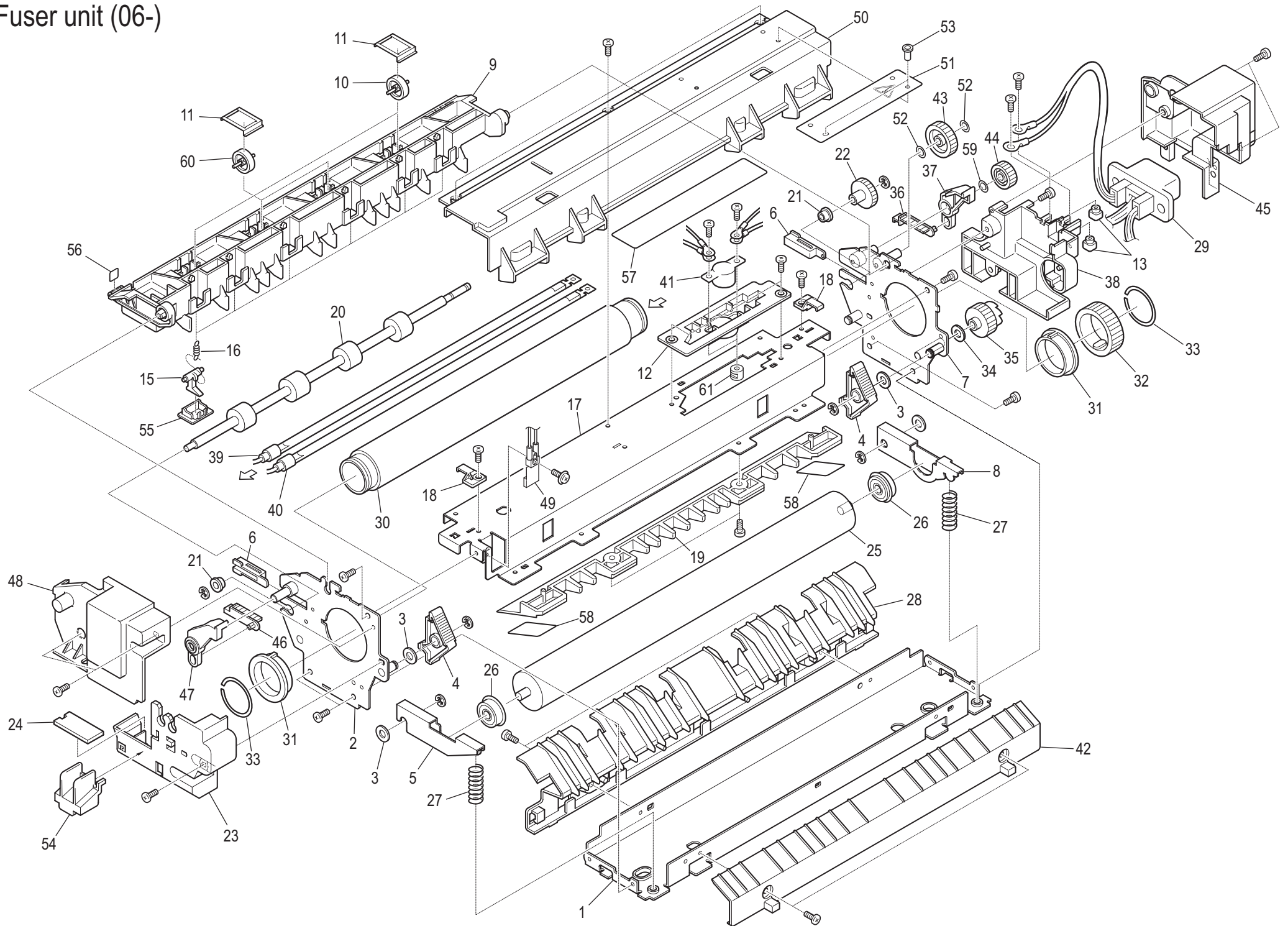
4. Controller box (04-)



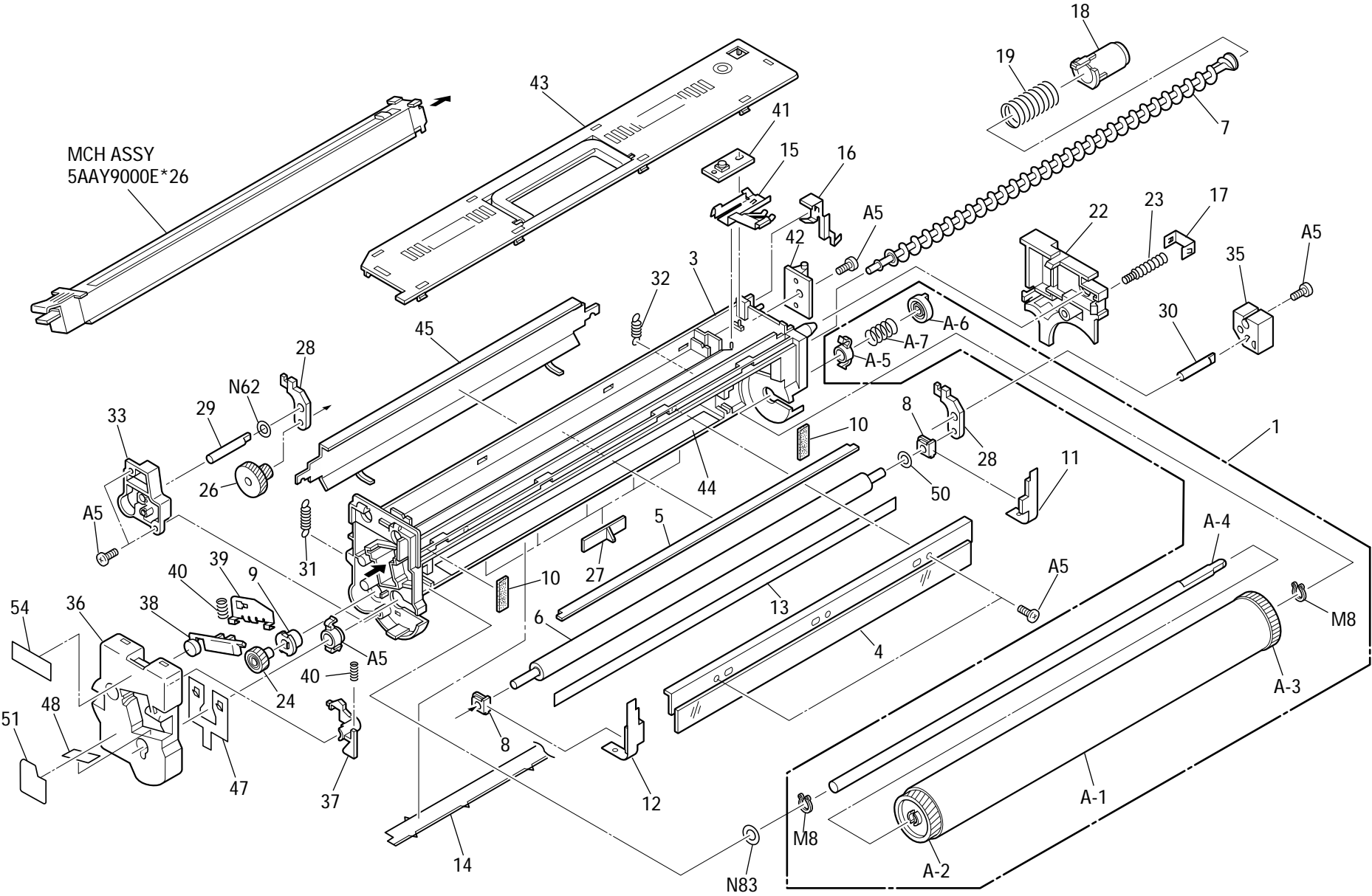
5. Feed-trans. unit (05-)



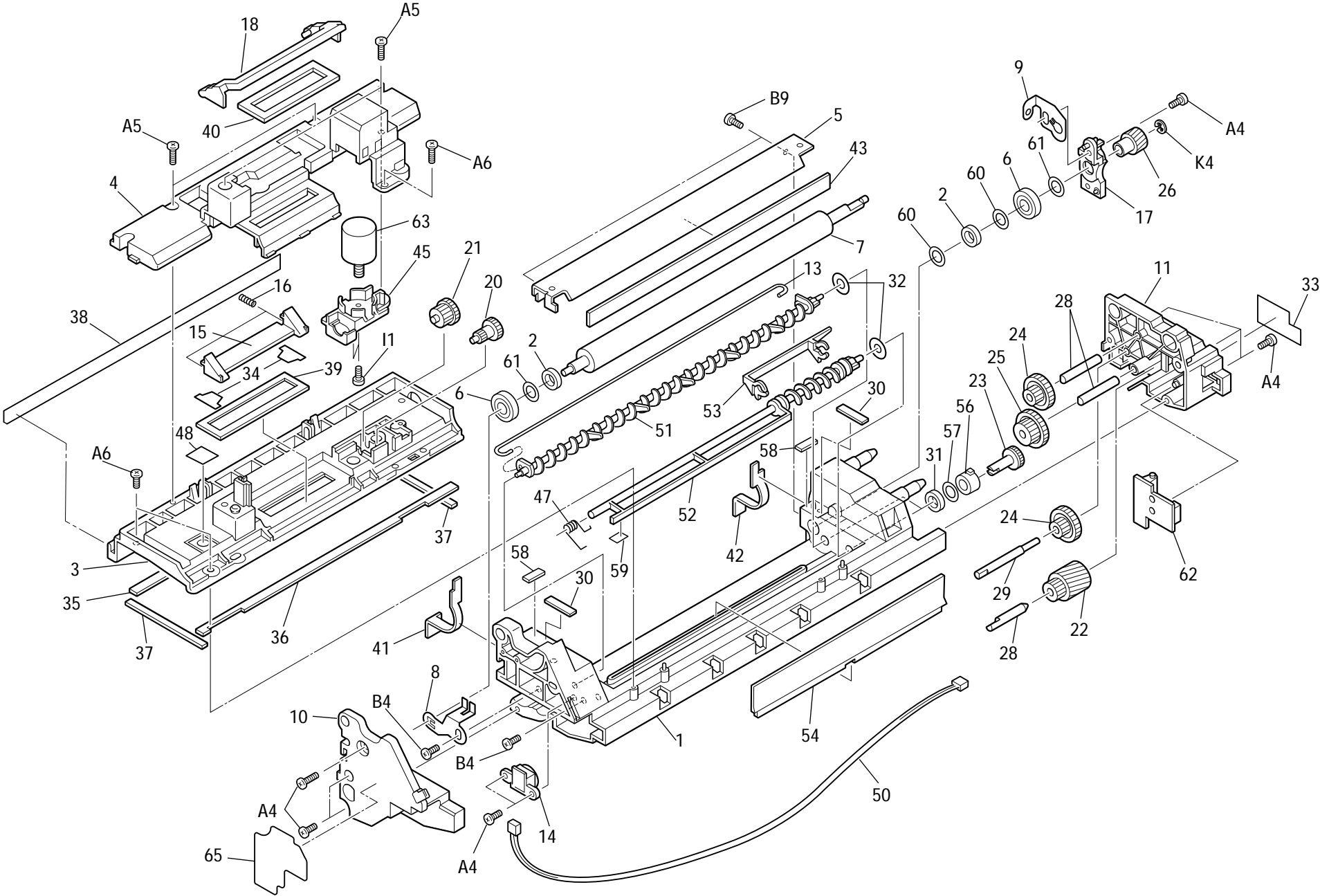
6. Fuser unit (06-)



7. Drum unit (08-)



8. Developer unit (10-)



9. Multi-purpose tray (11-)

