



**OPTIONS IMPRIMANTES**

**HS-3**

# **NOMENCLATURE**

**18-12-1998**

# HS-3 Pièces détachées

## Table des matières

|                              |   |
|------------------------------|---|
| Vue d'ensemble (Fig.1) ..... | 3 |
|------------------------------|---|

## Introduction

Les figures qui suivent représentent l'assemblage de l'imprimante ou des options, par sous-ensembles.

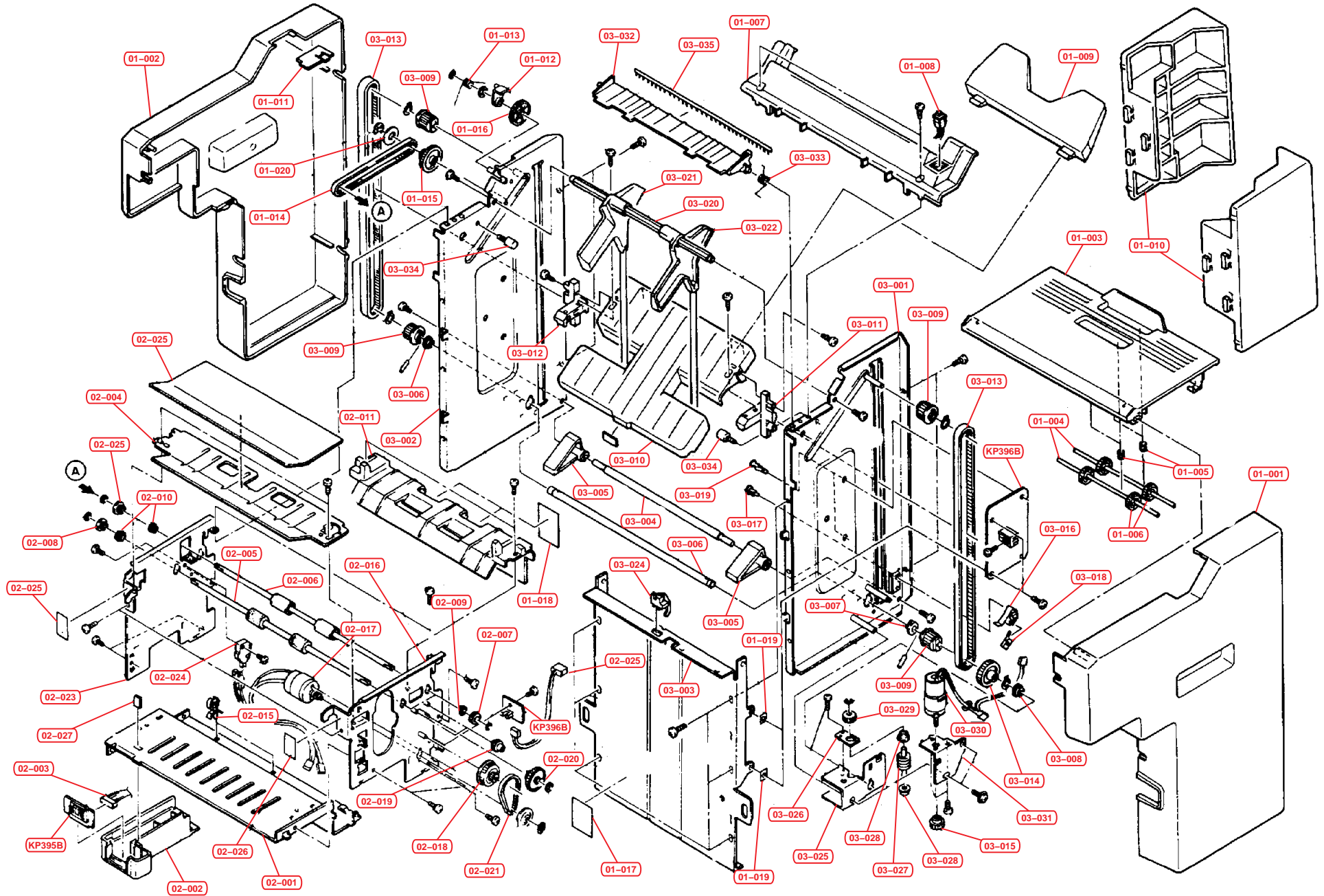
Les informations suivantes sont indiquées après chaque pièce :

|                   |  |
|-------------------|--|
| N° .....          | N° de la pièce dans l'éclaté           |
| Référence.....    | Référence de la pièce                  |
| Description ..... | Description de la pièce ( en anglais ) |

Seules les pièces en caractères GRAS peuvent être commandées.

Toutes les autres pièces sont mentionnées à titre indicatif et ne sont pas disponibles.

Fig. 1 – Vue d'ensemble



| N°            | Référence            | Description               |
|---------------|----------------------|---------------------------|
| 01-000        | HS-3                 | 500 SHEET HANDLER STACKER |
| 01-001        | VB885SW002           | COVER RIGHT               |
| 01-002        | VB885SW003           | COVER LEFT                |
| <b>01-003</b> | <b>VX874SW002</b>    | <b>LID TOP</b>            |
| 01-004        | MT733SN001           | SHAFT EXIT                |
| 01-005        | MW251LD005           | SPRING PULLEY             |
| 01-006        | VM174DB002           | PULLEY EXIT               |
| 01-007        | VX863SW005           | COVER TOP                 |
| <b>01-008</b> | <b>AYHS3***03</b>    | <b>PUSH SWITCH ASSY</b>   |
| 01-009        | VB872SW029           | TRAY BACK                 |
| 01-010        | VB876SW008           | BKT HS                    |
| 01-011        | VS432SW001           | COVER JOINT               |
| 01-012        | VX332SB016           | COVER GEAR                |
| 01-013        | MW162LJ012           | SPRING COVER              |
| <b>01-014</b> | <b>VM150RB009</b>    | <b>BELT MXL109-32</b>     |
| 01-015        | VG048DB007           | GEAR FUX Z32-P19          |
| 01-016        | VG138DB020           | GEAR ED Z30               |
| 01-017        | VVSH3J**1            | LABEL SERIAL J            |
| 01-017        | VVSHS3***1           | LABEL SERIAL              |
| 01-018        | VS631KN001           | SHEET STACK               |
| 01-019        | VS111KN002           | SEAL PWB                  |
| 01-020        | BWN92135NB           | POLY WASHER               |
| 01-022        | VM196DB003           | PLATE ENCODER             |
| 02-001        | MZ866SL002           | FRAME LOW                 |
| 02-002        | VB764SW005           | BOX PWB                   |
| 02-003        | ACCNNB3GEA           | CONN. CORD S00844         |
| 02-004        | MS866SL017           | GUIDE PAPER F             |
| 02-005        | MT875SN005           | ROLLER TRANS A            |
| 02-006        | MT875SN006           | ROLLER EXIT               |
| 02-007        | VG127DB029           | GEAR Z14                  |
| 02-008        | VG327DB003           | PULLEY P17                |
| 02-009        | MM176CJ005           | BUSHING SBK               |
| 02-010        | VM176DB006           | BUSHING POM               |
| 02-011        | VL866SW001           | GUIDE PAPER R             |
| 02-015        | VX431NN001           | SPACING CLIP              |
| 02-016        | MX777SL001           | FRAME RIGHT               |
| <b>02-017</b> | <b>AYHS3***02</b>    | <b>TRNS MOTOR ASSY</b>    |
| 02-018        | VG368DB001           | GEAR Z28-P56              |
| 02-019        | VG127DB030           | GEAR FEED Z14             |
| 02-020        | VG148DB018           | GEAR Z28-P56              |
| <b>02-021</b> | <b>VM150RB007</b>    | <b>BELT MOTOR Z70</b>     |
| 02-023        | MX777SL002           | FRAME LEFT                |
| <b>02-024</b> | <b>SM010234***01</b> | <b>MICRO SWITCH</b>       |
| 02-025        | ACCNNB4GEA           | CONN CORD S00845          |
| 02-025        | VG326DB001           | PULLEY MXL14              |

| N°            | Référence            | Description            |
|---------------|----------------------|------------------------|
| 02-025        | VS862KN002           | SHEET TRANSFER         |
| 02-026        | VS421KN002           | SHEET A                |
| 02-027        | VS217SF001           | SPACER BOX             |
| 03-001        | MX876SL020           | FRAME ELEVATOR R       |
| 03-002        | MX876SL007           | FRAME ELEVATOR L       |
| 03-003        | MS886SL007           | FRAME STACK            |
| 03-004        | MT865SN002           | SHAFT FOOT             |
| 03-005        | VX643SW002           | FOOT                   |
| 03-006        | MT866SN018           | SHAFT ELEVATOR         |
| 03-007        | MM176CJ003           | METAL BUSH KD          |
| 03-008        | VM122DB003           | BUSH POW               |
| 03-009        | VG318DN001           | PULLEY XL14            |
| 03-010        | VB882SW003           | TRAY ELEVATOR          |
| 03-011        | VX665DN001           | GUIDE ELEVATOR R       |
| 03-012        | VX665DN002           | GUIDE ELEVATOR L       |
| <b>03-013</b> | <b>VM190RB016</b>    | <b>BELT XL280 9.6</b>  |
| 03-014        | VG138DN018           | GEAR WHEEL H30         |
| 03-015        | VG127DN031           | GEAR MOTOR             |
| 03-016        | VX532DN001           | BKT SENSOR BOTTLE      |
| 03-017        | BRP3045QNB           | PAN HEAD RIVET         |
| <b>03-018</b> | <b>SM010235***01</b> | <b>MICRO SWITCH</b>    |
| 03-019        | VX211NN019           | LOCKING CARD SPACER    |
| 03-020        | MT865SN004           | SHAFT STAY             |
| 03-021        | AYHS3***14           | PAPER SIZE R ASSY      |
| 03-022        | AYHS3***15           | PAPER SIZE L ASSY      |
| <b>03-024</b> | <b>AXPS022GEA</b>    | <b>PT. SENSOR ASSY</b> |
| 03-025        | MU654SL001           | BKT WORM               |
| 03-026        | MS336SL008           | PLATE WORM             |
| 03-027        | VG117DN001           | GEAR WORM              |
| 03-028        | VM122DB003           | BUSH POW               |
| 03-029        | VG137DB024           | GEAR CLUTCH Z22        |
| <b>03-030</b> | <b>AYHS3***01</b>    | <b>ELEV MOTOR ASSY</b> |
| 03-031        | ML654SL002           | BKT DC MOTOR           |
| 03-032        | VX832CB006           | GUIDE CHANGE           |
| 03-033        | MW162LJ011           | SPRING GUIDE           |
| 03-034        | MT263SZ016           | PIN STUD               |
| 03-035        | VS824XF001           | DISCHARGER HS          |
| 03-036        | VS643KN001           | SEAL TRAY              |
| KP395B        | APRIFC2004AH         | PWB ASSY               |
| <b>KP396B</b> | <b>APRDVC2004AH</b>  | <b>PWB ASSY</b>        |
| <b>KP398B</b> | <b>APRSSC2002AH</b>  | <b>PWB ASSY</b>        |