



OPTIONS IMPRIMANTES

PF-2

NOMENCLATURE

18-12-1998

PF-2 Pièces détachées

Table des matières

Pièces principales (Fig.1).....	3
Sous-ensembles (1) (Fig.2).....	5
Sous-ensembles (2) (Fig.3).....	8
Câbles (Fig.4).....	11

Introduction

Les figures qui suivent représentent l'assemblage de l'imprimante ou des options, par sous-ensembles.

Les informations suivantes sont indiquées après chaque pièce :

N°	N° de la pièce dans l'éclaté
Référence.....	Référence de la pièce
Description	Description de la pièce (en anglais)

Seules les pièces en caractères GRAS peuvent être commandées.

Toutes les autres pièces sont mentionnées à titre indicatif et ne sont pas disponibles.

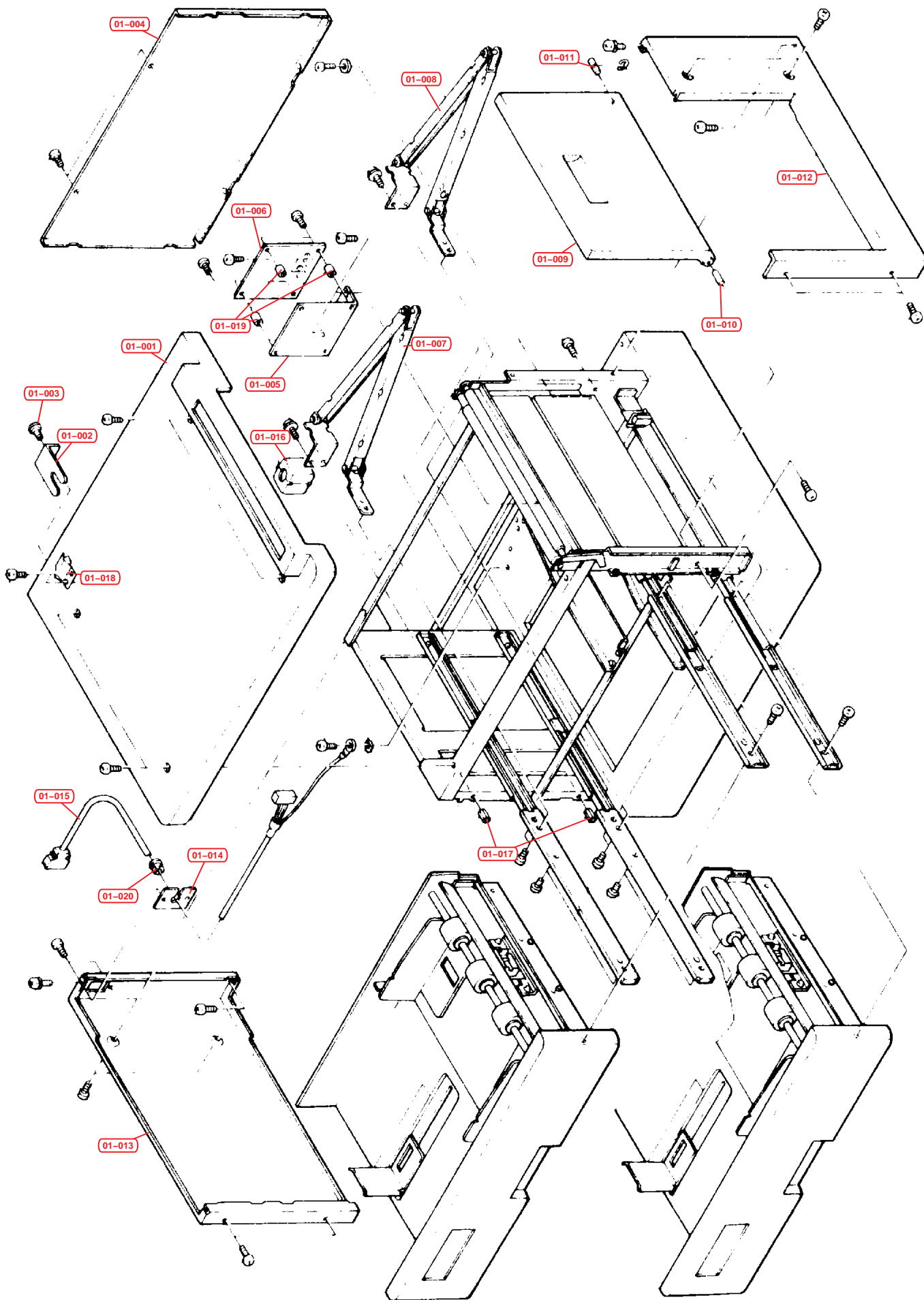


Fig.1 – Pièces principales

N°	Référence	Description
01-001	NSP0006304	TOP COVER
01-002	NSP0006306	FOOT SPACER
01-003	NSP0006309	SET SCREW
01-004	NSP0006306	REAR COVER
01-005	NSP0008342	SOARD BRACKET
01-006	NSP0006341	P.W. BOARD ASSY (MAIN)
01-007	NSP0008335	UPJOINTCORDASSY
01-008	NSP0006336	LOW JOINT CORD ASSY
01-009	NSP0008320	FEED COVER ASSY
01-010	NSP0006310	FEED COVERPINA
01-011	NSP0006311	FEED COVER PIN B
01-012	NSP0006316	RIGHT COVER
01-013	NSP0006303	LEFTCOVER
01-014	NSP0006305	BUSHING PLATE
01-015	NSP0006345	CONN CORD ASSY(I/F)
01-016	NSP0006436	FERRITE CDRE
01-017	NSP0008307	SPACERPIN
01-016	NSP0008436	FERRITE CORE
01-018	NSP0008378	EARTH PLATE
01-019	NSP0008379	SPACER COLLAR
01-020	NSP0006347	BUSHING

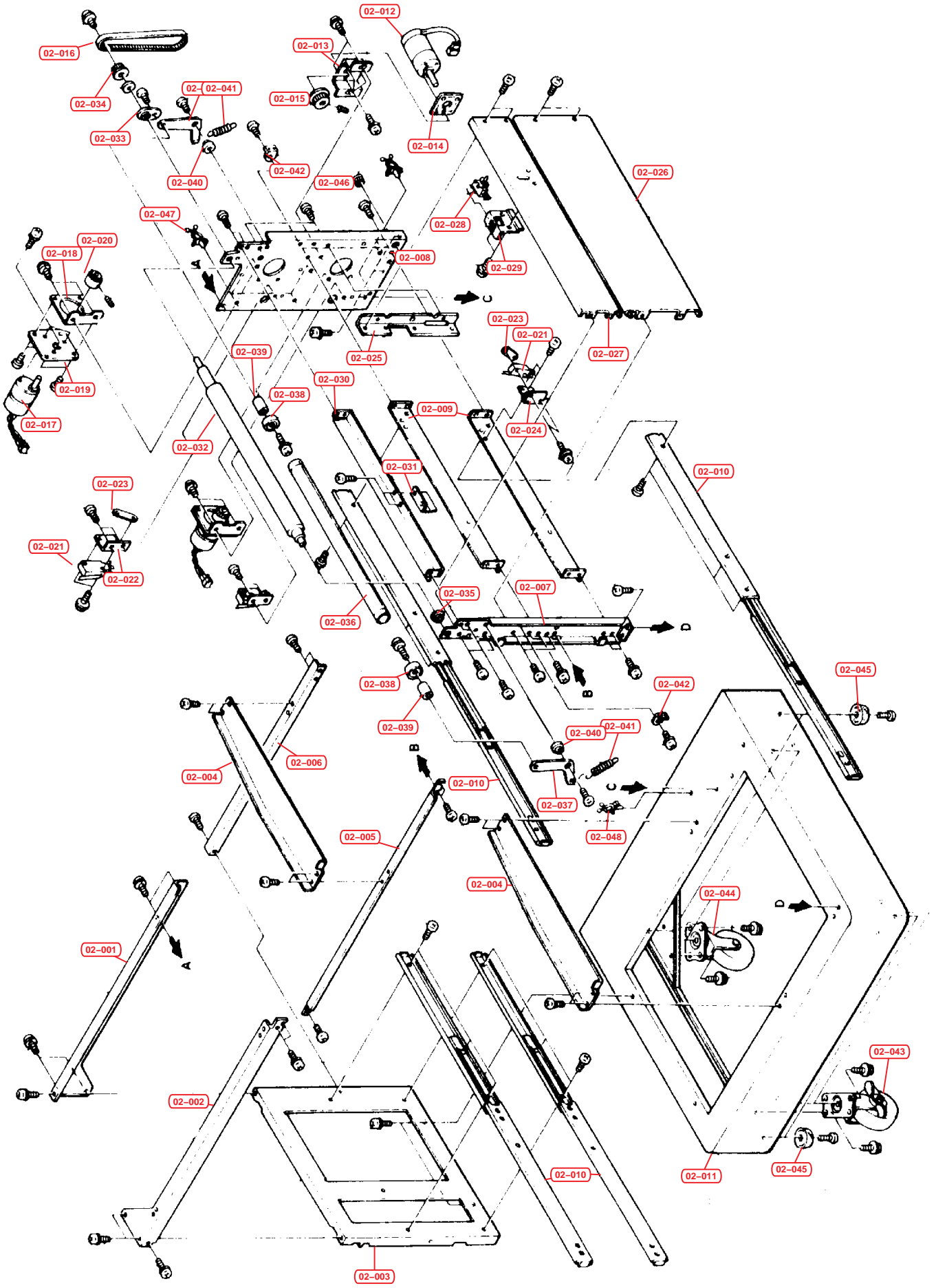


Fig.2 – Sous-ensembles (1)

N°	Référence	Description
02-001	NSP0008319	UPPER CHANNEL R
02-002	NSP0008318	UPPER CHANNEL F
02-003	NSP0008334	FRAME U FT
02-004	NSP0008317	GUIDE RAIL
02-005	NSP0008329	LOWER CHANNEL F
02-006	NSP0008330	LOWER CHANNEL R
02-007	NSP0008271	GUIDE FRAME F
02-008	NSP0008272	GUIDE FRAME R
02-009	NSP0008273	CHANNEL FRAME
02-010	NSP0008292	SUDE RAIL
02-011	NSP0008312	BASE FRAME
02-012	NSP0008297	CARRIER MOTOR ASSY
02-013	NSP0008298	CARRIER MOTOR BKT
02-014	NSP0008289	RUBBER PLATE
02-015	NSP0008300	TIMING PULLEY B
02-016	NSP0008301	TIMING BELT
02-017	NSP0008293	FEEDMOTORASSY
02-018	NSP0008294	FEED MOTOR BRACKET
02-019	NSP0008295	MOTOR PLATE
02-020	NSP0008286	MOTOR GEAR Z20B
02-021	NSP0008302	MICRO SWITCH
02-022	NSP0008331	SWITCH BRACKET
02-023	NSP0008332	SCREW PLATE
02-024	NSP0008333	COVER SW BRACKET
02-025	NSP0008274	GUIDE PLATE BRACKET
02-026	NSP0008275	GUIDE PLATE LOWER
02-027	NSP0008276	GUIDE PLATE MIDDLE
02-028	NSP0008277	PHOTO SENSOR
02-029	NSP0008278	SEN80R BRACKET B
02-030	NSF0008279	GUIDE PLATE UPPER
02-031	NSP0008280	MAGNET PLATE
02-032	NSP0008281	CARRIER ROLL LOW
02-033	NSP0006282	ROLLEUSH
02-034	NSP0008283	TIMING PULLEY ASSY**
02-035	NSP0008192	BUSH METAL
02-036	NSP0008265	CARRIER ROLL UP
02-037	NSP0006286	PRESSURE LEVER
02-038	NSP0006267	BEARING
02-039	NSP0006288	STOPPER PIN
02-040	NSP0006288	LEVER PIN
02-041	NSP0006290	PRESSURE SPRING
02-042	NSP0006291	SPRING PLATE
02-043	NSP0008313	FRONT CASTER
02-044	NSP0008314	REARCASTER
02-045	NSP0008315	FOOT

N°	Référence	Description
02-046	NSP0006360	OPEN CLOSED BUSHING
02-047	NSP0008361	CABLE HOLDER A
02-048	NSP0006382	CABLE HOLDER B

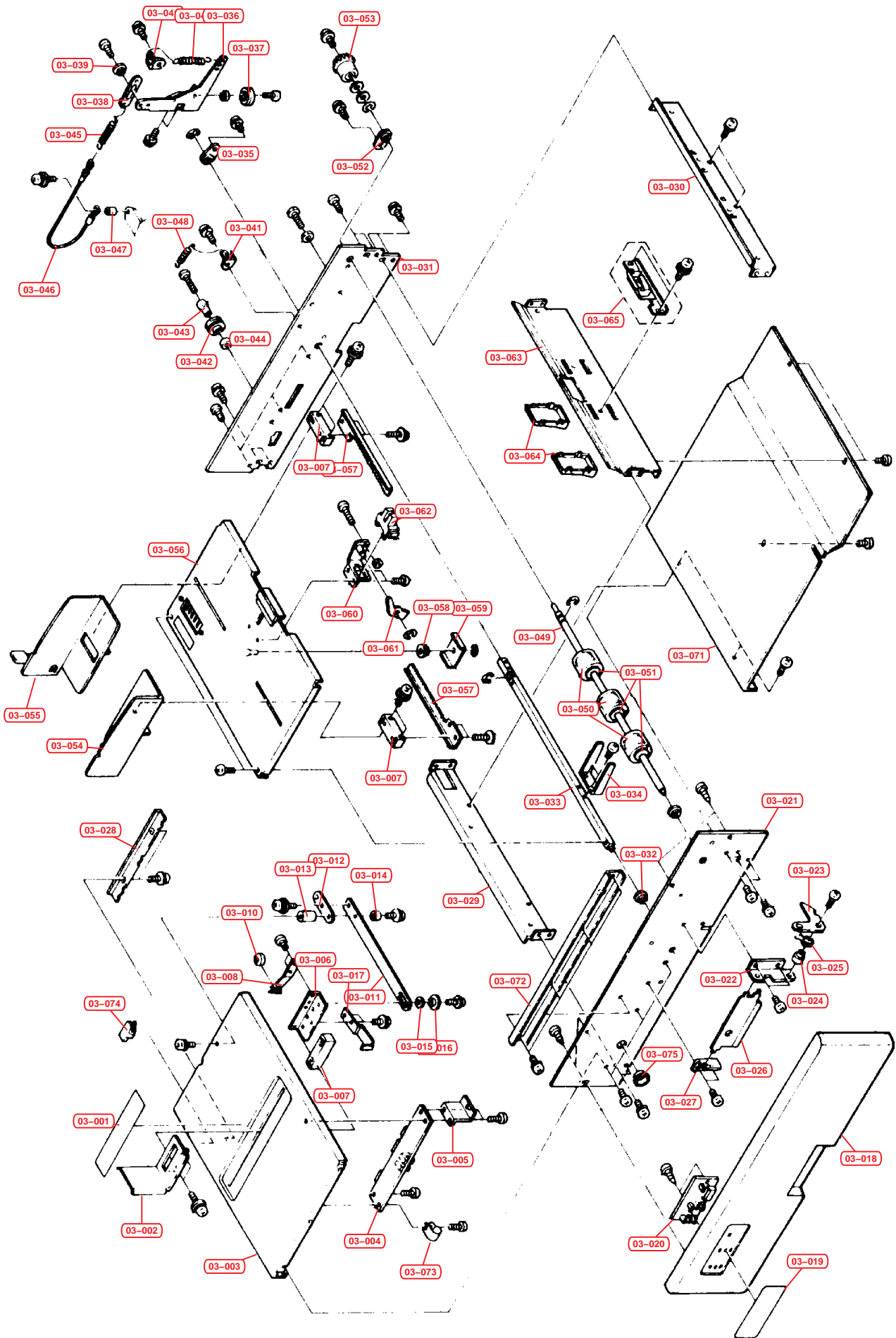


Fig.3 – Sous-ensembles (2)

N°	Référence	Description
03-001	NSP0008197	LABEL PAPER SIZE
03-002	NSP0008201	PAPER STOPPER
03-003	NSP0008196	FEED BASE
03-004	NSP0008196	PW BOARD ASSY (SENSOR)
03-005	NSP0008270	BASE SUPPORT
03-006	NSP0008196	SLIDE BRACKET
03-007	NBP0008199	SLIDE BASE
03-008	NSP0008200	FLAT SPRING
03-010	NSP0008203	ROLL STOPPER
03-011	NSF0008204	JOINT LINK
03-012	NSP0008205	ADJUST PLATE
03-013	NSP0008206	PIVOT SPACER
03-014	NSP0008207	PIVOT PIN
03-015	NSP0008206	SLIDE BRACKET PIN
03-016	NSP0008208	SLIDE COLLAR
03-017	NSP0008210	SENSOR PLATE
03-018	NSP0003336	FRONTCOVER
03-019	NSP0006339	PANEL
03-020	NSF0008340	P.W. BOARD ASSY (LED)
03-021	NSF0008191	FRAME FRONT
03-022	NSP0003259	LEVER BRACKET R
03-023	NSP0008260	HOOK PLATE
03-024	NSP0008261	HOOK PIN
03-025	NSP0008262	HOOK SPRING
03-026	NSP0003263	OPEN LEVER
03-027	NSP0003264	LEVER BRACKET L
03-028	NSP0008202	STOPPER PLATE
03-029	NSP0008195	STAY LEFT
03-030	NSP0008194	STAY RIGHT
03-031	NSP0003193	FRAME REAR
03-032	NSP0003192	BUSH METAL
03-033	NSF0008236	HINGE ROD
03-034	NSF0008237	HINGE BRACKET
03-035	NSF0008236	HINGE BUSH
03-036	NSF0003239	HINGE LEVER
03-037	NSP0003240	GUIDE ROLL
03-038	NSP0008241	SPRING PLATE
03-039	NSF0008242	SPRING PLATE PIN
03-040	NSP0006243	TENSION SPRING A
03-041	NSP0008244	ANGLE PLATE
03-042	NSP0006245	PULUEY
03-043	NSP0008246	PULUEY PIN
03-044	NSP0008247	COU AR
03-045	NSP0008248	TENSION SPRING B
03-046	NSP0008249	TENSION WIRE

N°	Référence	Description
03-047	NSP0008250	WIRE PIN
03-048	NSP0008251	TENSION SPRING C
03-049	NSP0008252	FEED ROLLSHAFT
03-050	NSP0008253	FEED ROLL
03-051	NSP0008254	WHEEL ROLL
03-052	NSP0008255	FEED BUSH
03-053	NSP0008256	FEED GEAR ASSY
03-054	NSP0008230	GUIDE PLATE F
03-055	NSP0008231	GUIDE PLATE R ASSY
03-056	NSP0008219	BOTTOM PLATE ASSY
03-057	NSP0008224	RACK
03-058	NSP0008225	GEAR Z145
03-059	NSP0008226	RACK GUIDE PLATE
03-060	NSP0008227	SENSOR BRACKET A
03-061	NSP0008226	FEED ACTUATOR
03-062	NSP0008229	PHOTO SENSOR
03-063	NSP0008211	PAPER FEED PLATE
03-064	NSP0008212	GUIDE LIB
03-065	NSP0008213	SEPARATOR ASSY
03-071	NSP0008268	BASE PLATE
03-072	NSP0008363	CHANNEL
03-073	NSP0008364	CABLE CLAMP
03-074	NSP0008385	CORD KEEP
03-075	NSP0008349	OPEN CLOSED BUSHING

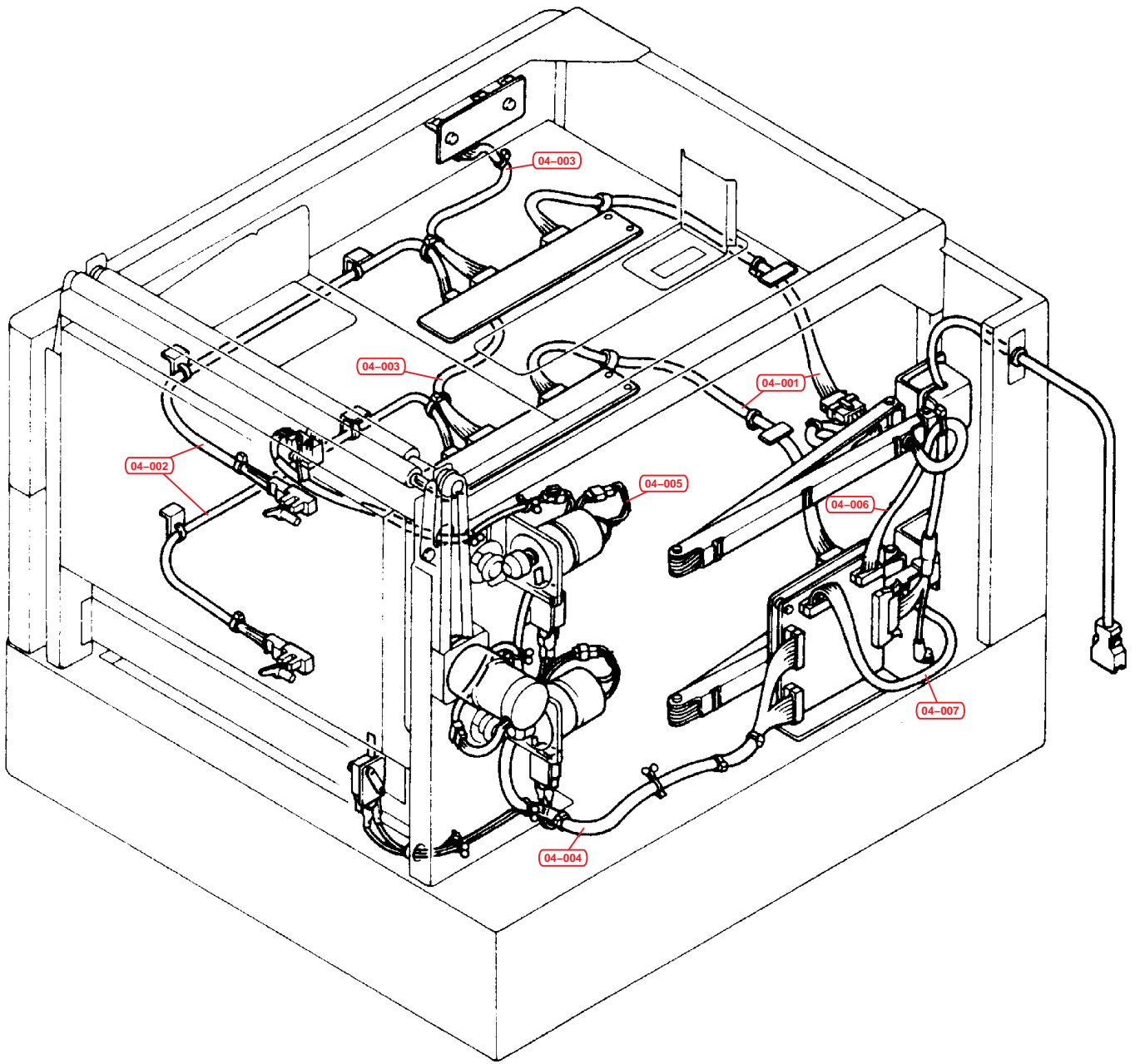


Fig.4 - Câbles

N°	Référence	Description
04-001	NSP0008266	CONN CORD ASSY(CONNECT)
04-002	NSP0008267	CONN CORD ASBY(SENSOR)
04-003	NSP0008266	CONN CORD ASSY(DISPLAY)
04-004	NSP0008343	CONN CORD ASSY(MAIN)
04-005	NSP0008344	CONN CORD ASSY(MOTOR)
04-006	NSP0008327	UPPER CORD ASSY
04-007	NSP0008328	LOWER CORD ASSY