



OPTIONS IMPRIMANTES

PF-20 / PF-20 mini

NOMENCLATURE

07-12-1998

PF-20 / PF-20 mini Pièces détachées

Table des matières

Vue d'ensemble (Fig.1)	3
Partie inférieure (Fig.2).....	5
Partie supérieure (Fig.3).....	7
Bac papier (Fig.4).....	10

Introduction

Les figures qui suivent représentent l'assemblage de l'imprimante ou des options, par sous-ensembles.

Les informations suivantes sont indiquées après chaque pièce :

N°	N° de la pièce dans l'éclaté
Référence.....	Référence de la pièce
Description	Description de la pièce (en anglais)

Seules les pièces en caractères GRAS peuvent être commandées.

Toutes les autres pièces sont mentionnées à titre indicatif et ne sont pas disponibles.

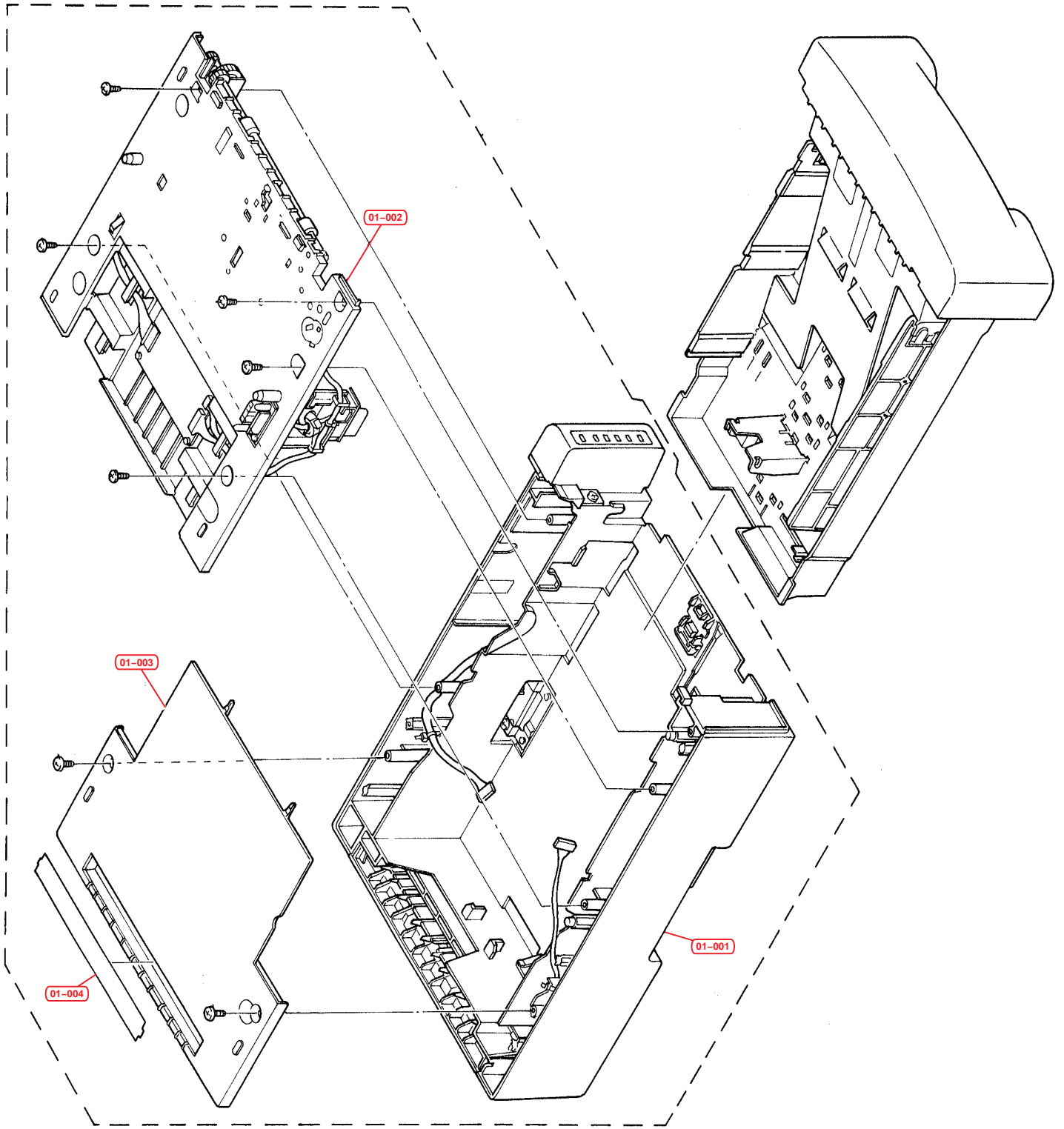


Fig.1 - Vue d'ensemble

N°	Référence	Description
01-001	NSP0009958	Base Assy (PF-20)
01-001	NSP0009982	Base Assy (PF-20 mini)
01-002	NSP0009956	Cover Top Assy
01-003	NSP0008775	Cover Top Rear (PF-20)
01-003	NSP0009988	Cover Top Rear (PF-20 mini)
01-004	NSP0008776	Sheet Cover (PF-20 Only)

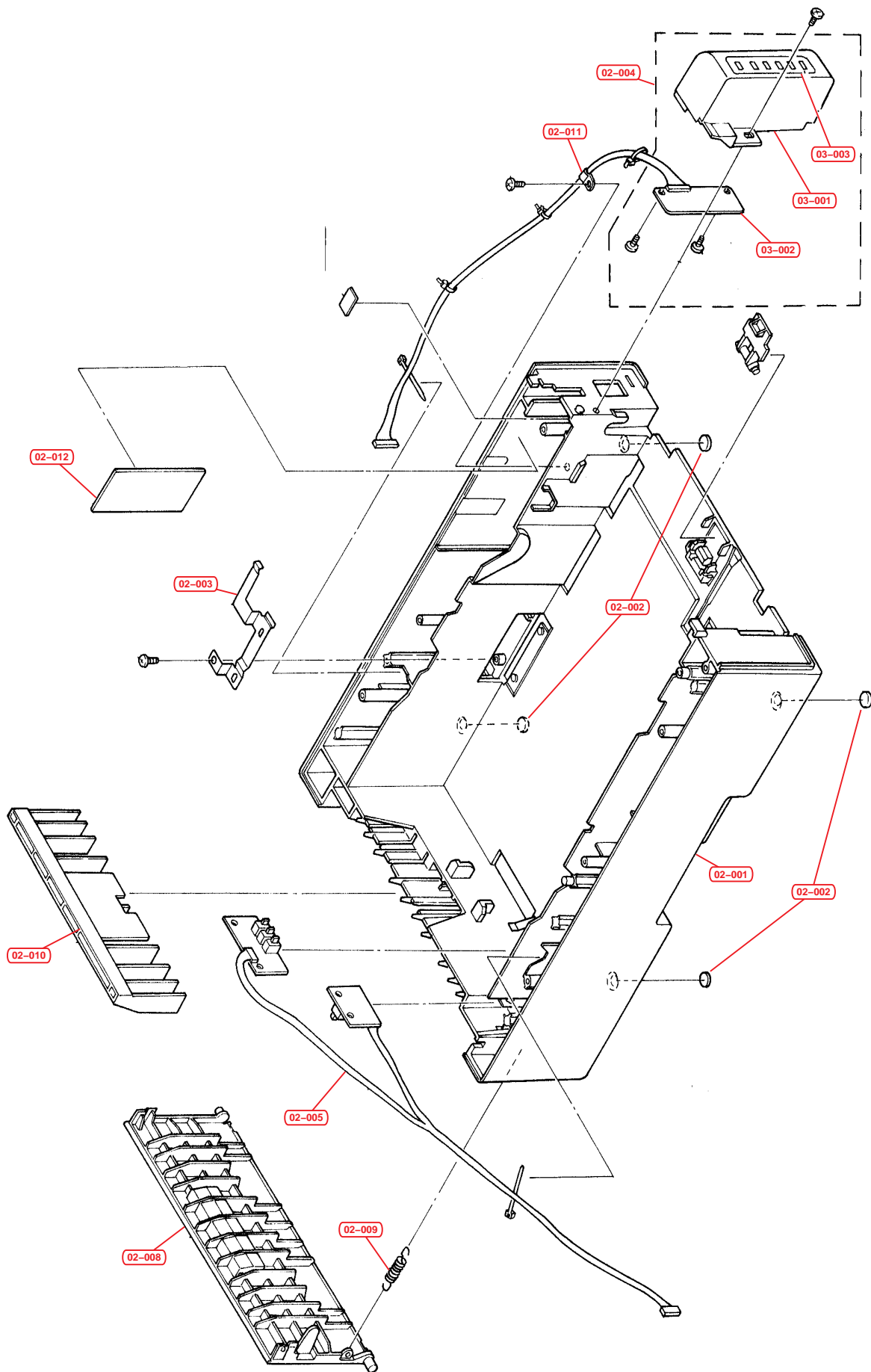


Fig.2 - Partie inférieure

N°	Référence	Description
02-001	NSP0008687	Base (PF-20)
02-001	NSP0009983	Base (PF-20 mini)
02-002	NSP0008688	Foot
02-003	NSP0008689	Plate Earth Cassette
02-004	NSP0009959	Cover Panel Assy (PF-20)
02-004	NSP0009985	Cover Panel Assy (PF-20 mini)
02-005	NSP0008694	Switch Assy (PF-20)
02-005	NSP0009998	Switch Assy (PF-20 mini)
02-008	NSP0008697	Cover Rear (PF-20 only)
02-009	NSP0008698	Spring Cover Rear (PF-20 only)
02-010	NSP0008699	Guide Slide (PF-20 only)
02-011	VX211NN024	Nylon Clamp (PF-20)
02-011	VX211NN024	Nylon Clamp (PF-20 mini)
02-012	VVSPF20**1	Serial No. Plate (PF-20)
02-012	VVSPF20MN1	Serial No. Plate (PF-20 mini)
03-001	NSP0009960	Cover Panel
03-002	NSP0009948	PWB Panel Assy (PF-20)
03-002	NSP0009986	PWB Panel Assy (PF-20 mini)
03-003	NSP0009949	Sheet Panel (PF-20)
03-003	NSP0009987	Sheet Panel (PF-20 mini)

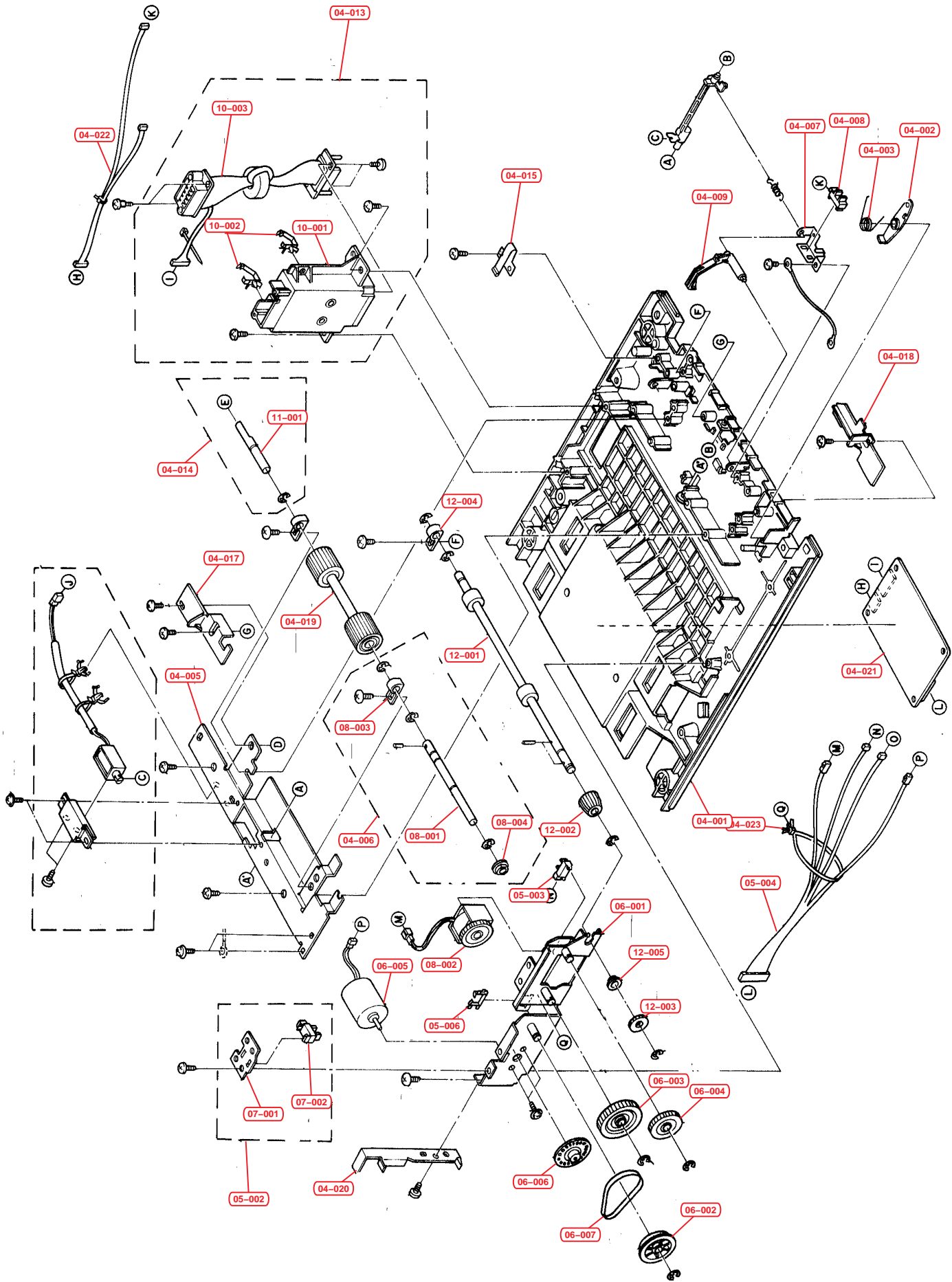


Fig.3 – Partie supérieure

N°	Référence	Description
01-002	NSP0009956	Cover Top Assy
04-001	NSP0009607	Cover Top N (PF-20)
04-001	NSP0009992	Cover Top N (PF-20 mini)
04-002	NSP0008702	Level Sens PA-1 (PF-20)
04-002	NSP0009609	Level Sens PA-1 (PF-20 mini)
04-003	NSP0008703	Spring Level Sens
04-004	NSP0008704	Drive Unit
04-005	NSP0009612	Bracket Cover Top N
04-006	NSP0008717	Shaft Roll A Assy
04-007	NSP0008722	Bracket Sensor Feed
04-008	NSP0008715	Sensor
04-009	NSP0009604	Actuator Sensor N
04-013	NSP0008729	Connector Assy
04-014	NSP0008732	Shaft Roller Assy
04-015	NSP0008734	Stopper
04-016	NSP0008735	Roller Feed Assy
04-017	NSP0008739	Cover Front L
04-018	NSP0008740	Cover Front R
04-019	NSP0008741	Roll Pick Up Assy
04-020	NSP0008742	Plate Earth
04-021	NSP0009952	PWB Main
04-022	ACCNLZ2GEA	Conn. Cord S00702
04-023	VX717NN005	Snap Band
04-024	NSP0009957	Label Cover Top
05-001	NSP0008705	Gear Drive Assy
05-002	NSP0008713	Sensor Encoder Assy
05-003	NSP0008715	Sensor
05-004	ACCNLZ1GEA	Conn. Cord S00701
05-005	VX717NN005	Snap Band
05-006	VK121NB002	Edging Saddle
06-001	NSP0008706	Bracket Motor
06-002	SP0008707	Gear Z32
06-003	NSP0008708	Gear Z20-H56
06-004	NSP0008709	Gear H16-P56
06-005	NSP0008710	Motor Assy
06-006	NSP0008711	Pulley Encoder P16
06-007	NSP0008712	Belt Drive Z86
07-001	NSP0008714	Bracket Encoder
07-002	NSP0008715	Sensor
08-001	NSP0008718	Shaft Roll A
08-002	NSP0008721	Clutch Feed Drive
08-003	NSP0008719	Bushing A
08-004	NSP0008720	Bushing B
10-001	NSP0008730	Holder Connector
10-002	NSP0008731	Spacer

N°	Référence	Description
10-003	ACCNLZ3GEA	Conn. Cord S00703
10-004	VX221NN028	Locking Wire Saddle
11-001	NSP0008733	Shaft Roller
12-001	NSP0008736	Roller Feed
12-002	NSP0008737	Gear Joint Z16
12-003	NSP0008738	Gear Feed Z16
12-004	NSP0008719	Bushing A
12-005	NSP0008720	Bushing B

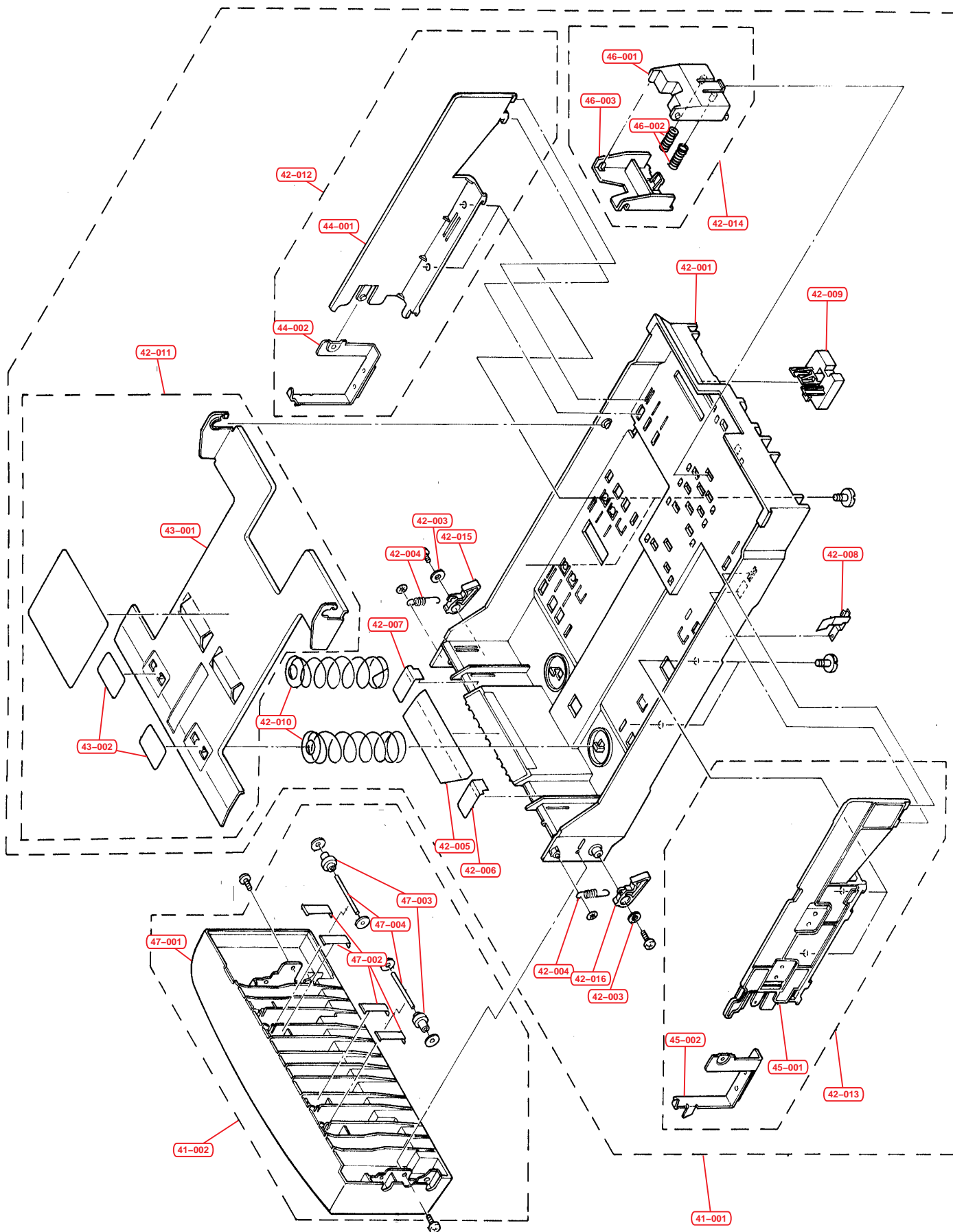


Fig.4 - Bac papier

N°	Référence	Description
41-000	PC-20	Paper Cassette (PF-20)
41-000	NSP0009996	Paper Cassette A4 (PF-20 mini)
41-001	NSP0009879	Base Cassette Assy (PF-20)
41-001	NSP0009995	Base Cassette Assy (PF-20 mini)
41-002	NSP0009950	Cover Front Assy (PF-20)
41-002	NSP0009989	Cover Front Assy (PF-20 mini)
42-001	NSP0009883	Base Cassette (PF-20)
42-001	NSP0009995	Base Cassette (PF-20 mini)
42-003	NSP0008748	Flat Washer
42-004	NSP0008749	Spring Lever Lock
42-005	NSP0008750	Sheet Guide A
42-006	NSP0009614	Sheet Guide B
42-007	NSP0009615	Sheet Guide C
42-008	NSP0008753	Plate Spring Earth
42-009	NSP0008754	Knob Size Select
42-010	NSP0009613	Spring Cassette
42-011	NSP0008756	Plate Bottom Assy
42-012	NSP0008759	Plate Side L Assy (PF-20)
42-012	NSP0009991	Plate Side L Assy (PF-20 mini)
42-013	NSP0008762	Plate Side R Assy (PF-20)
42-013	NSP0010008	Plate Side R Assy (PF-20 mini)
42-014	NSP0008766	Back End Assy
42-015	NSP0009884	Lever Lock L
42-016	NSP0009885	Lever Lock R
42-017	NSP0009881	Flap Nail L
42-018	NSP0009882	Flap Nail R
43-001	NSP0009611	Plate Bottom N
43-002	NSP0008758	Pad Friction
44-001	NSP0008760	Plate Side L (PF-20)
44-001	NSP0009992	Plate Side L (PF-20 mini)
44-002	NSP0009609	Nail LN
45-001	NSP0008763	Plate Side R (PF-20)
45-001	NSP0009994	Plate Side R (PF-20 mini)
45-002	NSP0009610	Nail RN
45-003	NSP0008765	Spring Adjust Side
46-001	NSP0008767	Back End
46-002	NSP0008768	Spring Adjust Rear
46-003	NSP0008769	Cover Back End
47-001	NSP0009951	Cover Front (PF-20)
47-001	NSP0009990	Cover Front (PF-20 mini)
47-002	NSP0008772	Sprint Tension
47-003	NSP0008773	Roller Pinch
47-004	NSP0008774	Shaft Roller Pinch