



OPTIONS IMPRIMANTES

SO-6

NOMENCLATURE

24-12-1998

SO-6 Pièces détachées

Table des matières

Vue d'ensemble (Fig.1)	3
Partie arrière (Fig.2)	6
Guide d'entrée (Fig.3).....	8
Chemin de papier supérieur (Fig.4).....	10
Sous ensembles (Fig.5).....	12
Sortie papier (Fig.6).....	14

Introduction

Les figures qui suivent représentent l'assemblage de l'imprimante ou des options, par sous-ensembles.

Les informations suivantes sont indiquées après chaque pièce :

N°	N° de la pièce dans l'éclaté
Référence.....	Référence de la pièce
Description	Description de la pièce (en anglais)

Seules les pièces en caractères GRAS peuvent être commandées.

Toutes les autres pièces sont mentionnées à titre indicatif et ne sont pas disponibles.

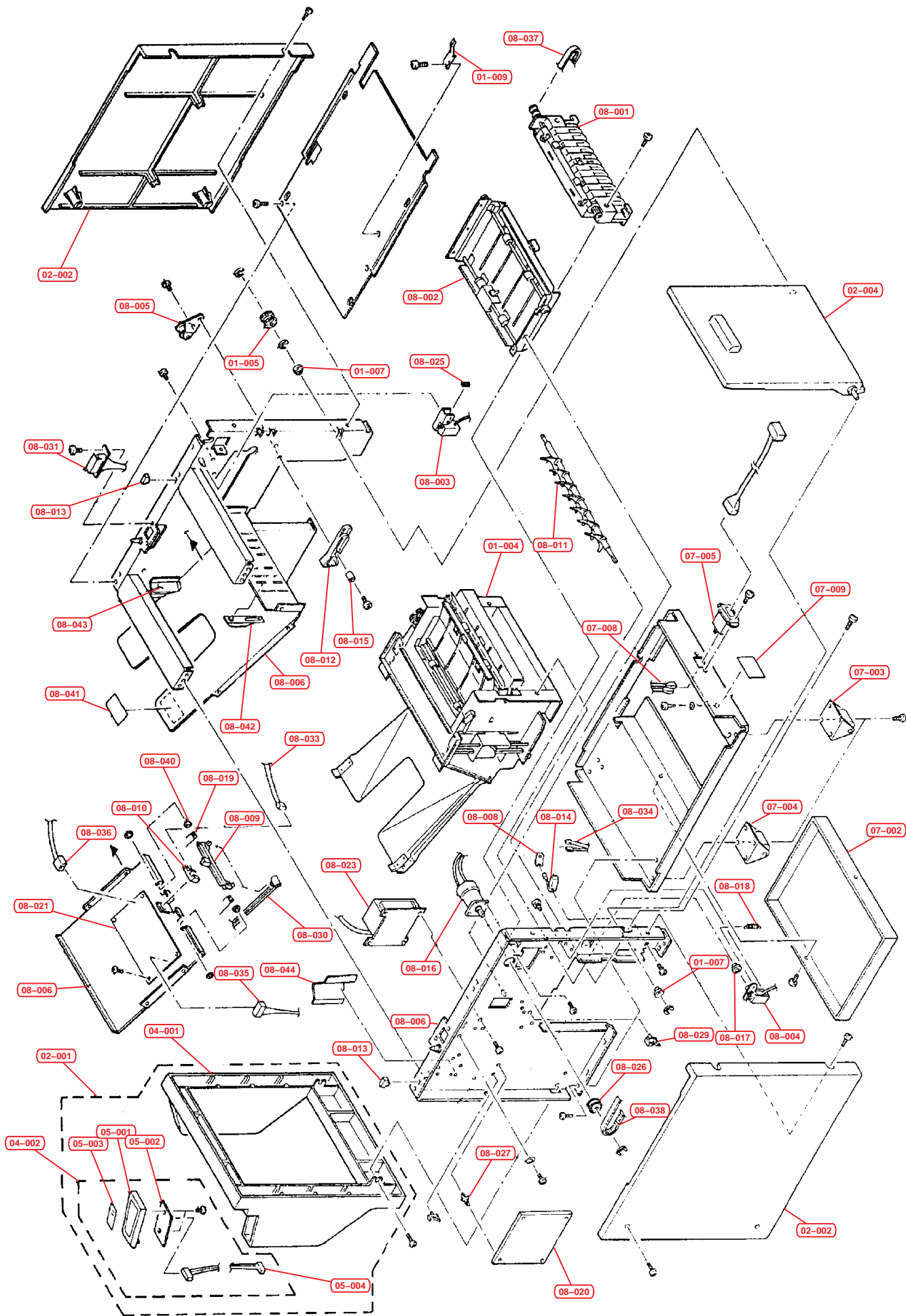


Fig.1 - Vue d'ensemble

N°	Référence	Description
01-001	NSP0009118	COVER ASSY
01-002	NSP0009521	CABINET ASSY
01-004	NSP0009121	SORTER ASSY
01-005	NSP0009099	PULLEY FEED T26 COVER
01-006	NSP0009100	BELT DRIVE T400 COVER
01-007	NSP0009101	BUSHING REAR COVER
01-009	NSP0009222	PLATE EARTH
02-001	NSP0009122	COVER FRONT ASSY
02-002	NSP0009109	COVER L/R
02-003	NSP0009110	PLATE TOP
02-004	NSP0009115	COVER REAR ASSY
04-001	NSP0009048	COVER FRONT
04-002	NSP0009111	COVER PANEL ASSY
05-001	NSP0009112	COVER PANEL
05-002	NSP0009113	PWB PANEL
05-003	NSP0009114	SHEET PANEL
05-004	NSP0009172	CONN.CORDS 00756 PWB
06-001	NSP0009522	FRAME ASSY
06-003	NSP0009523	BASE ASSY
07-001	NP0009092	BASE
07-002	NSP0009093	COVER BASK
07-003	NSP0009094	CASTER A
07-004	NSP0009081	CASTER B
07-005	NSP0009555	INLET 100V
07-007	NSP0009084	CABLE EARTH A
07-008	NSP0009184	CONN.CORD S00754
07-009	VVSSO6J**1	SER. NO. PLATE(U)
08-001	NSP0009085	GUIDE ENTER ASSY
08-002	NSP0009086	UPPER PASS ASSY
08-003	NSP0009087	SOLENOID ASSY A
08-004	NSP0009074	SOLENOID ASSY B
08-005	NSP0009194	PLATE TENSION ASSY
08-006	NSP0009075	FRAME MAIN ASSY
08-007	NSP0009076	PLATE PWB
08-008	NSP0009077	PLATE NUT
08-009	NSP0009078	ACTUATOR 1
08-010	NSP0009079	SENSOR
08-011	NSP0009067	GUIDE FLAP
08-012	NSP0009068	LEVER SAFETY
08-013	NSP0009069	HOLDER
08-014	NSP0009070	MICRO SW
08-015	NSP0009071	SPACER
08-016	NSP0009072	MOTOR FEED ASSY
08-017	NSP0009060	BUSHING FLAP
08-018	NSP0009061	SPRING SOL B

N°	Référence	Description
08-019	NSP0009062	SPRING ACTUATOR
08-020	NSP0009063	PWB CONTROLLER
08-021	NSP0009065	PWB DRIVER
08-023	NSP0009518	TRANS ASSY 100V
08-025	NSP0009047	SPRING SOL A
08-026	NSP0009055	PULLEY FEED T26 MOT.
08-027	NSP0009056	LOCKING CARD SPACER
08-029	NSP0009058	WIRE SADDLE B. WS-3NS
08-030	NSP0009079	ACTUATOR 2 ASSY
08-031	NSP0009182	CONN. CORD S00752
08-032	NSP0009183	CONN. CORD S00753
08-033	NSP0009185	CONN. CORD S00755
08-034	NSP0009173	CONN. CORD S00757
08-035	NSP0009174	CONN. CORD S00758
08-036	NSP0009175	CONN. CORD S00759
08-037	NSP0009059	BELT DRIVE T 400
08-038	NSP0009046	BELT DRIVE T 67
08-039	NSP0009047	SPRING SOL A
08-040	NSP0009097	BUSHING FLANGE
08-041	VVL761WN31	LABEL CAUTION TRAY
08-042	NSP0009619	SUPPORT PAPER
08-043	NSP0009621	GUIDE PAPER L
08-044	NSP0009620	GUIDE PAPER R
09-001	NSP0009195	SOLENOID A KEEP
09-002	NSP0009196	CHANGE PASS LEVER
10-001	NSP0009049	SOLENOID B. LATCH
10-002	NSP0009050	ARM PATH CHANGE

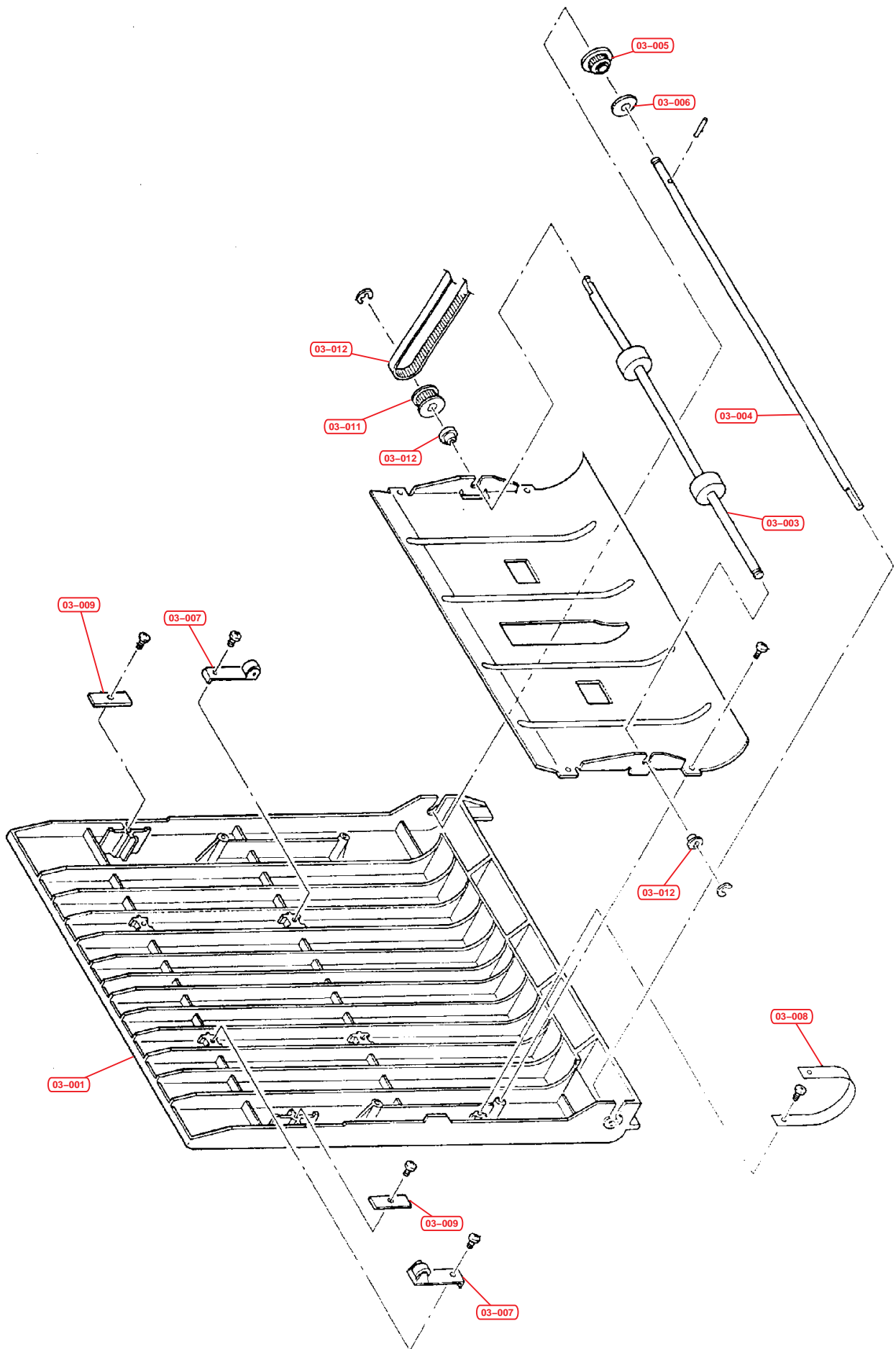


Fig.2 - Partie arrière

N°	Référence	Description
03-001	NSP0009102	COVER REAR
03-002	NSP0009103	GUIDE PAPER REAR
03-003	NSP0009104	ROLL FEED REAR
03-004	NSP0009105	SHAFT DRIVE REAR
03-005	NSP0009106	PULLEY CLUTCH T26
03-006	NSP0009107	FLANGE PULLEY A
03-007	NSP0009625	PINCH ROLLER ASSY 2
03-008	NSP0009095	STAY COVER REAR
03-009	NSP0009096	PLATE MAGNET
03-010	NSP0009097	BUSHING FLANGE
03-011	NSP0009099	PULLEY FEED T26
03-012	NSP0009098	BELT FEED T140

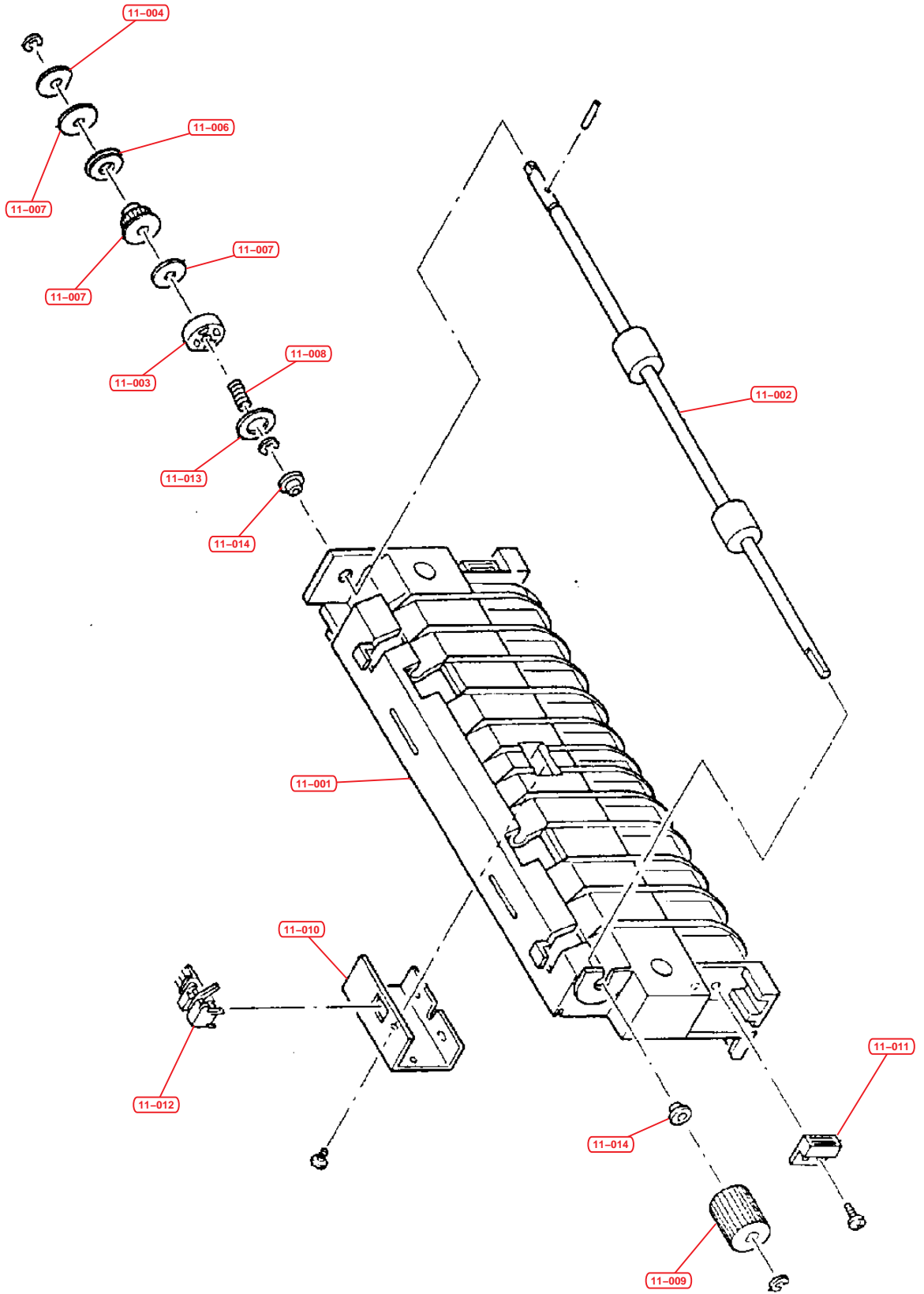


Fig.3 – Guide d'entrée

N°	Référence	Description
11-001	NSP0009051	GUIDE ENTER
11-002	NSP0009052	ROLL REAR ENT
11-003	NSP0009039	DISC DRIVE A
11-004	NSP0009040	DISC DRIVE B
11-005	NSP0009106	PULLEY CLUTCH T26
11-006	NSP0009107	FLANGE PULLEY A
11-007	NSP0009041	DISC CLUTCH
11-008	NSP0009042	SPRING PLUNGER
11-009	NSP0009043	GEAR Z20
11-010	NSP0009044	BKT PASS SENSOR
11-011	NSP0009073	MAGNET CATCH
11-012	NSP0009045	SENSOR FEED
11-013	NSP0009032	SPACER CLUTCH
11-014	NSP0009097	BUSHING FLANGE
11-015	NSP0009177	CONN. CORD S00761

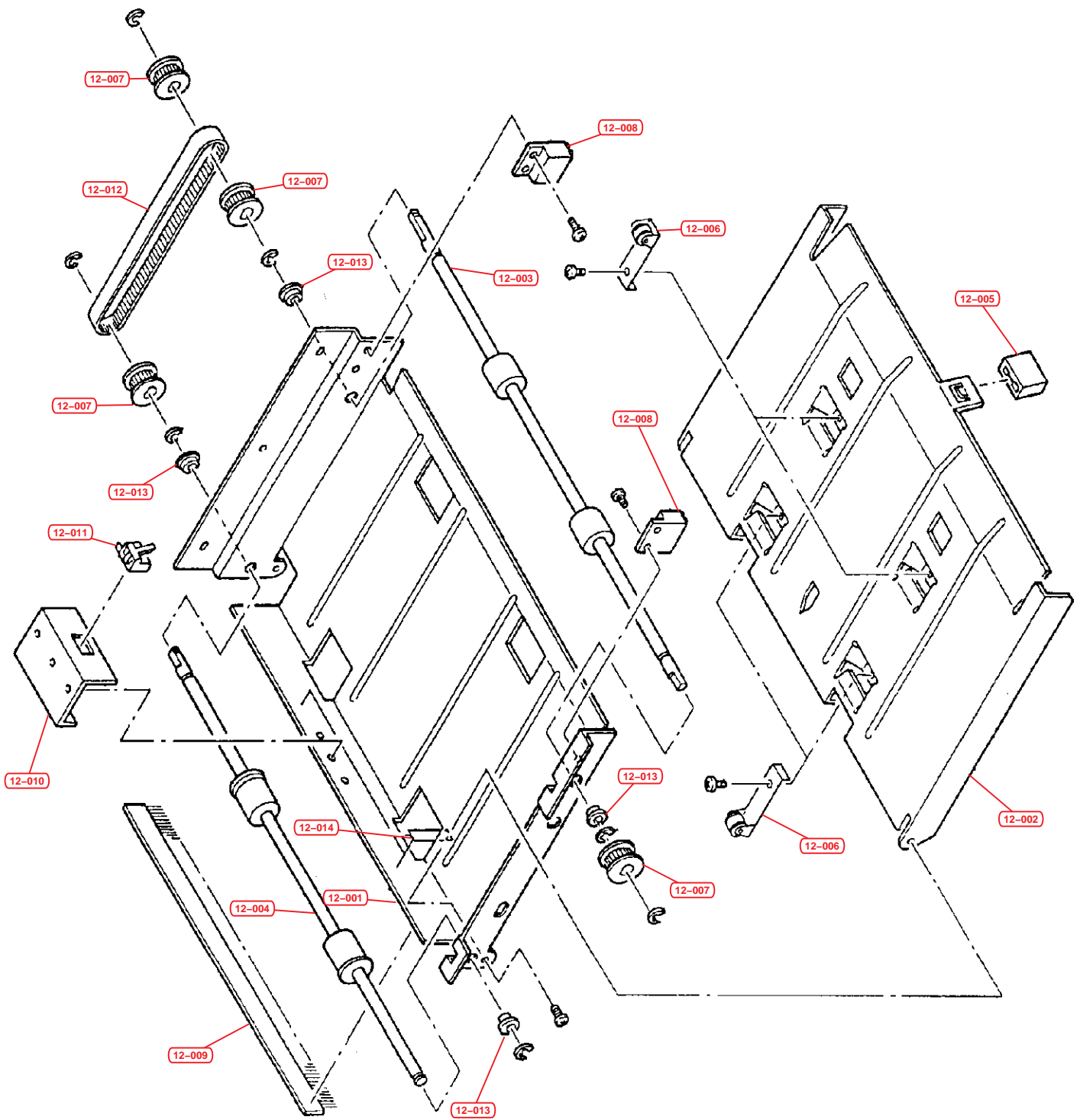


Fig.4 – Chemin de papier supérieur

N°	Référence	Description
12-001	NSP0009033	GUIDE PATH UPPER
12-002	NSP0009034	GUIDE PATH LOWER
12-003	NSP0009035	ROLL PASS UP ENT
12-004	NSP0009036	ROLL PASS UP EXIT
12-005	NSP0009037	KNOB
12-006	NSP0009108	PINCH ROLLER ASSY
12-007	NSP0009055	PULLEY FEED T26
12-008	NSP0009073	MAGNET CATCH
12-009	NSP0009038	BRUSH DISCHARGE STK
12-010	NSP0009044	BKT PASS SENSOR
12-011	NSP0009045	SENSOR FEED
12-012	NSP0009098	BELT FEED T140
12-013	NSP0009097	BUSHING FLANGE
12-014	NSP0009622	SHEET EXIT UP

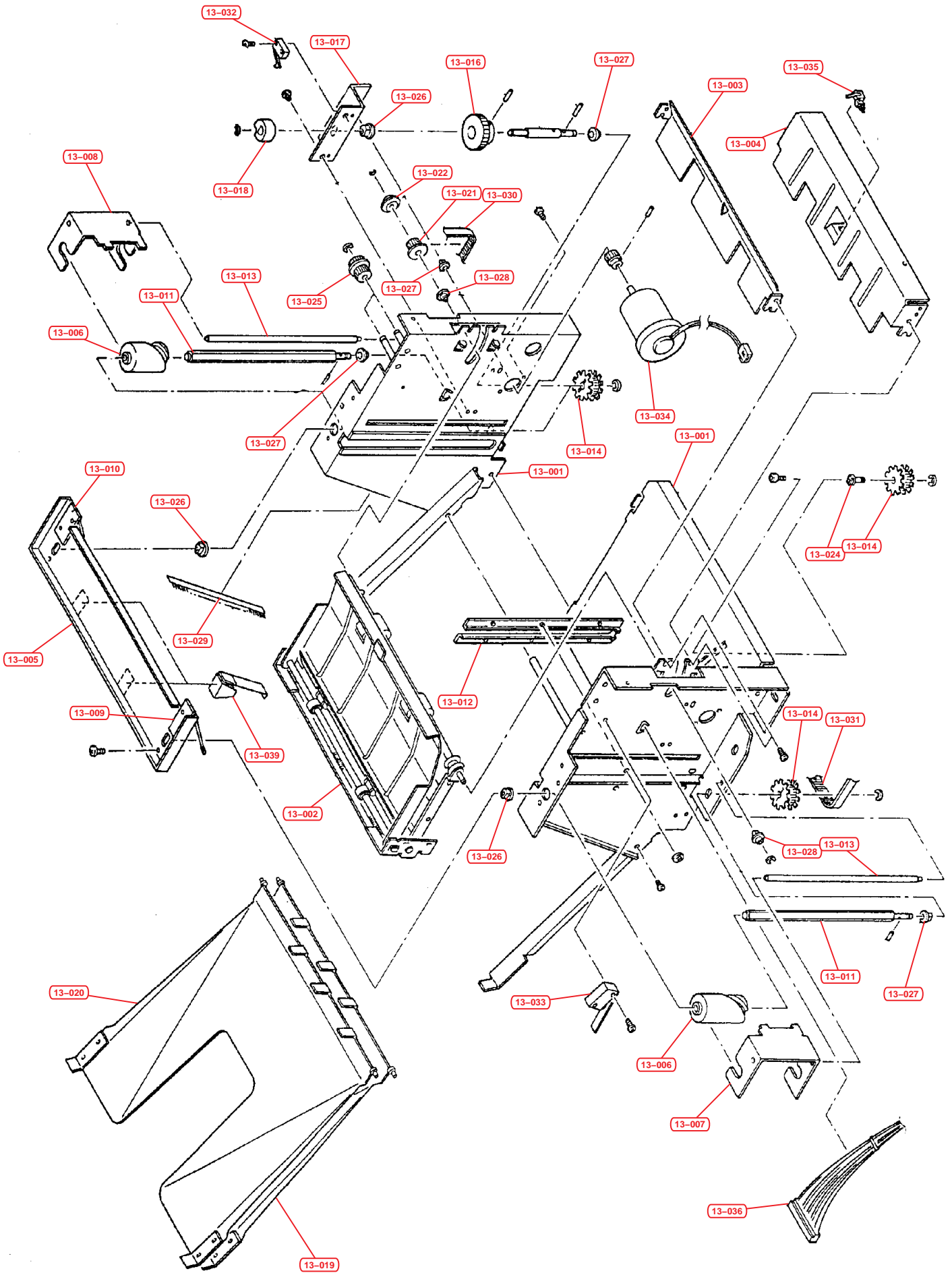


Fig.5 - Sous ensembles

N°	Référence	Description
13-001	NSP0009123	STR FRAME ASSY
13-002	NSP0009124	SORTING PASS ASSY
13-003	NSP0009125	GUIDE STR ENT UP
13-004	NSP0009126	GUIDE STR ENT LO
13-005	NSP0009127	TIE PLATE
13-006	NSP0009128	SCREW
13-007	NSP0009129	GUIDE SCREW R
13-008	NSP0009130	GUIDE SCREW L
13-009	NSP0009132	PLATE SPRING R
13-010	NSP0009131	PLATE SPRING L
13-011	NSP0009133	SPLINE
13-012	NSP0009134	SLOT LINER
13-013	NSP0009135	SHAFT SLIDE
13-014	NSP0009136	PULLEY BIN DRIVE T20
13-016	NSP0009138	WORM WHEEL
13-017	NSP0009139	BKT SENSOR CAM
13-018	NSP0009140	SENSOR CAM
13-019	NSP0009141	TRAY A
13-020	NSP0009142	TRAY B
13-021	NSP0009143	PULLEY SLIP T28
13-022	NSP0009144	FLANGE PULLEY B
13-024	NSP0009146	SHAFT TENSION
13-025	NSP0009147	GEAR IDLE Z28-T32
13-026	NSP0009148	BUSHING B
13-027	NSP0009149	BUSHING A
13-028	NSP0009150	BUSHING DRIVE
13-029	NSP0009151	BRUSH DISCHARGE TRY
13-030	NSP0009152	BELT FLAT
13-031	NSP0009153	BELT BIN DRIVE T400
13-032	NSP0009154	SW CAM SENS
13-033	NSP0009155	SW LIMIT TOP
13-034	NSP0009156	BIN MOTOR ASSY
13-035	NSP0009045	SENSOR FEED
13-036	NSP0009176	CONN. CORD S00760
13-037	NSP0009223	TRAY TOP
13-038	NSP0009224	TRAY BOTTOM
13-039	NSP0009623	BIN PRESS ASSY

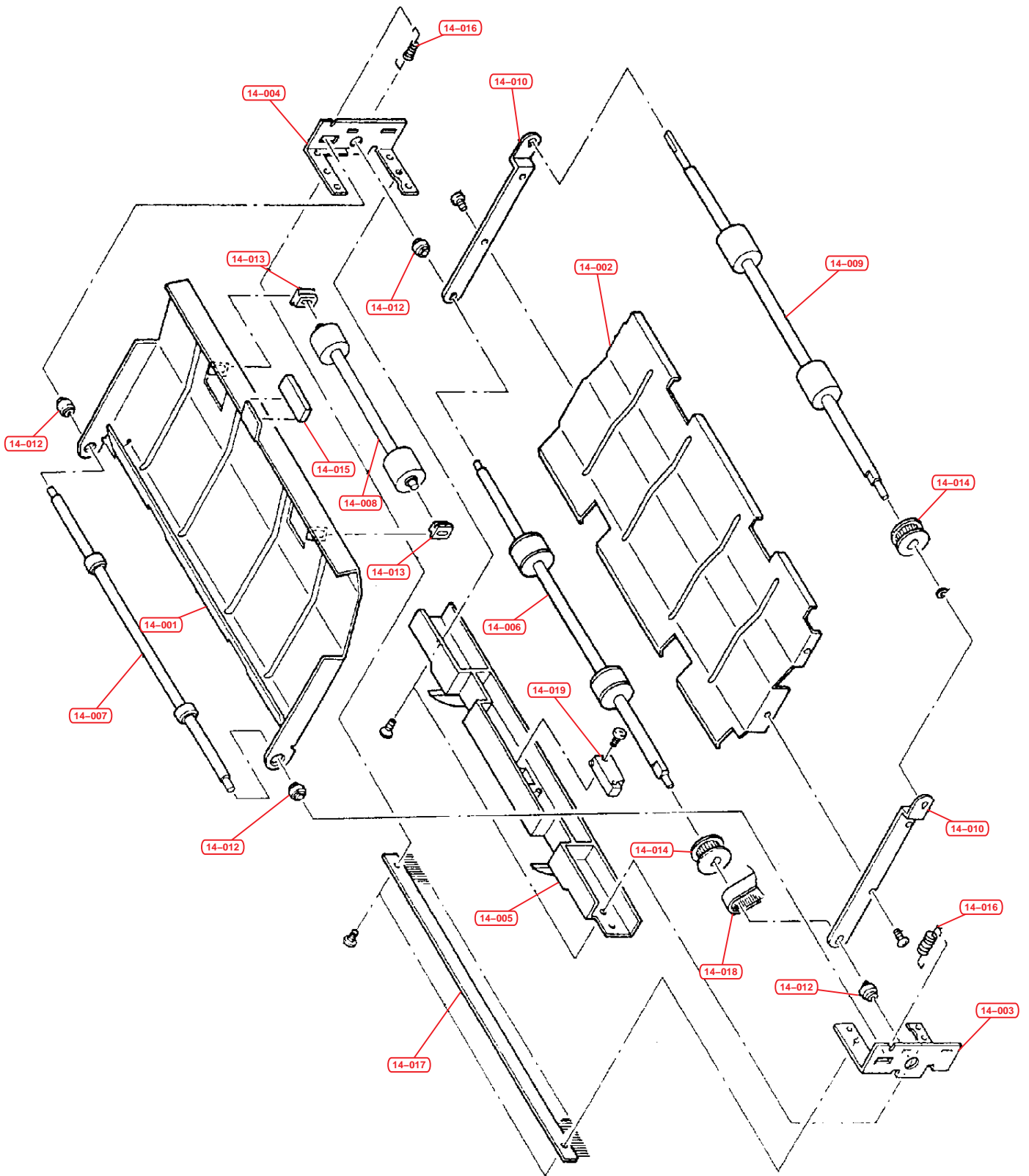


Fig.6 - Sortie papier

N°	Référence	Description
14-001	NSP0009159	UPPER GUIDE STR
14-002	NSP0009158	LOWER GUIDE STR
14-003	NSP0009160	00000BKT SCREW GUIDE L
14-004	NSP0009161	BKT SCREW GUIDE R
14-005	NSP0009162	FRAME STR EXIT
14-006	NSP0009163	ROLL STR EXIT DRIVE
14-007	NSP0009164	ROLL STR EXIT
14-008	NSP0009165	ROLL STR ENT DRIVE
14-009	NSP0009166	ROLL STR ENT
14-010	NSP0009167	ARM L
14-011	NSP0009168	ARM R
14-012	NSP0009169	BUSHING ROLL DRIVE
14-013	NSP0009170	BUSHING ROLL
14-014	NSP0009171	PULLEY STR T28
14-015	NSP0009037	KNOB
14-016	NSP0009179	SPRING EJECT
14-017	NSP0009180	BRUSH DISCHARGE STR
14-018	NSP0009098	BELT FEED T140
14-019	NSP0009181	SENSOR EMPTY