

Parts Breakdown

1000 and 1100 Color Jetprinter™

4096-00X

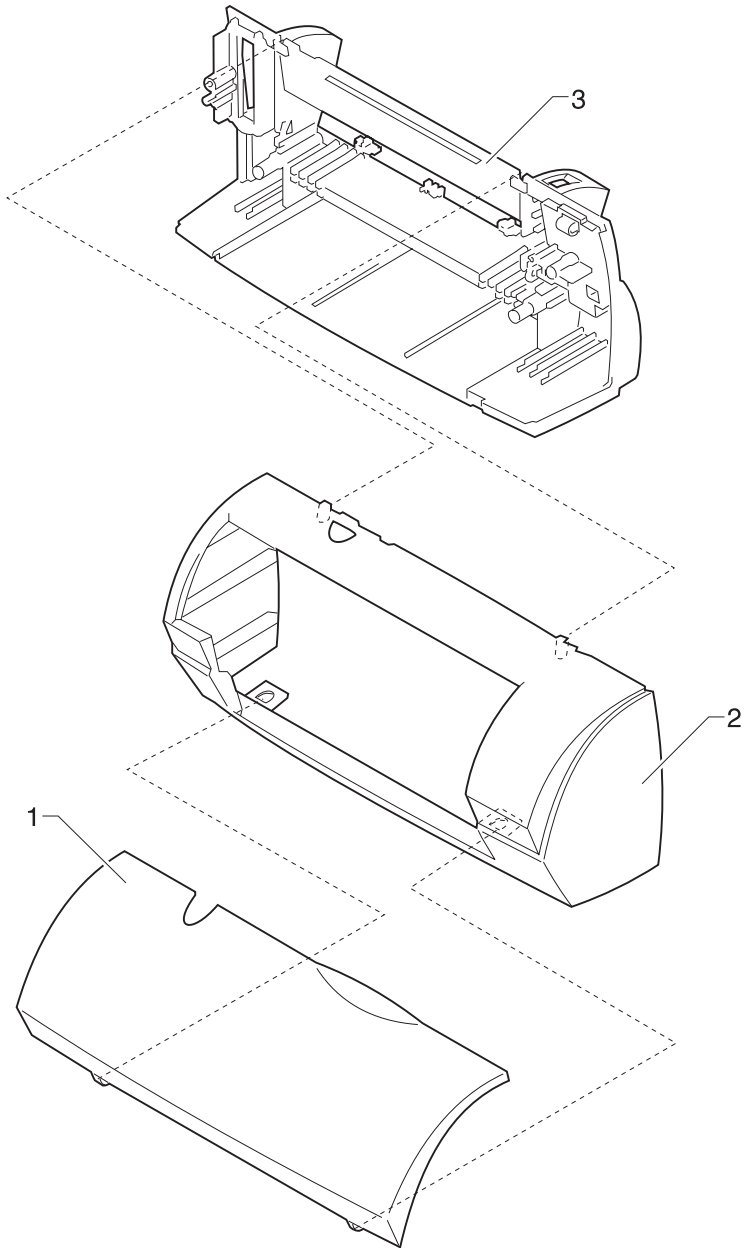
Extracted From Service Manual



LEXMARK™

Passion for printing ideas.™

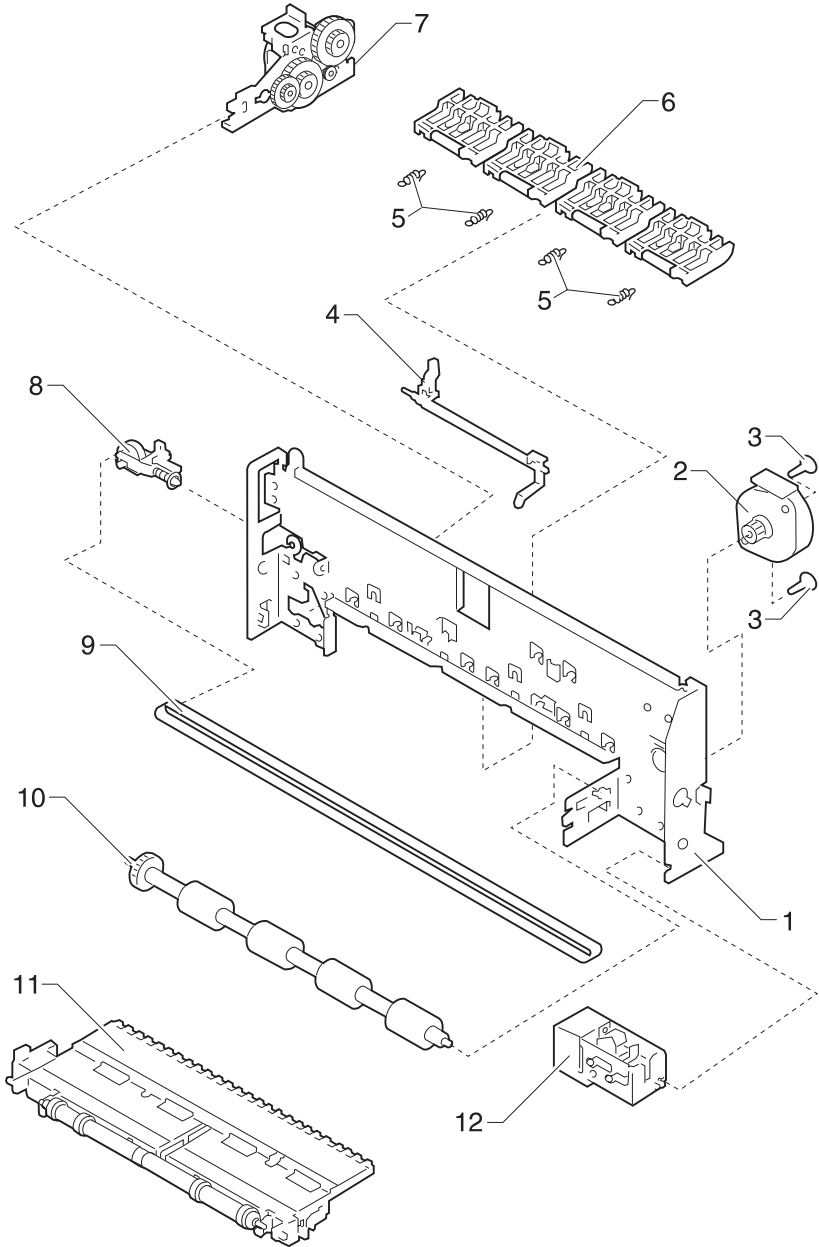
Assembly 1: Covers



4096-00X

Asm-Index	Part Number	Units	Description
1 -1	11B5128	1	Cover, Access Asm, Star Wheels (002)
-1	11B5129	1	Cover, Access Asm, Star Wheels (001)
-1	17Z0177	1	Cover, Access Asm, Star Wheels (003)
-1	17Z0176	1	Cover, Access Asm, Star Wheels (004)
-2	11B5127	1	Cover, Front Asm & Button (001, 002)
-2	17Z0174	1	Cover, Front Asm & Button (003)
-2	17Z0175	1	Cover, Front Asm & Button (004)
-3	11B5125	1	Base Asm and Sheet Feed (001, 002)
-3	17Z0170	1	Base Asm and Sheet Feed (003)
-3	17Z0171	1	Base Asm and Sheet Feed (004)
NS	11B5111	1	Support, Banner Paper
NS	7349593	1	Replaceable Package B/M - Includes: (Carton, Cushion Set, Sealing Tape) (001, 002)
NS	7350132	1	Replaceable Package B/M - Includes: (Carton, Cushion Set, Sealing Tape) (003, 004)

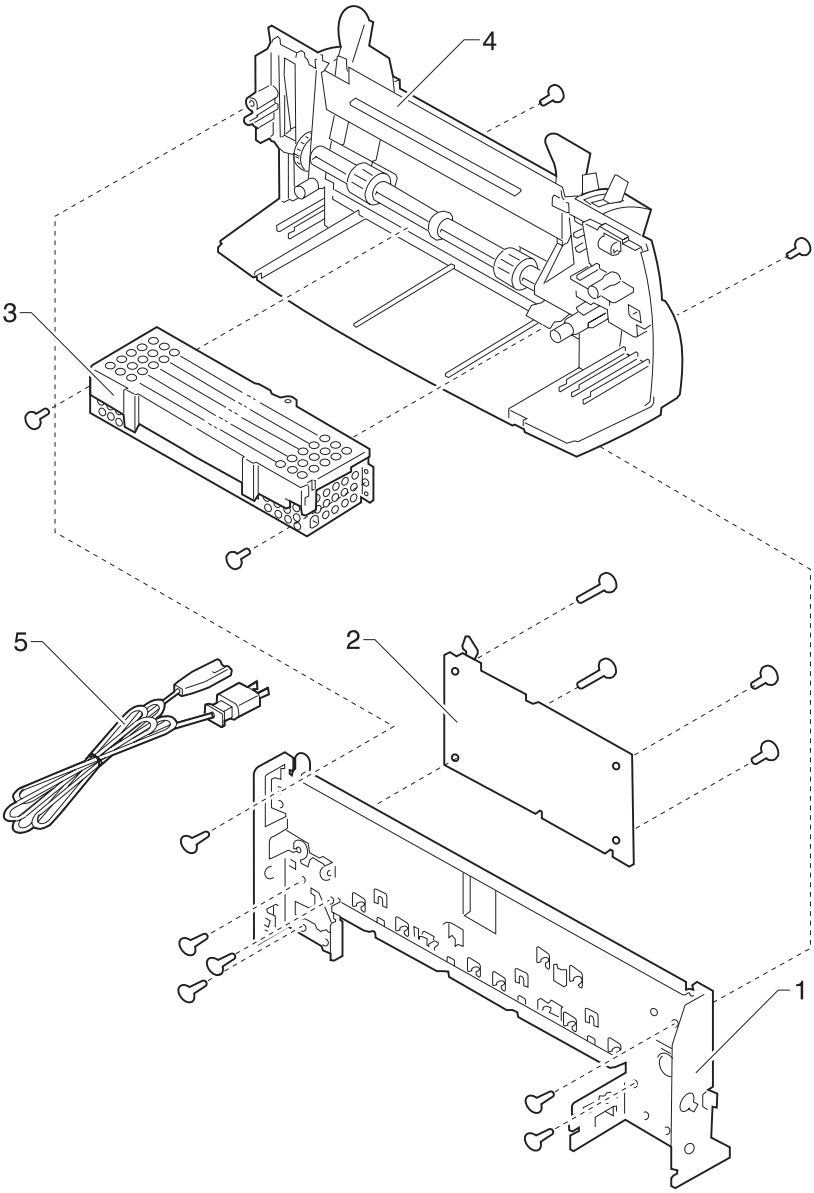
Assembly 2: Paper Feed / Carrier Transport / Maintenance



4096-00X

Asm-Index	Part Number	Units	Description
2 -1	11B5130	1	Frame, Carrier
-2	11B5142	1	Motor, Carrier Transport Assembly
-3	11B5144	1	Screw, (PP)
-4	11B5136	1	End-of-Form Flag and Spring
-5	11B5144	1	Spring, Small Feed Roll Asm, (PP)
-6	11B5135	1	Feed Roll Assembly, Small
-7	11B5137	1	Drive Train Assembly with Paper Feed Motor
-8	11B5144	1	Arm, Tensioner (PP)
-9	11B5144	1	Belt, Carrier (PP)
-10	11B5134	1	Feed Roll Assembly, Large with Gear
-11	11B5133	1	Frame, Mid Assembly
-12	11B5143	1	Maintenance Assembly
-NS	11B5144	6	Screw, (PP)

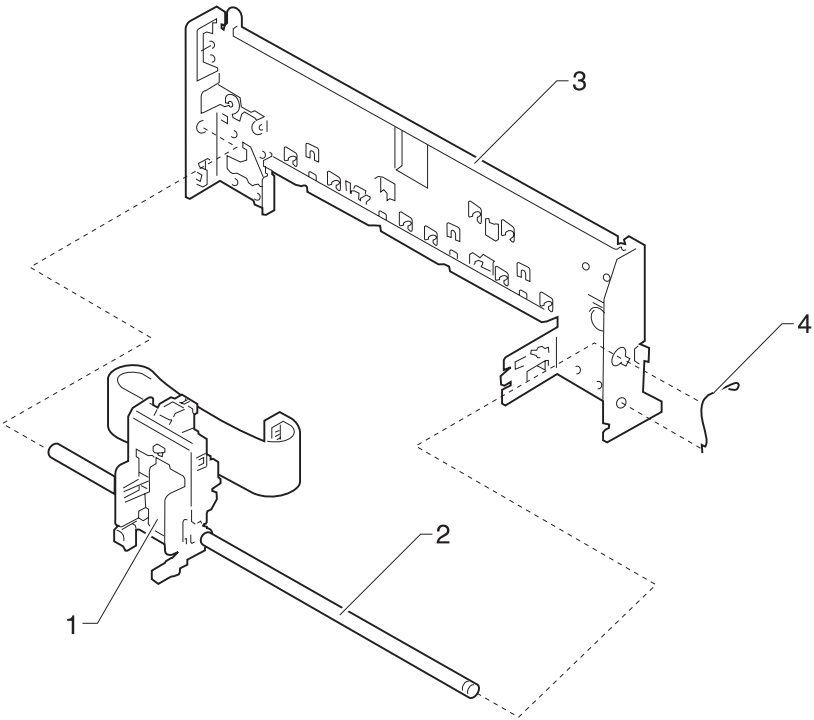
Assembly 3: Electronics



4096-00X

Asm-Index	Part Number	Units	Description
3 -1	11B5130	1	Frame, Carrier
-2	11B5138	1	System Board with ROM (LV) (001, 002)
-2	11B6044	1	System Board with ROM (HV) (001, 002)
-2	17Z0180	1	System Board with ROM (LV & HV) (003, 004)
-3	11B5139	1	Power Supply: 110V
-3	11B5140	1	Power Supply: 220V
-4	11B5125	1	Base Asm and Sheet Feed (001, 002)
-5	11B5141	1	Power Cord, U.S.
	11B5624		Power Cord, Austria
	11B5622		Power Cord, Belgium
	11B5624		Power Cord, Brazil
	11B5624		Power Cord, Canada
	11B5622		Power Cord, Chile
	11B5622		Power Cord, Cyrillic
	11B5622		Power Cord, Denmark
	11B5622		Power Cord, East Turkey
	11B5622		Power Cord, Europe
	11B5622		Power Cord, Finland
	11B5622		Power Cord, France
	11B5622		Power Cord, Germany
	11B5622		Power Cord, Greece
	11B5623		Power Cord, Israel
	11B5622		Power Cord, Italy
	11B5141		Power Cord, Japan
	11B5622		Power Cord, Mexico
	11B5622		Power Cord, Netherlands
	11B5622		Power Cord, Norway
	11B5626		Power Cord, Peru
	11B5622		Power Cord, Portugal
	11B5625		Power Cord, South Africa
	11B5622		Power Cord, Spain
	11B5622		Power Cord, Sweden
	11B5621		Power Cord, UK, Ireland

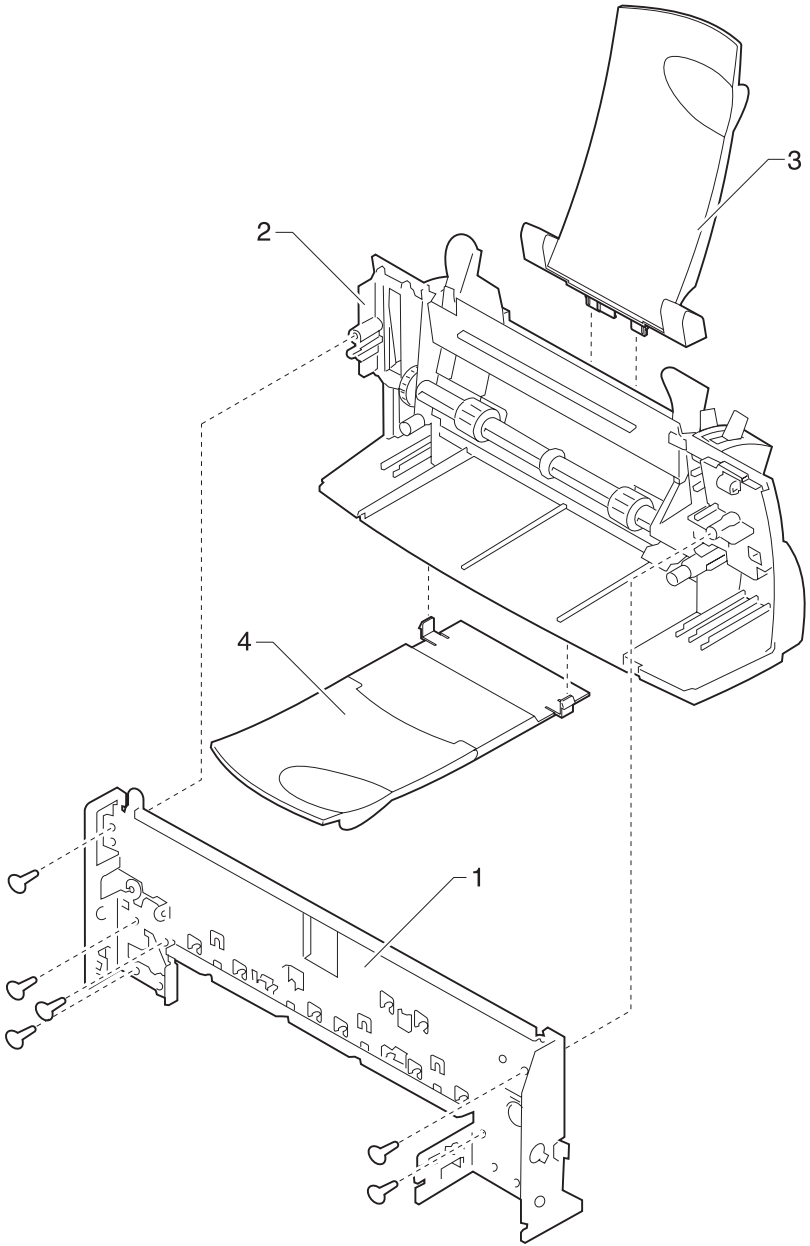
Assembly 4: Carrier



4096-00X

Asm-Index	Part Number	Units	Description
4 -1	11B5131	1	Carrier Assembly, with Carrier Home Sensor
-2	11B5132	1	Rod, Carrier Guide
-3	11B5130	1	Frame, Carrier
-4	11B5144	1	Spring, Carrier Guide Rod (PP)

Assembly 5: Sheet Feeder



4096-00X

Asm-Index	Part Number	Units	Description
5 -1	11B5130	1	Frame, Carrier
-2	11B5125	1	Base, Sheet Feeder Asm and Garage Assembly (001, 002)
-2	17Z0170	1	Base, Sheet Feeder Asm and Garage Assembly (003)
-2	17Z0171	1	Base, Sheet Feeder Asm and Garage Assembly (004)
-3	11B5126	1	Support, Upper Paper (001, 002)
-3	17Z0172	1	Support, Upper Paper (003)
-3	17Z0173	1	Support, Upper Paper (004)
-4	17Z0178	1	Tray, Exit (003)
-4	17Z0179	1	Tray, Exit (004)