

Parts Breakdown

Color Jetprinter™ 1020

4078-00X

Extracted From Service Manual



LEXMARK™

Passion for printing ideas.™

Second Edition (July, 1996)

The following paragraph does not apply to the United Kingdom or any country where such provisions are inconsistent with local law: LEXMARK INTERNATIONAL, INC. PROVIDES THIS PUBLICATION "AS IS" WITHOUT WARRANTY OF ANY KIND, EITHER EXPRESS OR IMPLIED, INCLUDING, BUT NOT LIMITED TO, THE IMPLIED WARRANTIES OF MERCHANTABILITY OR FITNESS FOR A PARTICULAR PURPOSE. Some states do not allow disclaimer of express or implied warranties in certain transactions, therefore, this statement may not apply to you.

This publication could include technical inaccuracies or typographical errors. Changes are periodically made to the information herein; these changes will be incorporated in later editions of the publication. Improvements or changes in the products or the programs described in this publication may be made at any time. Publications are not stocked at the address given below; requests for publications should be made to your point of purchase.

Comments may be addressed to Lexmark International, Inc., Department D22A/035-3, 740 New Circle Road, Lexington, Kentucky 40550, U.S.A. Lexmark may use or distribute any of the information you supply in any way it believes appropriate without incurring any obligation to you.

Lexmark is a trademark of Lexmark International, Inc., registered in the United States and/or other countries.

Color Jetprinter is a trademark of Lexmark International, Inc.

Other trademarks are the property of their respective owners.

© Copyright Lexmark International, Inc. 1995, 1996. All Rights Reserved.

UNITED STATES GOVERNMENT RESTRICTED RIGHTS

This software and documentation are provided with RESTRICTED RIGHTS. Use, duplication or disclosure by the Government is subject to restrictions as set forth in subparagraph (c)(1)(ii) of the Rights in Technical Data and Computer Software clause at DFARS 252.227-7013 and in applicable FAR provisions: Lexmark International, Inc., Lexington KY 40550.

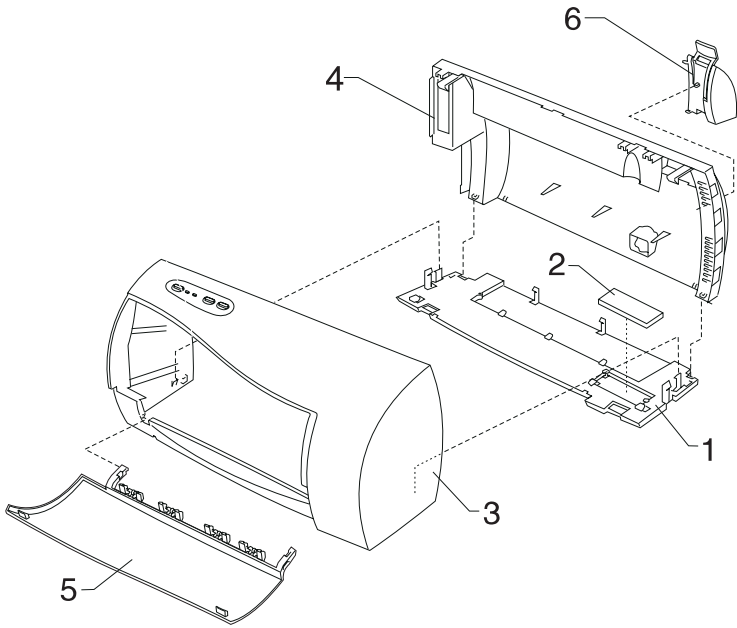
7. Parts Catalog

How To Use This Parts Catalog

- **SIMILAR ASSEMBLIES:** If two assemblies contain a majority of identical parts, they are broken down on the same list. Common parts are shown by one index number. Parts peculiar to one or the other of the assemblies are listed separately and identified by description.
- **NS:** (Not Shown) in the Asm-Index column indicates that the part is procurable but is not pictured in the illustration.
- **PP:** in the parts descriptions column indicates the part is available in the listed parts packet.

4078-00X

Assembly 1: Covers



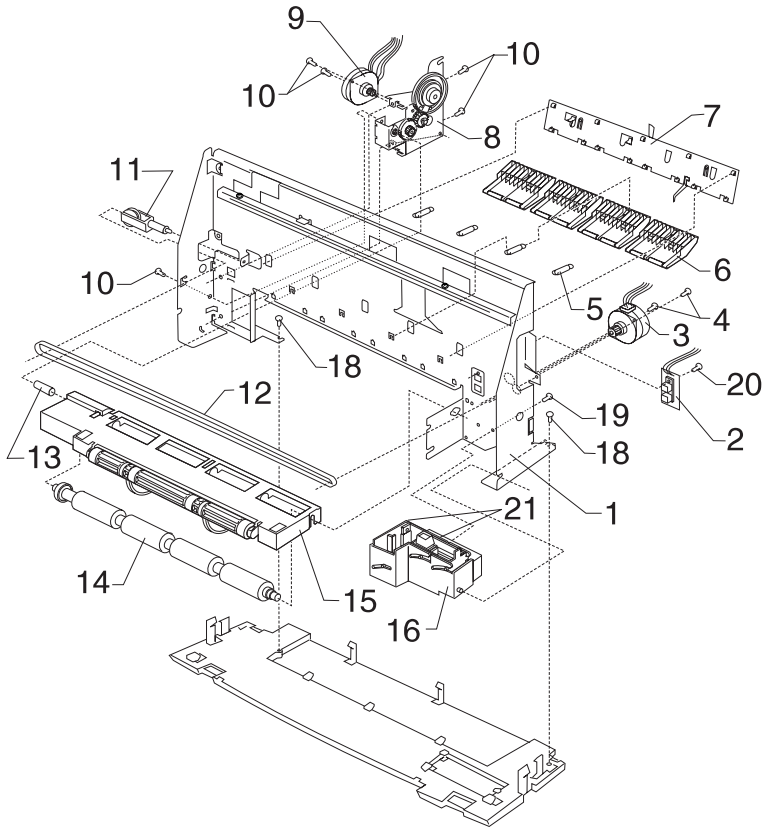
4078-00X

Asm-Index	Part Number	Units	Description
1 -1	11A5430	1	Base Asm
-2	11A5431	1	Felt Pad, Ink Absorption
-3	11A5432	1	Cover, Front Asm
-4	11A5433	1	Cover, Rear Asm
-5	11A5434	1	Cover, Access Asm
-6	11A5435	1	Garage Asm

NS	11A5453	2	Front Cover Mounting Screws (PP)
N/S	11A5454	1	Replaceable Package B/M - Includes: (Carton, Cushion Set, Sealing Tape)

4078-00X

Assembly 2: Paper Feed / Carrier Transport / Maintenance

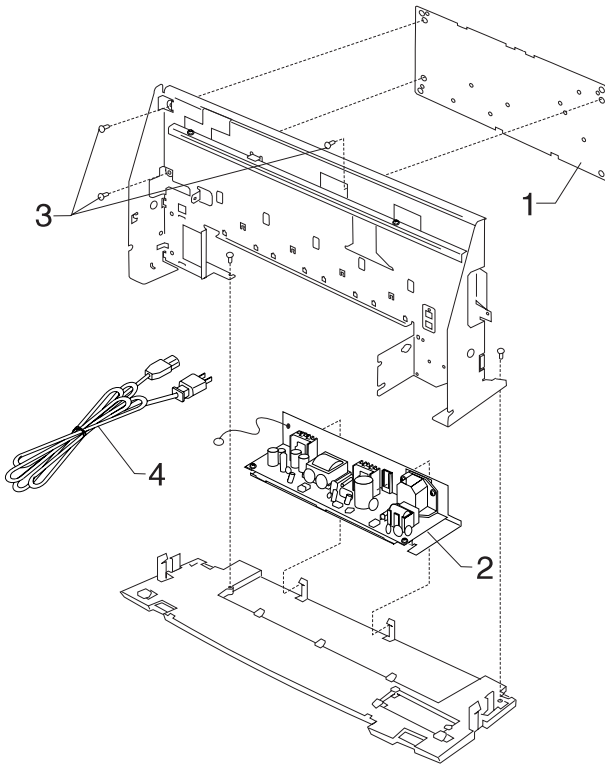


4078-00X

Asm-Index	Part Number	Units	Description
2 -1	11A5436	1	Frame, Carrier
-2	11A5438	1	Sensor, Carrier Home
-3	11A5450	1	Motor, Carrier Transport Asm See "Print Quality Notice" on page 2-15.
-4	11A5453	1	Screw, (PP)
-5	11A5453	1	Spring, Small Feed Roll Asm, (PP)
-6	11A5441	1	Feed Roll Assembly, Small
-7	11A5442	1	Mounting Bracket, Small Feed Roll Assembly
-8	11A5443	1	Drive Train Assembly
-9	11A5444	1	Motor, Paper Feed Assembly
-10	11A5453	5	Screws, Drive Train & Paper Feed Motor Mounting (PP)
-11	11A5453	1	Arm, Tensioner (PP)
-12	11A5449	1	Belt, Carrier
-13	11A5453	1	Spring, Large Feed Roll Dampening (PP)
-14	11A5440	1	Feed Roll Assembly, Large
-15	11A5439	1	Frame, Mid Assembly
-16	11A5452	1	Maintenance Assembly
-18	11A5453	2	Screw, (PP)
-19	11A5453	1	Screw, (PP)
-20	11A5453	1	Screw, (PP)
-21	1367389	1	Cap and Wiper B/M

4078-00X

Assembly 3: Electronics

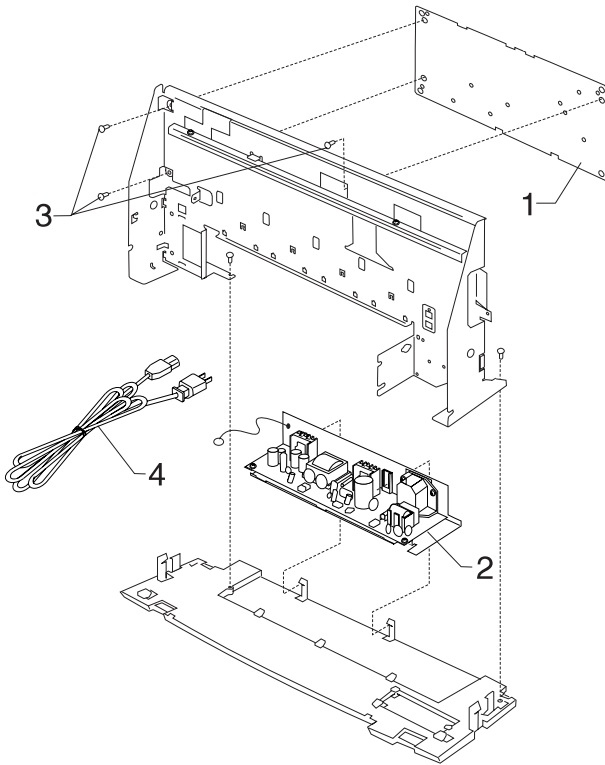


4078-00X

Asm-Index	Part Number	Units	Description
3 -1	11A5455	1	System Board with ROM See "Print Quality Notice" on page 2-15.
-2	11A5447	1	Power Supply: 110V
-2	11A5446	1	Power Supply: 220V
-3	11A5453	1	Screws, System Board (PP)

4078-00X

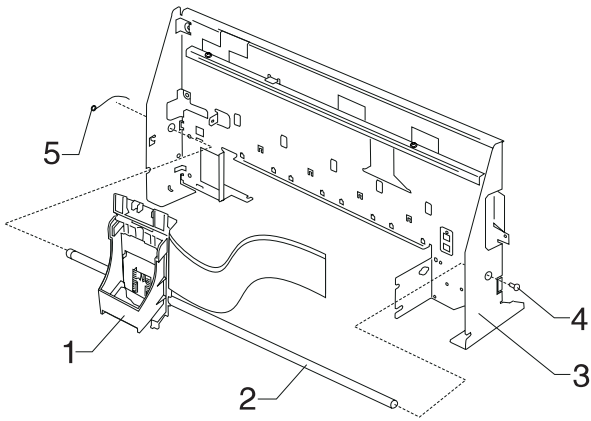
Assembly 3: Electronics (Continued)



Asm-Index	Part Number	Units	Description
3 -4	1339526 1342536 1339520 1339520 1342514 1342526 1342536 1339526 1342534 1342514 1342514 1339525 1342514 1339519 1342514 1339520 1339520 1339520 1342514 1342514 1339521 1339524 70G0496 1342514 1339520 1342514 1339520 1342514 1342536 1342514 1339520 1339517 1339523 1339520 1339520 1339522 1339519 1342536 1342514	1	Power Cord, U.S. Power Cord, Argentina Power Cord, Austria Power Cord, Belgium Power Cord, Bolivia Power Cord, Brazil (LV) Power Cord, Brazil (HV) Power Cord, Canada Power Cord, Chile Power Cord, Columbia Power Cord, Costa Rica Power Cord, Denmark Power Cord, Ecuador Power Cord, Egypt Power Cord, El Salvador Power Cord, Finland Power Cord, France Power Cord, Germany Power Cord, Guatemala Power Cord, Honduras Power Cord, Israel Power Cord, Italy Power Cord, Japan Power Cord, Mexico Power Cord, Netherlands Power Cord, Nicaragua Power Cord, Norway Power Cord, Panama Power Cord, Paraguay Power Cord, Peru Power Cord, Portugal Power Cord, Saudi Arabia Power Cord, South Africa Power Cord, Spain Power Cord, Sweden Power Cord, Switzerland Power Cord, United Kingdom Power Cord, Uruguay Power Cord, Venezuela

4078-00X

Assembly 4: Carrier

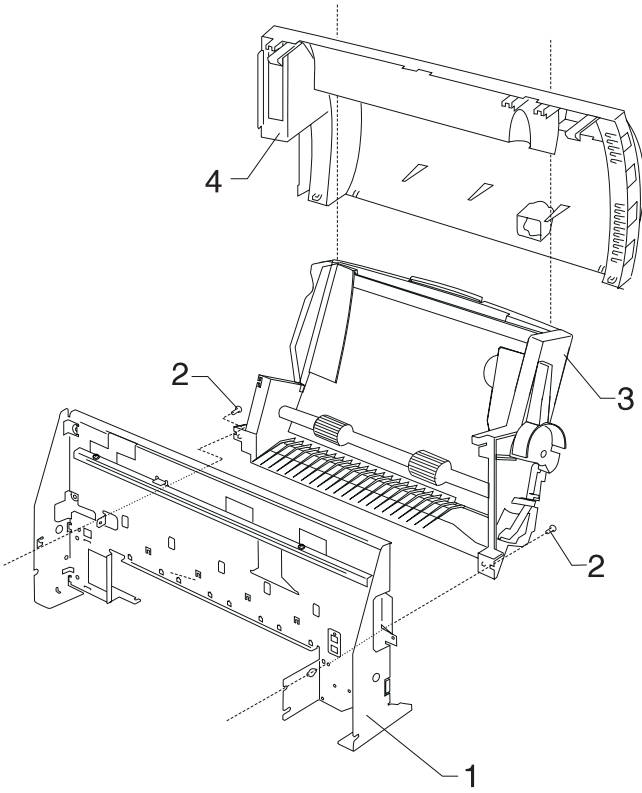


4078-00X

Asm-Index	Part Number	Units	Description
4 -1	11A5448	1	Carrier Assembly
-2	11A5437	1	Rod, Carrier Guide
-3	11A5436	1	Frame, Carrier
-4	11A5453	1	Screw, Carrier Guide Rod (PP)
-5	11A5453	1	Spring, Carrier Guide Rod (PP)

4078-00X

Assembly 5: Sheet Feeder



4078-00X

Asm-Index	Part Number	Units	Description
5 -1	11A5436	1	Frame, Carrier
-2	11A5453	2	Screws, Sheet Feeder Mounting (PP)
-3	11A5451	1	Sheet Feeder Asm
-4	11A5433	1	Cover, Rear Asm
NS	70G2759	1	Card Feeder Kit, Japan Hagaki