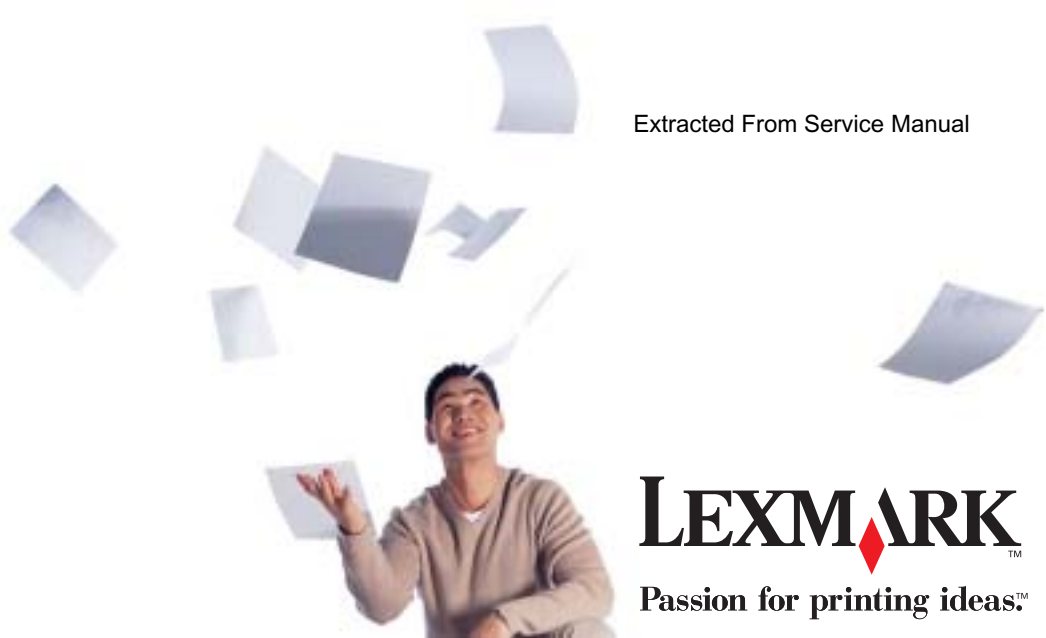


# Parts Breakdown

## Lexmark 2030 Color Jetprinter™

**4091-001**

Extracted From Service Manual



**LEXMARK™**  
Passion for printing ideas.™

**Second Edition (November, 1997)**

**The following paragraph does not apply to the United Kingdom or any country where such provisions are inconsistent with local law:** LEXMARK INTERNATIONAL, INC. PROVIDES THIS PUBLICATION "AS IS" WITHOUT WARRANTY OF ANY KIND, EITHER EXPRESS OR IMPLIED, INCLUDING, BUT NOT LIMITED TO, THE IMPLIED WARRANTIES OF MERCHANTABILITY OR FITNESS FOR A PARTICULAR PURPOSE. Some states do not allow disclaimer of express or implied warranties in certain transactions, therefore, this statement may not apply to you.

This publication could include technical inaccuracies or typographical errors. Changes are periodically made to the information herein; these changes will be incorporated in later editions of the publication. Improvements or changes in the products or the programs described in this publication may be made at any time. Publications are not stocked at the address given below; requests for publications should be made to your point of purchase.

Comments may be addressed to Lexmark International, Inc., Department D22A/035-3, 740 New Circle Road, Lexington, Kentucky 40550, U.S.A. Lexmark may use or distribute any of the information you supply in any way it believes appropriate without incurring any obligation to you.

Lexmark is a trademark of Lexmark International, Inc., registered in the United States and/or other countries. Color Jetprinter is a trademark of Lexmark International, Inc.

Other trademarks are the property of their respective owners.

**© Copyright Lexmark International, Inc. 1996, 1997.  
All Rights Reserved.**

**UNITED STATES GOVERNMENT RESTRICTED RIGHTS**

This software and documentation are provided with RESTRICTED RIGHTS. Use, duplication or disclosure by the Government is subject to restrictions as set forth in subparagraph (c)(1)(ii) of the Rights in Technical Data and Computer Software clause at DFARS 252.227-7013 and in applicable FAR provisions: Lexmark International, Inc., Lexington, KY 40550.

---

## 7. Parts Catalog

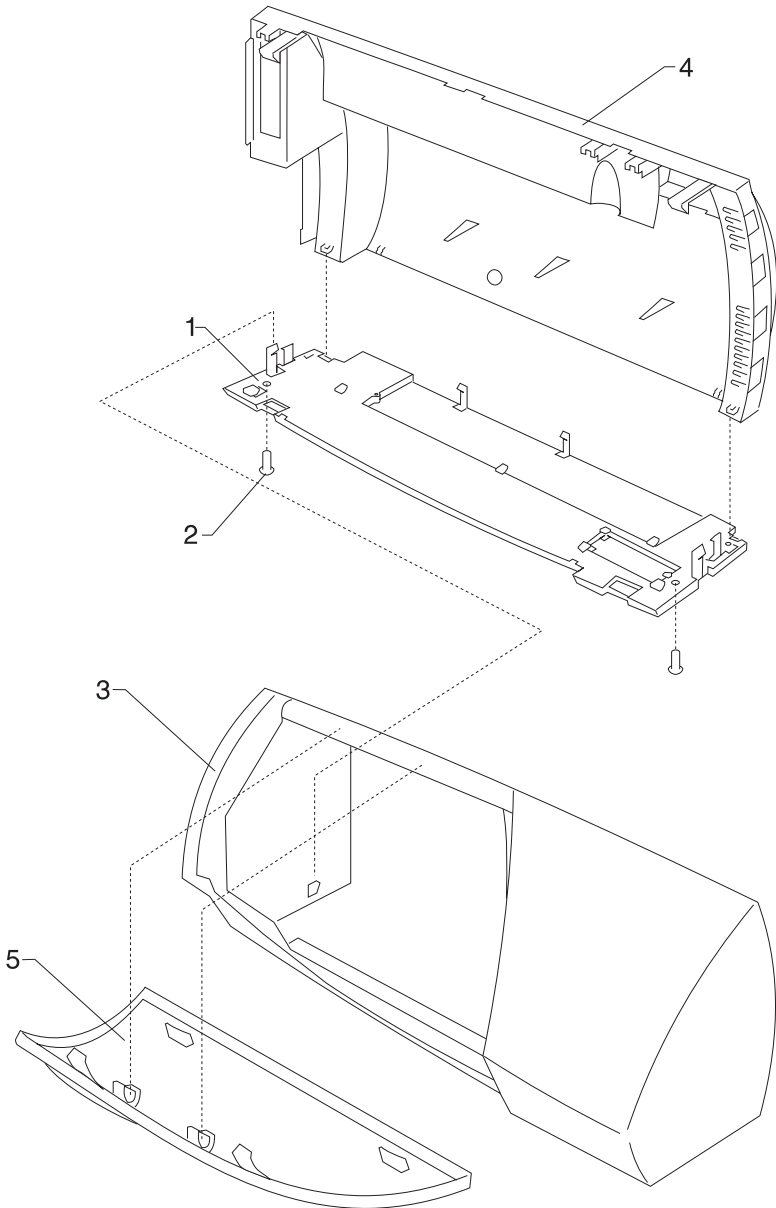
---

### How to Use This Parts Catalog

---

- **SIMILAR ASSEMBLIES:** If two assemblies contain a majority of identical parts, they are broken down on the same list. Common parts are shown by one index number. Parts peculiar to one or the other of the assemblies are listed separately and identified by description.
- **NS:** (Not Shown) in the Asm-Index column indicates that the part is procurable but is not pictured in the illustration.
- **PP:** in the parts descriptions column indicates the part is available in the listed parts packet.

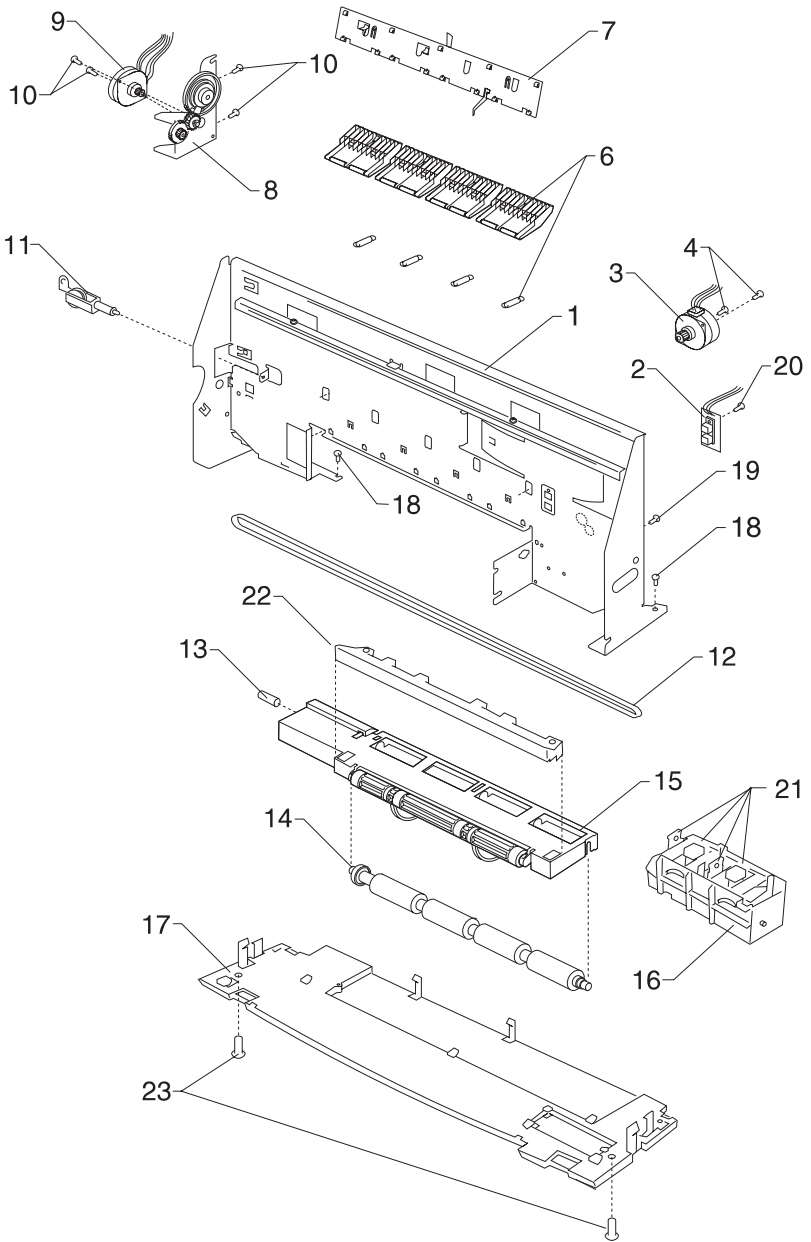
Assembly 1: Covers



**4091-001**

<b>Asm-Index</b>	<b>Part Number</b>	<b>Units</b>	<b>Description</b>
1 -1	11B5580	1	Base Assembly
2	11B5600	2	Front Cover Mounting Screws (PP)
3	11B5581	1	Cover, Front Assembly
4	11B5582	1	Cover, Rear Assembly
5	11B5583	1	Cover, Access Assembly
N/S	7347859	1	Replaceable Package B/M - Includes: (Carton, Cushion Set, Sealing Tape)

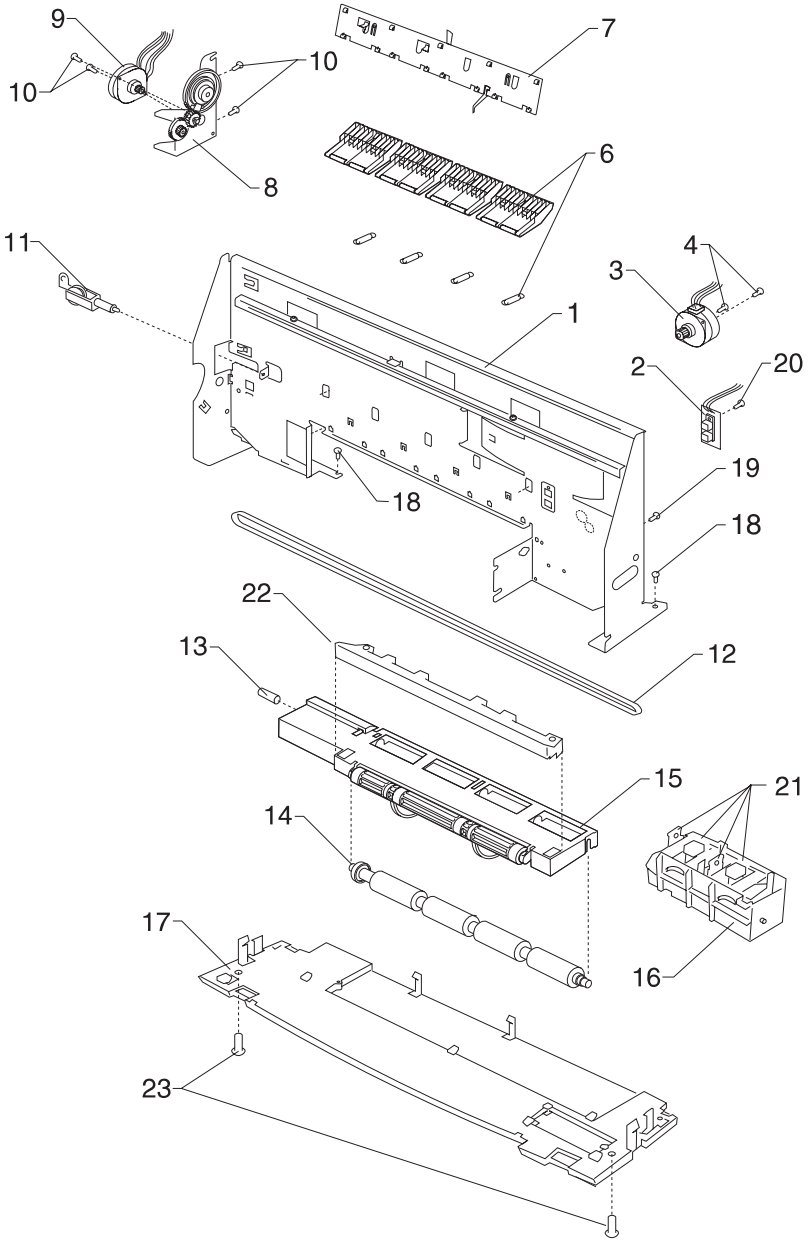
## Assembly 2: Paper Feed / Carrier Transport / Maintenance



**4091-001**

<b>Asm-Index</b>	<b>Part Number</b>	<b>Units</b>	<b>Description</b>
2 -1	11B5584	1	Frame, Carrier with cable guide system board stand off.
2	11B5586	1	Sensor, Carrier Home
3	11B5598	1	Motor, Carrier Transport Assembly
4	11B5600	2	Screw, (PP)
6	11B5601	1	Feed Roll Assembly, Small
7	11B5589	1	Mounting Bracket, Small Feed Roll Assembly
8	11B5590	1	Drive Train Assembly
9	11A5444	1	Motor, Paper Feed Assembly
10	11B5600	5	Screws, Paper Feed Motor Mounting (PP)
11	11B5588	1	Arm, Tensioner
12	11B5597	1	Belt, Carrier
13	11B5600	1	Spring, Large Feed Roll Dampening (PP)
14	11A5440	1	Feed Roll Assembly, Large
15	11B5587	1	Frame, Mid Assembly
16	11B5599	1	Maintenance Assembly
17	11B5580	1	Base Assembly

## Assembly 2: Paper Feed / Carrier Transport / Maintenance



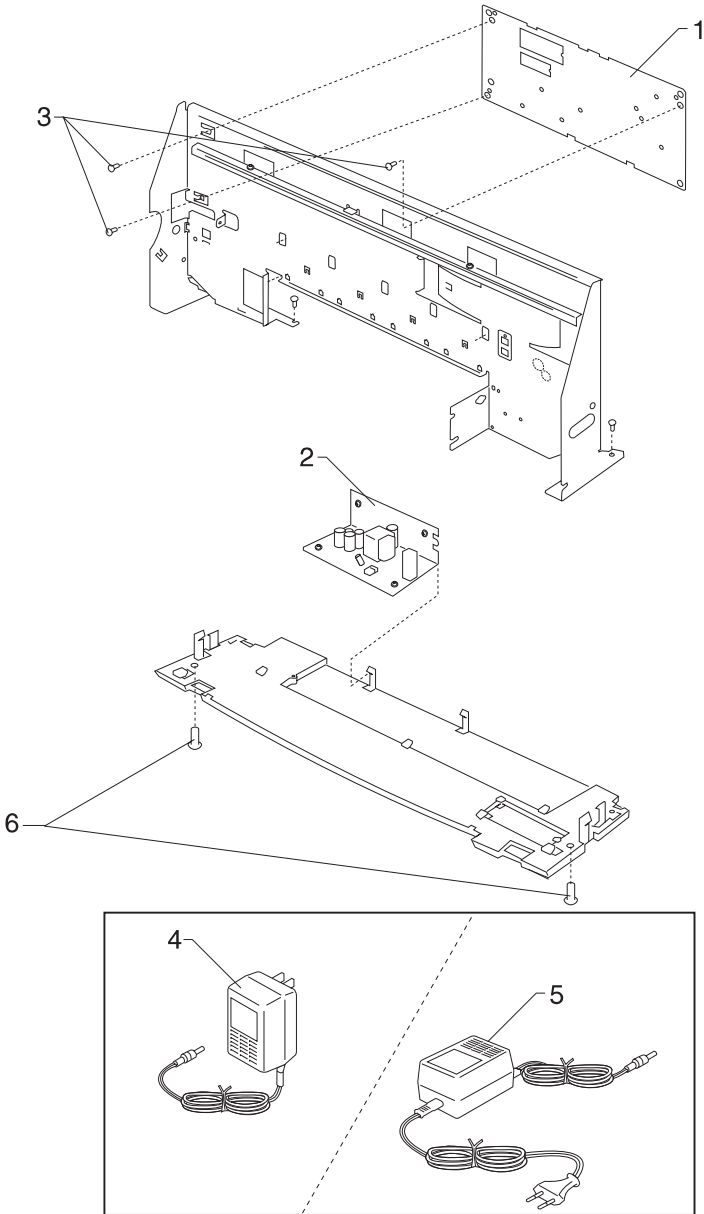


**4091-001**

<b>Asm-Index</b>	<b>Part Number</b>	<b>Units</b>	<b>Description</b>
2- 18	11B5600	2	Screw, (PP)
19	11B5600	1	Screw, (PP)
20	11B5600	1	Screw, (PP)
21	1367389	1	Cap and Wiper B/M (One of each)
22	11B5595	1	Star Roller Asm
23	11B5600	2	Screw (PP)
NS	11B5600	2	Bearings, Large Feed Roll
NS	11B5600	2	Screws, Star Roller Assembly Mounting

4091-001

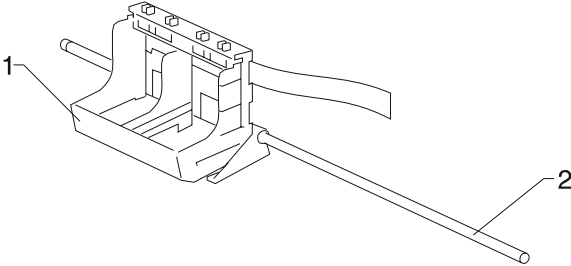
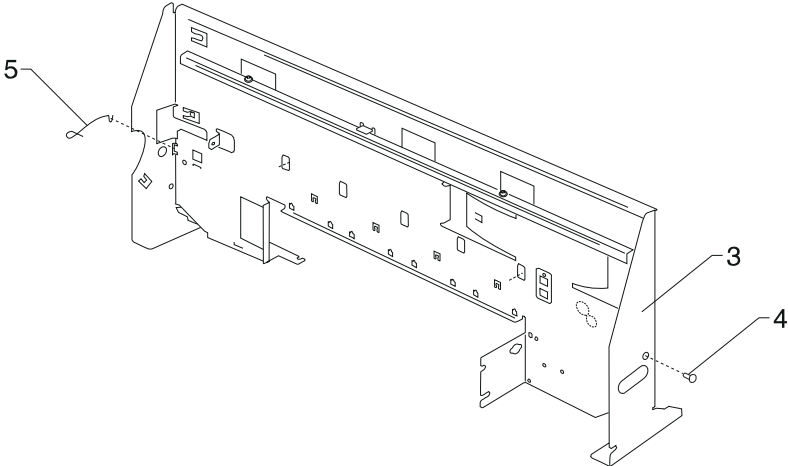
### Assembly 3: Electronics



**4091-001**

<b>Asm-Index</b>	<b>Part Number</b>	<b>Units</b>	<b>Description</b>
3 -1	11B5591	1	System Board with ROM
2	11B5594	1	DC/DC Converter
3	11B5600	3	Screws, System Board (PP)
4	11B5592	1	External Power Supply Asm. (LV)
5	11B5593	1	External Power Supply Asm. (HV)
6	11B5600	2	Screws, Base Asm (PP)
NS	11B5602	1	Cable, Parallel Port
NS	11B6073	1	Power Cable (United Kingdom)
NS	11B6074	1	Power Cable (Europe)
NS	11B6075	1	Power Cable (Israel)
NS	11B6076	1	Power Cable (Australia / New Zealand)
NS	11B6077	1	Power Cable (South Africa)
NS	11B6078	1	Power Cable (Peru)

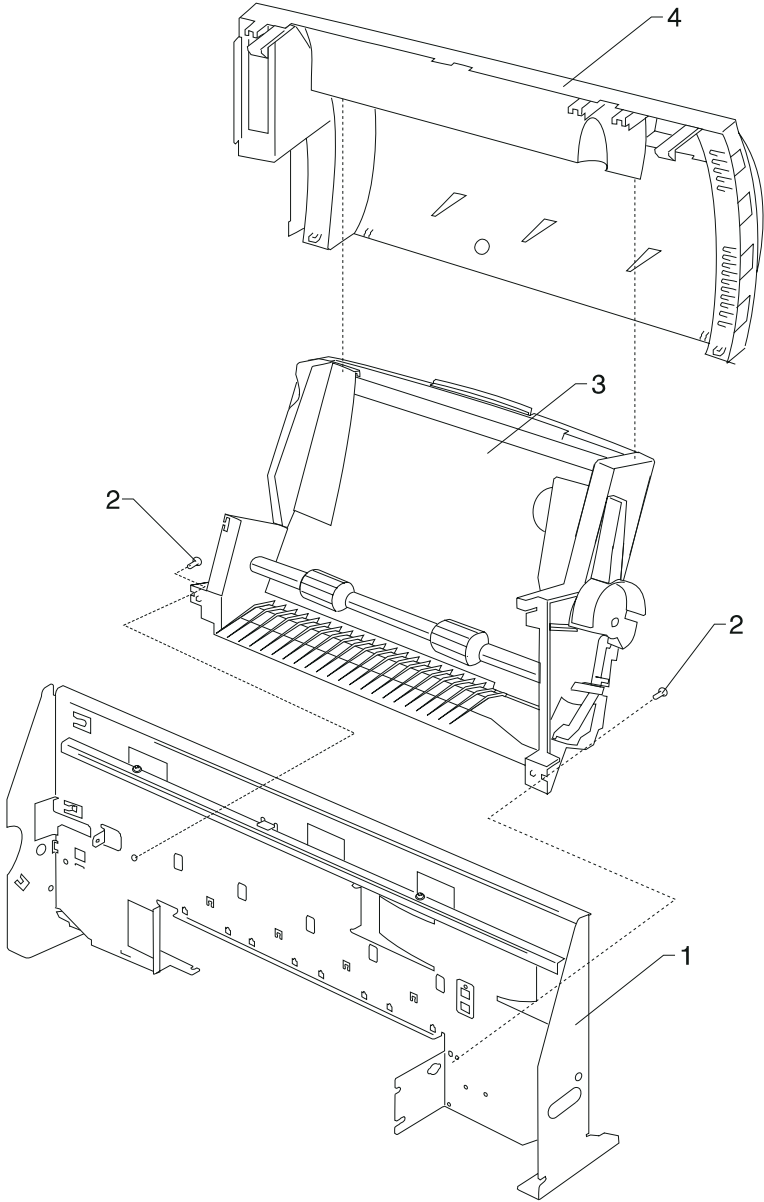
Assembly 4: Carrier



**4091-001**

<b>Asm-Index</b>	<b>Part Number</b>	<b>Units</b>	<b>Description</b>
4 -1	11B5596	1	Carrier Assembly
2	11B5585	1	Rod, Carrier Guide
3	11B5584	1	Frame, Carrier
4	11B5600	1	Screw, Carrier Guide Rod (PP)
5	11B5600	1	Spring, Carrier Guide Rod (PP)

Assembly 5: Sheet Feeder



**4091-001**

<b>Asm-Index</b>	<b>Part Number</b>	<b>Units</b>	<b>Description</b>
5 -1	11B5584	1	Frame, Carrier
2	11B5600	2	Screws, Sheet Feeder Mounting (PP)
3	11A5451	1	Sheet Feeder Asm
4	11B5582	1	Cover, Rear Asm