

Parts Breakdown

Color Jetprinter™ 2050/2055

4077-X0X

Extracted From Service Manual



LEXMARK™

Passion for printing ideas.™

Second Edition (May, 1997)

The following paragraph does not apply to the United Kingdom or any country where such provisions are inconsistent with local law: LEXMARK INTERNATIONAL, INC. PROVIDES THIS PUBLICATION "AS IS" WITHOUT WARRANTY OF ANY KIND, EITHER EXPRESS OR IMPLIED, INCLUDING, BUT NOT LIMITED TO, THE IMPLIED WARRANTIES OF MERCHANTABILITY OR FITNESS FOR A PARTICULAR PURPOSE. Some states do not allow disclaimer of express or implied warranties in certain transactions, therefore, this statement may not apply to you. This publication could include technical inaccuracies or typographical errors. Changes are periodically made to the information herein; these changes will be incorporated in later editions of the publication. Improvements or changes in the products or the programs described in this publication may be made at any time. Publications are not stocked at the address given below; requests for publications should be made to your point of purchase.

A form for reader's comments is provided at the back of this publication. If the form has been removed, comments may be addressed to Lexmark International, Inc., Department D22A/035-3, 740 New Circle Road, Lexington, Kentucky 40511, U.S.A. Lexmark may use or distribute any of the information you supply in any way it believes appropriate without incurring any obligation to you.

Lexmark is a trademark of Lexmark International, Inc.

Color Jetprinter is a trademark of the International Business Machines Corporation in the United States and/or other countries and is used by Lexmark under license.

© Copyright Lexmark International, Inc. 1996. All Rights Reserved.

UNITED STATES GOVERNMENT RESTRICTED RIGHTS

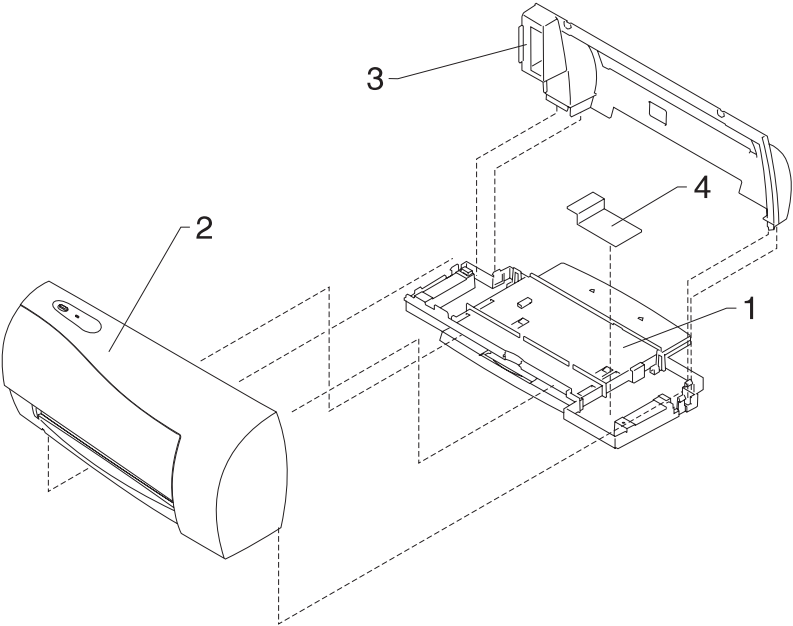
This software and documentation are provided with RESTRICTED RIGHTS. Use, duplication or disclosure by the Government is subject to restrictions as set forth in subparagraph (c)(1)(ii) of the Rights in Technical Data and Computer Software clause at DFARS 252.227-7013 and in applicable FAR provisions: Lexmark International, Inc., Lexington, KY 40511.

7. Parts Catalog

How To Use This Parts Catalog

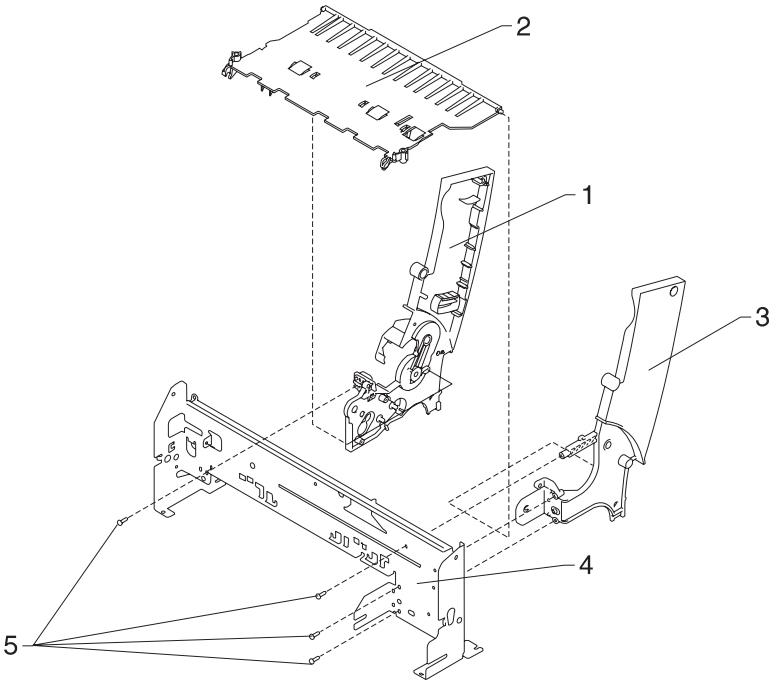
- **SIMILAR ASSEMBLIES:** If two assemblies contain a majority of identical parts, they are broken down on the same list. Common parts are shown by one index number. Parts peculiar to one or the other of the assemblies are listed separately and identified by description.
- **NS:** (Not Shown) in the Asm-Index column indicates that the part is procurable but is not pictured in the illustration.
- **PP:** in the parts descriptions column indicates the part is available in the listed parts packet.

Assembly 1: Covers



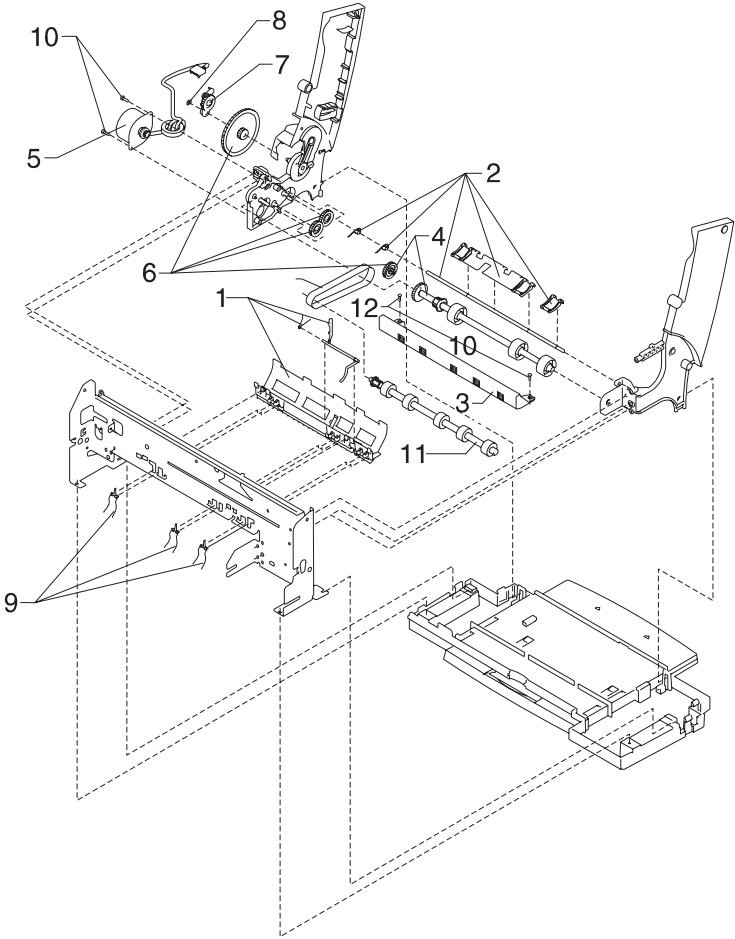
Asm-Index	Part Number	Units	Description
1 -1	13A1233	1	Base Asm includes, Gutter Pad, Feet (White)
1 -1	13A1445	1	Base Asm includes, Gutter Pad, Feet (Black)
-1A	13A1234	1	Exit Tray and Extender (White)
-1A	13A1452	1	Exit Tray and Extender (Black)
-2	13A1220	1	Front Cover Asm, Access Cover, Button & LED Lens (4077-201)
-2	13A1439	1	Front Cover Asm, Access Cover, Button & LED Lens (4077-202)
-2	13A1528	1	Front Cover Asm, Access Cover, Button & LED Lens (4077-204)
-2	13A1326	1	Front Cover Asm, Access Cover, Button & LED Lens (4077-203)
-2	13A1258	1	Front Cover Asm, Access Cover, Button & LED Lens (4077-301)
-3	69G4118	1	Rear Cover
-3	13A1444	1	Rear Cover (4077-202, 204)
-4	69G4119	1	Gutter Pad, Base Asm
NS	13A1257	1	Tray, Paper Storage (4077-301)
NS	13A1259	1	Garage Asm, Printhead (4077-301)
NS	7347935	1	Plain Carton Packaging B/M

Assembly 2: Frames



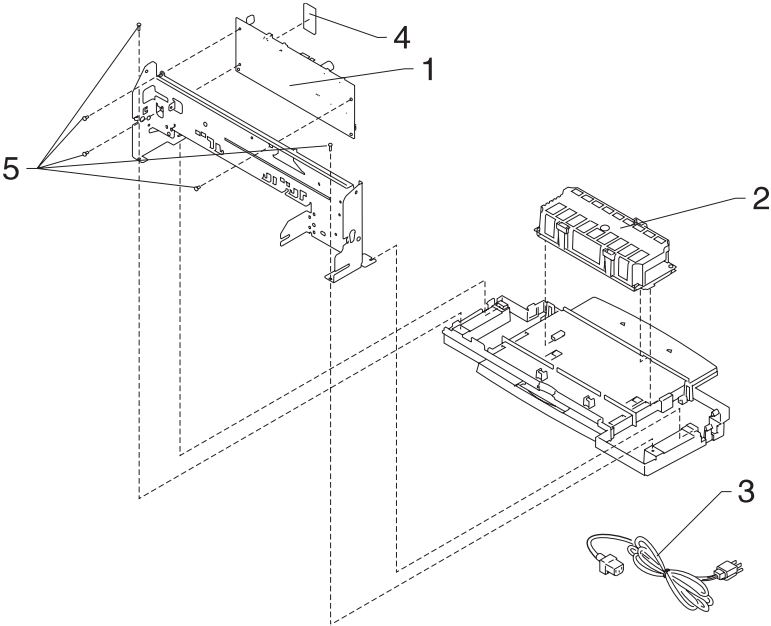
Asm-Index	Part Number	Units	Description
2 -1	13A1235	1	Left Side Frame Sub-Asm (White) without Gears Also order gears B/M 69G4127
2 -1	13A1449	1	Left Side Frame Sub-Asm (Black) without Gears Also order gears B/M 69G4127
-2	13A1279	1	Mid Frame Asm
-3	13A1236	1	Right Side Frame (White)
-3	13A1446	1	Right Side Frame (Black)
-4	69G4122	1	Carrier Frame
-5	69G4188	4	Screw, Frame Mounting (PP)

Assembly 3: Paper Feed



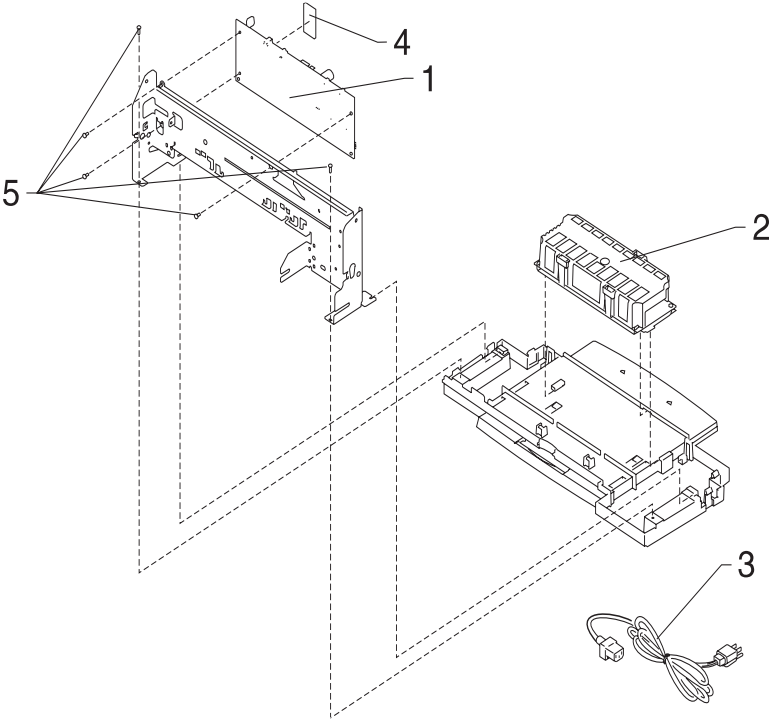
Asm-Index	Part Number	Units	Description
3 -1	13A1192	1	Paper Guide Asm includes EOF Flag, Spring Also order 13A1280
-2	13A1280	1	Small Feed Roll Shaft Roll B/M and Paper Flap
-3	13A1279	1	Star Roller Asm (part of Mid Frame)
-4	70G0575	1	Large Feed Roll Asm (includes Small Compound Idler Gear)
-5	13A1221	1	Paper Feed Motor, Motor Gear, Toroid
-6	69G4127	1	Gears B/M
-7	69G4398	1	Feed Arm Asm
-8	69G4188	2	C-Clip (PP)
-9	69G4188	3	Spring, Small Feed Roll (PP)
-10	69G4188	2	Screw, Paper Feed Motor Mounting (PP)
-11	70G0577	1	Exit Roller
-12	70G0579	1	Exit Drive Belt

Assembly 4: Electronics



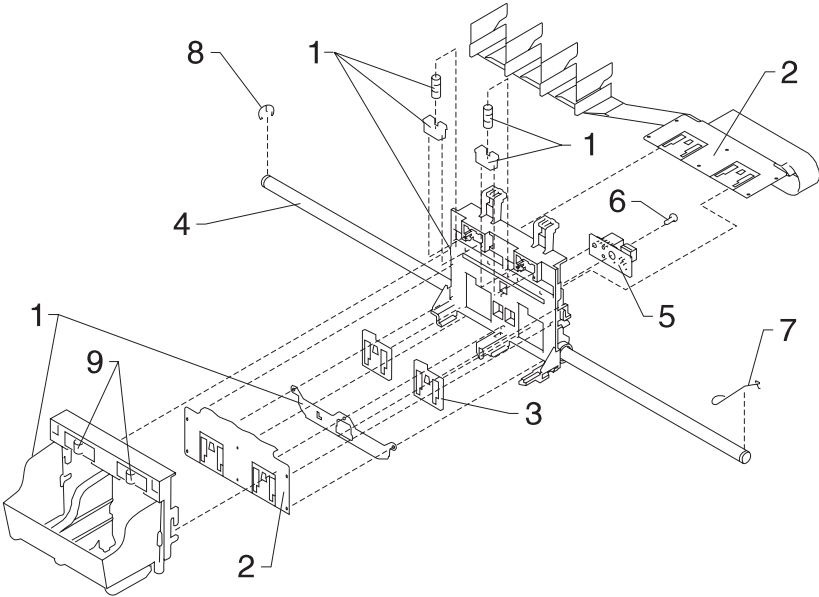
Asm-Index	Part Number	Units	Description
4 -1	13A1222	1	System Board, W/O Code Module
-2	13A1237	1	Power Supply with Ground Plane, Insulator, Cover (Universal)
-3	1339526	1	Power Cord, U.S.
	1342514		Power Cord, Argentina
	1339520		Power Cord, Austria
	1339520		Power Cord, Belgium
	1342514		Power Cord, Bolivia
	1342514		Power Cord, Brazil (LV)
	1342534		Power Cord, Brazil (HV)
	1339526		Power Cord, Canada
	1342534		Power Cord, Chile
	1342514		Power Cord, Columbia
	1342514		Power Cord, Costa Rica
	1339525		Power Cord, Denmark
	1342514		Power Cord, Ecuador
	1339519		Power Cord, Egypt
	1342514		Power Cord, El Salvador
	1339520		Power Cord, Finland
	1339520		Power Cord, France
	1339520		Power Cord, Germany
	1342514		Power Cord, Guatemala
	1342514		Power Cord, Honduras
	1339521		Power Cord, Israel
	1339524		Power Cord, Italy
	70G0496		Power Cord, Japan
	1342514		Power Cord, Mexico
	1339520		Power Cord, Netherlands
	1342514		Power Cord, Nicaragua
	1339520		Power Cord, Norway
	1342514		Power Cord, Panama
	1342536		Power Cord, Paraguay
	1342514		Power Cord, Peru
	1339517		Power Cord, Saudi Arabia
	1339523		Power Cord, South Africa
	1339520		Power Cord, Spain
	1339520		Power Cord, Sweden
	1339522		Power Cord, Switzerland
	1339519		Power Cord, United Kingdom
	1342536		Power Cord, Uruguay
	1342514		Power Cord, Venezuela

Assembly 4: Electronics (continued)



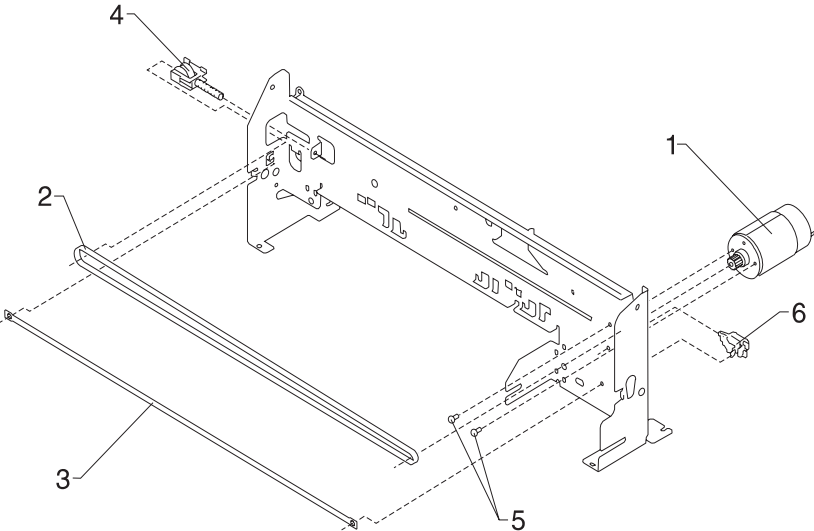
Asm-Index	Part Number	Units	Description
4 -4	13A1223	1	Code Module
-5	69G4188	5	Screw, System Board Mounting (PP)

Assembly 5: Carrier



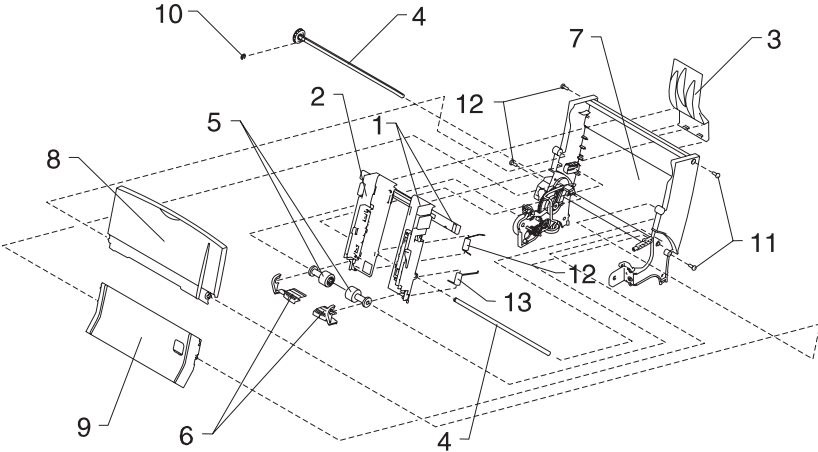
Asm-Index	Part Number	Units	Description
5 -1	69G4154	1	Printhead Carrier B/M
-2	69G4155	1	Printhead Cable (Folded)
-3	1367109	1	Rubber Backer
-4	69G4157	1	Carrier Guide Rod
-5	69G4156	1	Encoder Card Asm
-6	69G4188	1	Screw, Encoder Card Mounting (PP)
-7	69G4188	1	Retainer Right, Carrier Guide Rod (PP)
-8	69G4188	1	E-Ring, Carrier Guide Rod (PP)
-9	13A1225	1	Printhead Cartridge Interlock Key B/M

Assembly 6: Carrier Transport



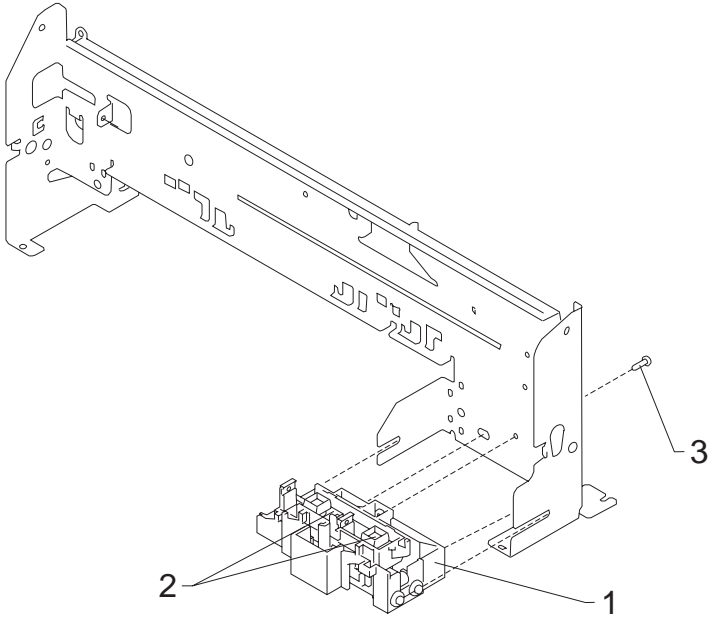
Asm-Index	Part Number	Units	Description
6 -1	69G4158	1	Carrier Transport Motor & Pulley
-2	69G4159	1	Carrier Belt
-2	13B0215	1	Carrier Belt (New Style)
-3	69G4403	1	Encoder Strip
-4	69G4163	1	Idler Pulley Tension Asm
-5	69G4188	2	Screw, Carrier Transport Motor Mounting (PP)
-6	69G4188	1	Tensioner, Encoder Strip (PP)

Assembly 7: Sheet Feeder



Asm-Index	Part Number	Units	Description
7 -1	13A1227	1	Right Edge Guide & Width Adjust Strip (White)
7 -1	13A1442	1	Right Edge Guide & Width Adjust Strip (Black)
-2	13A1228	1	Left Edge Guide (White)
-2	13A1443	1	Left Edge Guide (Black)
-3	69G4131	1	Upper Paper Support (White)
-3	13A1451	1	Upper Paper Support (Black)
-4	13A1229	1	Pick Roll & Paper Load Shaft B/M
-5	1367463	2	Pick Roll Hub Asm
-6	1367019	1	Envelope Buckler B/M, Left & Right
-7	69G4169	1	Back (White)
-7	13A1448	1	Back (Black)
-8	13A1226	1	Paper Load Door (White)
-8	13A1440	1	Paper Load Door (Black)
-9	69G4165	1	Manual Insert Tray (White)
-9	13A1447	1	Manual Insert Tray (Black)
-10	69G4188	1	E-Ring (PP)
-11	69G4188	4	Screw, Side Frame (PP)
-12	69G4188	1	Spring, Left Paper Load (PP)
-13	69G4188	1	Spring, Right Paper Load (PP)

Assembly 8: Maintenance Station



Asm-Index	Part number	Units	Description
8 -1	13A1231	1	Maintenance Station Asm
-2	1367389	1	Wiper and Cap B/M (one of each)
-3	69G4188	1	Screw, Maintenance Station Mounting (PP)