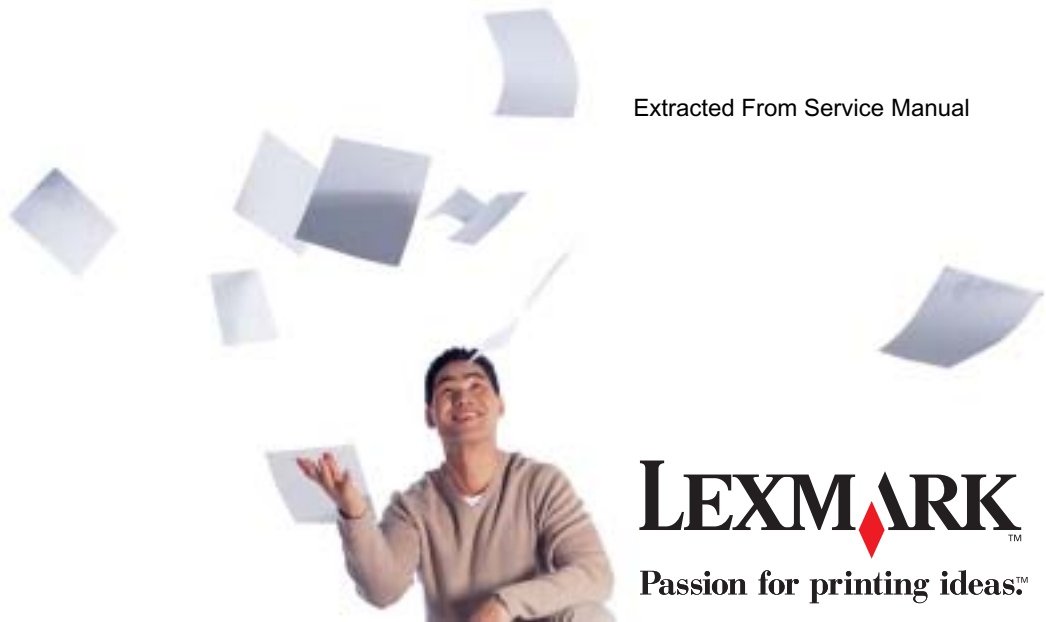


Parts Breakdown

Color Jetprinter™ 2070

4090-001

Extracted From Service Manual



LEXMARK[™]

Passion for printing ideas.[™]

Third Edition (July, 1997)

The following paragraph does not apply to the United Kingdom or any country where such provisions are inconsistent with local law: LEXMARK INTERNATIONAL, INC. PROVIDES THIS PUBLICATION "AS IS" WITHOUT WARRANTY OF ANY KIND, EITHER EXPRESS OR IMPLIED, INCLUDING, BUT NOT LIMITED TO, THE IMPLIED WARRANTIES OF MERCHANTABILITY OR FITNESS FOR A PARTICULAR PURPOSE. Some states do not allow disclaimer of express or implied warranties in certain transactions, therefore, this statement may not apply to you. This publication could include technical inaccuracies or typographical errors. Changes are periodically made to the information herein; these changes will be incorporated in later editions of the publication. Improvements or changes in the products or the programs described in this publication may be made at any time. Publications are not stocked at the address given below; requests for publications should be made to your point of purchase.

Comments may be addressed to Lexmark International, Inc., Department D22A/035-3, 740 New Circle Road, Lexington, Kentucky 40550, U.S.A. Lexmark may use or distribute any of the information you supply in any way it believes appropriate without incurring any obligation to you.

Lexmark is a trademark of Lexmark International, Inc., registered in the United States and/or other countries.

Color Jetprinter is a trademark of Lexmark International, Inc.

Other trademarks are the property of their respective owners.

© **Copyright Lexmark International, Inc. 1995, 1997. All Rights Reserved.**

UNITED STATES GOVERNMENT RESTRICTED RIGHTS

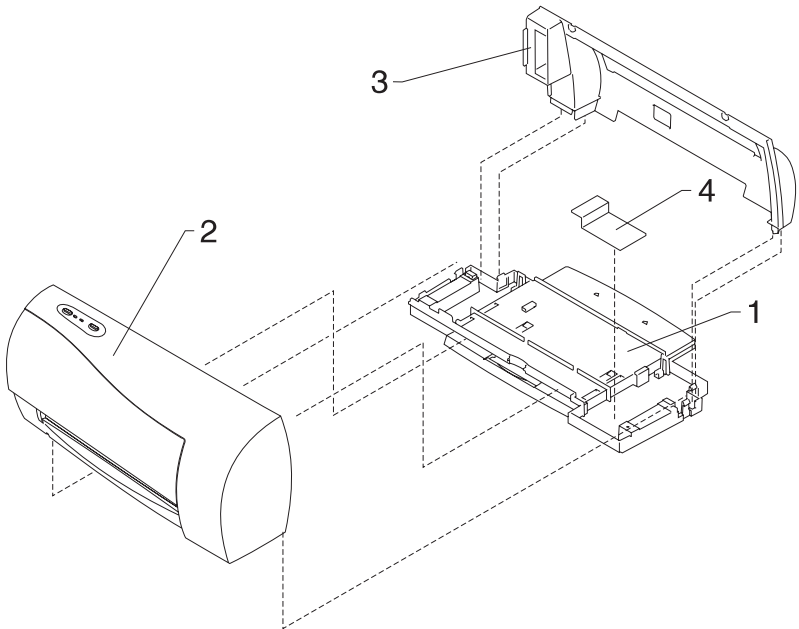
This software and documentation are provided with RESTRICTED RIGHTS. Use, duplication or disclosure by the Government is subject to restrictions as set forth in subparagraph (c)(1)(ii) of the Rights in Technical Data and Computer Software clause at DFARS 252.227-7013 and in applicable FAR provisions: Lexmark International, Inc., Lexington, KY 40550.

7. Parts Catalog

How To Use This Parts Catalog

- **SIMILAR ASSEMBLIES:** If two assemblies contain a majority of identical parts, they are broken down on the same list. Common parts are shown by one index number. Parts peculiar to one or the other of the assemblies are listed separately and identified by description.
- **NS:** (Not Shown) in the Asm-Index column indicates that the part is procurable but is not pictured in the illustration.
- **PP:** in the parts descriptions column indicates the part is available in the listed parts packet.

Assembly 1: Covers

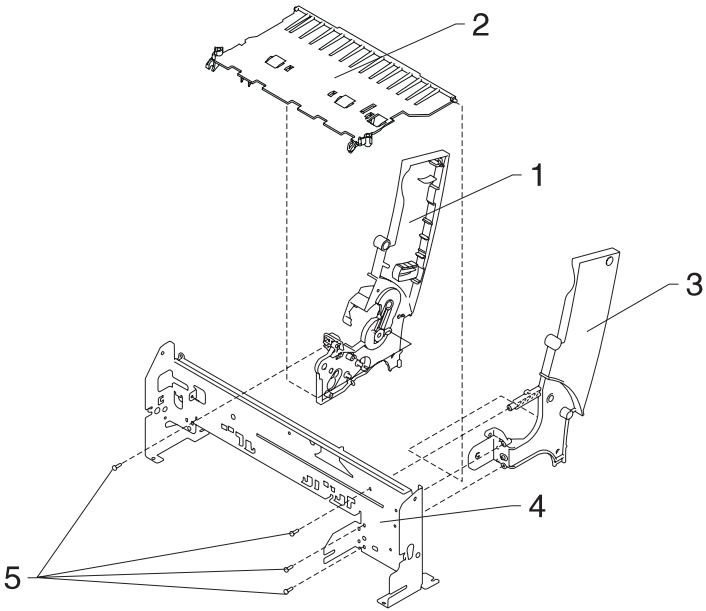


4090-001

Asm-Index	Part Number	Units	Description
1 -1	70G0594	1	Base Asm includes Exit Tray, Gutter Pad, Feet
-2	70G0595	1	Front Cover Asm, Access Cover, Button & LED Lens
-3	69G4118	1	Rear Cover
-4	69G4119	1	Gutter Pad, Base Asm

N/S	70G0591	1	Replaceable Package B/M (US) Includes: (Carton, Cushion Set, Sealing Tape)
N/S	70G0592	1	Replaceable Package B/M (Non - US) Includes: (Carton, Cushion Set, Sealing Tape)

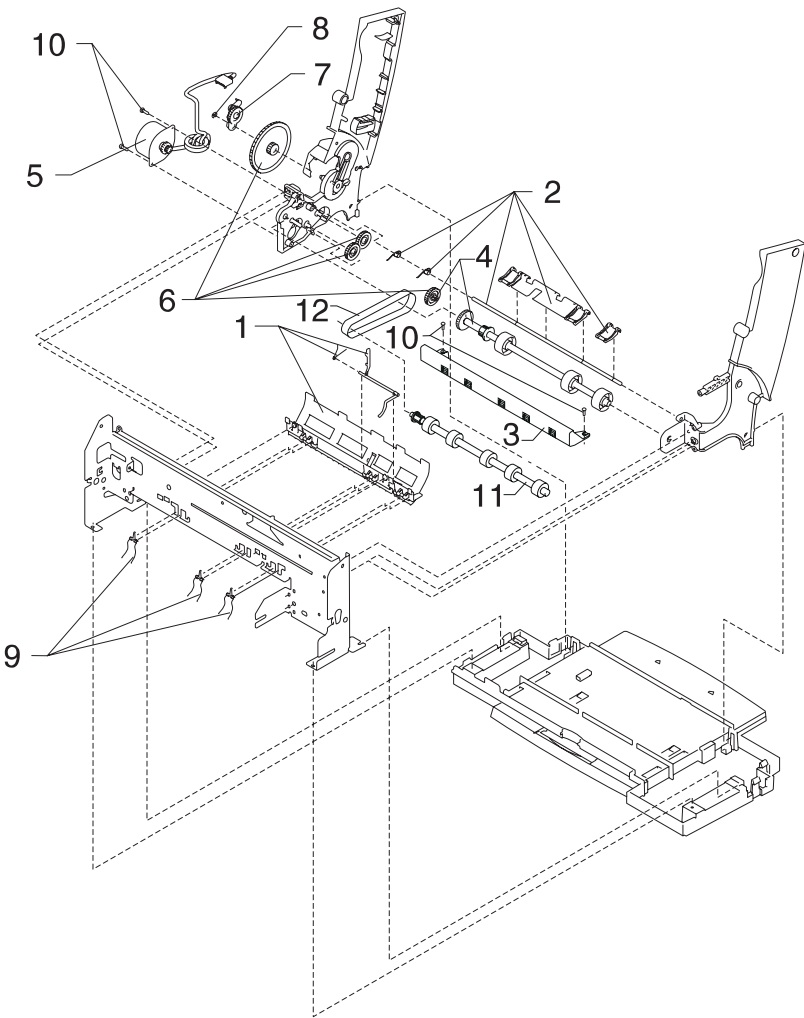
Assembly 2: Frames



4090-001

Asm-Index	Part Number	Units	Description
2 -1	69G4120	1	Left Side Frame Sub-Asm without Gears Also order gears B/M 69G4127
-2	70G0574	1	Mid Frame with Star Rollers
-3	69G4121	1	Right Side Frame
-4	69G4122	1	Carrier Frame
-5	69G4188	4	Screw, Frame Mounting (PP)

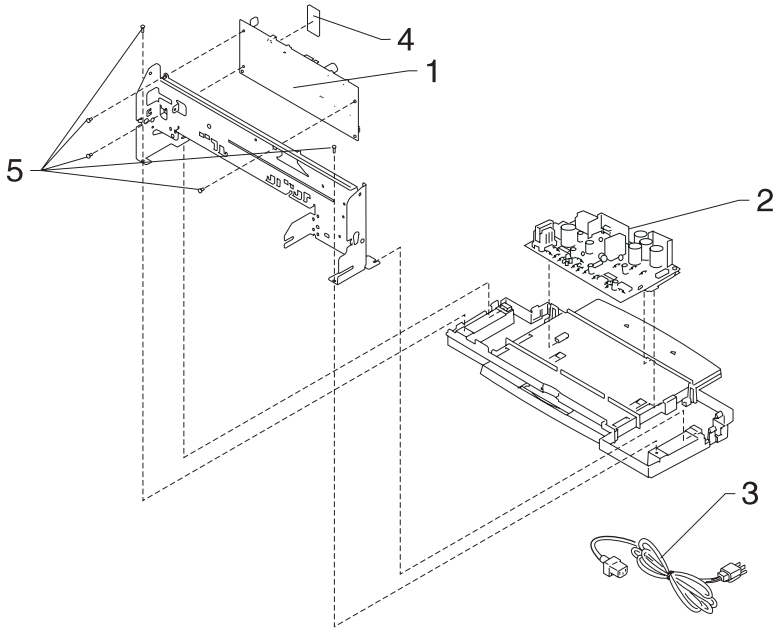
Assembly 3: Paper Feed



4090-001

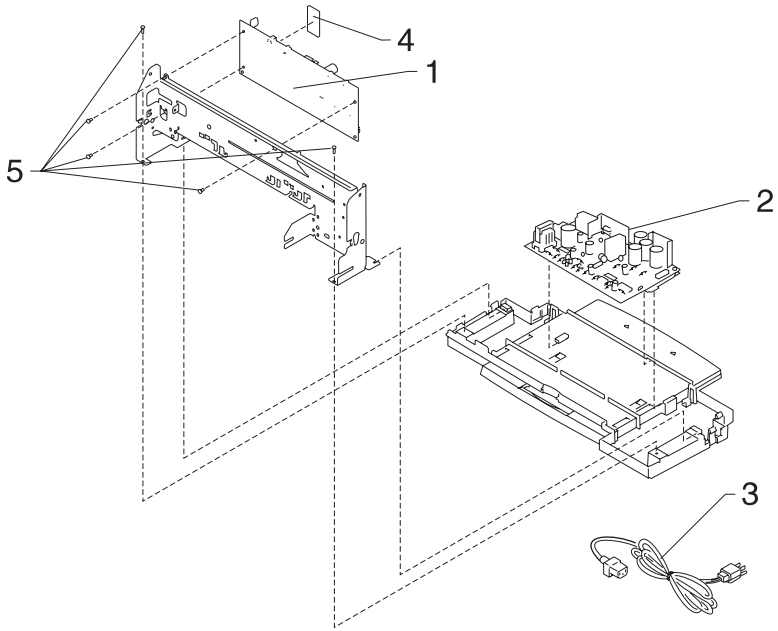
Asm-Index	Part Number	Units	Description
3 -1	69G4074	1	Paper Guide Asm includes EOF Flag, Spring (Old style - works with old or new small feed roll). See "Boss Paper Guide Feature" on page 4-21.
-1	70G3039	1	Paper Guide Asm includes EOF Flag, Spring (New style, works with new small feed roll only). See "Boss Paper Guide Feature" on page 4-21.
-2	13A1196	1	Small Feed Roll Shaft Roll B/M and Paper Flap
-3	70G0574	1	Star Roller Asm (part of Mid Frame)
-4	70G0575	1	Large Feed Roll Asm (includes Small Compound Idler Gear)
-5	70G0576	1	Paper Feed Motor, Motor Gear, Toroid
-6	69G4127	1	Gears B/M
-7	69G4398	1	Feed Arm Asm
-8	69G4188	2	C-Clip (PP)
-9	69G4188	3	Spring, Small Feed Roll (PP)
-10	69G4188	2	Screw, Paper Feed Motor Mounting (PP)
-11	70G0577	1	Exit Roller
-12	70G0579	1	Exit Drive Belt

Assembly 4: Electronics



Asm-Index	Part Number	Units	Description
4 -1	70G2695	1	System Board, W/O Code Module If code module in old board is labeled: 70G0830 through 70G0835; 70G0841 through 70G0845, 70G2562, 70G2587, 70G2598, 70G2599, order new code module 70G3000.
-2	70G0581	1	Power Supply with Ground Plane, Insulator, Cover
-3	1339526 1342514 1339520 1339520 1342514 1342514 1342534 1339526 1342534 1342514 1342514 1342514 1339525 1342514 1339519 1342514 1339520 1339520 1339520 1342514 1342514 1339521 1339524 1342514 1339520 1342514 1339520 1342514 1342536 1342514 1339517 1339523 1339520 1339520 1339522 1339519 1342536 1342514	1	Power Cord, U.S. Power Cord, Argentina Power Cord, Austria Power Cord, Belgium Power Cord, Bolivia Power Cord, Brazil (LV) Power Cord, Brazil (HV) Power Cord, Canada Power Cord, Chile Power Cord, Columbia Power Cord, Costa Rica Power Cord, Denmark Power Cord, Ecuador Power Cord, Egypt Power Cord, El Salvador Power Cord, Finland Power Cord, France Power Cord, Germany Power Cord, Guatemala Power Cord, Honduras Power Cord, Israel Power Cord, Italy Power Cord, Mexico Power Cord, Netherlands Power Cord, Nicaragua Power Cord, Norway Power Cord, Panama Power Cord, Paraguay Power Cord, Peru Power Cord, Saudi Arabia Power Cord, South Africa Power Cord, Spain Power Cord, Sweden Power Cord, Switzerland Power Cord, United Kingdom Power Cord, Uruguay Power Cord, Venezuela

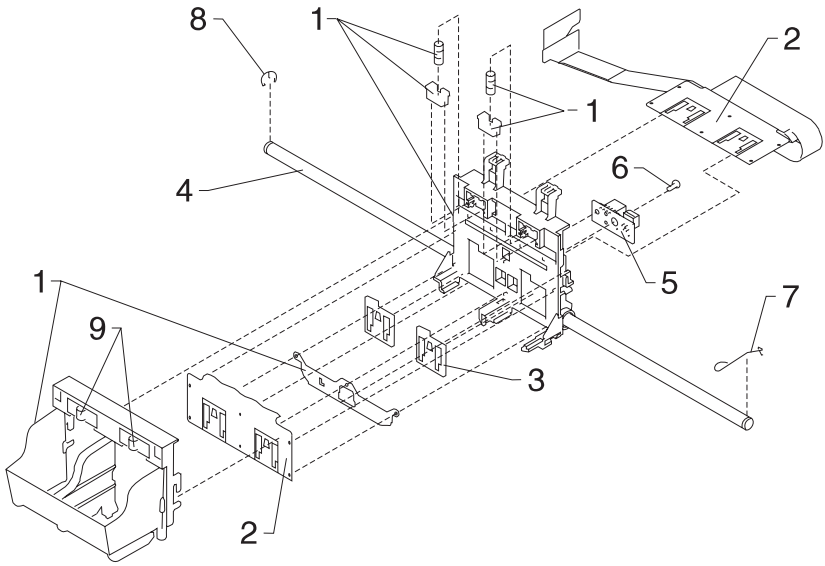
Assembly 4: Electronics (continued)



4090-001

Asm-Index	Part Number	Units	Description
4 -4	70G3000	1	Code Module
-5	69G4188	5	Screw, System Board Mounting (PP)
NS	69G4188	1	Screw, Ground Jumper Mounting (PP)
NS	69G4188	2	Jumper, 2-Pin (PP)

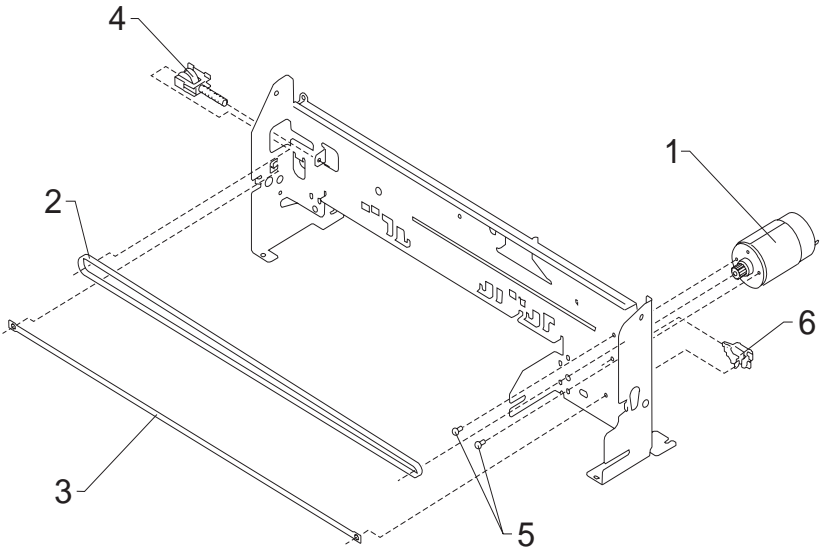
Assembly 5: Carrier



4090-001

Asm-Index	Part Number	Units	Description
5 -1	70G0585	1	Printhead Carrier B/M
-2	70G0586	1	Printhead Cable (Folded)
-3	70G0587	1	Rubber Backer
-4	69G4157	1	Carrier Guide Rod
-5	69G4156	1	Encoder Card Asm
-6	69G4188	1	Screw, Encoder Card Mounting (PP)
-7	69G4188	1	Retainer Right, Carrier Guide Rod (PP)
-8	69G4188	1	E-Ring, Carrier Guide Rod (PP)
-9	70G0588	1	Printhead Cartridge Interlock Key B/M

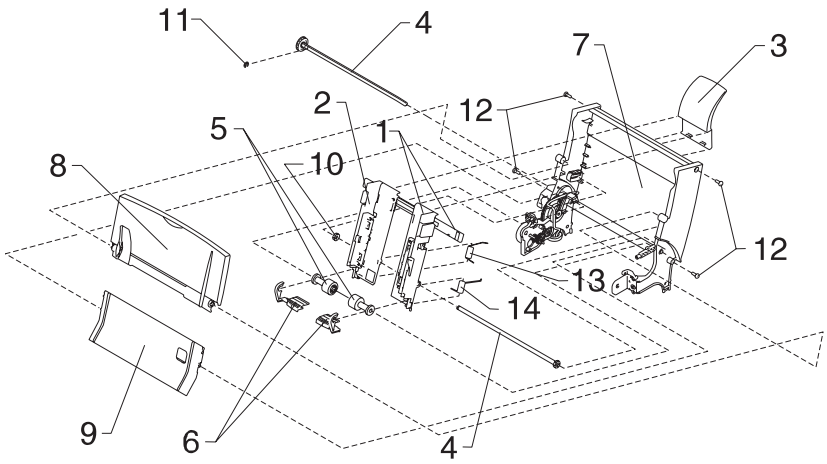
Assembly 6: Carrier Transport



4090-001

Asm-Index	Part Number	Units	Description
6 -1	69G4158	1	Carrier Transport Motor & Pulley
-2	69G4159	1	Carrier Belt
-3	69G4403	1	Encoder Strip
-4	69G4163	1	Idler Pulley Tension Asm
-5	69G4188	2	Screw, Carrier Transport Motor Mounting (PP)
-6	69G4188	1	Tensioner, Encoder Strip (PP)

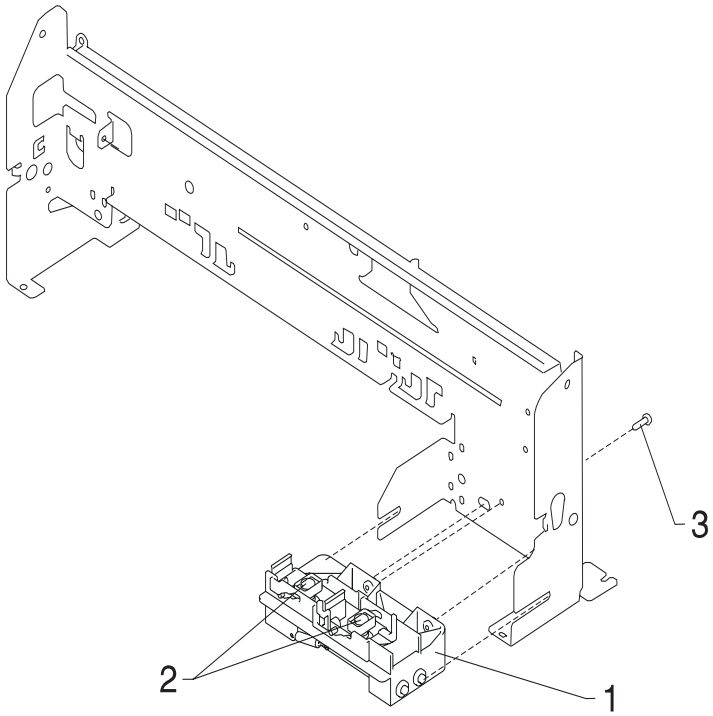
Assembly 7: Sheet Feeder



4090-001

Asm-Index	Part Number	Units	Description
7 -1	69G4166	1	Right Edge Guide & Width Adjust Strip
-2	69G4167	1	Left Edge Guide
-3	69G4131	1	Upper Paper Support
-4	1367469	1	Pick Roll & Paper Load Shaft B/M
-5	1367463	2	Pick Roll Hub Asm
-6	1367019	1	Envelope Buckler B/M, Left & Right
-7	69G4169	1	Back Plate
-8	69G4164	1	Paper Load Door Asm Includes Left Edge Guide
-9	69G4165	1	Manual Insert Tray
-10	69G4127	1	Gear, Paper Load (Gears B/M)
-11	69G4188	1	E-Ring (PP)
-12	69G4188	4	Screw, Side Frame (PP)
-13	69G4188	1	Spring, Left Paper Load (PP)
-14	69G4188	1	Spring, Right Paper Load (PP)

Assembly 8: Maintenance Station



4090-001

Asm-Index	Part number	Units	Description
8 -1	70G0589	1	Maintenance Station Asm
-2	70G0590	1	Wiper and Cap B/M (one of each)
-3	69G4188	1	Screw, Maintenance Station Mounting (PP)