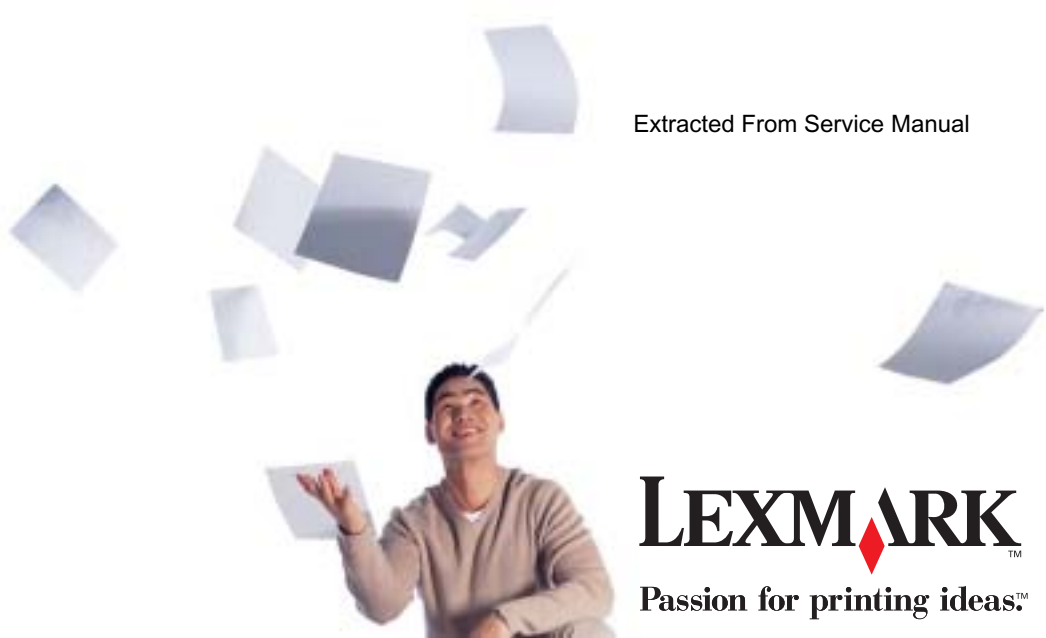


Parts Breakdown

Lexmark 3000 Color Jetprinter™

4095-001

Extracted From Service Manual



LEXMARK™
Passion for printing ideas.™

First Edition (June, 1997)

The following paragraph does not apply to any country where such provisions are inconsistent with local law: LEXMARK INTERNATIONAL, INC. PROVIDES THIS PUBLICATION "AS IS" WITHOUT WARRANTY OF ANY KIND, EITHER EXPRESS OR IMPLIED, INCLUDING, BUT NOT LIMITED TO, THE IMPLIED WARRANTIES OF MERCHANTABILITY OR FITNESS FOR A PARTICULAR PURPOSE. Some states do not allow disclaimer of express or implied warranties in certain transactions, therefore, this statement may not apply to you.

This publication could include technical inaccuracies or typographical errors. Changes are periodically made to the information herein; these changes will be incorporated in later editions. Improvements or changes in the products or the programs described may be made at any time.

Publications are not stocked at the address given below; requests for publications should be made to your point of purchase.

A form for reader's comments is provided at the back of this publication. If the form has been removed, comments may be addressed to Lexmark International, Inc., Department D22A/035-3, 740 New Circle Road N.W., Lexington, Kentucky 40550, U.S.A. In the United Kingdom and Eire, send to Lexmark International Ltd., Marketing and Services Department, Westhorpe House, Westhorpe, Marlow Bucks SL7 3RQ. Lexmark may use or distribute any of the information you supply in any way it believes appropriate without incurring any obligation to you. If your printer has broken or missing parts, or if you are missing publications, call 1-800-4LEXBMP. In other countries, contact your point of purchase. You can obtain additional copies of publications related to this product by calling 1-800-553-9727. In the United Kingdom and Eire, call 0628-481500. In other countries, contact your point of purchase.

Lexmark is a trademark of Lexmark International, Inc., registered in the United States and/or other countries. Other trademarks are the property of their respective owners.

© Copyright Lexmark International, Inc. 1997. All Rights Reserved.

UNITED STATES GOVERNMENT RESTRICTED RIGHTS

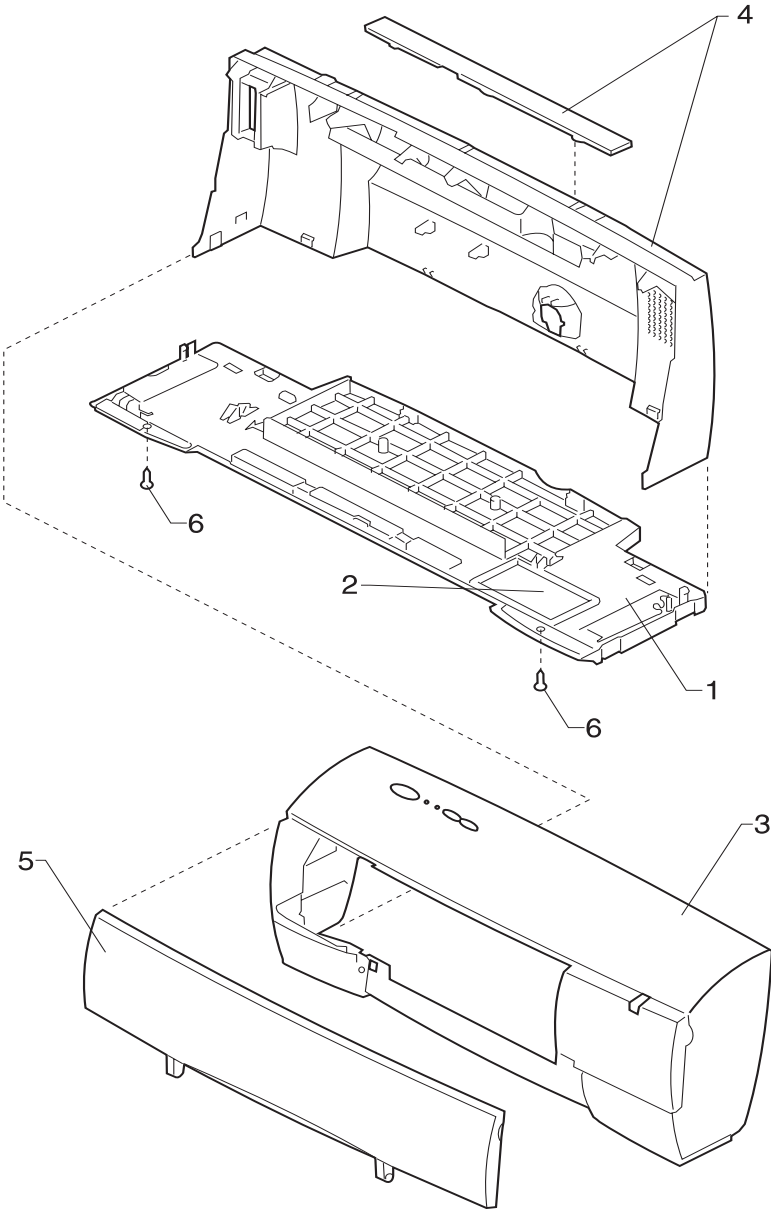
This software and documentation are provided with RESTRICTED RIGHTS. Use, duplication or disclosure by the Government is subject to restrictions as set forth in subparagraph (c)(1)(ii) of the Rights in Technical Data and Computer Software clause at DFARS 252.227-7013 and in applicable FAR provisions: Lexmark International, Inc., Lexington, KY 40550.

7. Parts Catalog

How to Use This Parts Catalog

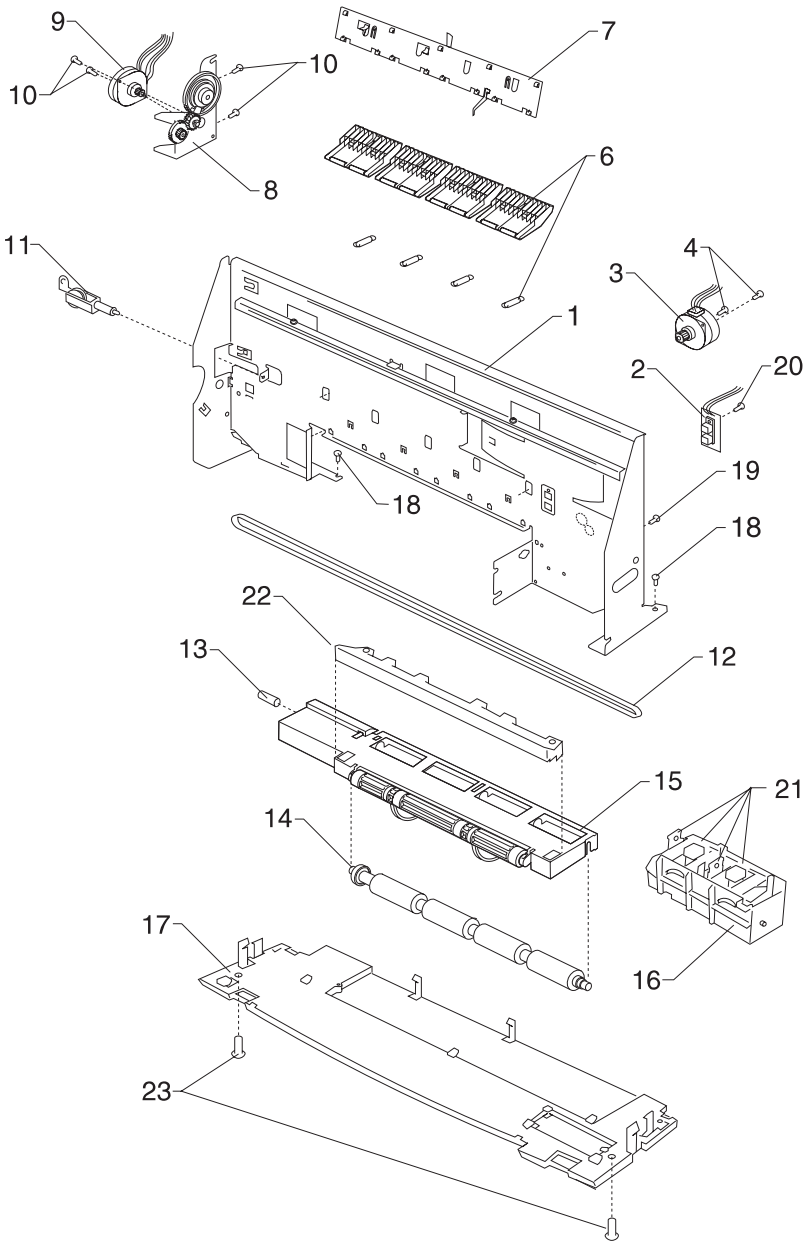
- **SIMILAR ASSEMBLIES:** If two assemblies contain a majority of identical parts, they are broken down on the same list. Common parts are shown by one index number. Parts peculiar to one or the other of the assemblies are listed separately and identified by description.
- **NS: (Not Shown)** in the Asm-Index column indicates that the part is procurable but is not pictured in the illustration.
- **PP:** in the parts description column indicates the part is available in the listed parts packet.

Assembly 1: Covers



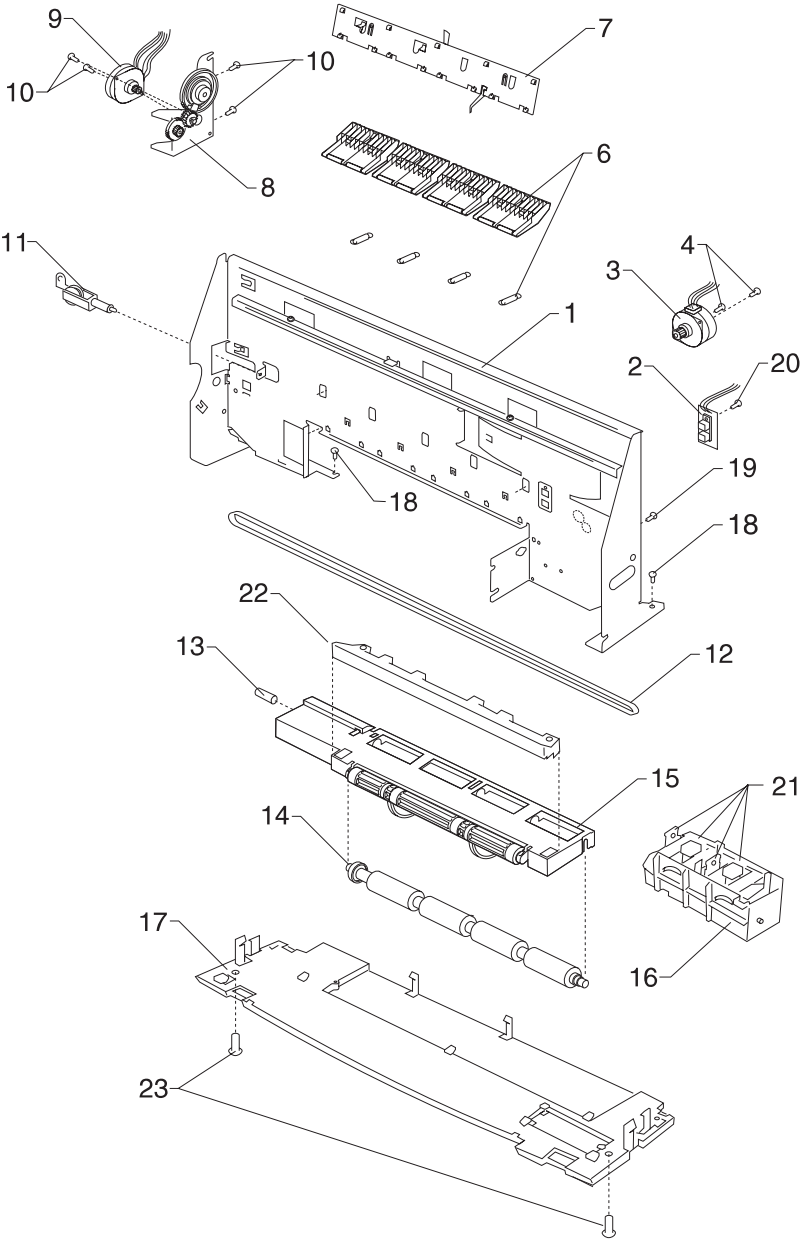
Asm-Index	Part Number	Units	Description
1 -1	11B5741	1	Base Assembly
2	11A5431	1	Felt Pad, Ink Absorption
3	11B5742	1	Cover, Front Assembly and Paper Scale
4	11B5743	1	Cover, Rear Assembly
5	11B5744	1	Cover, Access Assembly
6	11B5600	2	Front Cover Mounting Screws (PP)
N/S	7349474	1	Replaceable Package B/M - Includes: (Carton, Cushion Set, Sealing Tape)

Assembly 2: Paper Feed / Carrier Transport / Maintenance



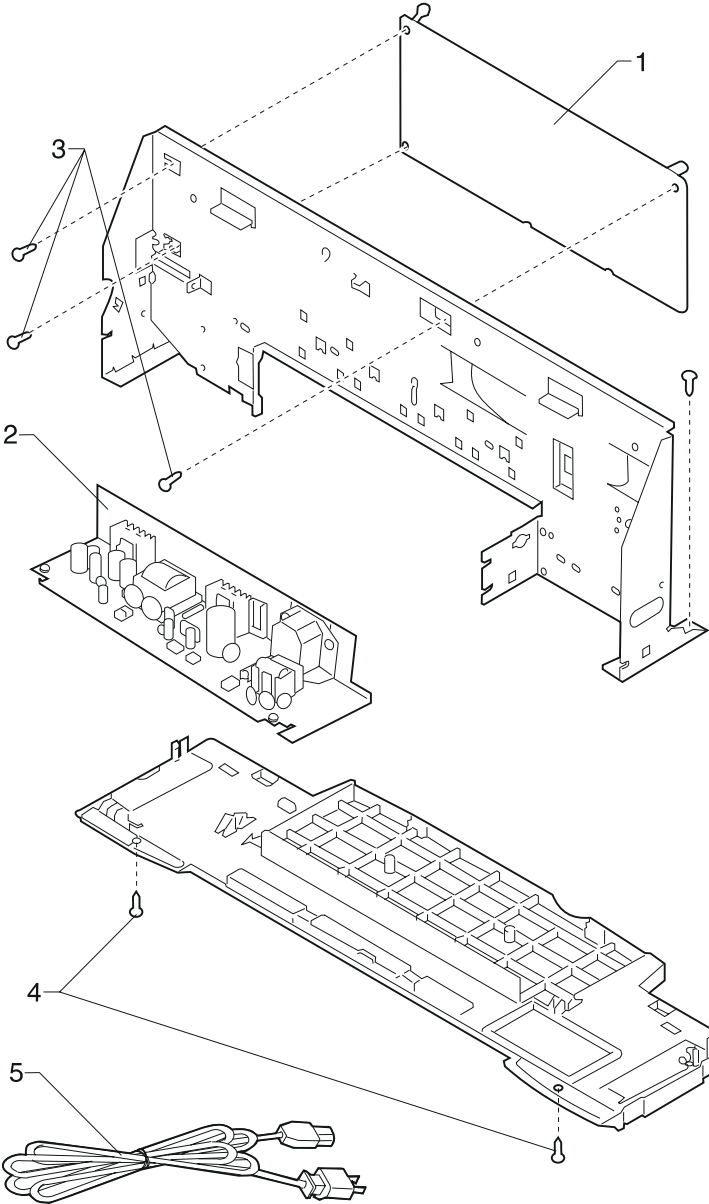
Asm-Index	Part Number	Units	Description
2 -1	11B5584	1	Frame, Carrier with cable guide system board stand off.
2	11B5586	1	Sensor, Carrier Home
3	11B5598	1	Motor, Carrier Transport Assembly
4	11B5600	2	Screw, (PP)
6	11B5601	1	Feed Roll Assembly, Small and Spring
7	11B5589	1	Mounting Bracket, Small Feed Roll Assembly
8	11B5590	1	Drive Train Assembly
9	11B5738	1	Motor, Paper Feed Assembly
10	11B5600	5	Screws, Paper Feed Motor Mounting (PP)
11	11B5588	1	Arm, Tensioner
12	11B5597	1	Belt, Carrier
13	11B5600	1	Spring, Large Feed Roll Dampening (PP)
14	11A5440	1	Feed Roll Assembly, Large
15	11B5587	1	Frame, Mid Assembly
16	11B5599	1	Maintenance Station Assembly
17	11B5741	1	Base Assembly

Assembly 2: Paper Feed / Carrier Transport / Maintenance



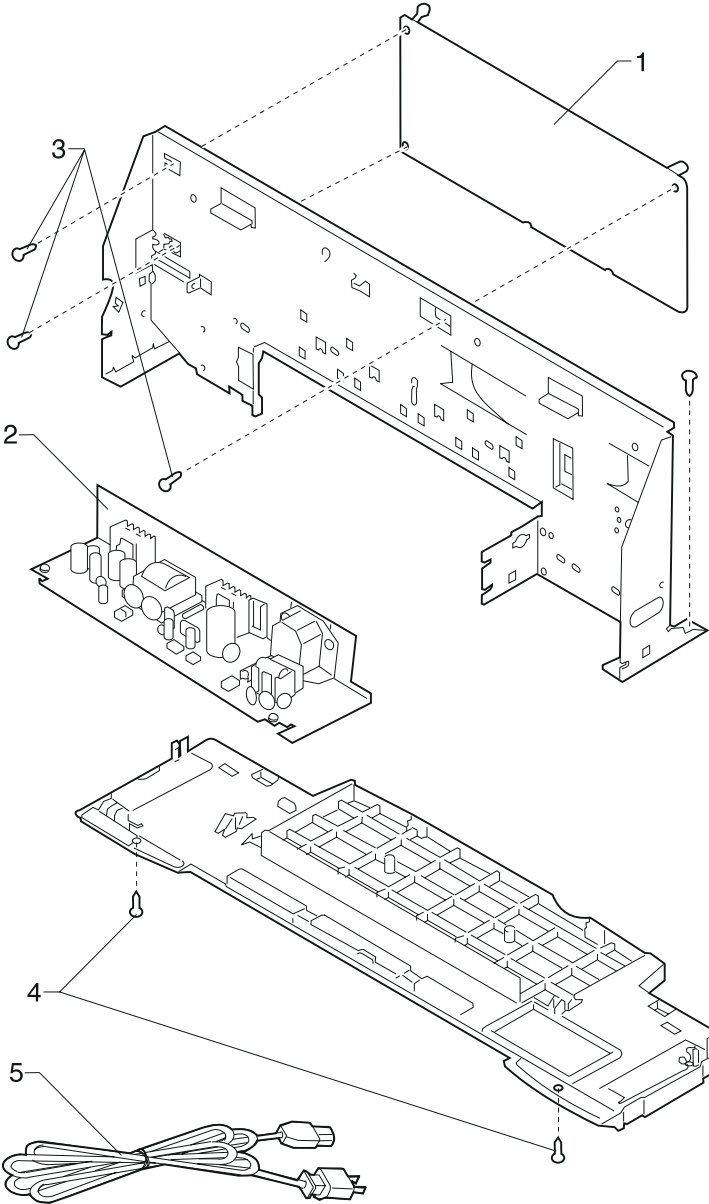
Asm-Index	Part Number	Units	Description
2- 18	11B5600	2	Screw, (PP)
19	11B5600	1	Screw, (PP)
20	11B5600	1	Screw, (PP)
21	1367389	1	Cap and Wiper B/M (One of each)
22	11B5595	1	Star Roller Asm
23	11B5600	2	Screw (PP)
NS	11B5600	2	Bearings, Large Feed Roll (PP)
NS	11B5600	2	Screws, Star Roller Assembly Mounting (PP)

Assembly 3: Electronics



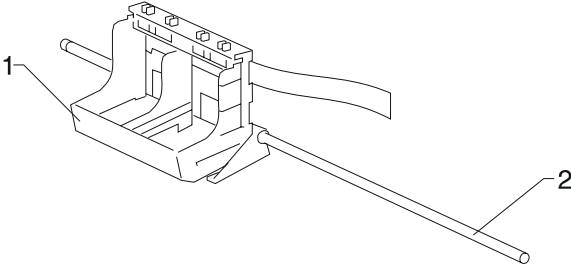
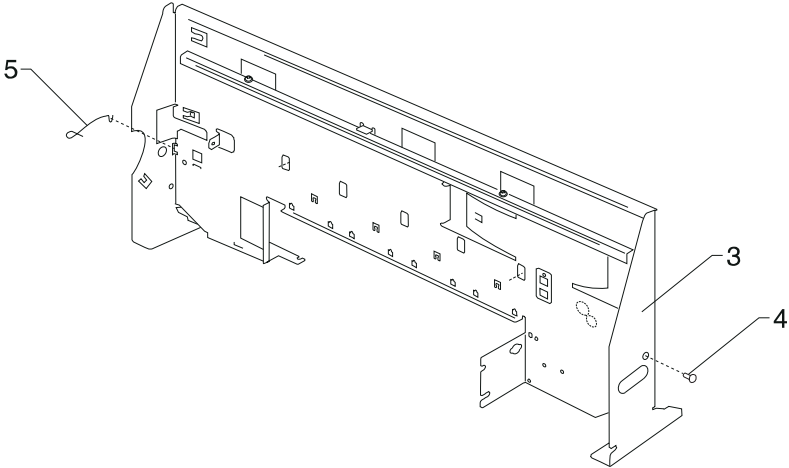
Asm-Index	Part Number	Units	Description
3 -1	11B5745	1	System Board with ROM
2	11B5746	1	Power Supply
3	11B5600	3	Screws, System Board (PP)
4	11B5600	2	Screws, Base Asm (PP)
NS	11B5602	1	Cable, Parallel Port

Assembly 3: Electronics (Continued)



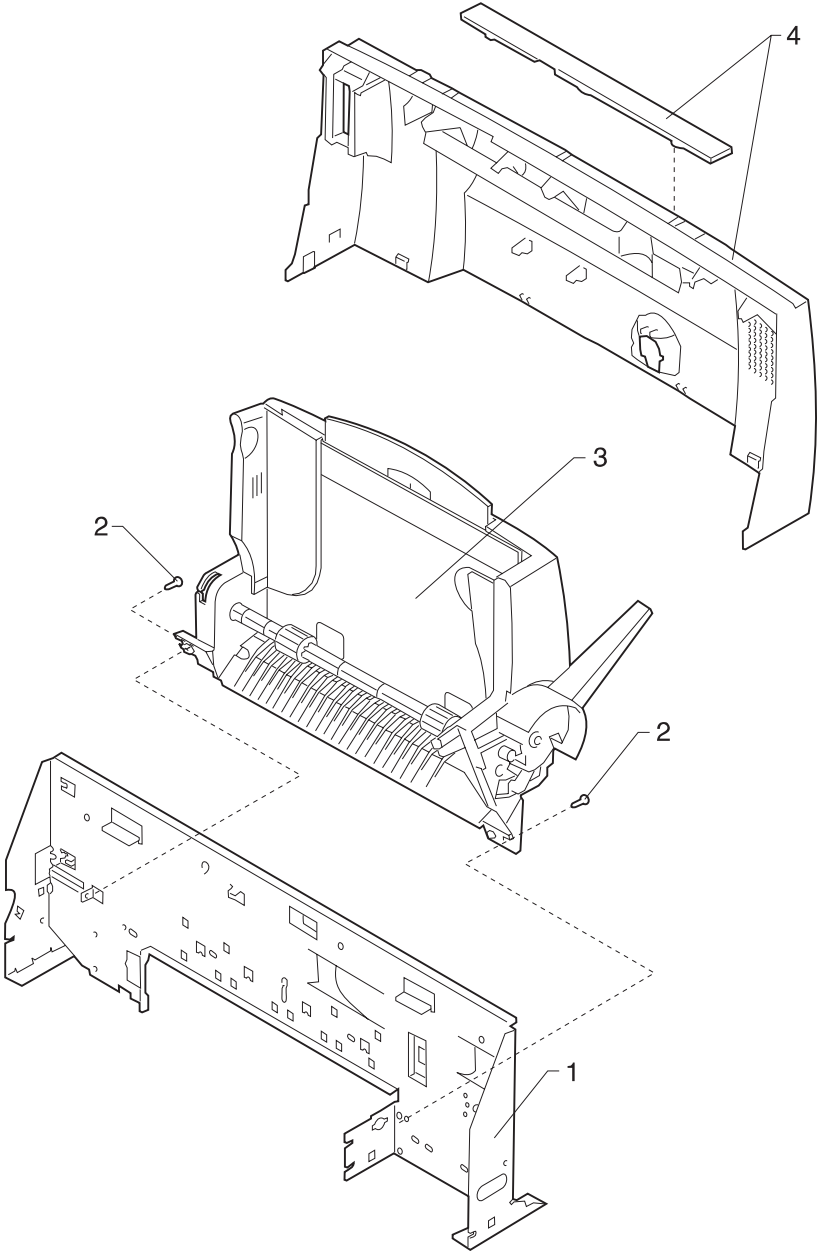
Asm-Index	Part Number	Units	Description
3 - 5	1339526	1	Power Cord, U.S.
	1342536		Power Cord, Argentina
	1339520		Power Cord, Austria
	1339520		Power Cord, Belgium
	1342514		Power Cord, Bolivia
	1342526		Power Cord, Brazil (LV)
	1342536		Power Cord, Brazil (HV)
	1339526		Power Cord, Canada
	1342534		Power Cord, Chile
	1342514		Power Cord, Columbia
	1342514		Power Cord, Costa Rica
	1339525		Power Cord, Denmark
	1342514		Power Cord, Ecuador
	1339519		Power Cord, Egypt
	1342514		Power Cord, El Salvador
	1339520		Power Cord, Finland
	1339520		Power Cord, France
	1339520		Power Cord, Germany
	1342514		Power Cord, Guatemala
	1342514		Power Cord, Honduras
	1339521		Power Cord, Israel
	1339524		Power Cord, Italy
	70G0496		Power Cord, Japan
	1342514		Power Cord, Mexico
	1339520		Power Cord, Netherlands
	1342514		Power Cord, Nicaragua
	1339520		Power Cord, Norway
	1342514		Power Cord, Panama
	1342536		Power Cord, Paraguay
	1342514		Power Cord, Peru
	1339520		Power Cord, Portugal
	1339517		Power Cord, Saudi Arabia
	1339523		Power Cord, South Africa
	1339520		Power Cord, Spain
1339520	Power Cord, Sweden		
1339522	Power Cord, Switzerland		
1339519	Power Cord, United Kingdom		
1342536	Power Cord, Uruguay		
1342514	Power Cord, Venezuela		

Assembly 4: Carrier



Asm-Index	Part Number	Units	Description
4 -1	11B5596	1	Carrier Assembly
2	11B5585	1	Rod, Carrier Guide
3	11B5584	1	Frame, Carrier
4	11B5600	1	Screw, Carrier Guide Rod (PP)
5	11B5600	1	Spring, Carrier Guide Rod (PP)

Assembly 5: Sheet Feeder



Asm-Index	Part Number	Units	Description
5 -1	11B5584	1	Frame, Carrier
2	11B5600	2	Screws, Sheet Feeder Mounting (PP)
3	11B5747	1	Sheet Feeder Asm
4	11B5743	1	Cover, Rear Asm