



Service Manual

**Lexmark™ 310 Series
Photo Jetprinter™**

4300-XXX

- ***Table of Contents***
- ***Start Diagnostics***
- ***Safety and Notices***
- ***Trademarks***
- ***Index***

LEXMARK™

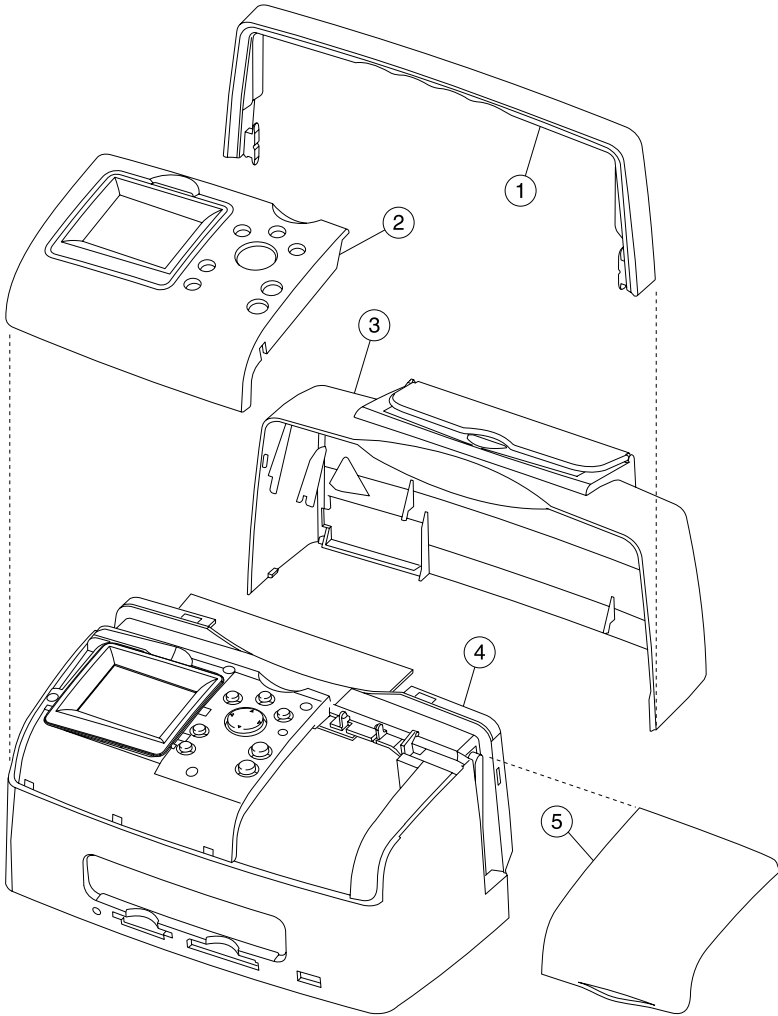
Lexmark and Lexmark with diamond design are trademarks of Lexmark International, Inc., registered in the United States and/or other countries.

7. Parts catalog

How to use the parts catalog

- **SIMILAR ASSEMBLIES:** If two assemblies contain a majority of identical parts, they are shown on the same list. Common parts are shown by one index number. Parts pertaining to one of the other assemblies are listed separately and identified by description.
- **NS: (Not Shown)** in the Asm-Index column indicates that the part is procurable but is not shown in the illustration.

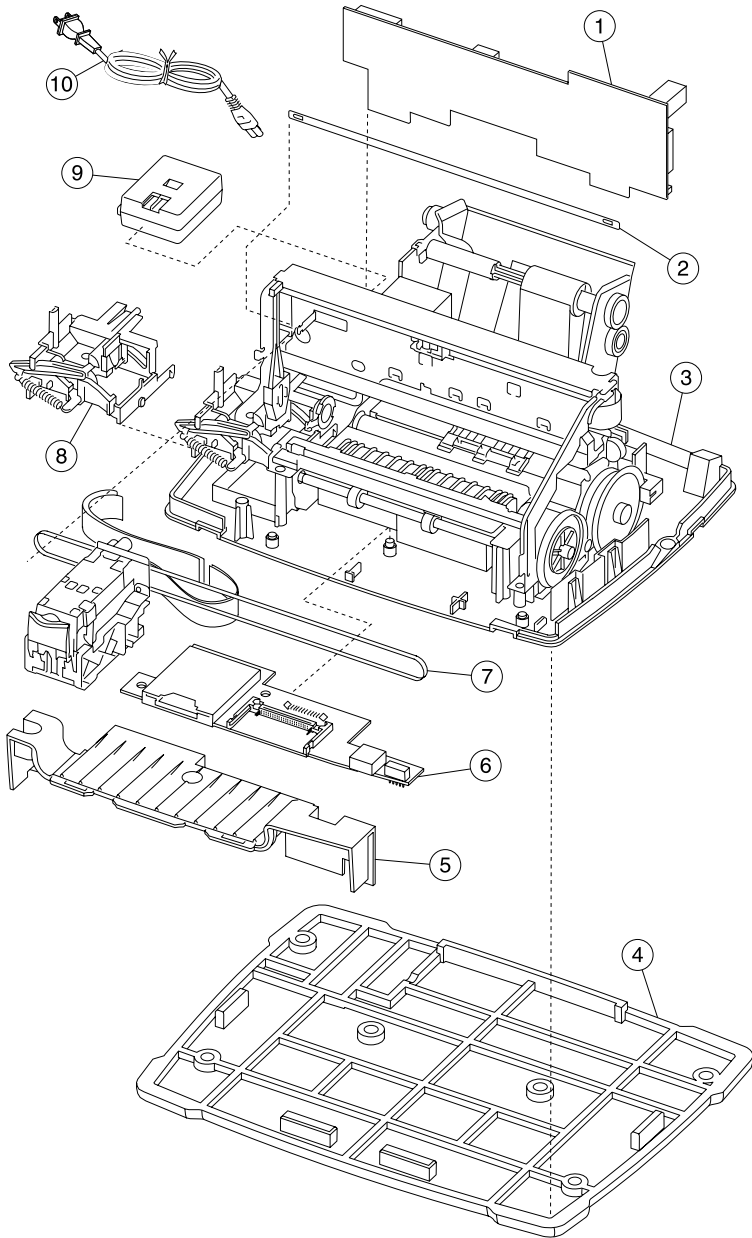
Assembly 1: Covers



Assembly 1: Covers

Asm-Index	Part Number	Units	Description
1-1	56P3111	1	Handle, printer (001, J01)
2	56P3112	1	Cover, control panel Dutch (001)
2	56P3113	1	Cover, control panel English (001)
2	56P3114	1	Cover, control panel French (001)
2	56P3115	1	Cover, control panel German (001)
2	56P3116	1	Cover, control panel Greek (001)
2	56P3117	1	Cover, control panel Italian (001)
2	56P3118	1	Cover, control panel Japanese (001, J01)
2	56P3119	1	Cover, control panel Korean (001)
2	56P3120	1	Cover, control panel Polish (001)
2	56P3121	1	Cover, control panel Port/Braz (001)
2	56P3122	1	Cover, control panel S. Chinese (001)
2	56P3123	1	Cover, control panel Spanish (001)
2	56P3124	1	Cover, control panel T. Chinese (001)
2	56P3125	1	Cover, control panel Euro. Port (001)
2	56P3126	1	Cover, control panel Russian (001)
3	56P3108	1	Cover, rear with card support (001)
3	56P3824	1	Cover, rear with card support (J01)
4	56P3107	1	Cover, front assembly with LCD and card, control panel button card (001, J01)
5	56P3105	1	Door, P315 cartridge access (001, J01)

Assembly 2: Electronics/carrier transport



Assembly 2: Electronics

Asm-Index	Part Number	Units	Description
2-1	56P3101	1	Board, system (001)
1	56P3823	1	Board, system (J01)
2	56P3103	1	Strip, encoder (001, J01)
3	56P3109	1	Cover, base with print engine assembly (001)
3	56P3825	1	Cover, base with print engine assembly (J01)
4	56P3110	1	Base, rubber (001, J01)
5	56P3106	1	Guide, photo exit (001, J01)
6	56P3102	1	Reader, memory card (001, J01)
7	56P3100	1	Carrier, complete with belt and cable (001, J01)
8	56P3104	1	Station, maintenance (001, J01)
9	56P2560	1	Power supply 15 W universal (001, J01)
10	14D0630	1	Cord, Line US ET AL (001)
NS	11B6073	1	Cord, Line United Kingdom (001)
NS	11B6074	1	Cord, Line Europe (001)
NS	11B6075	1	Cord, Line Israel (001)
NS	11B6076	1	Cord, Line Australia/New Zealand (001)
NS	14D0630	1	Cord, Line South Africa (001)
NS	56P3128	1	Cord, Line Japan (J01)
NS	14D0632	1	Cord, Line PR of China (001)
NS	56P3129	1	Cord, Line Argentina (001)
NS	56P3130	1	Cord, Line India (001)
NS	56P1040	1	Cord, Line Brazil (001)
NS	56P3131	1	Cord, Line Korea (001)
NS	56P3132	1	Cord, Line Taiwan (001)
NS	7373899	1	Plain package B/M includes carton, cushion set, and sealing tape (001)
NS	7374266	1	Plain package B/M includes carton, cushion set, and sealing tape (J01)