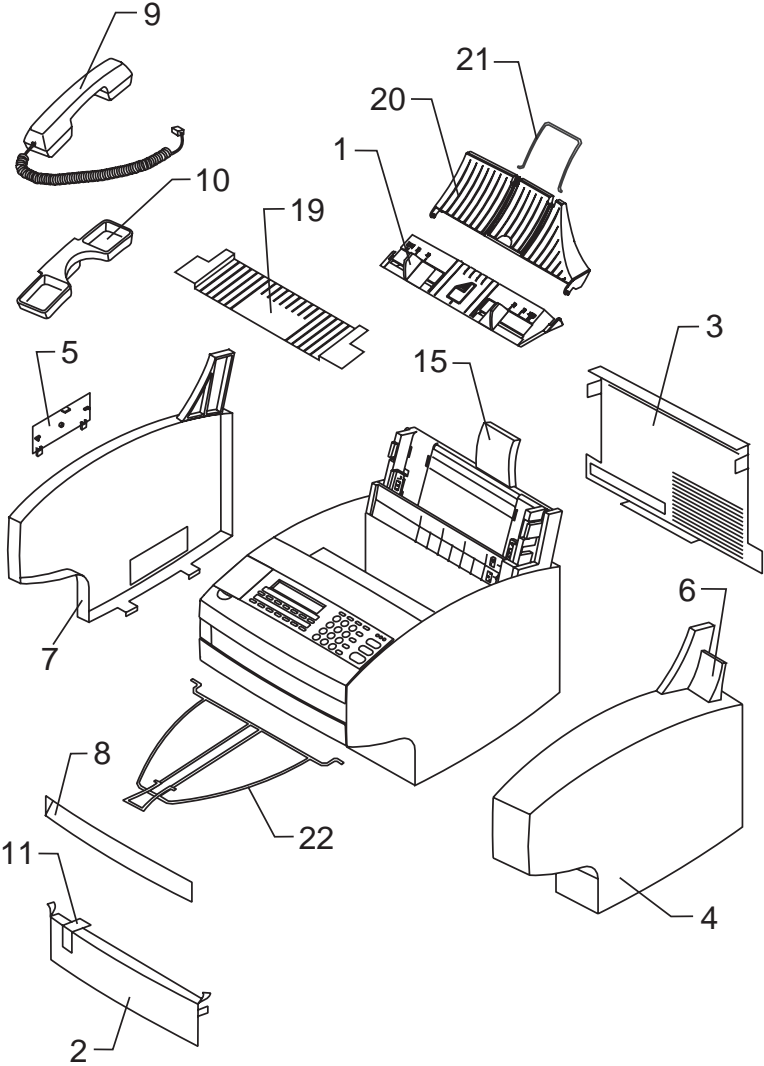


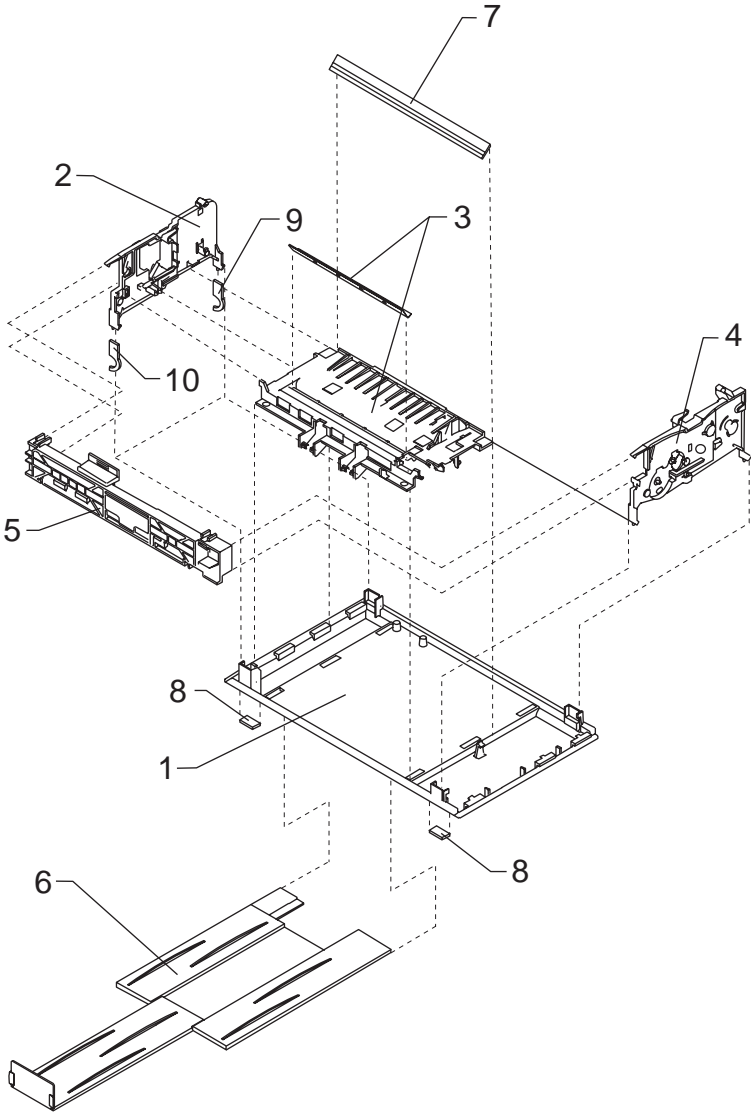
Assembly 1: Covers



4012-0XX

	Description	4012-005 P/N	4012-006 4012-009 P/N
1	Top Cover Asm w/guides	69G6828	69G6828
2	Front Cover	69G6875	69G6875
3	Rear Cover	69G6874	69G6874
4	Right Side Cover	69G6869	69G6869
NS	Screw, Right Side Cover PP 69G6846		
5	Memory/Battery Access Door	69G6899	69G6899
6	Paper Load Lever	69G6888	69G6888
7	Left Side Cover	69G6870	69G6893
NS	Screw, Left Side Cover PP 69G6846		
8	Bezel, front	69G6861	69G6861
9	Handset w/Cable	N/A	69G6822
10	Cradle, Handset	N/A	69G6894
NS	Screw, Cradle Mounting PP 69G6846		
11	Left output Guide	1367493	1367493
15	Extender, Input Tray, Printer	69G6890	69G6890
19	Panel, Scan Input Tray	69G6889	69G6889
20	Tray, Scan Input	69G6891	69G6891
21	Extender, Scan Input Tray	69G6871	69G6871
22	Tray, Scanner Output	69G6830	69G6830

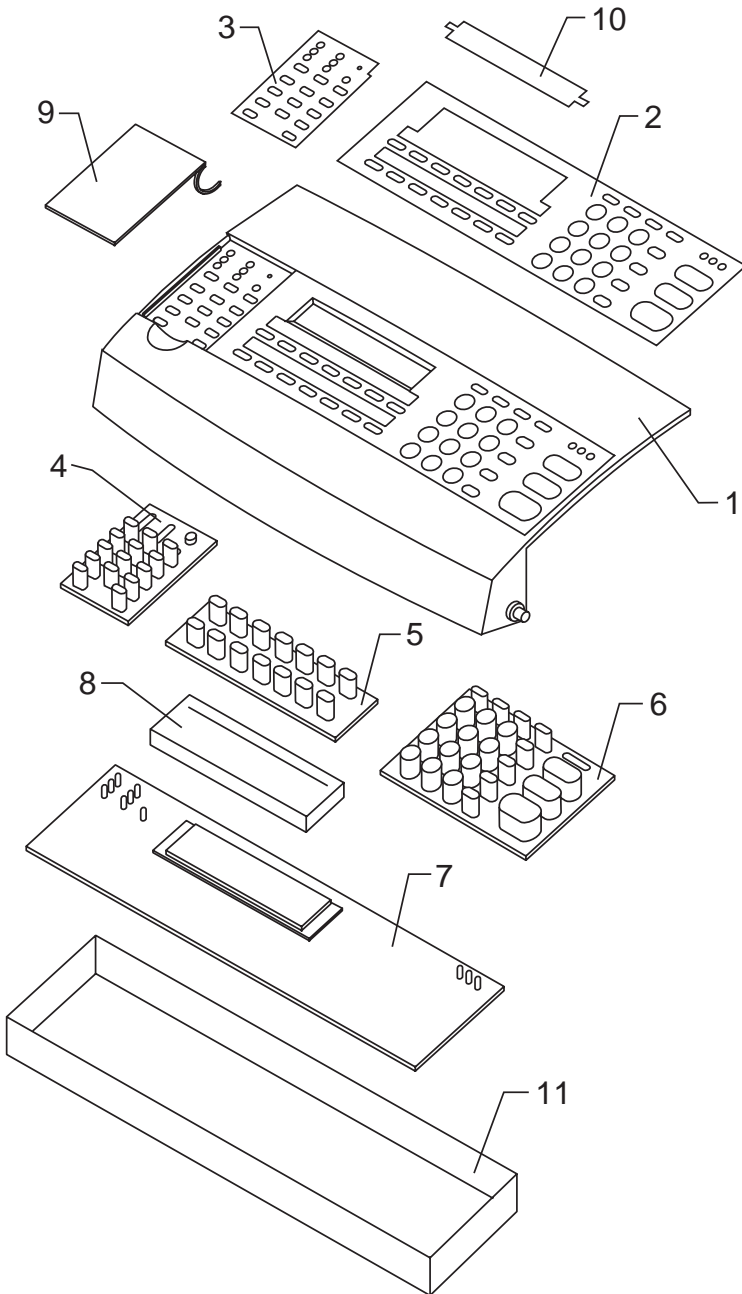
Assembly 2: Frame



4012-0XX

	Description	4012-005 P/N	4012-006 4012-009 P/N
1	Base Asm	69G6900	69G6900
2	Left Side Frame	1367209	1367209
3	Middle Frame Asm	1367219	1367219
4	Right Side Frame	1367229	1367229
5	Carrier Transport Motor Frame	1367309	1367309
6	Exit Tray Asm	69G6824	69G6824
7	Carrier Guide	1367079	1367079
8	Foot	69G6860	69G6860
9	Leg, left Rear	69G6882	69G6882
10	Leg, left Front	69G6883	69G6883

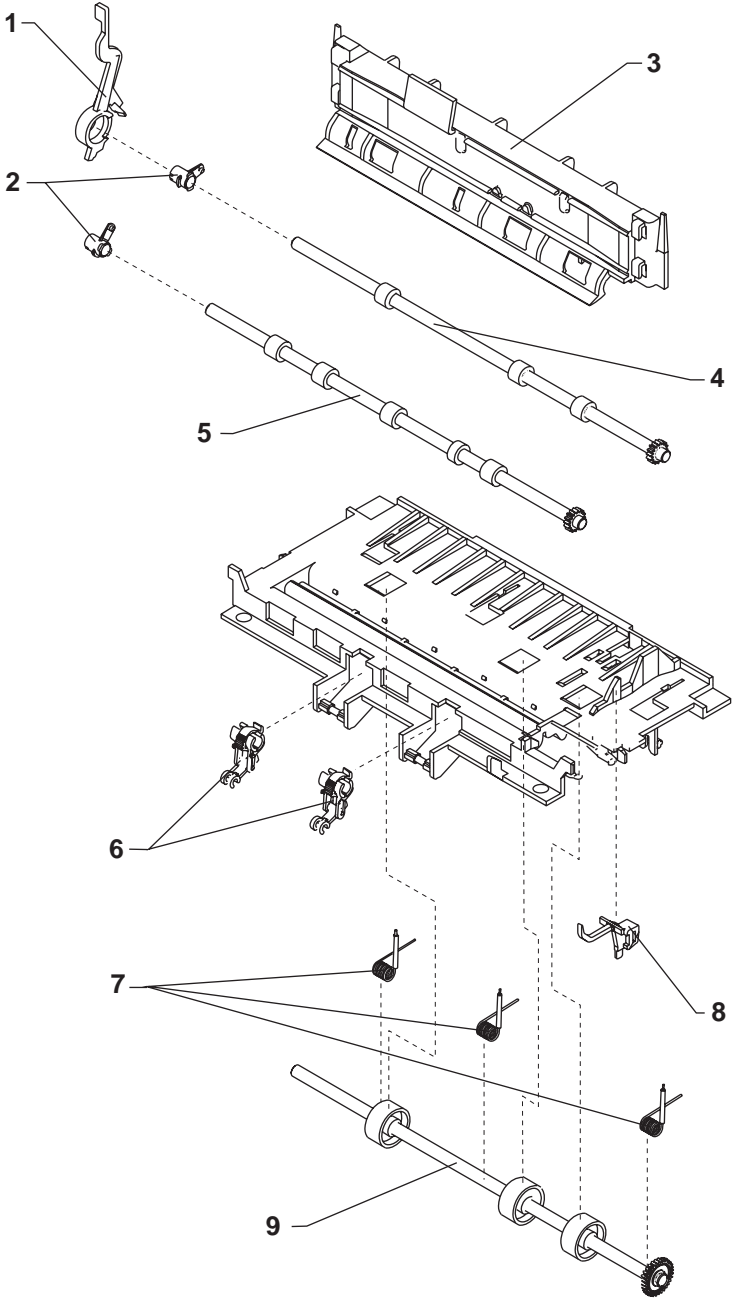
Assembly 3: Operator Panel



4012-0XX

	Description	4012-005 P/N	4012-006 4012-009 P/N
1	Operator Panel Cover	69G6901	69G6902
1	Operator Panel Cover 4012-009		69G6905
2	Overlay, Operator Panel	69G6885	69G6886
3	Overlay, Sm Operator Panel	69G6897	69G6898
NS	Shield, Reset Button PP 69G6846		
4	Keypad, Left	69G6896	69G6896
5	Keypad, Center	69G6895	69G6895
6	Keypad, Right	69G6884	69G6884
7	Operator Panel Board	69G6806	69G6806
8	Lens, Display	69G6831	69G6831
9	Door, Button	69G6887	69G6887
10	Shield, Directory PP 69G6846		
NS	Cable, Operator Panel Cable to Fax Board	69G6878	69G6878
11	Shield, EMC	69G6903	69G6903

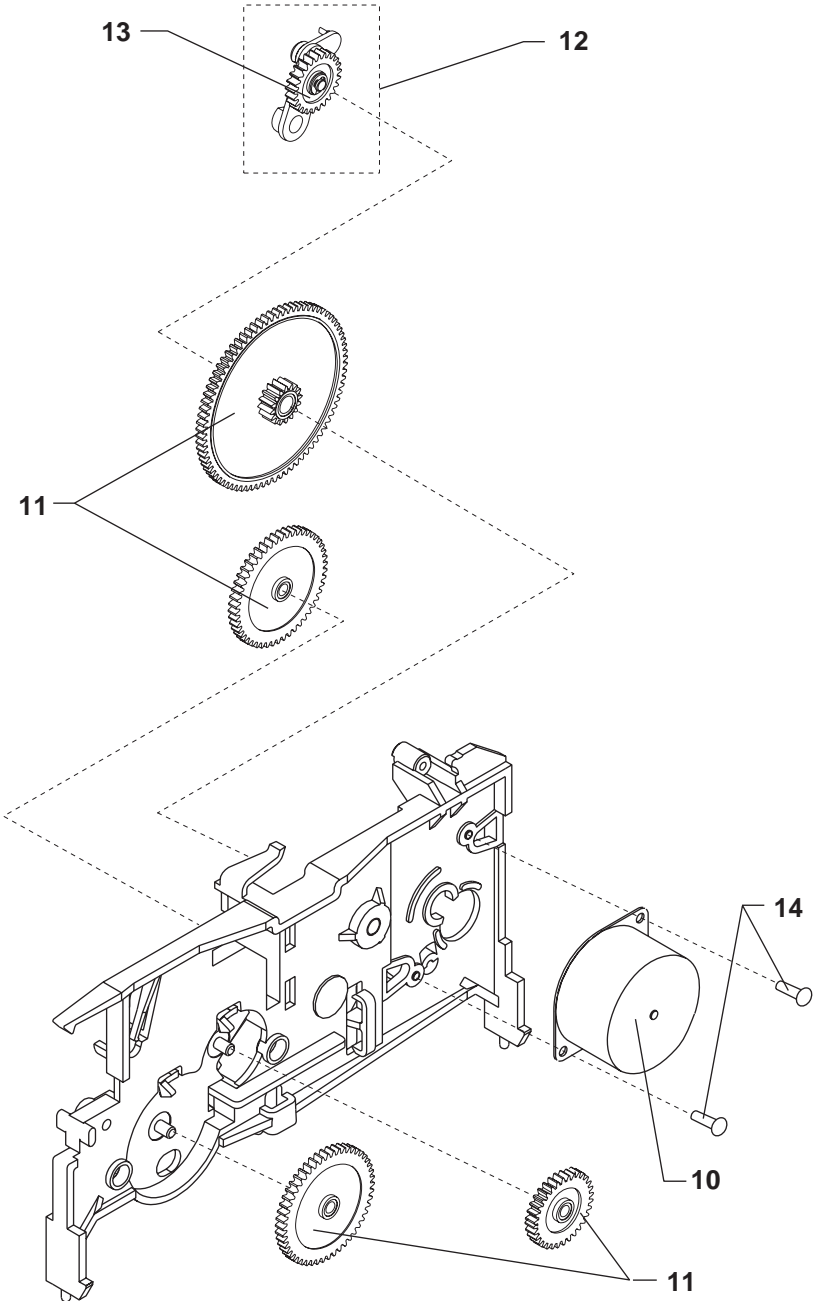
Assembly 4: Printer Paper Feed Assembly



4012-0XX

	Description	4012-005 P/N	4012-006 4012-009 P/N
1	Paper Release Lever	1367179	1367179
2	Bushing, PP 1367169		
3	Paper Guide	1367339	1367339
4	Small Feed Roller Asm	1367279	1367279
5	Exit Roller Asm	1367289	1367289
6	Ejector B/M	1367266	1367266
7	Spring, PP 1367169		
8	End-of-Form Flag	1367049	1367049
9	Large Feed Roller Asm	1367269	1367269

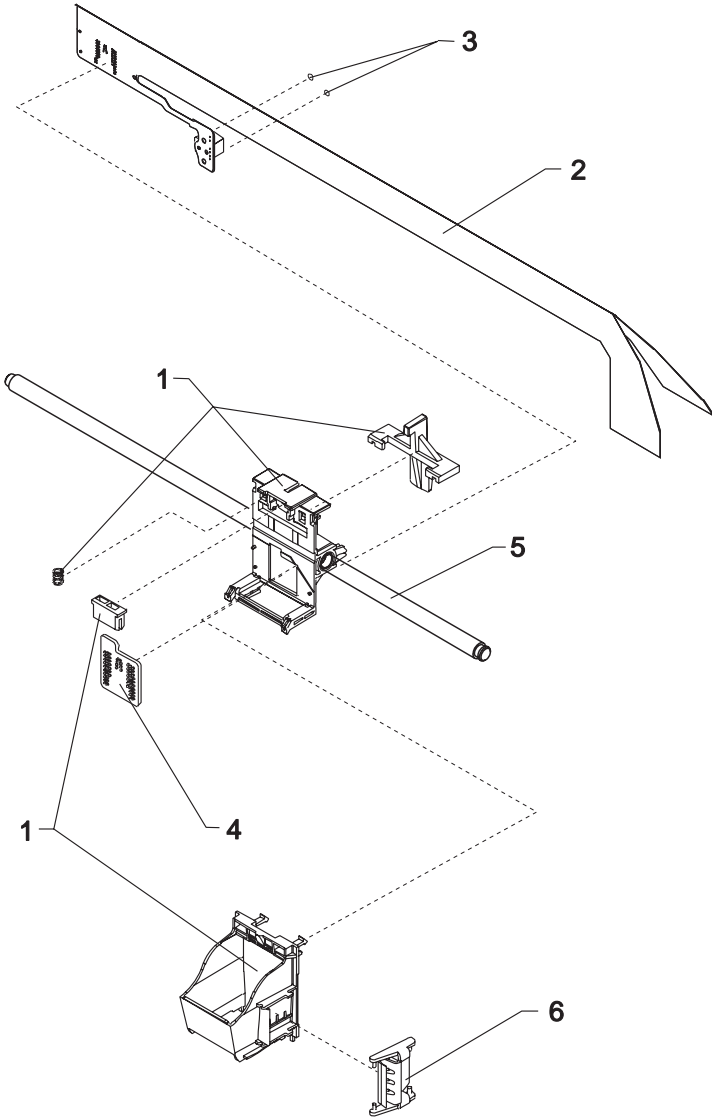
Assembly 4: Printer Paper Feed Assembly (cont.)



4012-0XX

	Description	4012-005 P/N	4012-006 4012-009 P/N
10	Paper Feed Motor	1367239	1367239
NS	Toroid, Paper Feed Motor	1374338	1374338
11	Gears B/M	1367249	1367249
12	Feed Arm Asm	1367259	1367259
13	C-Clip, PP 1367169		
14	Screw, PP 1367169		

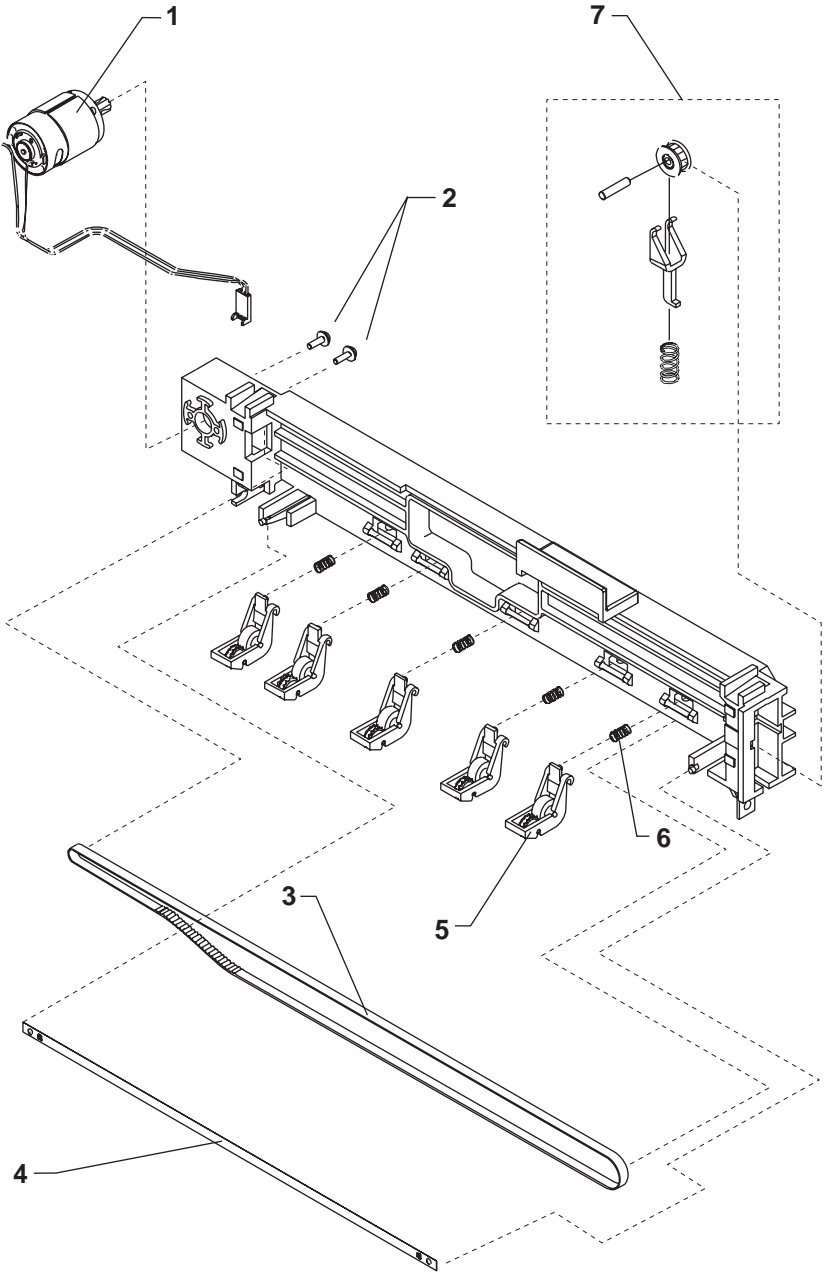
Assembly 5: Carrier



4012-0XX

	Description	4012-005 P/N	4012-006 4012-009 P/N
1	Carrier Asm	1367299	1367299
2	Printhead Cable	1367149	1367149
NS	Toroid, Printhead Cable	1374338	1374338
3	Screw, PP 1367169		
4	Rubber Backer	1367109	1367109
5	Carrier Guide Rod	1367089	1367089
6	Clip, PP 1367169		

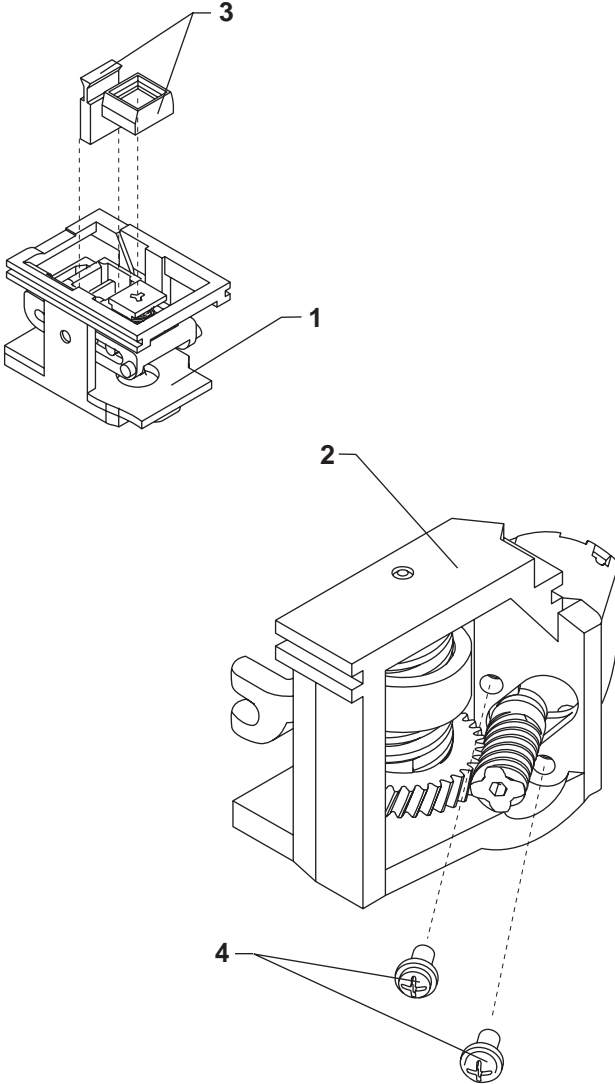
Assembly 6: Carrier Transport



4012-0XX

	Description	4012-005 P/N	4012-006 4012-009 P/N
1	Carrier Motor	1367319	1367319
2	Screw, PP 1367169		
3	Carrier Belt	1367359	1367359
4	Encoder Strip	1367379	1367379
5	Star Roller Asm	1425705	1425705
6	Spring PP 1367169		
7	Idler Pulley B/M	1367329	1367329

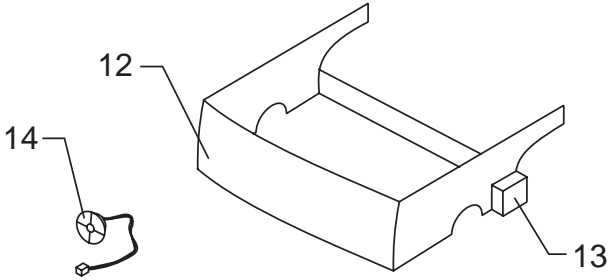
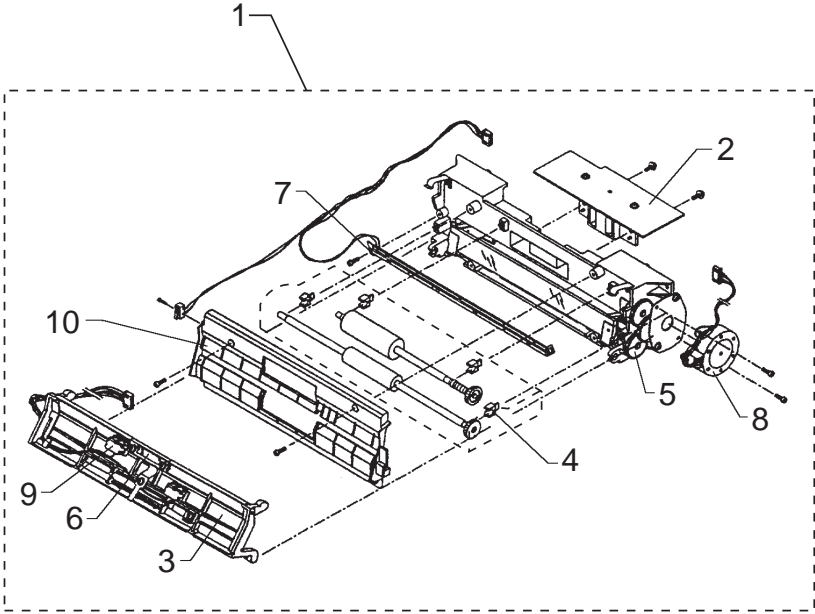
Assembly 7: Maintenance Station



4012-0XX

	Description	4012-005 P/N	4012-006 4012-009 P/N
1	Maintenance Station Rocker Asm	1425669	1425669
2	Maintenance Station Drive Asm	1367399	1367399
3	Wiper & Cap B/M	1367389	1367389
4	Screw PP 1367169		

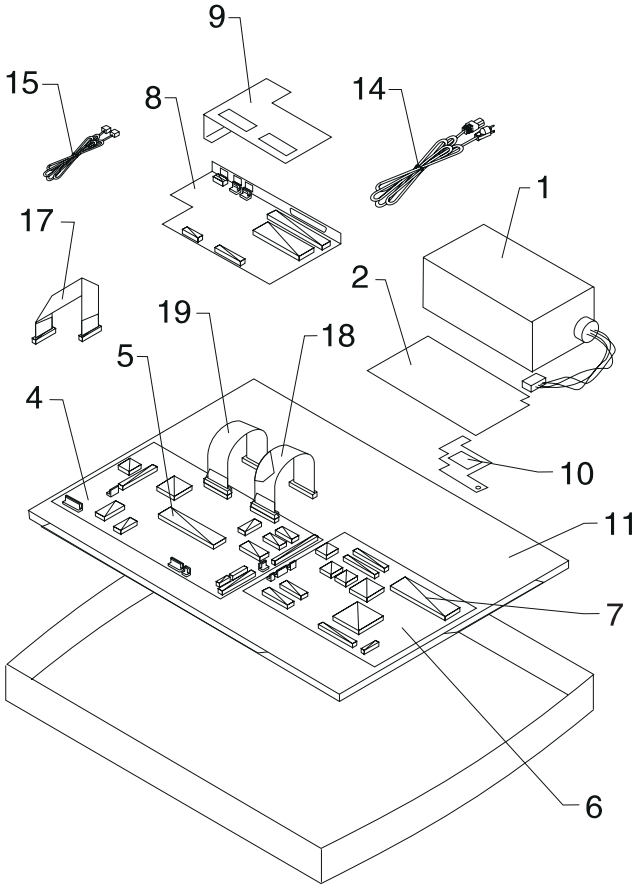
Assembly 8: Scanner



4012-0XX

	Description	4012-005 P/N	4012-006 4012-009 P/N
1	Scanner, Complete	69G6836	69G6836
2	CCD Asm.	69G6857	69G6857
3	Front Frame Asm	69G6843	69G6843
4	Feed Roller Kit	69G6840	69G6840
5	Gear Kit (3 Gears)	69G6844	69G6844
6	Pad Unit	69G6845	69G6845
7	LED/Frame Switch Asm.	69G6841	69G6841
8	Motor Assembly	69G6842	69G6842
9	L/P Sensor	69G6839	69G6839
NS	Screws, PP 69G6846		
10	Paper Path Cover	69G6855	69G6855
12	Subframe, Scanner	69G6833	69G6833
13	Cap & Bracket Asm	69G6835	69G6835
14	Speaker	69G6838	69G6838
NS	Jumper, Front Frame ESD Gnd.	69G6862	69G6862
NS	Shield, Scanner	69G6863	69G6863

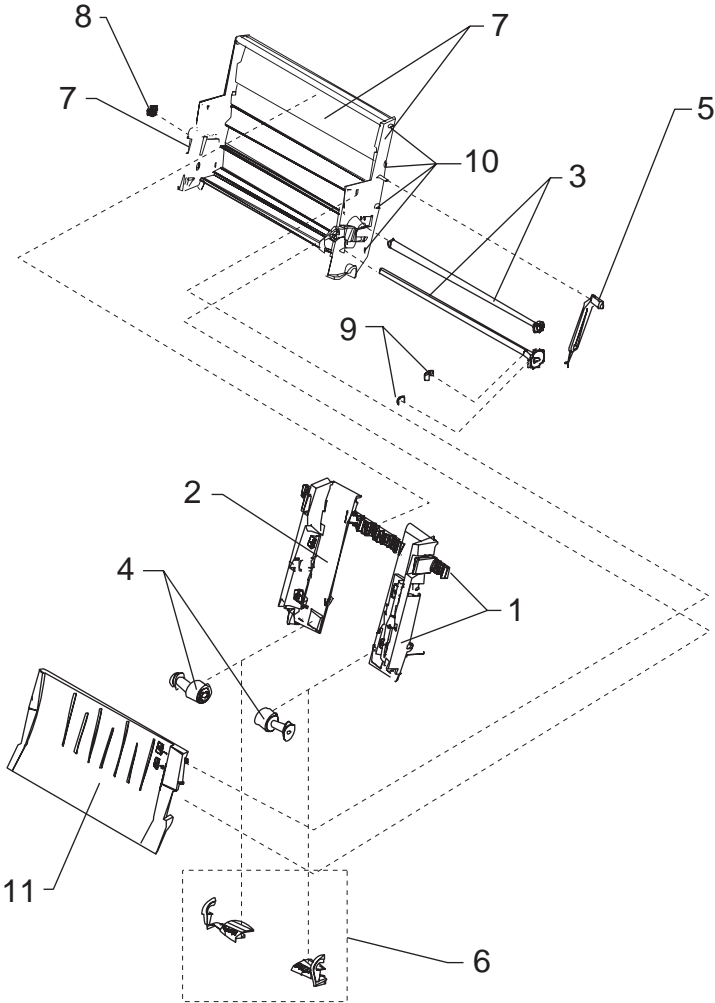
Assembly 9: Electronics



4012-0XX

	Description	4012-005 P/N	4012-006 4012-009 P/N
1	Power Supply	69G6805	69G6805
2	PS Insulator	69G6879	69G6879
NS	Screw, PS Mounting	1624852	1624852
4	Fax Card, W/O EPROM	69G6800	69G6800
5	EPROM, Fax Card	69G6810	69G6810
6	Printer Card, W/O EPROM	69G6802	69G6802
7	EPROM, Printer Card	1375418	1375418
8	LCU Card w/Bezel	69G6808	69G6801
9	Shield, LCU Card	69G6880	69G6880
10	Shield, Printer	69G6881	69G6881
11	Shield Asm, Bottom	69G6837	69G6837
14	Line Cord, U.S.	69G6868	69G6868
15	Cable, Telephone	69G6892	69G6892
NS	Toroid, Printer/Fax Cable	69G6906	69G6906
16	Cable, Printer to Fax	69G6872	69G6872
17	Cable, Scanner to Fax	69G6873	69G6873
18	Cable, Fax to LCU Digital	69G6876	69G6876
19	Cable, Fax to LCU Analog	69G6877	69G6877
NS	Jumper, Fax Card J9 PP 69G6846		

Assembly 10: Automatic Sheet Feed (ASF)



4012-0XX

	Description	4012-005 P/N	4012-006 4012-009P/N
1	R. Edge Guide & Strip	1425574	1425574
2	L. Edge Guide Asm	1425578	1425578
3	Pick Roll & Paper Load B/M	1367469	1367469
4	Pick Roll Hub Asm	1367463	1367463
5	Paper Load Arm	1425580	1425580
6	Envelope Buckler B/M	1367019	1367019
7	Side & Back Plate B/M	1425582	1425582
8	Gears, B/M	1367249	1367249
9	E-Ring, PP 1367169		
10	Screw, PP 1367169		
11	Manual Insert Tray, Printer	1425585	1425585

4012-0XX

Assembly 11: Options

	Description	4012-005 P/N	4012-006 4012-009 P/N
1	Memory Option, 1MB (2 modules)	69G6803	69G6803
2	Memory Option, 3MB (6 modules)	69G6804	69G6804
3	Battery Option	69G6807	69G6807
NS	Screw, Battery Mounting PP 69G6846		
4	Demo code ROM, 4012-011,4012-012	69G6811	69G6811