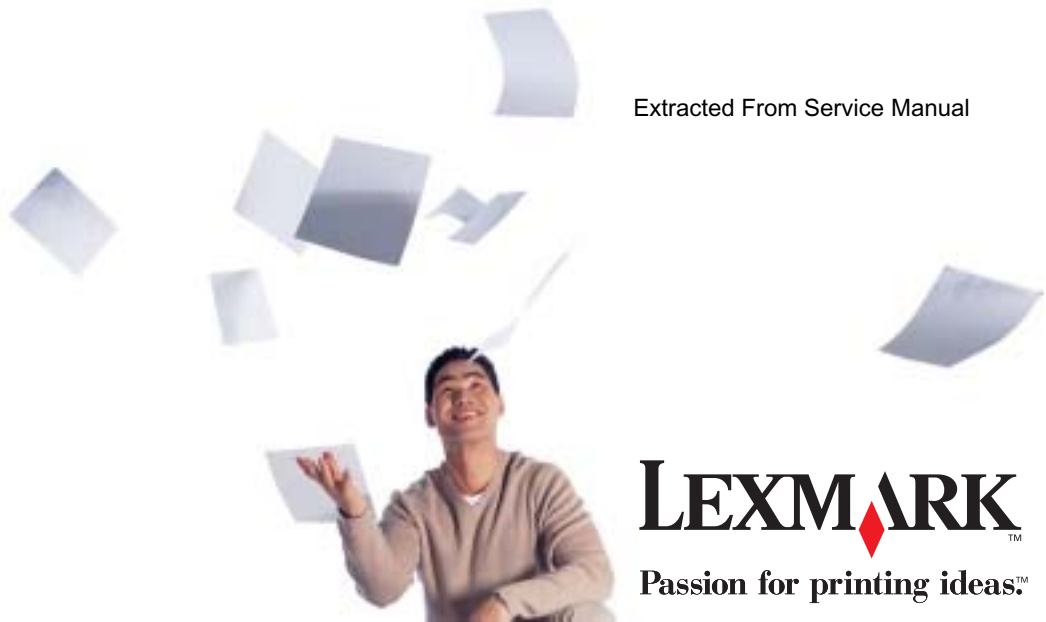


Parts Breakdown

WinWriter™ 150c

4077-001

Extracted From Service Manual



LEXMARK™

Passion for printing ideas.™

Third Edition (July, 1997)

The following paragraph does not apply to the United Kingdom or any country where such provisions are inconsistent with local law: **Lexmark International, Inc. Provides This Publication "As Is" Without Warranty Of Any Kind, Either Express Or Implied, Including, But Not Limited To, The Implied Warranties Of Merchantability Or Fitness For A Particular Purpose.** Some states do not allow disclaimer of express or implied warranties in certain transactions, therefore, this statement may not apply to you.

This publication could include technical inaccuracies or typographical errors. Changes are periodically made to the information herein; these changes will be incorporated in later editions of the publication. Improvements or changes in the products or the programs described in this publication may be made at any time. Publications are not stocked at the address given below; requests for publications should be made to your point of purchase.

Reader comments may be addressed to Lexmark International, Inc., Department D22A/035-3, 740 New Circle Road, Lexington, Kentucky 40550, U.S.A. Lexmark may use or distribute any of the information you supply in any way it believes appropriate without incurring any obligation to you.

Lexmark is a trademark of Lexmark International, Inc., registered in the United States and/or other countries. WinWriter is a trademark of Lexmark International, Inc.

© Copyright Lexmark International, Inc. 1995, 1997. All Rights Reserved.

UNITED STATES GOVERNMENT RESTRICTED RIGHTS

This software and documentation are provided with RESTRICTED RIGHTS. Use, duplication or disclosure by the Government is subject to restrictions as set forth in subparagraph (c)(1)(ii) of the Rights in Technical Data and Computer Software clause at DFARS 252.227-7013 and in applicable FAR provisions:
Lexmark International, Inc., Lexington, KY 40550 USA.

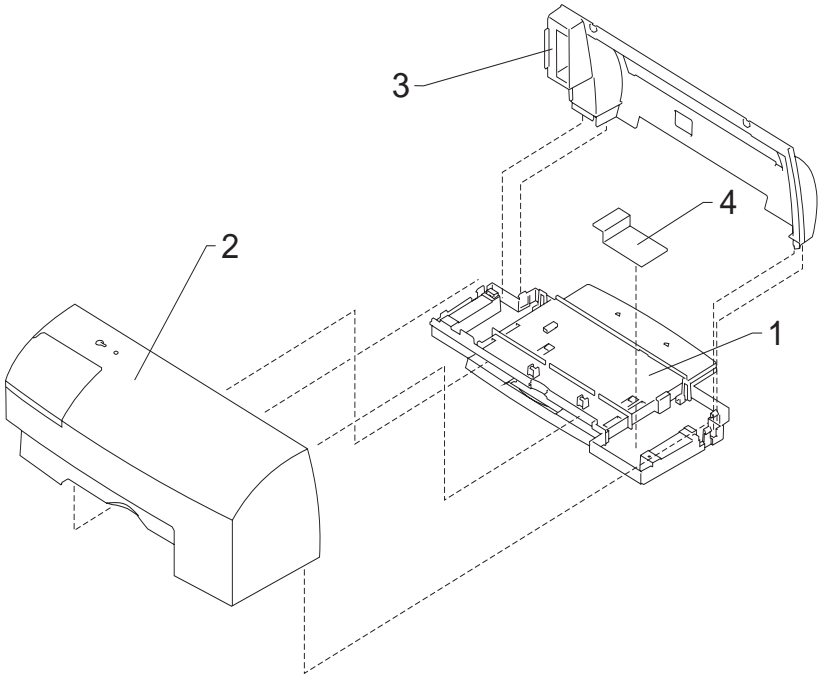
Parts Catalog

How To Use This Parts Catalog

- **SIMILAR ASSEMBLIES:** If two assemblies contain a majority of identical parts, they are broken down on the same list. Common parts are shown by one index number. Parts peculiar to one or the other of the assemblies are listed separately and identified by description.
- **NS: (Not Shown)** in the Asm-Index column indicates that the part is procurable but is not pictured in the illustration.
- **PP:** in the parts descriptions column indicates the part is available in the listed parts packet.

4077-001

Assembly 1: Covers

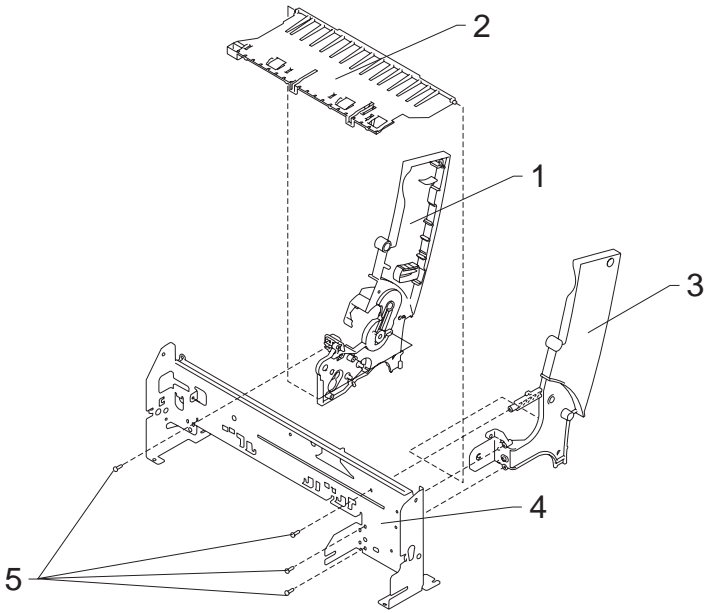


4077-001

Asm-Index	Part Number	Units	Description
1-1	69G411 5	1	Base Asm includes Exit Tray, Gutter Pad, Feet
-2	69G411 6	1	Front Cover Asm, Access Cover, Button & LED Lens
-3	69G411 8	1	Rear Cover
-4	69G411 9	1	Gutter Pad

4077-001

Assembly 2: Frames

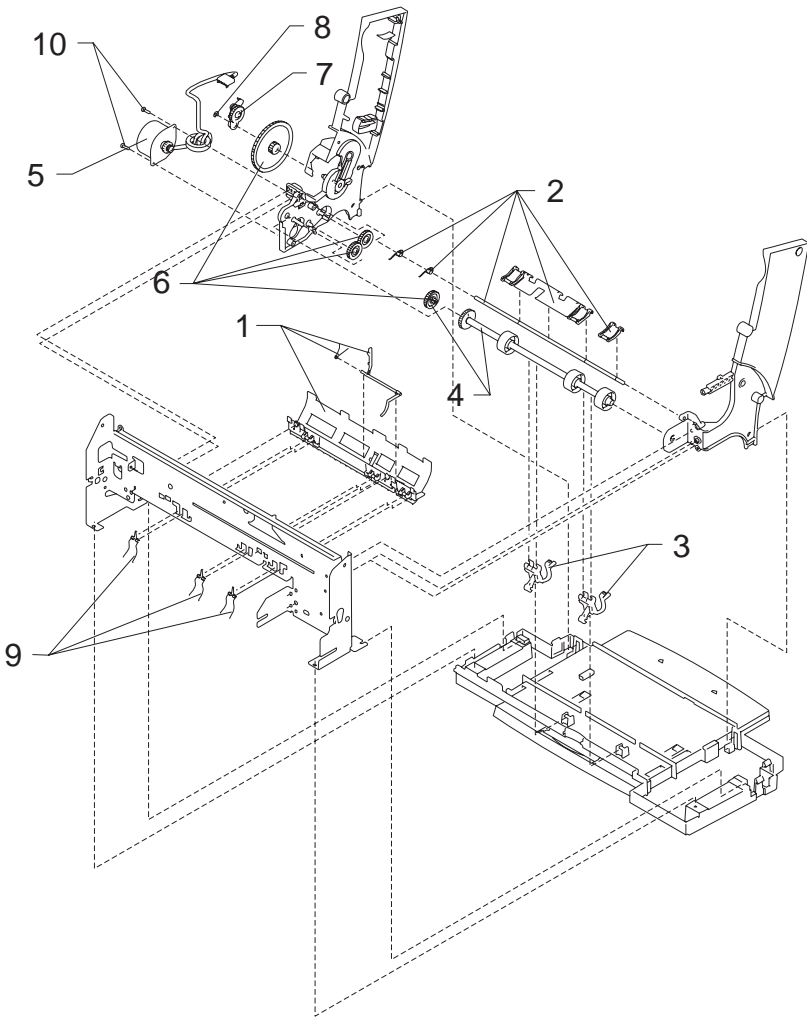


4077-001

Asm-Index	Part Number	Units	Description
2 -1	69G4120	1	Left Side Frame Sub-Asm without Gears - Also order gears B/M 69G4127
-2	13A1279	1	Mid Frame
-3	69G4121	1	Right Side Frame
-4	69G4122	1	Carrier Frame
-5	69G4188	4	Screw, Frame Mounting (PP)

4077-001

Assembly 3: Paper Feed

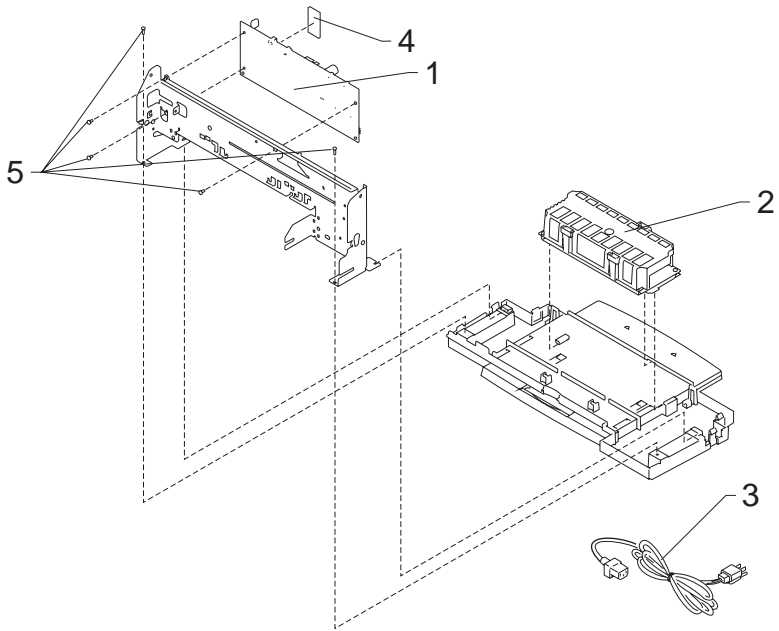


4077-001

Asm-Index	Part Number	Units	Description
3 -1	70G3039	1	Paper Guide Asm includes EOF Flag, Spring, 3 Small Feed Roll Springs On S/N prior to 11-AA000, also order 13A1280
-2	69G4126	1	Small Feed Roll Shaft Roll B/M and Paper Flap
-2	69G4382	1	Small Feed Roll B/M for Rubber Large Feed Roll
-3	69G4129	1	Ejector Asm
-4	69G4124	1	Large Feed Roll Asm (includes Small Compound Idler Gear)
-4	69G4380	1	Rubber Large Feed Roll
-5	69G4125	1	Paper Feed Motor, Motor Gear, Toroid
-6	69G4127	1	Gears B/M
-7	69G4398	1	Feed Arm Asm
-8	69G4188	2	C-Clip (PP)
-9	69G4188	3	Spring, Small Feed Roll (PP)
-10	69G4188	2	Screw, Paper Feed Motor Mounting (PP)

4077-001

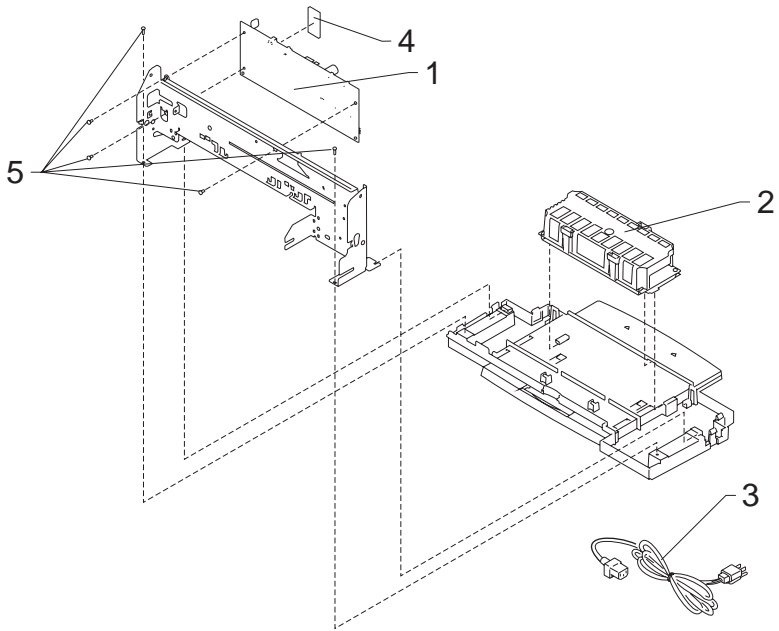
Assembly 4: Electronics



Asm-Index	Part Number	Units	Description
4 -1	69G4132	1	System Board
-2	69G4133	1	Power Supply with Ground Plane, Insulator, Cover
-2	69G4136	1	Power Supply, Korea
-3	1339526	1	Power Cord, U.S.
	1342514		Power Cord, Argentina
	1339520		Power Cord, Austria
	1339520		Power Cord, Belgium
	1342514		Power Cord, Bolivia
	1342514		Power Cord, Brazil (LV)
	1342534		Power Cord, Brazil (HV)
	1339526		Power Cord, Canada
	1342534		Power Cord, Chile
	1342514		Power Cord, Columbia
	1342514		Power Cord, Costa Rica
	1339525		Power Cord, Denmark
	1342514		Power Cord, Ecuador
	1339519		Power Cord, Egypt
	1342514		Power Cord, El Salvador
	1339520		Power Cord, Finland
	1339520		Power Cord, France
	1339520		Power Cord, Germany
	1342514		Power Cord, Guatemala
	1342514		Power Cord, Honduras
	1339521		Power Cord, Israel
	1339524		Power Cord, Italy
	70G0496		Power Cord, Japan
	1342514		Power Cord, Mexico
	1339520		Power Cord, Netherlands
	1342514		Power Cord, Nicaragua
	1339520		Power Cord, Norway
	1342514		Power Cord, Panama
	1342536		Power Cord, Paraguay
	1342514		Power Cord, Peru
	1339517		Power Cord, Saudi Arabia
	1339523		Power Cord, South Africa
	1339520		Power Cord, Spain
	1339520		Power Cord, Sweden
	1339522		Power Cord, Switzerland
	1339519		Power Cord, United Kingdom
	1342536		Power Cord, Uruguay
	1342514		Power Cord, Venezuela

4077-001

Assembly 4: Electronics (continued)

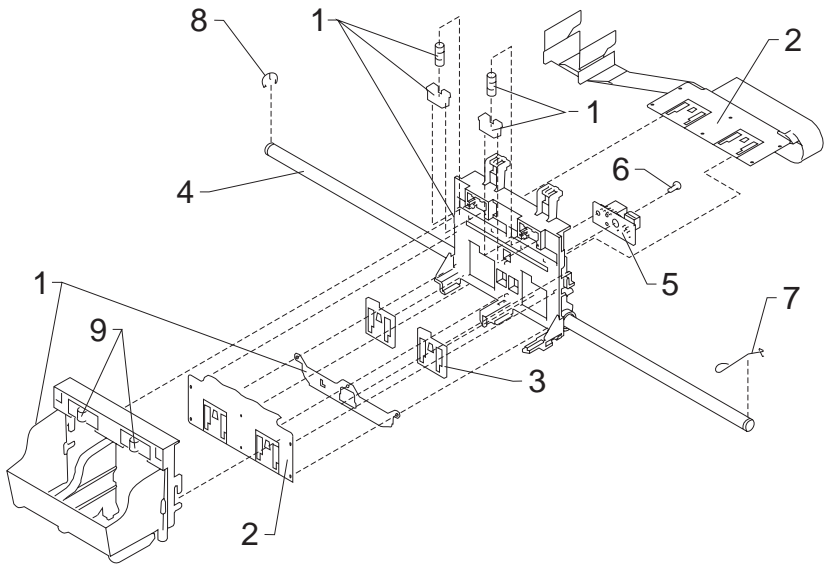


4077-001

Asm-Index	Part Number	Units	Description
-4	69G4137	1	Code Module
-5	69G4188	5	Screw, System Board Mounting (PP)
NS	69G4188	1	Screw, Ground Jumper Mounting (PP)
NS	69G4188	2	Jumper, 2-Pin (PP)

4077-001

Assembly 5: Carrier

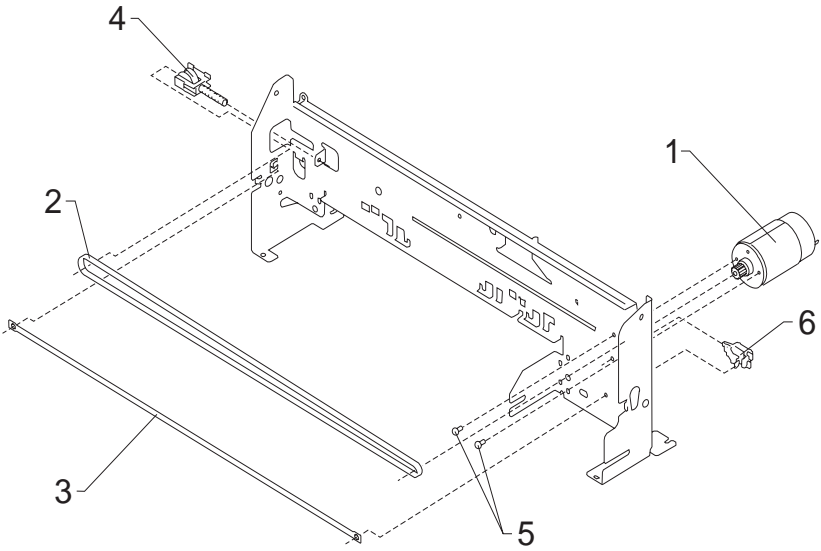


4077-001

Asm-Index	Part Number	Units	Description
5 -1	69G4154	1	Printhead Carrier Asm (includes Carrier, Cradle, Deflector)
-2	69G4155	1	Printhead Cable (Folded)
-3	1367109	1	Rubber Backer
-4	69G4157	1	Carrier Guide Rod
-5	69G4156	1	Encoder Card Asm
-6	69G4188	1	Screw, Encoder Card Mounting (PP)
-7	69G4188	1	Retainer Right, Carrier Guide Rod (PP)
-8	69G4188	1	E-Ring, Carrier Guide Rod (PP) Note: An E-Ring can be used in place of a retainer spring on the left end of the carrier guide rod.
-9	69G4153	1	Printhead Cartridge Interlock Key B/M

4077-001

Assembly 6: Carrier Transport

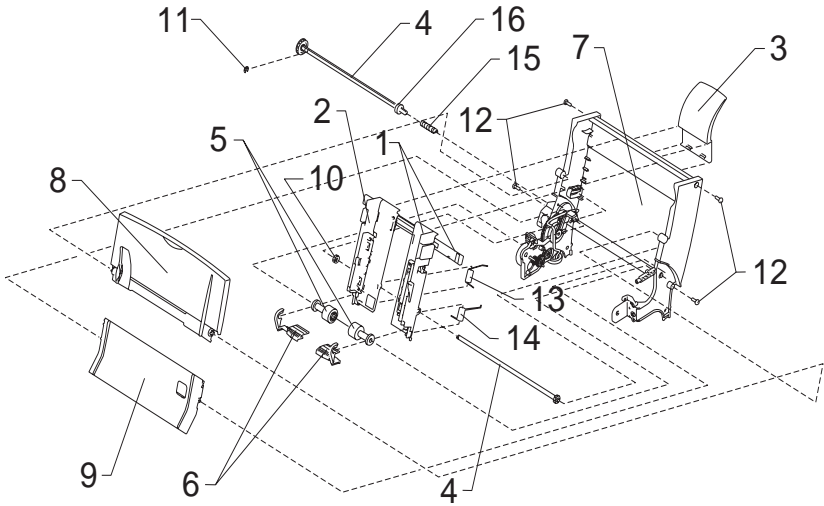


4077-001

Asm-Index	Part Number	Units	Description
6 -1	69G4158	1	Carrier Transport Motor & Pulley
-2	69G4159	1	Carrier Belt
-3	69G4162	1	Encoder Strip
-3	69G4403	1	Encoder Strip (Later Level - Slimmer)
-4	69G4163	1	Idler Pulley Tension Asm
-5	69G4188	2	Screw, Carrier Transport Motor Mounting (PP)
-6	69G4188	1	Tensioner, Encoder Strip (PP)

4077-001

Assembly 7: Sheet Feeder

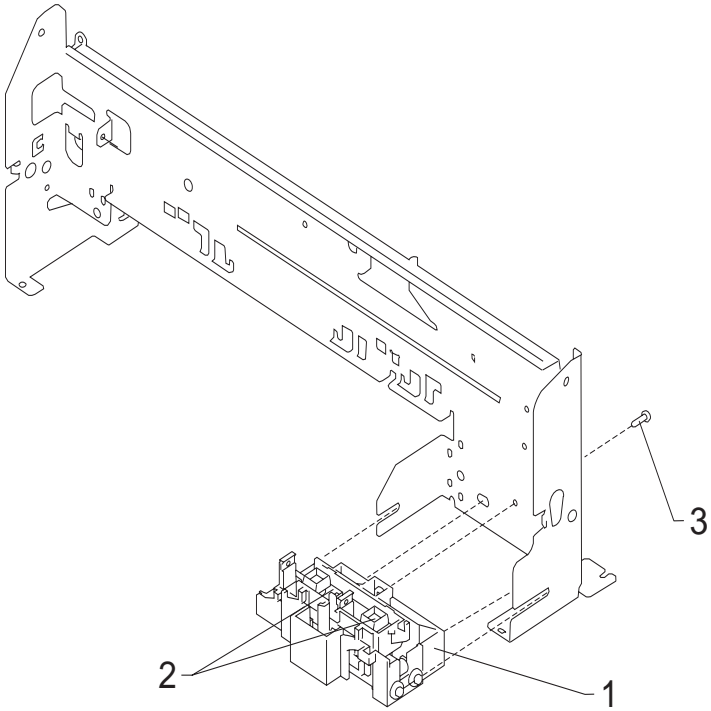


4077-001

Asm-Index	Part Number	Units	Description
7 -1	69G4166	1	Right Edge Guide & Width Adjust Strip
-2	69G4167	1	Left Edge Guide
-3	69G4131	1	Upper Paper Support
-4	1367469	1	Pick Roll & Paper Load Shaft B/M
-5	1367463	2	Pick Roll Hub Asm
-6	1367019	1	Envelope Buckler B/M, Left & Right
-7	69G4169	1	Back Plate
-8	69G4164	1	Paper Load Door Asm
-9	69G4165	1	Manual Insert Tray
-10	69G4127	1	Gear, Paper Load (Gears B/M)
-11	69G4188	1	E-Ring (PP)
-12	69G4188	4	Screw, Side Frame (PP)
-13	69G4188	1	Spring, Left Paper Load (PP)
-14	69G4188	1	Spring, Right Paper Load (PP)
-15	69G4188	1	Spring, Pick Roll Clutch
-16	69G4188	1	Spacer

4077-001

Assembly 8: Maintenance Station



4077-001

Asm-Index	Part number	Units	Description
8 -1	69G4186	1	Maintenance Station Asm
-2	1367389	1	Wiper and Cap B/M (one of each)
-3	69G4188	1	Screw, Maintenance Station Mounting (PP)