



Service Manual

**Lexmark™ 4300 Series
Photo All-In-One**

4421-XXX

- ***Table of contents***
- ***Start diagnostics***
- ***Safety and notices***
- ***Trademarks***
- ***Index***

LEXMARK™

Lexmark and Lexmark with diamond design are trademarks of Lexmark International, Inc., registered in the United States and/or other countries.

7. Parts catalog

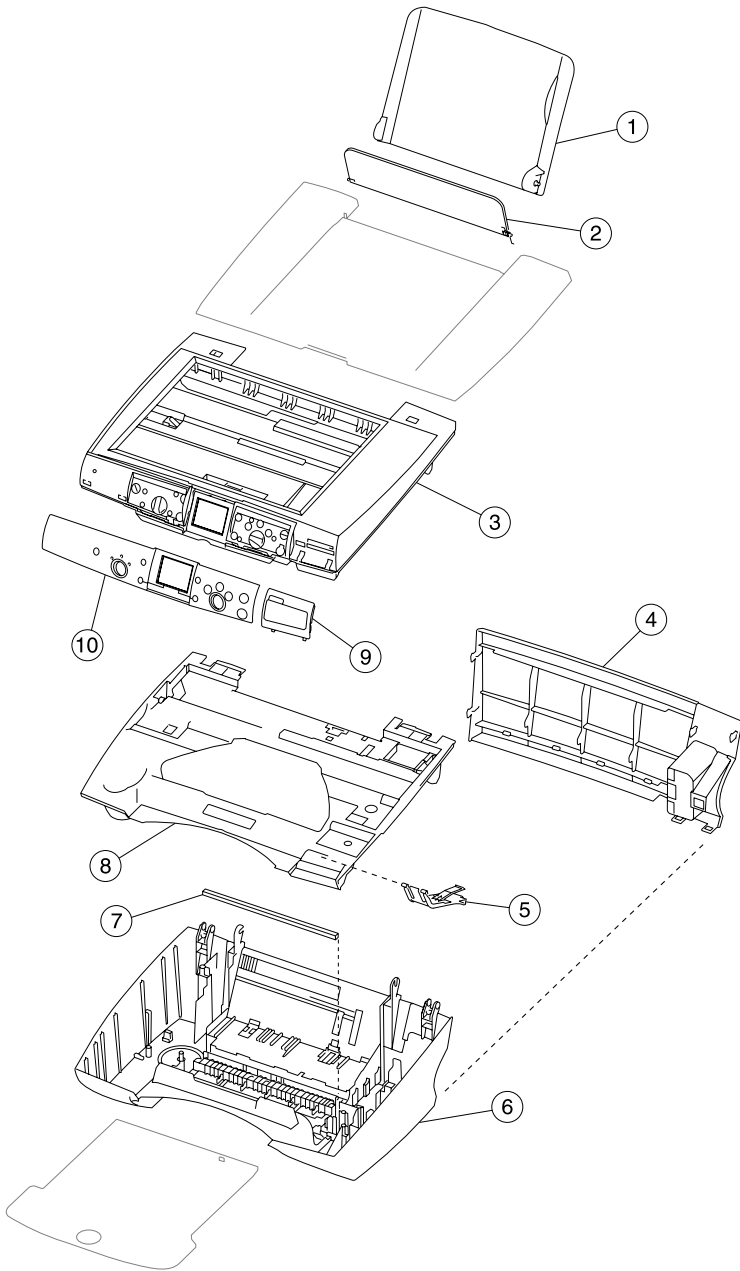
How to use this parts catalog

The following legend is used in the parts catalog:

Asm- Index	Part number	Units/ mach	Units/ FRU	Description
---------------	----------------	----------------	---------------	-------------

- **Asm-index:** Identifies the assembly and the item in the diagram. For example, 3-1 indicates assembly 3 and item number 1.
- **Part number:** Identifies the unique number that identifies this FRU.
- **Units/mach:** Refers to the number of units actually used in the machine or product.
- **Units/FRU:** Refers to the number of units packaged together and identified by the part number.
- **NS:** (Not shown) in the Asm-Index column indicates that the part is procurable but is not pictured in the illustration.
- **PP:** (Parts Packet) in the parts description column indicates that the part is contained in a parts packet.

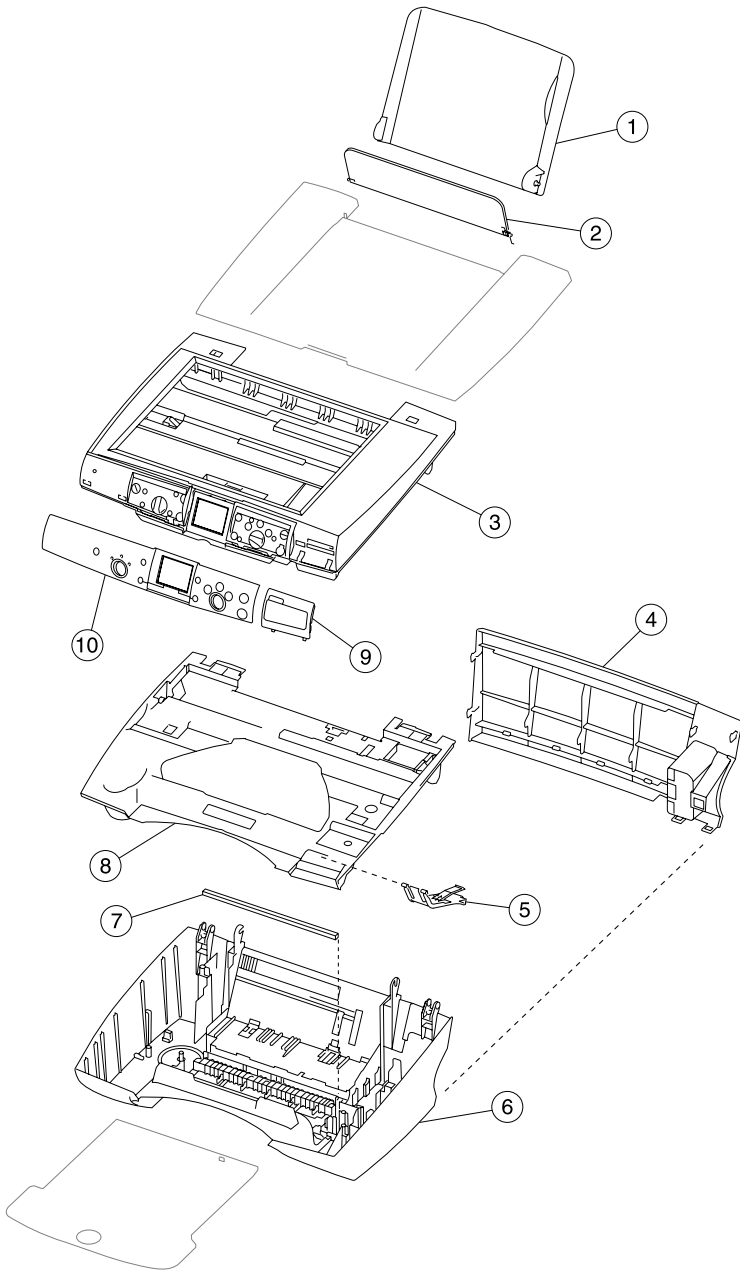
Assembly 1: Covers, scanner, and base



Assembly 1: Covers, scanner, and base

Asm-Index	Part number	Units/mach	Units/FRU	Description
1-1	56P2612	1	1	Support, paper (001, 002)
2	56P2772	1	1	Guide, ASF with spring (001, 002)
3	56P3901	1	1	Module, scanner assembly (001, 002)
4	56P3902	1	1	Cover, rear (001, 002)
5	56P2614	1	1	Support, scanner (001, 002)
6	56P2615	1	1	Base, printer assembly (001, 002)
7	56P2796	1	1	Pad, ink (001, 002)
8	56P2616	1	1	Cover, midframe with media sensor (001, 002)
9	56P2747	1	1	Door, card reader access (001, 002)
10	56P3903	1	1	Cover, control panel English (001, 002)
10	56P3904	1	1	Cover, control panel Dutch (001, 002)
10	56P3905	1	1	Cover, control panel French (001, 002)
10	56P3906	1	1	Cover, control panel German (001, 002)
10	56P3907	1	1	Cover, control panel Greek (001, 002)
10	56P3908	1	1	Cover, control panel Italian (001, 002)
10	56P3909	1	1	Cover, control panel cover Japanese (001, 002)
10	56P3910	1	1	Cover, control panel Korean (001, 002)
10	56P3911	1	1	Cover, control panel Polish (001, 002)
10	56P3912	1	1	Cover, control panel Brazilian Portuguese (001, 002)
10	56P3913	1	1	Cover, control panel Simplified Chinese (001, 002)
10	56P3914	1	1	Cover, control panel Spanish (001, 002)

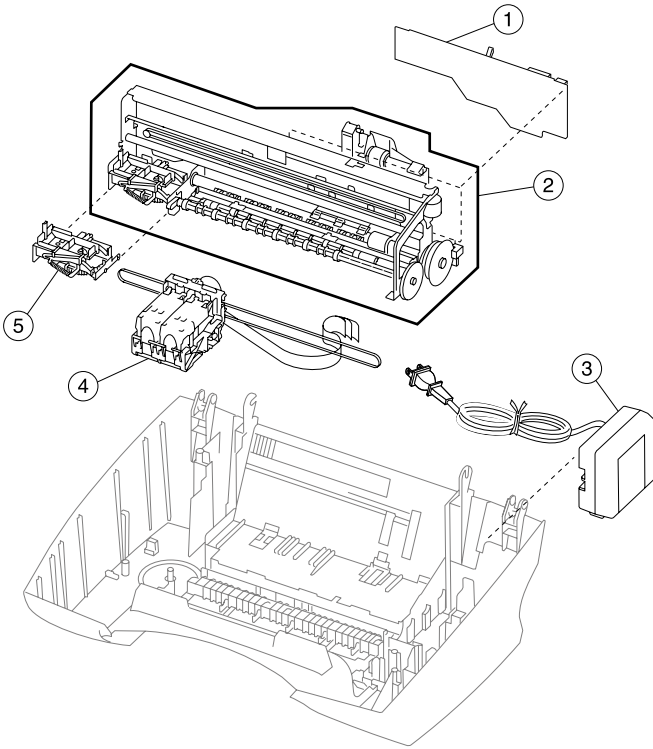
Assembly 1 (cont.): Covers, scanner, and base



Assembly 1 (cont.): Covers, scanner, and base

Asm-Index	Part number	Units/mach	Units/FRU	Description
10	56P3915	1	1	Cover, control panel Traditional Chinese (001, 002)
10	56P3916	1	1	Cover, control panel Russian (001, 002)
NS	56P3917	1	1	Badge, P4350 model number (001)
NS	56P3918	1	1	Badge, P4330 model number (002)
NS	7373897	1	1	Plain package B/M includes: carton, cushion set, and sealing tape USA/Canada/LAD (001, 002)
NS	7373935	1	1	Plain package B/M includes: carton, cushion set, and sealing tape EMEA/APG (001, 002)

Assembly 2: Engine, carrier, and electronics



Assembly 2: Engine, carrier, and electronics

Asm-Index	Part number	Units/mach	Units/FRU	Description
2-1	56P3900	1	1	Board, system 4350 (001)
1	56P3919	1	1	Board, system 4330 (002)
2	21G0175	1	1	Engine, print assembly (001, 002)
3	13D0400	1	1	Supply, power (LV) 120 V (001, 002)
4	56P2611	1	1	Carrier, assembly with cables and belt (001, 002)
5	56P2617	1	1	Station, maintenance assembly (001, 002)
NS	13D0401	1	1	Supply, power (HV) 220 V (001, 002)
NS	13D0402	1	1	Supply, power Japan (LV) 100 V (001, 002)
NS	13D0403	1	1	Supply, power LAD (LV) 100 V (001, 002)
NS	1339546	1	1	Cord, power Argentina (001, 002)
NS	1339547	1	1	Cord, power Brazil (001, 002)
NS	11B5621	1	1	Cord, power UK/Ireland/Hong Kong (001, 002)
NS	11B5622	1	1	Cord, power Chile/Europe/Asia (001, 002)
NS	11B5624	1	1	Cord, power Australia (001, 002)
NS	11B5625	1	1	Cord, power South Africa (001, 002)
NS	11B5626	1	1	Cord, power Peru (001, 002)
NS	17A0461	1	1	Cord, power Peoples Republic of China (001, 002)
NS	17F0399	1	1	Cord, power India (001, 002)
NS	21B0164	1	1	Cord, power Korea (001, 002)