

Revised: January 2005



Service Manual

**Lexmark™ 910 Series
Photo Jetprinter™**

4110-XXX

- ***Table of Contents***
- ***Start Diagnostics***
- ***Safety and Notices***
- ***Trademarks***
- ***Index***

LEXMARK™

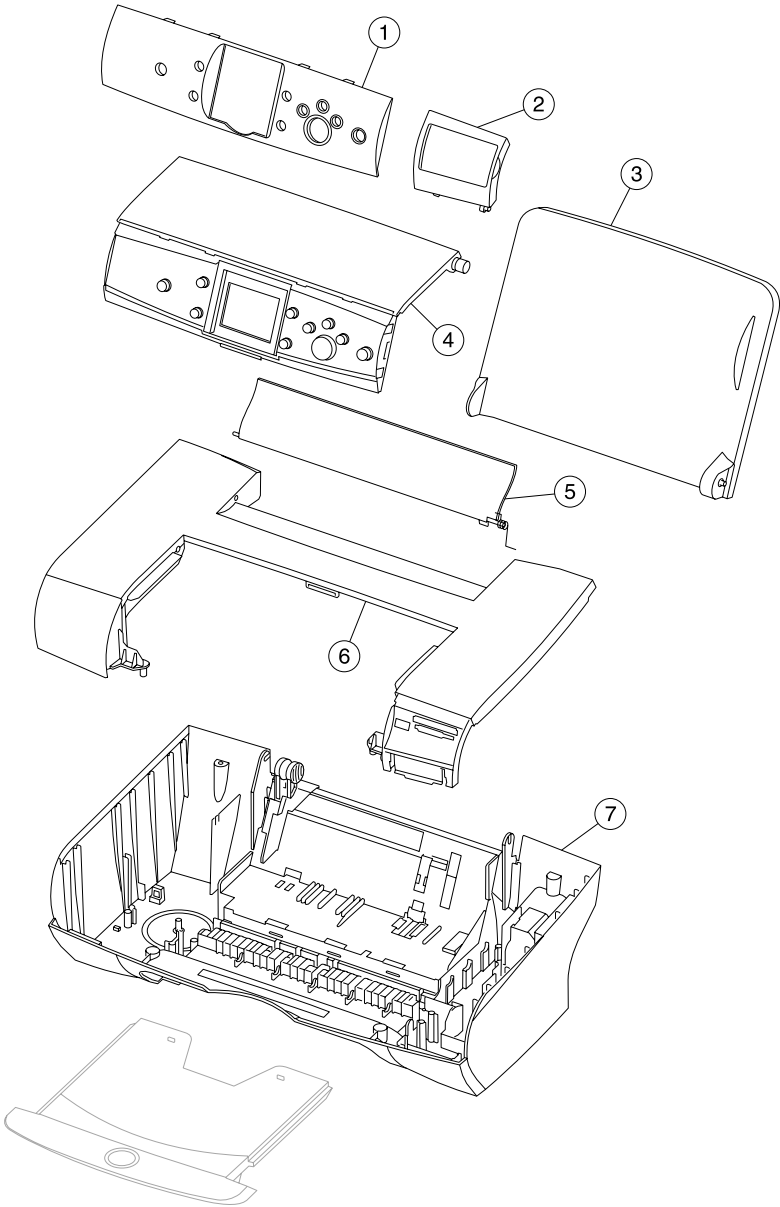
Lexmark and Lexmark with diamond design are trademarks of Lexmark International, Inc., registered in the United States and/or other countries.

7. Parts catalog

How to use the parts catalog

- **SIMILAR ASSEMBLIES:** If two assemblies contain a majority of identical parts, they are shown on the same list. Common parts are shown by one index number. Parts pertaining to one of the other assemblies are listed separately and identified by description.
- **NS: (Not Shown)** in the Asm-Index column indicates that the part is procurable but is not shown in the illustration.

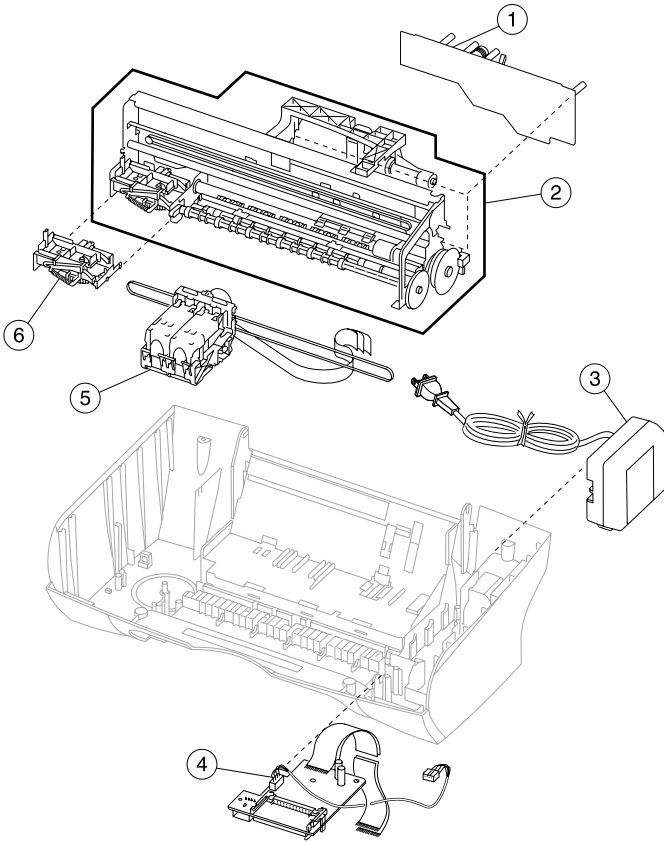
Assembly 1: Covers



Assembly 1: Covers

Asm-Index	Part Number	Units	Description
1-1	56P2757	1	Cover, control panel Dutch (001, 003)
1-1	56P2758	1	Cover, control panel English (001, 003)
1-1	56P2759	1	Cover, control panel French (001, 003)
1-1	56P2760	1	Cover, control panel German (001, 003)
1-1	56P2761	1	Cover, control panel Greek (001, 003)
1-1	56P2762	1	Cover, control panel Italian (001, 003)
1-1	56P2763	1	Cover, control panel Japanese (001, 003)
1-1	56P2764	1	Cover, control panel Korean (001, 003)
1-1	56P2765	1	Cover, control panel Polish (001, 003)
1-1	56P2766	1	Cover, control panel Port/Brazil (001, 003)
1-1	56P2767	1	Cover, control panel S. Chinese (001, 003)
1-1	56P2768	1	Cover, control panel Spanish (001, 003)
1-1	56P2769	1	Cover, control panel T. Chinese (001, 003)
1-1	56P2770	1	Cover, control panel Russian (001, 003)
1-2	56P2754	1	Door, card reader access (001, 003)
1-3	56P2612	1	Paper support (001, 003)
1-4	56P2753	1	Panel, control with LCD and door (001, 003)
1-5	56P2772	1	Guide, ASF with spring (001, 003)
1-6	56P2755	1	Cover, top assembly (001, 003)
1-7	56P2751	1	Base, printer assembly (001)
1-7	56P3841	1	Base, printer assembly (003)
NS	56P2796	1	Pad, ink (001, 003)
NS	56P2771	1	Badge, P915 model number (001, 003)
NS	7373900	1	Plain package B/M includes: carton, cushion, set, and sealing tape USA (001, 003)
NS	7373997	1	Plain package B/M includes: carton, cushion, set, and sealing tape EMEA (001, 003)
NS	7374001	1	Plain package B/M includes: carton, cushion, set, and sealing tape APG (001, 003)

Assembly 2: Electronics/carrier transport



Assembly 2: Electronics/carrier transport

Asm-Index	Part Number	Units	Description
2-1	56P2750	1	Board, system (001, 003)
2-2	21G0175	1	Print engine (001, 003)
2-3	13D0400	1	Power supply 120V (001, 003)
2-4	56P2752	1	Card reader (001)
2-4	56P3842	1	Card reader (003)
2-5	56P2611	1	Complete carrier with belt and cable (001, 003)
2-6	56P2617	1	Maintenance station (001, 003)
NS	13D0401	1	Power supply HV 220V (001, 003)
NS	13D0403	1	Power supply LV 100V LAD (001, 003)
NS	13D0402	1	Power supply 100V (001, 003)
NS	21B0101	1	Cord, line UK/Ireland/Hong Kong (003)
NS	21B0102	1	Cord, line Germany/Israel/Russia/Poland/Spain/Chile/Asia (003)
NS	21B0103	1	Cord, line Argentina (003)
NS	21B0104	1	Cord, line Australia (003)
NS	21B0105	1	Cord, line South Africa (003)
NS	21B0106	1	Cord, line Peru (only) (003)
NS	21B0107	1	Cord, line China (003)
NS	21B0108	1	Cord, line Korea (003)
NS	21B0109	1	Cord, line India (003)