

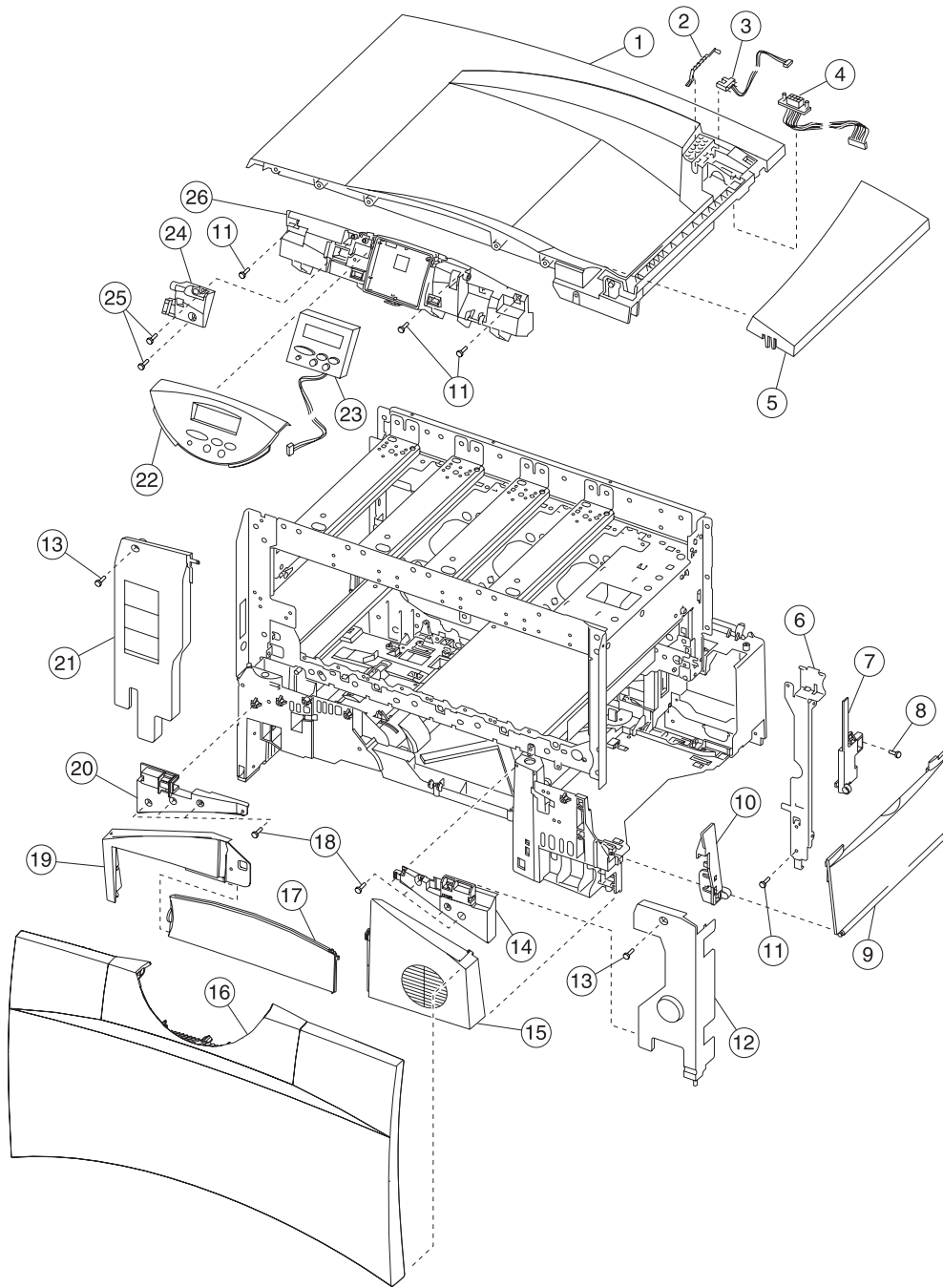
Parts Breakdown

Extracted From Service Manual



LEXMARKTM
Passion for printing ideas.TM

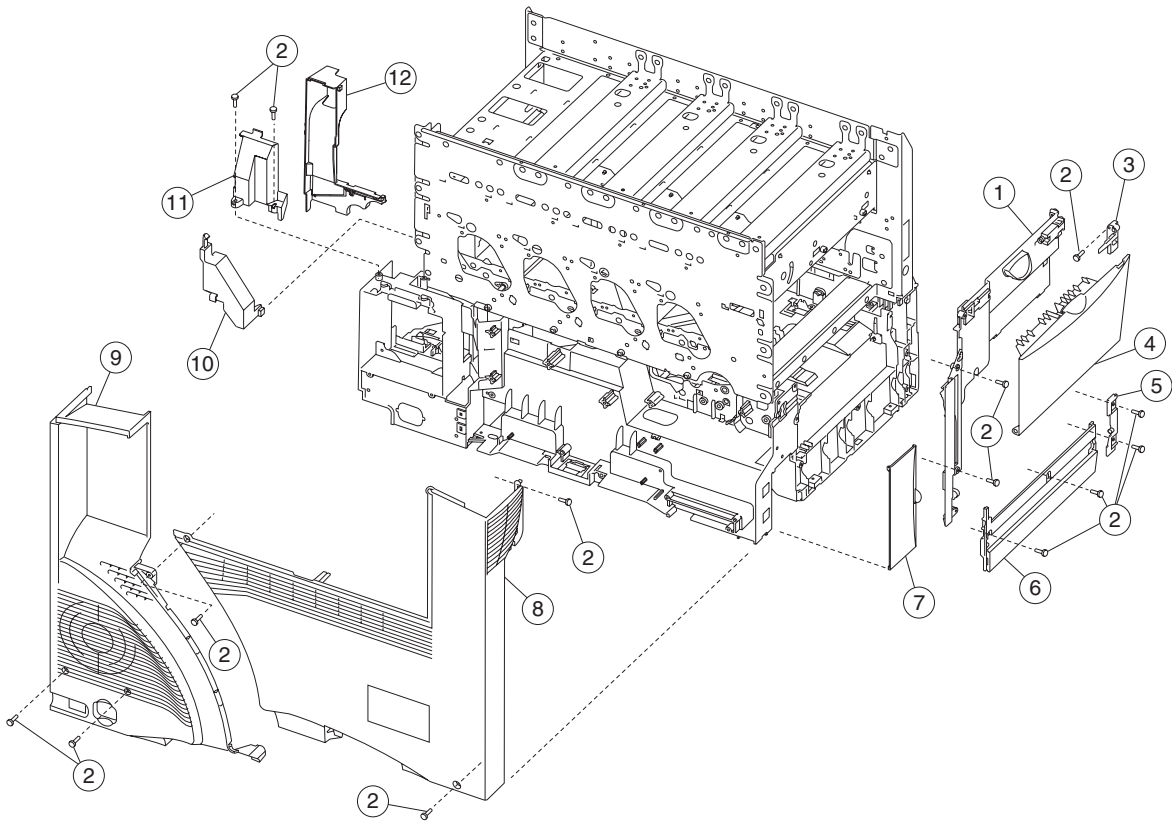
Assembly 1: Covers



Assembly 1: Covers

Asm- Index	Part number	Units	Description
1-1	12G6410	1	Top cover assembly
2	12G6507	1	250 output flag
3	12G6506	1	Bin full sensor
4	12G6319	1	Cable, options - stacker
5	12G6409	1	Redrive cap cover assembly
6	12G6389	1	Top front support bracket
7	12G6396	1	Right rear cover
8		1	Screw, PP 12G6530
9	12G6356	1	Lower right door assembly
10	12G6393	1	Right front cover
11		3	Screw, PP 12G6309
12	12G6405	1	Front right light shield cover
13		2	Screw, PP 12G6530
14	12G6411	1	Front right handle cover assembly
15	12G6394	1	Front lower right cover
16	12G6357	1	Front cover assembly
17	12G6391	1	Paper path access door
18		2	Screw, PP 12G6309
19	12G6388	1	Front lower left cover
20	12G6412	1	Front left handle cover assembly
21	12G6404	1	Left front light shield cover
22	12G6402	1	Operator panel bezel with logos
23	12G6344	1	Operator panel assembly, low volt
23	12G6345	1	Operator panel assembly, high volt
24	12G6399	1	Front upper pivot cover
25		2	Screw, PP 12G6532
26	12G6397	1	Front access door support
NS	56P1277	1	Paper tray guide
NS	12G6380	1	Machine pad
NS	12G6491	1	Jam access door spring
NS	12G6347	1	Front hold down bellcrank

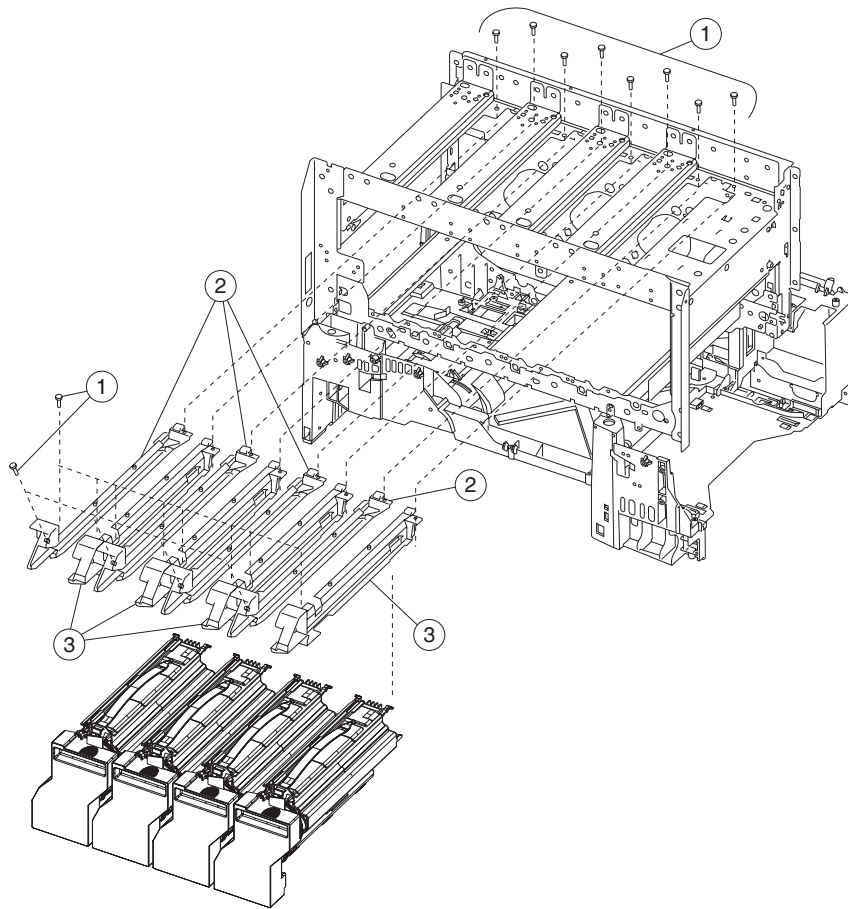
Assembly 1.1: Covers



Assembly 1.1: Covers

Asm- Index	Part number	Units	Description
1.1-1	12G6408	1	Left upper cover assembly
2		14	Screw, PP 12G6309
3	12G6392	1	Left upper pivot cover
4	12G6485	1	Lower access jam door assembly
5	12G6398	1	Left lower pivot cover
6	12G6395	1	Cover, left lower
7	12G6400	1	Waste container door
8	12G6390	1	Rear cover
9	12G6401	1	Rear fan cover
10	12G6340	1	Fuser top duct
11	12G6358	1	Fuser bottom duct
12	12G6360	1	Fuser wall duct
NS	12G6339	1	Blank, TLI/SN label
NS	12G6510	6	Cable tie (6 in pack)
NS	12G6511	2	Cable mount
NS	12G6386	1	Duplex actuator arm
NS	12G6387	2	Ground cable
NS	12G6383	2	Fuser latch slide
NS	12G6384	2	Fuser latch slide spring
NS	56P0560	1	Rear upper guide assembly

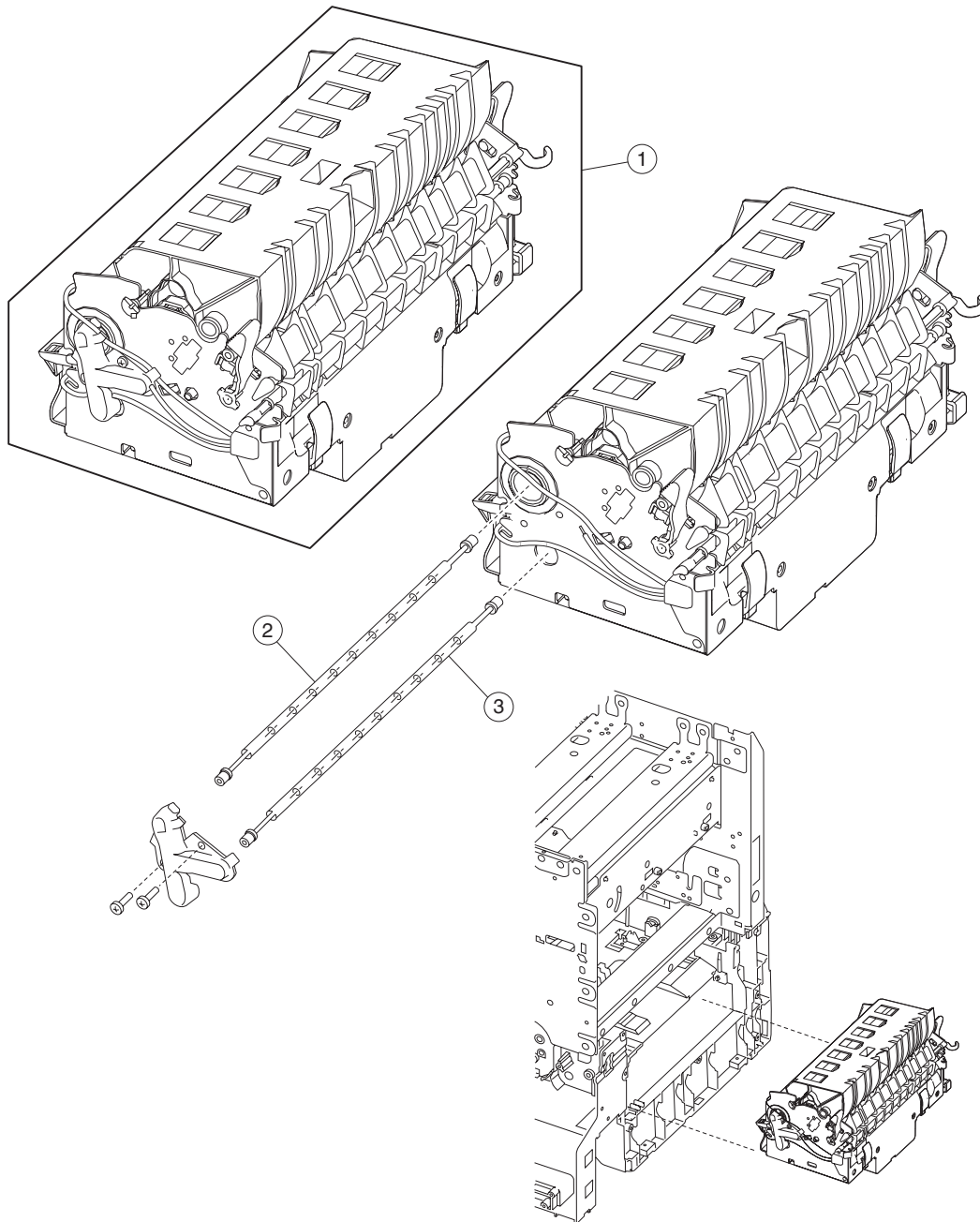
Assembly 2: Cartridge mounting



Assembly 2.0: Cartridge mounting

Asm- Index	Part number	Units	Description
2-1			Screw, PP 12G6532
2	12G6535	4	Guide assembly, left side
3	12G6536	4	Guide assembly, right side

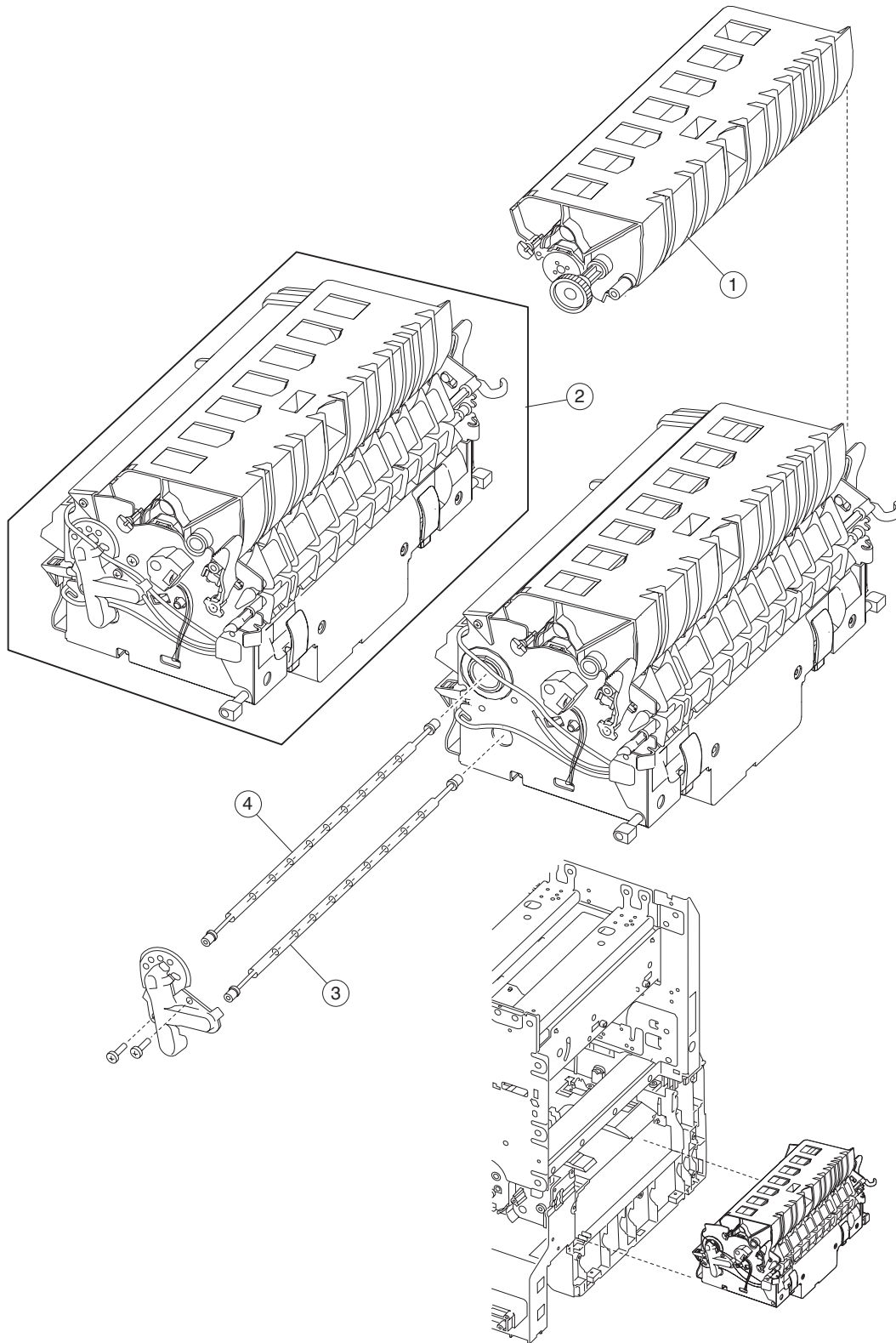
Assembly 3: Fuser



Assembly 3.0: Fuser

Asm- Index	Part Number	Units	Description
3-1	12G6495	1	Fuser assembly 100V 500W
1	12G6301	1	Fuser assembly 115V 500W
1	12G6302	1	Fuser assembly 220V 500W
2	12G6516	1	Fuser lamp, 100V 500W hot roll
2	12G6337	1	Fuser lamp, 115V 500W hot roll
2	12G6341	1	Fuser lamp, 220V 500W hot roll
3	12G6517		Fuser lamp, 100V 400W backup roll
3	12G6338	1	Fuser lamp, 115V 400W backup roll
3	12G6342	1	Fuser lamp, 220V 400W backup roll

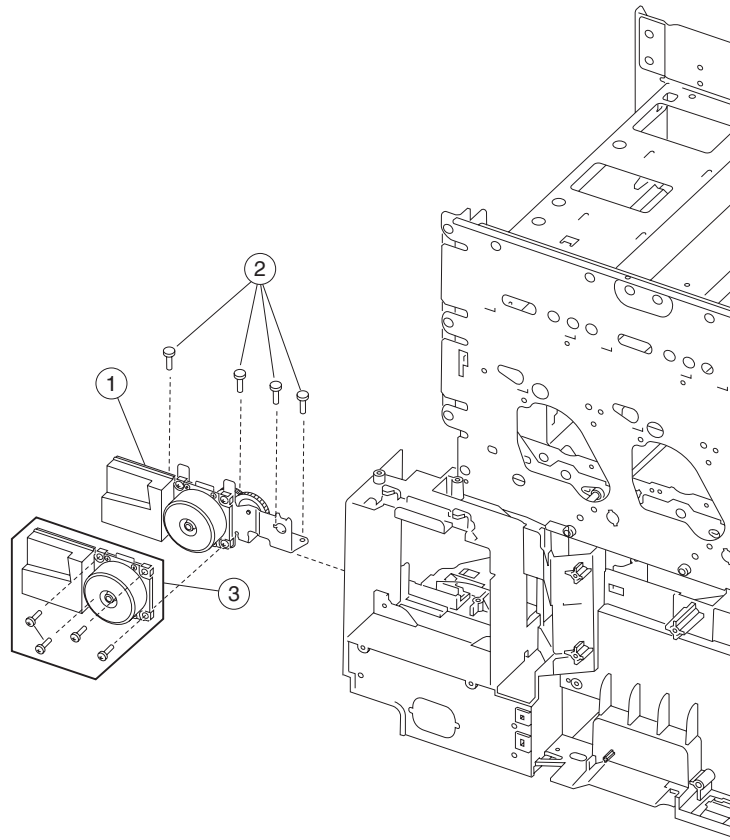
Assembly 3.1: Fuser



Assembly 3.1: Fuser

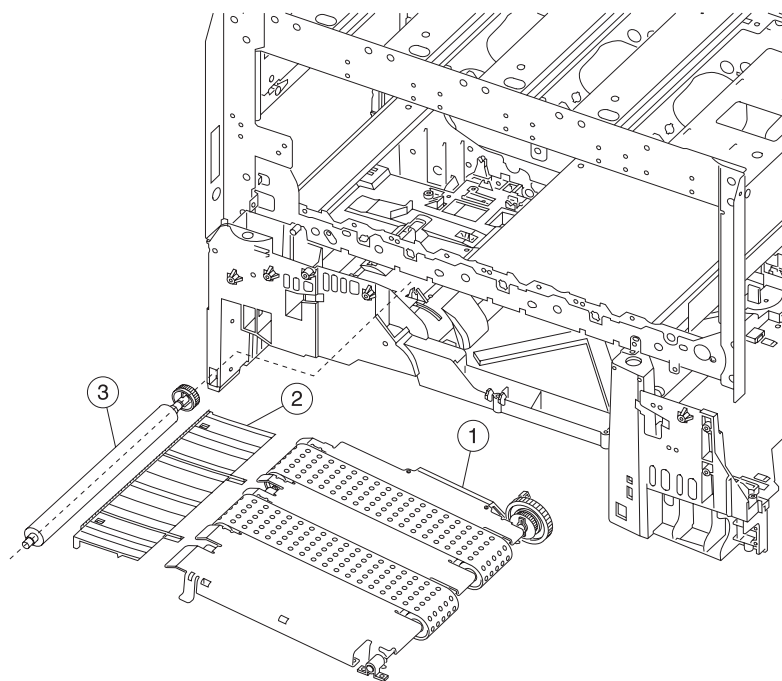
Asm- Index	Part Number	Units	Description
3.1-1	12G6495	1	Fuser assembly, web oiler 100V 500W
1	12G6514	1	Fuser assembly, web oiler 115V 500W
1	12G6515	1	Fuser assembly, web oiler 220V 500W
2	12G6545	1	Web oiler assembly
3	12G6338	1	Fuser lamp, 115V 400W backup roll
3	12G6342	1	Fuser lamp, 220V 400W backup roll
4	12G6337	1	Fuser lamp, 115V 500W hot roll
4	12G6341	1	Fuser lamp, 220V 500W hot roll

Assembly 4: Fuser drive



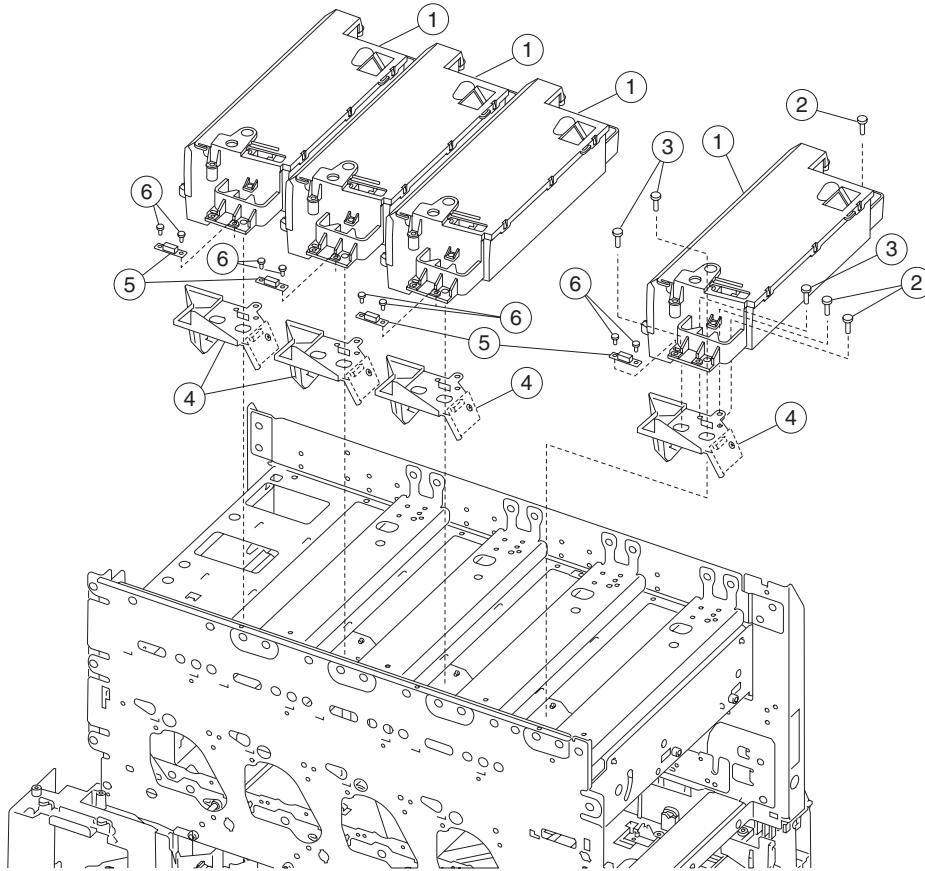
Asm-Index	Part Number	Units	Description
4-1	56P1213	1	Fuser drive assembly
2		4	Screws PP 12G6309
3	56P1238	1	Fuser drive motor
		4	Screws, motor mounting (Inc w/2,1-3)

Assembly 5: Vacuum transport belt assembly



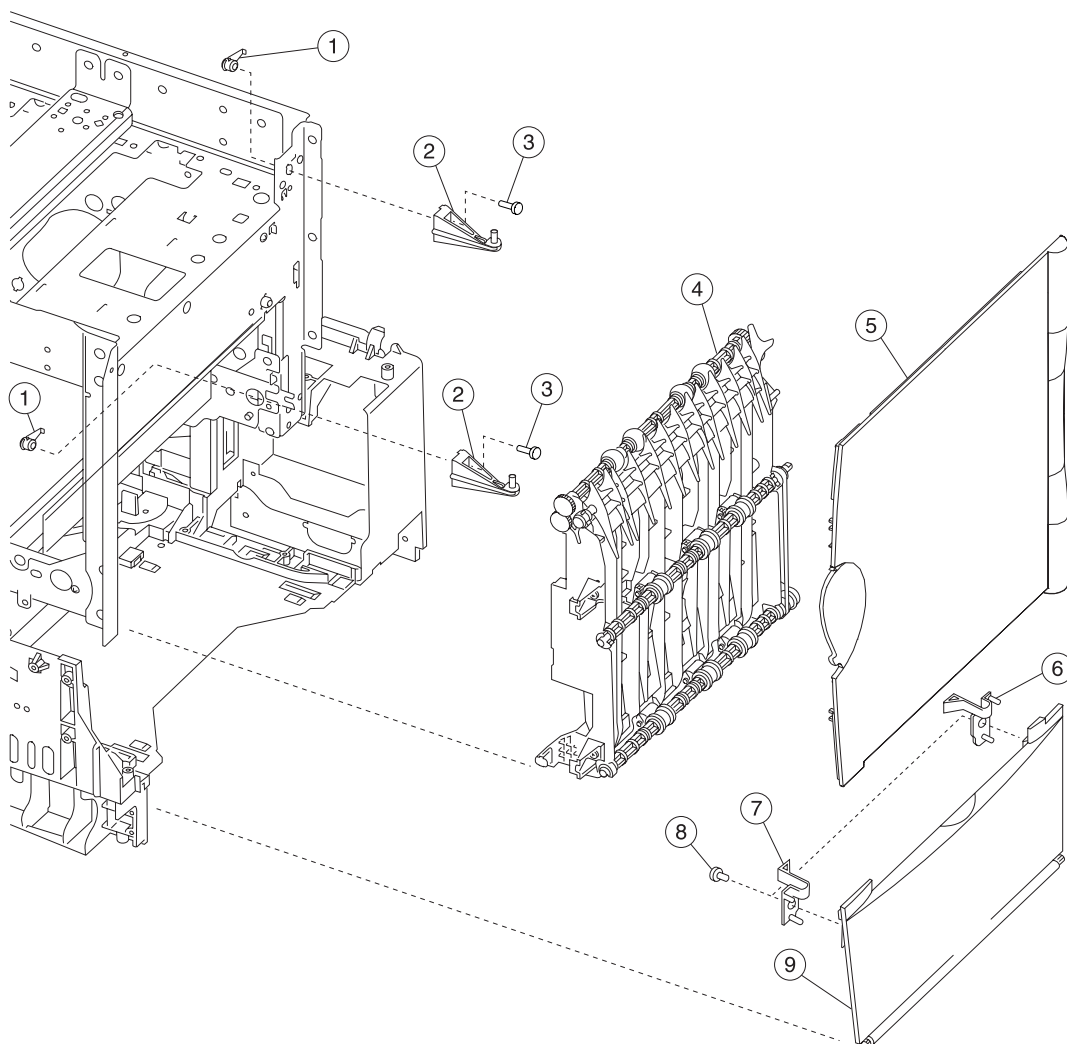
Asm-Index	Part Number	Units	Description
5-1	12G6489	1	Vacuum transport belt assembly
2	12G6488	1	Transfer plate assembly
3	12G6303	1	Second transfer roll
NS	56P0174	1	Second transfer voltage cable

Assembly 6: Printheads



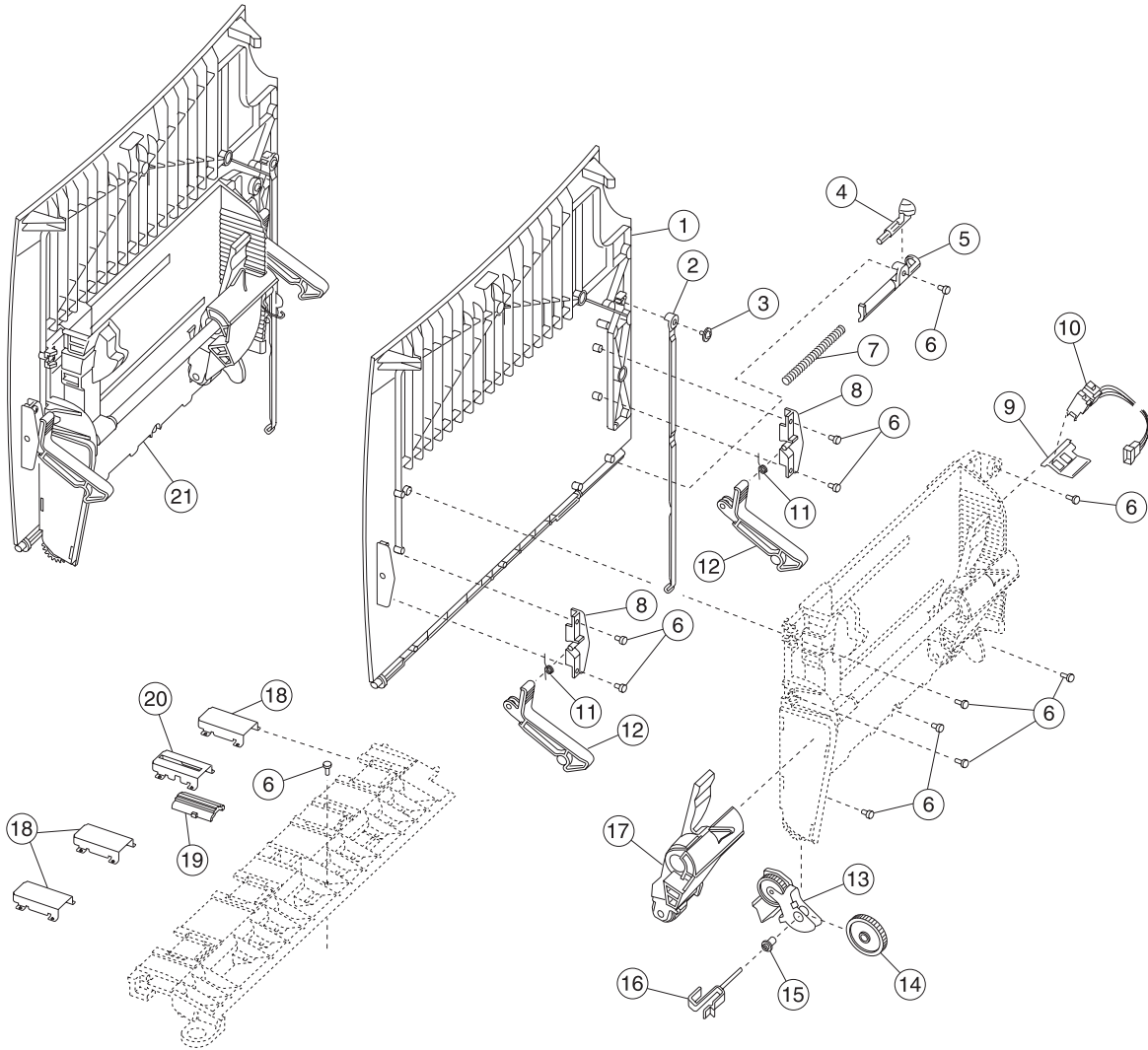
Asm-Index	Part Number	Units	Description
6-1	12G6322	4	Printhead assembly
2		12	Screw, PP 12G6534
3		12	Screw, PP 12G6539
4		4	PSD assembly (order 4-5, thermistor card, when replacing this assembly)
5	56P1198	4	Thermistor card
6		8	Screw, PP 12G6533

Assembly 7: Paper feed output (redrive)



Asm-Index	Part number	Units	Description
7-1	56P0167	8	Anchor, bracket mounting
2	12G6493	2	Upper door hinge
3		2	Screw, PP 12G6533
4	12G6492	1	Redrive assembly
5	12G6355	1	Redrive door
6	12G6513	1	Lower rear door latch
7	12G6512	1	Lower front door latch
8		2	Screw, PP 12G6530
9	12G6356	1	Door assembly, lower right

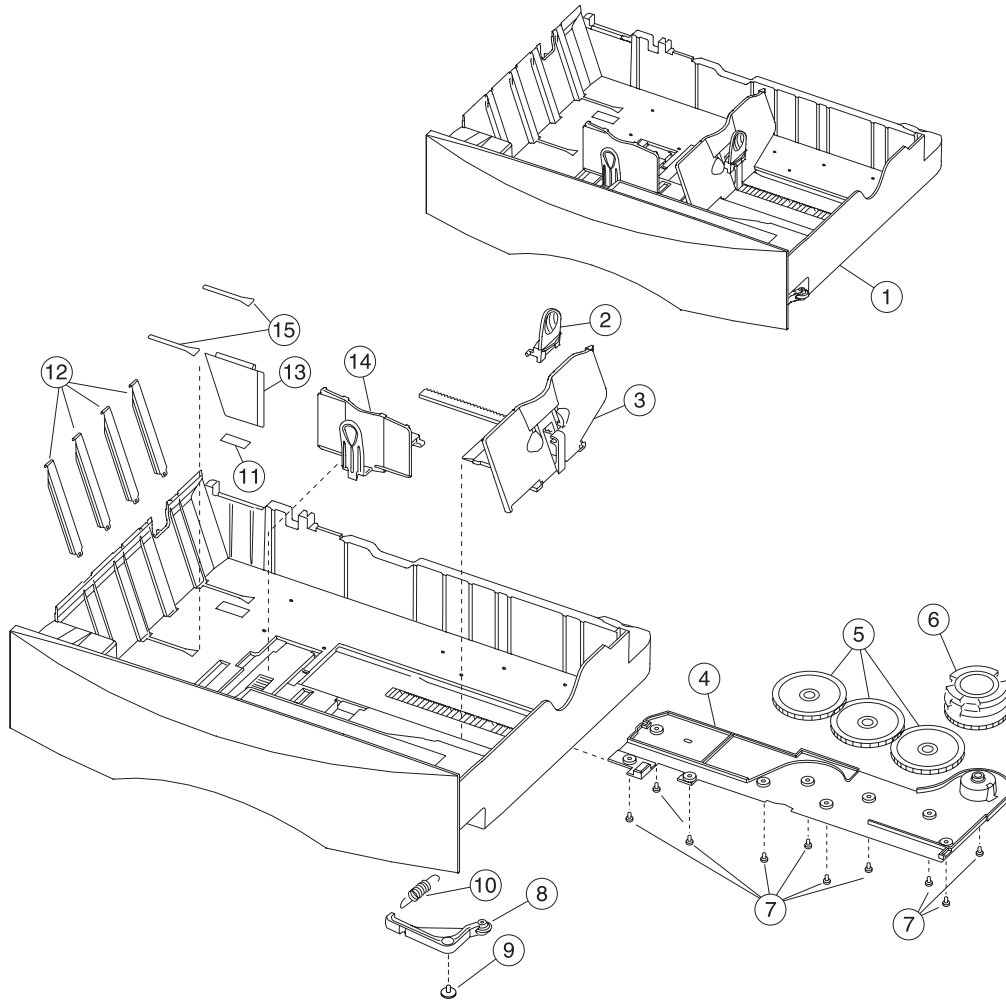
Assembly 8: Multipurpose feeder (MPF)



Assembly 8: Multipurpose Feeder (MPF)

Asm-Index	Part number	Units	Description
8-1	12G6452	1	MP feeder door cover
2	12G6460	1	Door hinge restraint
3		1	Screw, PP 12G6533
4	12G6453	1	Frame bias latch
5	12G6455	1	Frame bias latch cover
6		11	Screw, PP 12G6533
7	12G6454	1	Frame bias spring
8	12G6457	2	MPD support bracket cover
9	12G6456	1	Sensor mount bracket
10	12G6461	1	Paper out/low sensor
11	12G6458	2	MPF support bracket spring
12	12G6459	2	MPF support bracket
13	12G6462	1	MPF bracket assembly
14	12G6463	1	MPF drive gear
15	12G6465	1	MPF drive gear bushing
16	12G6464	1	MPF drive gear shaft
17	12G6451	1	MPF autocompensator pick assembly
18	12G6354	3	Rib housing
19	12G6447	1	Friction buckler
20	12G6346	1	Buckler housing
21	12G6450	1	MPF door assembly
NS	12G6449	1	MPF cable cover
NS	12G6448	1	MPF cable

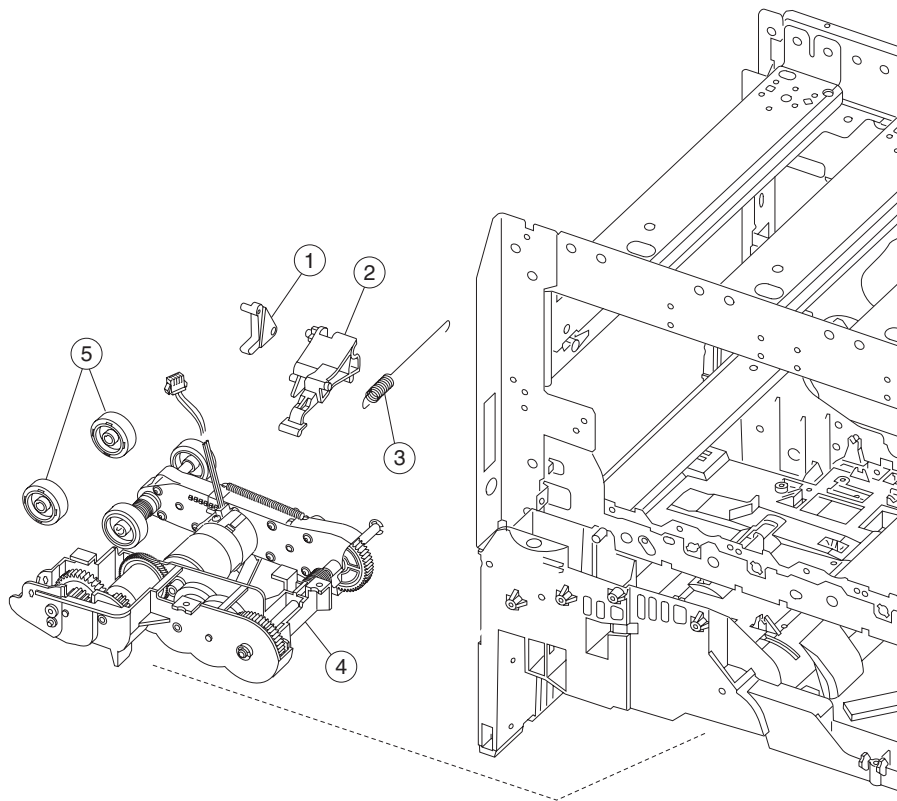
Assembly 9: 500-sheet integrated tray



Assembly 9: 500-sheet integrated tray

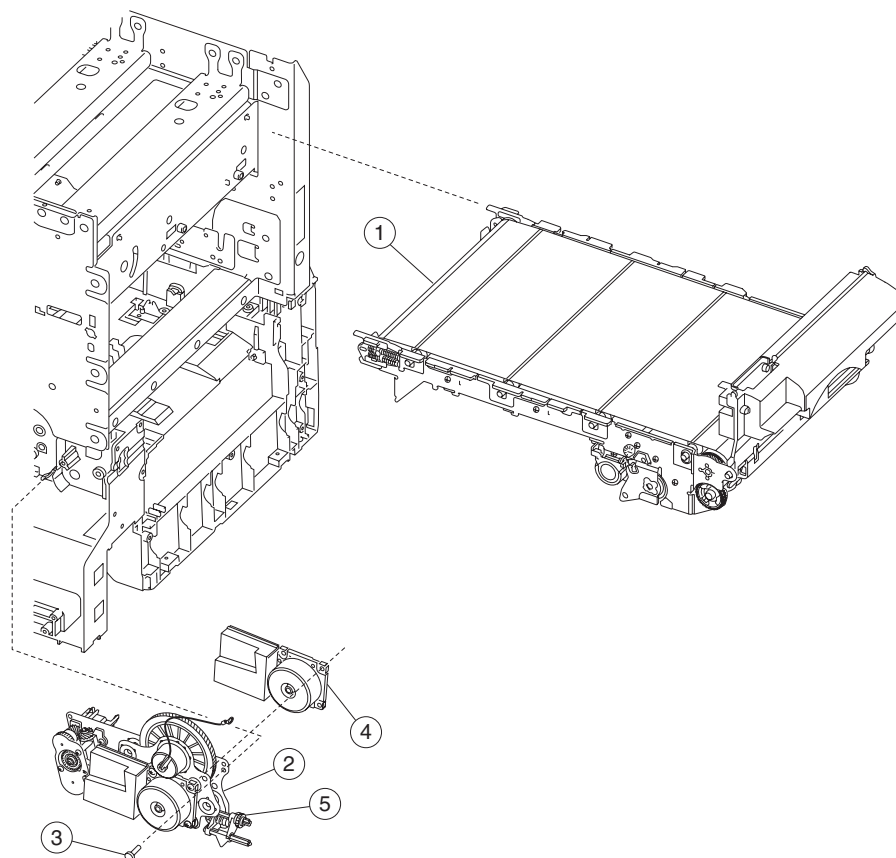
Asm-Index	Part number	Units	Description
9-1	12G6416	1	500-Sheet tray assembly
2	12G6419	1	Back restraint latch
3	12G6418	1	Back restraint
4	12G6424	1	Size sensing gear cover
5	12G6423	3	Size sensing gear
6	12G6422	1	Size sensing barrel cam
7	12G6538	10	Screw, M 3x5mm
8	12G6425	1	Tray bias bellcrank assembly
9		1	Screw, PP 12G6533
10	12G6426	1	Tray bias spring
11	12G6568	1	Reflector label
12	12G6421	4	Wear strip
13	12G6420	1	Tray wear clip
14	12G6417	1	Side restraint
15	56P1504	2	Active restraint pad

Assembly 10: Autocompensator assembly



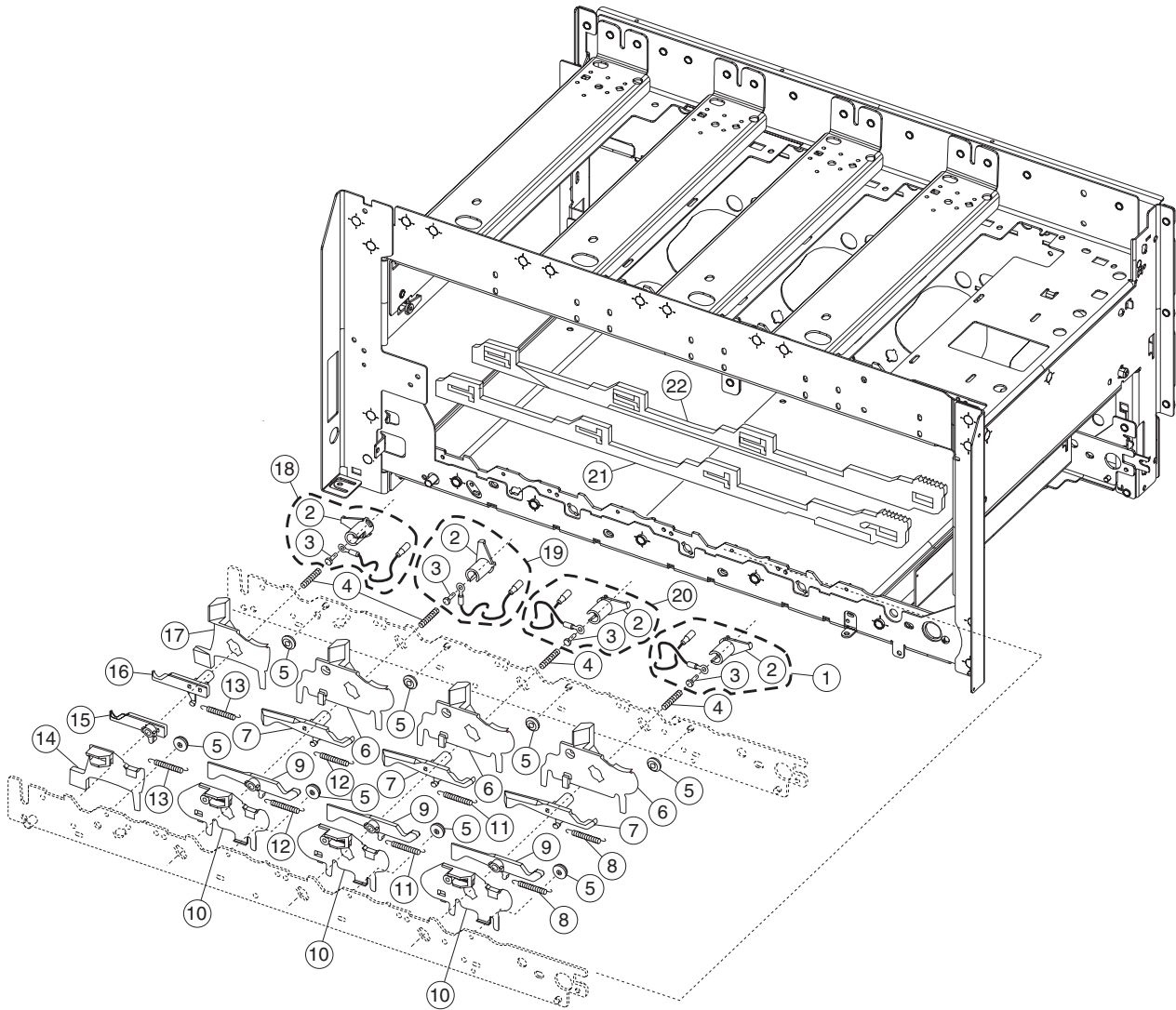
Asm-Index	Part Number	Units	Description
10-1	12G6471	1	Tray interlock bellcrank
2	12G6558	1	Pick arm lift bellcrank
3	12G6557	1	Bellcrank lift spring
4	12G6427	1	Pick assembly 500-tray
5	99A0070	2	Pick rolls
NS	12G6476	1	Paper level sensing assembly
NS	12G6461	1	Sensor, paper out/low
NS	12G6478	1	Flag, paper out/low
NS	56P0551	1	Cable, paper media low/out
NS	56P0552	1	Cable, pick motor extension
NS	12G6472	1	Tray interlock bracket
NS	56P1237	1	Autocomp shaft assembly

Assembly 11: ITU assembly



Asm-Index	Part Number	Units	Description
11-1	56P1295	1	ITU assembly
2	56P1216	1	ITU motor drive assembly with SKC motor
3		1	Screw, PP 12G6309
4	56P0568	1	ITU drive motor, SKC
NS	12G6443	2	ITU bias spring
NS	12G6413	1	ITU light shield assembly
5	12G6385	1	#58 Gear

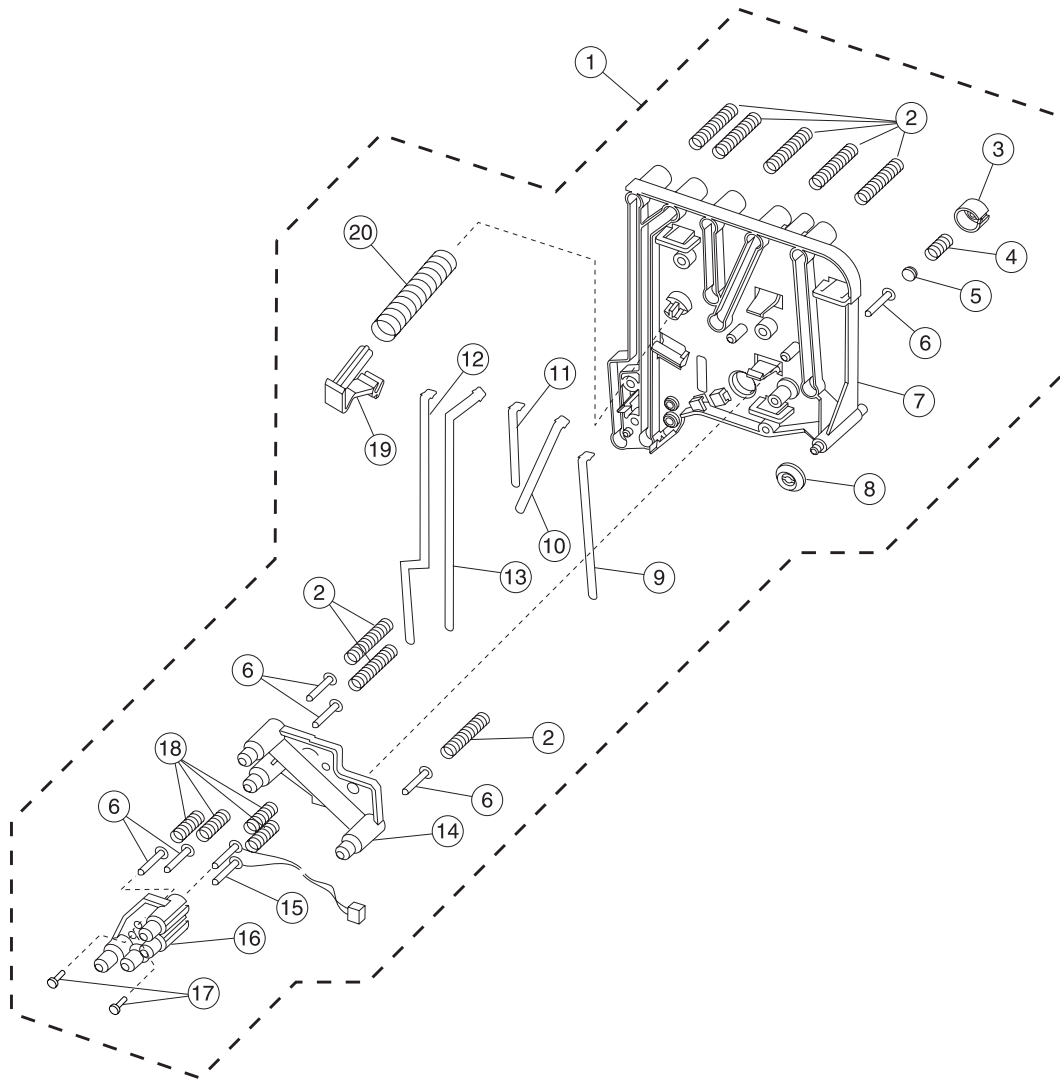
Assembly 11.1: ITU assembly



Assembly 11.1: ITU assembly

Asm- Index	Part number	Units	Description
11.1-1	12G6546	1	Yellow terminal contact assembly
2	12G6442	4	Terminal, contact spring
3		4	Screw PP 12G6533
4	56P0180	4	FTR spring
5	12G6353	8	Cartridge support roller
6	12G6434	3	Rear V block guide
7	12G6444	3	Rear transfer bellcrank
8	12G6438	2	BOR spring, yellow
9	12G6437	3	Front transfer bellcrank
10	12G6435	3	Front V block guide
11	56P0172	2	BOR spring, cyan
12	56P0171	2	BOR spring, magenta
13	56P0173	2	BOR spring, black
14	56P0182	1	Front V block guide, black
15	12G6436	1	ITU black transfer front bellcrank
16	12G6445	1	TFR rear bellcrank, black
17	56P0181	1	Rear V block guide, black
18	12G6439	1	Black terminal contact assembly
19	12G6440	1	Magenta terminal contact assembly
20	12G6441	1	Cyan terminal contact assembly
21	56P0594	1	Cam, BOR front
22	56P0595	1	Cam, BOR rear

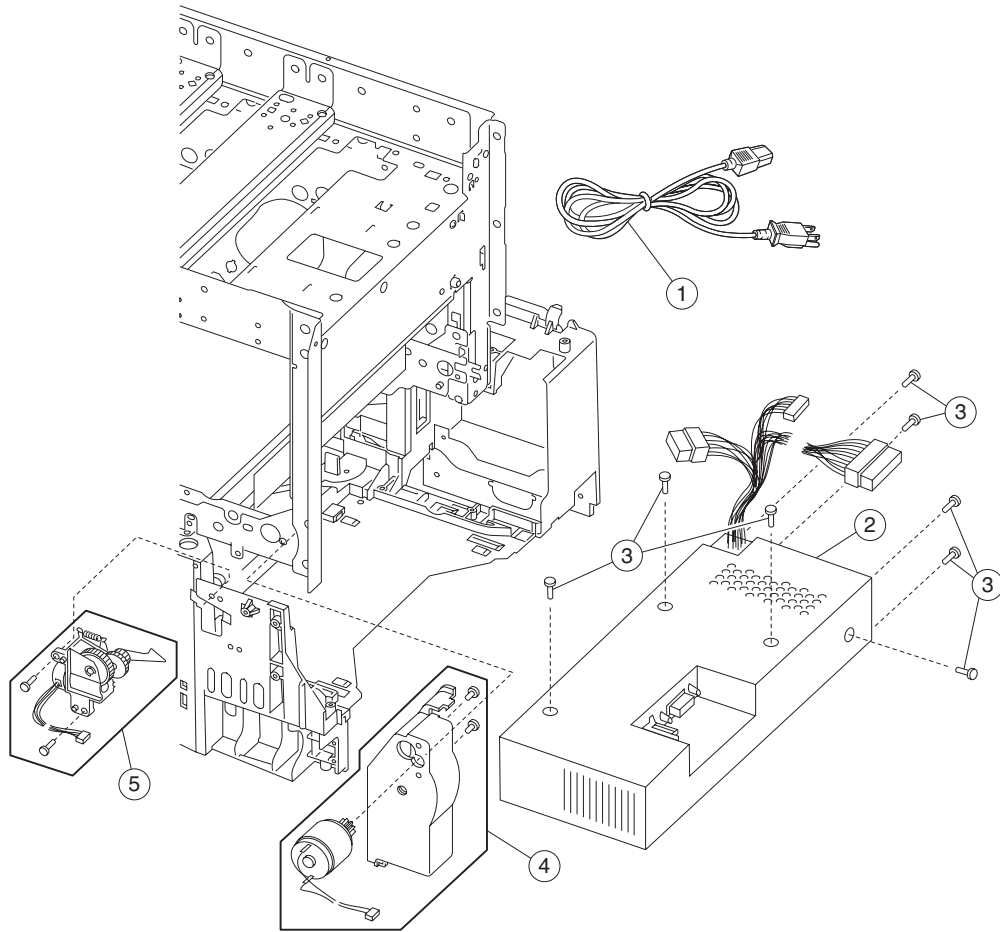
Assembly 12: Cartridge contact assembly



Assembly 12: Cartridge contact assembly

Asm- Index	Part number	Units	Description
12-1	56P0310	1	Cartridge contact assembly, complete
2	12G6374	8	Developer pin spring
3	12G6372	1	Plug spring
4	12G6375	1	Toner level spring
5	12G6362	1	Spring toner plug
6	12G6371	6	Contact pin
7	12G6363	1	Housing, cartridge contacts
8	12G6378	1	Cartridge support roller
9	12G6367	1	TAR contact
10	12G6366	1	Developer roll contact
11	12G6368	1	Doctor blade contact
12	12G6370	1	Charge roll contact
13	12G6369	1	PC drum contact
14	12G6365	1	Cap, developer contacts
15	12G6379	1	Smart chip cable assembly
16	12G6364	1	Cleaner contacts cap
17		2	Screw, PP 12G6309
18	12G6373	4	Cleaner pin spring
19	12G6377	1	Rear hold down bellcrank
20	12G6376	1	Rear hold down spring

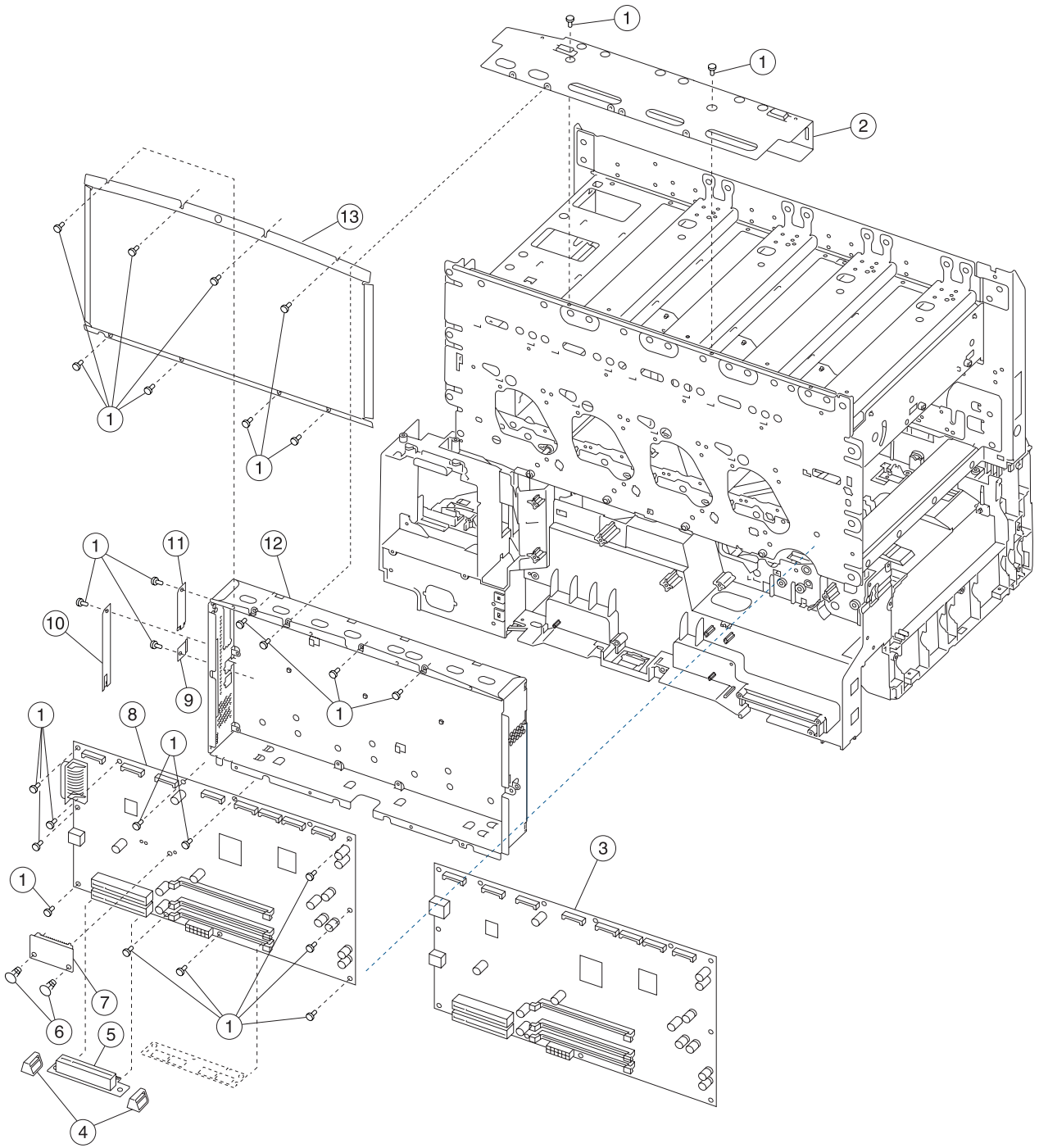
Assembly 13: Electronics



Assembly 13: Electronics

Asm-Index	Part number	Units	Description
13-1	11A9095	1	Power cord set U.S., Canada (LV), Brazil (LV), Colombia (LV), Costa Rica (LV), Dominican Republic (LV), Ecuador (LV), El Salvador (LV), Guatemala (LV), Honduras (LV), Nicaragua (LV), Panama (LV), Venezuela (LV), Puerto Rico (LV), Virgin Islands (LV) Mexico (LV), Asia Pacific (english) LV, Japan (LV), Taiwan (LV), Saudi Arabia (LV),
1	43H5544	1	Power cord set PRC (HV)
1	1339517	1	Power cord set Bolivia (HV), Peru (HV)
1	1339519	1	Power cord set Kuwait (HV), Bahrain (HV), Qatar (HV), UAE (HV), Oman (HV) Pakistan (HV), Yemen (HV), Iraq (HV), Libya (HV), Cyprus (HV), UK (HV), Ireland (HV)
1	1339520	1	Power cord set Brazil (HV), Paraguay (HV), Uruguay (HV), African Countries Denmark (HV), Austria (HV), Czech (HV) Slovak countries (HV), Greece (HV), Hungary (HV), Finland (HV), Norway (HV), Sweden (HV), France (HV), Belgium (HV), Netherlands (HV), Germany (HV), Italy (HV), Lebanon (HV), Syria (HV), Egypt (HV), Jordan (HV), Iran (HV), Euro English (HV), Albania (HV), Bosnia (HV), Bulgaria (HV), Croatia (HV), Slovenia (HV), Macedonia (HV), Yugoslavia (Serbia and Montenegro) (HV), Romania (HV), Iceland (HV) Poland (HV), Russia (HV), Turkey (HV), CIS (HV), Spain (HV), Catalan (HV), Portugal (HV),
1	1339521	1	Power cord set Israel (HV)
1	1339522	1	Power cord set Switzerland HV (French/German and Italian)
1	1339523	1	Power cord set South Africa (HV), Namibia (HV), Lesotho (HV), Botswana (HV)
1	1339524	1	Power cord set Chile (HV)
1	1339525	1	Power cord set Denmark, (HV)
1	1339544	1	Power cord set Argentina (HV)
2	12G6329	1	LVPS, 115V
2	12G6330	1	LVPS, 220V
3		8	Screw, PP 12G6540
4	12G6446	1	BOR housing assembly with motor
5	12G6543	1	Web oiler index drive assembly

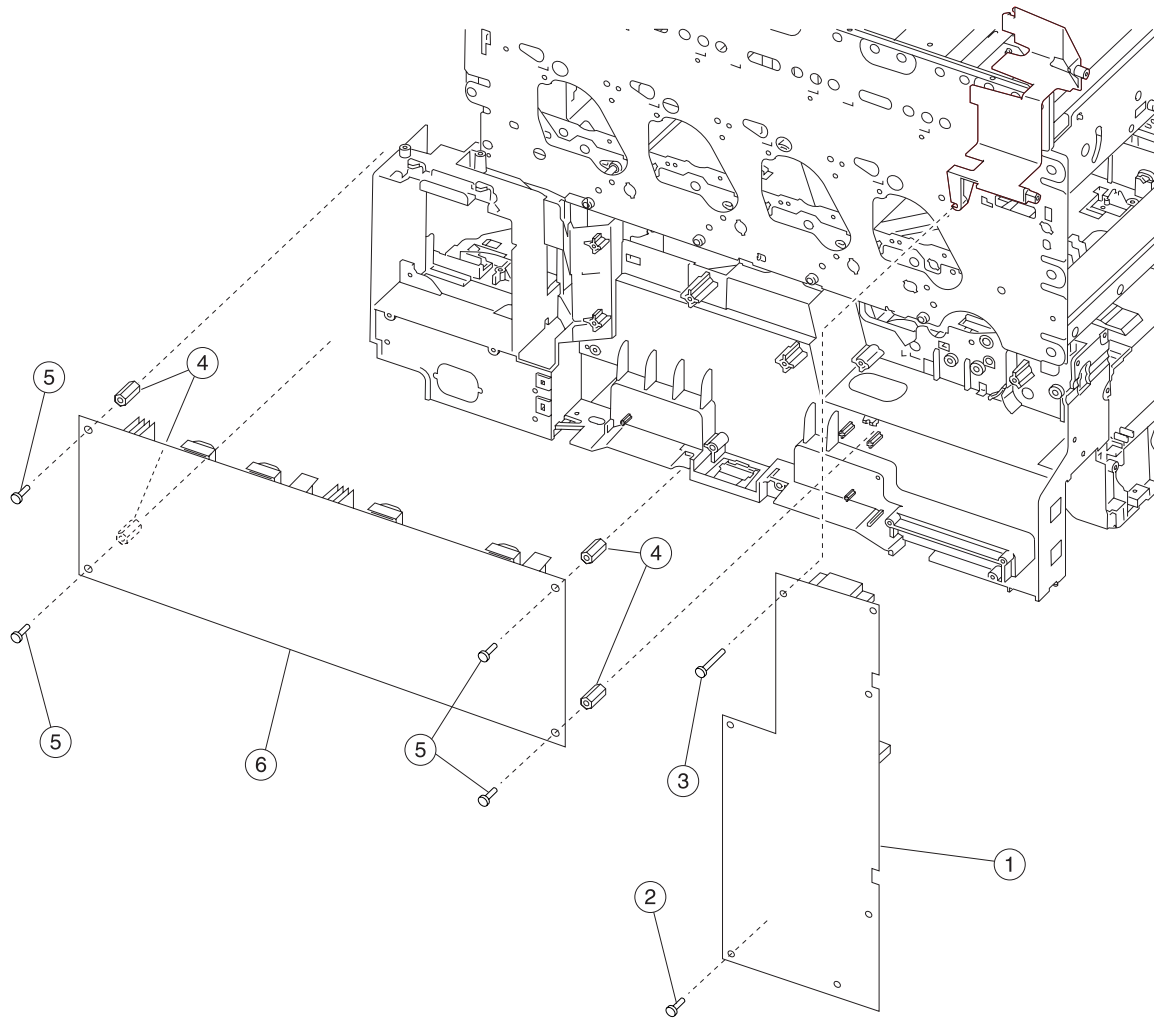
Assembly 13.1: Electronics



Assembly 13.1: Electronics

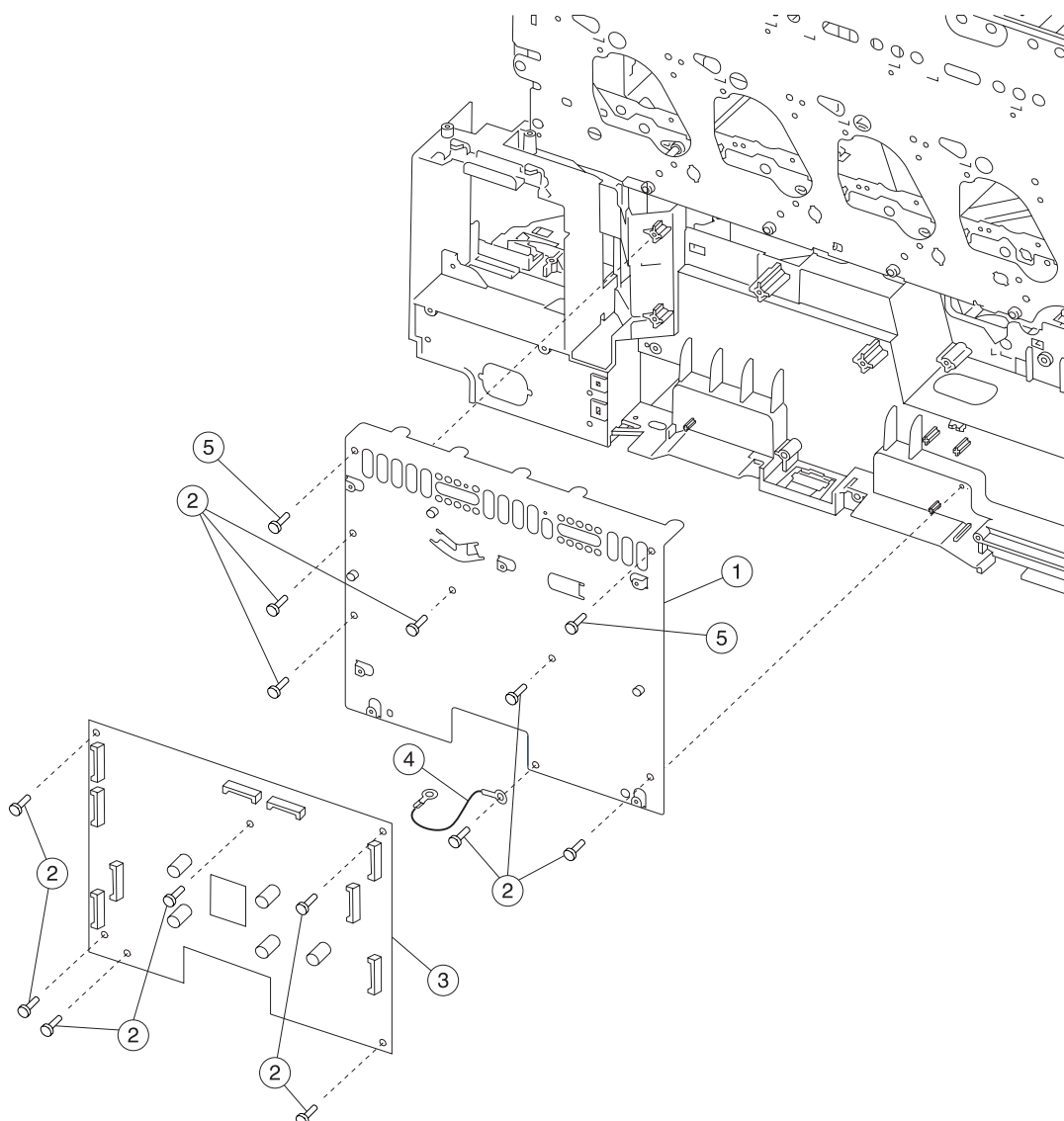
Asm-Index	Part number	Units	Description
13.1-1		22	Screw, PP 12G6309
2	12G6331	1	RIP board ground shield
3	56P1188	1	RIP board assembly - network, model 5060-002
4	12G6334	2	INA riser support bracket
5	12G6326	1	Riser card assembly w/o support brackets
6	12G6335	1	Standoff, INA RIP spacer
7	56P9910	1	SDRAM DIMM 128MB
7	12G6509	1	SDRAM DIMM 64MB
8	56P1187	1	RIP board assembly, non-network, Model 5060-001
9	99A1611	1	Ethernet blank shield, use with non-network RIP boards
10	99A0408	1	INA blank flat shield, use when options are not installed
11	99A2432	1	Blank parallel shield, use with network RIP boards
12	12G6333	1	RIP board shield assembly
13	12G6332	1	RIP board cover shield
NS	99A0426	1	Screw, parallel connector mounting
NS	12G6310	1	Cable, video printhead - Y
NS	12G6311	1	Cable, video printhead - C
NS	12G6312	1	Cable, video printhead - M
NS	12G6313	1	Cable, video printhead - K
NS	12G6314	1	Cable, LEXPSD -YC
NS	12G6315	1	Cable, LEXPSD - MK
NS	12G6316	1	Cable, HVPS control - developer
NS	12G6317	1	Cable, HVPS control - transfer
NS	12G6318	1	Cable, RIP-engine, comm and CT.
NS	12G6319	1	Cable, options - stacker
NS	12G6320	1	Cable, options - bottom
NS	12G6321	1	Cable, operator panel
NS	12G6349	1	Cable, fuser and yellow cartridge motor
NS	12G6350	1	Cable, cyan and magenta cartridge motor
NS	12G6351	1	Cable, ITU and black (K) cartridge motor
NS	12G6379	1	Cable, Smart chip
NS	12G6387	1	Cable, ground
NS	12G6448	1	Cable, MPF paper level
NS	12G6503	1	Cable, printhead Interlock/cover open
NS	12G6504	1	Cable, HVPS interlock/cover open
NS	56P0311	1	Cable, ITU/machine autoconnect

Assembly 13.2: Electronics



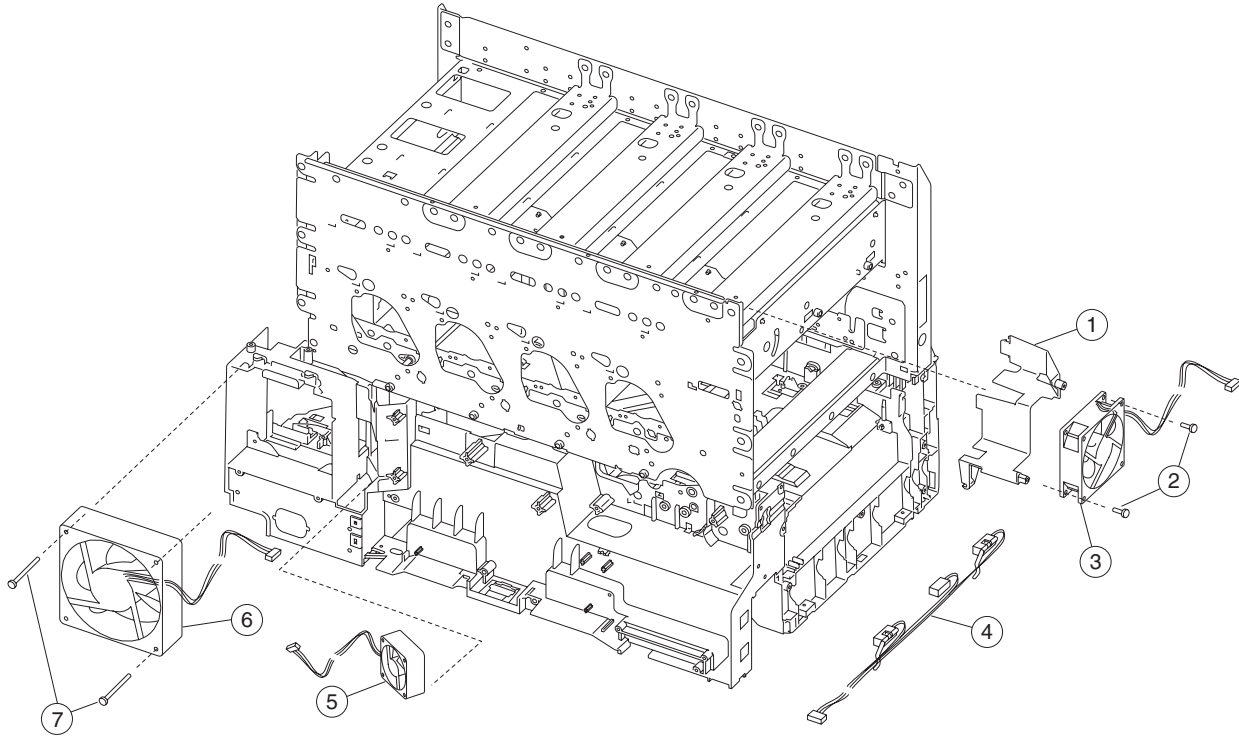
Asm-Index	Part number	Units	Description
13.2-1	12G6327	1	Transfer HVPS board
2		1	Screw, PP 12G6309
3		1	Screw, PP 12G6530
4	12G6541	4	Standoff, high voltage power supply - developer
5		4	Screw, PP 12G6540
6	12G6328	1	Developer HVPS board

Assembly 13.3: Electronics



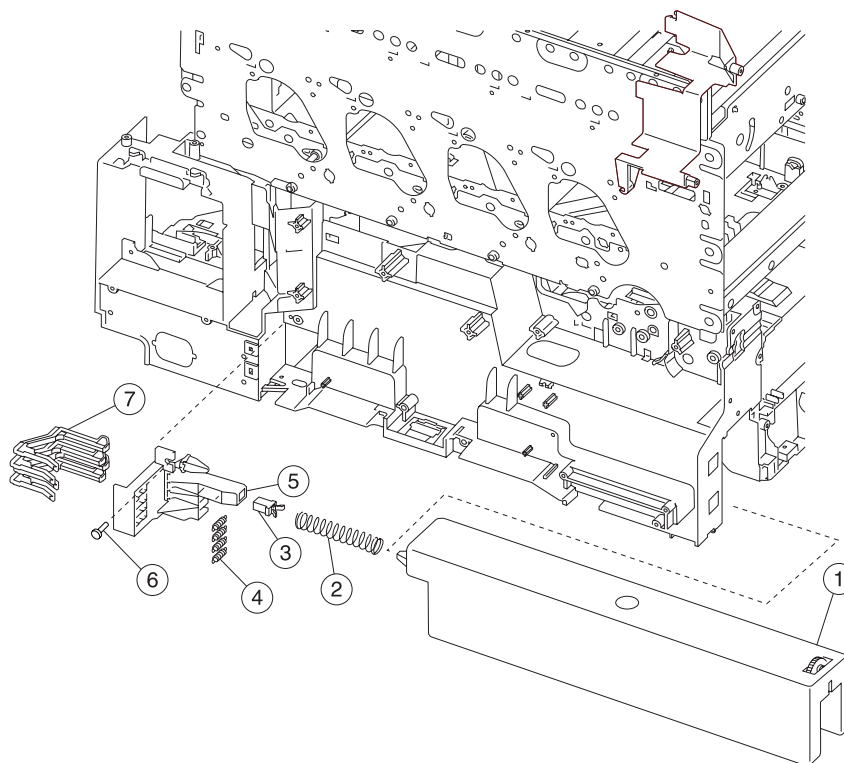
Asm-Index	Part Number	Units	Description
13.3-1	12G6336	1	Engine board shield
2		12	Screw, PP 12G6531
3	12G6323	1	Engine board
4	12G6387	1	Ground strap
5		14	Screw, PP 12G6309

Assembly 13.4: Electronics



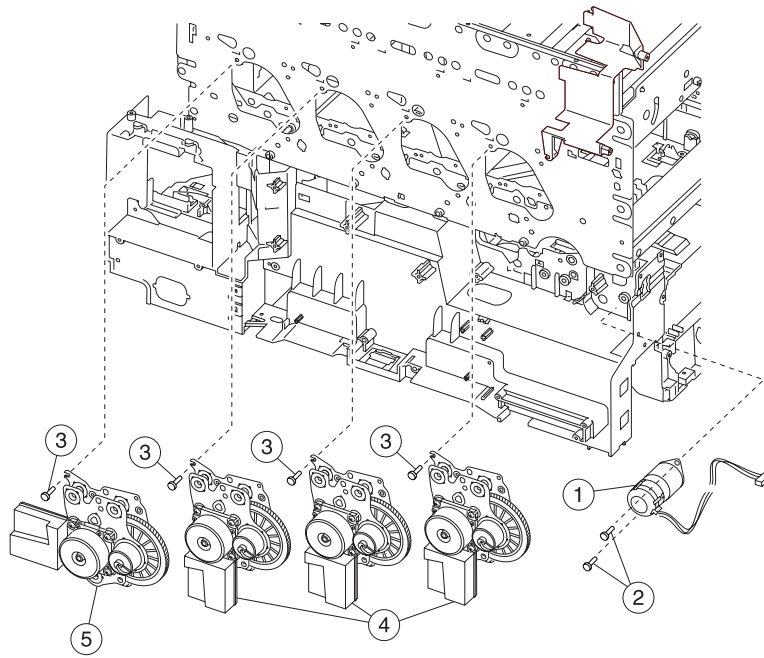
Asm-Index	Part Number	Units	Description
13.4-1	12G6343	1	RIP fan duct
2		2	Screws, PP 12G6530
3	12G6361	1	RIP fan
4	12G6486	1	S2/transparency/narrow media sensor assembly
5	12G6479	1	VTB fan
6	12G6382	1	Fuser fan
7	12G6529	2	Screws, fuser fan mounting
NS	12G6490	1	VTB fan gap cover

Assembly 13.5: Electronics



Asm-Index	Part Number	Units	Description
13.5-1	12G6494	1	Waste toner container
2	12G6470	1	Waste container latch spring
3	12G6469	1	Waste container latch
4	12G6467	4	Paper size sensing spring
5	12G6468	1	Paper size sensing bracket
6		1	Screw, paper size sensing assembly mounting PP 12G6531
7	12G6466	4	Paper size sensing link
NS	12G6472	1	Bracket tray interlock
NS	12G6505	1	Waste toner full sensor

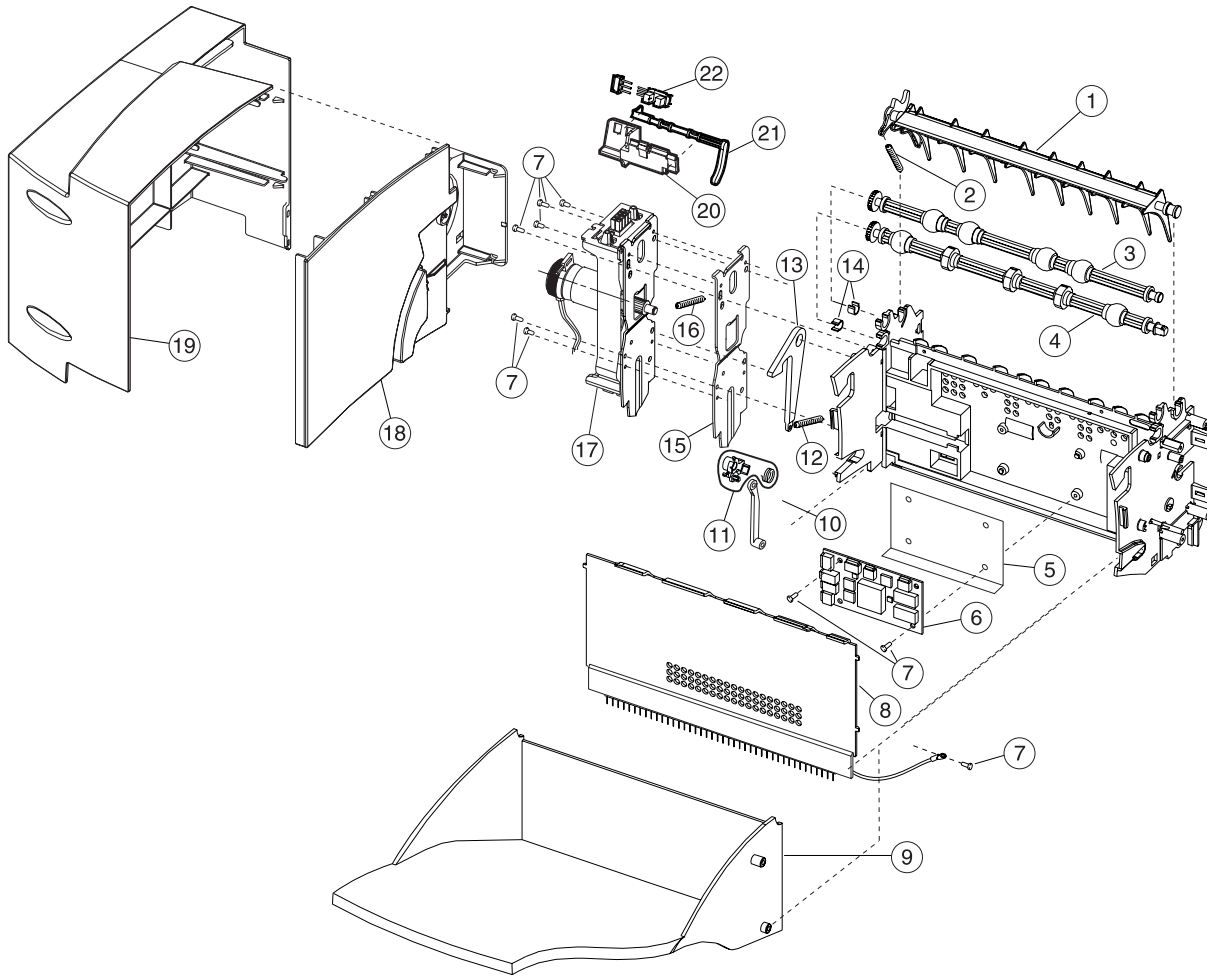
Assembly 13.6: Electronics



Assembly 13.6: Electronics

Asm- Index	Part Number	Units	Description
13.6-1	12G6480	1	Staging motor assembly
2		2	Screw, PP 12G6533
3		4	Screw, PP 12G6530
4	56P1214	3	Cartridge drive assembly, cyan/magenta/black
5	56P1215	1	Cartridge drive assembly, yellow

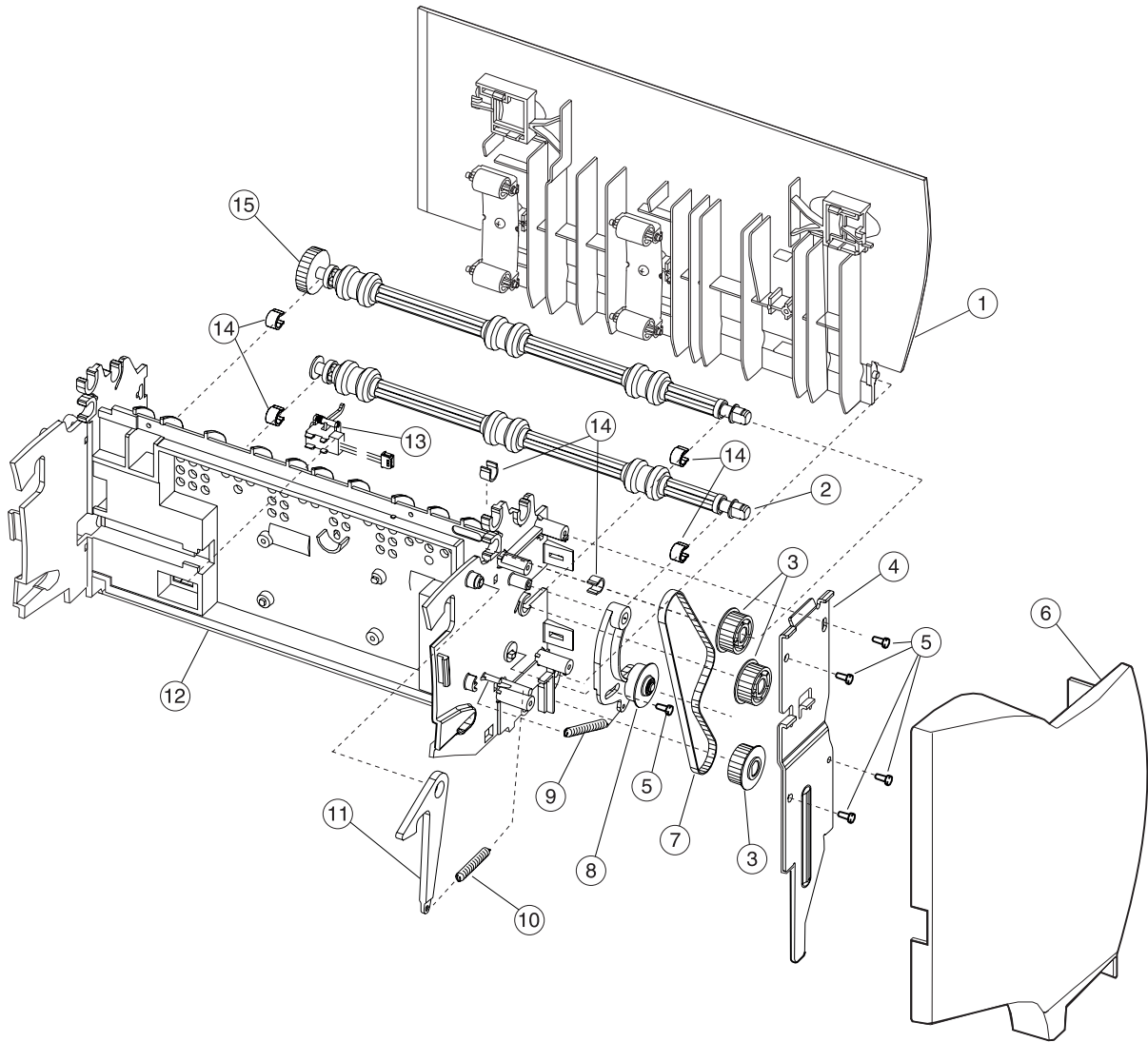
Assembly 14: Output Expander



Assembly 14: Output Expander

Asm- Index	Part number	Units	Description
14-1	99A0107	1	Deflector, upper redrive, also order 99A0104
2	99A0104	1	Spring, upper diverter
3	99A0369	1	shaft assembly, exit, also order PP 99A0572
4	99A0052	1	Shaft assembly, lower exit, also order PP 99A0572
5	56P0407	1	Shield, output option card
6	99A0915	1	Board, Output Expander DC motor
7		9	Screw, PP 56P0167
8	56P0409	1	Cover, front control board
9	99A1817	1	Tray, Output Expander
10	99A1688	1	Diverter arm
11	99A1689	1	Spring clutch assembly
12	99A0482	1	Spring, output tray
13	99A0481	1	Latch, output tray
14		2	Shaft bearing PP 99A0572
15	99A1784	2	Bracket, attach
16	99A0415	2	Spring, swing arm
17	56P0408	1	Output Expander assembly, mechanical linkage
18	56P0402	1	Cover, rear support
19	56P0401	1	Rear cover
20	99A0409	1	Level sensor bracket
21	99A1580	1	Flag, output paper level
22	99A0414	1	Sensor, dual bin full

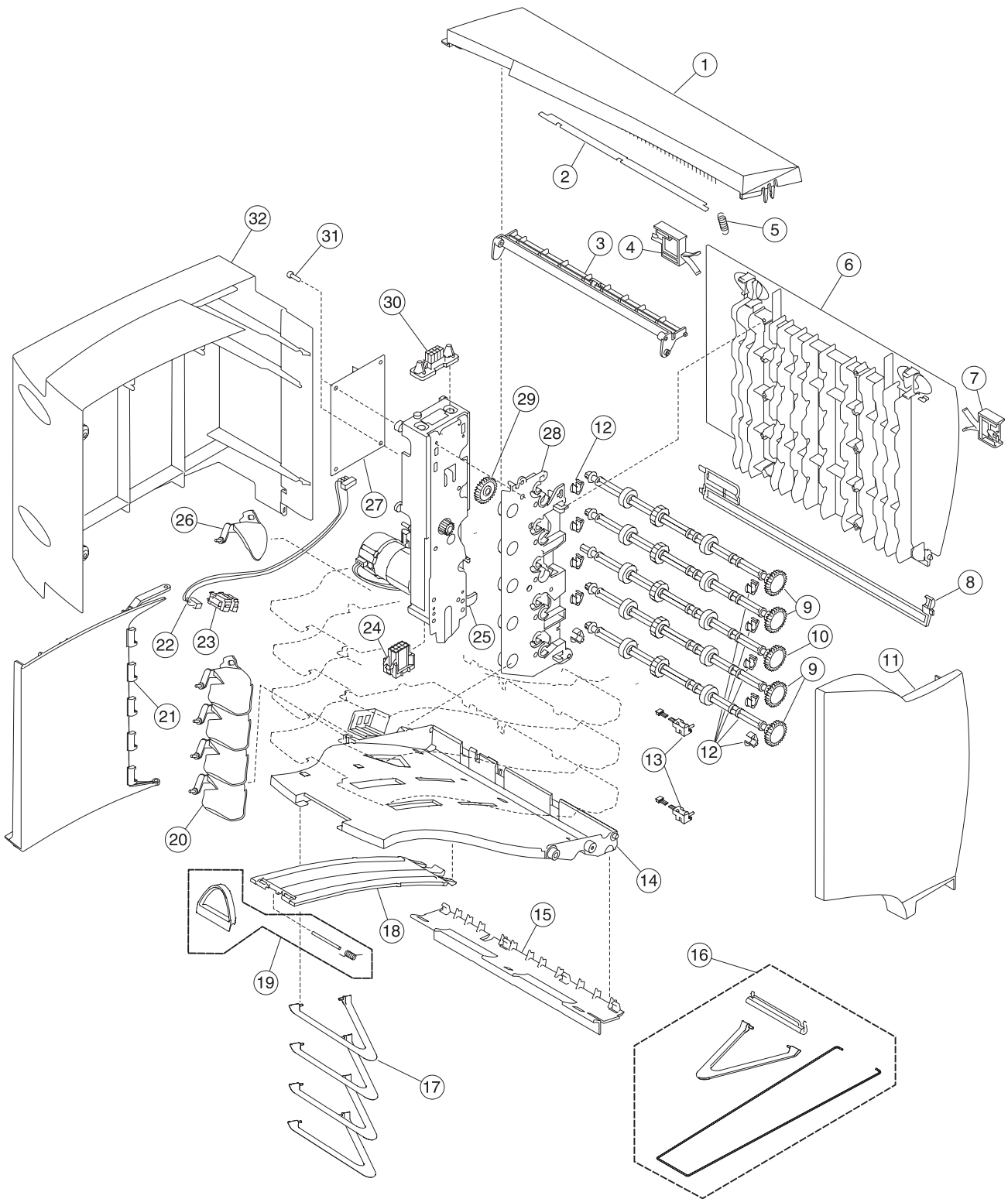
Assembly 14.1: Output Expander



Assembly 14.1: Output Expander

Asm- Index	Part number	Units	Description
14.1-1	56P0405	1	Door assembly, right jam access
2	99A0368	1	Shaft assembly, lower, also order PP 99A0572
3	99A0363	3	Pulley, drive
4	56P0410	2	Bracket, attach
5		11	Screw, PP 56P0167
6	56P0400	1	Cover, front
7	99A0361	1	Belt, 160 gear
8	99A0362	1	Arm assembly, belt idler
9	99A0364	1	Spring, belt tensioner
10	99A0482	1	Spring, output tray
11	99A0481	1	Latch, output tray
12	99A0912	1	Frame assembly
13	99A0351	1	Sensor, Output Expander pass thru
14		6	Shaft bearing PP 99A0572
15	99A0913	1	Shaft assembly, middle 40T, also order PP 99A0572
NS	99A1744	1	Kit, Multi-Bin Stacker

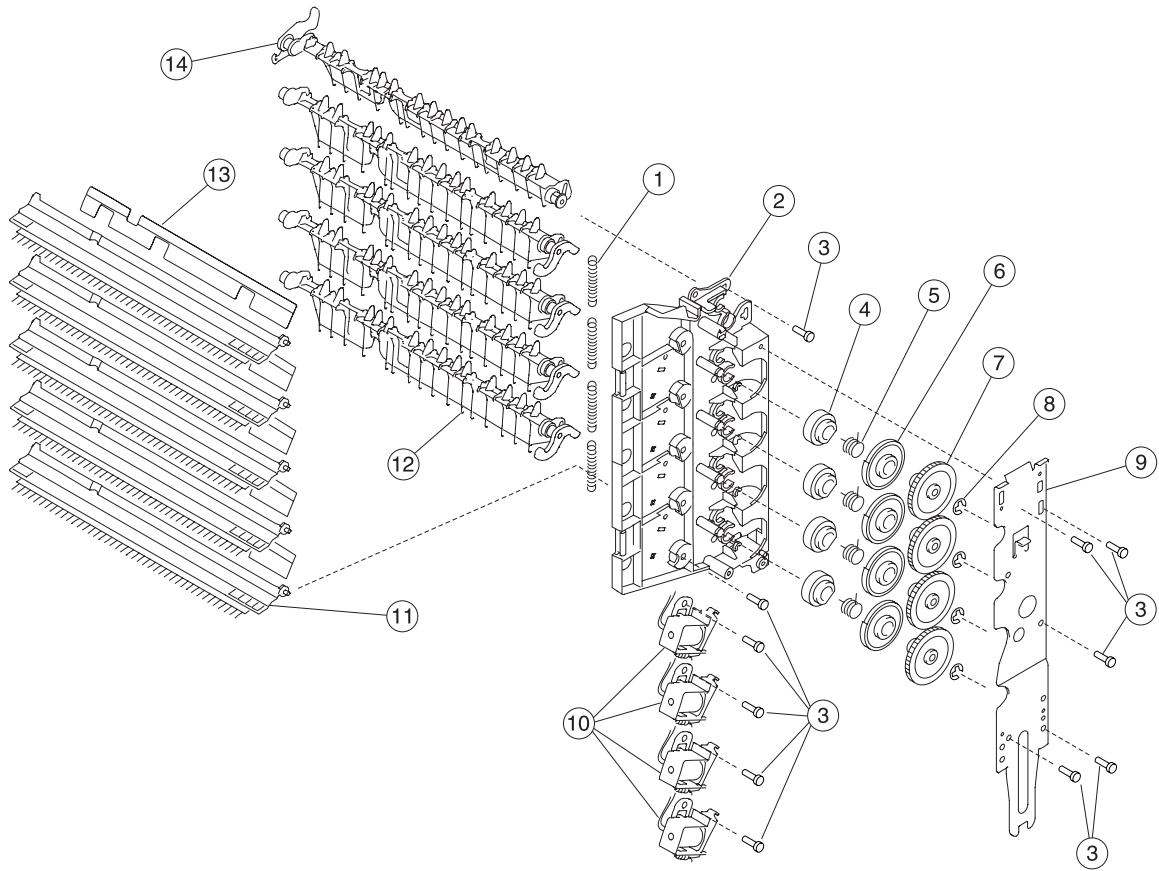
Assembly 15: 5-Bin Mailbox



Assembly 15: 5-Bin Mailbox

Asm-Index	Part number	Units	Description
15-1	99A1512	1	Cover, redrive cap
2	99A1710	1	Cover, wire
3	56P0416	1	Cover, top bin
4	56P0423	1	Latch, rear access door
5	99A0104	1	Spring, upper diverter
6	56P0411	1	Door, front
7	56P0422	1	Latch, access door front
8	56P0415	1	Cover, right
9	99A1723	4	Shaft asm, drive
10	99A1724	1	Shaft asm, drive with gear
11	99A1708	1	Cover, right side
12	99A1725	1	Packet, drive shaft bushing
13	99A1742	2	Sensor, 5-Bin Mailbox pass thru
14	99A1712	5	Tray, paper cap
15	56P0420	1	Bracket asm, bail attach
16	99A1743	1	Kit, 5-Bin Mailbox asm
17		1	Bail, order 99A1743, 5-Bin Mailbox asm kit
18	99A1713	5	Support, paper tray
19	99A1687	5	Stop asm, paper tray
20	99A1735	4	Flag, bin full
21	56P0412	1	Rear structural cover
22	99A1736	5	Cable, dual sensor
23	99A1737	5	Sensor, dual bin level
24	99A1718	1	Cable asm, lower autoconnect
25	99A1716	1	Drive asm, main DC drive
26	56P0417	1	Flag, bin full
27	99A1740	1	Board asm, 5-Bin Mailbox system
28	99A1726	1	Frame asm, left w/clutch asm
29	99A1786	1	Gear, drive
30	99A1719	1	Cable asm, upper autoconnect
31		12	Screw, board mounting PP 99A0263
32	56P0413	1	Cover, left side

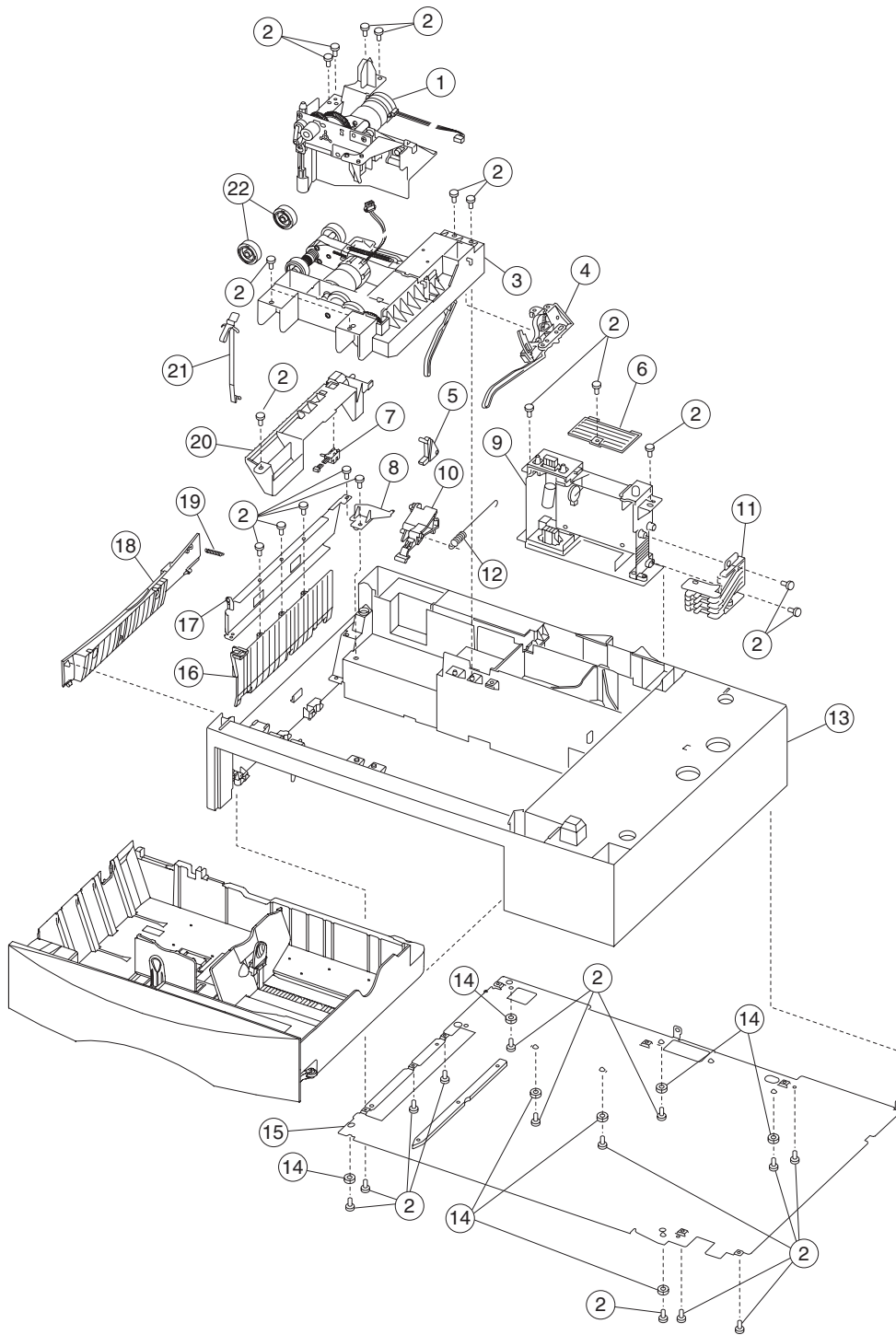
Assembly 15.1: 5-Bin Mailbox



Assembly 15.1: 5-Bin Mailbox

Asm-Index	Part number	Units	Description
15.1-1	99A1741	4	Spring, diverter
2	99A1727	1	Frame asm, right side
3		12	Screw, board mounting PP 12G6309
4	99A1728	4	Cam, diverter actuator
5	99A1731	4	Spring, diverter actuator
6	99A1729	4	Latch, diverter actuator
7	99A1730	4	Arbor, diverter actuator
8	99A1789	4	C-clip
9	56P0418	1	Bracket, attach front
10	99A1732	4	Solenoid, diverter
11	99A1738	5	Deflector, paper exit w/brush
12	99A1722	4	Deflector, paper
13	99A1787	4	Deflector
14	99A1721	1	Deflector, paper top bin
NS	99A1734	1	Spring, static ground
NS	99A0462	1	Grease packet, IBM #23
NS	99A1715	1	Roller asm, rear access door
NS	99A1717	1	Gear, drive
NS	99A1788	1	Retainer, R-ring
NS	99A0450	10	Retainer
NS	56P0550	1	Cable, tray media level sensor

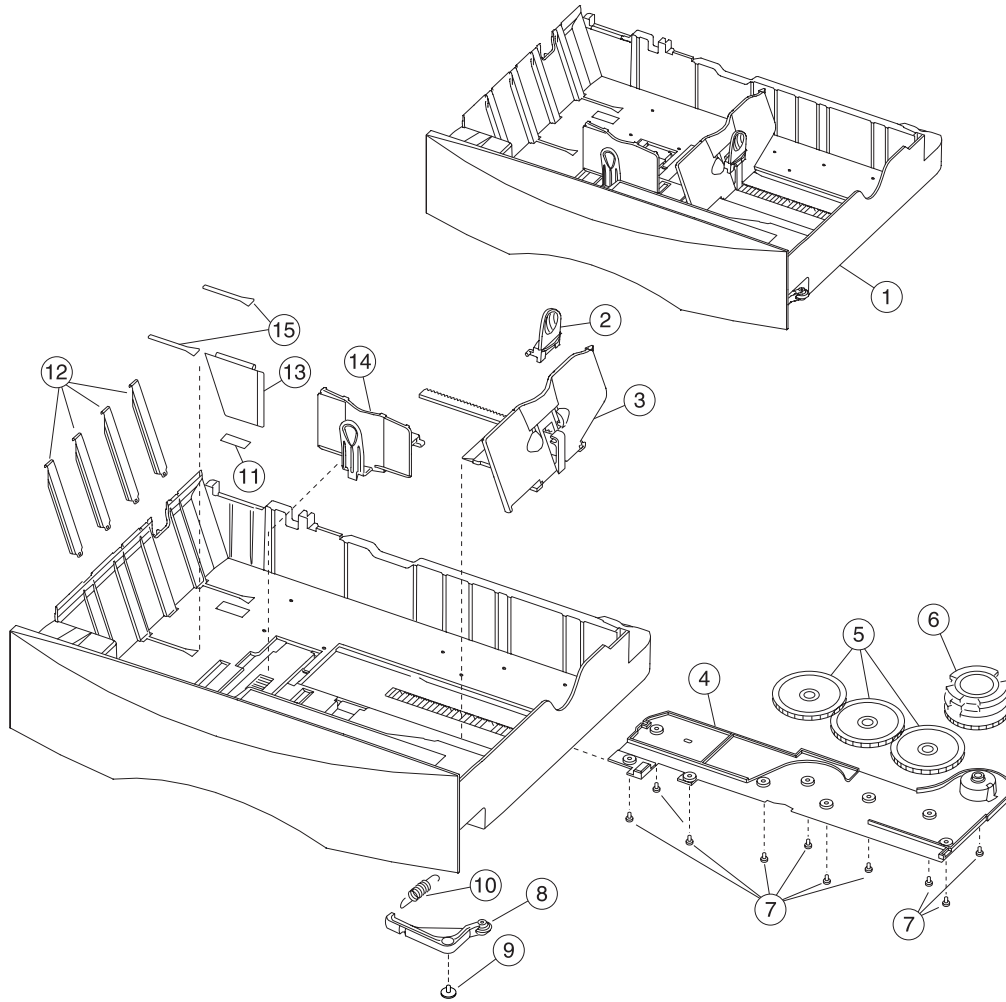
Assembly 16: 500-Sheet Drawer Option



Assembly 16: 500-Sheet Tray Option

Asm-Index	Part number	Units	Description
16-1	56P0168	1	Drive assembly, 500 option 2
2		31	Screw, PP 12G6309
3	12G6550	1	500-Sheet Option tray pick assembly
4	12G6565	1	Paper level sensing assembly
5	12G6471	1	Tray interlock bellcrank
6	12G6556	1	Cover, frame
7	12G6553	1	Pass thru sensor
8	12G6562	1	Hinge
9	12G6559	1	Electronics/size sensing assembly with system board
10	12G6558	1	Pick arm lift bellcrank
11	12G6566	1	Paper size sensing assembly
12	12G6557	1	Bellcrank lift spring
13	12G6560	1	500 base assembly
14	12G6380	7	Machine pad
15	56P0169	1	Plate, 500 support assembly
16	12G6554	1	Paper guide
17	12G6563	1	Wall support plate
18	12G6552	1	Base door assembly
19	12G6561	1	Spring
20	12G6555	1	500 option deflector
21	12G6567	1	Grounding spring
22	99A0070	2	Pick roll tires
NS	12G6510	4	Cable tie

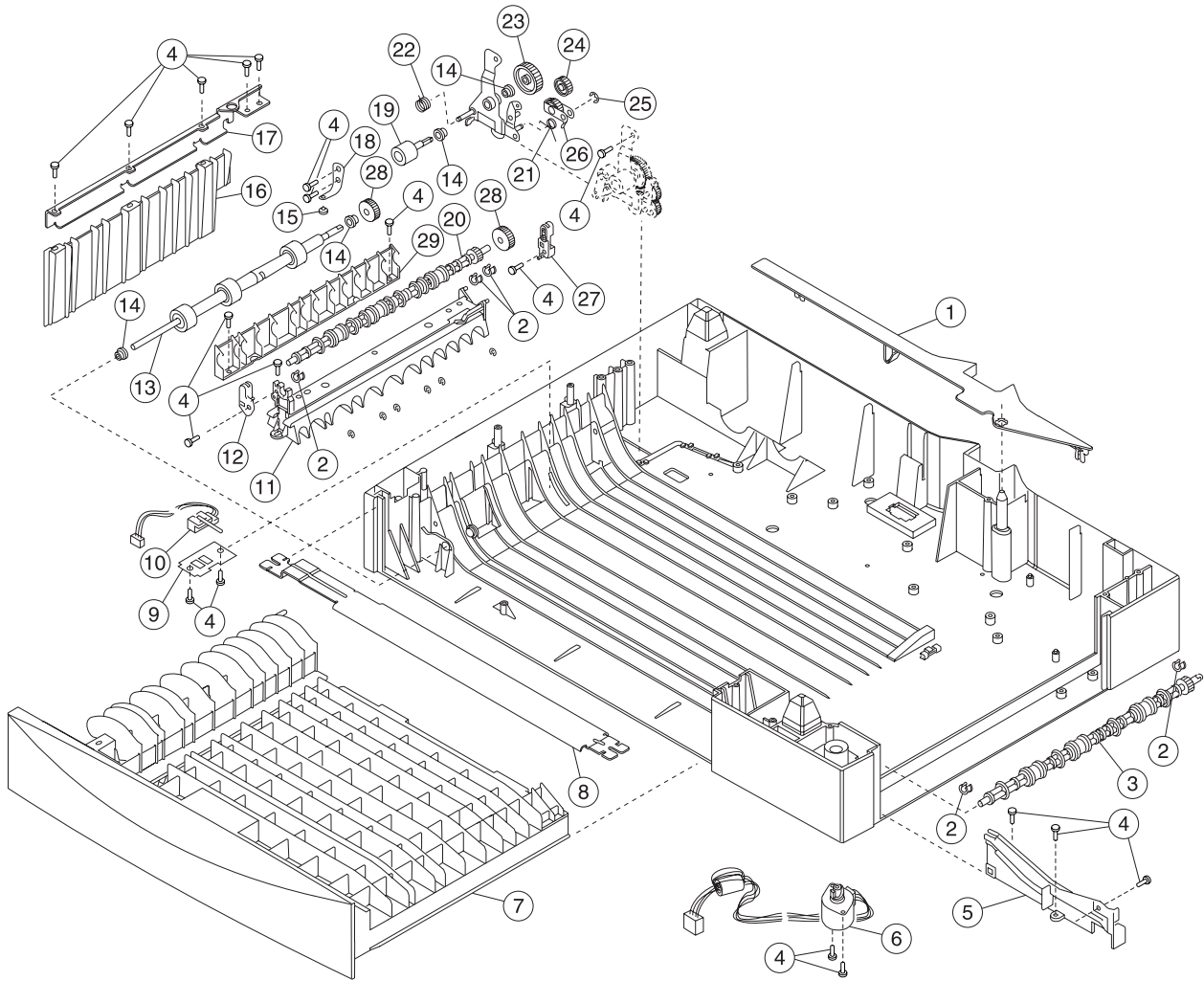
Assembly 16.1: 500-Sheet Tray Option



Assembly 16.1: 500-Sheet Tray Option

Asm- Index	Part number	Units	Description
16.1-1	12G6416	1	500-Sheet tray assembly
2	12G6419	1	Back restraint latch
3	12G6418	1	Back restraint
4	12G6424	1	Size sensing gear cover
5	12G6423	3	Size sensing gear
6	12G6422	1	Size sensing barrel cam
7	12G6538	10	Screw, M 3x5mm
8	12G6425	1	Tray bias bellcrank assembly
9		1	Screw, PP 12G6533
10	12G6426	1	Tray bias spring
11	12G6568	1	Reflector label
12	12G6421	1	Wear strip
13	12G6420	1	Tray wear clip
14	12G6417	1	Side restraint
15	56P1504	2	Active restraint pad

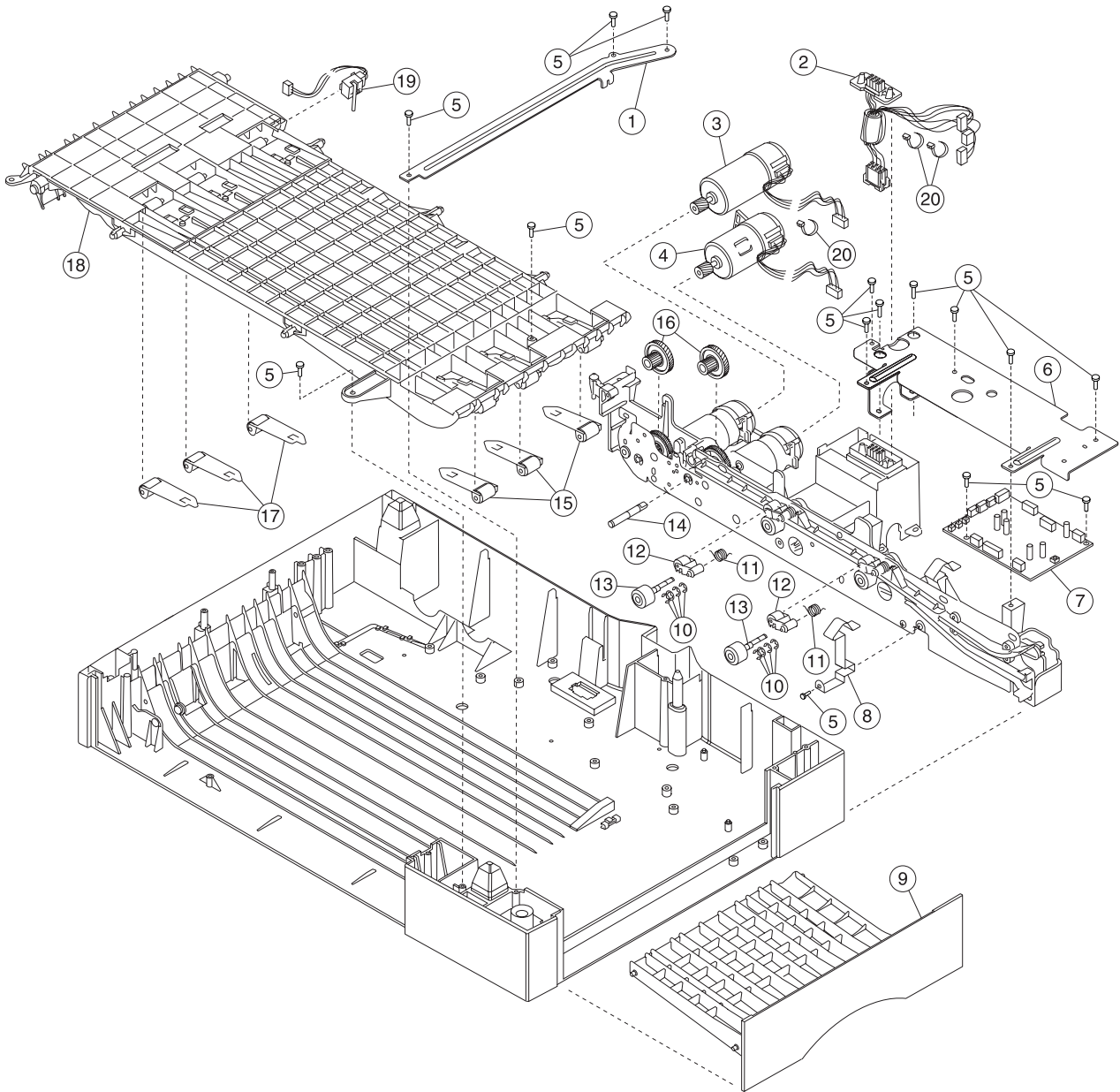
Assembly 17: Duplex Option



Assembly 17: Duplex Option

Asm-Index	Part number	Units	Description
17-1	56P0480	1	Back cover
2	99A2540	5	Redrive bearing
3	56P0447	1	Duplex entry shaft assembly
4		20	Screw PP 12G6533
5	56P0434	1	Right side front tray guide
6	56P0483	1	Deflector actuator assembly
7	56P0432	1	Duplex front jam tray assembly
8	56P0457	1	Duplex support bracket
9	56P0455	1	Sensor mount plate
10	56P0442	1	Duplex exit sensor
11	56P0435	1	Duplex shaft mount
12	56P0479	1	Front decurl assembly
13	56P0444	1	F/R backup shaft assembly
14	56P0476	3	5 mm bushing
15	56P0473	1	Brake pad
16	56P0439	1	Duplex paper guide
17	56P0454	1	Wall support
18	56P0475	1	Brake spring
19	56P0472	1	Pass thru shaft assembly
20	56P0441	1	Duplex shaft assembly
21	56P0468	1	Pass thru spring
22	56P0470	1	Aligner arm spring
23	56P0466	1	Spur drive gear
24	56P0467	2	26T duplex gear
25	99A0267		Retainer PP 99A0267
26	56P0471	1	Bellcrank assembly
27	56P0474	1	Decurl BAC assembly
28	56P0445	1	40T shaft drive F/R gear
29	56P0449	1	Support decurl guide
NS	56P0482	1	Pulley washer

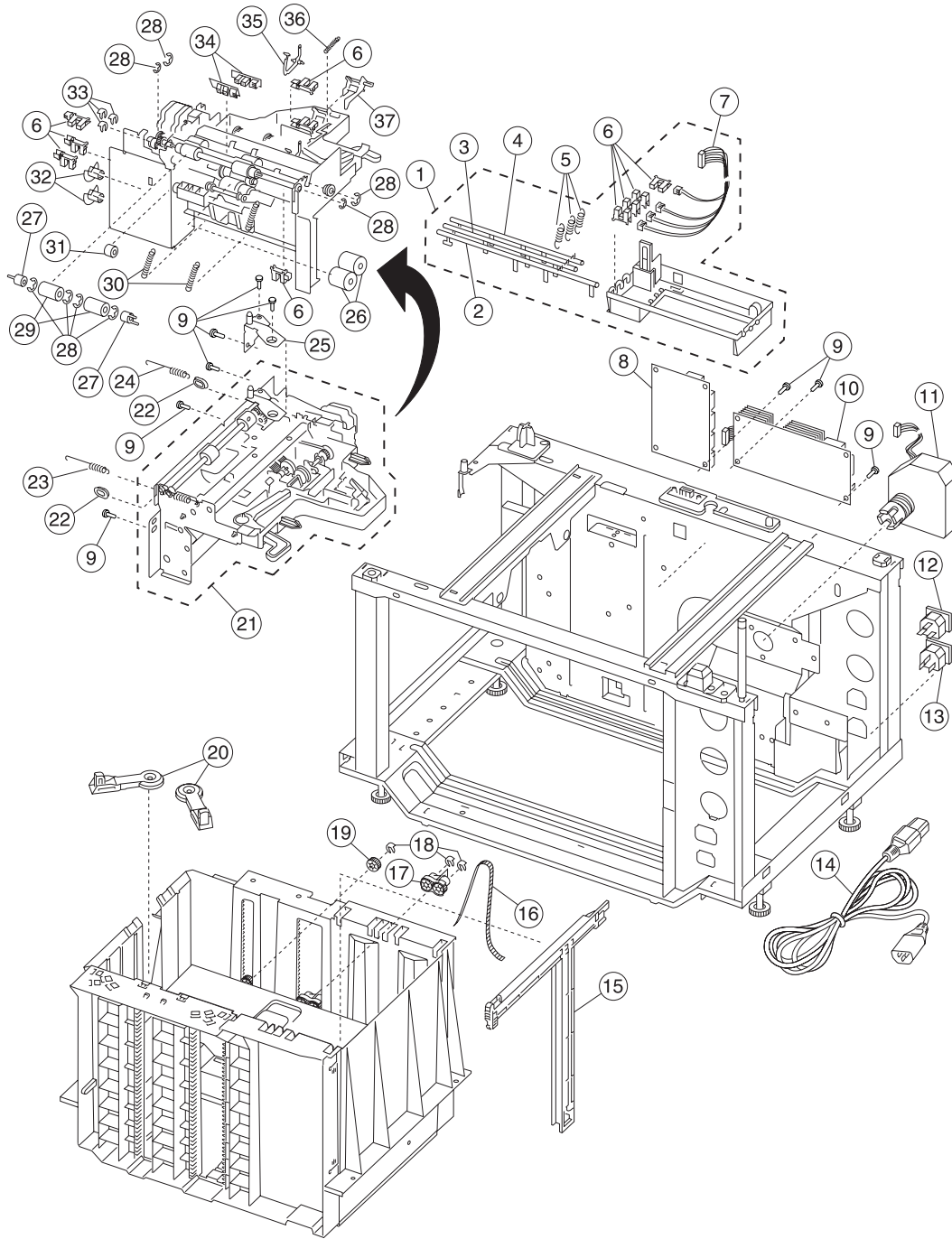
Assembly 17.1: Duplex Option



Assembly 17.1: Duplex Option

Asm- Index	Part number	Units	Description
17.1-1	56P0456	1	Duplex support plate
2	56P0462	1	Autoconnect cable assembly
3	56P0463	1	DC forward/reverse motor assembly
4	56P0464	1	DC duplex feed motor
5		1	Screw PP 12G6309
6	56P0459	1	Back support
7	56P0430	1	Duplex card assembly
8	56P0458	1	Chassis ground spring
9	56P0433	1	Right jam clearance tray assembly
10	99A1789	1	Retainer, C-clip
11	56P0478	2	Aligner spring
12	99A0323	2	Paper guide assembly
13	56P0465	2	Drive alignment shaft assembly
14	56P0477	1	Reduction gear shaft
15	56P0451	3	Backup spring assembly
16	99A1717	2	32 ppm drive gear
17	56P0452	3	Backup spring assembly
18	56P0436	1	Upper rib assembly
19	56P0437	1	Duplex output sensor
20	12G6510	6	Cable Tie (6 in pack)
NS	99A0323	2	Paper guide assembly

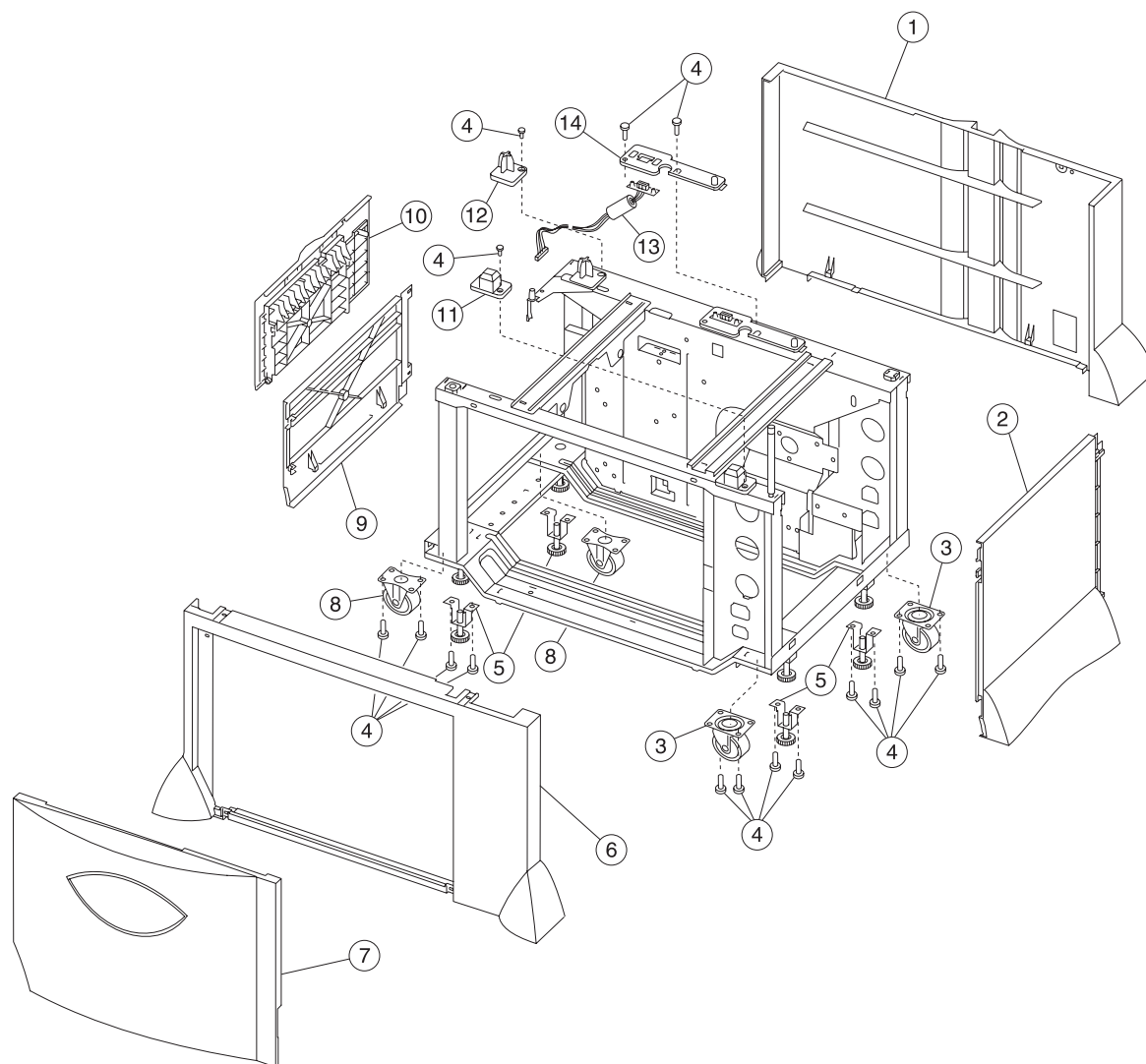
Assembly 18: HCIT



Assembly 18: HCIT

Asm- Index	Part number	Units	Description
18-1	56P0561	1	Paper size sensor box assembly
2	56P0519	1	Flag, paper size R
3	56P0520	1	Flag, paper size F
4	56P0518	1	Flag, paper size C
5	56P0522	3	Spring, paper size flag
6	56P0516	10	Sensor, photo interrupter
7	56P0511	1	Paper size sensors cable
8	56P0494	1	System control board
9			Screws PP 56P0565
10	56P0495	1	LVPS
11	56P0513	1	Elevator motor assembly
12	56P0497	1	AC power outlet
13	56P0498	1	AC power inlet
14	56P0490	1	Jumper, AC power cord
15	56P0524	1	Paper tray guide
16	56P0547	1	Elevator lift belt
17	56P0549	1	Elevator lift
18	56P0563	3	Ring 7, elevator lift gear/elevator lift
19	56P0548	1	Elevator lift gear
20	56P0523	2	Paper tray arms
21	56P0525	1	Feed unit, complete assembly
22	56P0527	2	Bushing
23	56P0533	1	Spring, feed unit front
24	56P0534	1	Spring, feed unit rear
25	56P0562	1	Feed cover
26	56P0542	2	Separation/torque roller
27	56P0529	2	Feed cam
28			E-clips PP 56P0531
29	56P0528	2	Feed roller
30	56P0530	2	Spring, feed unit
31	56P0532	1	Bushing, 060
32	56P0544	2	Emitter timing wheel
33	56P0535	3	Clip, plastic 5W
34	56P0526	2	Sensors, special optical
35	56P0536	1	Level sensor flag
36	56P0540	1	Spring, extension
37	56P0539	1	Near empty sensor flag

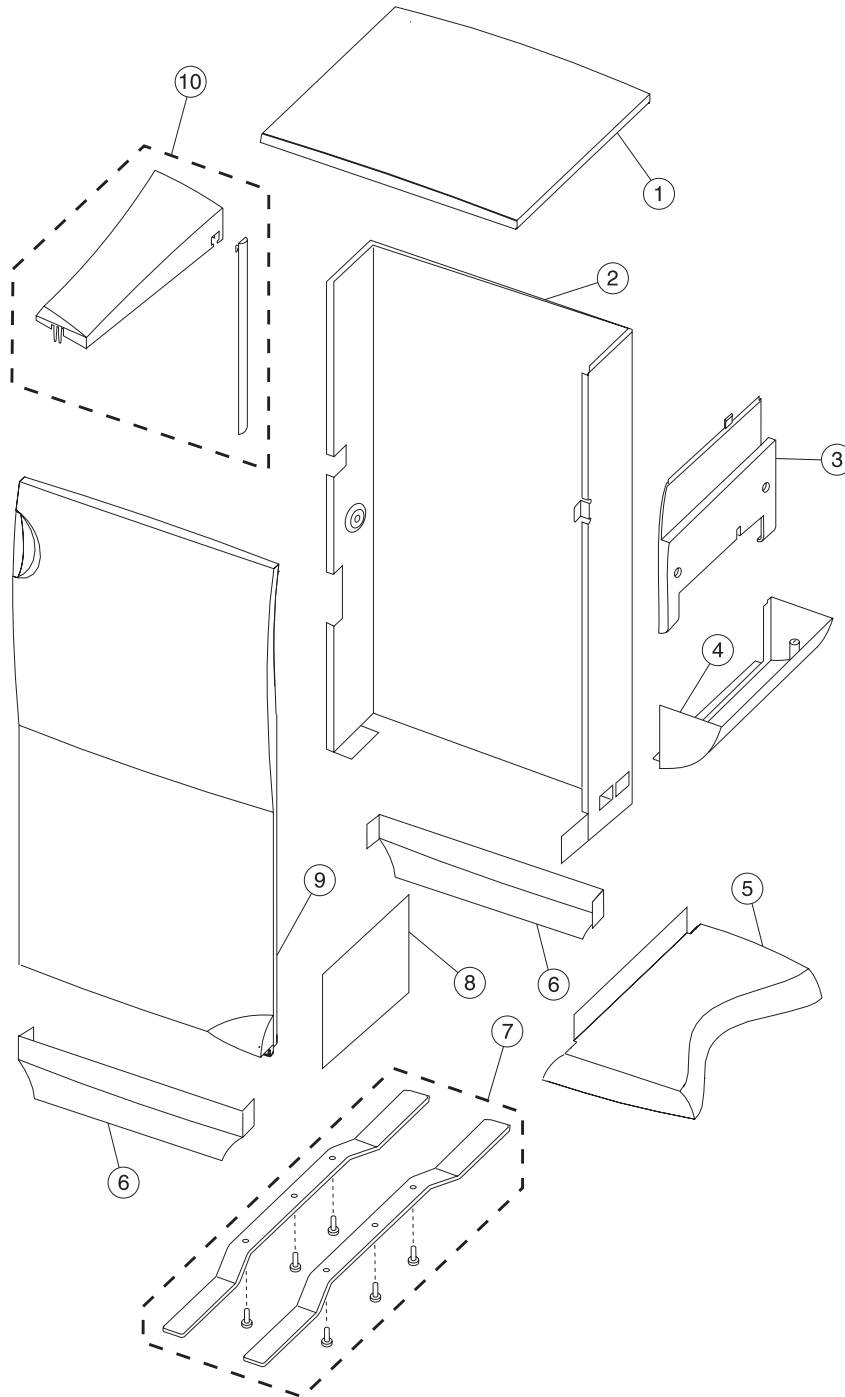
Assembly 18.1: HCIT



Assembly 18.1: HCIT

Asm- Index	Part number	Units	Description
18.1-1	56P0505	1	Rear cover
2	56P0503	1	Right side cover
3	56P0491	2	Caster, movable
4		16	Screws PP 56P0565
5	56P0493	4	F adjuster
6	56P0500	1	Front cover
7	56P0501	1	Cover, main CA
8	56P0492	2	Caster, fixed
9	56P0504	1	Left side cover
10	56P0508	1	Upper left side jam cover
11	56P0507	1	Locating pin, options front right
12	56P0506	1	Locating pin, options rear left
13	56P0514	1	Options autoconnect cable assembly
14	56P0517	1	Options cable mounting plate
NS	56P0509	1	Cable, feed unit special sensors
NS	56P0510	1	Cable, feed unit sensors
NS	56P0512	1	Cable, elevator motor
NS	56P0515	1	Magnetic latch
NS	56P0541	1	Tray present lever
NS	56P0543	9	Cable clamp
NS	56P0564	1	Kit, stabilizer with mounting screws

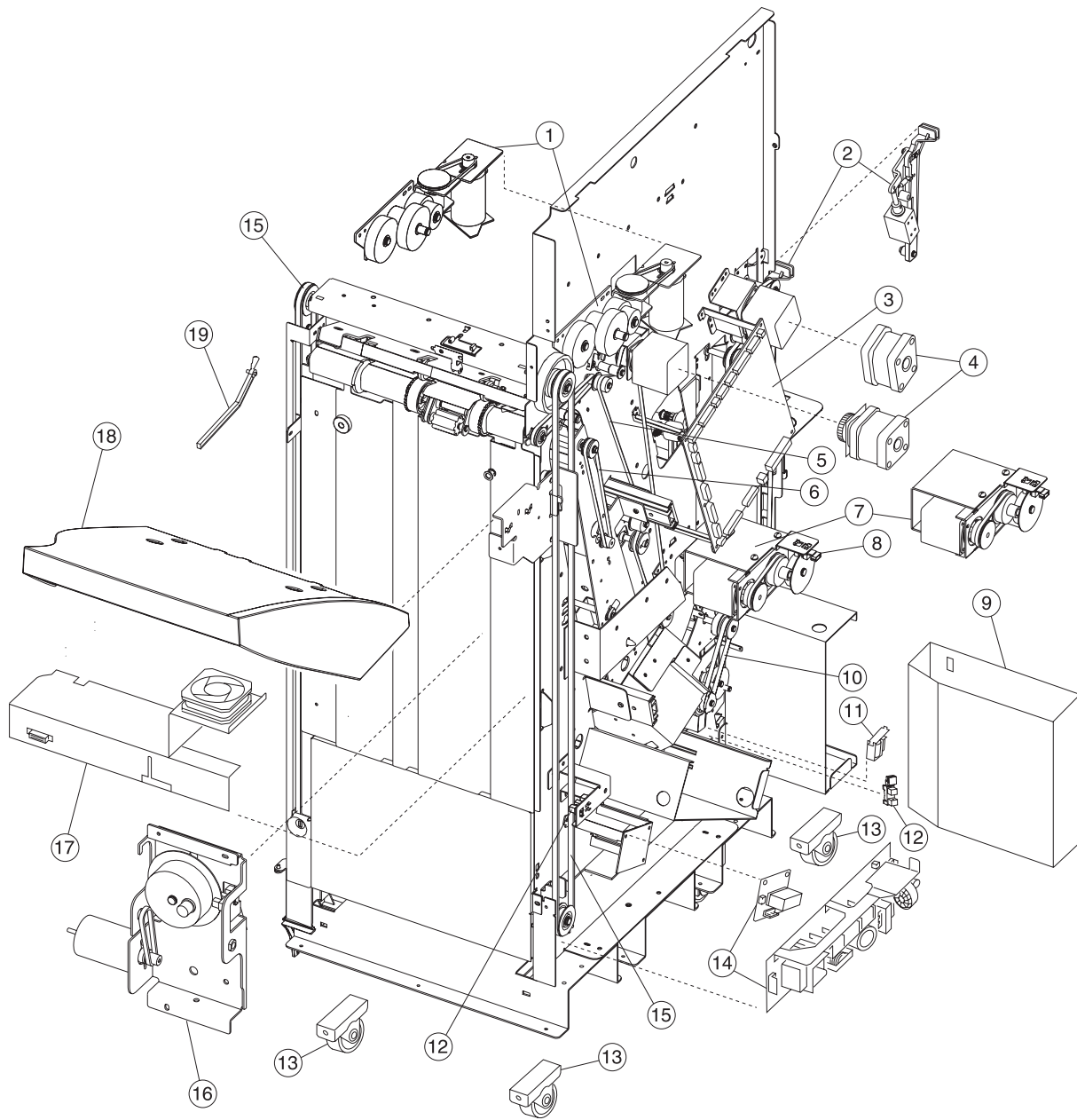
Assembly 19: Finisher



Assembly 19: Finisher

Asm- Index	Part number	Units	Description
19-1	56P0321	1	Top cover
2	56P0569	1	Rear cover
3	56P0573	1	Upper right side cover
4	56P0574	1	Lower tray cover
5	56P0575	1	Bottom kick cover
6	56P0576	1	Front/rear lower cover
7	56P0387	1	Bar tip unit
8	56P0577	1	Lower right side cover
9	56P0320	1	Cover front door
10	56P0566	1	Finisher install kit
NS	56P0317	1	Cartridge staple

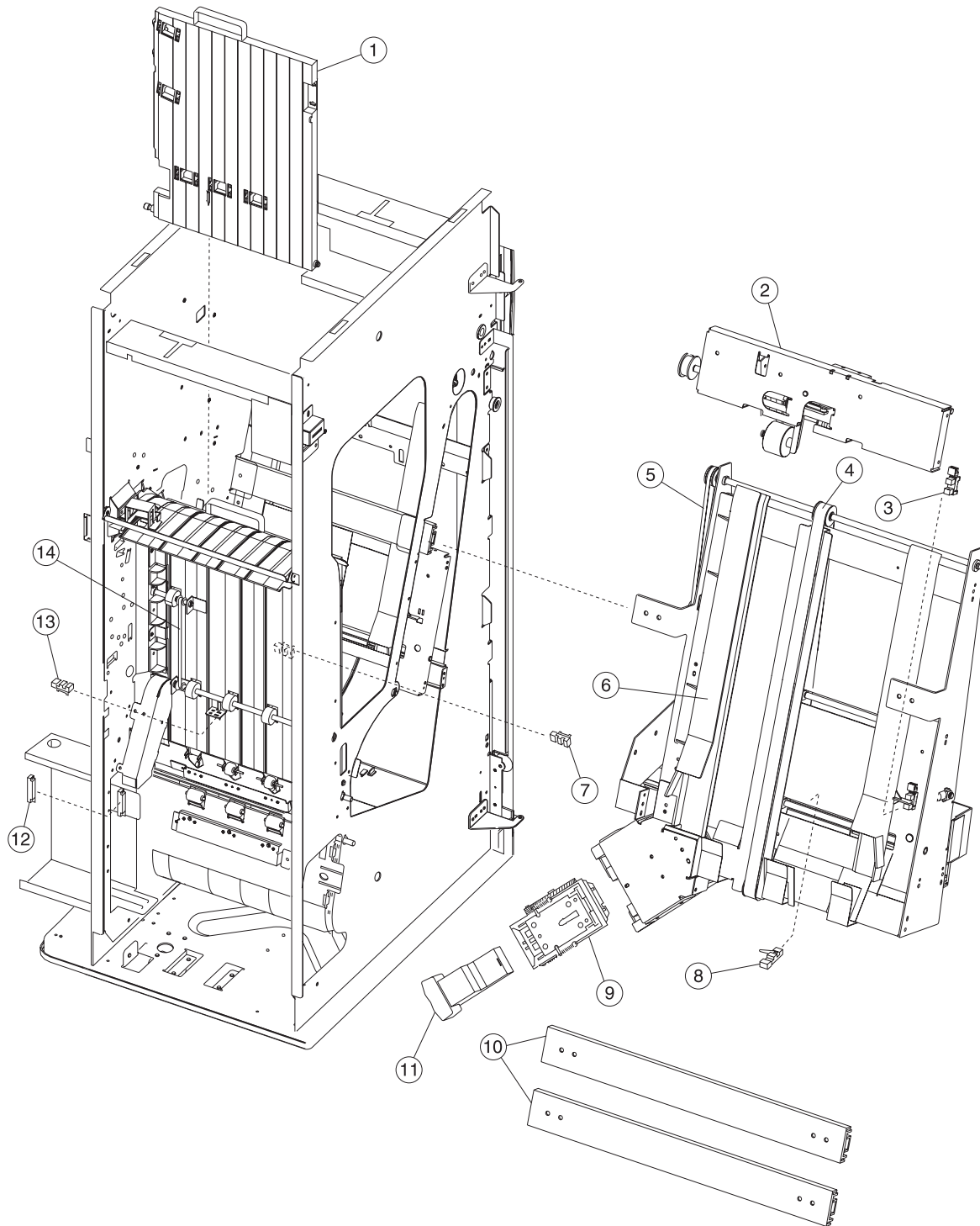
Assembly 19.1: Finisher



Assembly 19.1: Finisher

Asm-Index	Part number	Units	Description
19.1-1	56P0324	1	Motor assembly elevator tray
2	56P0357	1	Actuation assembly
3	56P0339	1	HCOF control board assembly
4	56P0325	1	Motor assembly paper feed
5	56P0334	1	Belt 170P2M4
6	56P0332	1	Belt 40S3M900
7	56P0315	1	Punch assembly
8	56P0345	1	Sensor GP1A73A
9	56P0318	1	Box chad
10	56P0328	1	Belt 40S3M198
11	56P0383	1	Solenoid inverter
12	56P0347	4	Sensor EE-SX1235A-P2
13	56P0342	4	Caster
14	56P0338	1	Low voltage power supply
15	56P0333	2	Belt 60S6M1420
16	56P0323	1	Gear assembly offset motor and gear
17	56P0386	1	Fan assembly DC motor
18	56P0322	1	Tray paper
19	56P0326	1	Flag paper full
NS	56P0327	1	Belt 40S3M888
NS	56P0329	1	Belt 40S3M225
NS	56P0330	1	Belt 40S3M279
NS	56P0331	1	Belt 40S3M80
NS	56P0335	1	Belt 40S2M264
NS	56P0336	1	Belt 40S2M176
NS	56P0337	1	Belt 40S2M176
NS	56P0340	1	Cable communication
NS	56P0341	1	Power cord
NS	56P0343	1	Sensor OJ-541-A5
NS	56P0350	2	Sensor EE-SX460-P1-CHN
NS	56P0351	1	Switch cover Open
NS	56P0352	1	Switch micro, SS-5FL-3T(10E)
NS	56P0353	1	Switch micro, K3-3
NS	56P0354	1	Bracket finisher alignment
NS	56P0356	1	Pack magnet, strong and weak and door latch
NS	56P0359	1	Harness cable assembly H2 - engine board to drop solenoid
NS	56P0360	1	Harness cable assembly H3 - engine board to harness cable assembly H4/drop timing sensor/punch home position sensor/inverter timing sensor
NS	56P0361	1	Harness cable assembly H4 - harness cable H3 to punch timing sensor
NS	56P0362	1	Harness cable assembly H5 - engine board to printer docking switch

Assembly 19.2: Finisher



Assembly 19.2: Finisher

Asm-Index	Part number	Units	Description
19.2-1	56P0355	1	Guide vertical paper
2	56P0385	1	Solenoid drop assembly
3	56P0347	1	EE-SX460-P1-CHN, jogger
4	56P0384	1	Belt staple assembly
5	56P0332	1	Accumulator belt
6	56P0319	1	Accumulator w/o stapler
7	56P0348	1	Sensor OS-535223-601
8	56P0349	1	Sensor OS-311D-A5
9	56P0316	1	Staple assembly
10	56P0358	1	Accumulator slides
11	56P0317	1	Staple cartridge
12	56P0346	1	Sensor EE-SPY415, Chad Box Full
13	56P0344	1	Sensor OJ511K-A5
14	56P0330	1	Paper feed-input belt
NS	56P0388	1	Switch assembly
NS	56P0363	1	Harness cable assembly H6 - engine board to fan
NS	56P0364	1	Harness cable assembly S1 - cable S2 to stapler assembly
NS	56P0365	1	Harness cable assembly S2 - engine board to cable S1
NS	56P0366	1	Harness cable assembly S3 - engine board to jogger home position sensor/bundle belt home position sensor
NS	56P0367	1	Harness cable assembly S4 - engine board to jogger motor/bundle motor
NS	56P0368	1	Harness cable assembly S5 - engine board to chad box full sensor
NS	56P0369	1	Harness cable assembly E2 - cable E5 to exit timing sensor
NS	56P0370	1	Harness cable assembly E3 - cable E5 to paper surface upper sensor/paper surface lower sensor
NS	56P0371	1	Harness cable assembly E5 - engine board to cable E2/E3
NS	56P0372	1	Harness cable assembly E6 - cable E8 to upper tray limit switch 1/upper tray limit switch 2
NS	56P0373	1	Harness cable assembly E7 - cable E8 to tray offset position sensor
NS	56P0374	1	Harness cable assembly E8 - engine board to E6/E7
NS	56P0375	1	Harness cable assembly E9 - cable E10 to tray offset motor
NS	56P0376	1	Harness cable assembly E10 - engine board to cable E9
NS	56P0377	1	Harness cable assembly E12 - ground
NS	56P0378	1	Harness cable assembly R1 - engine board to inverter solenoid/inverter jam sensor
NS	56P0379	1	Harness cable assembly D1 - engine board to front door switch
NS	56P0380	1	Harness cable assembly D2 - engine board to low voltage power supply
NS	56P0381	1	Harness cable assembly D3 - low voltage power supply relay board to AC input/output
NS	56P0382	1	Harness cable assembly D5 - low voltage power supply to low voltage power relay board

Assembly 20: Options

Asm-Index	Part number	Units	Description
NS	56P9908	1	Card assembly, bar code
NS	56P9909	1	Card assembly, PRESCRIBE
NS	12G6509	1	Card assembly, 64MB SDRAM
NS	56P9910	1	Card assembly, 128MB SDRAM
NS	56P9911	1	Card assembly, 256MB SDRAM
NS	56P9912	1	Card assembly, 4MB flash DIMM
NS	56P9913	1	Card assembly, 8MB flash DIMM
NS	56P9914	1	Card assembly, 16MB flash DIMM
NS	56P9917	1	Card assembly, 32MB flash DIMM
NS	56P9935	1	Card assembly, Traditional Chinese font DIMM
NS	56P9936	1	Card assembly, Simplified Chinese Font DIMM
NS	56P0162	1	Adapter, parallel 1284 C-B
NS	56P9982	1	Hard disk, 20GB with/adapter (formatted)
NS	56P9926	1	Lexmark Optra Forms™ software
NS	56P9927	1	Lexmark Forms Director software
NS	56P9928	1	Lexmark Forms 4MB flash DIMM
NS	56P9929	1	Lexmark Forms 8MB flash DIMM
NS	56P9930	1	Lexmark Forms 16MBMB flash DIMM
NS	56P9932	1	Lexmark Forms 64MB flash DIMM
NS	56P9942	1	Hard drive mounting kit
NS	56P9934	1	MarkNet™ Token Ring Print Server
NS	12G1695	1	MarkNet N2001e Ethernet 10/100BaseTX
NS	12G1696	1	MarkNet N2002e Ethernet 10BaseT/2
NS	99A0545	1	External serial adapter
NS	99A0560	1	Tri-Port Adapter - LocalTalk/serial/infrared
NS	99A0629	1	Coax/Twinax Adapter for SCS
NS	99A0424	1	Infrared adapter
NS	56P0161	1	RS-232-C serial/parallel 1284-C adapter
NS	99A0923	1	Parallel port + USB INA card assembly
NS	56P2107	1	Card assembly IPDS/SCS/Tne
NS	56P1120	1	Card assembly, bar code

Assembly 21: Miscellaneous

Asm-Index	Part number	Units	Description
NS		1	Screw type 323, PP 12G6309
NS		1	Screw type 324, PP 12G6530
NS		1	Screw type 232, PP 12G6531
NS		1	Screw type 102, PP 12G6532
NS		1	Screw type 312/322/412/423, PP 12G6533
NS		1	Screw type 484, PP 12G6534
NS		1	Screw, 500-sheet tray, PP 12G6538
NS		1	Screw type 124, PP 12G6539
NS		1	Screw type 121, PP 12G6540
NS	7370235	1	Kit, relocation package assembly printer
NS	7370563	1	Kit, relocation package assembly Output Expander
NS	7370564	1	Kit, relocation package assembly 5-Bin Mail Box
NS	7370565	1	Kit, relocation package assembly 500 Drawer
NS	7370566	1	Kit, relocation package assembly Duplex
NS	7370595	1	Kit, relocation package assembly Finisher