

## 7. Parts Catalog

### How to use this parts catalog

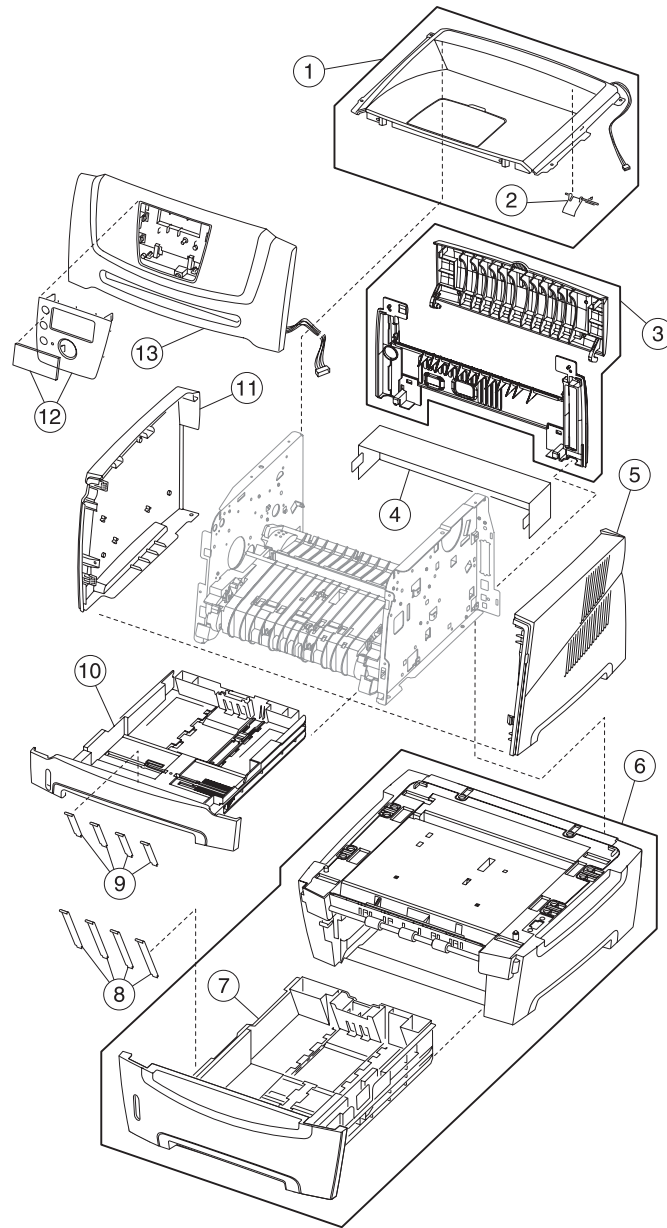
The following legend is used in the parts catalog:

Asm-Index	Part number	Units/mach	Units/FRU	Description
-----------	-------------	------------	-----------	-------------

- **Asm-index:** identifies the assembly and the item in the diagram. For example 3-1 indicates assembly 3 and the item number 1.
- **Part number:** identifies the unique number that identifies this FRU.
- **Units/mach:** refers to the number of units actually used in the machine or product.
- **Units/FRU:** refers to the number of units packaged together and identified by the part number.
- **NS:** (Not shown) in the Asm-Index column indicates that the part is procurable but is not pictured in the illustration.
- **PP:** (Parts Packet) in the parts description column indicates the part is contained in a parts packet.
- Model information used in the parts catalog.

Machine type and model	Description
4512-630	Lexmark E450dn

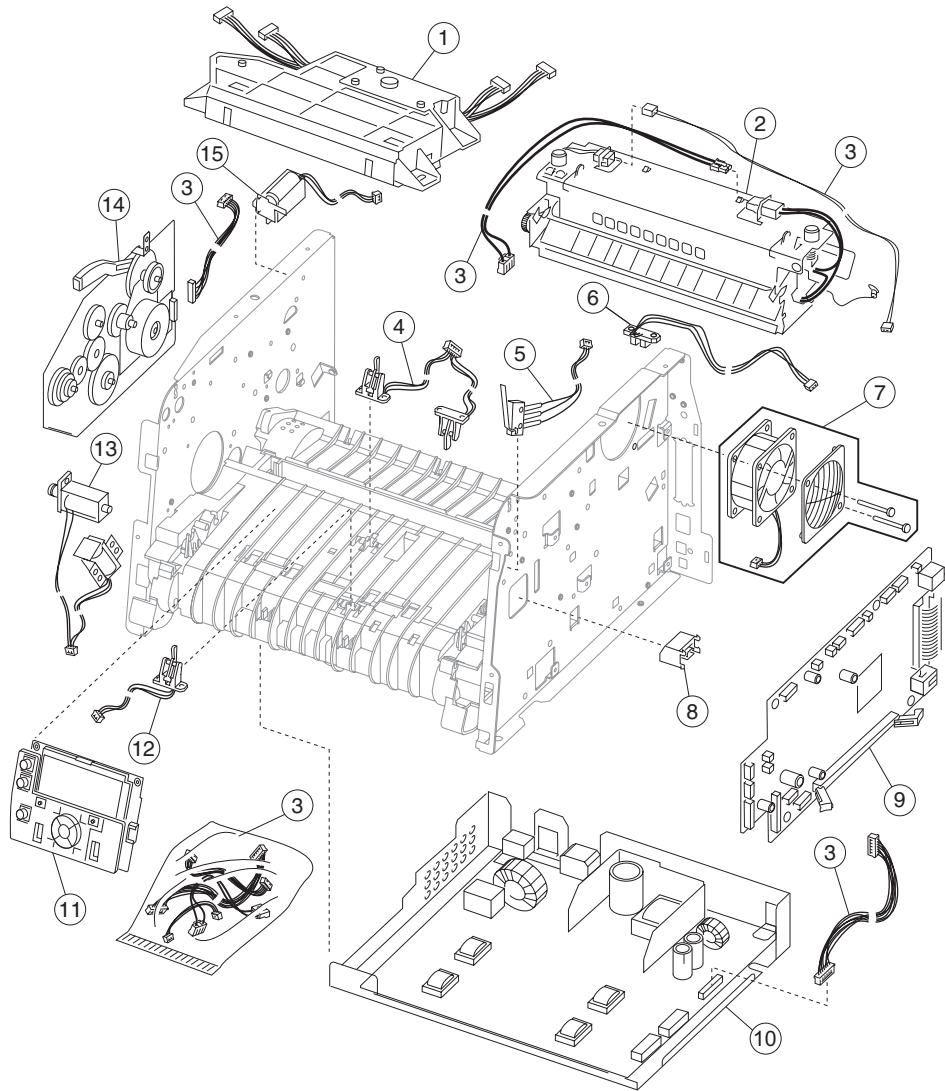
## Assembly 1: Covers



## Assembly 1: Covers

Asm-Index	Part number	Units/mach	Units/FRU	Description
1- 1	40X5069	1	1	Top cover assembly (includes narrow media sensor)
2	40X5068	1	1	Top cover right flag
3	40X2839	1	1	Rear upper and lower cover assembly
4	40X2858	1	1	Legal extender dust cover
5	40X2837	1	1	Right side cover
6	40X2843	1	1	Optional media drawer assembly
7	40X2844	1	1	Tray 2 assembly
8	40X2855	1	4	Tray 2 wear strips
9	40X2854	1	4	Tray 1 wear strips
10	40X2842	1	1	Main tray
11	40X2836	1	1	Left side cover
12	40X2818	1	1	LCD bezel cover, E450dn
13	40X2840	1	1	Front access cover assembly

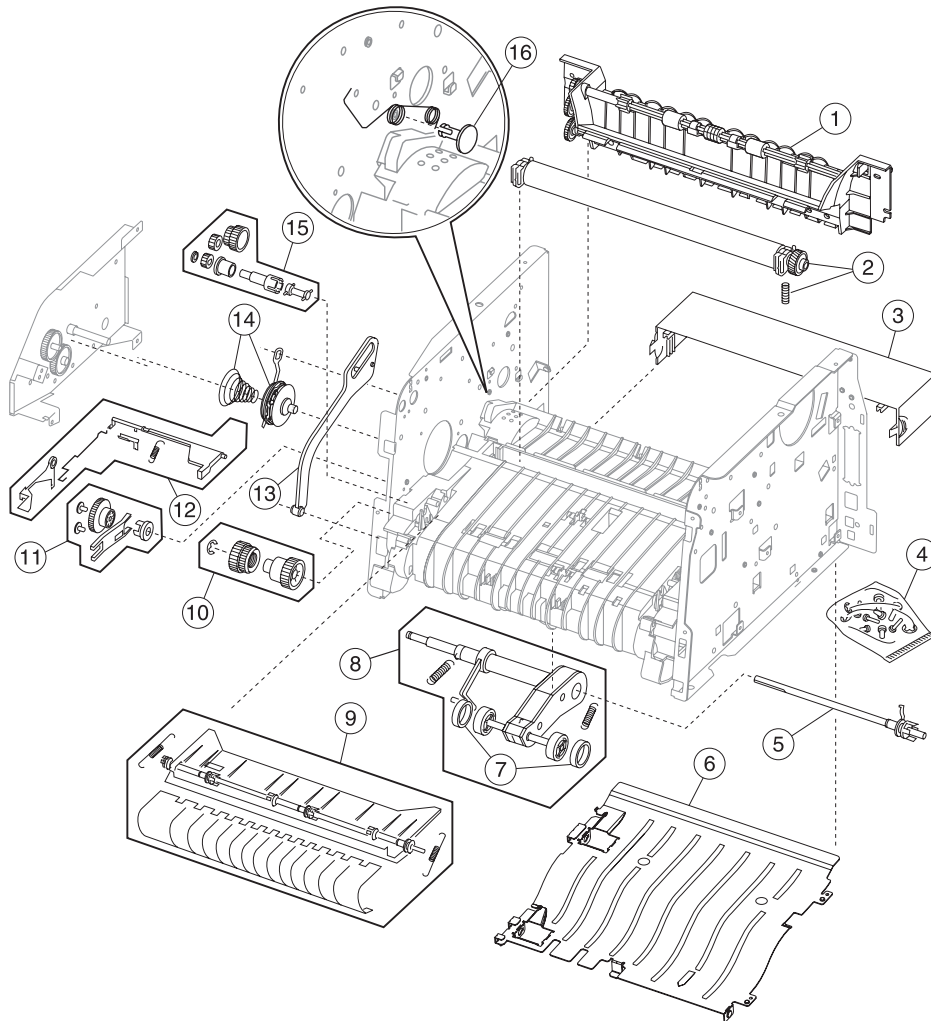
## Assembly 2: Electronics



**Assembly 2: Electronics**

Asm-Index	Part number	Units/mach	Units/FRU	Description
2-4	40X2803	1		LSU, E350d/E352dn/E450dn (printhead)
2	40X2800	1		Fuser assembly, 110 V
2	40X2801	1		Fuser assembly, 220 V
2	40X2802	1		Fuser assembly, 100 V
3	40X2833	1		Miscellaneous cable assemblies
			1	Thermistor
			1	LVPS/HVPS to controller card
			1	Main drive gear assembly (motor to controller card)
			1	Fuser power (LVPS to fuser)
4	40X2823	1	1	Duplex and media sensor assembly
5	40X2813	1	1	Cover open sensor assembly
6	40X2856	1	1	Narrow media sensor
7	40X2828	1	1	Cooling fan
8	56P2076	1	1	Toner low sensor (RO)
9	40X2808	1	1	Controller card, E450dn
10	40X2819	1		LVPS/HVPS card assembly, 110 V
10	40X2820	1		LVPS/HVPS card assembly, 220 V
11	40X2811	1		LCD operator panel assembly, E450dn
12	40X2824	1	1	Manual input sensor assembly
13	40X2845	1	1	Pickup and manual feed solenoids
14	40X2826	1	1	Main drive gear assembly
15	40X2846	1	1	Reversing solenoid

### Assembly 3: Frame



### Assembly 3: Frame

Asm-Index	Part number	Units/mach	Units/FRU	Description
3-4	40X2834	1		Media exit guide assembly
2	40X2822	1		Transfer roll, bearings, gear, spring (CBM)
3	40X2858	1	1	Legal extender dust cover
4	40X2850	N/A		Screws, miscellaneous
			4	TP2NCX3X6PF-Ni
			4	TP2C-4.0+8PF-Ni
			4	M3.0*0.5+6PF-Ni
			2	M3.0*0.5+4PF-Ni
			2	M3.5*0.6+6P-Ni
5	40X2853	1	1	ACM drive shaft assembly
6	40X2841	1	1	Complete duplex assembly
7	56P1820	2		Paper feed, ACM tires (RO)
8	40X2838	1	1	Media (ACM) drive assembly
9	40X2857	1	1	Upper front frame assembly
10	40X2830	1	1	Manual feed clutch CBM
11	40X2831	1	1	Media feed ACM clutch CBM
12	40X2832	1	1	Media level indicator CBM
13	40X2825	1	1	Developer drive/access door link
14	40X2829	1	1	Developer drive coupling assembly
15	40X2821	1	1	Duplex drive gear CBM
16	40X5234	1	1	Photoconductor retainer pin
NS	40X2847	1	1	110 V maintenance kit
NS	40X2848	1	1	220 V maintenance kit
NS	40X2849	1	1	100 V maintenance kit
				<b>Note:</b> Kit contains the following: Fuser (40X2800, 40X2801, or 40X2802) Exit guide (40X2834) Tray 1 ACM feed tires (56P1820) Transfer roll CBM (40X2822)
NS	7377298	1		Field location package assembly
NS	40X2817	1	2	Tray 2 Paper feed tires

## Assembly 4: Options

Asm-Index	Part number	Units/mach	Units/FRU	Description
NS	40X1364	1		32MB SDR DIMM
NS	40X1365	1		64MB SDR DIMM
NS	40X1366	1		128MB SDR DIMM
NS	40X1367	1		Parallel cable, packaged (3 m)
NS	40X1368	1		USB cable, packaged (2 m)
NS	40X1371	1		256MB SDR DIMM
NS	40X1564	1		32MB flash card assembly
NS	40X1512	1		Japanese font card assembly
NS	40X1513	1		Simplified Chinese font card assembly
NS	40X1514	1		Traditional Chinese font card assembly
NS	40X1515	1		Korean font card assembly

## Assembly 5: Power cords

Asm-Index	Part number	Units/mach	Units/FRU	Description
NS	40X0289	1		Power cord, 1.8M (straight)– USA, Canada
NS	40X0278	1		Power cord, 6 foot (straight)– Europe and others
NS	40X0288	1		Power cord, 8 foot (straight)– Argentina
NS	40X0271	1		Power cord, 8 foot (straight)– United Kingdom
NS	40X0275	1		Power cord, 6 foot (straight)– Israel
NS	40X0274	1		Power cord, 6 foot (straight)– Switzerland
NS	40X0276	1		Power cord, 6 foot (straight)– South Africa
NS	40X0287	1		Power cord, 6 foot (straight)– Traditional Italy
NS	40X0279	1		Power cord, 6 foot (straight)– Denmark
NS	40X0277	1		Power cord, 6 foot (straight)– Brazil
NS	40X0282	1		Power cord, 1.8M (straight)– PRC
NS	40X0270	1		Power cord, 2.5M (straight)– Japan
NS	40X0280	1		Power cord, 1.8M (straight)– Korea
NS	40X0281	1		Power cord, 1.8M (straight)– Taiwan
NS	40X0296	1		Power cord, 1.8M (straight)– Australia