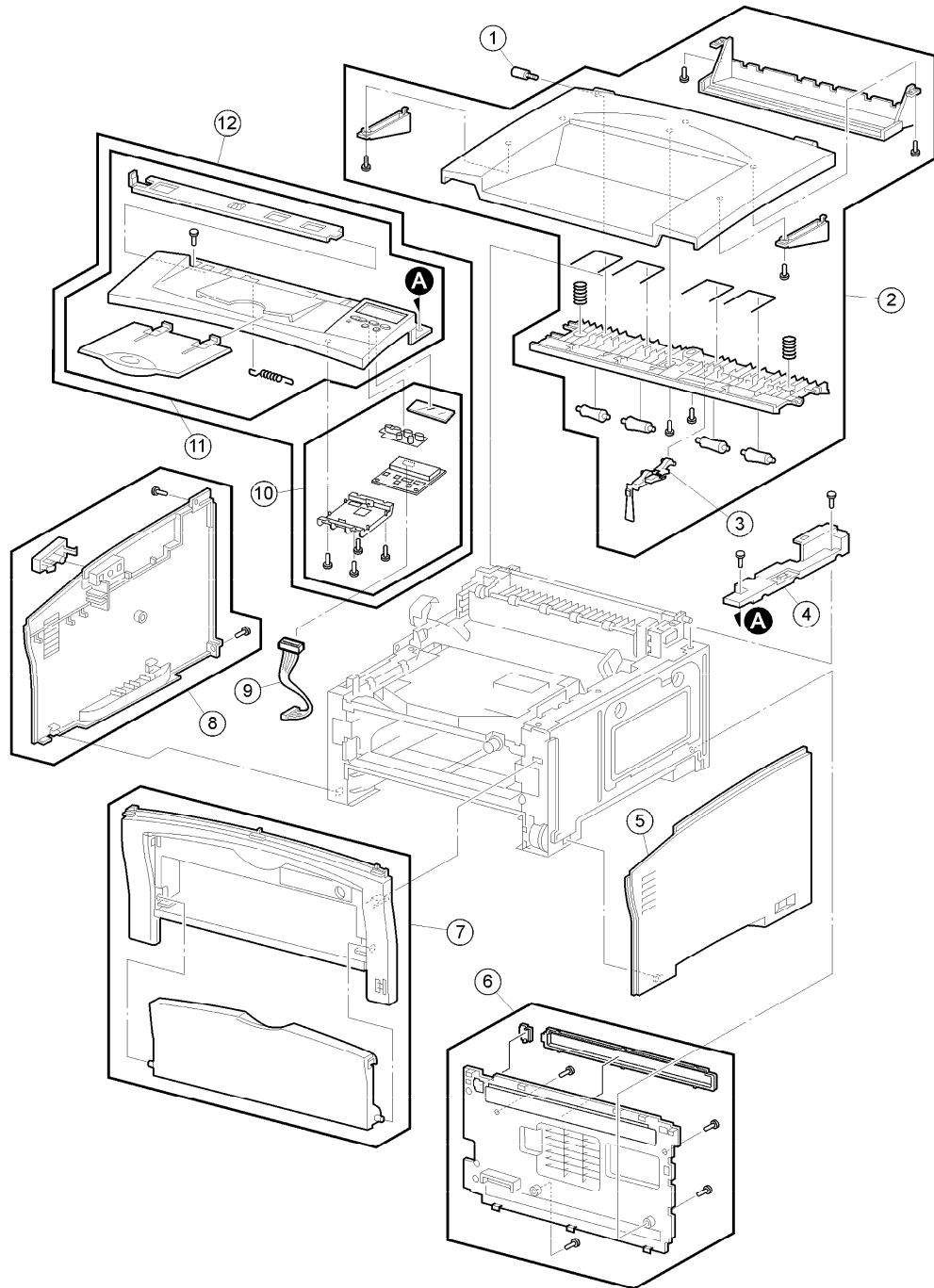


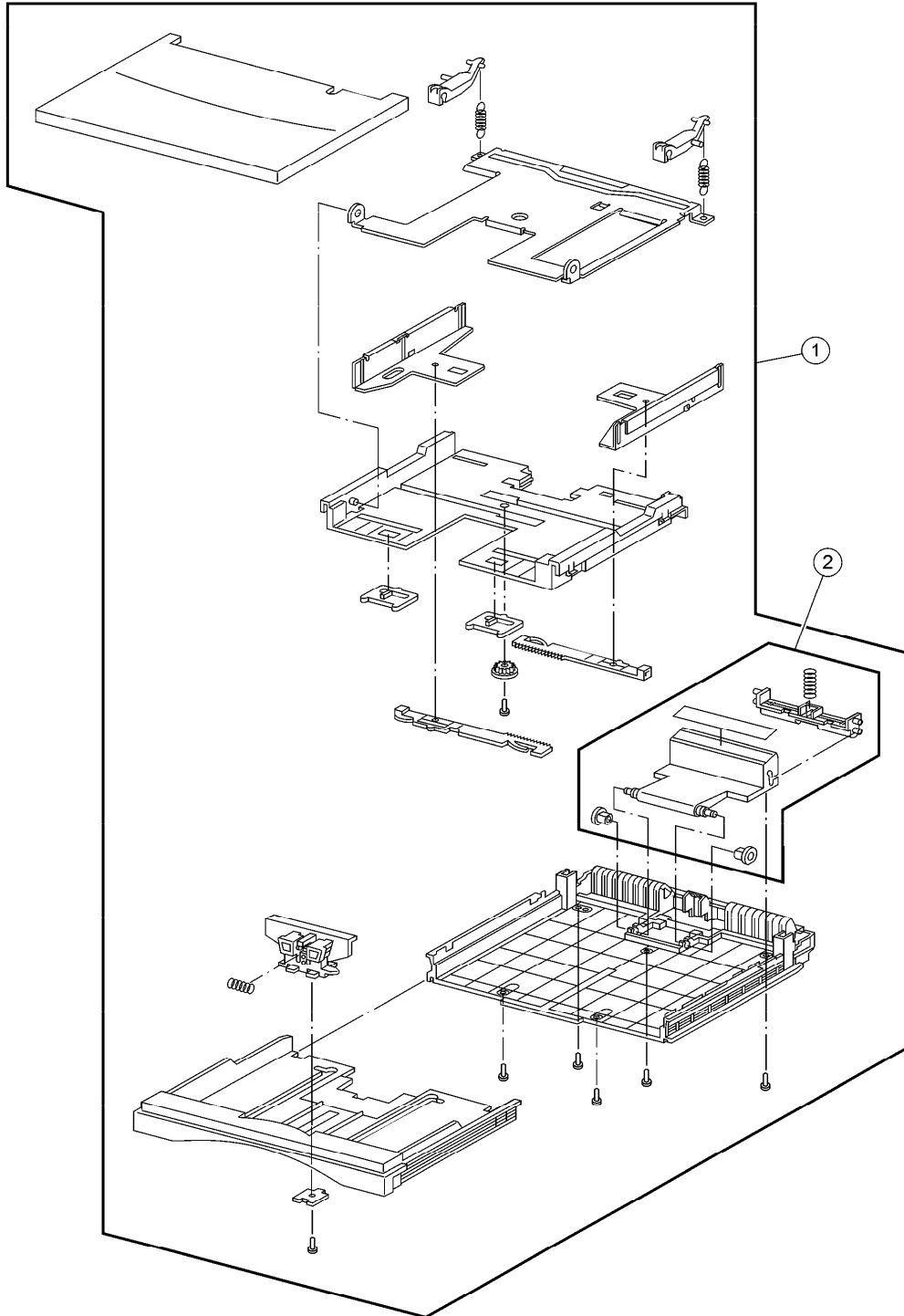
1 - Laser\4022 - Lexmark W812\01: Covers



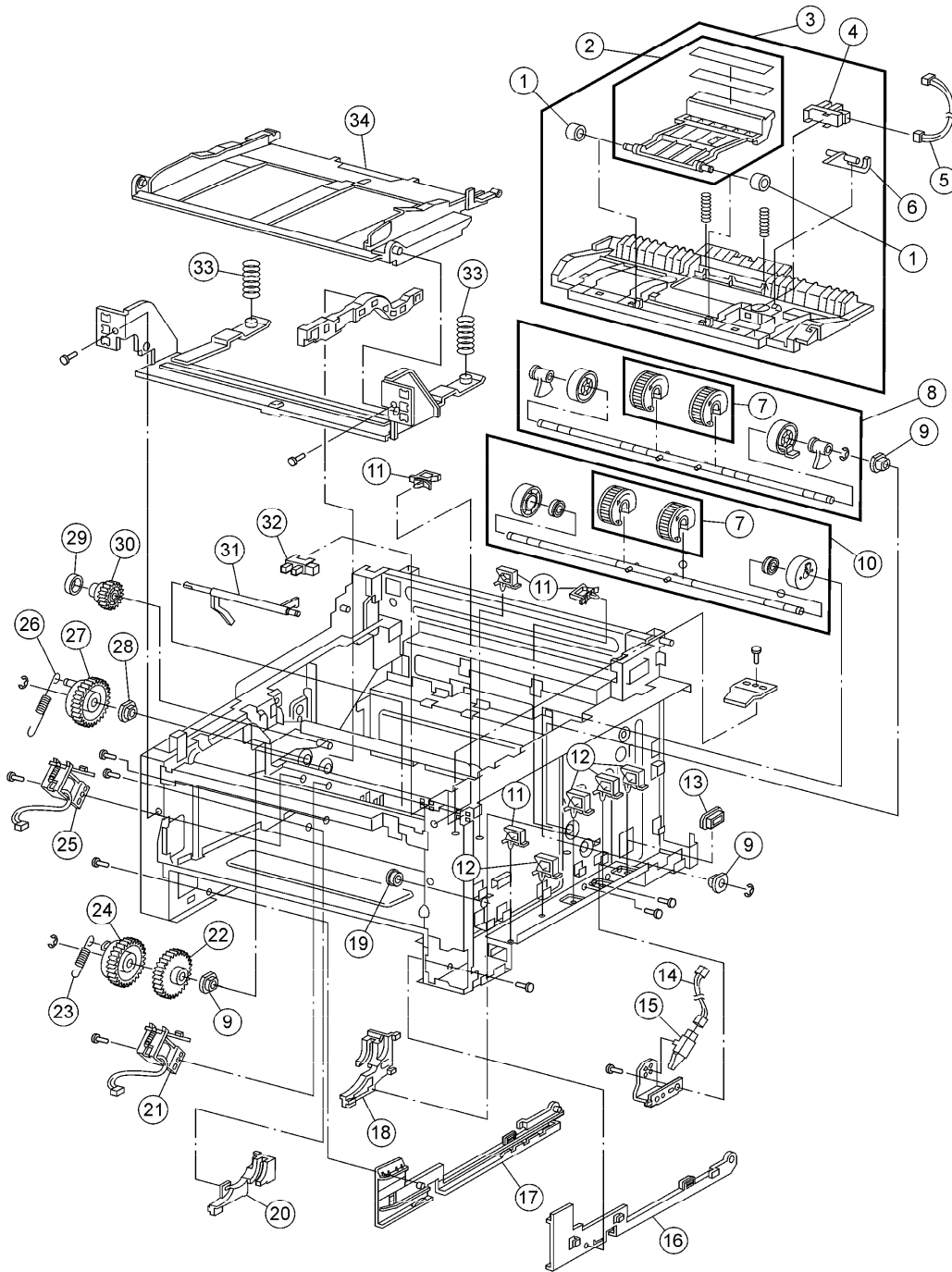
01	56P0956	SHOULDER SCREW
02	56P0822	COVER ASM TOP
03	56P0958	BIN FULL SENSOR KIT ASM
04	56P0823	UPPER CARD CAGE COVER
05	56P0825	RIGHT COVER
06	56P0834	COVER ASM REAR
07	56P0826	FRONT COVER ASM
08	56P0827	COVER ASM LEFT
09	56P0833	OPERATOR PANEL CABLE
10	56P0967	OP PANEL ASM
10	56P0957	OPERATOR PANEL ASM 120V/220V (ENG CYRILLIC)
11	56P0828	COVER ASM OPERTATION PANEL
12	56P0966	COVER ASM
12	56P0959	COVER ASM OP PANEL W/CARD 120V/220V(ENG/CYR)

1 - Laser\4022 - Lexmark W812\02: Standard 250 Sheet Paper Tray

- 01 56P0835 TRAY ASM 250 SHEET PAPER
- 02 56P0836 250 SHEET SEPARATOR PAD ASM



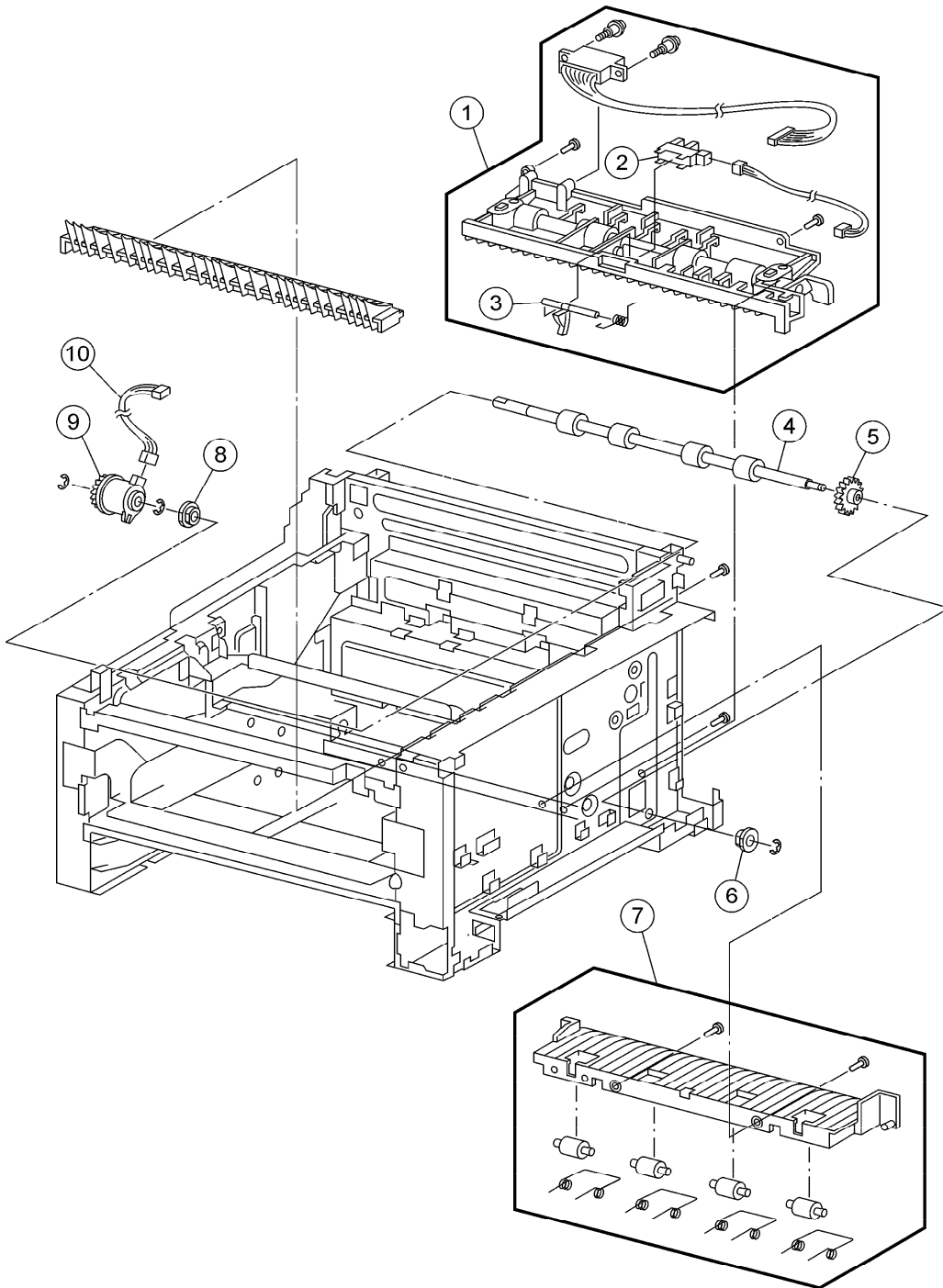
1 - Laser\4022 - Lexmark W812\03: Paper Pick-Feed



01	56P0867	MPF SEPARATOR PAD BEARING
02	56P0838	MPF SEPARATOR PAD ASM
03	56P0837	FEED ASM INPUT PAPER
04	56P0802	PHOTO SENSOR
05	56P0840	TRAY 1 EMPTY SENSOR CABLE
06	56P0839	TRAY 1 EMPTY FLAG
07	56P0800	PICK ROLL KIT
08	56P0841	ROLL ASM MPF PICK
09	56P0801	FEED ROLL BEARING
10	56P0847	ROLL ASM TRAY 1 PICK
11	56P0863	CABLE CLAMP
12	56P0864	CABLE CLAMP
13	56P0865	GROMMET CABLE
14	56P0856	TRAY 1 PRESENT SWCH CABLE
15	56P0804	TRAY PRESENT SWITCH
16	56P0857	TRAY 1 RIGHT GUIDE
17	56P0858	TRAY 1 LEFT GUIDE
18	56P0859	TRAY 1 RIGHT HOLDER
19	56P0866	GROMMET CABLE
20	56P0860	TRAY 1 L HOLDER
21	56P0851	TRAY 1 SOLENOID
22	56P0848	GEAR
23	56P0850	PICK UP TRAY 1 SPRING
24	56P0849	PU TRAY 1 GEAR
25	56P0846	MPF SOLENOID
26	56P0845	DUPLEX CABLE
27	56P0844	PICK UP MPF GEAR
28	56P0803	FEED ROLL BEARING
29	56P0843	GEAR VIBRATION DAMPER
30	56P0842	23 MPF GEAR
31	56P0854	MPF PAPER PRESENT FLAG
32	56P0802	PHOTO SENSOR
33	56P0862	MPF TRAY SPRING
34	56P0861	MPF TRAY ASM

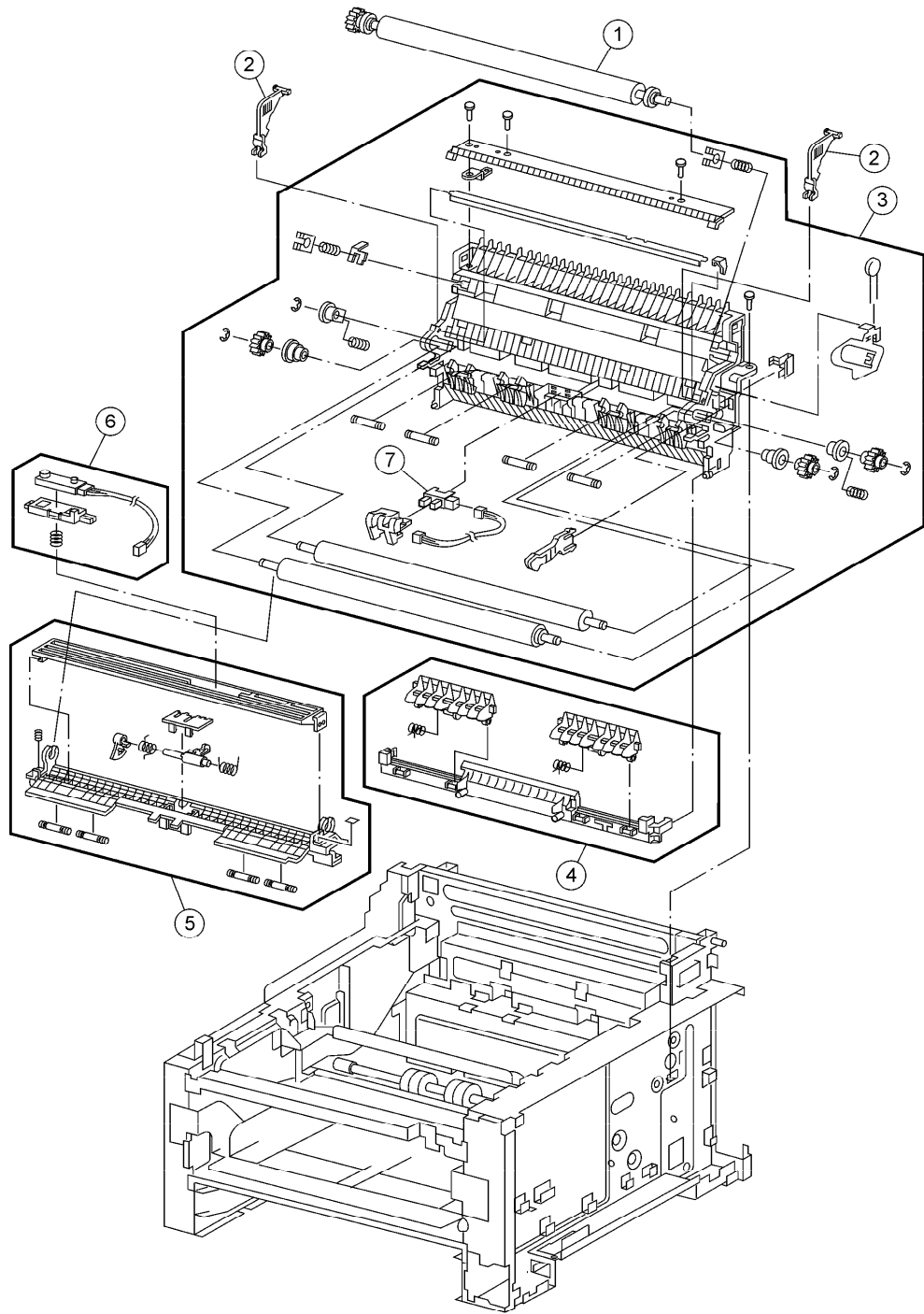
1 - Laser\4022 - Lexmark W812\04: Duplex Paper Feed

01	56P0868	GUIDE ASM UPPPER DUPLEX OUT
02	56P0802	PHOTO SENSOR
03	56P0869	DUPLEX OUTPUT SENSOR FLAG
04	56P0870	DUPLEX OUTPUT FEED ROLL ASM
05	56P0872	OPTIONAL FEEDER DRIVE
06	56P0803	FEED ROLL BEARING
07	56P0877	GUIDE ASM LOWER DUPLEX OUT
08	56P0873	FEED ROLL BEARING
09	56P0874	DUPLEX OUTPUT FR CLUTCH
10	56P0875	DUPLEX CLUTCH CABLE

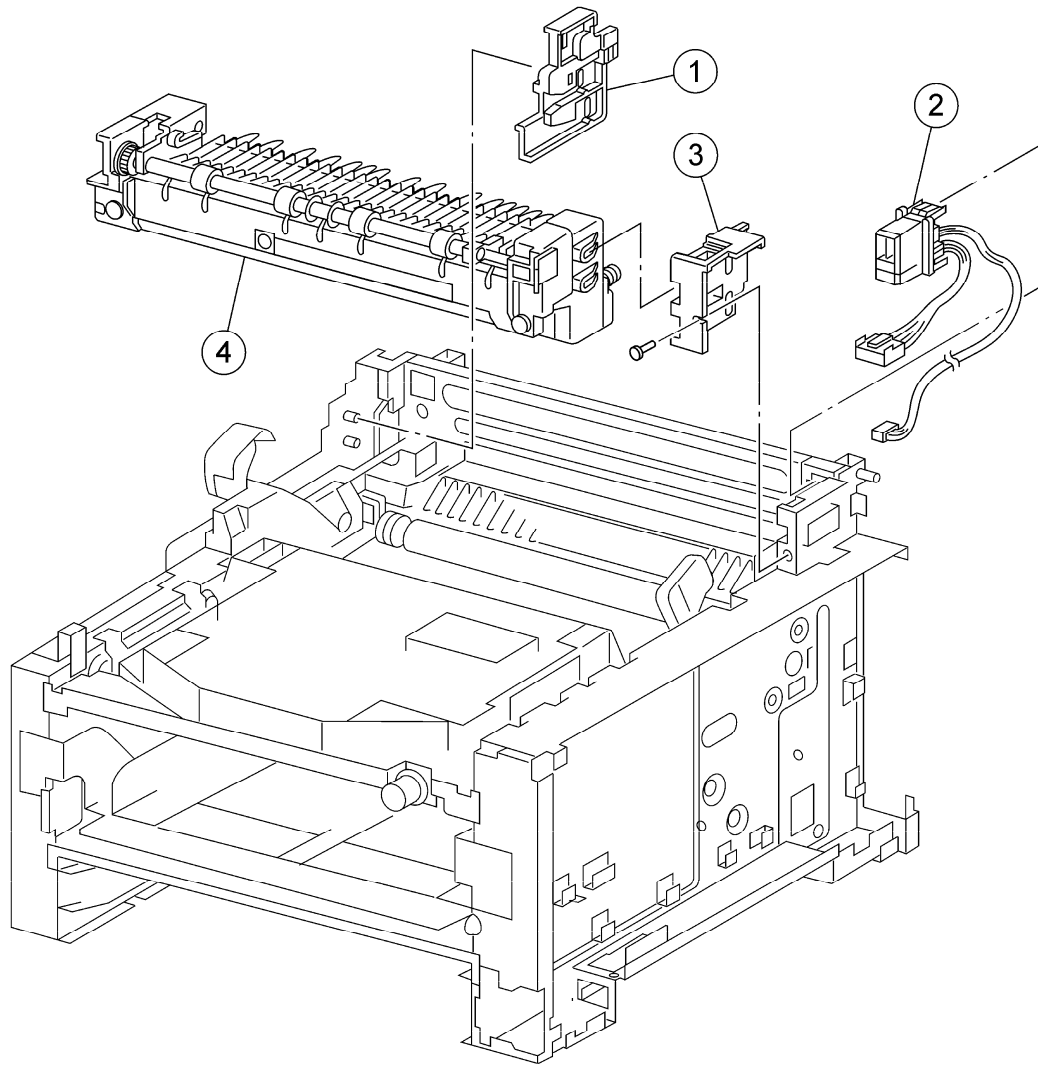


1 - Laser\4022 - Lexmark W812\05: Main Paper Feed

01	56P0878	ROLL ASM TRANSFER
02	56P0882	TRANSFER ROLL ASM STOP
03	56P0883	GUIDE ASM TRANSFER
04	56P0880	GUIDE ASM DUPLEX TO REGISTRATION
05	56P0879	GUIDE ASM REGISTRATION PAPER
06	56P0881	SENSOR TONER LOW
07	56P0802	PHOTO SENSOR



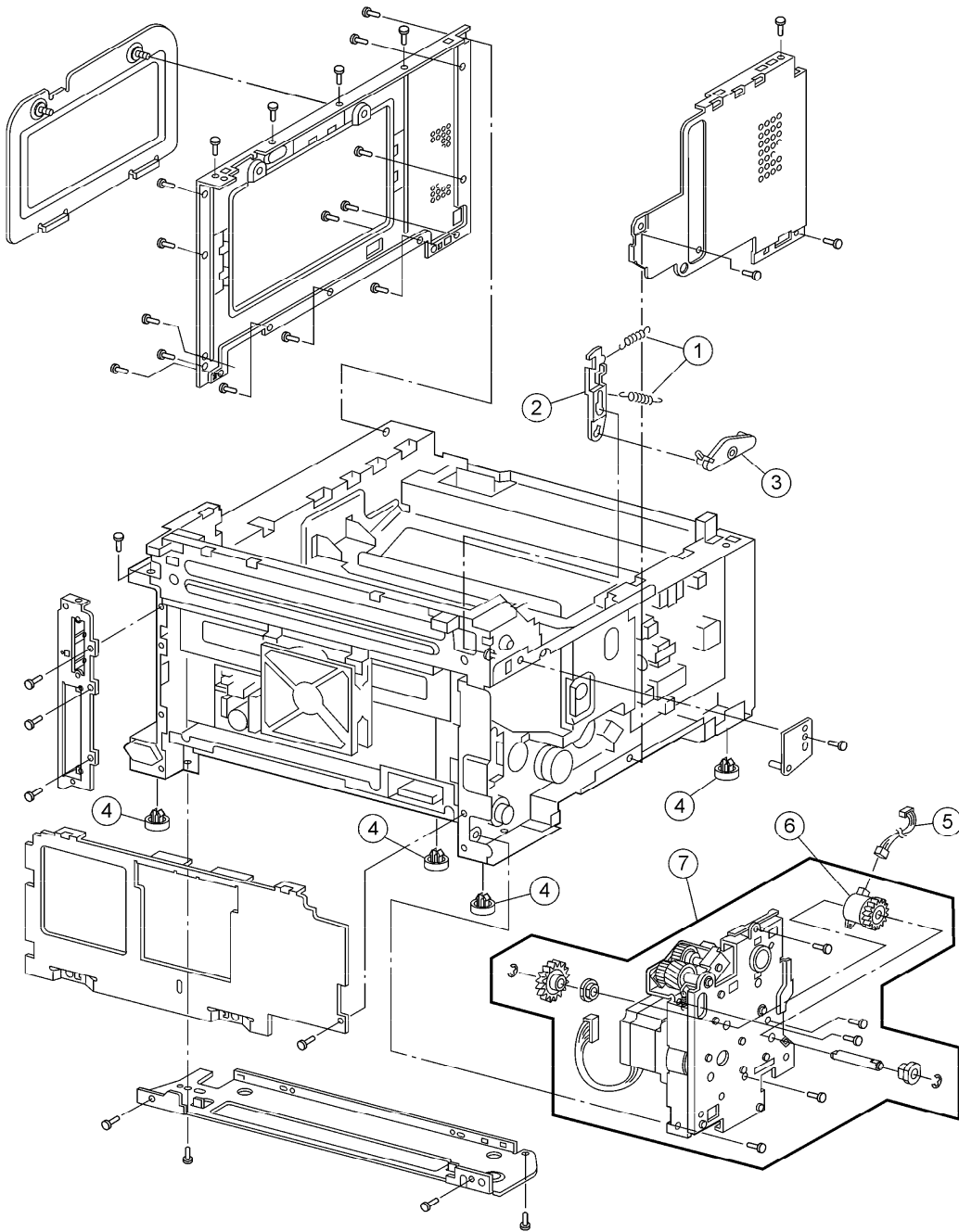
1 - Laser\4022 - Lexmark W812\06: Fuser



01	56P0886	LEFT FUSER LATCH
02	56P0961	CABLE FUSER 220V
02	56P0888	FUSER 100/110V CABLE
03	56P0887	RIGHT FUSER LATCH
04	56P0885	FUSER ASM 220V, COMPLETE
04	56P0884	(X) Fuser Asm 120V
04	56P0968	FUSER ASM 100V

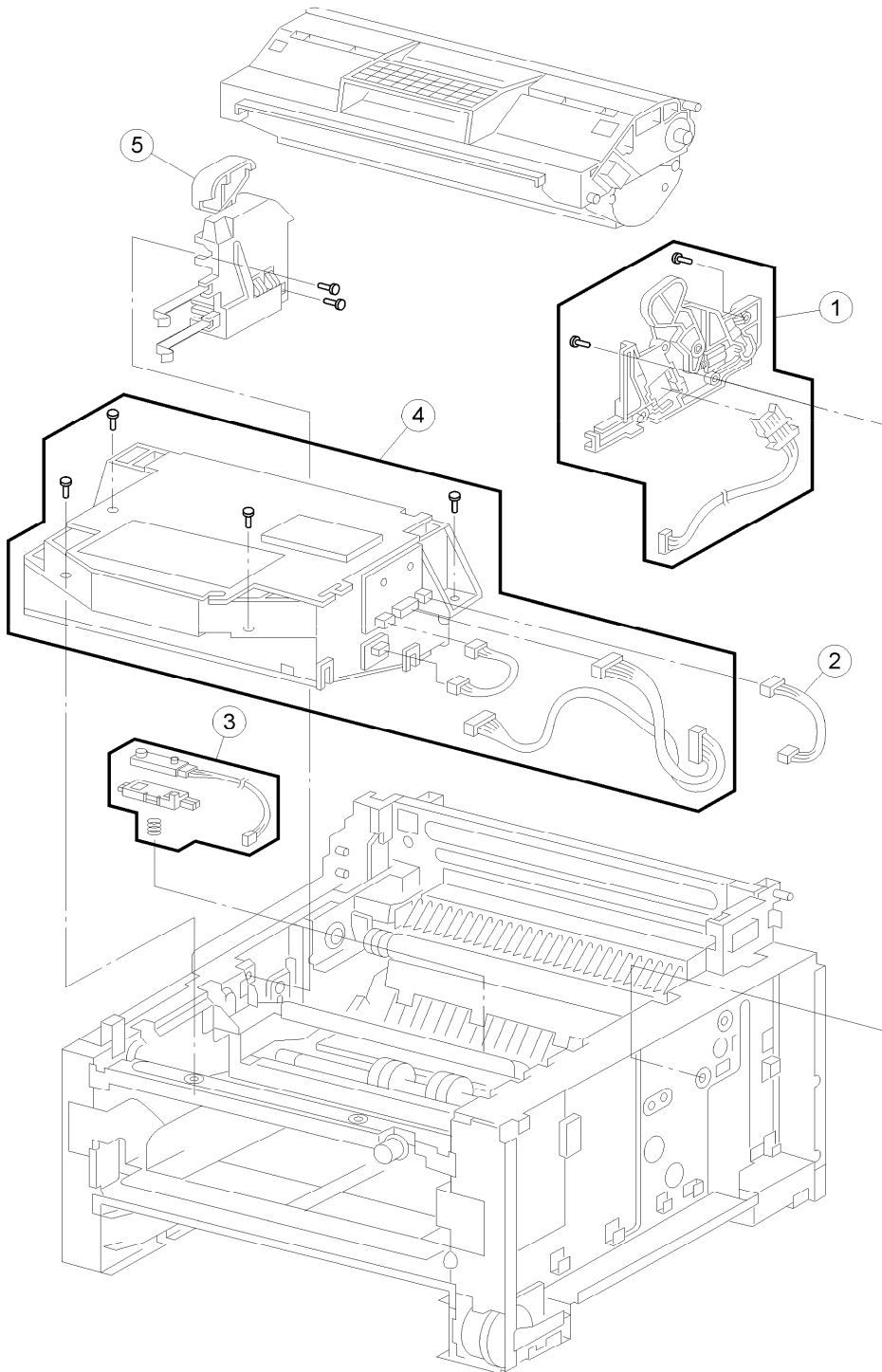
1 - Laser\4022 - Lexmark W812\07: Main Drive

- | | | |
|----|---------|----------------------------|
| 01 | 56P0889 | COVER OPEN LINK SPRING |
| 02 | 56P0890 | COVER OPEN LINK |
| 03 | 56P0891 | COVER OPEN CAM |
| 04 | 56P0809 | RUBBER FOOT |
| 05 | 56P0894 | PICK UP TRAY 1 GEAR |
| 06 | 56P0893 | REGISTRATION ROLLER CLUTCH |
| 07 | 56P0892 | DRIVE ASM MAIN |

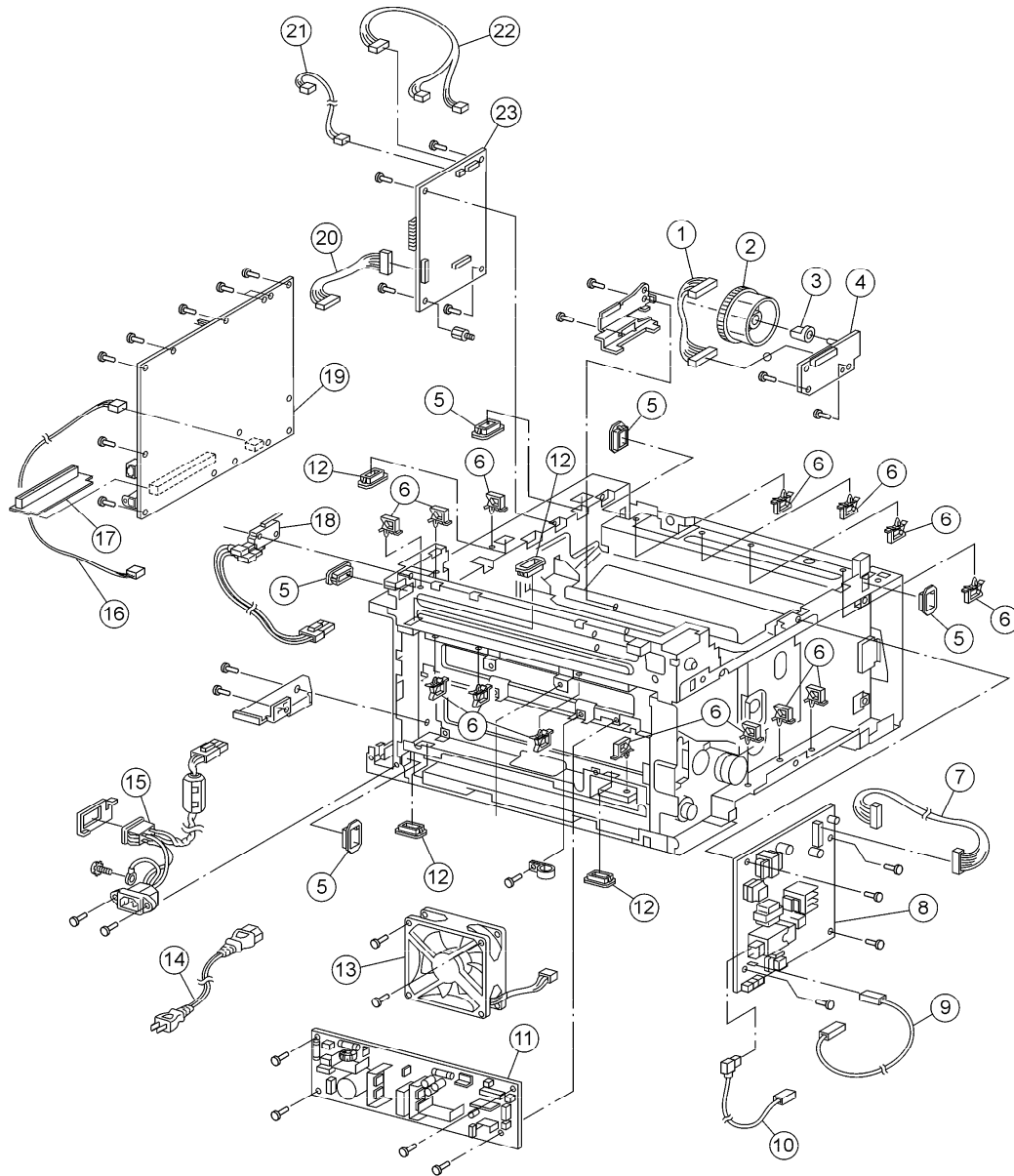


1 - Laser\4022 - Lexmark W812\08: Printhead

- 01 56P0896 RIGHT CARTRIDGE GUIDE ASM
- 02 56P0951 PRINthead VIDEO CABLE
- 03 56P0881 SENSOR TONER LOW
- 04 56P0897 (X) Printhead
- 05 56P0895 GUIDE ASM LEFT CARTRIDGE



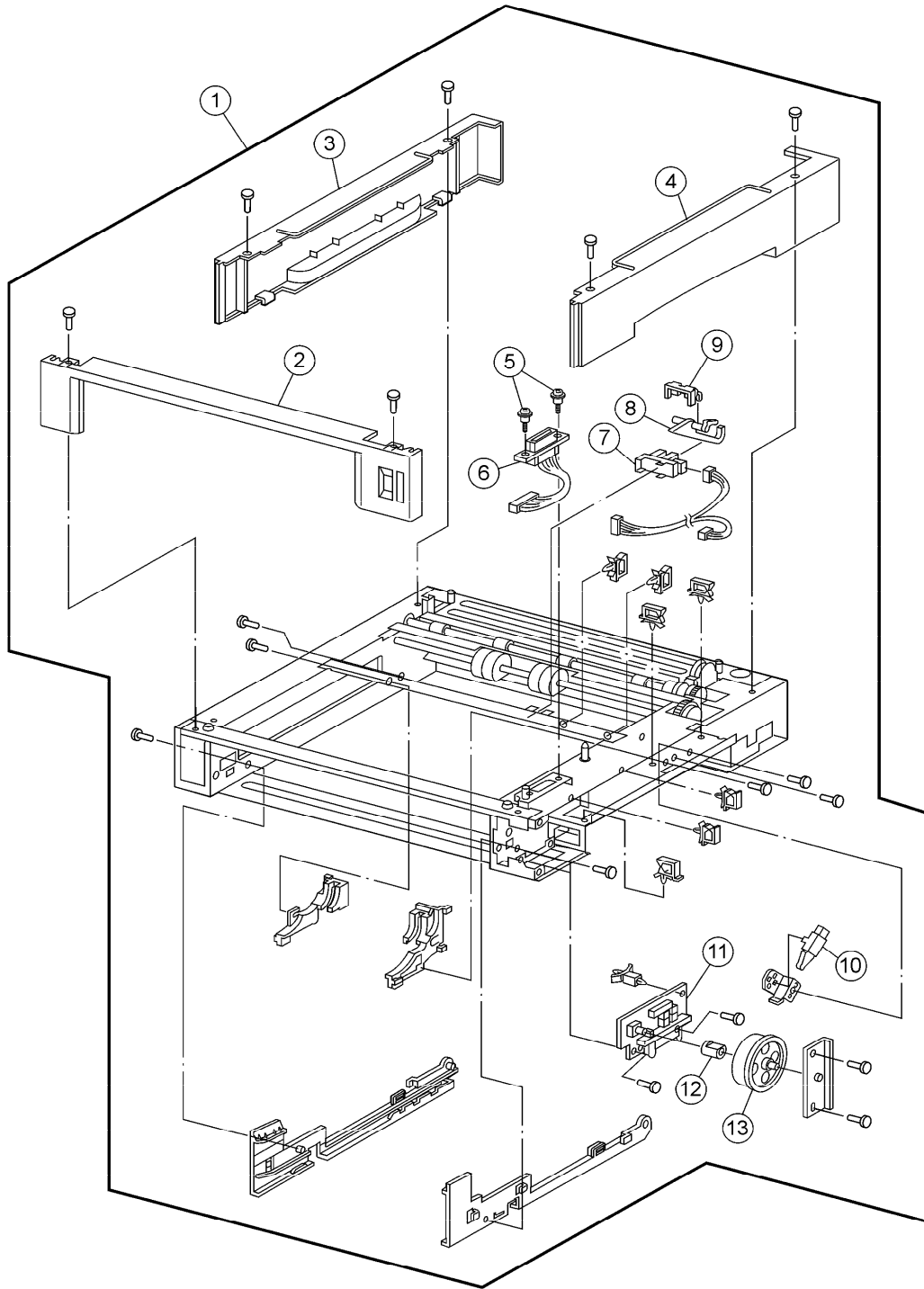
1 - Laser\4022 - Lexmark W812\09: Electronics



01	56P0899	COVER OPEN LINK
02	56P0807	PAPERSIZE DIAL
03	56P0806	PAPER SIZE DIAL KNOB
04	56P0898	PAPER SIZE CARD ASM
05	56P0916	GROMMET CABLE
06	56P0863	CABLE CLAMP
07	56P0904	HVPS CABLE
08	56P0903	PWR SUPPLY HIGH VOLTAGE
09	56P0905	CABLE HVPS DETACK
10	56P0906	HVPS TRANSFER CABLE
11	56P0907	(X) Power Supply LV
11	56P0908	(X) Power Supply LV 220V
13	56P0909	COOLING FAN
14	1339530	POWER CORD (ISRAEL)
14	1339528	POWER CORD (IRELAND, UK)
14	1339531	POWER CORD (SWITZERLAND)
14	1339532	POWER CORD (SOUTH AFRICA)
14	1339533	POWER CORD (ITALY)
14	1339534	POWER CORD (DENMARK)
14	11D0330	Power Cord, Argentina
14	43H5545	PRC STRAIGHT POWER CORD
14	1339520	LINE CORD POWER (SPAIN)
14	1339529	POWER CORD (AUSTRIA, BELGIUM, FINLAND, FRANCE)(HV)
15	56P0918	POWER INLET CABLE
16	56P1218	CABLE LVPS-RIP CARD ASM
17	56P0954	CARD ASM RIP RISER
18	56P0910	COVER INTERLOCK SWITCH
19	56P0953	CARD ASM RIP (NETWORK)
20	56P0912	ENGINE TO LVPS CABLE
21	56P0913	ENGINE TO FUSER CABLE
22	56P0914	ENGINE CABLE
23	56P0911	(X) Card Asm Engine

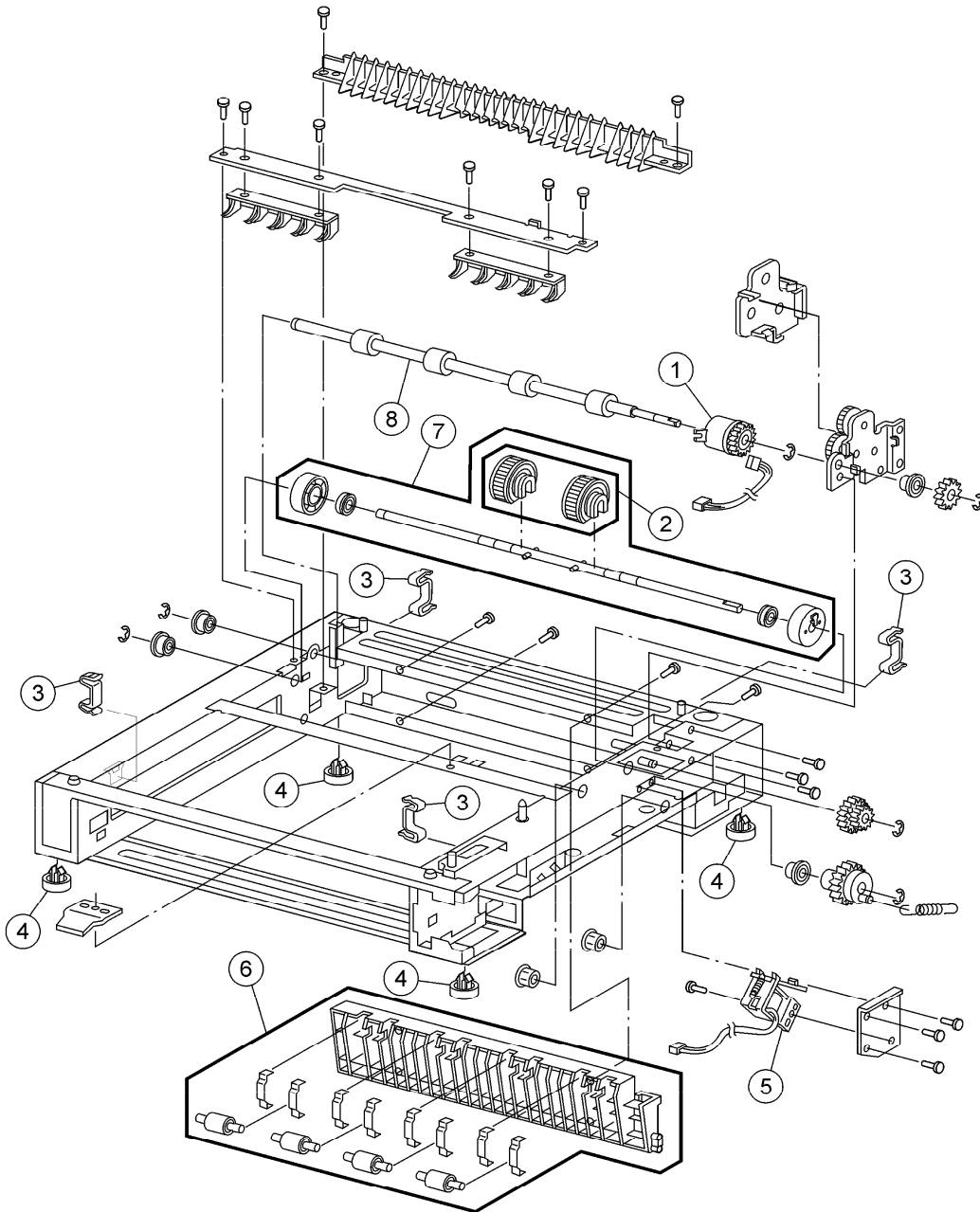
1 - Laser\4022 - Lexmark W812\10: Optional 250-Sheet Feeder (1 of 2)

01	56P0808	FEEDER ASM OPT 250
02	56P0919	OPT 250 FRONT COVER
03	56P0920	OPT 250 LEFT SIDE COVER
04	56P0921	OPT 250 RIGHT SIDE COVER
05	56P0811	SCREW OPT INTERCONNECT
06	56P0810	OPT INTERCONNECT CABLE
07	56P0802	PHOTO SENSOR
08	56P0922	OPT 250 PAPER EMPTY FLAG
09	56P0812	OPT SENSOR CLAMP
10	56P0804	TRAY PRESENT SWITCH
11	56P0923	UPPER CARD CAGE SWITCH COVER
12	56P0806	PAPER SIZE DIAL KNOB
13	56P0807	PAPERSIZE DIAL



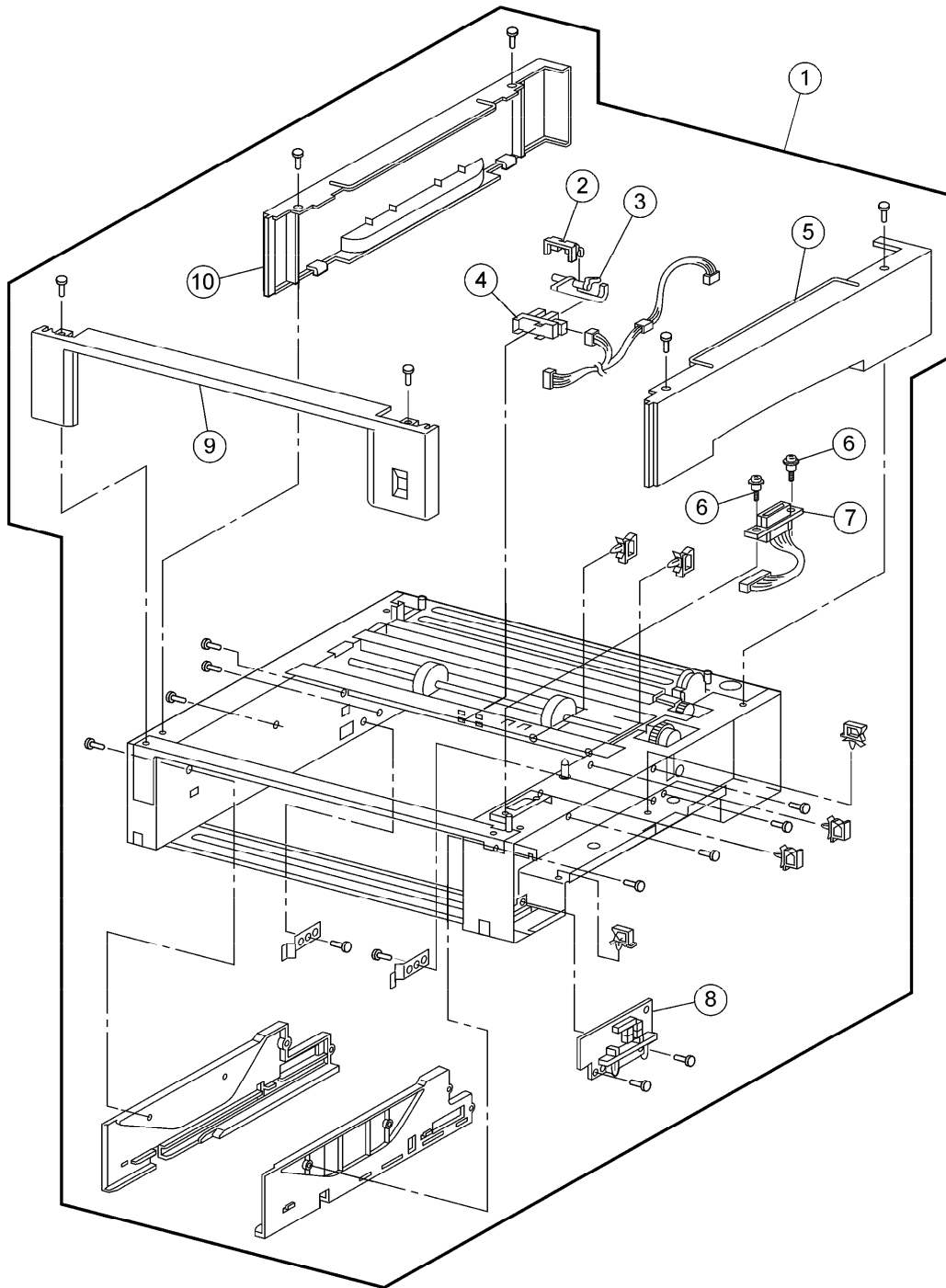
1 - Laser\4022 - Lexmark W812\10: Optional 250-Sheet Feeder (2 of 2)

- | | | |
|----|---------|--------------------------------|
| 01 | 56P0815 | OPTIONAL FEEDROLL CLUTCH |
| 02 | 56P0800 | PICK ROLL KIT |
| 03 | 56P0817 | GROMMET CABLE |
| 04 | 56P0809 | RUBBER FOOT |
| 05 | 56P0816 | OPTION 250/500 ROLLER SOLENOID |
| 06 | 56P0925 | OPT 250 PAPER GUIDE ASM |
| 07 | 56P0924 | OPT 250 PICK ROLL ASM |
| 08 | 56P0814 | OPTIONAL FEED ROLL ASM |



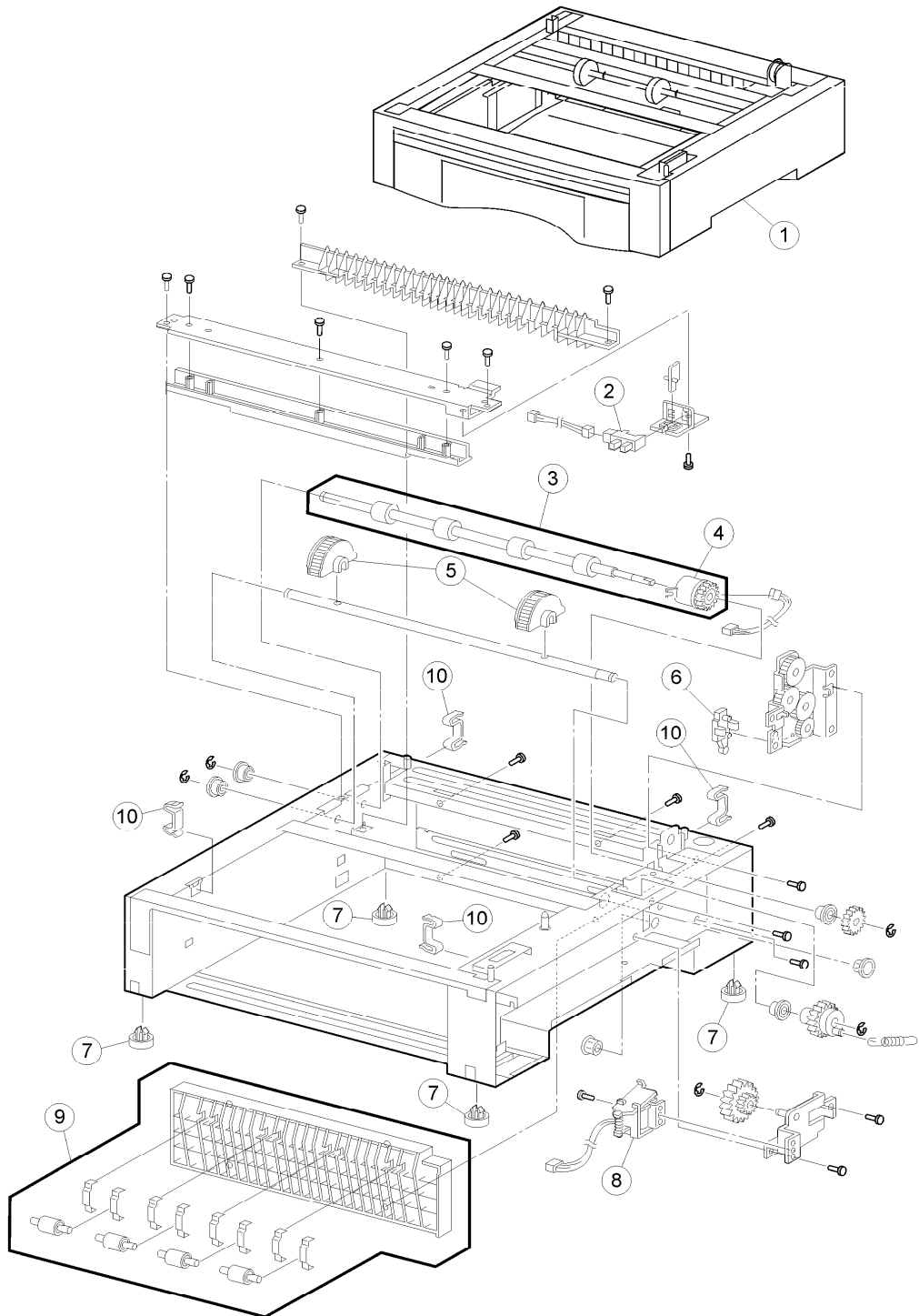
1 - Laser\4022 - Lexmark W812\11: Optional 500-Sheet Feeder (1 of 2)

01	56P0962	FEEDER ASM OPT 500 SHEET
01	56P0813	FEEDER ASM OPT 500
02	56P0812	OPT SENSOR CLAMP
03	56P0929	OPT 500 PAPER EMPTY FLAG
04	56P0802	PHOTO SENSOR
05	56P0928	OPT 500 RIGHT COVER
06	56P0811	SCREW OPT INTERCONNECT
07	56P0810	OPT INTERCONNECT CABLE
08	56P0969	CARD ASM 500 FDR
08	56P0930	CARD ASM OPT 500 FEEDER (A4)
09	56P0964	COVER OPT FRONT (A4)
09	56P0926	OPT 500 FRONT (LTR)COVER
10	56P0927	COVER OPT 500 LEFT
NS	56P0965	OPT 500 FEEDER (LTR) CABLE



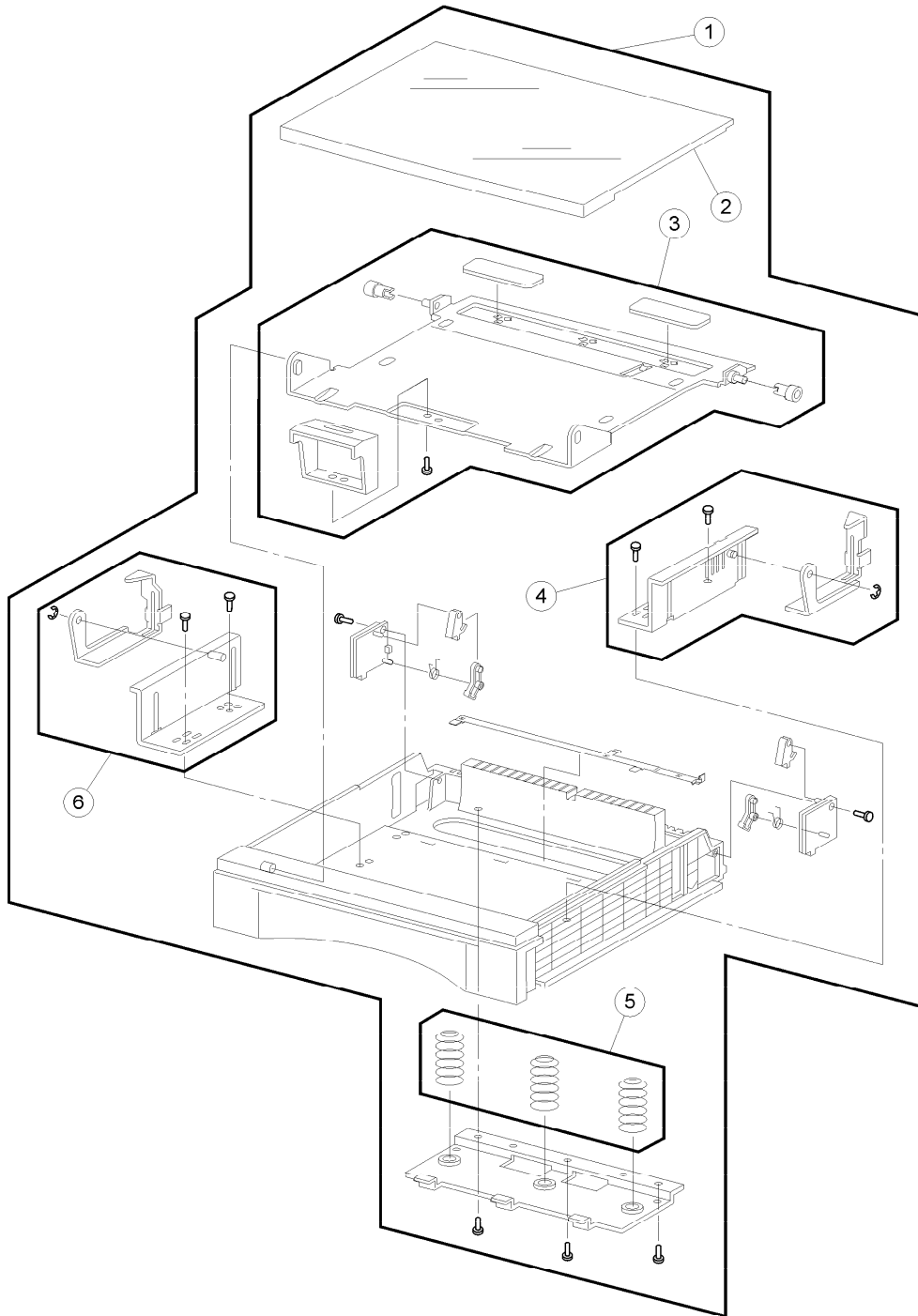
1 - Laser\4022 - Lexmark W812\11: Optional 500-Sheet Feeder (2 of 2)

01	56P0962	FEEDER ASM OPT 500 SHEET
01	56P0813	FEEDER ASM OPT 500
02	56P0802	PHOTO SENSOR
03	56P0814	OPTIONAL FEED ROLL ASM
04	56P0815	OPTIONAL FEEDROLL CLUTCH
05	56P0932	OPT 500 PICK ROLL
06	56P0804	TRAY PRESENT SWITCH
07	56P0809	RUBBER FOOT
08	56P0816	OPTION 250/500 ROLLER SOLENOID
09	56P0933	GUIDE ASM OPT 500 PAPER
10	56P0817	GROMMET CABLE



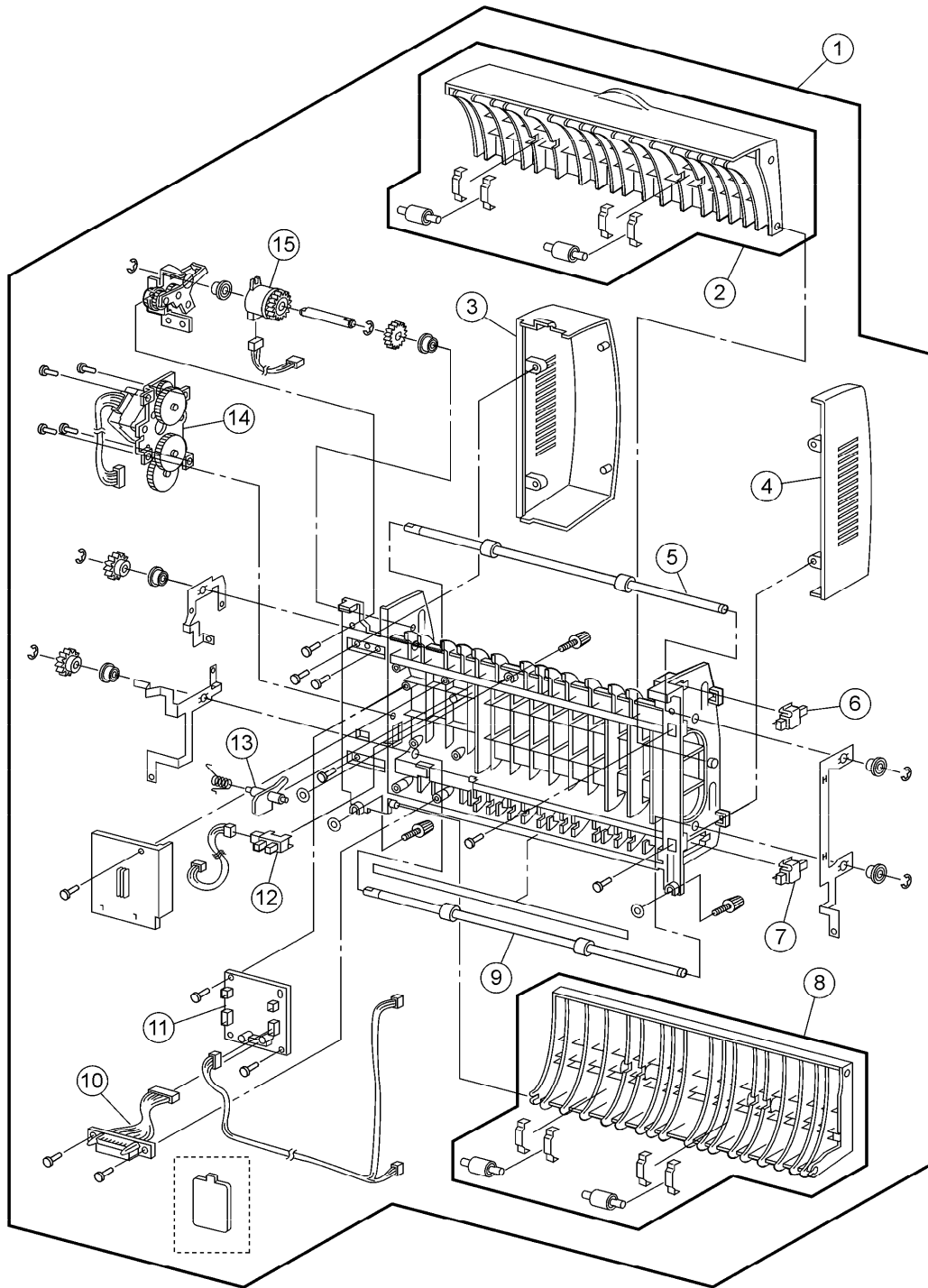
1 - Laser\4022 - Lexmark W812\12: Optional 500-Sheet Tray

01	56P0963	TRAY ASM 500 A4
01	56P0934	TRAY ASM 500 SHEET (LTR)
02	56P0938	COVER OPT 500 TRAY UPPER
03	56P0937	PLATE ASM OPT 500 LIFT
04	56P0935	GUIDE ASM 500 TRAY RIGHT
05	56P0960	OPT 500 SPRING KIT ASM
06	56P0936	OPT 500 TRAY LEFT GUIDE ASM



1 - Laser\4022 - Lexmark W812\13: Duplex Unit

- | | | |
|----|---------|------------------------------|
| 01 | 56P0939 | DUPLEX ASM COMPLETE |
| 02 | 56P0940 | DUPLEX UPPER ACCESS DOOR ASM |
| 03 | 56P0942 | DUPLEX LEFT SIDE COVER |
| 04 | 56P0943 | DUPLEX RIGHT SIDE COVER |
| 05 | 56P0946 | DUPLEX FEED ROLL ASM |
| 06 | 56P0947 | DUPLEX DOOR OPEN SWITCH |
| 07 | 56P0947 | DUPLEX DOOR OPEN SWITCH |
| 08 | 56P0941 | DUPLEX LOWER ACCESS DOOR ASM |
| 09 | 56P0946 | DUPLEX FEED ROLL ASM |
| 10 | 56P0945 | DUPLEX CABLE |
| 11 | 56P0944 | DUPLEX CARD ASM |
| 12 | 56P0802 | PHOTO SENSOR |
| 13 | 56P0948 | DUPLEX PAPAER SENSOR FLAG |
| 14 | 56P0949 | MOTOR ASM DUPLEX |
| 15 | 56P0950 | DUPLEX CLUTCH |



1 - Laser\4022 - Lexmark W812\14: Miscellaneous-Options

NS	99A1684	(X) Card Asm Op Frms Flash 2M
NS	56P0695	CARD ASM 8MB RAM
NS	56P0696	CARD ASM 16MB SDRAMM DIMM
NS	56P0697	CARD ASM 32MB SDRAMM DIMM
NS	56P0698	CARD ASM 64MB SDRAMM DIMM
NS	56P0699	CARD ASM 128MB SDRAM DIM
NS	99A1757	Card ASM 2MB FLASH DIMM
NS	99A1758	Card ASM 4MB FLASH DIMM
NS	99A1759	Card ASM 8MB FLASH DIMM
NS	56P0694	CARD ASM 4MB SDRAM DIMM
NS	99A1683	(X) Card Asm Op Frms Flash 2M
NS	1364881	Cable, Serial (50 ft.)
NS	99A1685	(X) Card Asm Op Frms Flash 8M
NS	99A1686	(X) Card Asm Op Frms Flash16M
NS	12G9833	MARKNT X2011E ETHERNET
NS	12G9832	MAFKNT X2012E ETHERNET
NS	12G9831	MARKNT X2031E ETHERNET
NS	12G9830	MARKNT X2030E TR
NS	99A0545	ADAPTER SERIAL
NS	1427498	CABLE 20FT HI-SPEED BIDI PARA
NS	12A2405	CABLE PACKAGED USB
NS	99A1774	Card ASM 16MB FLASH DIMM