

Parts Breakdown

Lexmark W820

4025-XXX

Extracted From Service Manual



LEXMARKTM

Passion for printing ideas.TM

Edition: July 2002

The following paragraph does not apply to any country where such provisions are inconsistent with local law:
LEXMARK INTERNATIONAL, INC. PROVIDES THIS PUBLICATION "AS IS" WITHOUT WARRANTY OF ANY KIND, EITHER EXPRESS OR IMPLIED, INCLUDING, BUT NOT LIMITED TO, THE IMPLIED WARRANTIES OF MERCHANTABILITY OR FITNESS FOR A PARTICULAR PURPOSE. Some states do not allow disclaimer of express or implied warranties in certain transactions; therefore, this statement may not apply to you.

This publication could include technical inaccuracies or typographical errors. Changes are periodically made to the information herein; these changes will be incorporated in later editions. Improvements or changes in the products or the programs described may be made at any time.

Comments may be addressed to Lexmark International, Inc., Department D22A/032-2, 740 West New Circle Road, Lexington, Kentucky 40550, U.S.A or e-mail at ServiceInfoAndTraining@Lexmark.com. Lexmark may use or distribute any of the information you supply in any way it believes appropriate without incurring any obligation to you. You can purchase additional copies of publications related to this product by calling 1-800-553-9727. In other countries, contact your point of purchase.

Lexmark and Lexmark with diamond design are trademarks of Lexmark International, Inc., registered in the United States and/or other countries.

PostScript is a registered trademark of Adobe Systems Incorporated.

Other trademarks are the property of their respective owners.

**© Copyright Lexmark International, Inc. 2001, 2002.
All rights reserved.**

UNITED STATES GOVERNMENT RESTRICTED RIGHTS

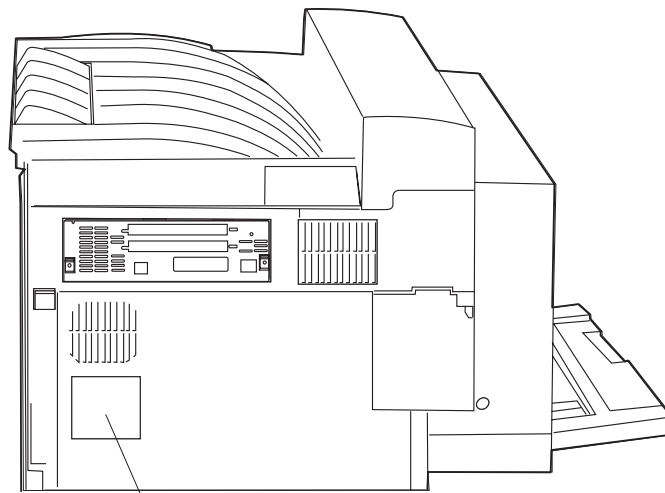
This software and documentation are provided with RESTRICTED RIGHTS. Use, duplication or disclosure by the Government is subject to restrictions as set forth in subparagraph (c)(1)(ii) of the Rights in Technical Data and Computer Software clause at DFARS 252.227-7013 and in applicable FAR provisions: Lexmark International, Inc., Lexington, KY

7. Parts Catalog

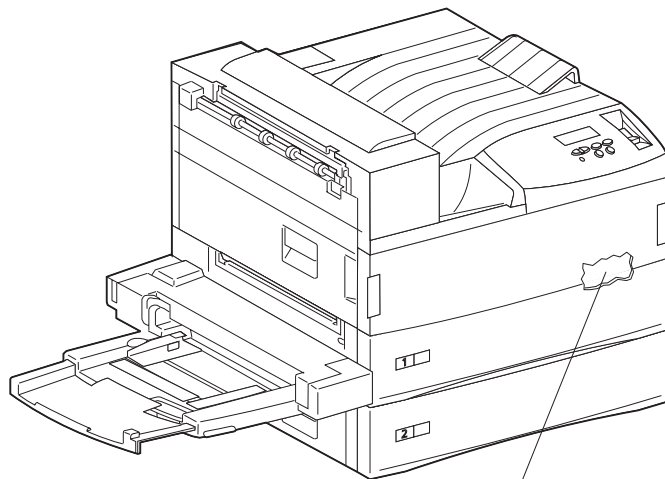
How to Use This Parts Catalog

- The callout numbers shown in each parts illustration correspond to the parts list numbers for that illustration.
- The capital letters "C," "E," "KL," and "S" shown in an illustration stand for C-ring, E-ring, Clamp, and Screw, respectively.
- NS: (Not Shown) in the Asm-Index column indicates that the part is procurable but is not pictured in the illustration.

Printer serial number labels are on the rear of the printer and inside the front cover.

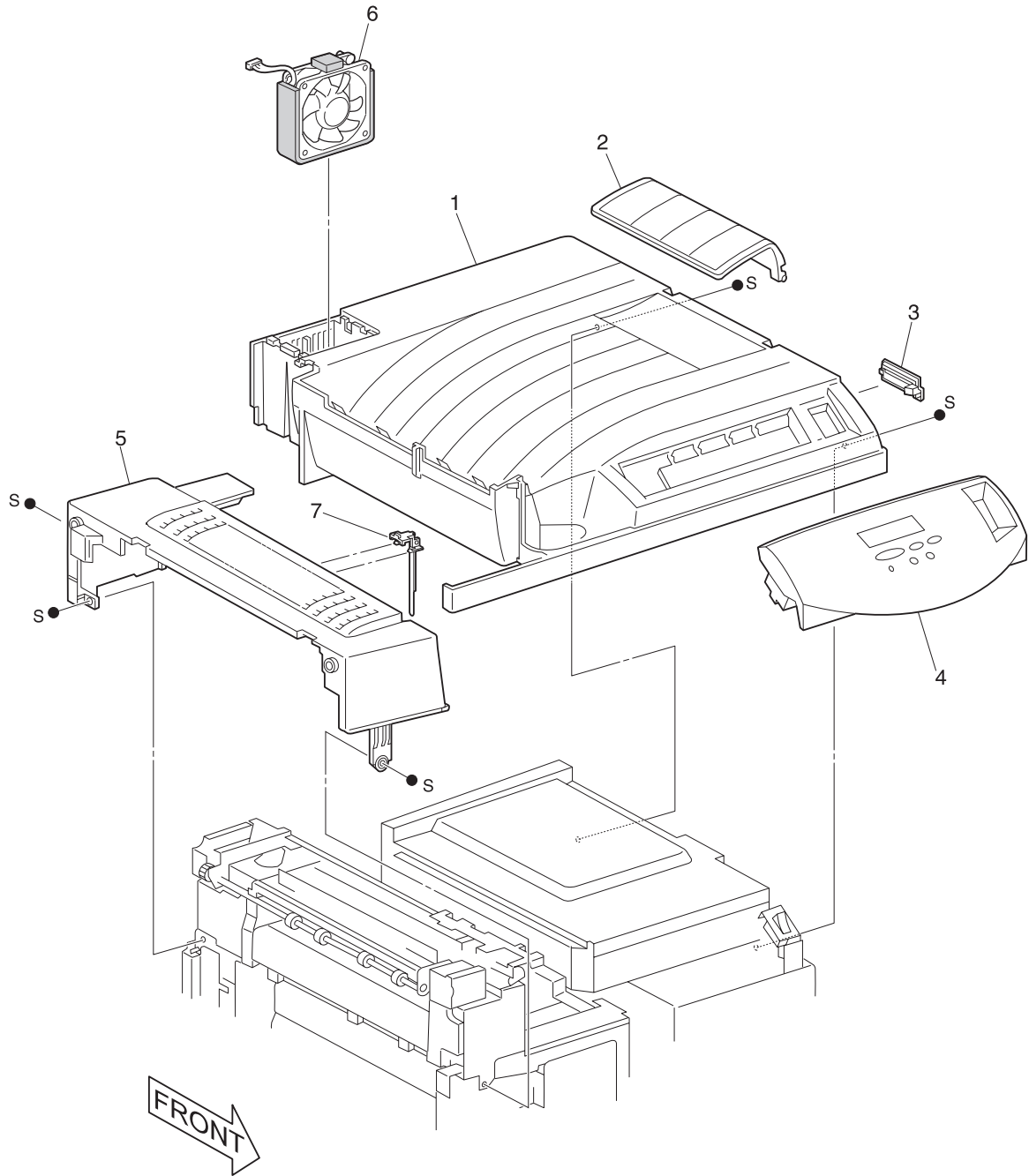


Printer Serial Number



Printer Serial Number

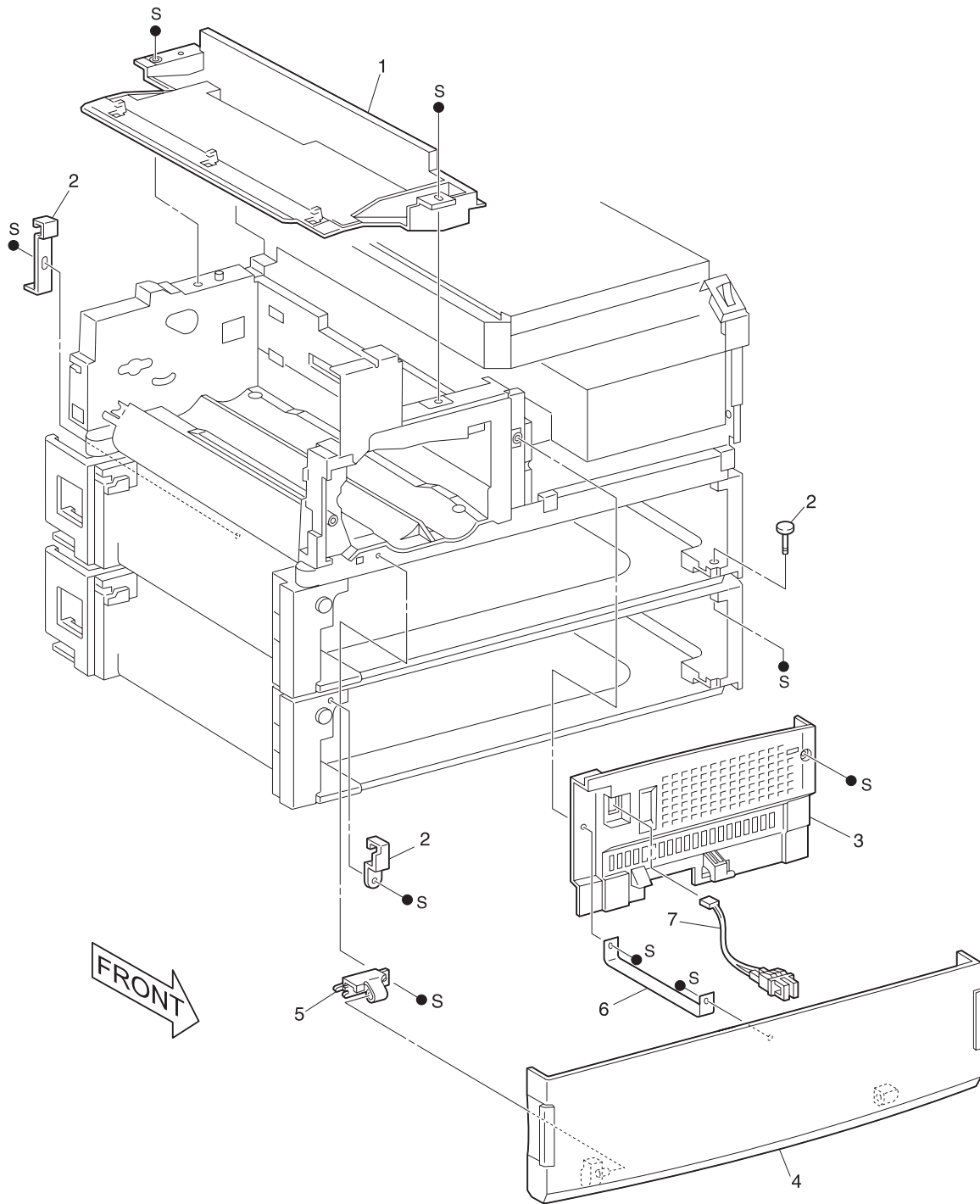
Assembly 1: Top Cover Assembly



Assembly 1: Top Cover Assembly

Asm-Index	Part Number	Units	Description
1-1	12G4000	1	COVER PRINTER, TOP
-2	12G4001	1	STOP, PAPER
-3	12G4002	1	COVER, CONNECTOR
-4	12G4003	1	OP PANEL ASSEMBLY
-5	12G4004	1	COVER, FUSER
-6	12G4005	1	FAN, FUSER
-7	12G4186	1	DAMPER ASM, PAPER

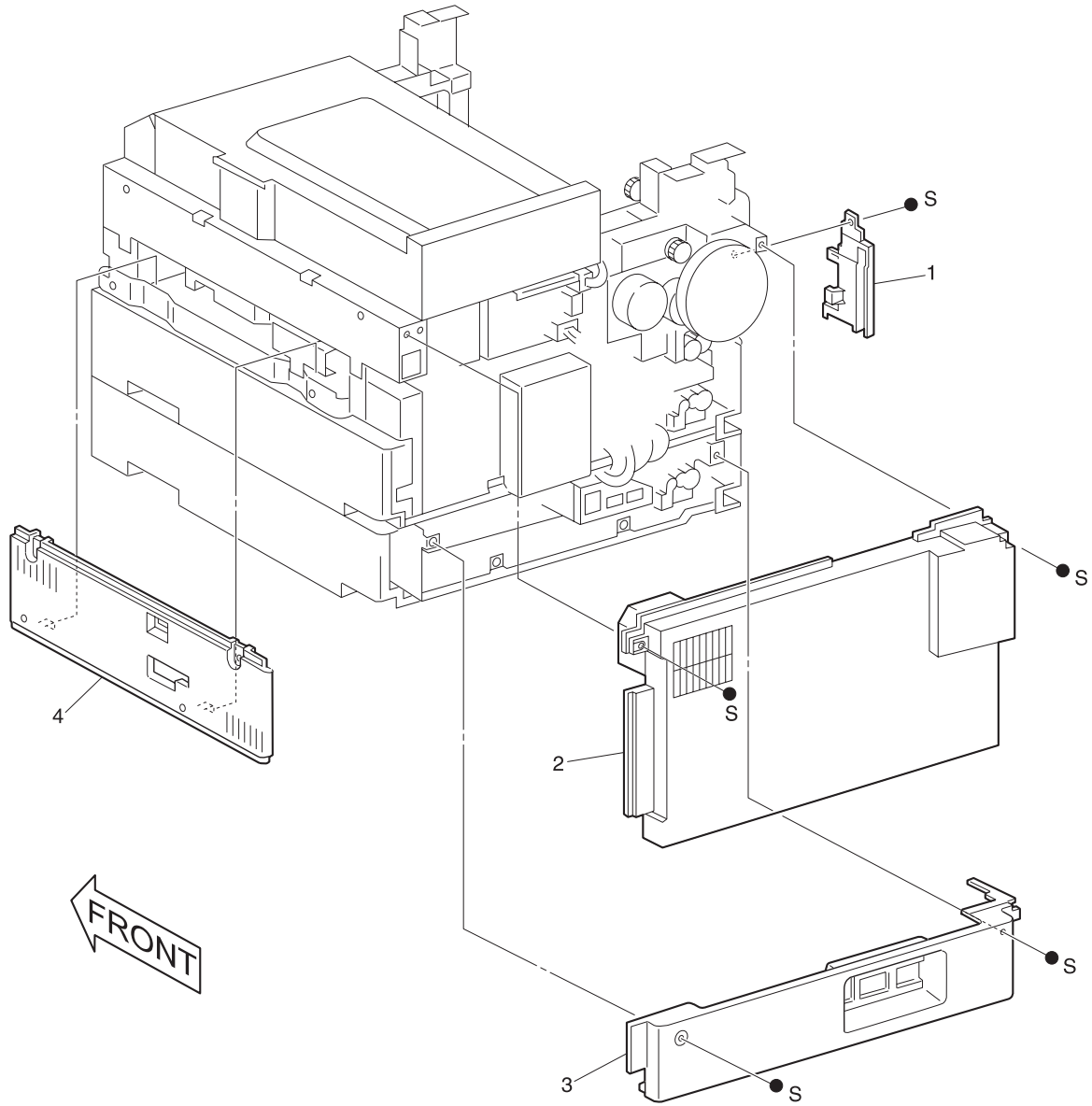
Assembly 2: Front Cover



Assembly 2: Front Cover

Asm-Index	Part Number	Units	Description
2-1	12G4009	1	DUCT, AIR
-2	12G4012	1	KIT,TRAY 2 MOUNTING
-3	12G4008	1	COVER, PRINTER INNER FRONT
-4	12G4006	1	COVER PRINTER, FRONT
-5	12G4007	1	HINGE, COVER
-6	12G4011	1	STRAP, COVER SUPPORT
-7	12G4010	1	SWITCH, INTERLOCK ASSEMBLY

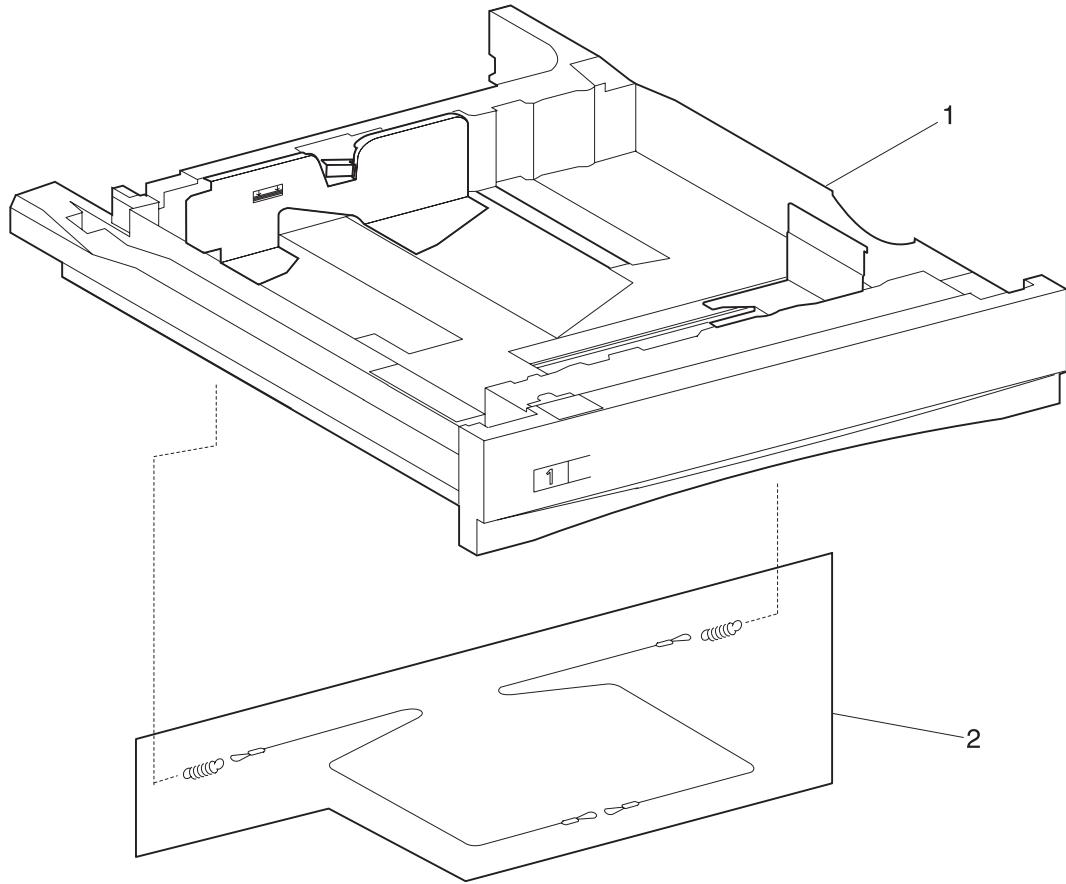
Assembly 3: Rear, Left, and Right Covers



Assembly 3: Rear, Left, and Right Covers

Asm-Index	Part Number	Units	Description
3-1	12G4013	1	COVER, PRINTER INNER LH
-2	12G4015	1	COVER ASM, PRINTER REAR UPPER
-3	12G4016	1	COVER PRINTER, REAR LOWER
-4	12G4014	1	COVER, PRINTER RH

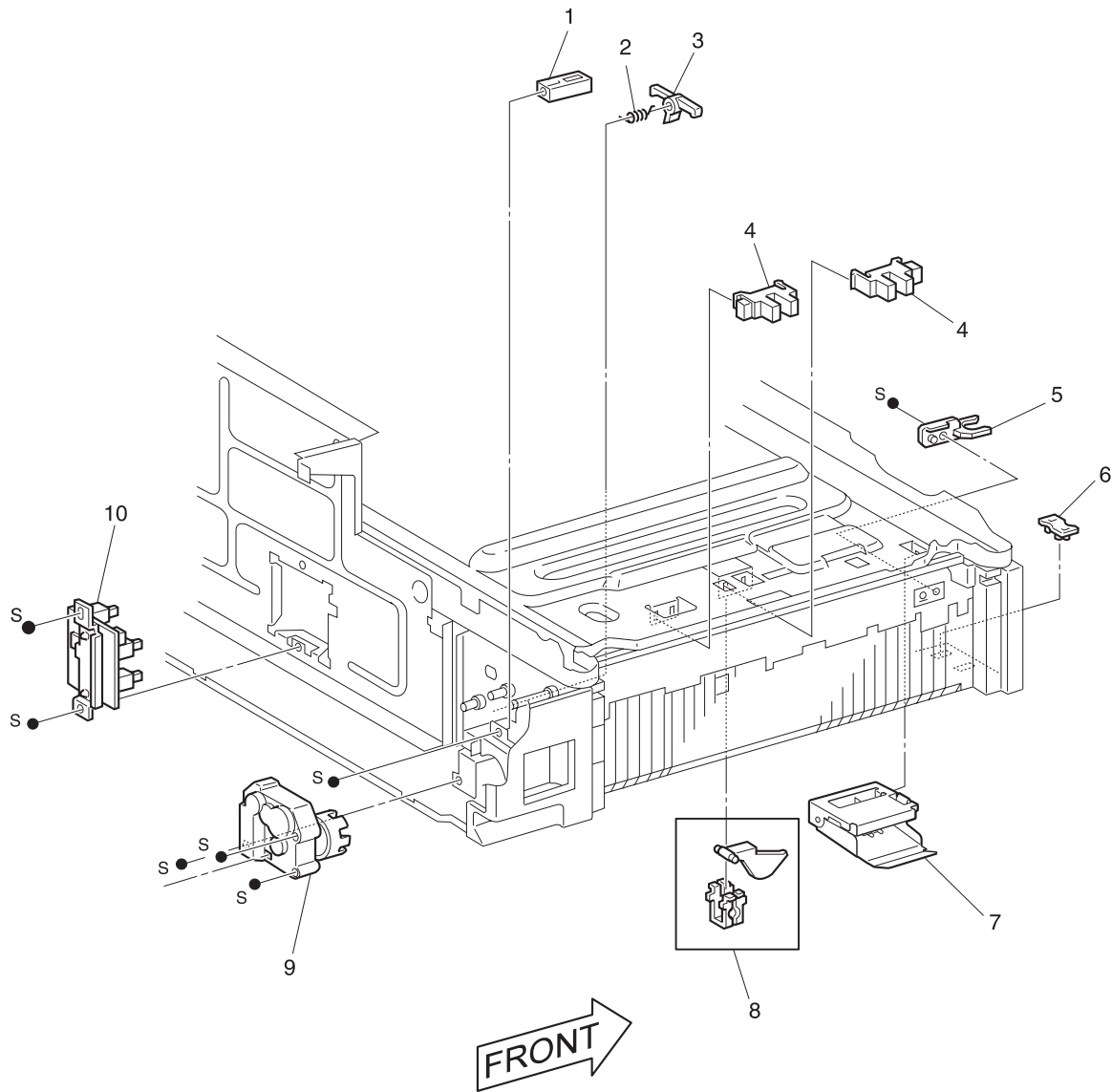
Assembly 4: Tray Unit - Paper Stack



Assembly 4: Tray Unit - Paper Stack

Asm-Index	Part Number	Units	Description
4-1	12G4017	1	TRAY ASM, PAPER
2	12G4018	1	KIT, PAPER TRAY CABLES

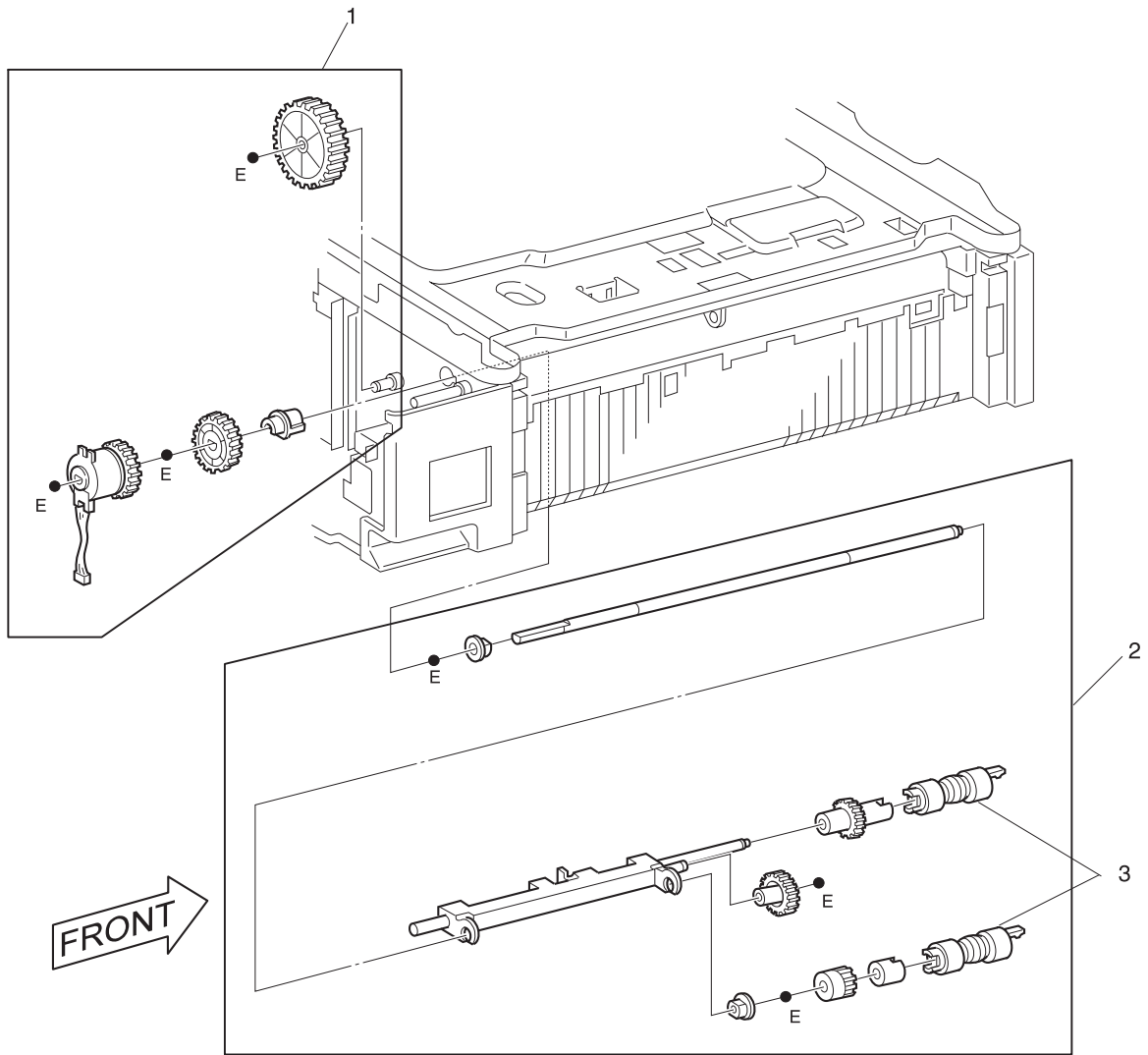
Assembly 5: Tray Interface



Assembly 5: Tray Interface

Asm-Index	Part Number	Units	Description
5-1	12G4024	1	STOP, TRAY R
-2	12G4027	1	SPRING, TORSION
-3	12G4026	1	LINK STOP, TRAY 1
-3	12G4036	1	LINK STOP, TRAY 2
-4	12G4021	1	SENSOR, PHOTO
-5	12G4023	1	STOP, TRAY F
-6	12G4025	1	SPACER, L
-7	12G4022	1	GUIDE, TRAY 1
-7	12G4035	1	GUIDE, TRAY 2
-8	12G4028	1	KIT, SENSOR ACTUATOR
-9	12G4020	1	MOTOR ASM, PAPER TRAY
-10	12G4019	1	SWITCH ASM, PAPER SIZE

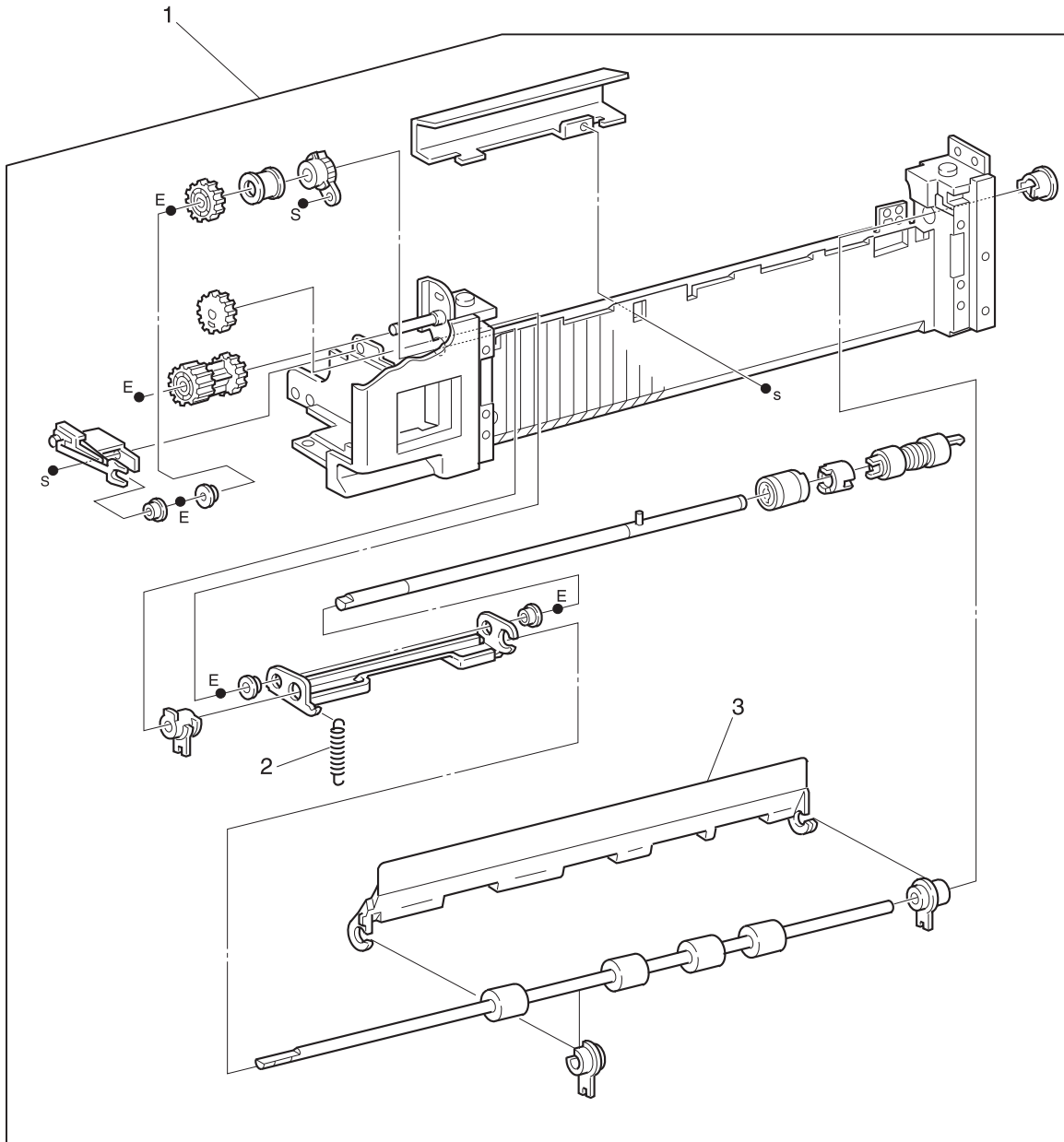
Assembly 6: Paper Pick Up



Assembly 6: Paper Pick Up

Asm-Index	Part Number	Units	Description
6-1	12G4030	1	KIT, TRAY 1 CLUTCH
-1	12G4037	1	KIT, TRAY 2 CLUTCH
-2	12G4029	1	FEEDER ASM PAPER
-3	12G4031	6	KIT, FEED ROLL (Qty 6)

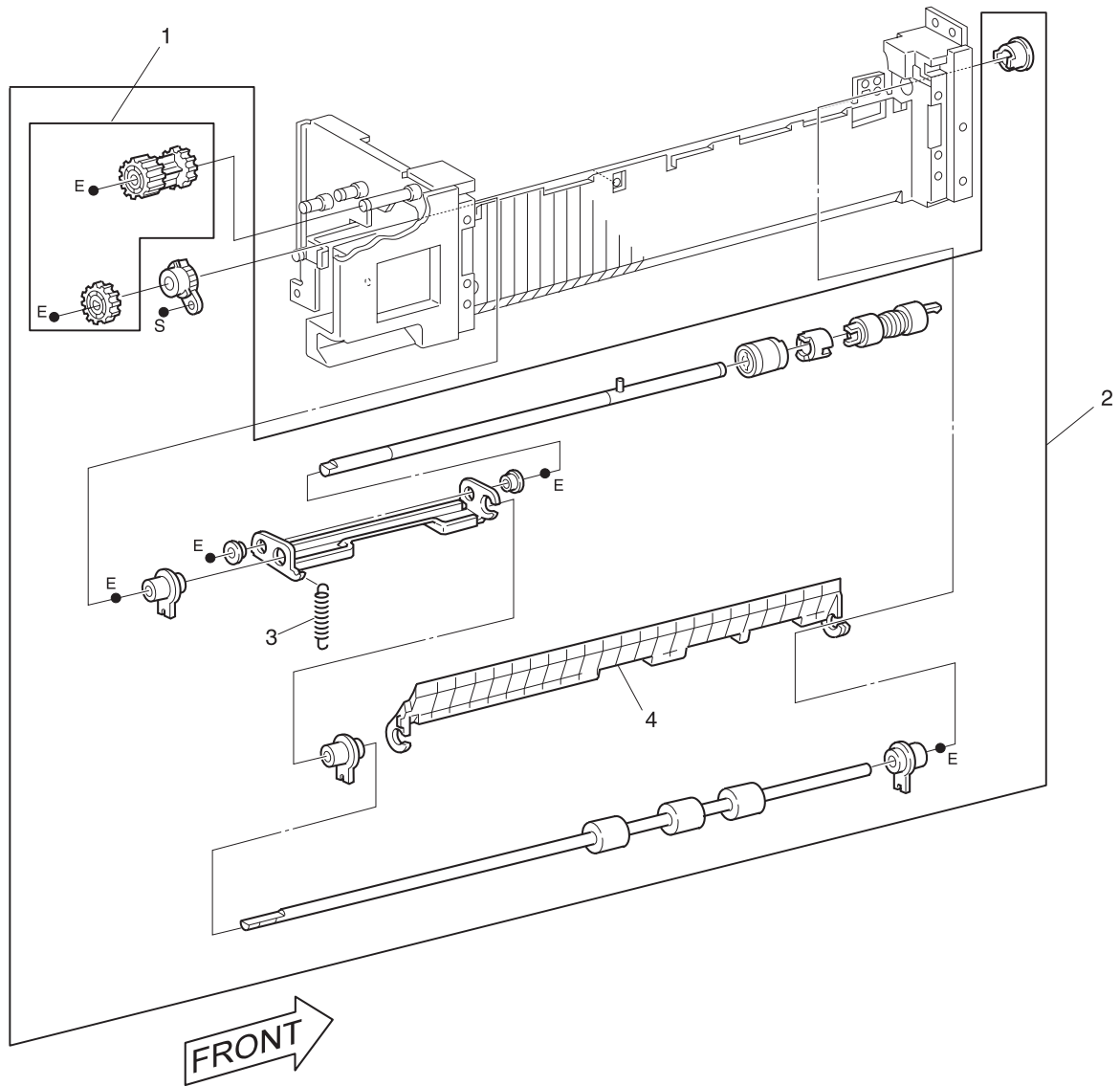
Assembly 7: Retard and Take Away - Tray 1



Assembly 7: Retard and Take Away - Tray 1

Asm-Index	Part Number	Units	Description
7-1	12G4034	1	EXIT ASM, HIGH PAPER RETARD
-2	12G4033	1	SPRING, EXTENSION
-3	12G4032	1	GUIDE, PAPER FEED OUT

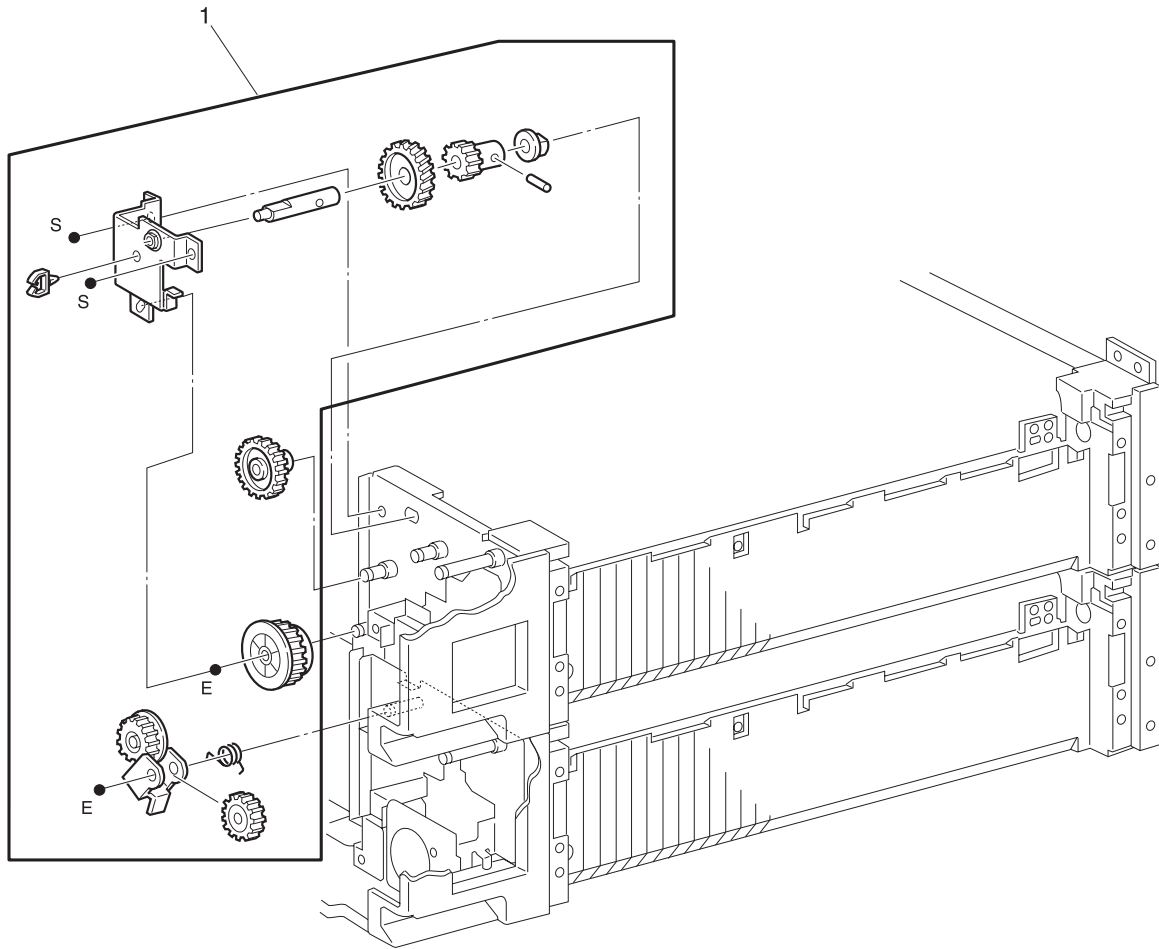
Assembly 8: Retard and Take Away - Tray 2



Assembly 8: Retard and Take Away - Tray 2

Asm-Index	Part Number	Units	Description
8-1	12G4040	1	KIT, TRAY 2 EXIT GEAR
-2	12G4039	1	EXIT ASM, TRAY 2 PAPER
-3	12G4033	1	SPRING
-4	12G4038	1	GUIDE, PAPER EXIT

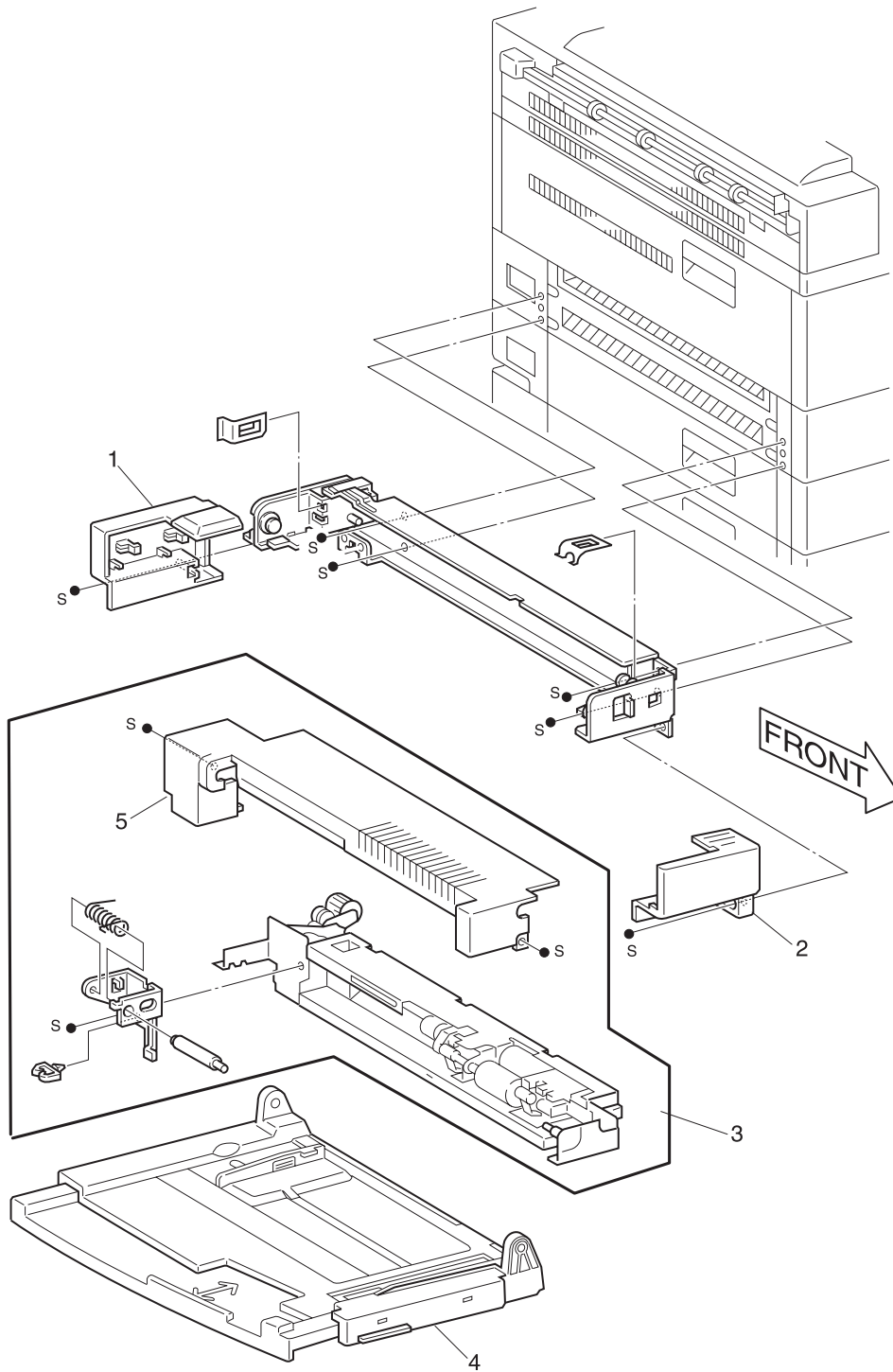
Assembly 9: Feed Drive Transmission



Assembly 9: Feed Drive Transmission

Asm-Index	Part Number	Units	Description
9-1	12G4041	1	KIT, FEED DRIVE REPAIR

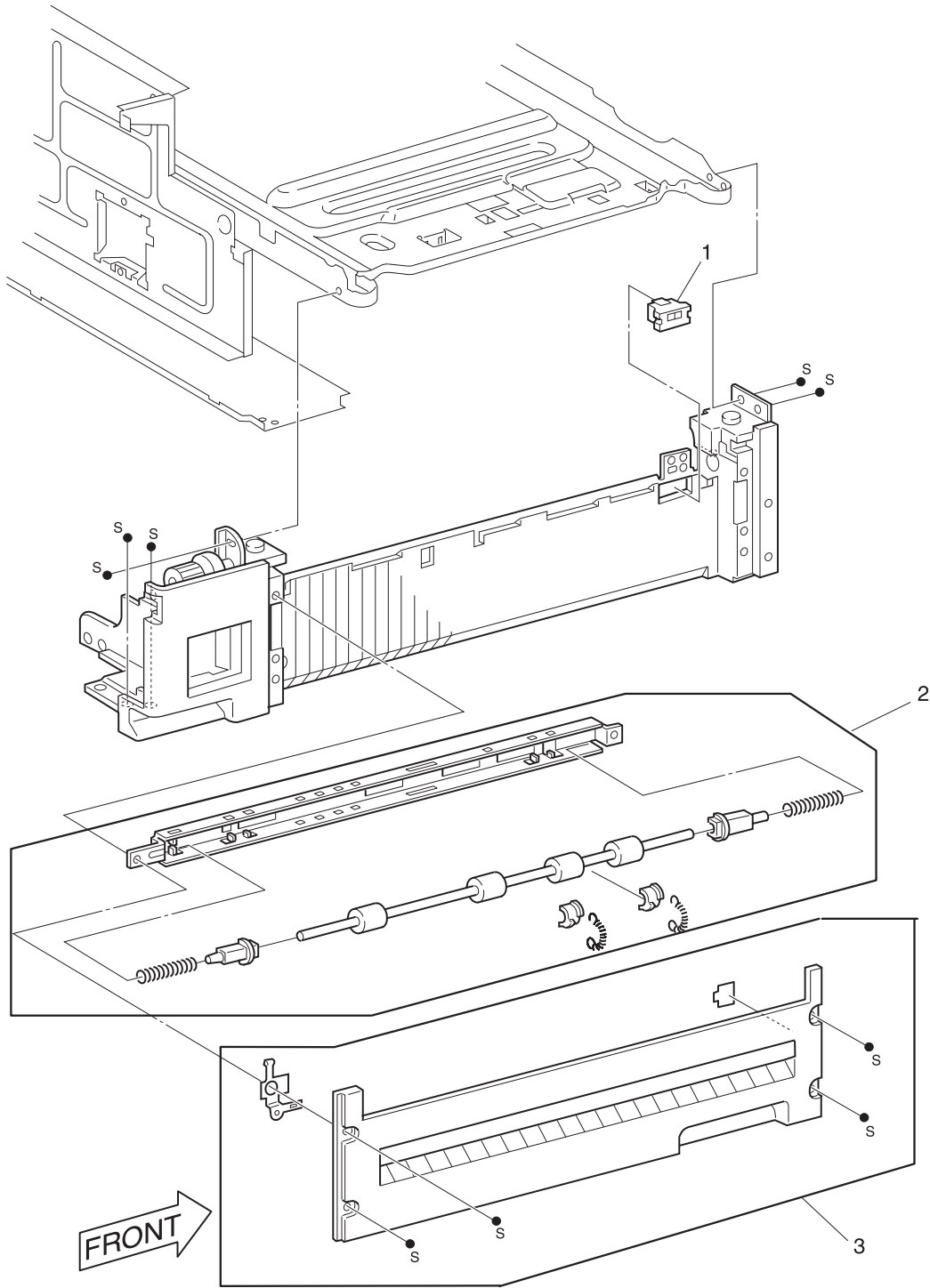
Assembly 10: Multi Purpose Feeder and MPF/Duplex Support



Assembly 10: Multi Purpose Feeder and MPF/Duplex Support

Asm-Index	Part Number	Units	Description
10-1	12G4043	1	COVER, MP FEEDER REAR
-2	12G4042	1	COVER, MP FEEDER FRONT
-3	12G4044	1	FEEDER, MP FEEDER
-4	12G4046	1	TRAY ASM, MP FEEDER
-5	12G4045	1	COVER, MP FEEDER TOP

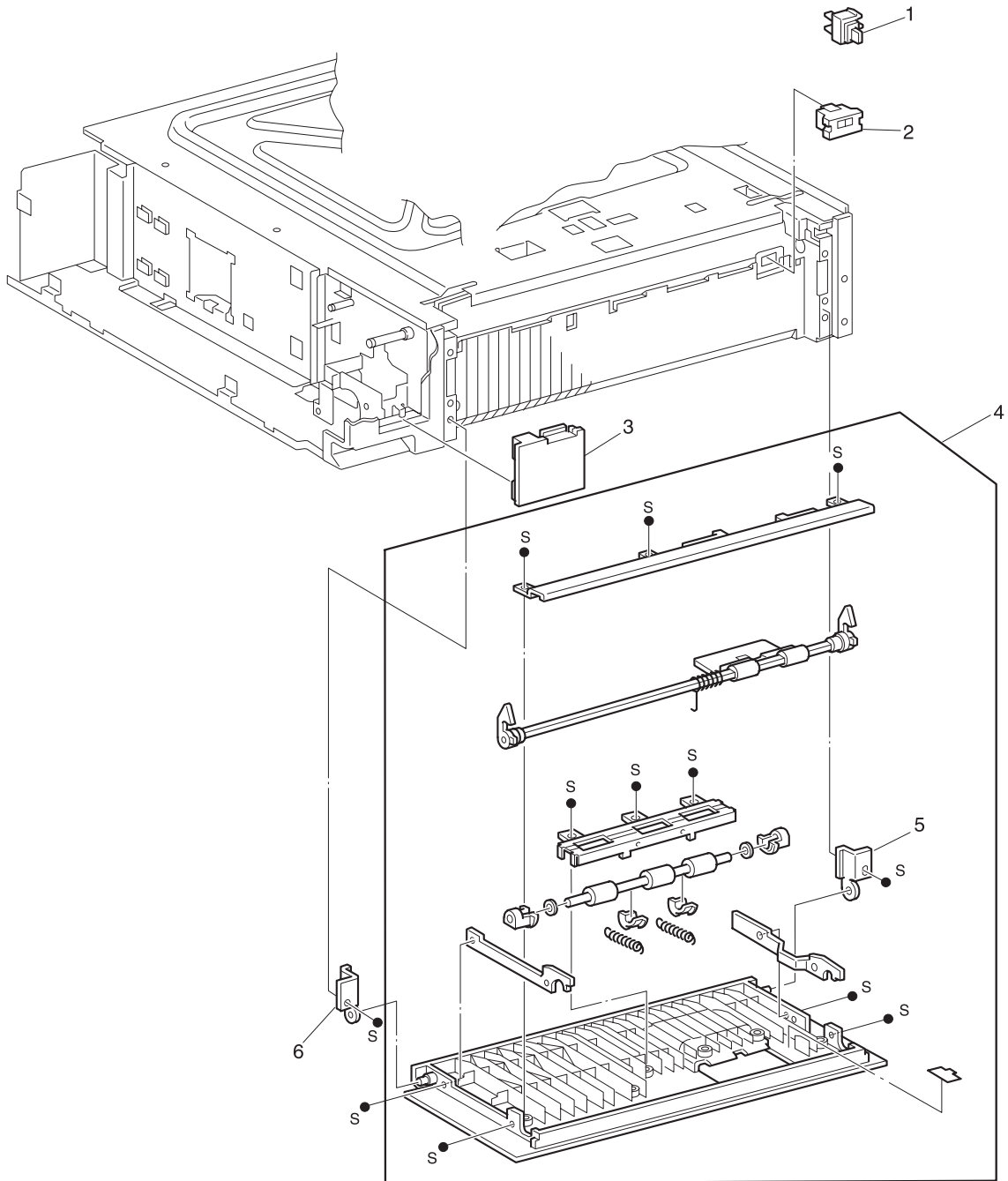
Assembly 11: Tray 1 Frame and Left Cover



Assembly 11: Tray 1 Frame and Left Cover

Asm-Index	Part Number	Units	Description
11-1	12G4049	1	SENSOR, PHOTO
-2	12G4047	1	ROLLER ASM, PINCH
-3	12G4048	1	COVER ASM, PRINTER LOWER LEFT

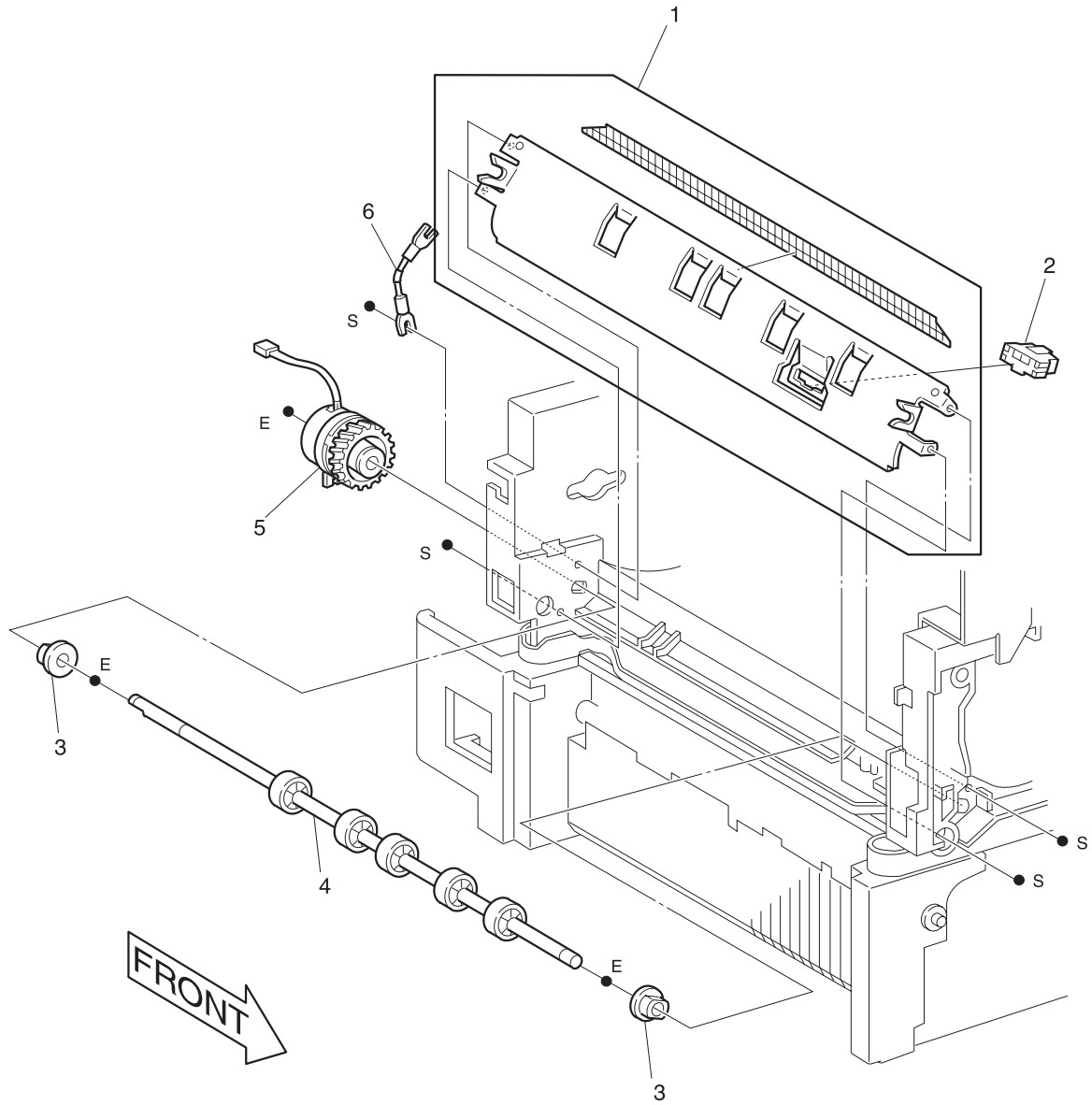
Assembly 12: Tray 2 Frame and Left Cover



Assembly 12: Tray 2 Frame and Left Cover

Asm-Index	Part Number	Units	Description
12-1	12G4053	1	SWITCH, INTERLOCK
-2	12G4049	1	SENSOR
-3	12G4054	1	COVER, CAP
-4	12G4050	1	COVER ASM, PRINTER LEFT
-5	12G4051	1	HINGE, COVER RH
-6	12G4052	1	HINGE, COVER LH

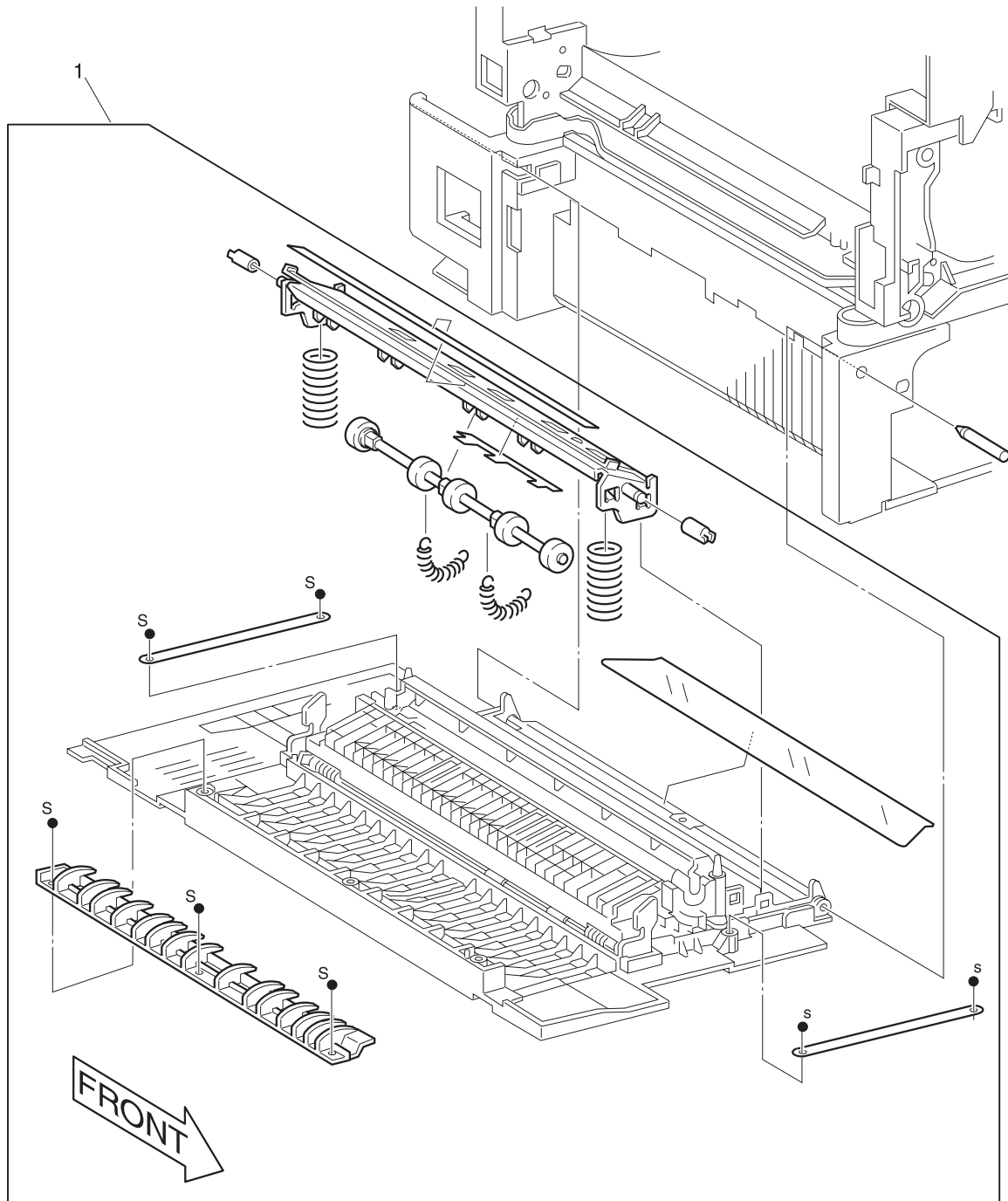
Assembly 13: Registration



Assembly 13: Registration

Asm-Index	Part Number	Units	Description
13-1	12G4057	1	GUIDE, REGISTRATION
-2	12G4049	1	SENSOR
-3	12G4059	1	KIT, BEARING
-4	12G4056	1	ROLLER ASM, REGISTRATION
-5	12G4055	1	CLUTCH ASM, REGISTRATION
-6	12G4058	1	CABLE, REGISTRATION

Assembly 14: Left Upper Cover Assembly

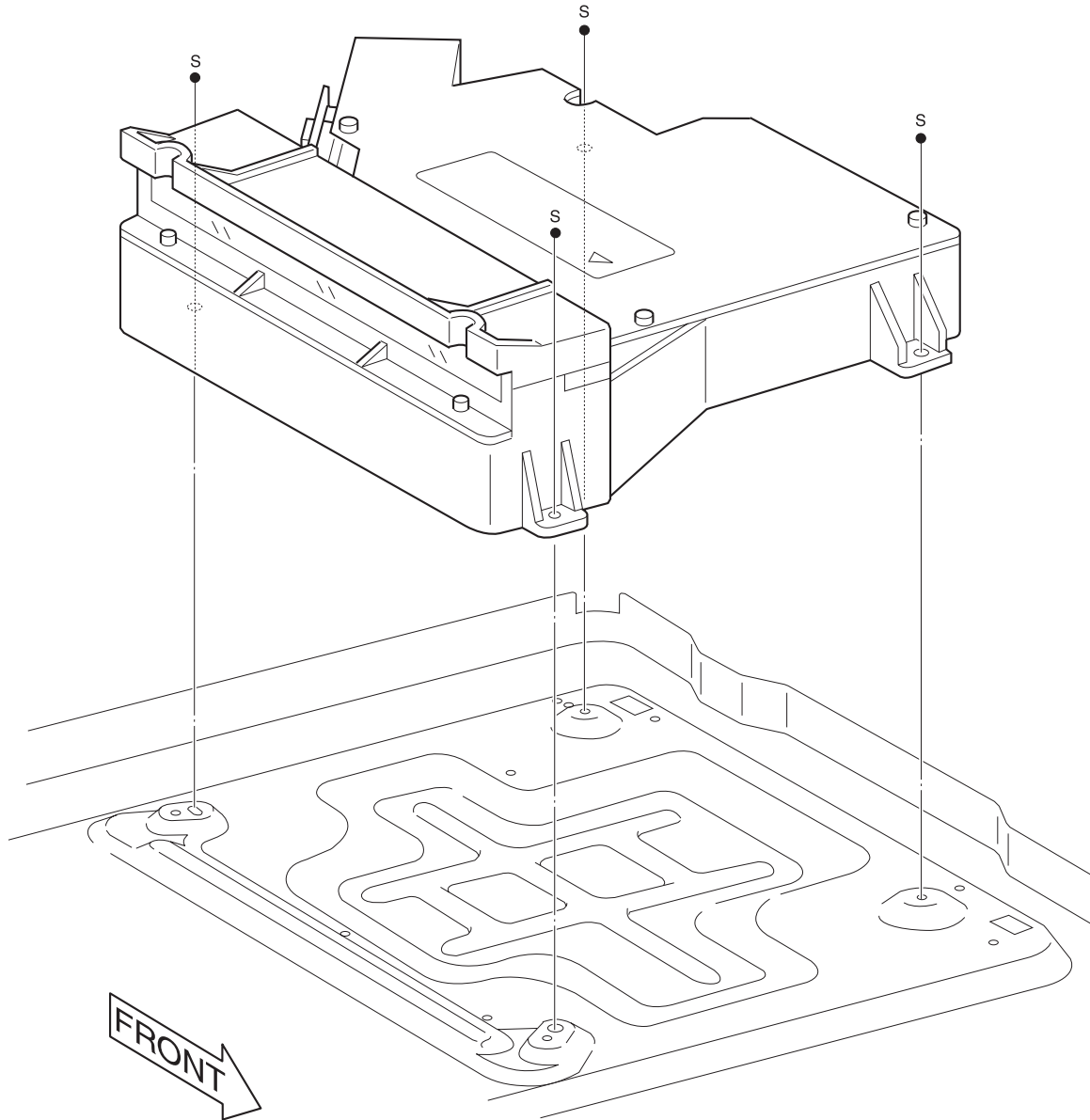


Assembly 14: Left Upper Cover Assembly

Asm-Index	Part Number	Units	Description
14-1	12G4060	1	COVER ASM, PRINTER UPPER LEFT

Assembly 15: Printhead Assembly

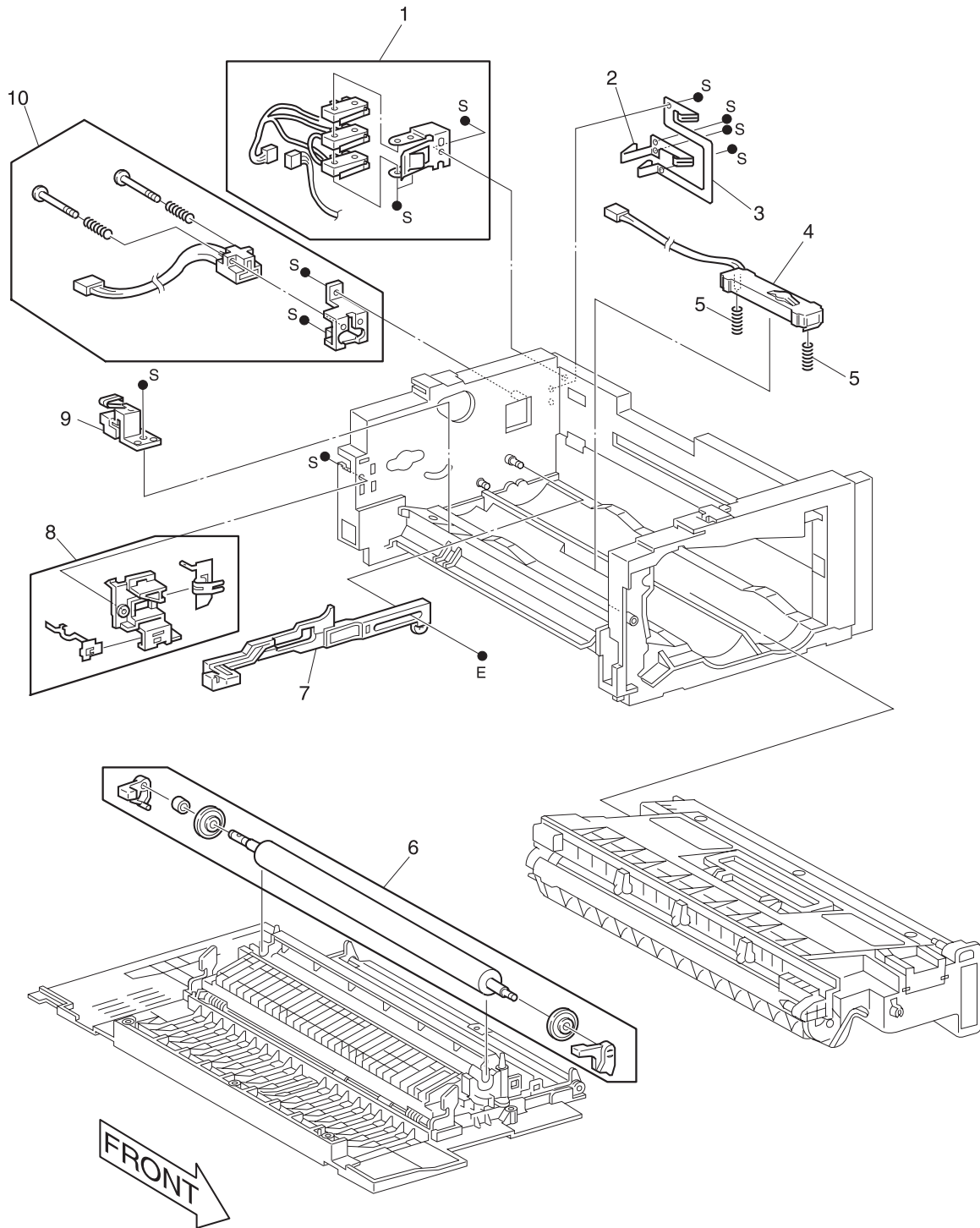
1



Assembly 15: Printhead Assembly

Asm-Index	Part Number	Units	Description
15-1	12G4061	1	PRINthead

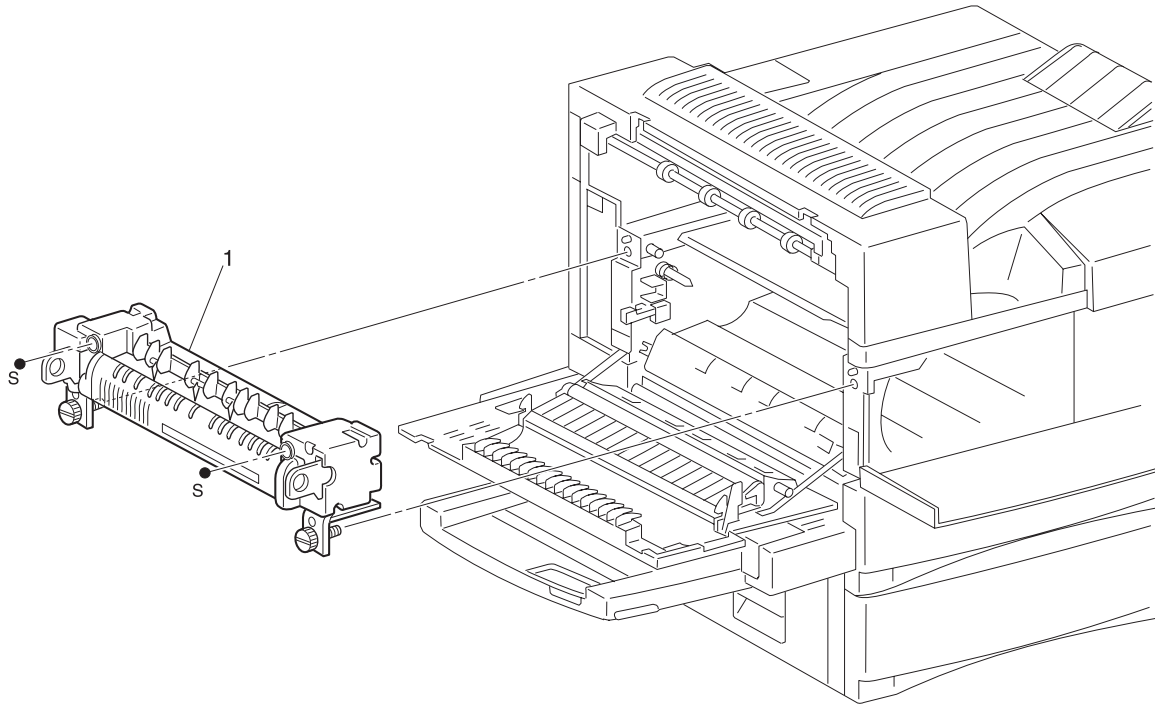
Assembly 16: Xerography and Development



Assembly 16: Xerography and Development

Asm-Index	Part Number	Units	Description
16-1	12G4069	1	SWITCH ASM, INTERLOCK
-2	12G4071	1	PLATE, CONTACT D
-3	12G4070	1	PLATE, CONTACT C
-4	12G4065	1	SENSOR ASM, TONER
-5	12G4066	1	SPRING, SENSOR
-6	12G4062	1	ROLLER, TRANSFER
-7	12G4064	1	SLIDER, EXIT
-8	12G4063	1	CONTACT ASM, TRANSFER ROLLER
-9	12G4068	1	BRACKET, CABLE
-10	12G4067	1	CONTACT ASM, CARTRIDGE

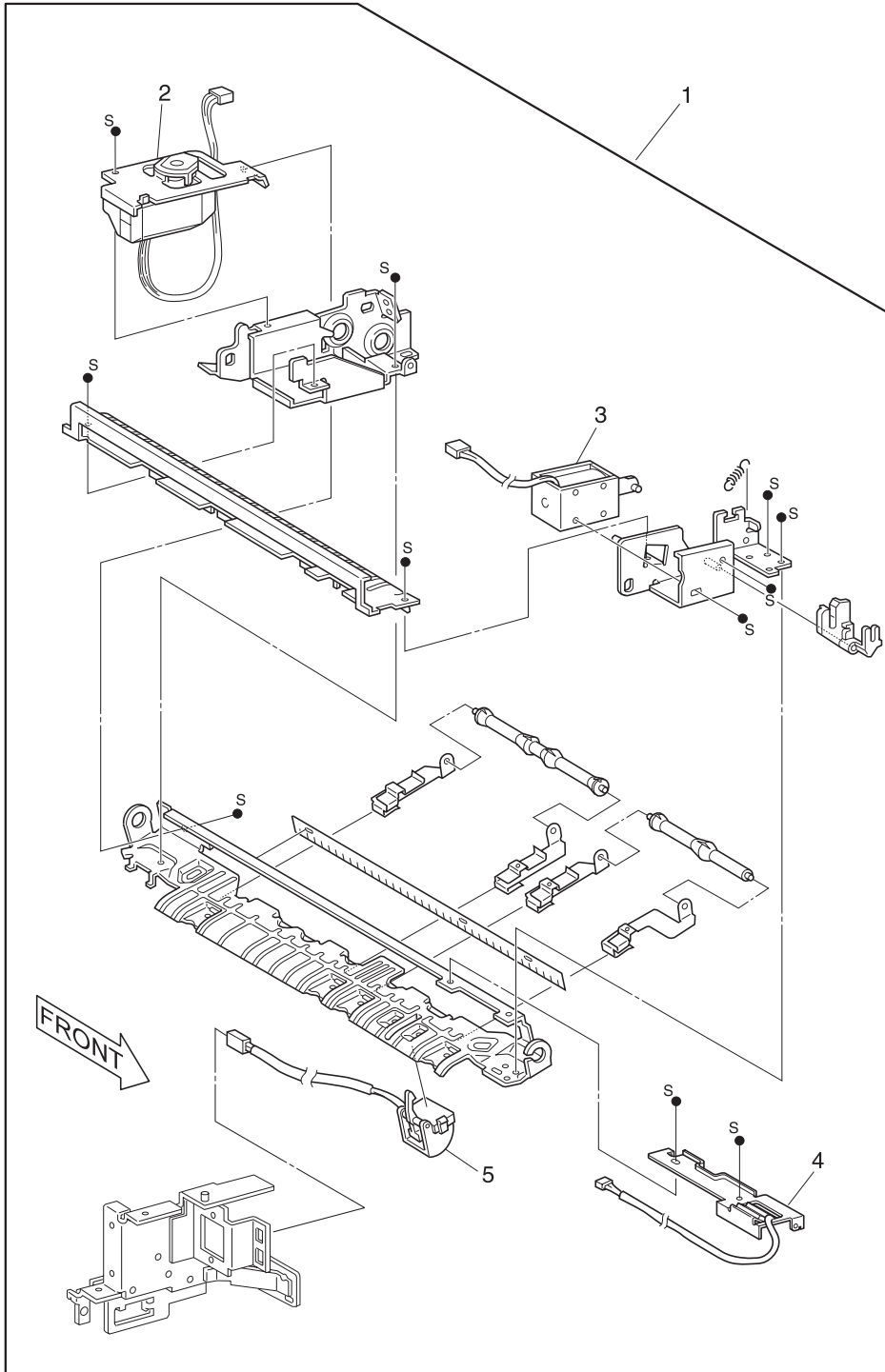
Assembly 17: Fuser Assembly



Assembly 17: Fuser Assembly

Asm-Index	Part Number	Units	Description
17-1	12G4184	1	FUSER ASM, LV
-1	12G4185	1	FUSER ASM, HV

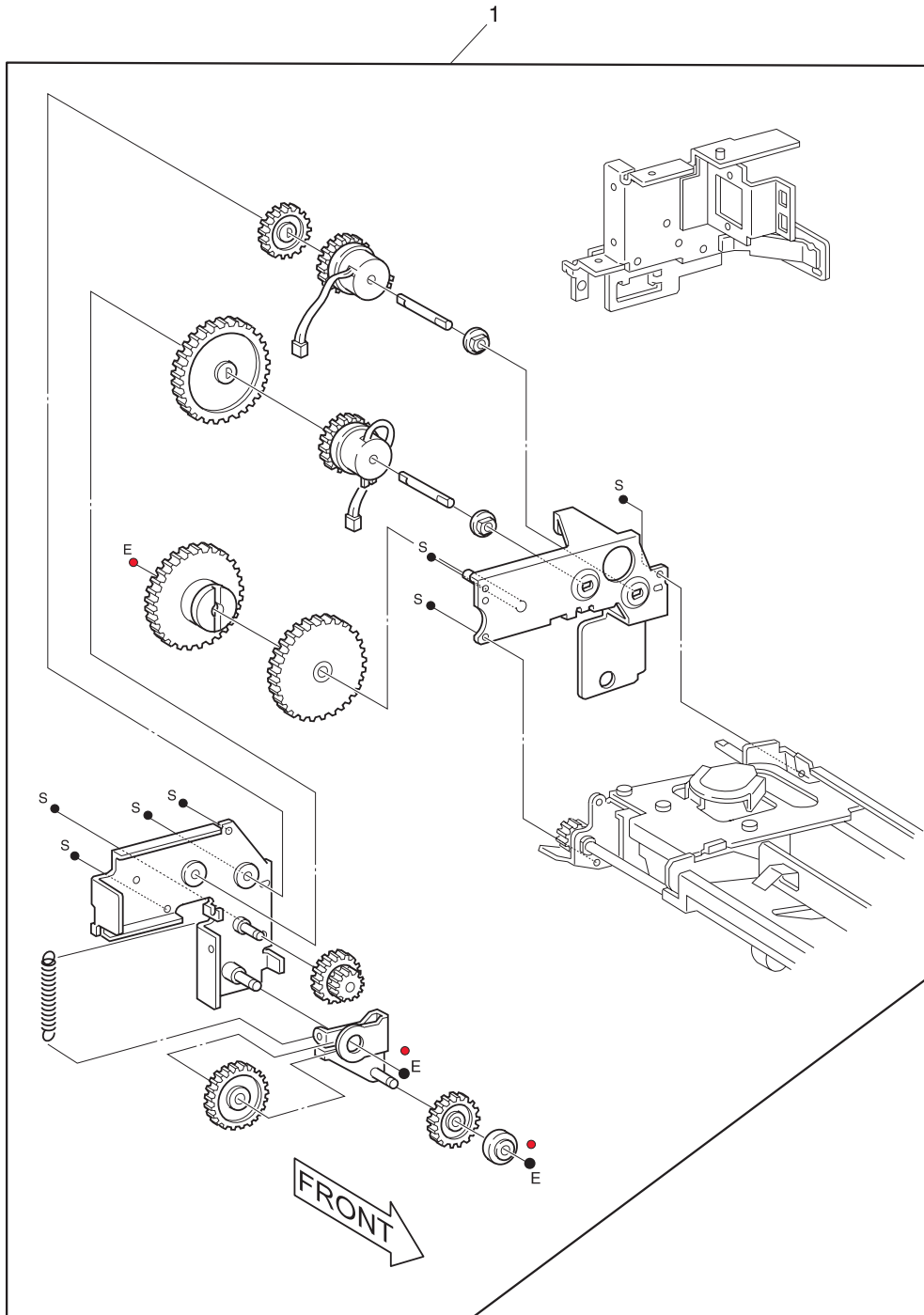
Assembly 18: Exit Lower Chute



Assembly 18: Exit Lower Chute

Asm-Index	Part Number	Units	Description
18-1	12G4072	1	TRANSPORT ASSEMBLY
-2	12G4074	1	MOTOR ASM, OFFSET
-3	12G4073	1	SOLENOID ASM, EXIT LOWER
-4	12G4076	1	SENSOR ASM, EXIT LOWER
-5	12G4075	1	SWITCH ASM, EXIT LOWER

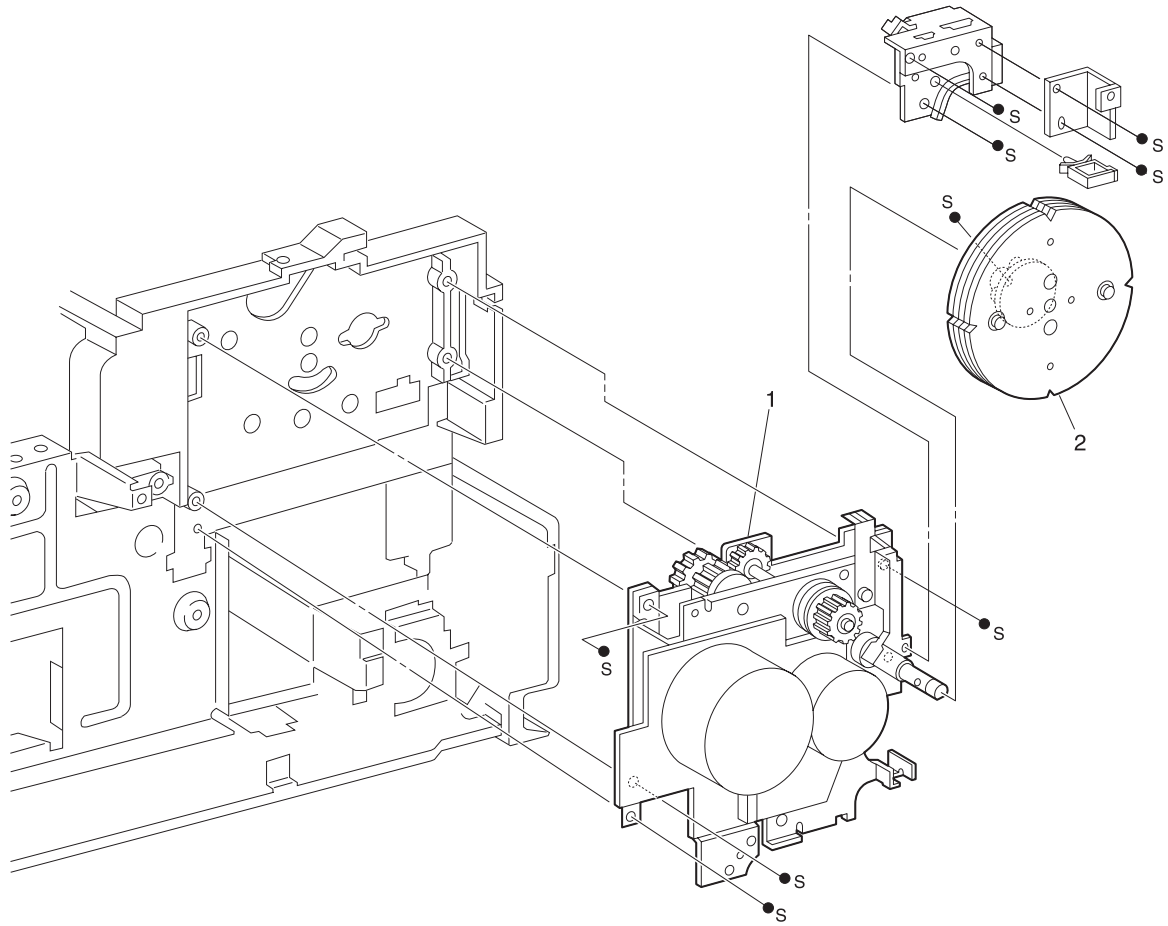
Assembly 19: Exit Drive Assembly



Assembly 19: Exit Drive Assembly

Asm-Index	Part Number	Units	Description
19-1	12G4077	1	DRIVE ASM, EXIT

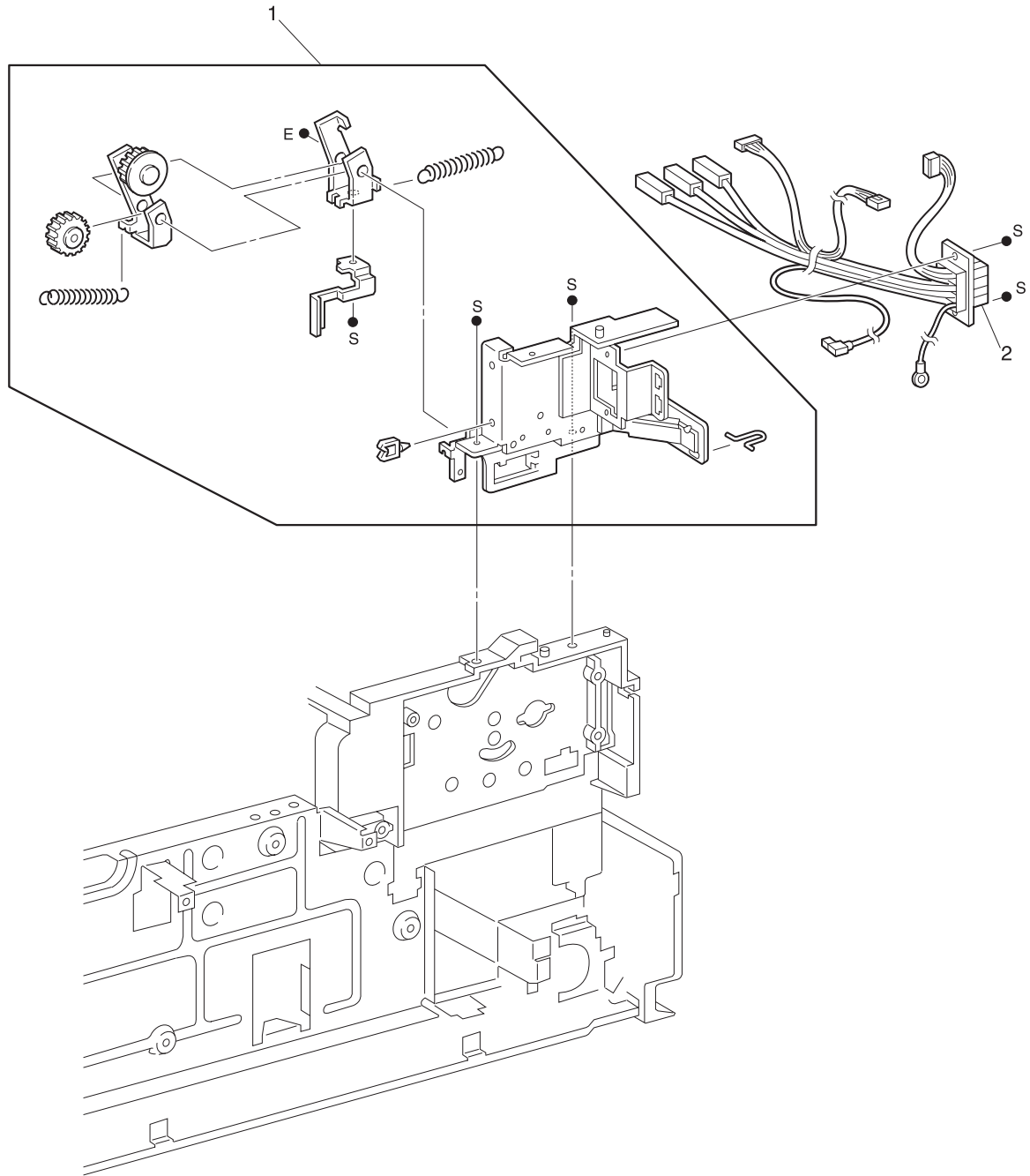
Assembly 20: Main Drive Assembly



Assembly 20: Main Drive Assembly

Asm-Index	Part Number	Units	Description
20-1	12G4078	1	DRIVE ASM, MAIN
-2	12G4079	1	FLYWHEEL, MAIN DRIVE ASM

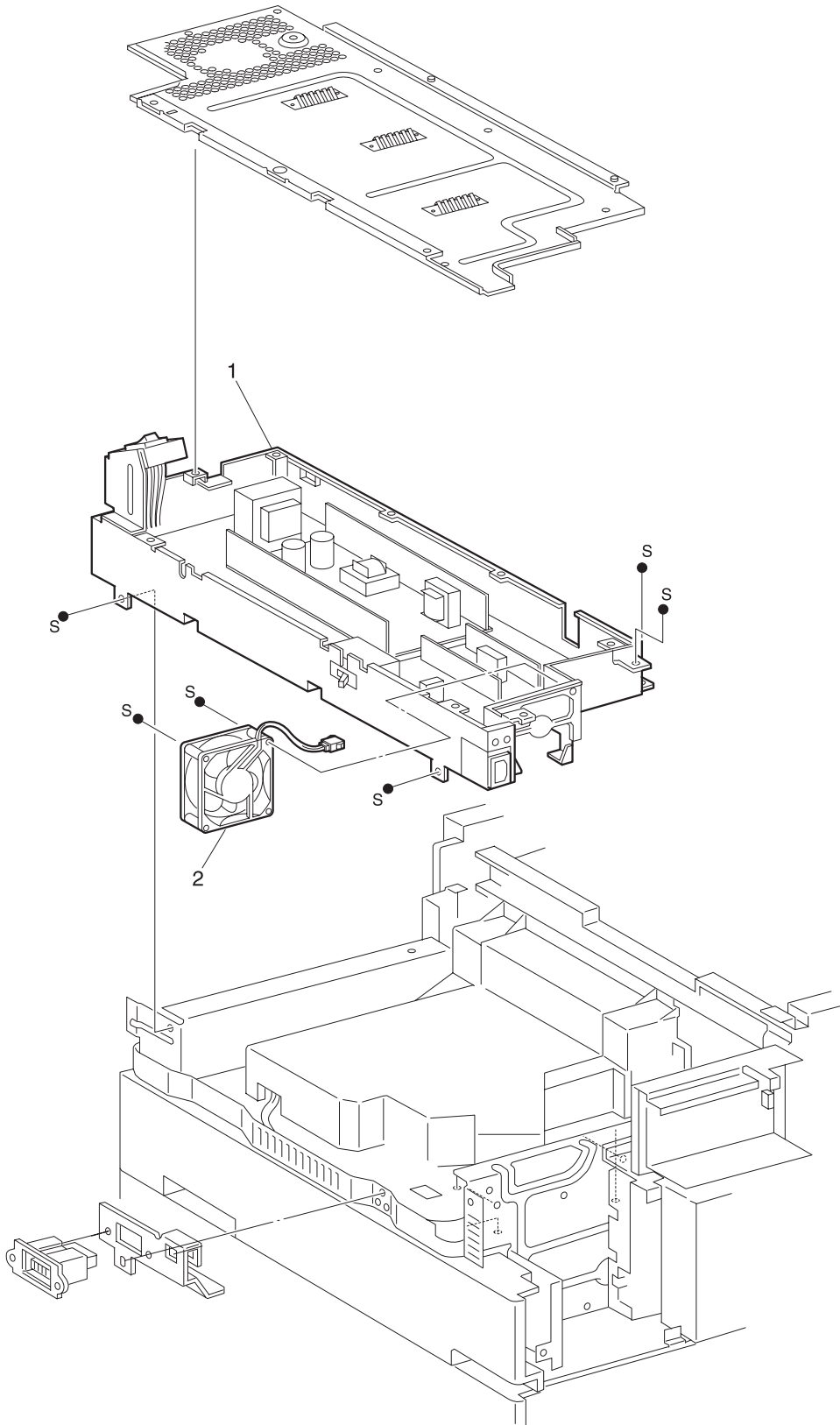
Assembly 21: Fuser Drive Assembly



Assembly 21: Fuser Drive Assembly

Asm-Index	Part Number	Units	Description
21-1	12G4080	1	FRAME ASM, FUSER EXIT
-2	12G4081	1	CONNECTOR, FUSER DRIVE

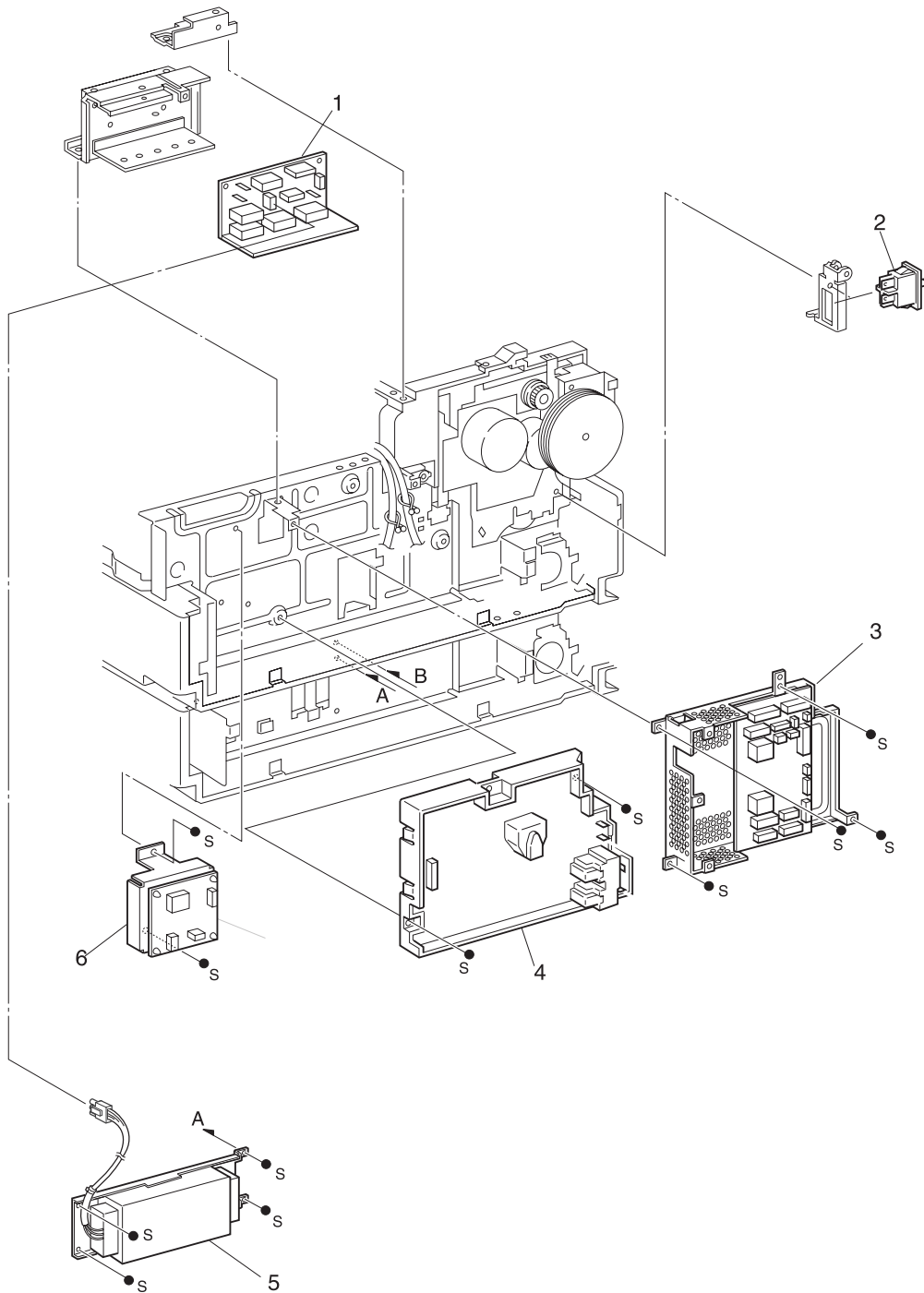
Assembly 22: Power Unit



Assembly 22: Power Unit

Asm-Index	Part Number	Units	Description
22-1	12G4082	1	PWR SUPPLY, 110V
-1	12G4083	1	PWR SUPPLY, 220V
-2	12G4084	1	FAN, POWER UNIT
NS	11A9095	1	POWER CORD LV, U.S., Canada, Australia/New Zealand, Columbia, Costa Rica, Dominican Republic, Ecuador, El Salvador, Guatemala, Honduras, Mexico, Nicaragua, Panama, Peru, Venezuela, Puerto Rico, US Virgin Islands, Caribbean countries other than Dominican Republic
NS	1339518	1	POWER CORD HV, Argentina
NS	1339517	1	POWER CORD HV, Peru, Bolivia
NS	1339524	1	POWER CORD HV, Chile
NS	1339528	1	POWER CORD HV, UK, Ireland, Gulf Countries
NS	1339529	1	POWER CORD HV, Austria, Germany, Belgium, Cyprus, Euro English, Finland, Greece, France, Hungary, Czech, Slovak, Netherlands, Norway, Portugal, Turkey, Russia, Poland, Spain, Catalan, Sweden,
NS	1339530	1	POWER CORD HV, Israel
NS	1339531	1	POWER CORD HV, Switzerland-French, Switzerland-German, Switzerland-Italian
NS	1339532	1	POWER CORD HV, Africa
NS	1339520	1	POWER CORD HV, Brazil
NS	1339533	1	POWER CORD HV, Italy
NS	1339534	1	POWER CORD HV, Denmark

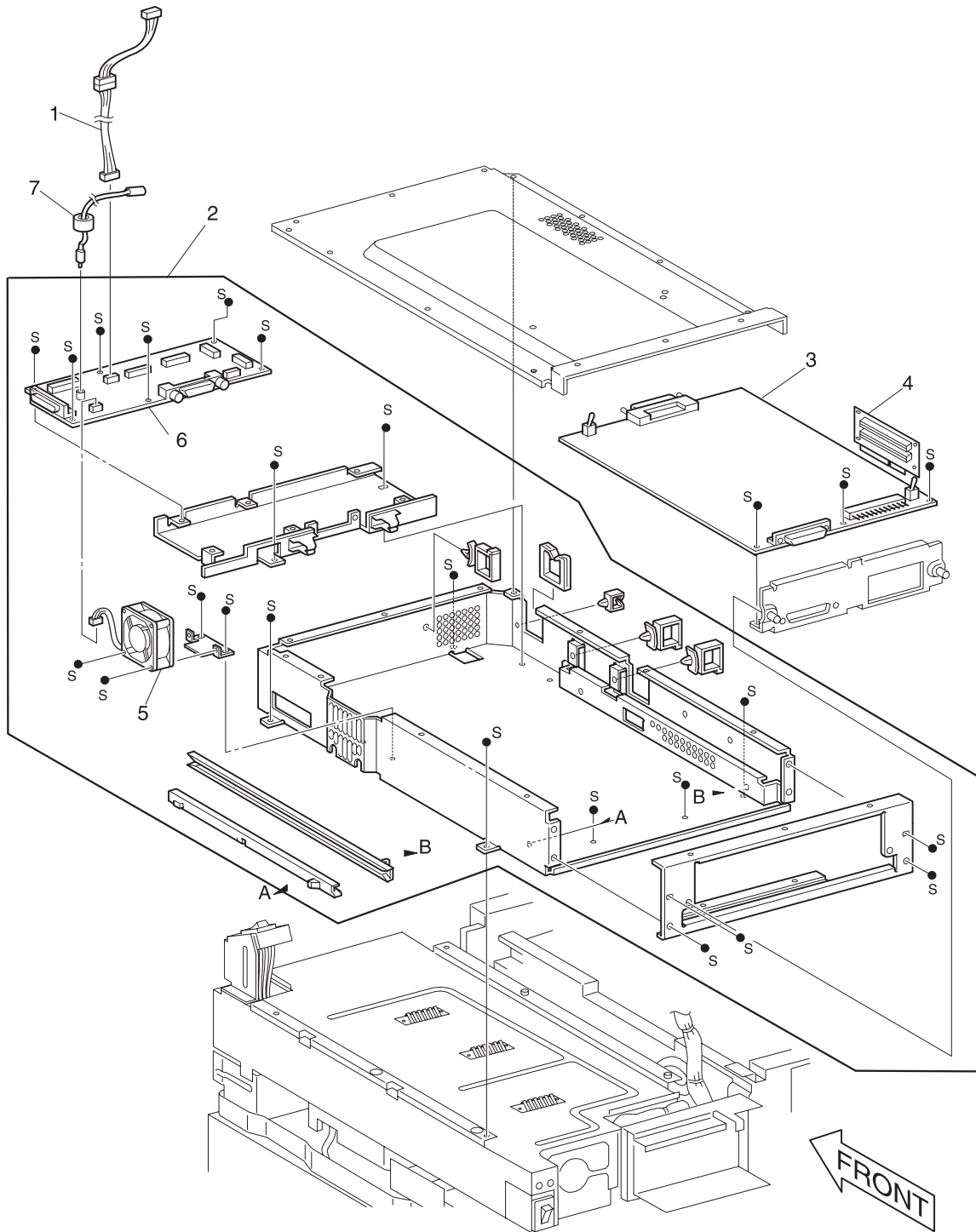
Assembly 23: HVPS and I/O PWB



Assembly 23: HVPS and I/O PWB

Asm-Index	Part Number	Units	Description
23-1	12G4085	1	CARD ASM, AC DRIVER, 110V
-1	12G4086	1	CARD ASM, AC DRIVER, 220V
-2	12G4089	1	SWITCH, INTERLOCK
-3	12G4088	1	CARD ASM, I/O
-4	12G4087	1	HVPS
-5	12G4090	1	TRANSFORMER, 220 V MACHINE ONLY
-6	12G4376	1	PSLV-R2 POWER SUPPLY

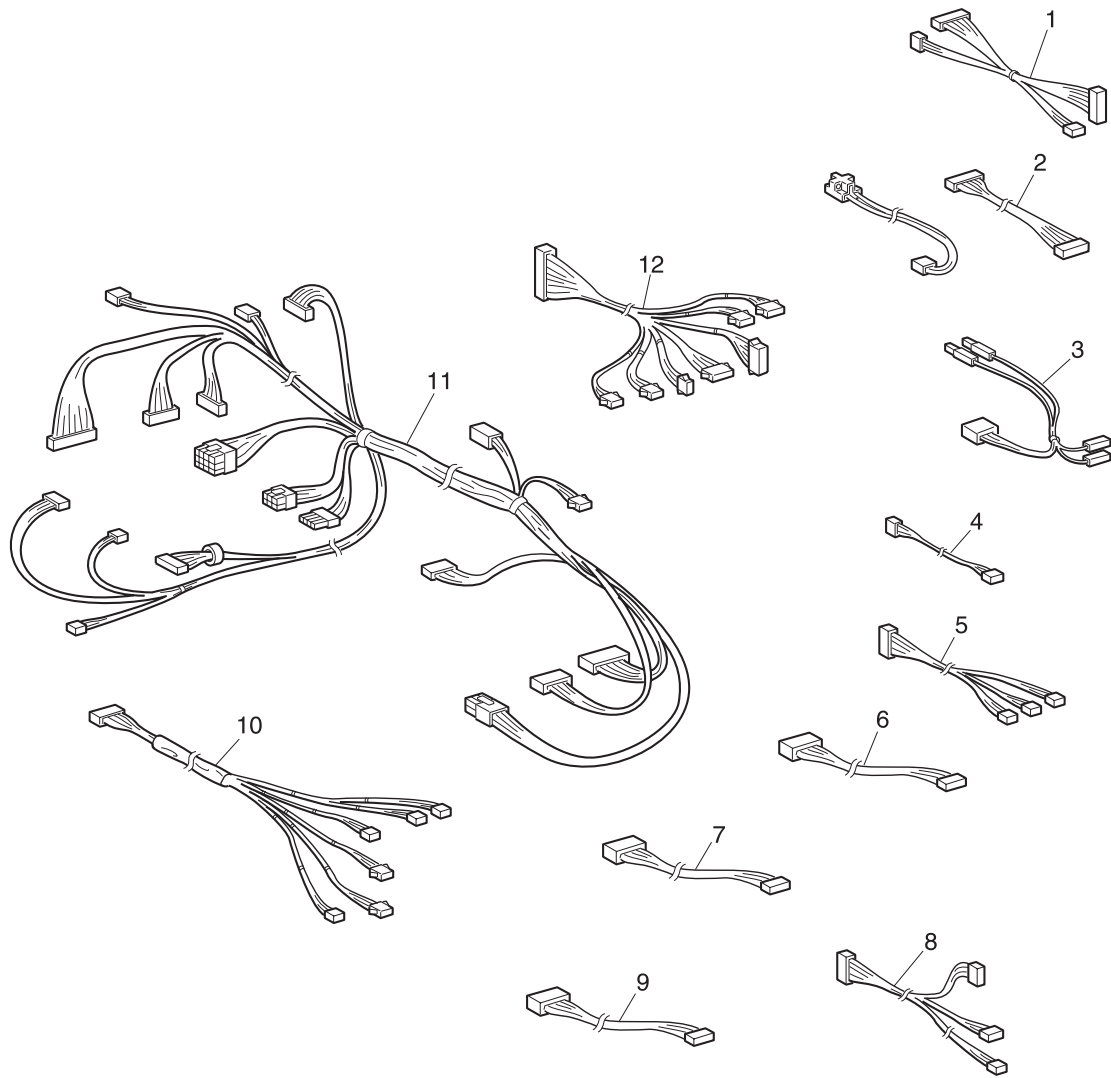
Assembly 24: ESS Assembly



Assembly 24: ESS Assembly

Asm-Index	Part Number	Units	Description
24-1	12G4096	1	CABLE ASM, OP PANEL
-2	12G4091	1	CONTROLLER, BOX ASSEMBLY Note: Factory defaults must be reset after you replace the engine board (MCU PWB) contained in this B/M. Go to "PRINTER SETUP" on page 3-5
-3	12G4093	1	BOARD ASM, CONTROLLER (ESS PWB), NETWORK
-3	12G4094	1	BOARD ASM CONTROLLER (ESS PWB), NON NETWORK
-4	12G4187	1	CARD ASM, RISER CARD
-5	12G4095	1	FAN, ESS COOLING
-6	12G4092	1	BOARD ASM, ENGINE (MCU PWB) 120V
-6	12G4379	1	BOARD ASM, ENGINE (MCU PWB) 220V
-7	12G4377	1	CABLE, PRINTHEAD

Assembly 25: Harness



Assembly 25: Harness

Asm-Index	Part Number	Units	Description
25-1	12G4108	1	CABLE ASM, HVPS
-2	12G4107	1	CABLE ASM, MOTOR
-3	12G4105	1	CABLE ASM, INTERLOCK
-4	12G4104	1	CABLE ASM, PAPER SIZE
-5	12G4103	1	CABLE ASM, REGISTRATION
-6	12G4102	1	CABLE ASM, OUTPUT
-7	12G4101	1	CABLE ASM, DUPLEX
-8	12G4100	1	CABLE ASM, BOTTOM
-9	12G4099	1	CABLE ASM, TRAY
-10	12G4098	1	CABLE ASM, TRAY 1 REAR
-11	12G4097	1	CABLE ASM, MAIN
-12	12G4106	1	CABLE ASM, DC REAR

Assembly 26: Miscellaneous

Asm-Index	Part Number	Units	Description
26	12G4375	1	SCREW PARTS PACK
26	12G4368	1	KIT CLAMP
26	12G4369	1	KIT E CLIP
26	12G4370	1	KIT REPACK, PRINTER
26	12G4371	1	KIT REPACK, ENVELOPE FEEDER
26	12G4372	1	KIT REPACK, DUPLEX UNIT
26	12G4373	1	KIT REPACK, HCF
26	12G4374	1	KIT REPACK, FINISHER
26	99A1752	1	4 MB MEMORY
26	99A1753	1	8 MB MEMORY
26	99A1754	1	16 MB MEMORY
26	99A1755	1	32 MB MEMORY
26	99A1756	1	64 MB MEMORY
26	99A1773	1	128 MB MEMORY
26	99A1757	1	2 MB MEMORY, FLASH MEMORY
26	99A1758	1	4 MB MEMORY, FLASH MEMORY
26	99A1759	1	8 MB MEMORY, FLASH MEMORY
26	99A1774	1	16 MB MEMORY, FLASH MEMORY
26	99A0459	1	3.2 GB ISP HARD DISK (install in top slot only)
26	12G1697	1	TOKEN-RING
26	12G1695	1	ETHERNET 10/100BASE-TX
26	12G1696	1	ETHERNET 10BASE-T/2
26	12G1830	1	TOKEN-RING - 3 PORT
26	12G1831	1	10/100 BASE TX - 3 PORT
26	12G1832	1	10 BASE T/2 - 1 PORT
26	12G1833	1	10/100 BASE TX - 1 PORT
26	99A0560	1	TRI-PORT ADAPTER

Assembly 26: Miscellaneous

Asm-Index	Part Number	Units	Description
26	99A0424	1	INFRARED ADAPTER
26	99A0467	1	PARALLEL 1284-C ADAPTER
26	99A0545	1	EXTERNAL SERIAL TO PARALLEL ADAPTER
26	99A0923	1	USB ADAPTER
26	99A0629	1	COAX/TWINAX ADAPTER FOR SCS
26	99A1683	1	OPTRA FORMS™ 2MB FLASH DIMM
26	99A1684	1	OPTRA FORMS™ 4MB FLASH DIMM
26	99A1685	1	OPTRA FORMS™ 8MB FLASH DIMM
26	99A1686	1	OPTRA FORMS™ 16MB FLASH DIMM
26	12G4380	1	IPDS & SCS/TNE
26	12G4382	1	IMAGEQUICK™