

# Parts Breakdown

## Lexmark X4500 Scanner

**4036-304**

Extracted From Service Manual



**LEXMARK**<sup>™</sup>

Passion for printing ideas.<sup>™</sup>

**Edition: December 2002**

**The following paragraph does not apply to any country where such provisions are inconsistent with local law:**  
LEXMARK INTERNATIONAL, INC. PROVIDES THIS PUBLICATION "AS IS" WITHOUT WARRANTY OF ANY KIND, EITHER EXPRESS OR IMPLIED, INCLUDING, BUT NOT LIMITED TO, THE IMPLIED WARRANTIES OF MERCHANTABILITY OR FITNESS FOR A PARTICULAR PURPOSE. Some states do not allow disclaimer of express or implied warranties in certain transactions; therefore, this statement may not apply to you.

This publication could include technical inaccuracies or typographical errors. Changes are periodically made to the information herein; these changes will be incorporated in later editions. Improvements or changes in the products or the programs described may be made at any time.

Comments may be addressed to Lexmark International, Inc., Department D22A/032-2, 740 West New Circle Road, Lexington, Kentucky 40550, U.S.A or e-mail at [ServiceInfoAndTraining@Lexmark.com](mailto:ServiceInfoAndTraining@Lexmark.com). Lexmark may use or distribute any of the information you supply in any way it believes appropriate without incurring any obligation to you. You can purchase additional copies of publications related to this product by calling 1-800-553-9727. In other countries, contact your point of purchase.

Lexmark and Lexmark with diamond design are trademarks of Lexmark International, Inc., registered in the United States and/or other countries.

Other trademarks are the property of their respective owners.

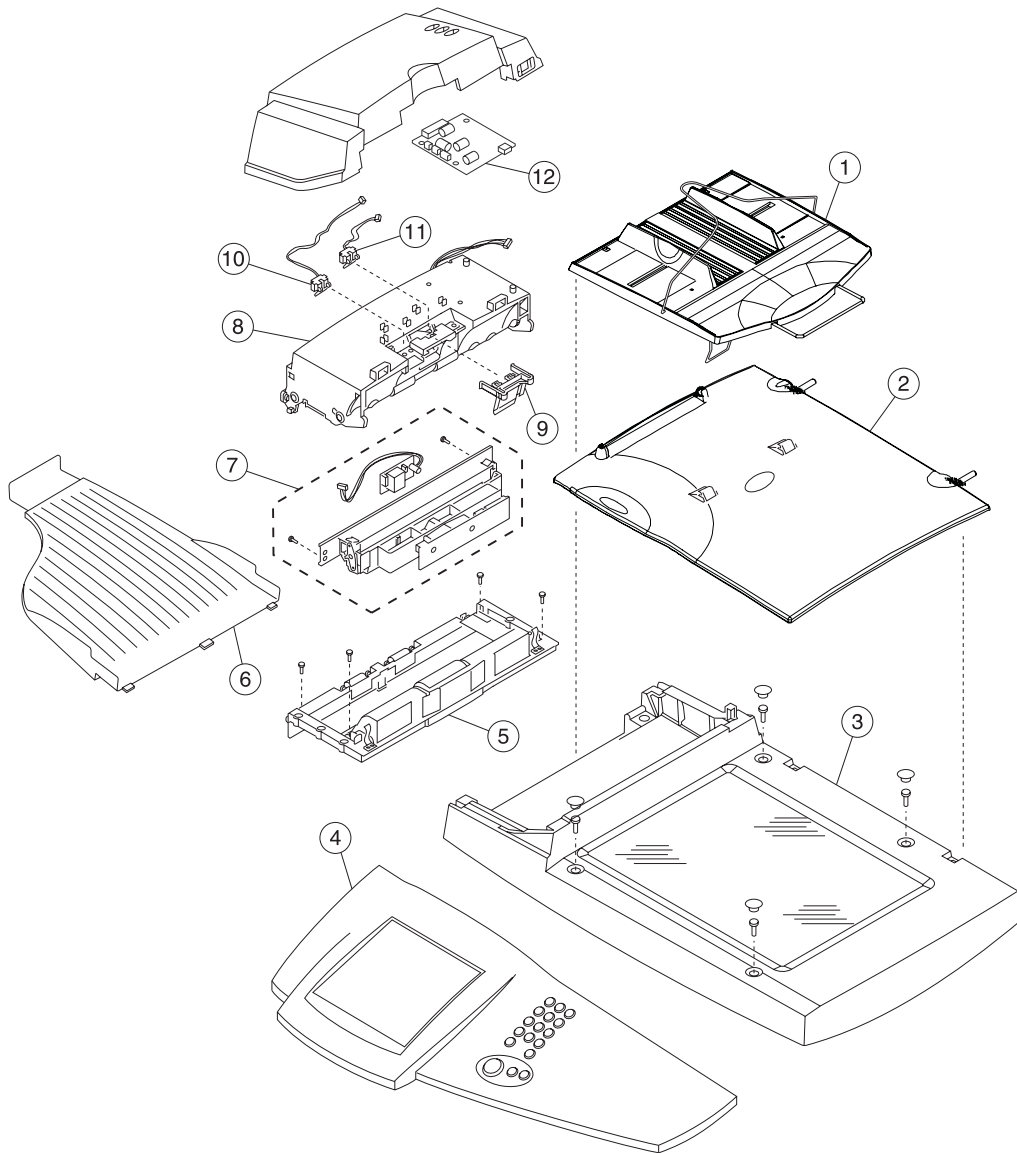
**© Copyright Lexmark International, Inc. 2002.**  
**All rights reserved.**

**UNITED STATES GOVERNMENT RESTRICTED RIGHTS**

This software and documentation are provided with RESTRICTED RIGHTS. Use, duplication or disclosure by the Government is subject to restrictions as set forth in subparagraph (c)(1)(ii) of the Rights in Technical Data and Computer Software clause at DFARS 252.227-7013 and in applicable FAR provisions: Lexmark International, Inc., Lexington, KY 40550. U.S.A.

## 5. Parts Catalog

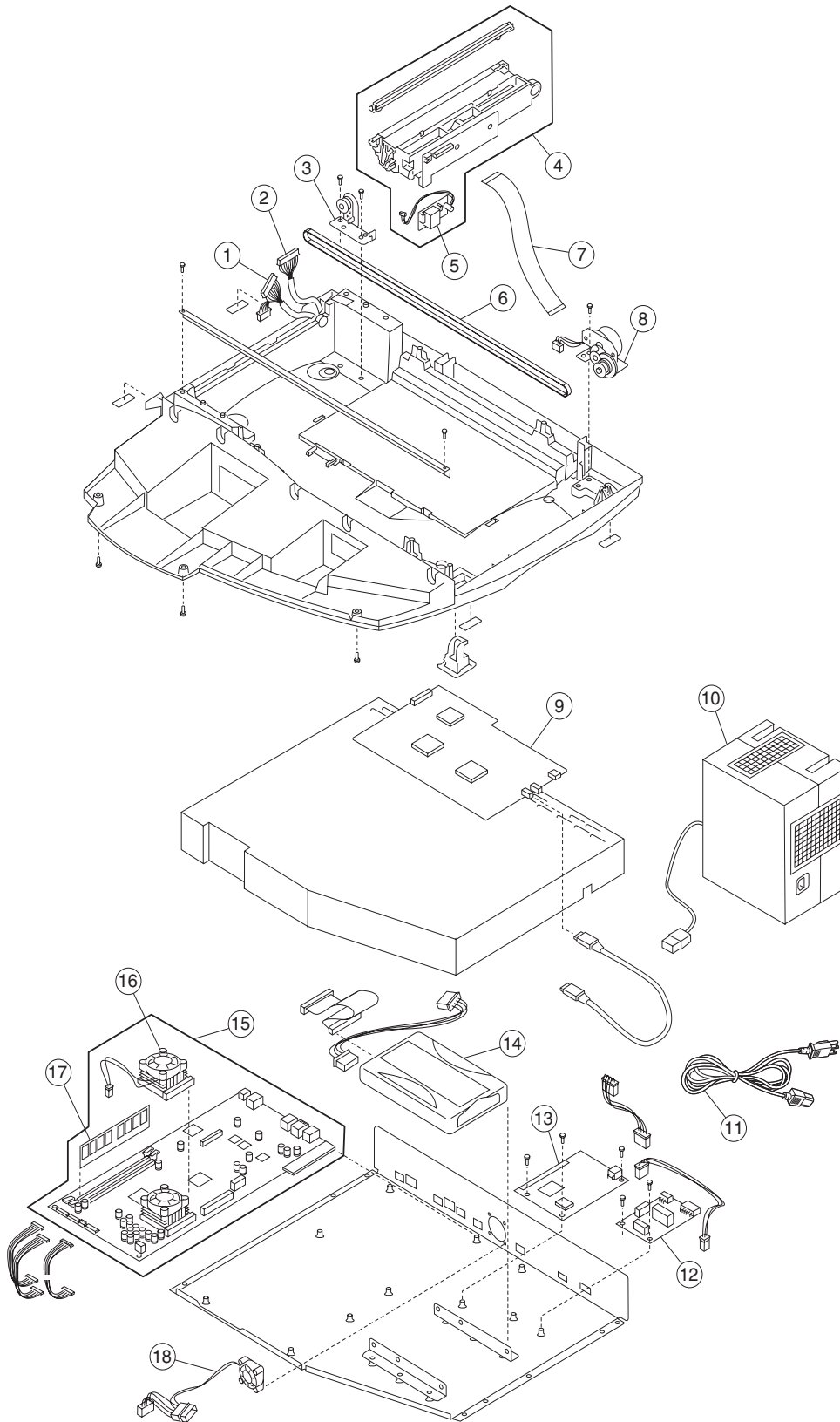
# Assembly 1: Upper Scanner



**Assembly 1: Upper Scanner**

<b>Asm-Index</b>	<b>Part Number</b>	<b>Units</b>	<b>Description</b>
1	56P0170	1	Tray, Document Input
2	56P0024	1	Cover, Scanner Document
3	56P0032	1	Cover, Upper with Glass
4	56P0020	1	User Interface, Complete
5	56P0030	1	Assembly, Lower ADF
6	56P0023	1	Tray, Document Output
7	56P0025	1	Assembly, ADF Optical Unit
8	56P0029	1	Assembly, Upper ADF
9	56P0079	1	Pad, Pick Roller
10	56P0028	1	Sensor, Paper Feed
11	56P0027	1	Sensor, Paper Present
12	56P0026	1	Board, ADF Motor/Sensor

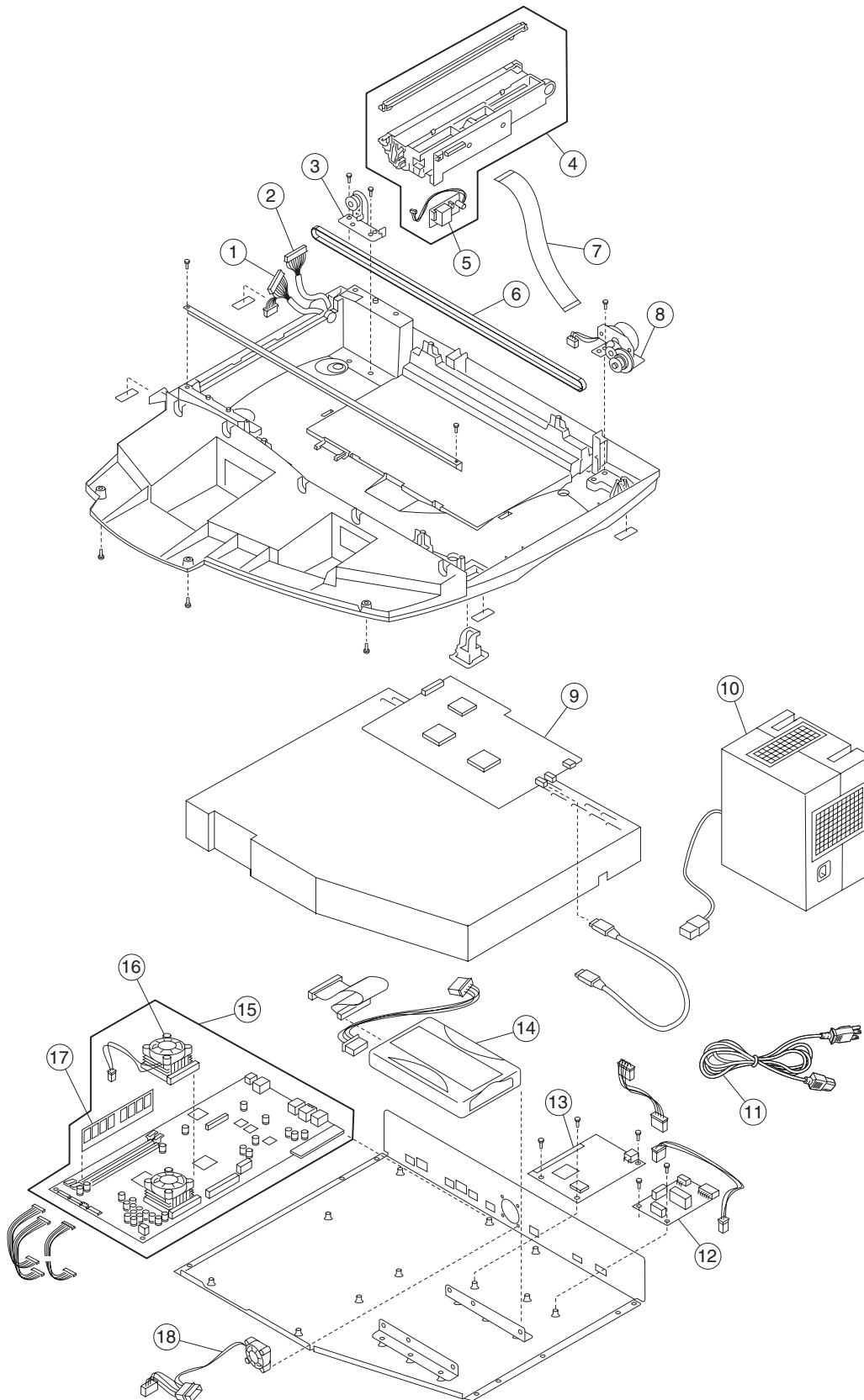
## Assembly 2: Lower Scanner



**Assembly 2: Lower Scanner**

Asm-Index	Part Number	Units	Description
1	56P0036	1	Cable, ADF CCD (6PIN + 14PIN)
2	56P0035	1	Cable, ADF Motor/Sensor (15PIN)
3	56P0033	1	Pulley Assembly, Carriage Belt
4	56P0031	1	Assembly, Flatbed CCD Optical Unit
5	56P0308	1	Card Assembly, Flatbed CCD Lamp Invertor
6	56P0037	1	Belt, Carriage
7	56P0042	1	Cable, Flatbed Optical Unit
8	56P0034	1	Motor Assembly, Carriage
9	56P0021	1	Board, Main Scanner Control
10	12G6918	1	Power Supply, Universal, External
11	11D0328	1	Line Cord, US, Canada, APG (LV), LAD (LV)
11	11D0329	1	Line Cord, Peru
11	11D0330	1	Line Cord, Argentina
11	11D0331	1	Line Cord, Brazil
11	11D0332	1	Line Cord, Chile
11	11D0333	1	Line Cord, Denmark
11	11D0334	1	Line Cord, France, Germany, Spain, Belgium, England, Europe
11	11D0335	1	Line Cord, Italy
11	11D0336	1	Switzerland
11	11D0337	1	Line Cord, UK, Ireland, Egypt
11	11D0338	1	Line Cord, Israel
11	11D0339	1	Line Cord, South Africa
11	99A0471	1	Line Cord, PRC
12	56P0192	1	Board, Power Distribution
13	56P0022	1	Board, 1394 Communications
14	56P0076	1	Drive Assembly, Hard Disk
15	56P0064	1	Board, Controller, WW non-Australia/New Zealand
15	56P0065	1	Board, Controller, Australia/New Zealand

### Assembly 2 (cont.): Lower Scanner





**Assembly 2 (cont.): Lower Scanner**

<b>Asm-Index</b>	<b>Part Number</b>	<b>Units</b>	<b>Description</b>
16	12G9063	1	Fan, CPU Cooling
17	56P9910	1	Card Assembly, 128MB DIMM
18	56P1808	1	Fan, Controller Cage Cooling
NS	56P0558	1	Cable, RJ11 with Toriod
NS	56P0559	1	Cable, RJ45 with Toriod