

# Parts Breakdown

## Lexmark X63

### 4400-001

Extracted From Service Manual



**LEXMARK**  
Passion for printing ideas.™

**4400-001**

**Edition: September, 2001**

**The following paragraph does not apply to any country where such provisions are inconsistent with local law:** LEXMARK INTERNATIONAL, INC. PROVIDES THIS PUBLICATION "AS IS" WITHOUT WARRANTY OF ANY KIND, EITHER EXPRESS OR IMPLIED, INCLUDING, BUT NOT LIMITED TO, THE IMPLIED WARRANTIES OF MERCHANTABILITY OR FITNESS FOR A PARTICULAR PURPOSE. Some states do not allow disclaimer of express or implied warranties in certain transactions; therefore, this statement may not apply to you.

This publication could include technical inaccuracies or typographical errors. Changes are periodically made to the information herein; these changes will be incorporated in later editions. Improvements or changes in the products or the programs described may be made at any time.

Comments may be addressed to Lexmark International, Inc., Department D22A/032-2, 740 West New Circle Road, Lexington, Kentucky 40550, U.S.A or e-mail at ServiceInfoAndTraining@Lexmark.com. Lexmark may use or distribute any of the information you supply in any way it believes appropriate without incurring any obligation to you. You can purchase additional copies of publications related to this product by calling 1-800-553-9727. In other countries, contact your point of purchase.

Lexmark and Lexmark with diamond design are trademarks of Lexmark International, Inc., registered in the United States and/or other countries.

Other trademarks are the property of their respective owners.

**© Copyright Lexmark International, Inc. 2001.**

**All rights reserved.**

**UNITED STATES GOVERNMENT RESTRICTED RIGHTS**

This software and documentation are provided with RESTRICTED RIGHTS. Use, duplication or disclosure by the Government is subject to restrictions as set forth in subparagraph (c)(1)(ii) of the Rights in Technical Data and Computer Software clause at DFARS 252.227-7013 and in applicable FAR provisions: Lexmark International, Inc., Lexington, KY 40550.

**P/N 12G9074**

---

## 7. Parts Catalog

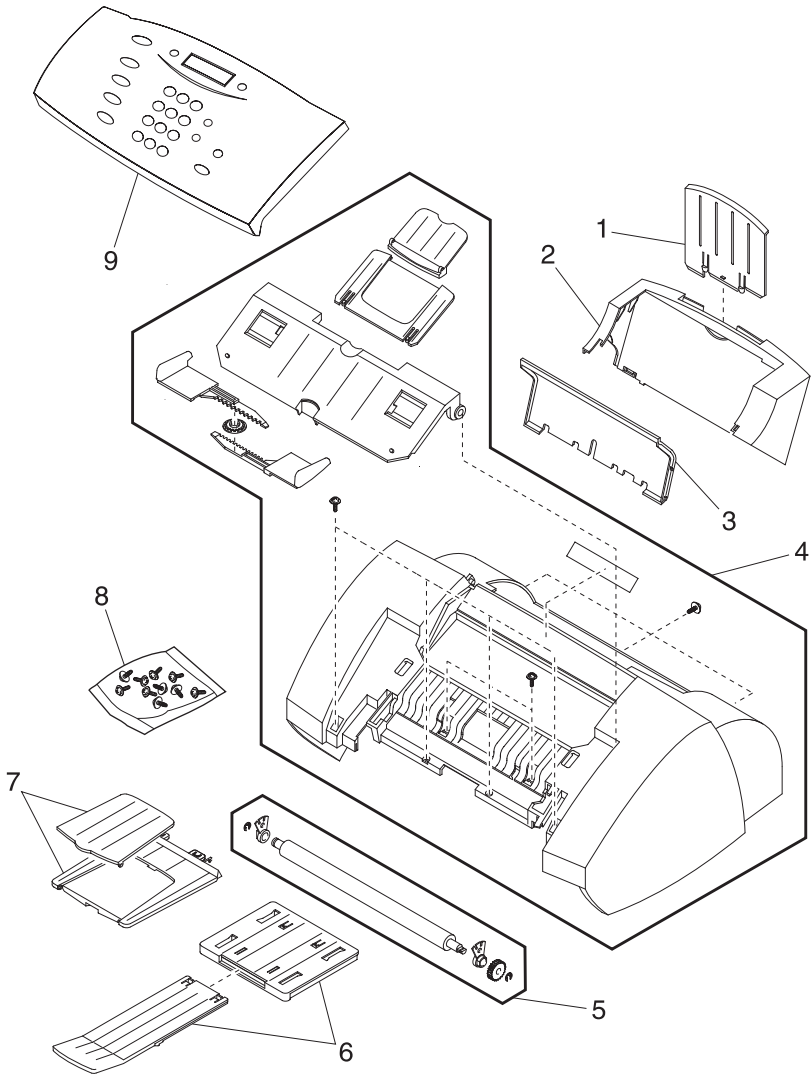
---

### How to Use This Parts Catalog

---

- **SIMILAR ASSEMBLIES:** If two assemblies contain a majority of identical parts, they are shown on the same list. Common parts are shown by one index number. Parts peculiar to one or the other of the assemblies are listed separately and identified by description.
- **NS:** (Not Shown) in the Asm-Index column indicates that the part is procurable but is not pictured in the illustration.
- **PP:** in the parts description column indicates the part is available in the listed parts packet.
- **NA:** Not available as a FRU

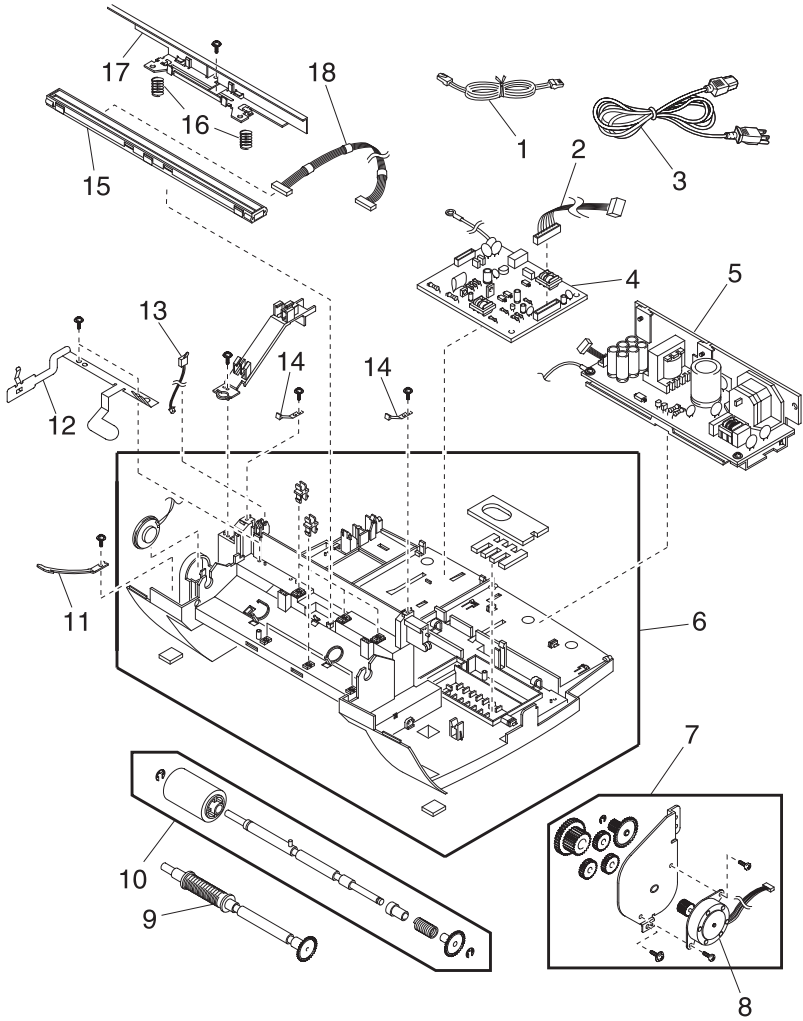
# Assembly 1: Main Assembly



**Assembly 1: Main Assembly**

<b>Asm-Index</b>	<b>Part Number</b>	<b>Units</b>	<b>Description</b>
1	12G6933	1	Support, Paper Extension
2	12G6932	1	Guide, Paper
3	12G6931	1	Deflector, Paper
4	12G6935	1	Cover, Top Assembly
5	12G6934	1	CIS White Roller Assembly
6	12G6936	1	Tray, Paper Exit Assembly
7	12G6937	1	Tray, Scan Exit Assembly
8	12G6938	1	Screw Parts Packet
9	12G6939	1	Panel, Operator Assembly
N/S	12G6973	1	Carrier Sheet

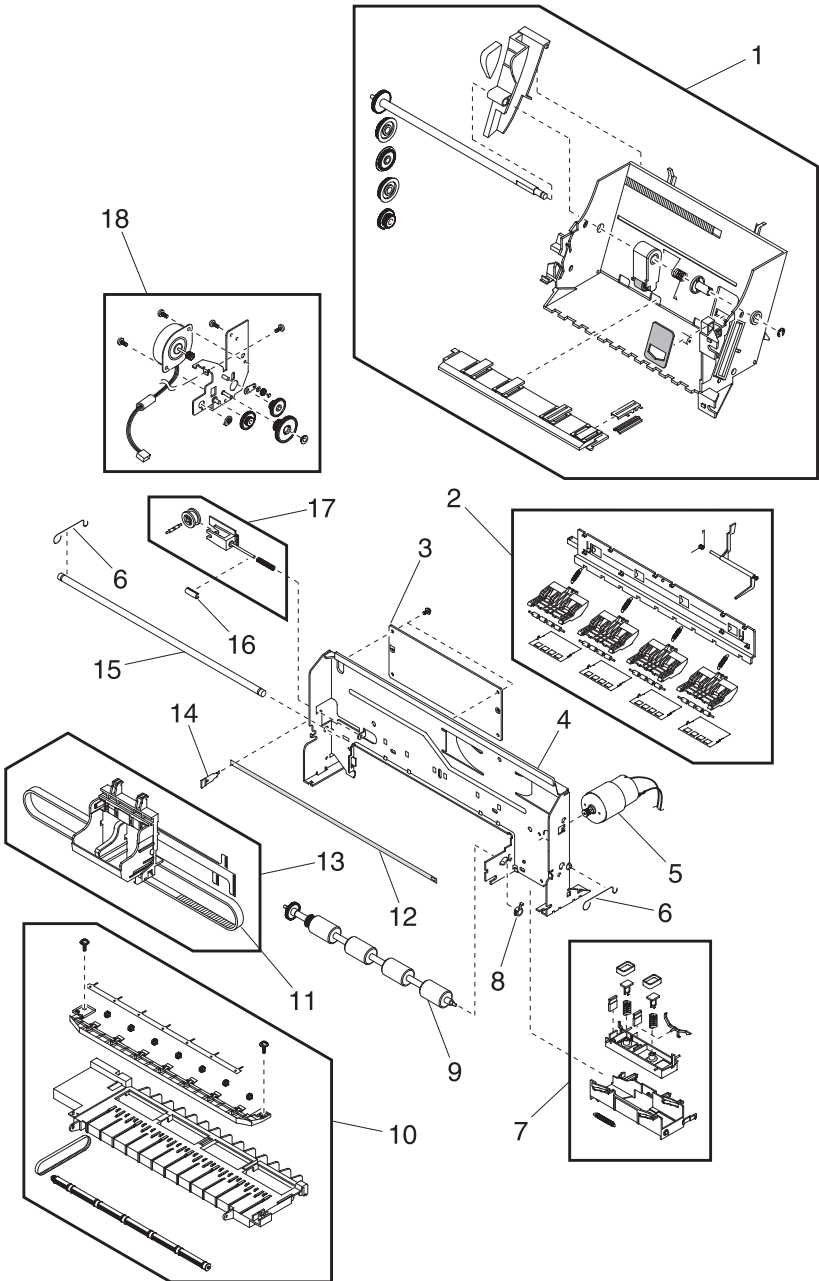
# Assembly 2: Base Unit



**Assembly 2: Base Unit**

<b>Asm-Index</b>	<b>Part Number</b>	<b>Units</b>	<b>Description</b>
1	12G6972	1	Phone Line Cord
2	12G6954	1	Cable, Line Interface Board
3	12G6971	1	Power Line Cord
4	12G6951	1	Board, Line Interface
5	12G6952	1	Power Supply
6	12G6940	1	Base Assembly
7	12G6946	1	Motor, Scanner with Gear Assembly
8	12G6947	1	Motor, Carrier Assembly
9	12G6948	1	Shaft, Exit
10	12G6941	1	Drive Feed Roller Assembly
11	12G6949	1	Strap, Operator Panel Door
12	12G6950	1	Spring, Ground
13	12G6979	1	Sensor, Access Door
14	12G6953	1	Latch, Operator Panel Door
15	12G6942	1	Contact, Image Sensor (CIS)
16	12G6944	1	Spring, CIS
17	12G6945	1	IPR-Bracket CIS
18	12G6943	1	Cable. CIS

# Assembly 3: Engine





**Assembly 3: Engine**

<b>Asm-Index</b>	<b>Part Number</b>	<b>Units</b>	<b>Description</b>
3-1	12G6955	1	ASF Assembly
2	12G6961	1	Small Feed Roller Assembly with EOF and Springs
3	12G6970	1	System Board
4	12G6969	1	Main Frame Assembly with Encoder Clip
5	12G6959	1	Motor, Carrier Transport
6	12G6965	1	Spring, Carrier Shaft Retainer
7	12G6956	1	Maintenance Station Assembly
8	12G6966	1	Bearing, Feed Roller
9	12G6962	1	Feed Roller, Large with Gear
10	12G6964	1	Frame, Mid Assembly with Exit Rollers
11	12G6980	1	Carrier Belt
12	12G6968	1	Strip, Encoder
13	12G6960	1	Carrier Assembly with Belt
14	12G6969	1	Main Frame Assembly with encoder clip
15	12G6967	1	Shaft, Carrier
16	12G6958	1	Stopper Pulley
17	12G6957	1	Pulley, Idle Assembly
18	12G6963	1	Motor, Paper Feed Assembly with Gears