

# Parts Breakdown

## Lexmark X73 Scan Print Copy

4402-001

Extracted From Service Manual



**LEXMARK**  
Passion for printing ideas.™

**4402-001**

**Edition: September 2002**

**The following paragraph does not apply to any country where such provisions are inconsistent with local law:** LEXMARK INTERNATIONAL, INC. PROVIDES THIS PUBLICATION "AS IS" WITHOUT WARRANTY OF ANY KIND, EITHER EXPRESS OR IMPLIED, INCLUDING, BUT NOT LIMITED TO, THE IMPLIED WARRANTIES OF MERCHANTABILITY OR FITNESS FOR A PARTICULAR PURPOSE. Some states do not allow disclaimer of express or implied warranties in certain transactions; therefore, this statement may not apply to you.

This publication could include technical inaccuracies or typographical errors. Changes are periodically made to the information herein; these changes will be incorporated in later editions. Improvements or changes in the products or the programs described may be made at any time.

Comments may be addressed to Lexmark International, Inc., Department D22A/032-2, 740 West New Circle Road, Lexington, Kentucky 40550, U.S.A or e-mail at ServiceInfoAndTraining@Lexmark.com. Lexmark may use or distribute any of the information you supply in any way it believes appropriate without incurring any obligation to you. You can purchase additional copies of publications related to this product by calling 1-800-553-9727. In other countries, contact your point of purchase.

Lexmark is a trademark of Lexmark International, Inc., registered in the United States and/or other countries.

Other trademarks are the property of their respective owners.

**© Copyright Lexmark International, Inc. 2001, 2002.**

**All rights reserved.**

**UNITED STATES GOVERNMENT RESTRICTED RIGHTS**

This software and documentation are provided with RESTRICTED RIGHTS. Use, duplication or disclosure by the Government is subject to restrictions as set forth in subparagraph (c)(1)(ii) of the Rights in Technical Data and Computer Software clause at DFARS 252.227-7013 and in applicable FAR provisions: Lexmark International, Inc., Lexington, KY 40550.

**U.S.A. P/N: 12G3798**

---

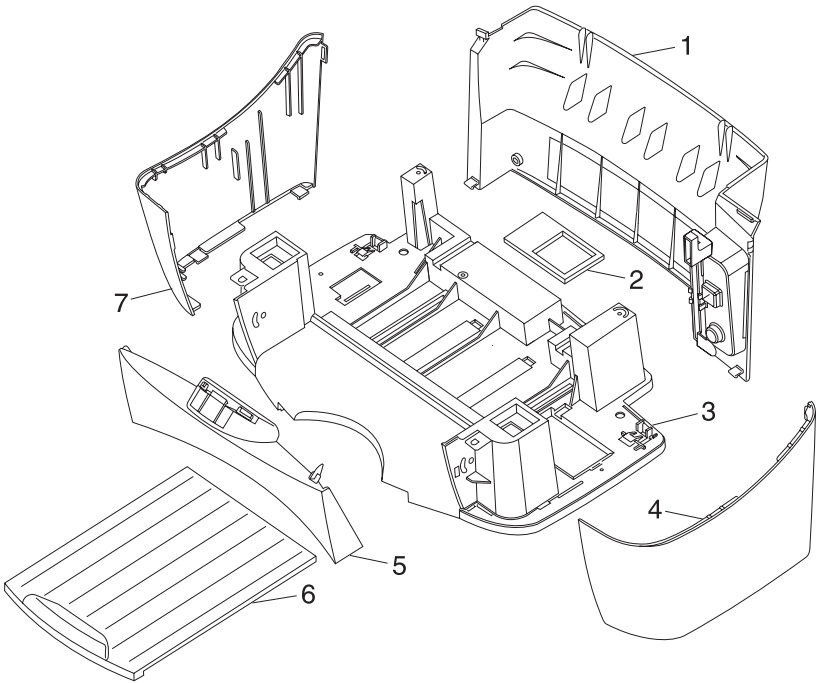
## 7. Parts Catalog

---

### How to Use This Parts Catalog

- **SIMILAR ASSEMBLIES:** If two assemblies contain a majority of identical parts, they are shown on the same list. Common parts are shown by one index number. Parts peculiar to one or the other of the assemblies are listed separately and identified by description.
- **NS:** (Not Shown) in the Asm-Index column indicates that the part is procurable but is not pictured in the illustration.
- **PP:** in the parts description column indicates the part is available in the listed parts packet.
- **NA:** Not available as a FRU.

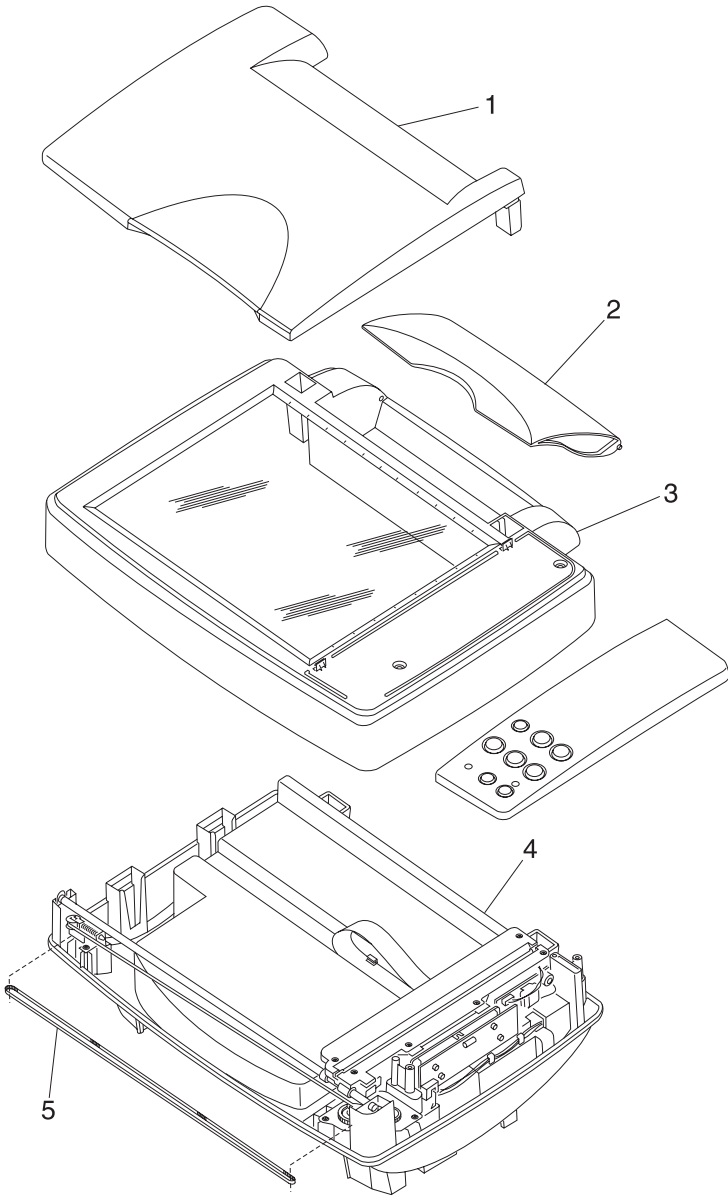
# Assembly 1: Covers



**Assembly 1: Covers**

<b>Asm-Index</b>	<b>Part Number</b>	<b>Units</b>	<b>Description</b>
1-1	12G6141	1	Cover Assembly, Rear
-2	12G6140	1	Felt Pad Assembly
-3	12G6138	1	Base Assembly
-4	12G6135	1	Cover, Right
-5	12G6133	1	Cover, Access with Latch
-6	12G6175	1	Paper Exit Tray
-7	12G6134	1	Cover, Left
NS	12G6156	4	Screws (PP)
NS	7366857	1	Plain package B/M includes: Carton, Cushion Set, Sealing Tape

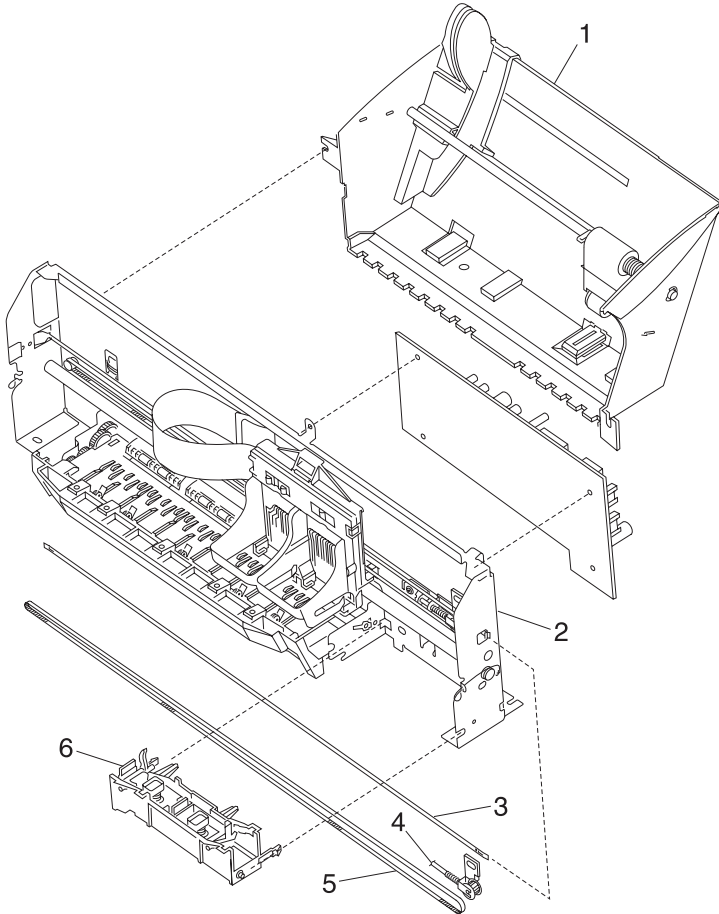
## Assembly 1 (cont.): Covers



**Assembly 1 (cont.): Covers****Assembly 1: Covers**

<b>Asm-Index</b>	<b>Part Number</b>	<b>Units</b>	<b>Description</b>
1-1	12G6171	1	Scanner Lid Assembly
-2	12G6174	1	Paper Support ASF
-3	12G6126	1	Top Housing Assembly
-4	12G6122	1	Middle Frame Assembly
-5	12G6150	1	Belt, Scanner

# Assembly 2: Paper Feed, Frame and Carrier Transport

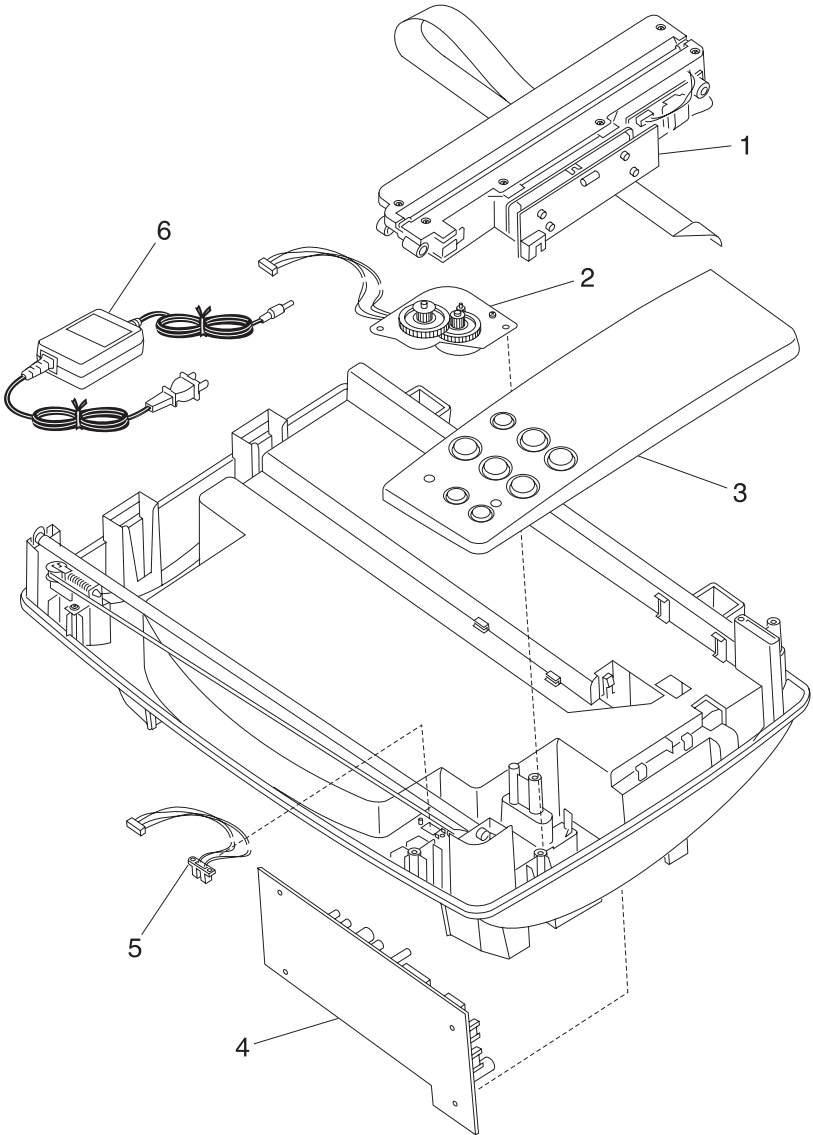




**Assembly 2: Paper Feed, Frame and Carrier Transport**

<b>Asm-Index</b>	<b>Part Number</b>	<b>Units</b>	<b>Description</b>
2-1	12G6121	1	ASF Module
-2	12G6120	1	Printing Engine
-3	12G6151	1	Encoder Strip with Clip
-4	12G6123	1	Idler Pulley Assembly
-5	12G6149	1	Belt, Carrier
-6	12G6154	1	Maintenance Station Assembly
NS	12G6153	1	EOF Flag with Spring

# Assembly 3: Electronics



**Assembly 3: Electronics**

3-1	12G6177	1	CCD Module Assembly with Cable
NS	12G6176	1	CCD Cable
-2	12G6125	1	Gear Train Assembly
-3	12G6172	1	Operator Panel Assembly
NS	12G6173	1	Operator Panel Overlays
-4	12G6170	1	Board, System
-5	12G6137	1	Sensor, Access Cover
-6	12G6128	1	Power Supply (LV) 100-127
NS	12G6157	1	Power Supply (HV) 220-240
NS	12G6158	1	Power Supply – Japan 100V