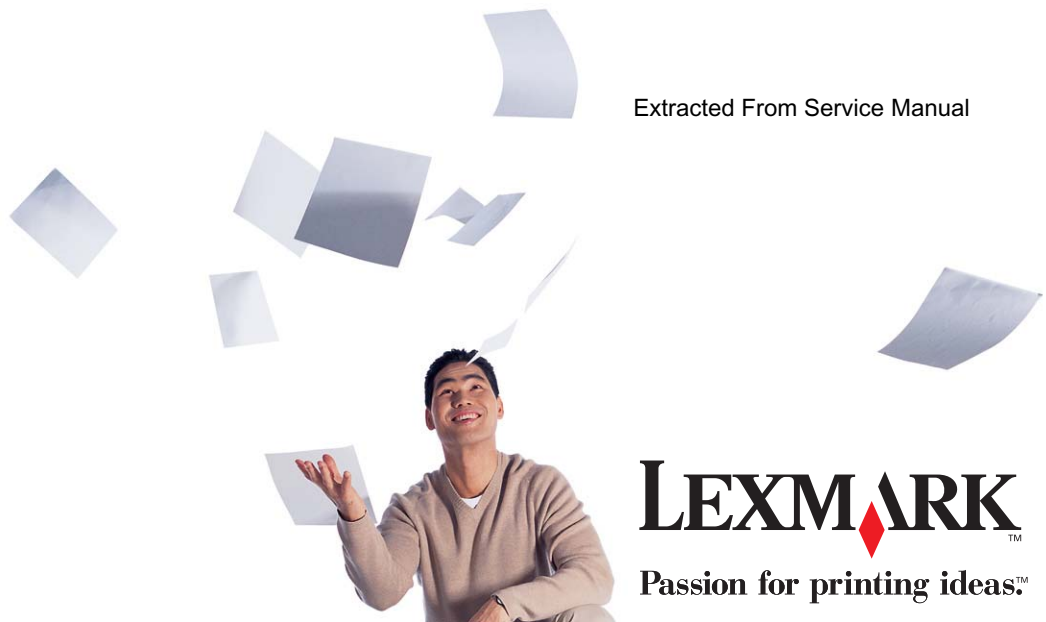


Parts Breakdown

Lexmark X7500

4036-501

Extracted From Service Manual



LEXMARKTM

Passion for printing ideas.TM

Edition: October 2001

The following paragraph does not apply to any country where such provisions are inconsistent with local law:
LEXMARK INTERNATIONAL, INC. PROVIDES THIS PUBLICATION "AS IS" WITHOUT WARRANTY OF ANY KIND, EITHER EXPRESS OR IMPLIED, INCLUDING, BUT NOT LIMITED TO, THE IMPLIED WARRANTIES OF MERCHANTABILITY OR FITNESS FOR A PARTICULAR PURPOSE. Some states do not allow disclaimer of express or implied warranties in certain transactions; therefore, this statement may not apply to you.

This publication could include technical inaccuracies or typographical errors. Changes are periodically made to the information herein; these changes will be incorporated in later editions. Improvements or changes in the products or the programs described may be made at any time.

Comments may be addressed to Lexmark International, Inc., Department D22A/032-2, 740 West New Circle Road, Lexington, Kentucky 40550, U.S.A or e-mail at ServiceInfoAndTraining@Lexmark.com. Lexmark may use or distribute any of the information you supply in any way it believes appropriate without incurring any obligation to you. You can purchase additional copies of publications related to this product by calling 1-800-553-9727. In other countries, contact your point of purchase.

Lexmark and Lexmark with diamond design are trademarks of Lexmark International, Inc., registered in the United States and/or other countries.

Other trademarks are the property of their respective owners.

**© Copyright Lexmark International, Inc. 2001.
All rights reserved.**

UNITED STATES GOVERNMENT RESTRICTED RIGHTS

This software and documentation are provided with RESTRICTED RIGHTS. Use, duplication or disclosure by the Government is subject to restrictions as set forth in subparagraph (c)(1)(ii) of the Rights in Technical Data and Computer Software clause at DFARS 252.227-7013 and in applicable FAR provisions: Lexmark International, Inc., Lexington, KY 40550. U.S.A.

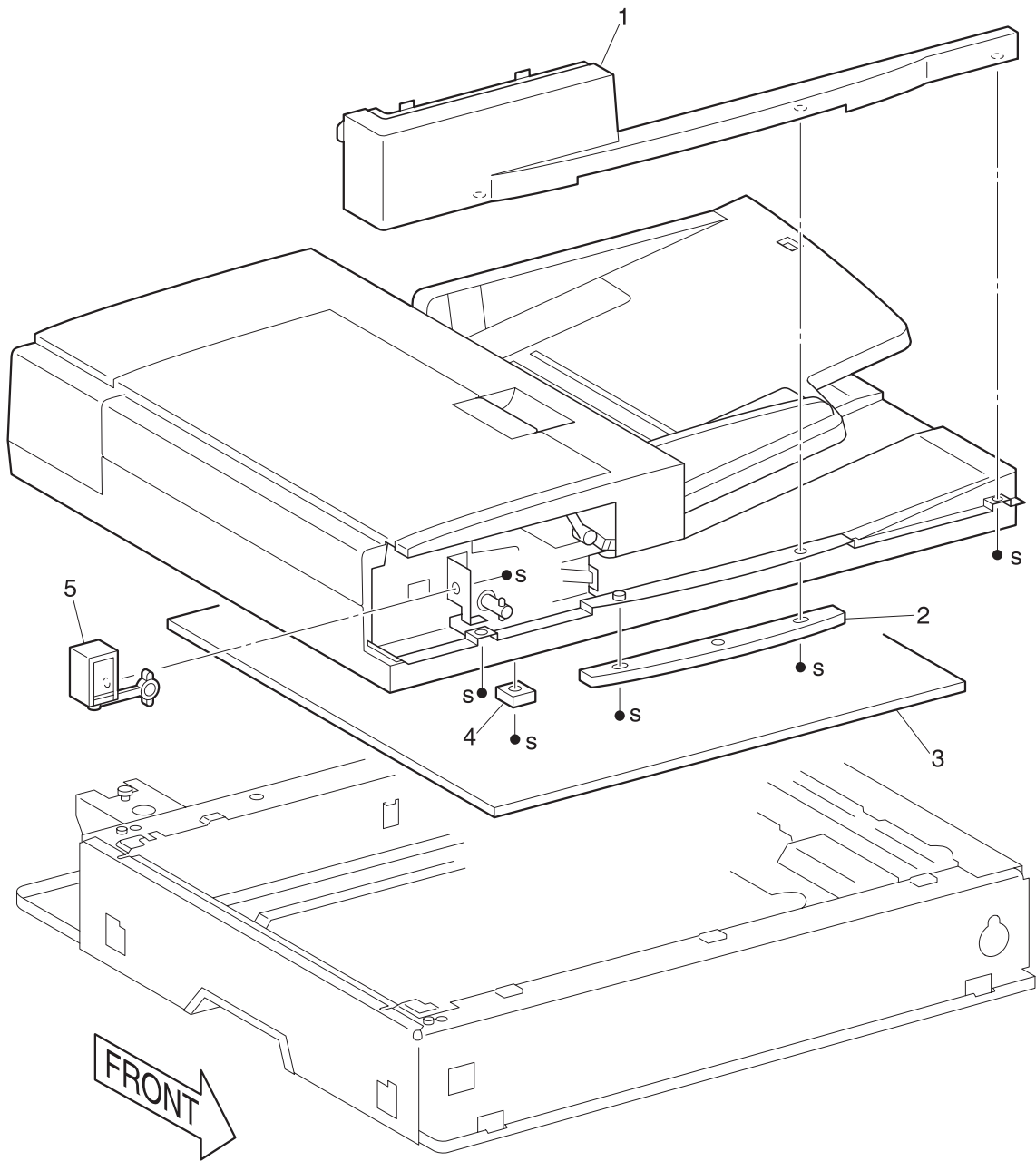
7. Parts Catalog

How to Use This Parts Catalog

- **SIMILAR ASSEMBLIES:** If two assemblies contain a majority of identical parts, they are shown on the same list. Parts peculiar to one or the other of the assemblies are listed separately and identified by description.
- **NS:** (Not Shown) indicates that the part is procurable but is not shown in the illustration.
- The capital letters “E”, “KL”, and “S” shown in an illustration stand for E-ring, KL Clip, and Screw.

Note: To obtain any of these parts not included in a FRU assembly, refer to the Lexmark W820 printer parts catalog for a screw parts pack, clamp kit pack or E clip kit pack.

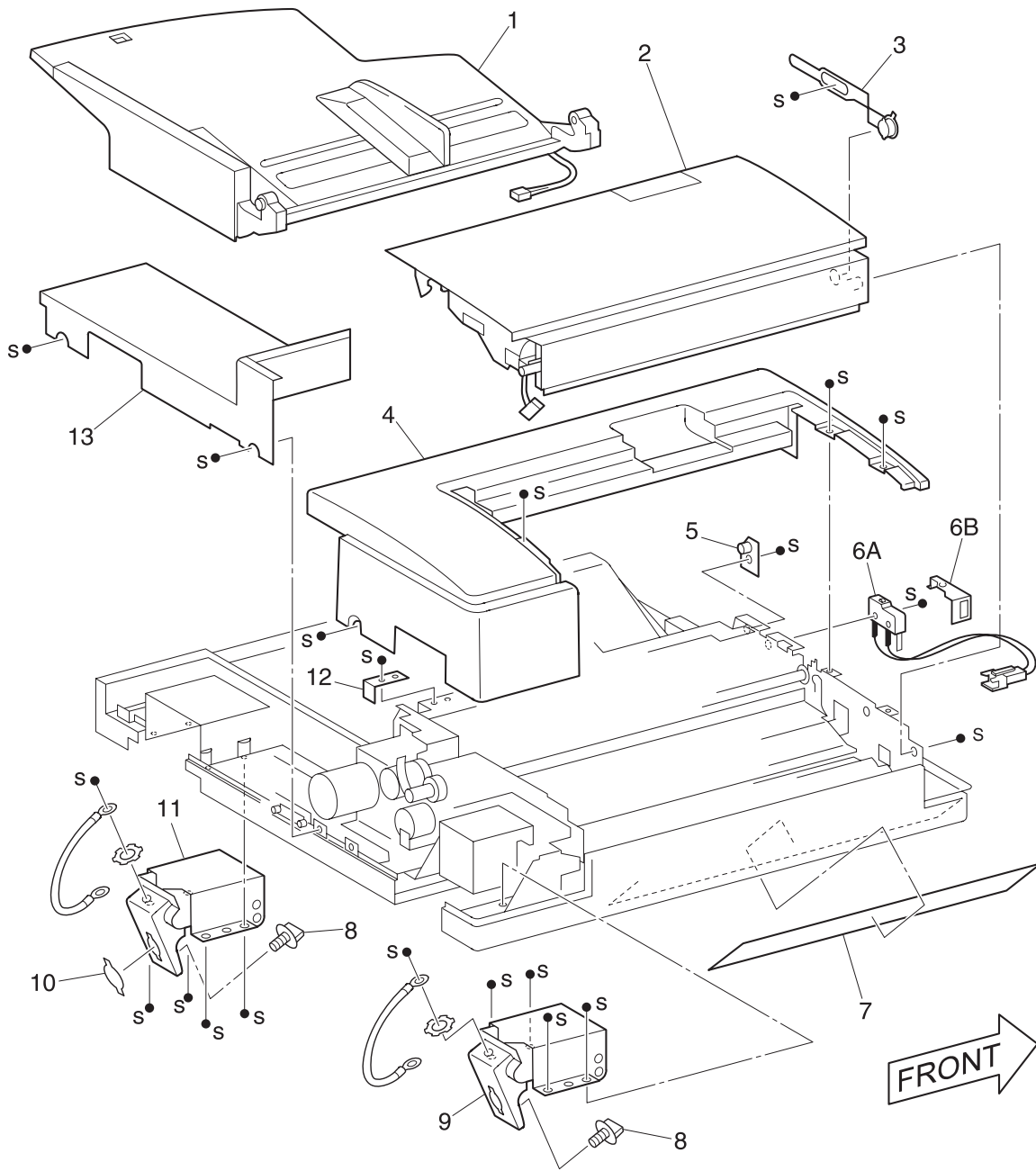
Assembly 1: DADF Cover and Solenoid



Assembly 1:

Ref	Part number	Units	Description
1	12G6841	1	Cover, DADF Front
2	12G6842	1	Handle, DADF
3	12G6843	1	Cushion, DADF
4	12G6844	1	Magnet, DADF
5	12G6845	1	Solenoid, DADF Exit/Reverse

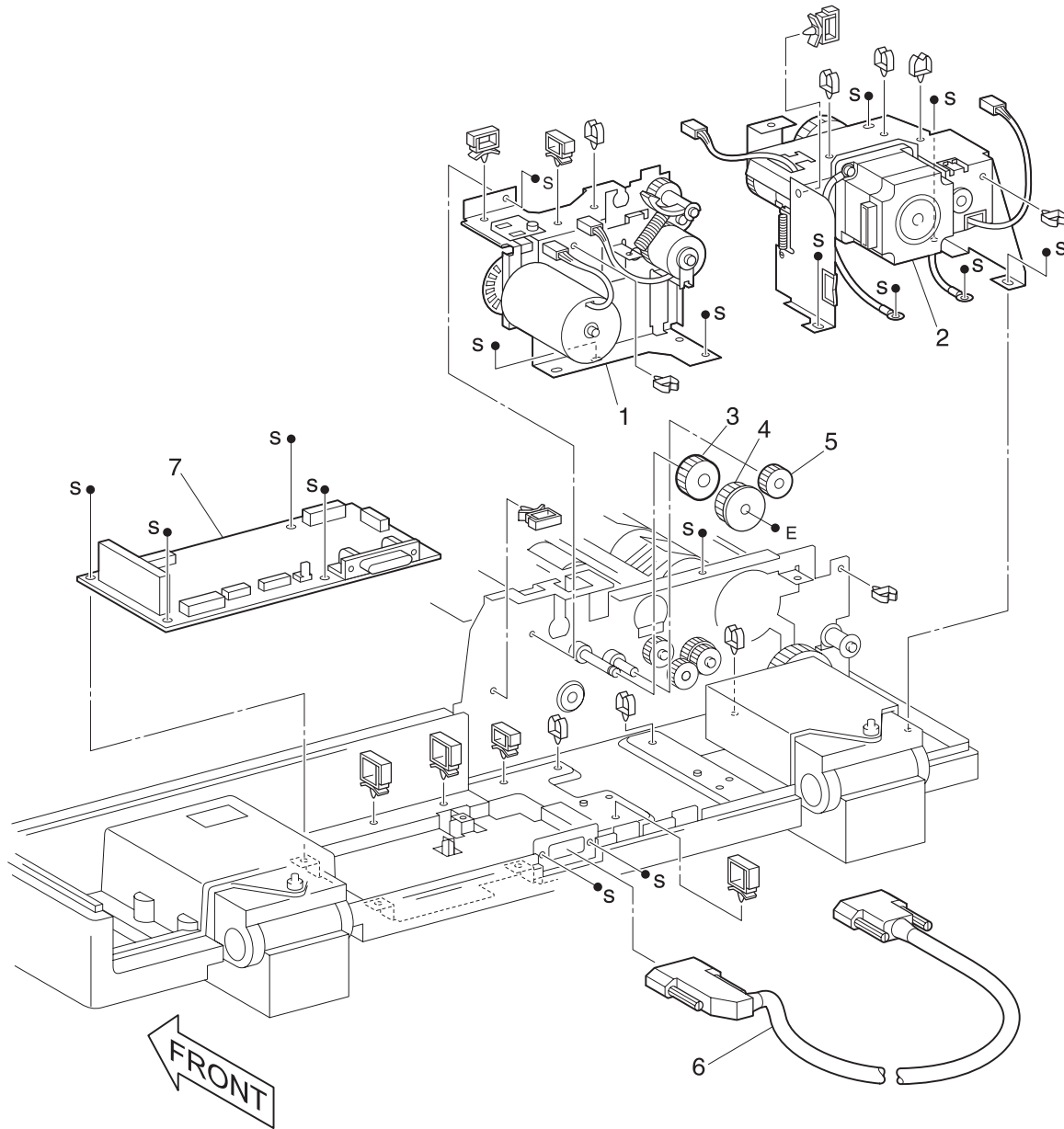
Assembly 2: DADF Cover, Switch, and Hinge (Rear)



Assembly 2:

Ref	Part number	Units	Description
1	12G6846	1	Tray Assembly, DADF Input
2	12G6847	1	Door Assembly, DADF Jam Access
3	12G6848	1	Lever, Jam Access Door
4	12G6849	1	Cover, DADF Top
5	12G6851	1	Plate, Lever
6A	12G6852	1	Actuator, Jam Door Open Switch
6B	12G6853	1	Switch, Jam Door Open
7	12G6854	1	Strip, Mylar Paper Guide
8	12G4191	1	DADF Thumbscrew
9	12G6856	1	Hinge, Left DADF
10	12G6858	1	Plate, Hinge Loading
11	12G6857	1	Hinge, Right DADF
12	12G6859	1	Bracket, Retaining
13	12G6850	1	Cover, DADF Rear

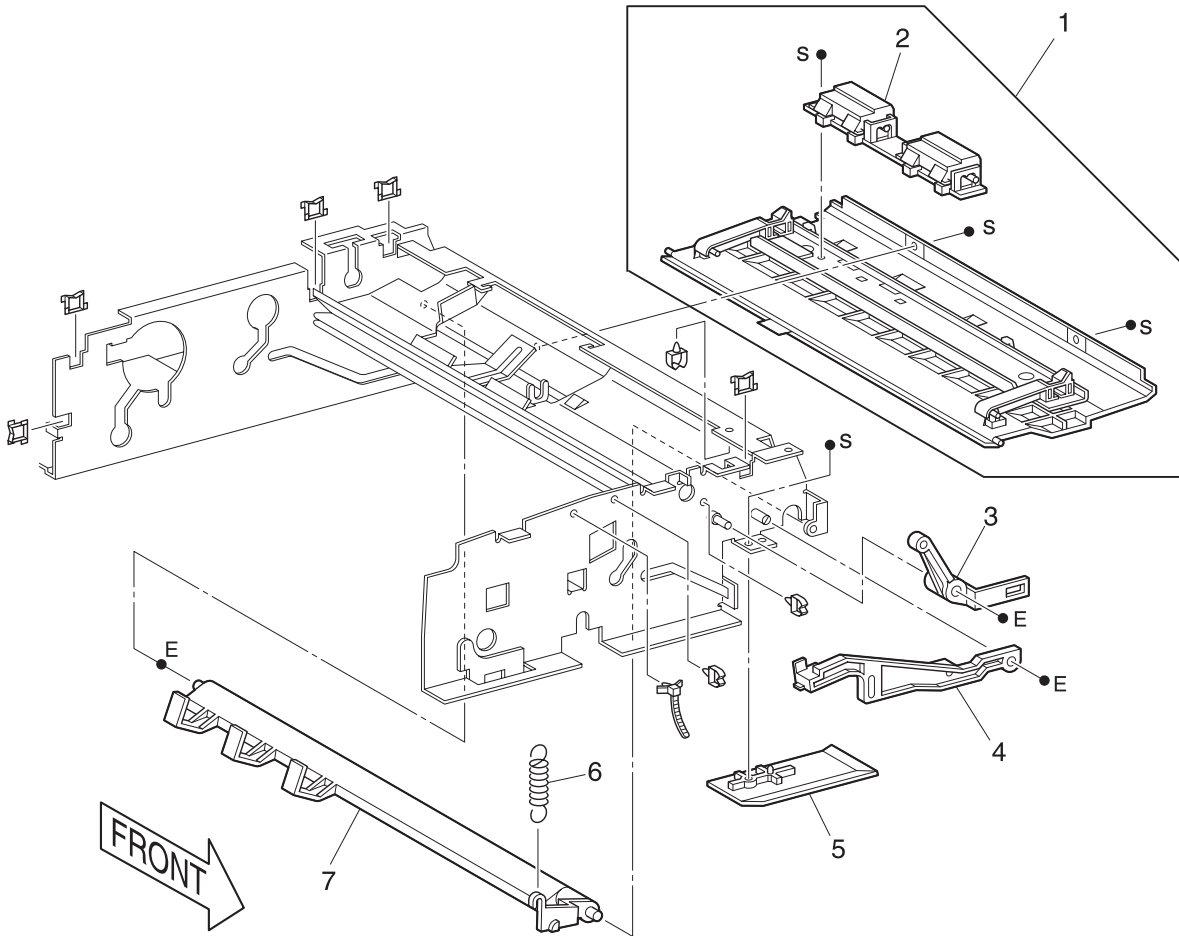
Assembly 3: DADF Control Board and DADF Registration Roll Drive Motor Assembly



Assembly 3:

Ref	Part number	Units	Description
1	12G6864	1	Motor Assembly, DADF Registration Roll Drive
2	12G6865	1	Motor Assembly, DADF Main Drive
3	12G9058	1	Gear, DADF #2B
4	12G6863	1	Gear, DADF #2
5	12G6862	1	Gear, DADF #1
6	12G6861	1	Cable, Scanner to DADF
7	12G6860	1	Card Assembly, DADF Controller

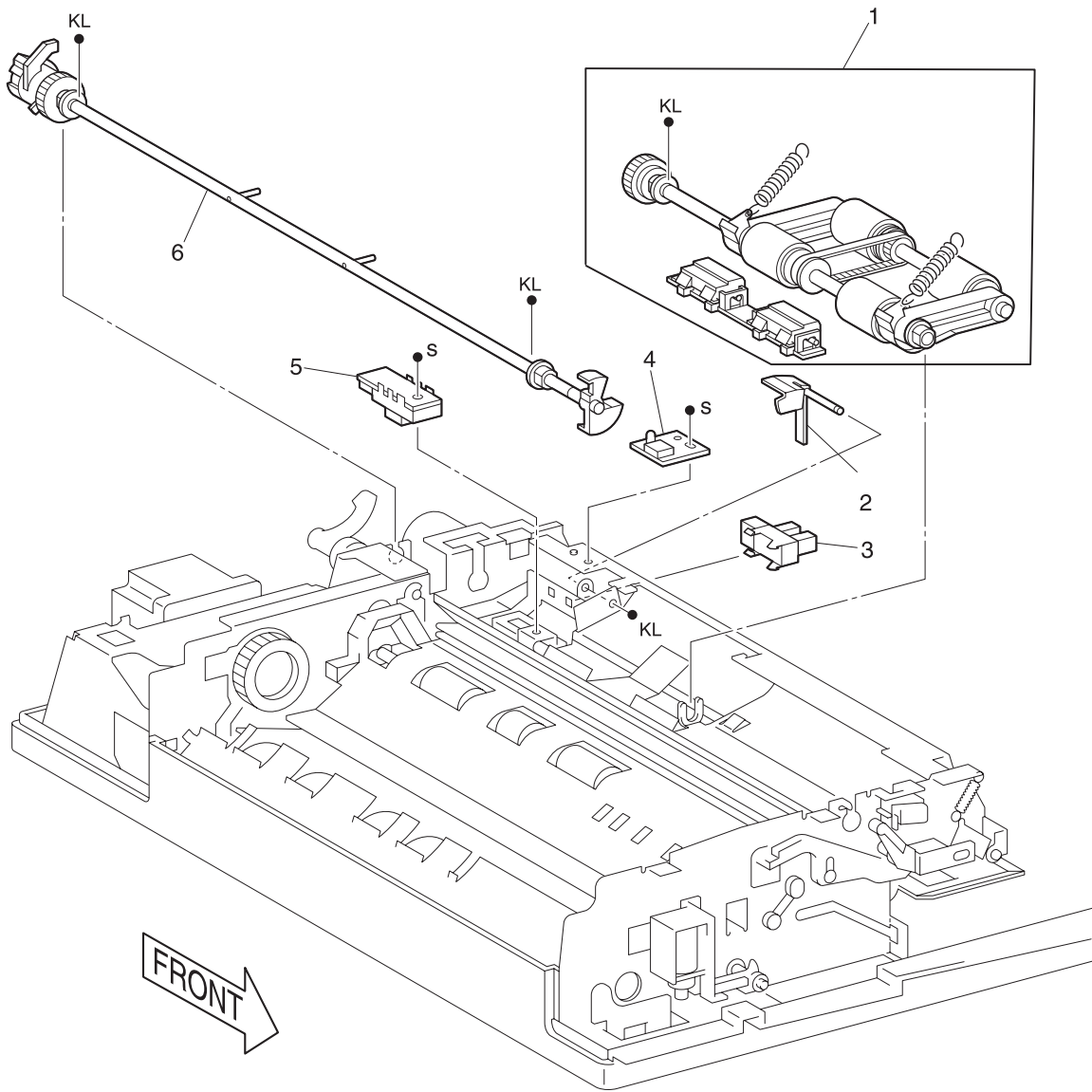
Assembly 4: DADF Separator Pad Asm. and Paper Stop



Assembly 4:

Ref	Part number	Units	Description
1	12G6866	1	Pad Assembly, DADF Separator
2	12G6867	1	Pad, DADF Individual Separator
3	12G6868	1	Linkage, DADF #1
4	12G6869	1	Linkage, DADF #2
5	12G6870	1	Cover, DADF Linkage
6	12G6872	1	Spring, Paper Stop
7	12G6871	1	Stop, Paper

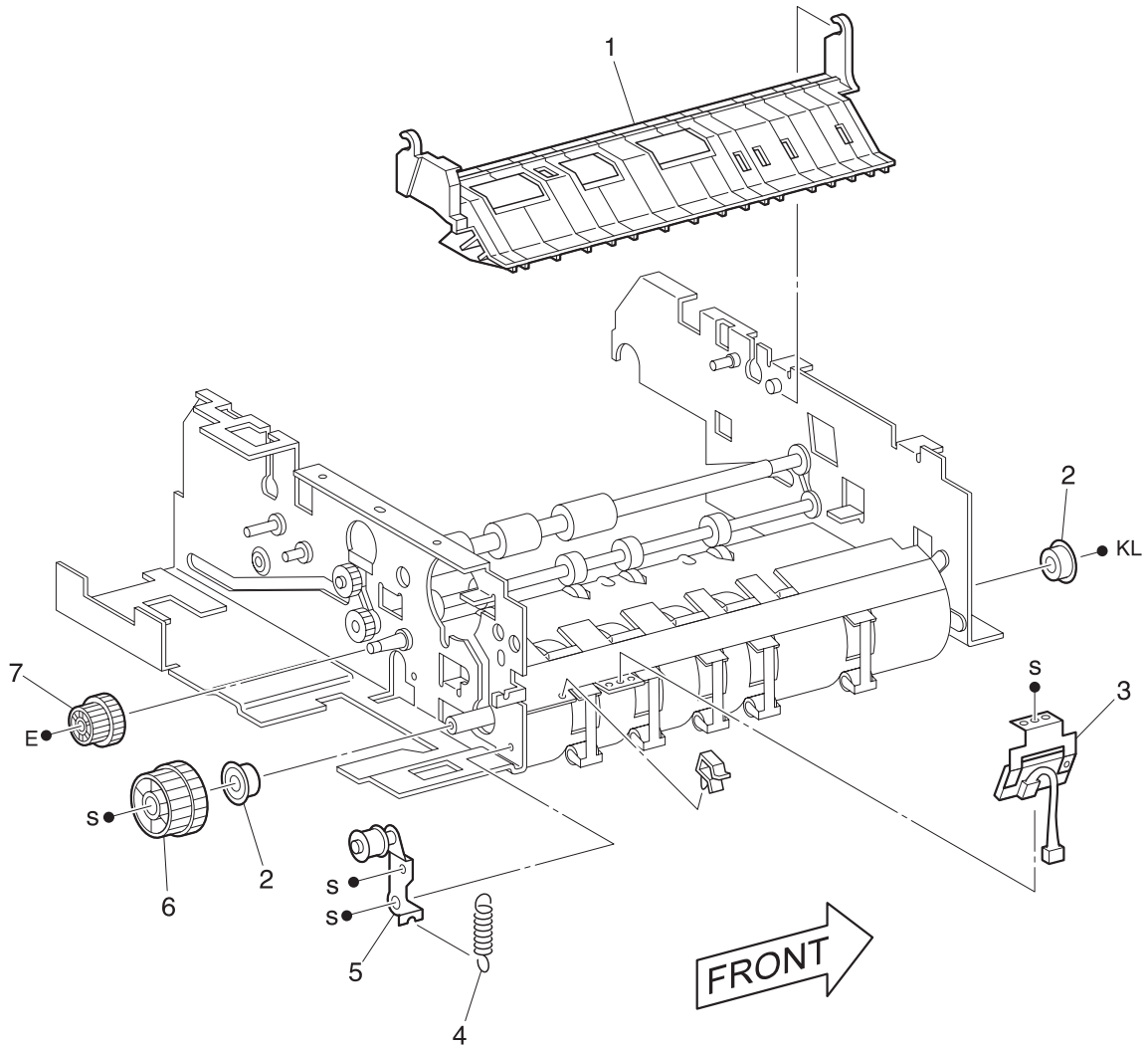
Assembly 5: DADF Pick Roller



Assembly 5:

Ref	Part number	Units	Description
1	12G6878	1	Kit Assembly, DADF Pick Roller with Separator Pad
2	12G6877	1	Flag, Paper Present Sensor
3	12G6876	1	Sensor, DADF Paper Present
4	12G6875	1	Card Assembly, Paper Present Indicator
5	12G6874	1	Sensor, Pre Registration1
6	12G6873	1	Shaft Assembly, Roller Engagement

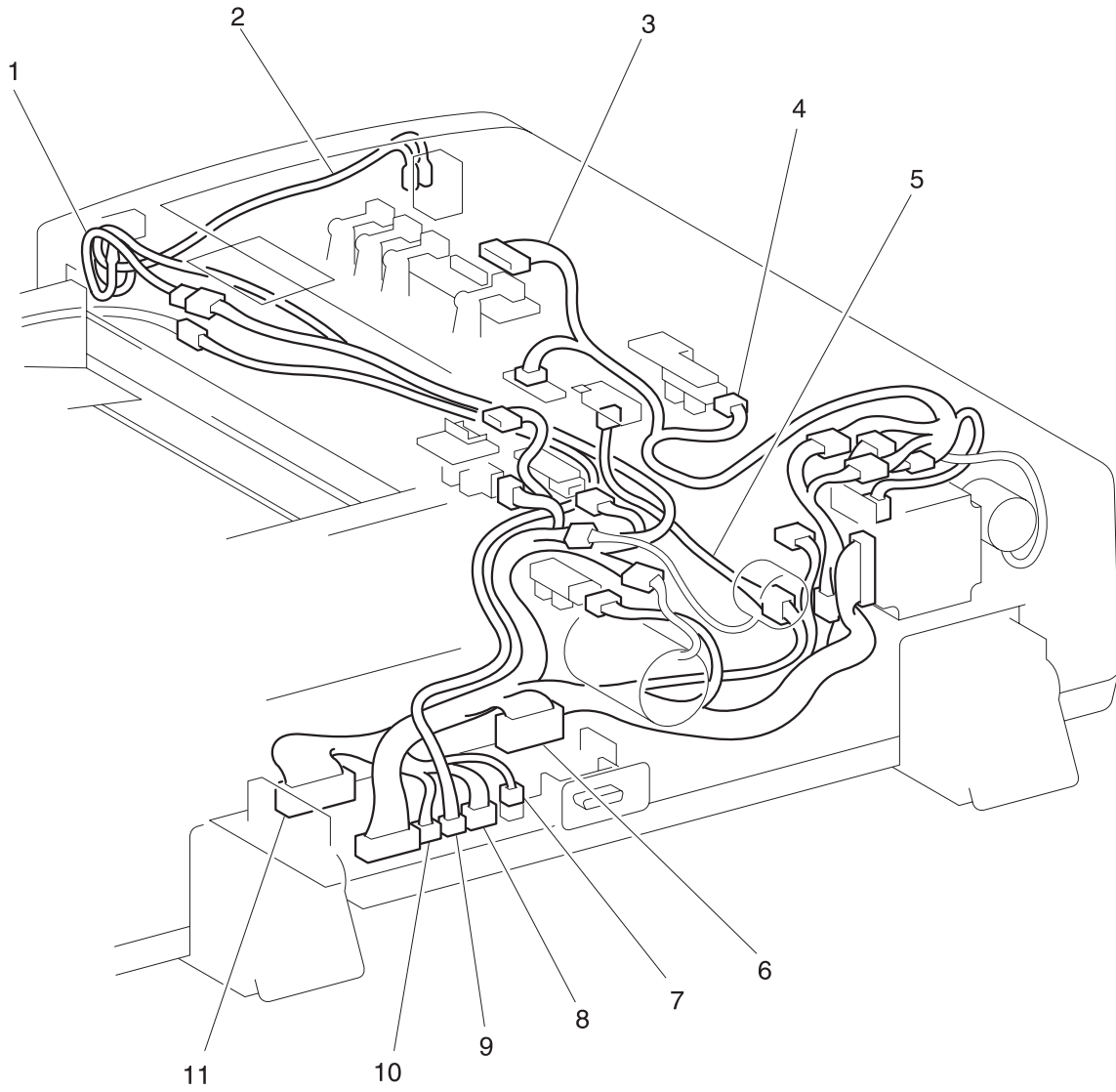
Assembly 6: DADF Document Registration



Assembly 6:

Ref	Part number	Units	Description
1	12G6879	1	Guide, DADF Upper Paper
2	12G6883	2	Bearing, Roller Shaft
3	12G6880	1	Sensor, Registration
4	12G6881	1	Spring, Tension Roller
5	12G6882	1	Roller, Tension
6	12G6884	1	Gear, DADF #3
7	12G6885	1	Gear, DADF #4

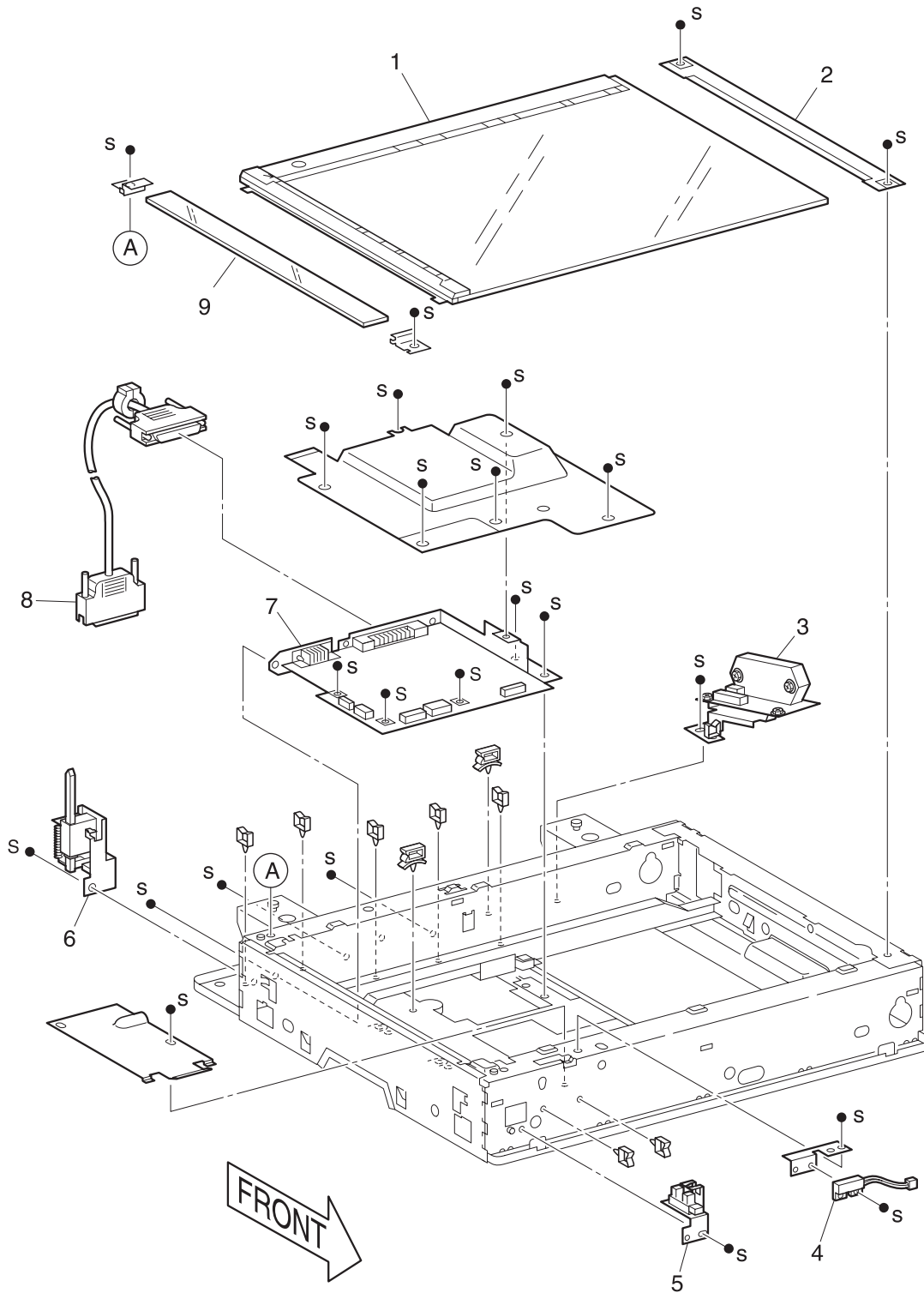
Assembly 7: DADF Wiring Harness



Assembly 7:

Ref	Part number	Units	Description
1	12G6896	1	(J16, J30) Wiring Harness
2	12G6893	1	(J7, J26, J27, J28) Wiring Harness
3	12G6889	1	(J11, J13) Wiring Harness
4	12G6888	1	(J14, J22, J23) Wiring Harness
5	12G6894	1	(J33, J35) Wiring Harness
6	12G6890	1	(J4, J12, J13, J29) Wiring Harness
7	12G6887	1	(J2, J32) Wiring Harness
8	12G6891	1	(J3, J17, J13, J19, J20) Wiring Harness
9	12G6836	1	(J9, J30) Wiring Harness
10	12G6895	1	(J8, J15) Wiring Harness
11	12G6892	1	(J6, J14, J25, J31, J35) Wiring Harness

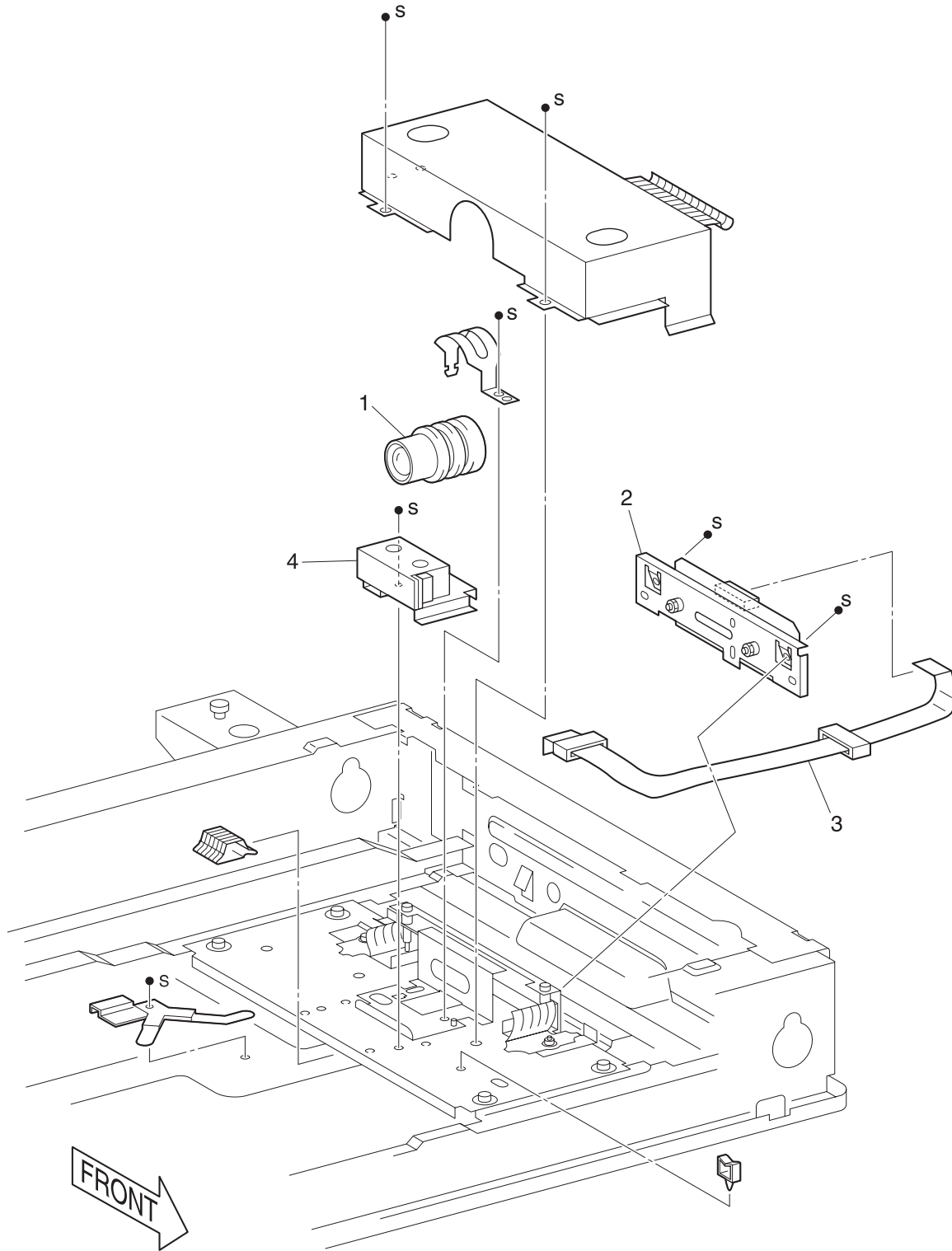
Assembly 8: Scanner Platen Glass and IPS PWB



Assembly 8:

Ref	Part number	Units	Description
1	12G6807	1	Plate, Flatbed Center Platen Glass
2	12G6808	1	Plate, Right
3	12G6809	1	Card Assembly, Scanner Motor
4	12G6810	1	Switch Assembly, Plate
5	12G6811	1	Sensor Assembly, Registration
6	12G6812	1	Sensor Assembly, Flatbed Open
7	12G6813	1	Card Assembly, Scanner System
8	12G6814	1	Cable, Scanner to Controller
9	12G6815	1	Plate, Left DADF Platen Glass

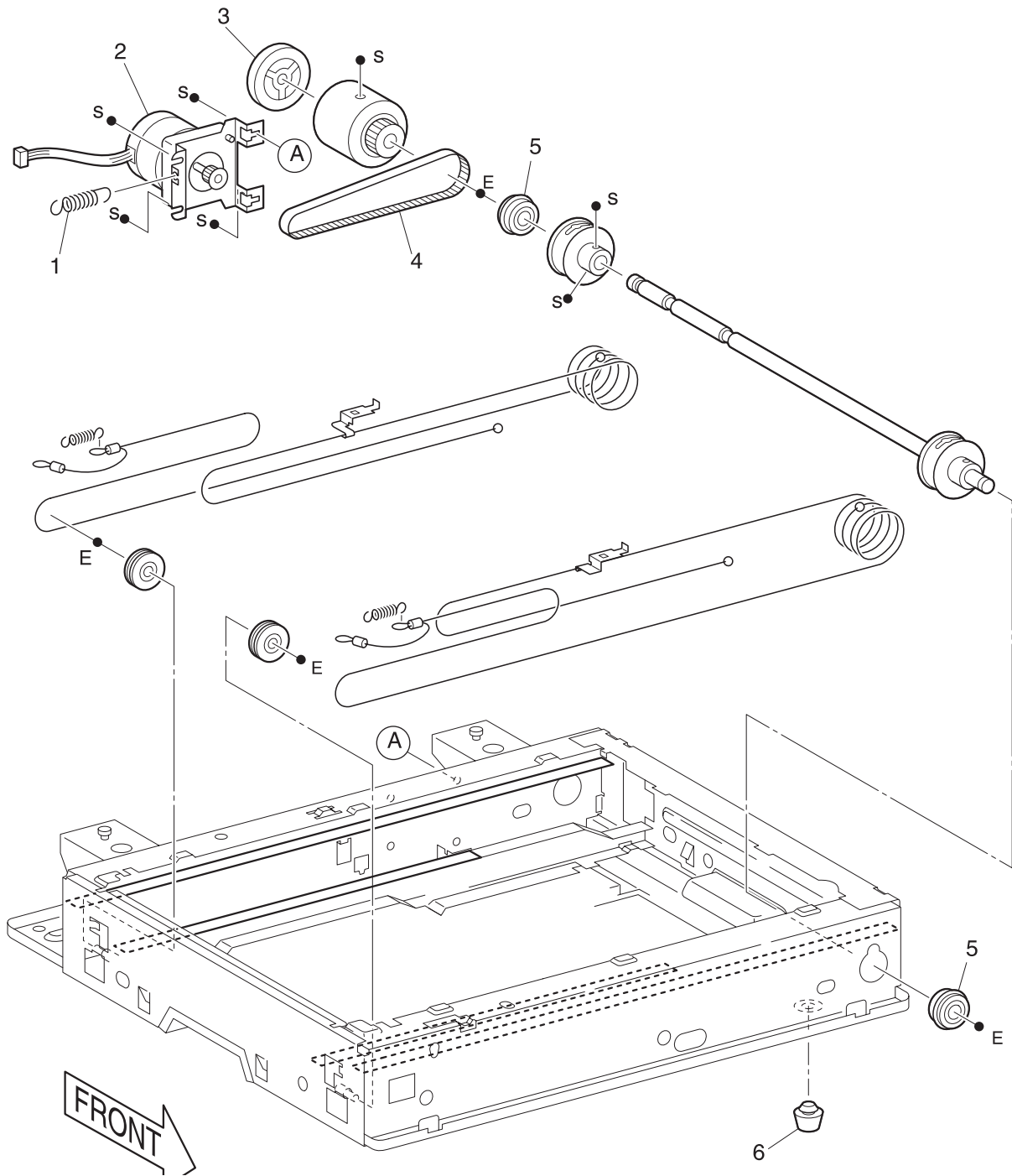
Assembly 9: Scanner Lens Assembly and CCD Card



Assembly 9:

Ref	Part number	Units	Description
1	12G6819	1	Lens, CCD Card
2	12G6816	1	Card Assembly, Charged Couple Device
3	12G6817	1	Cable, CCD
4	12G6818	1	Sensor, Automatic Paper Size (APS)

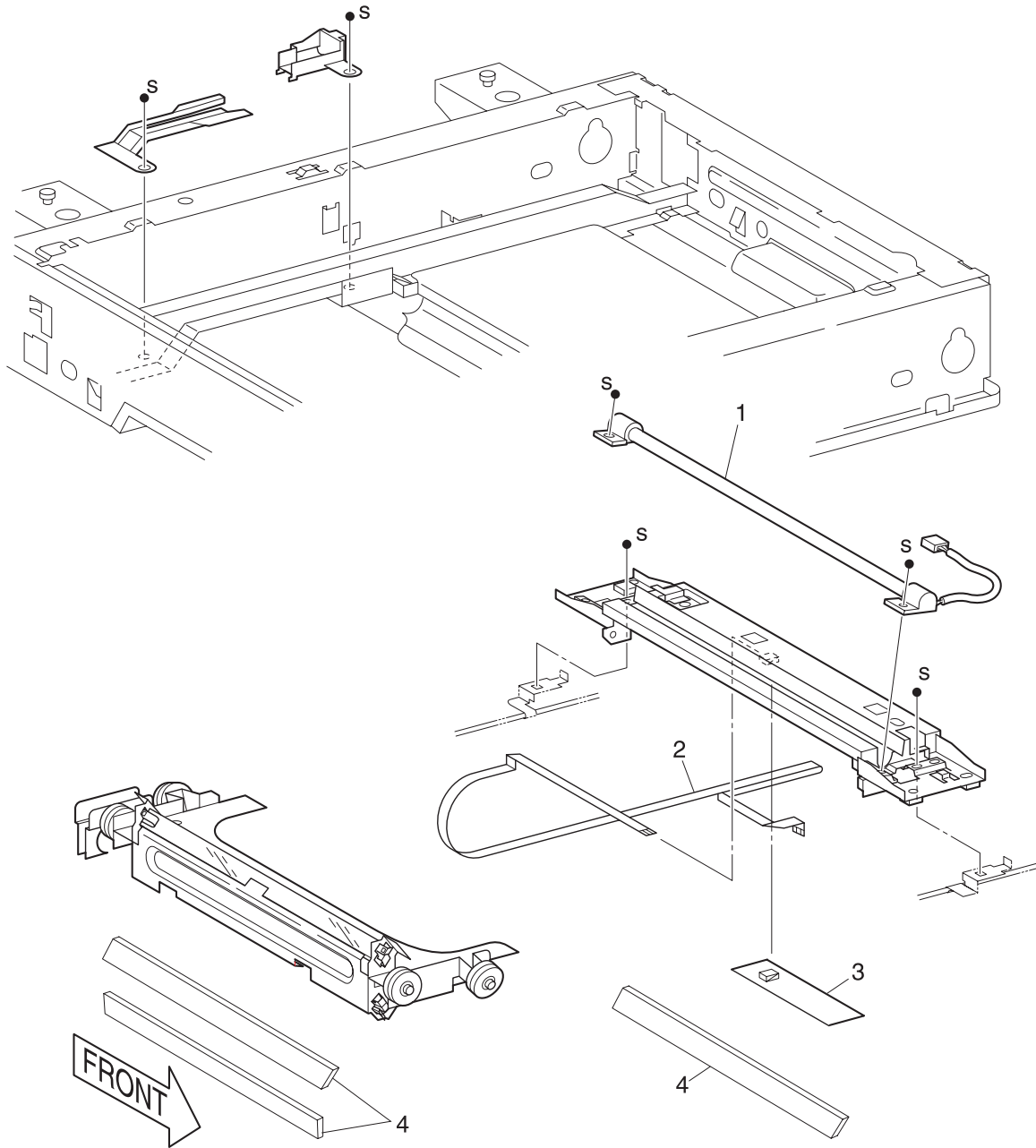
Assembly 10: Scanner Carriage Motor and Cable



Assembly 10:

Ref	Part number	Units	Description
1	12G6829	1	Spring, Motor
2	12G6828	1	Motor Assembly, Main Drive
3	12G6824	1	Damper, Dynamic Motor
4	12G6827	1	Belt, Main Drive
5	12G6826	2	Bearing, Pulley Shaft
6	12G6830	4	Foot, Scanner Base

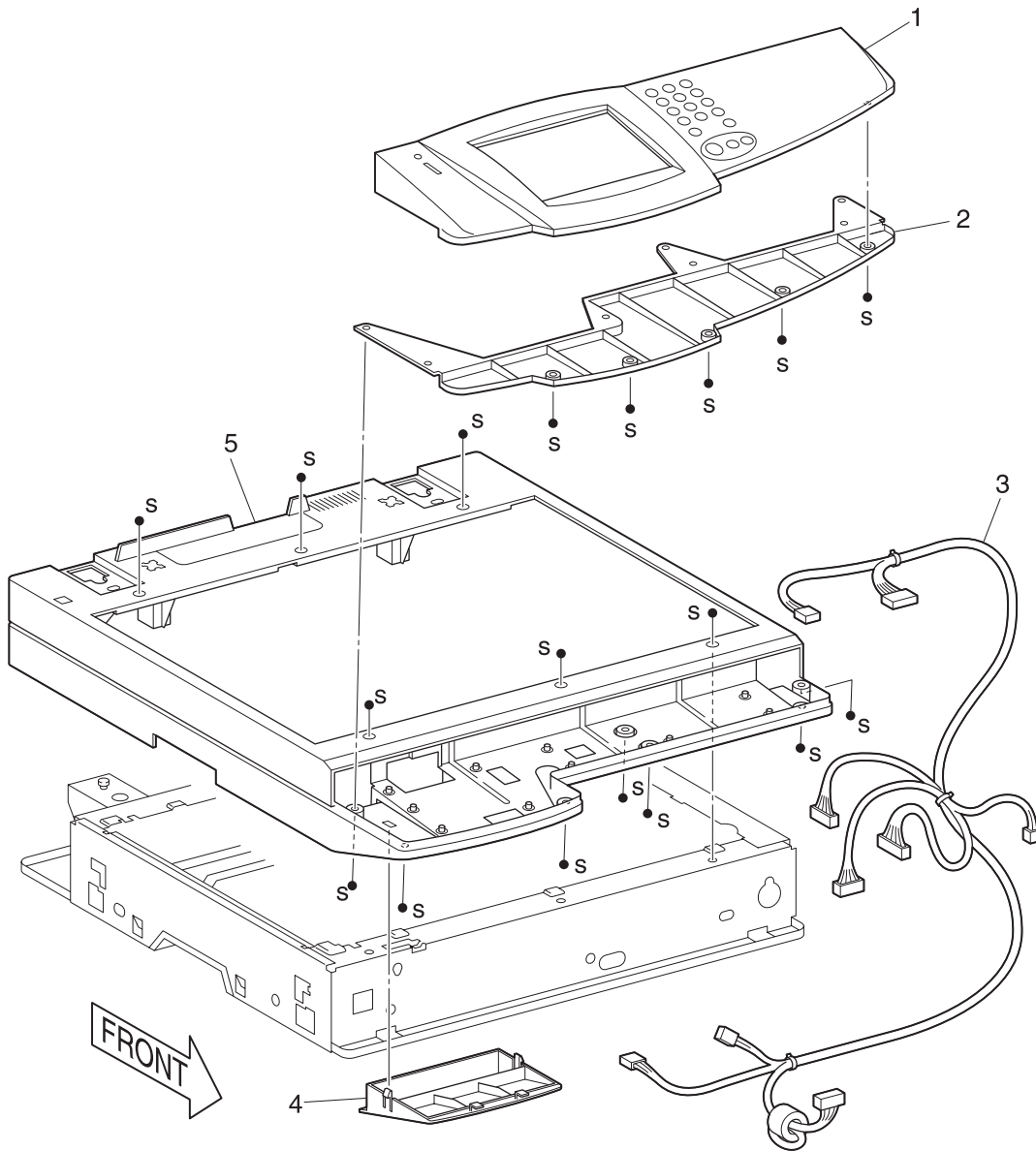
Assembly 11: Scanner Full Rate and Half Rate Carriage



Assembly 11:

Ref	Part number	Units	Description
1	12G6834	1	Lamp Assembly, Full Rate Carriage
2	12G6835	1	Cable, Full Rate Carriage Lamp
3	12G6833	1	Power Invertor, Lamp
4	12G6886	3	Mirror, Carriage

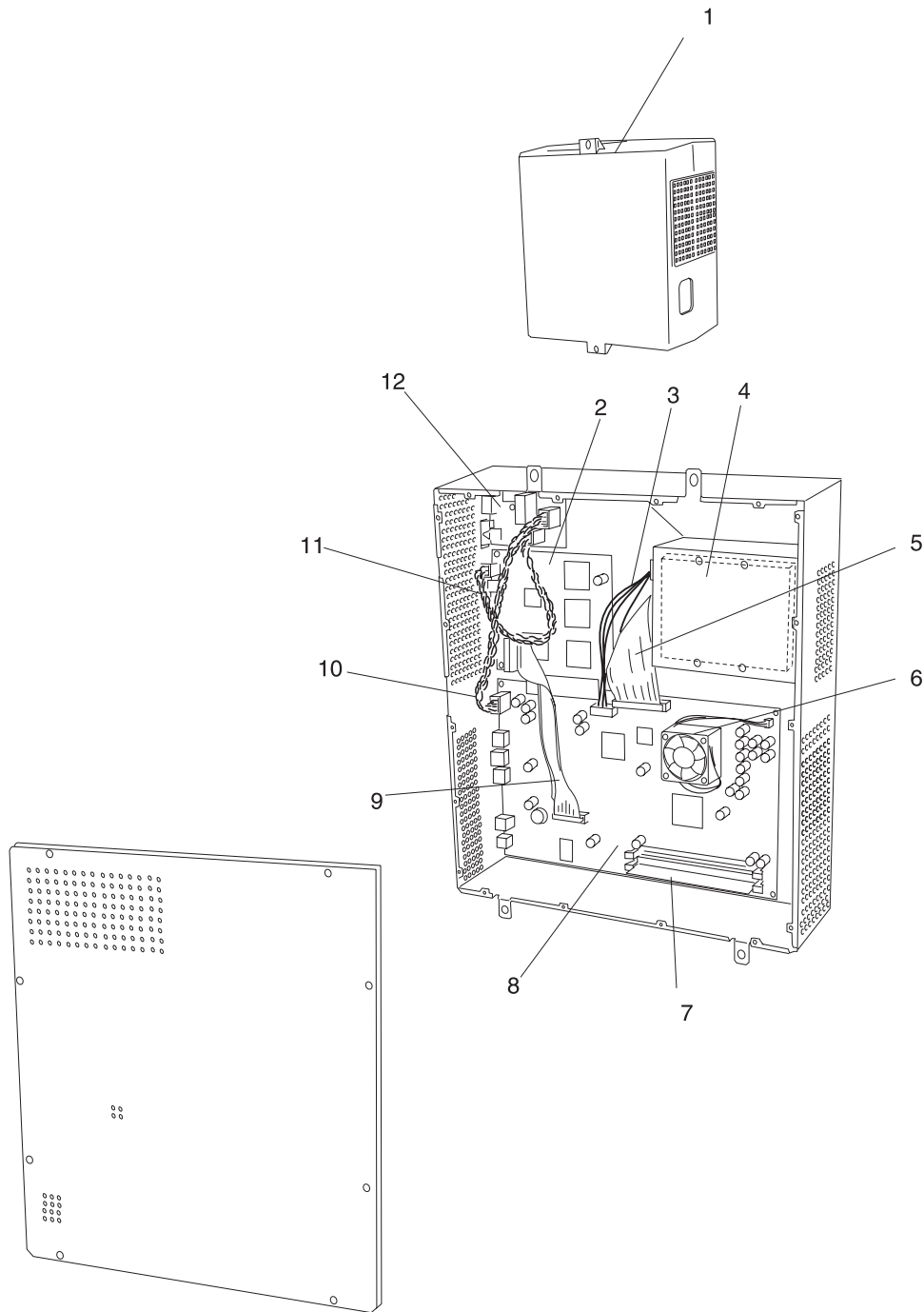
Assembly 12: Scanner Top Cover



Assembly 12:

Ref	Part number	Units	Description
1	12G6839	1	Panel Assembly, User Interface
2	12G9080	1	Cover, User Interface Extension
3	12G6837	1	Main Scanner Wiring Harness, (J731<>J390, J734<>J744/J745/J746/P747, J735<>J748)
4	12G6840	1	Cover, Under Top Cover
5	12G6838	1	Cover Assembly, Flatbed Scanner Top

Assembly 13: Multifunction Device Controller Cage Electronics



Assembly 13:

Ref	Part Number	Units	Description
1	12G6918	1	Power Supply, Universal, External
2	12G6907	1	Card Assembly, Image Processor
3	12G6912	1	Cable, HDD to Controller–4 Pin
4	56P0076	1	Drive Assembly, Hard Disk
5	12G6911	1	Cable, HDD to Controller–40 Pin
6	12G9063	1	Fan, CPU Cooling
7	56P9910	1	Card Assembly, 128MB DIMM
8	56P0064	1	Card Assembly, Controller, (all countries except Australia/New Zealand)
8	56P0065	1	Card Assembly, Controller, (Australia/New Zealand)
9	12G6913	1	Cable, Controller to Image Processor
10	12G6909	1	Cable, Power Distribution to Controller
11	12G6910	1	Cable, Power Distribution to Image Processor
12	12G6908	1	Card Assembly, Power Distribution
N/S	12G9061	1	Parts Pack, Controller Card Standoff
N/S	12G9062	1	Parts Pack, Screw
N/S	12G4368	1	Parts Pack, Clamp Kit (Lexmark W820 printer - 4025)
N/S	12G4369	1	Parts Pack, E-Clip Kit (Lexmark W820 printer - 4025)
N/S	12G4375	1	Parts Pack, Screw (Lexmark W820 printer - 4025)
N/S	56P0558	1	Cable, RJ11 with Toroids
N/S	56P0559	1	Cable, RJ45 with Toroid
N/S	11D0328	1	Line Cord, US, Canada, APG (LV), LAD (LV)
N/S	11D0329	1	Line Cord, Peru
N/S	11D0330	1	Line Cord, Argentina
N/S	11D0331	1	Line Cord, Brazil
N/S	11D0332	1	Line Cord, Chile
N/S	11D0333	1	Line Cord, Denmark
N/S	11D0334	1	Line Cord, France, Germany, Spain, Belgium, England, Europe
N/S	11D0335	1	Line Cord, Italy
N/S	11D0336	1	Line Cord, Switzerland
N/S	11D0337	1	Line Cord, UK, Ireland, Egypt
N/S	11D0338	1	Line Cord, Israel
N/S	11D0339	1	Line Cord, South Africa
N/S	99A0471	1	Line Cord, PRC
N/S	56P1806	1	Kit Asm., X820e Operator Panel Conversion

