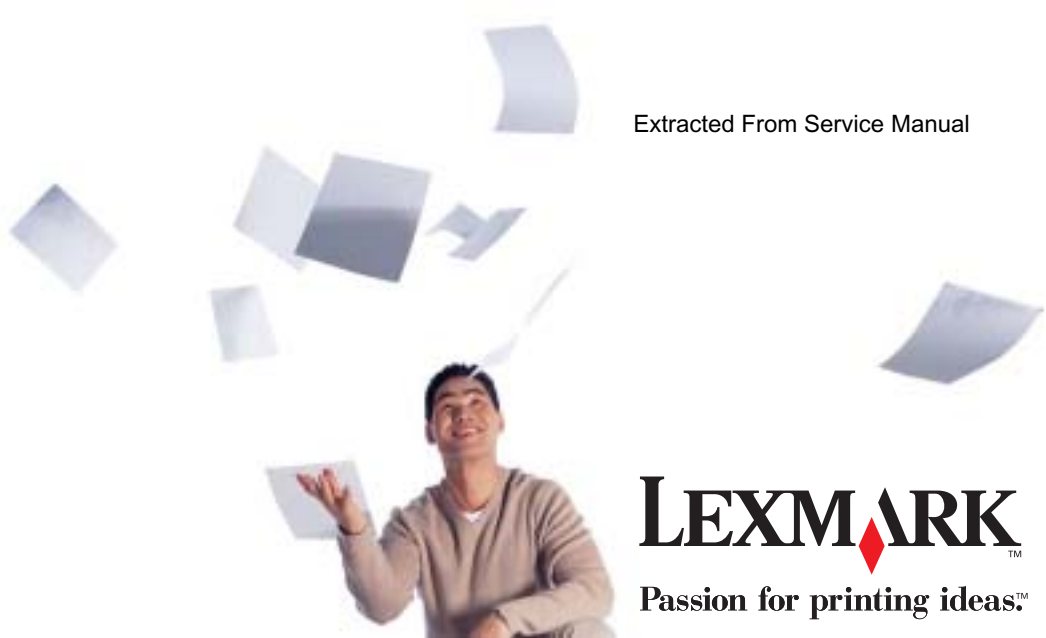


Parts Breakdown

Lexmark Z31 Color Jetprinter™

4099

Extracted From Service Manual



LEXMARK™
Passion for printing ideas.™

First Edition (August 1999)

The following paragraph does not apply to any country where such provisions are inconsistent with local law: LEXMARK INTERNATIONAL, INC. PROVIDES THIS PUBLICATION "AS IS" WITHOUT WARRANTY OF ANY KIND, EITHER EXPRESS OR IMPLIED, INCLUDING, BUT NOT LIMITED TO, THE IMPLIED WARRANTIES OF MERCHANTABILITY OR FITNESS FOR A PARTICULAR PURPOSE. Some states do not allow disclaimer of express or implied warranties in certain transactions; therefore, this statement may not apply to you.

This publication could include technical inaccuracies or typographical errors. Changes are periodically made to the information herein; these changes will be incorporated in later editions. Improvements or changes in the products or the programs described may be made at any time.

A form for reader's comments is provided at the back of this publication. If the form has been removed, comments may be addressed to Lexmark International, Inc., Department D22/035-3, 740 West New Circle Road, Lexington, Kentucky 40550, U.S.A. Lexmark may use or distribute any of the information you supply in any way it believes appropriate without incurring any obligation to you. You can purchase additional copies of publications related to this product by calling 1-800-553-9727. In other countries, contact your point of purchase.

Lexmark is a trademark of Lexmark International, Inc., registered in the United States and/or other countries.

Color Jetprinter is a trademark of Lexmark International, Inc.

Other trademarks are the property of their respective owners.

© **Copyright Lexmark International, Inc. 1999.**

All rights reserved.

UNITED STATES GOVERNMENT RESTRICTED RIGHTS

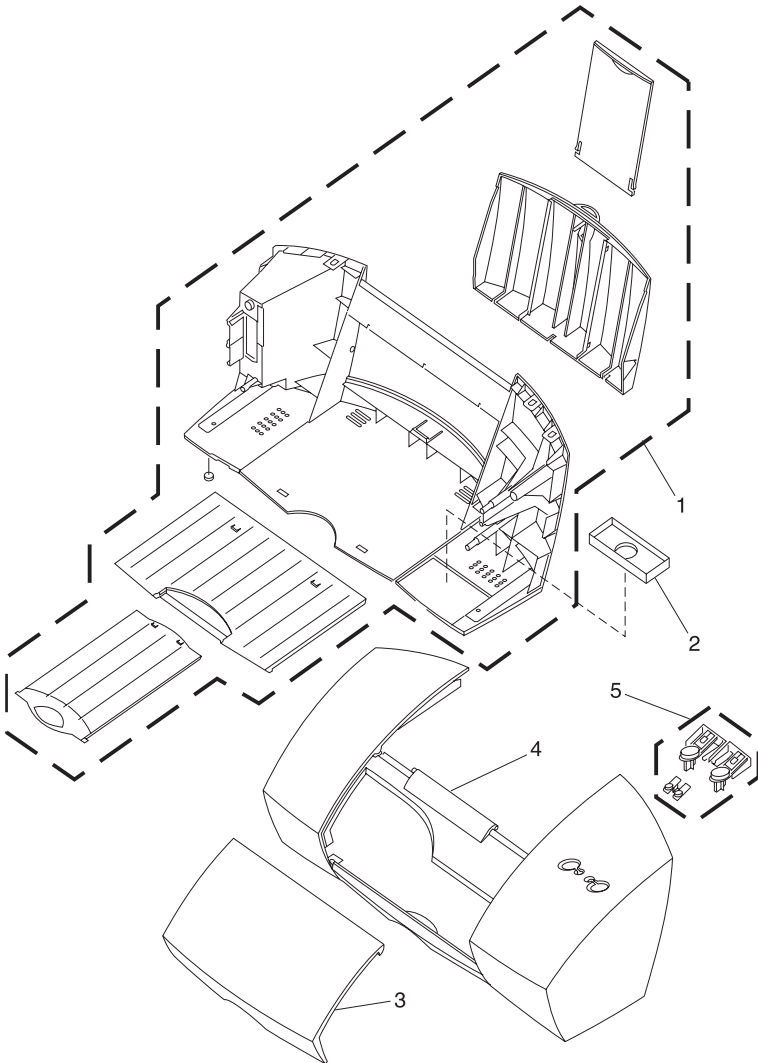
This software and documentation are provided with RESTRICTED RIGHTS. Use, duplication or disclosure by the Government is subject to restrictions as set forth in subparagraph (c)(1)(ii) of the Rights in Technical Data and Computer Software clause at DFARS 252.227-7013 and in applicable FAR provisions: Lexmark International, Inc., Lexington, KY 40550.

7. Parts Catalog

How to Use This Parts Catalog

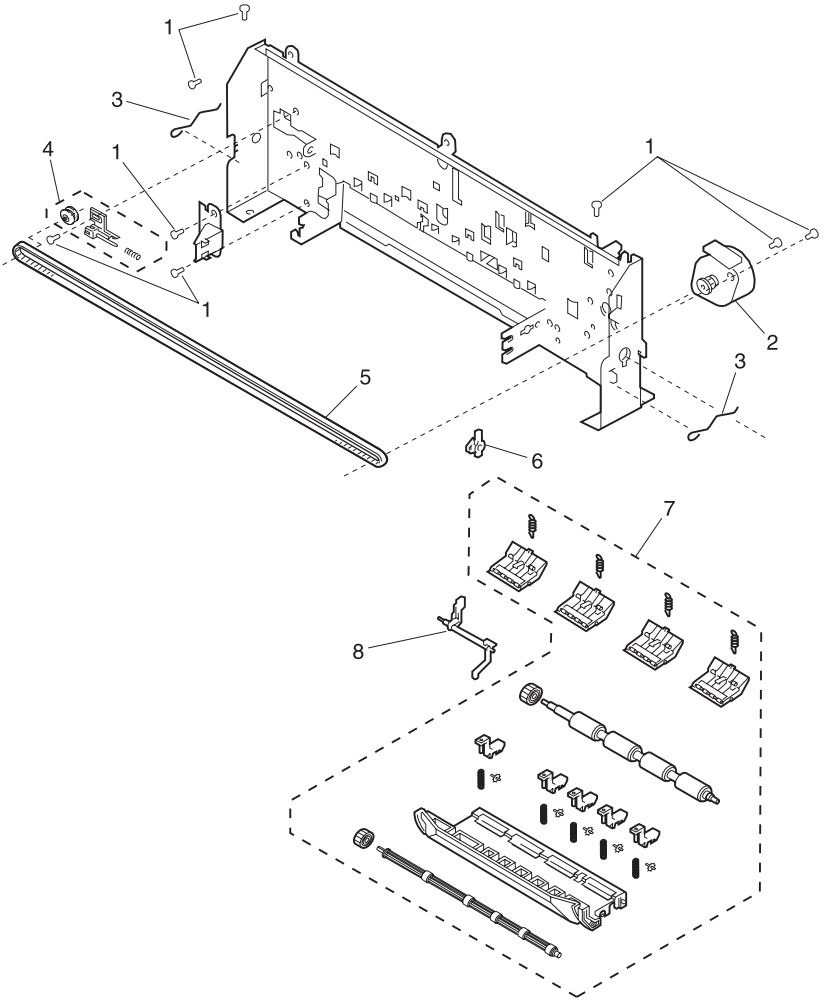
- **SIMILAR ASSEMBLIES:** If two assemblies contain a majority of identical parts, they are shown on the same list. Common parts are shown by one index number. Parts peculiar to one or the other of the assemblies are listed separately and identified by description.
- **NS:** (Not Shown) in the Asm-Index column indicates that the part is procurable but is not pictured in the illustration.
- **PP:** in the parts description column indicates the part is available in the listed parts packet.
- **NA:** Not available as a FRU.

Assembly 1: Covers



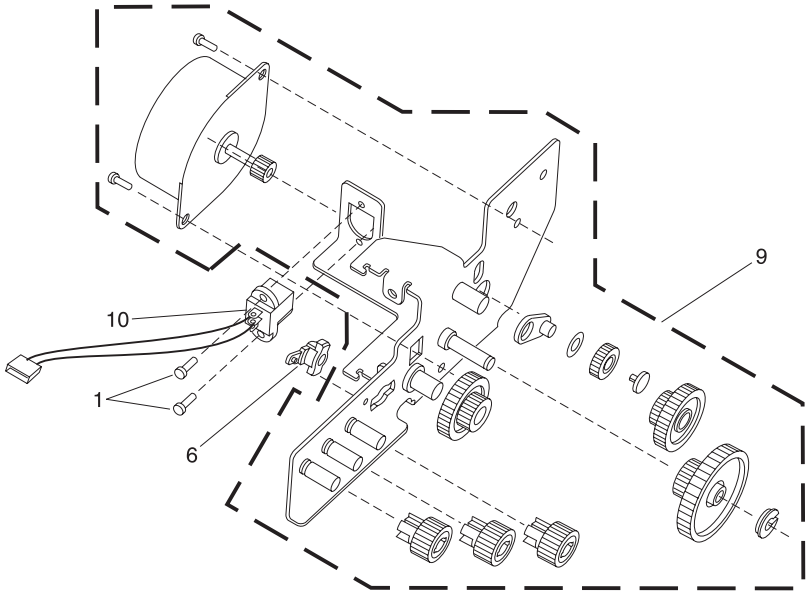
Asm-Index	Part Number	Units	Description
1 -1	12G0190	1	Base Cover with Feet, Exit Tray and Banner Support
2	12G0193	1	Felt Ink Pad
3	12G0192	1	Access Cover
4	12G0191	1	Front Cover
5	12G0195	1	Power Button and Lens
NS	7350512	1	Field Packaging B/M

Assembly 2: Paper Feed



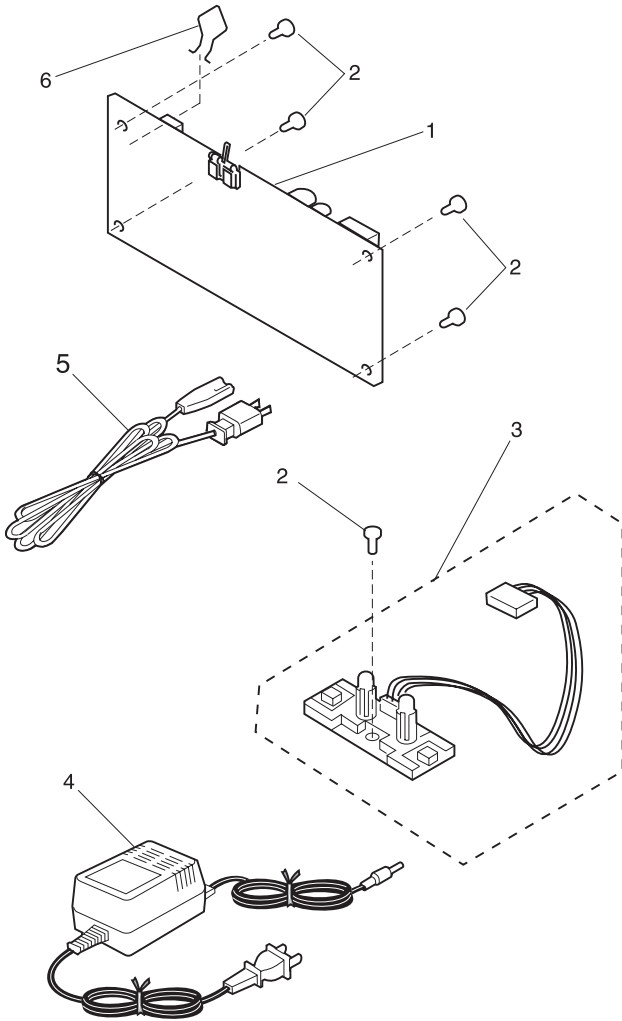
Asm-Index	Part Number	Units	Description
2 -1	12G0209	7	Screws (PP)
2	12G0197	1	Carrier Transport Motor
3	12G0209	2	Retainer, Carrier Guide Rod (PP)
4	12G0209	1	Carrier Belt Tensioner (PP)
5	12G0206	1	Carrier Belt
6	12G0209	2	Bushing, Feed Roller (PP)
7	12G0196	1	Mid Frame with Star Rollers, Large and Small Feed Rollers
8	12G0209	1	End of Forms Flag & Spring (PP)

Assembly 2: Paper Feed (Continued)



Asm-Index	Part Number	Units	Description
2 -1	12G0209	2	Screws (PP)
6	12G0209	2	Bushing, Feed Roller (PP)
9	12G0199	1	Gear Plate Asm with Motor
10	12G0194	1	Power Connector with Cable (Note: Includes Op Panel Asm)

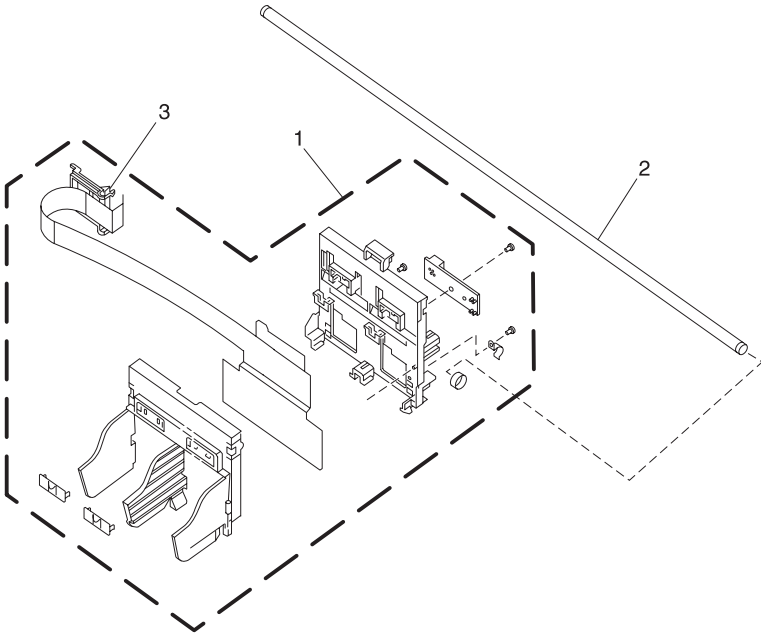
Assembly 3: Electronics



Asm-Index	Part Number	Units	Description
3 -1	12G1781	1	System Board
2	12G0209	5	Screws (PP)
3	12G0194	1	Op Panel Asm with Cable (Note: Includes Power Connector)
4	12G1826	1	P/S External (LV) 120 V
4	12G1827	1	P/S External (HV) 220 V
4	12G1825	1	P/S External (LV) 100 V Japan
5	11B6073	1	Power Cord, United Kingdom, Hong Kong, Ireland
5	11B6074	1	Power Cord, Europe, Chile
5	11B6076	1	Power Cord, Australia/New Zealand, Brazil
5	11B6077	1	Power Cord, South Africa
5	11B6078	1	Power Cord, Peru
5	11B6138	1	Power Cord, China
6	42F1814	2	Parallel Port Cable Clip

4099

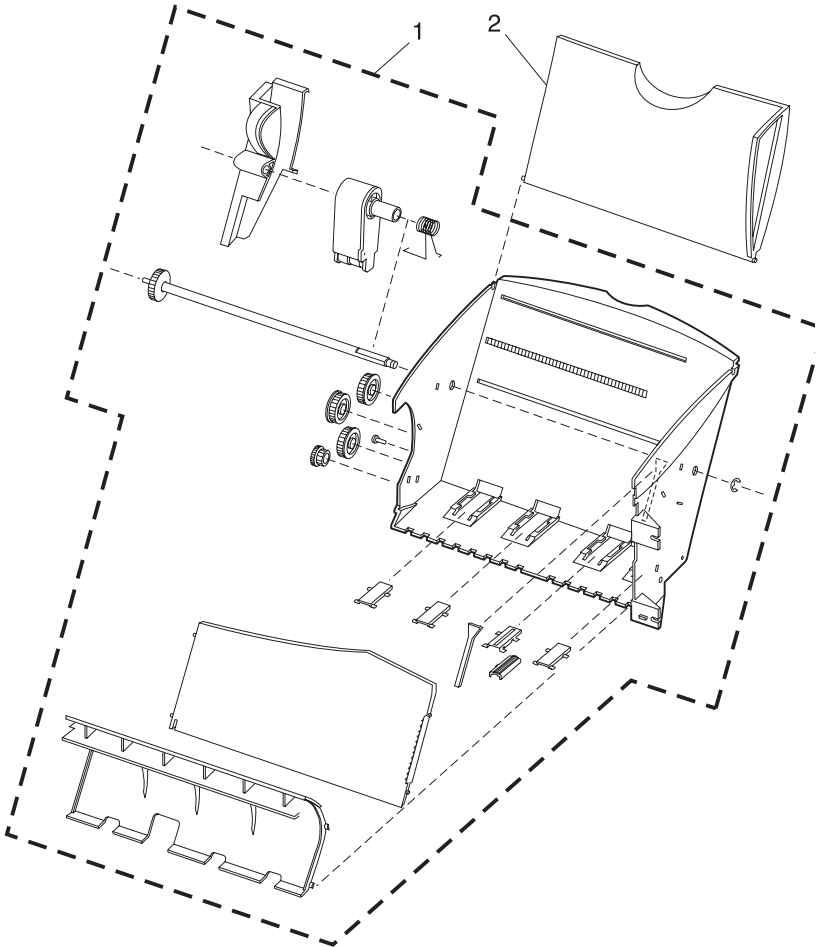
Assembly 4: Carrier



4099

Asm-Index	Part Number	Units	Description
4 -1	12G0204	1	Printhead Carrier Asm with Cable and Sensor
2	12G0205	1	Carrier Guide Rod
3	12g1868	1	Holder, FPC (Flat Parallel Cable)

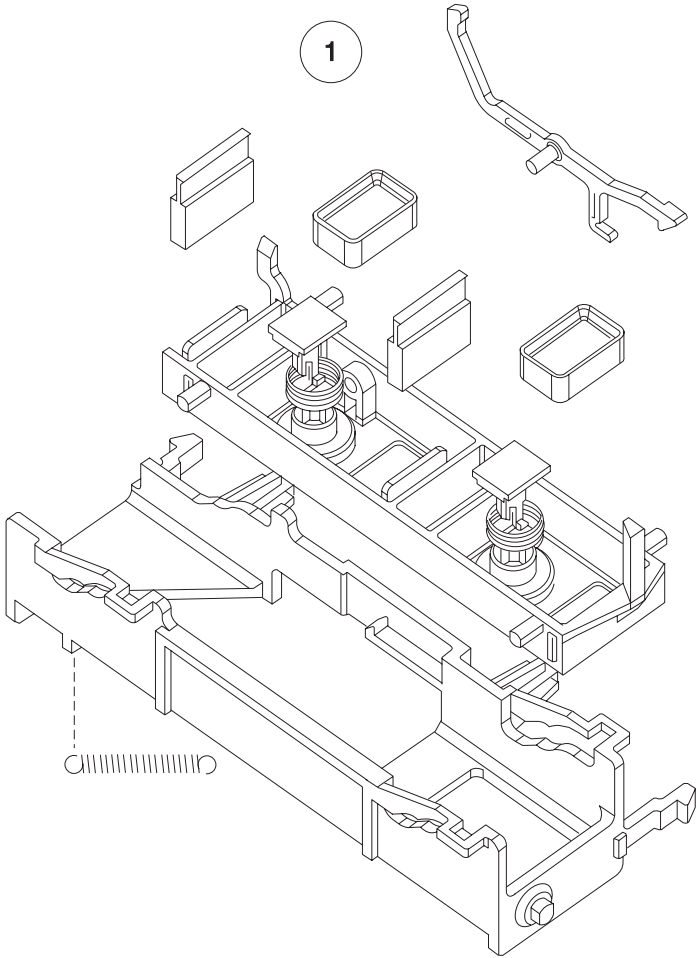
Assembly 5: Automatic Sheet Feeder



4099

Asm- Index	Part Number	Units	Description
5 -1	12G0207	1	Automatic Sheet Feeder Asm
2	12G3619	1	Paper Support

Assembly 6: Maintenance Station



4099

Asm- Index	Part Number	Units	Description
6 -1	12G0208	1	Maintenance Station Assembly