



## Main Assembly Parts List

SA : Service Available

O : Service available X : Service not available

No.	Description	SEC.Code	Q'ty	SA	Remark
0	SET	CLP-500			
1	ELA UNIT-ITB	JC96-02769A	1	O	USER CHANGE
2	ELA UNIT-OPC	JC96-02770A	1	O	USER CHANGE
3	ELA UNIT-DEVE BLACK	JC96-02765A	1	O	USER CHANGE
4	ELA UNIT-DEVE CYAN	JC96-02766A	1	O	USER CHANGE
5	ELA UNIT-DEVE MAGENTA	JC96-02767A	1	O	USER CHANGE
6	ELA UNIT-DEVE YELLOW	JC96-02768A	1	O	USER CHANGE
7	ELA UNIT-MAIN DRIVE	JC96-02771A	1	O	
8	ELA UNIT-DEVE DRIVE	JC96-02772A	1	O	
9	ELA UNIT-FUSER 230V	JC96-02773A	1	O	230V
	ELA UNIT-FUSER 110V	JC96-02773B	1	O	110V
10	PBA MAIN-CONTROLLER	JC92-01441A	1	O	
11	MEA MAIN-FRAME	JC97-01757A	1	X	
12	MEA-EXIT	JC97-01754A	1	O	
13	MEA-DUPLEX	JC97-01756A	1	O	
14	MEA-CASSETTE	JC97-01753A		O	
15	ELA HOU-COVER FRONT	JC96-02798A	1	X	
16	MEA HOU-COVER REAR	JC97-01764A	1	O	
16-1	PMO-COVER REAR	JC72-01201A	1	X	
16-2	PMO-COVER REAR DECO	JC72-01202A	1	X	
16-3	PMO-COVER OPEN BOARD	JC72-01203A	1	X	
16-4	LABEL(P)-REAR	JC68-01176A	1	X	
16-S8	SCREW-TAPTITE	6003-000119	1	O	
17	MEA HOU-COVER TOP	JC97-01765A	1	O	
18	MEA HOU-COVER DEVE	JC97-01766A	1	O	
19	ELA UNIT-SMPS_230V	JC96-02875A	1	O	230V
	ELA UNIT-SMPS_110V	JC96-00055A	1	O	110V
19-1	SMPS-V2_230V	JC44-00056A	1	O	230V
	SMPS-V1_110V	JC96-00055A	1	O	110V
19-2	IPR-BRKT SMPS	JC70-00415A	1	O	
19-3	SHEET-SMPS	JC63-00236A	1	X	
19-S9	SCREW-TAPTITE	6003-000266	1	O	
20	HVPS-BIGBANG	JC44-00058A	1	O	
21	UNIT-LSU BIGBANG	JC59-00020A	1	O	
22	WASHER-PLAIN	6031-001255	2	X	
23	RING-E	6044-000125	2	X	
24	SHEET-ECU BOARD	JC63-00246A	1	X	
25	CBF HARNESS-LIU GND	JB39-00103A	1	O	
26	ICT-PIN ADF	JB70-00168A	1	X	
27	FAN-DC	JC31-00025A	1	O	
28	CBF HARNESS-MAIN LSU	JC39-00271A	1	O	
29	CBF HARNESS-MAIN_PANEL	JC39-00281A	1	O	
30	CBF HARNESS-DEVE_MOTOR	JC39-00287A	1	O	
31	CBF HARNESS-MAIN_MOTOR	JC39-00293A	1	O	
32	CBF HARNESS-MAIN_SMPS	JC39-00296A	1	O	
33	MEP-CLUTCH CAM SOLENOID	JC47-00007A	1	O	

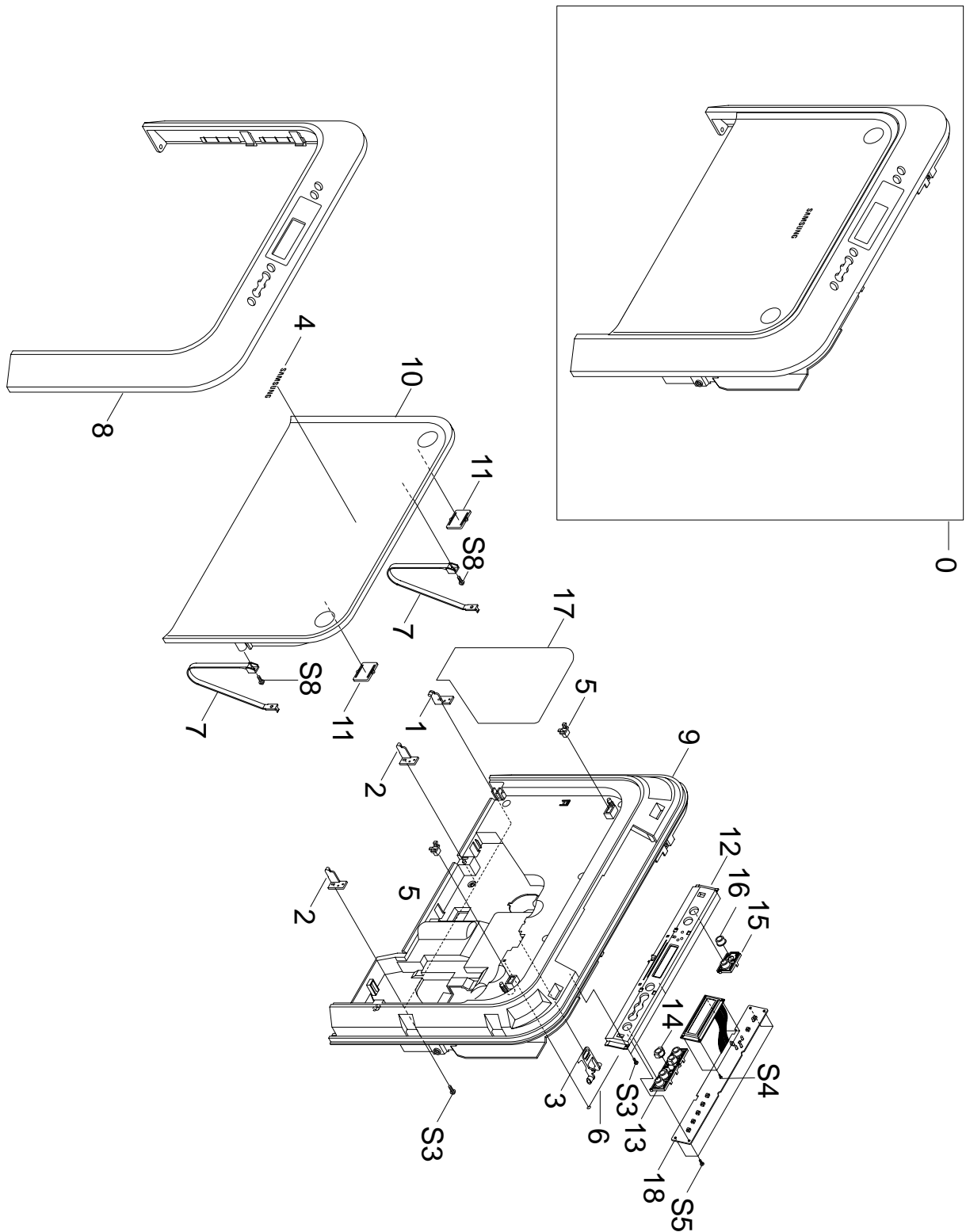
## Main Assembly Parts List

SA : Service Available

O : Service available X : Service not available

No.	Description	SEC.Code	Q'ty	SA	Remark
34	BUSH-8/5	JC61-00426A	1	O	
35	SHEET-COVER FRONT OPE	JC63-00184A	1	O	
36	SHEET-HVPS	JC63-00234A	1	O	
37	PMO-COVER SMPS	JC72-01067A	1	O	
38	GEAR-OPC DRIVE 2_Z40	JC66-00478A	1	O	
39	CAM-T2 ENGAGE	JC66-00512A	1	O	
40	SHAFT-COVER EXIT HINGE	JC66-00616A	2	O	
41	IPR-BRKT GUIDE ECU C	JC70-00382A	1	O	
42	IPR-BRKT ECU LOWER	JC70-00409A	1	O	
43	MEA UNIT-BRKT ECU UPPER	JC97-01760A	1	O	
43-1	IPR-BRKT ECU UPPER	JC70-00410A	1	O	
43-2	IPR-BRKT ECU OPTION	JC70-00411A	1	O	
43-S9	SCREW-TAPTITE	6003-000266	2	X	
44	ELA UNIT-SCF	JC96-02856A	1	O	OPTION
45	PMO-COVER SENSOR BASE	JC72-01147A	1	O	
46	PMO-HARNESS C	JC72-01165A	1	O	
47	PMO-HARNESS D	JC72-01166A	1	O	
48	CABLE CLAMP	6502-001093	2	X	
49	MEA UNIT-LSU CLEANER	JC97-01838A	1	O	
49-1	SHUTTER-LSU CLEANER	JC64-00093A	1	O	
49-2	SHAFT-LSU CLEANER	JC66-00673A	1	X	
49-3	RING-E	6044-000121	2	X	
49-4	PLATE-LINK REAR	JC61-00843A	1	O	
49-5	PLATE-LINK FRONT	JC61-00844A	1	O	
51	PMO-DEVE OPEN LINK GUIDE	JC72-01176A	1	O	
52	PMO-COVER LSU/DEVE	JC63-00308A	1	O	
54	ELA UNIT-T2 ROLLER	JC96-02793A	1	O	
55	IPR-BRKT SMPS COVER	JC70-00416A	1	O	
56	MEA UNIT-DUCT FUSER	JC97-01811A	1	O	
56-1	PMO-DUCT FUSER LOWER	JC72-01150A	1	X	
56-2	PMO-DUCT FUSER UPPER	JC72-01151A	1	X	
56-S8	SCREW-TAPTITE	6003-000196	1	X	
57	MEA UNIT-WASTE TONER TANK	JC97-01821A	1	O	
<del>57-1</del>	<del>COVER-M-WASTE TONER UPPER</del>	JC63-00271A	1	O	
<del>57-2</del>	<del>COVER M WASTE TONER LOWER</del>	JC63-00272A	1	O	
<del>57-3</del>	<del>CAP-TONER OPC</del>	JC67-00044A	2	O	
S2	SCREW-TAPPING	6002-000115	2	X	
S5	SCREW-TAPTITE	6003-000119	6	X	
S8	SCREW-TAPTITE	6003-000196	50	X	
S9	SCREW-TAPTITE	6003-000266	21	X	
S14	SCREW-TAPTITE	6003-001256	11	X	
S15	SCREW-MACHINE	6001-000568	2	X	

## 9.2 Cover Front Exploded View



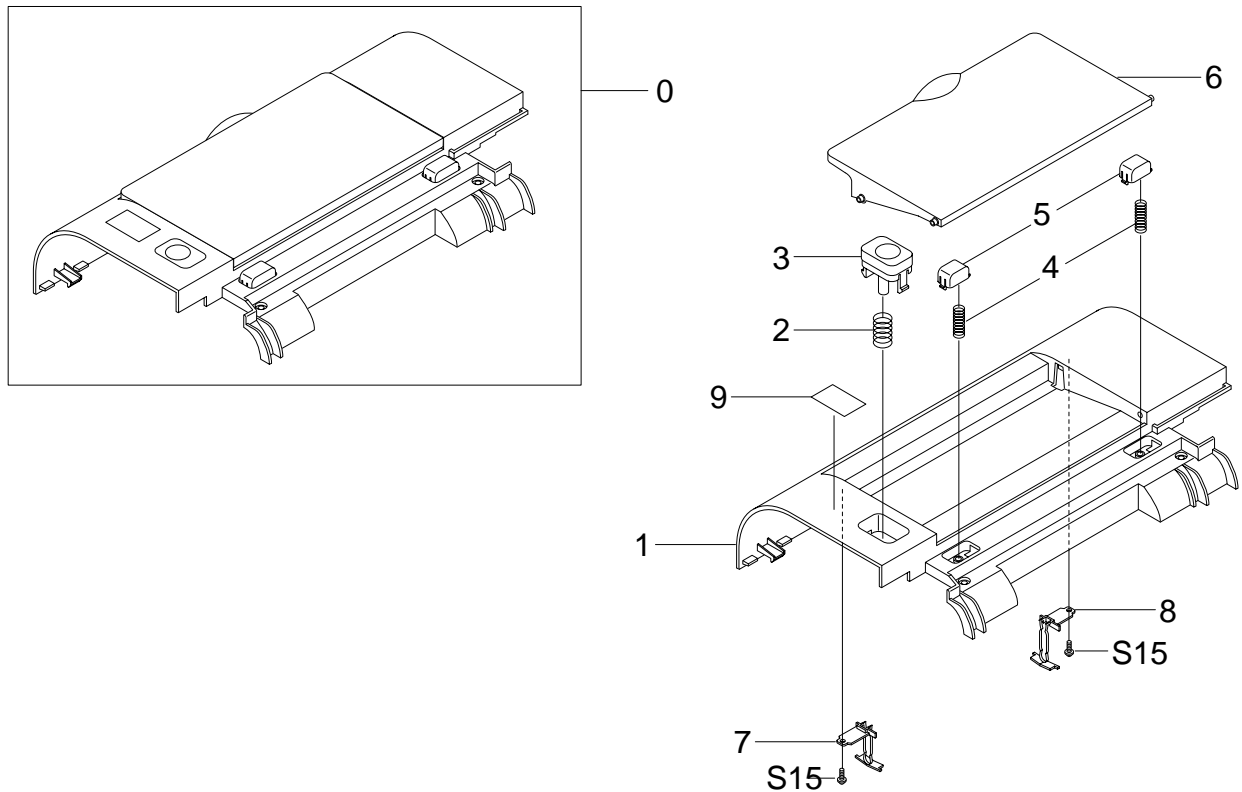
## Cover Front Assembly Parts List

SA : Service Available

O : Service available X : Service not available

No.	Description	SEC.Code	Q'ty	SA	Remark
0	ELA HOU-COVER FRONT	JC96-02798A	1	X	XAA
	ELA HOU-COVER FRONT	JC96-02798B	1	X	XEU
1	COVER-FRONT HINGE F	JC63-00179A	1	X	
2	COVER-FRONT HINGE R	JC63-00180A	2	X	
3	LOCKER-M-WASTER TANK	JC64-00080A	1	X	
4	BADGE-BRAND	JC64-00081A	1	O	
5	LOCKER-LATCH PUSH	JB64-00007A	2	X	
6	LOCKER-TANK PIN	JC64-00087A	1	X	
7	PMO-TIE STOPPER	JC72-00766A	2	X	
8	PMO-COVER FRONT DECO	JC72-01192A	1	O	XAA
	PMO-COVER FRONT DECO	JC72-01192B	1	O	XEU
9	PMO-COVER FRONT INNER	JC72-01193A	1	X	
10	PMO-COVER FRONT OPEN	JC72-01194A	1	X	
11	PMO-COVER FRONT PUSH	JC72-01195A	2	X	
12	PMO-COVER OPE FRAME	JC72-01196A	1	X	
13	PMO-OPE KEY 1	JC72-01197A	1	X	
14	PMO-OPE KEY 1 CAP	JC72-01198A	1	X	
15	PMO-OPE KEY 2	JC72-01199A	1	X	
16	PMO-OPE KEY 2 CAP	JC72-01200A	1	X	
17	LABEL(P)-FRONT INNER	JC68-01175A	1	X	
18	PBA SUB-PANEL	JC92-01443A	1	O	
S4	SCREW-TAPTITE	6002-000308	2	X	
S5	SCREW-TAPTITE	6003-000119	6	X	
S8	SCREW-TAPTITE	6003-000196	2	X	
S3	SCREW-TAPPING	6002-000175	4	X	

## 9.3 Cover Top Exploded View



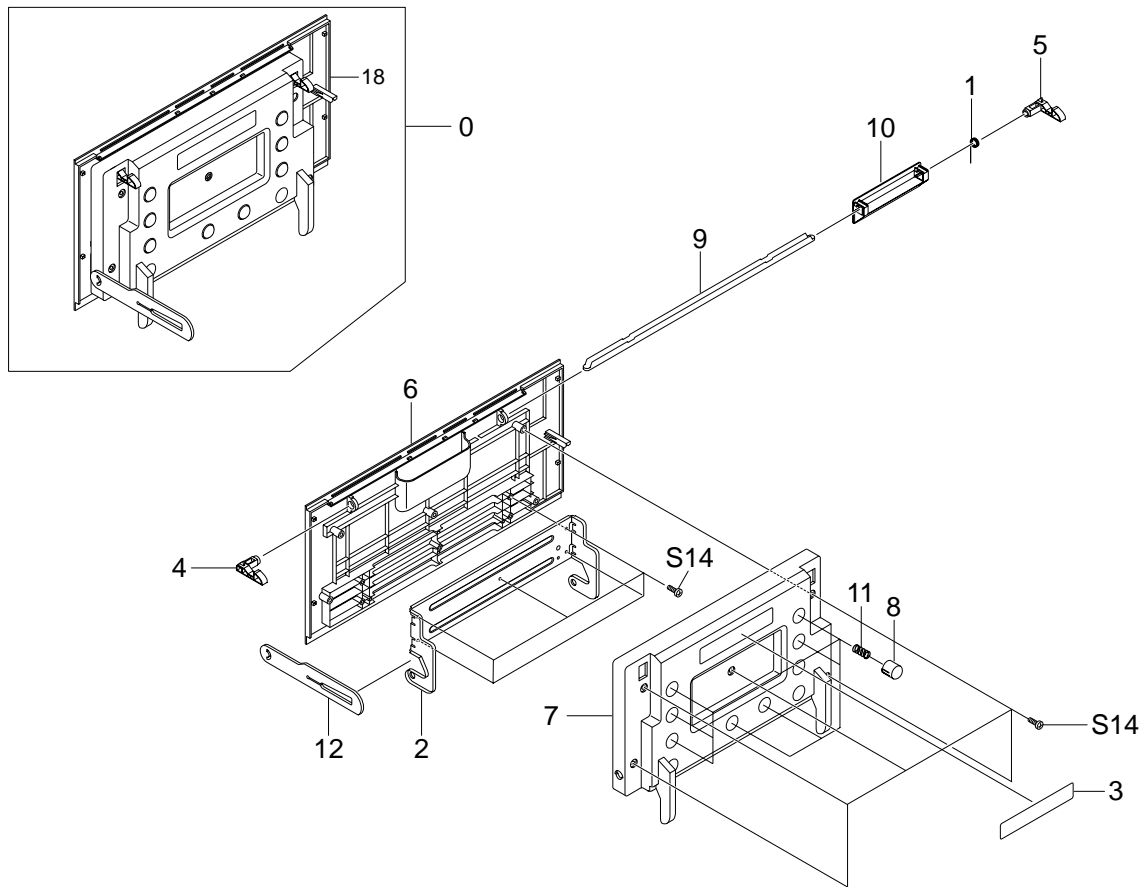
### Cover Top Assembly Parts List

SA : Service Available

O : Service available X : Service not available

No.	Description	SEC.Code	Q'ty	SA	Remark
0	MEA HOU-COVER TOP	JC97-01765A	1	O	
1	PMO-COVER TOP	JC72-01204A	1	X	
2	SPRING-CS	6107-000117	1	X	
3	PMO-COVER TOP BUTTON	JC72-01205A	1	X	
4	SPRING-CS	6107-001198	2	X	
5	PMO-COVER TOP OPENER	JC72-01206A	2	X	
6	PMO-COVER TOP STACKER	JC72-01207A	1	O	
7	STOPPER-STACKER F	JC61-00714A	1	X	
8	STOPPER-STACKER R	JC61-00715A	1	X	
9	LABEL(P)-TOP	JC68-01181A	1	X	
S15	SCREW-TAPTITE	6003-000261	2	X	

## 9.4 Cover Deve Exploded View



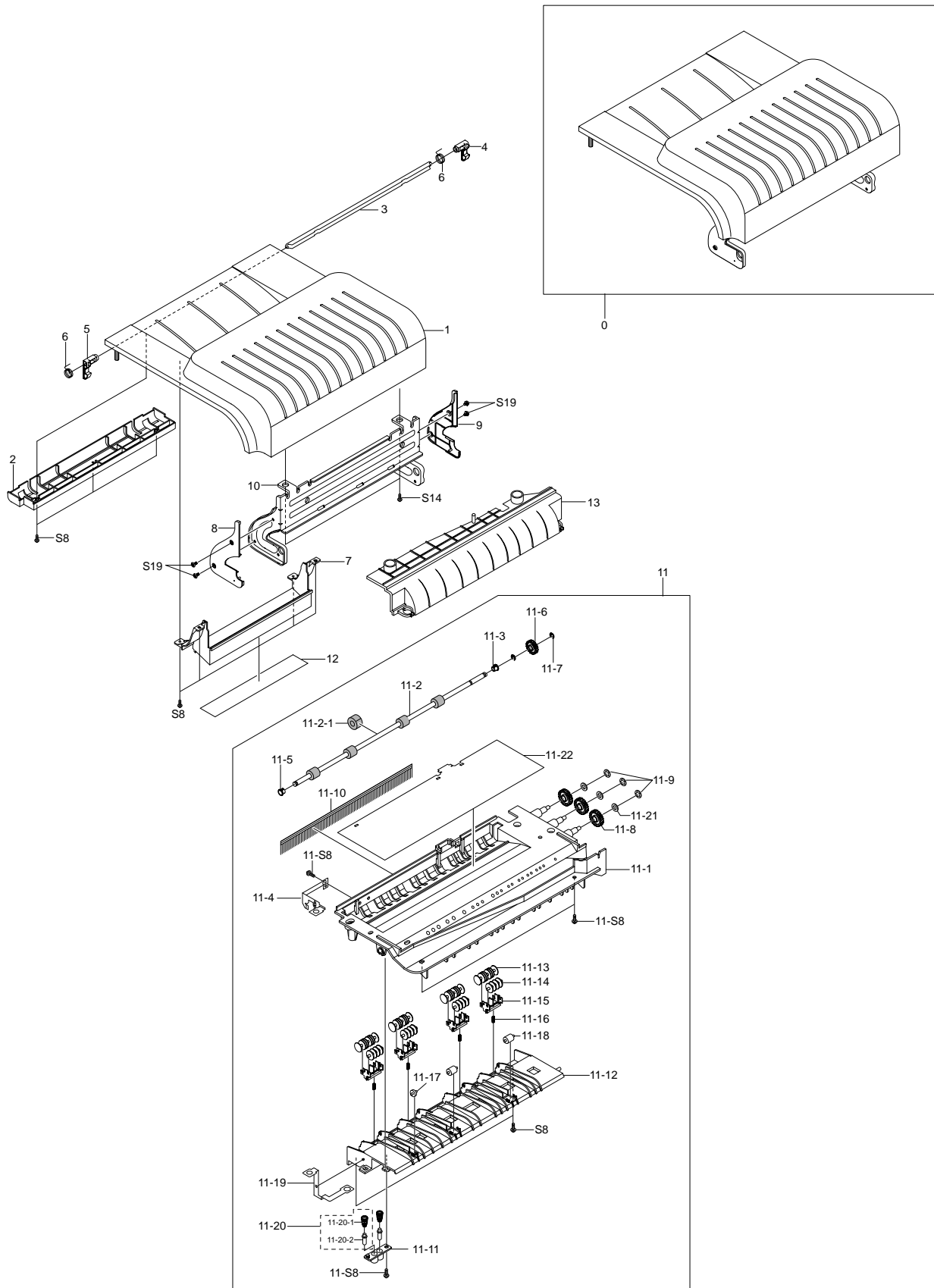
### Cover Deve Assembly Parts List

SA : Service Available

O : Service available X : Service not available

No.	Description	SEC.Code	Q'ty	SA	Remark
0	MEA HOU-COVER DEVE	JC97-01766A	1	O	
1	SPRING-TS	6107-001206	1	X	
2	IPR-COVER DEV LOCK BAR	JC70-00436A	1	X	
3	LABEL(P)-DEVE COVER	JC68-01180A	1	X	
4	PMO-COVER DUP LOCKER F	JC72-01081A	1	O	
5	PMO-COVER DUP LOCKER R	JC72-01082A	1	X	
6	PMO-COVER DEVE	JC72-01213A	1	X	
7	PMO-COVER DEVE INNER	JC72-01214A	1	X	
8	PMO-COVER DEV SPRING CAP	JC72-01215A	8	X	
9	ARM-COVER DEVE HINGE	JC66-00563A	1	X	
10	PMO-COVER DUPLEX HANDLE	JC72-01079A	1	X	
11	SPRING-CS	6107-01198A	8	X	
12	PMO-DEVE OPEN LINK	JC72-01175A	1	X	
S14	SCREW-TAPTITE	6003-001256	10	X	

## 9.5 Exit Ass'y Exploded View





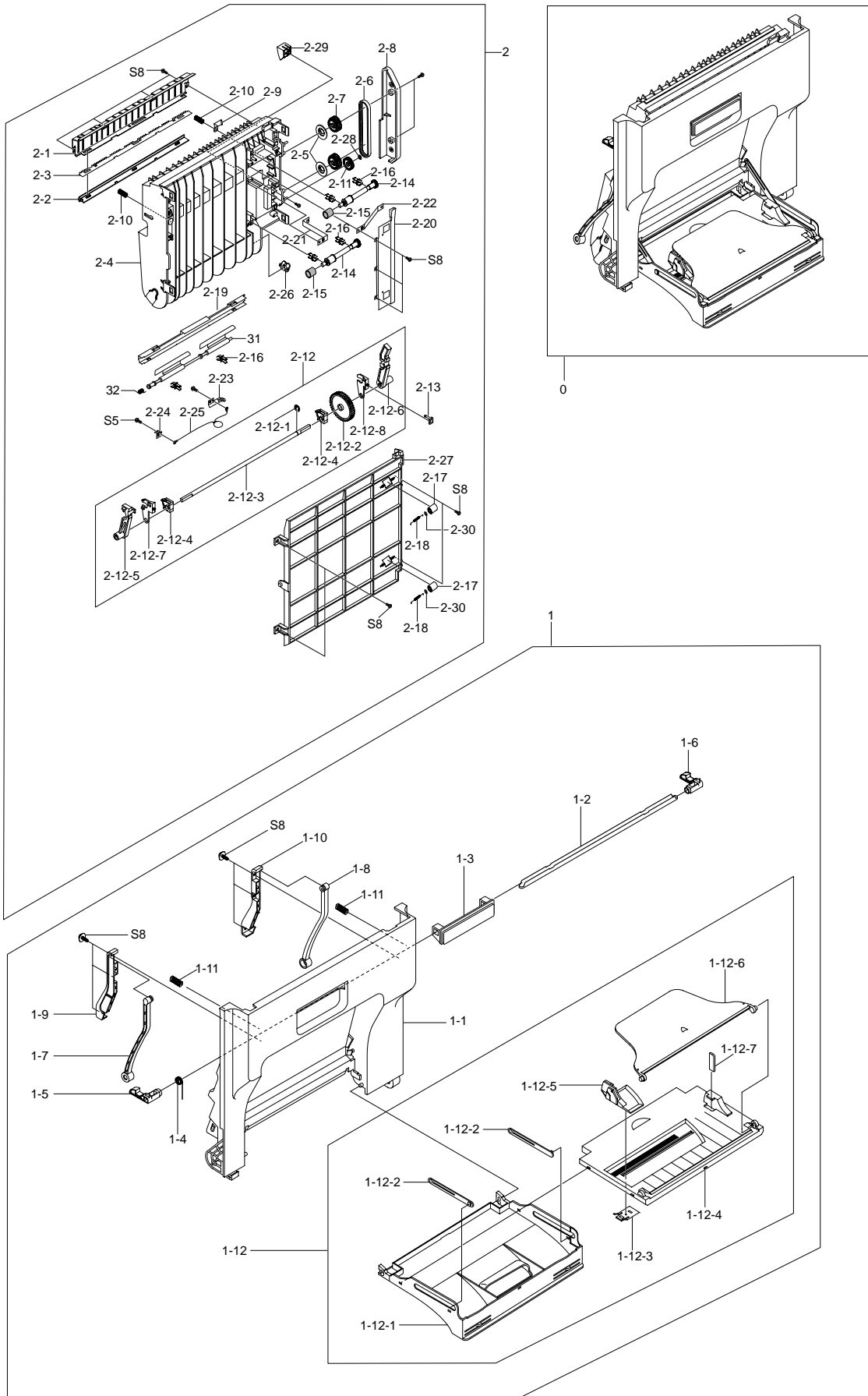
## Exit Ass'y Assembly Parts List

SA : Service Available

O : Service available X : Service not available

No.	Description	SEC.Code	Q'ty	SA	Remark
0	MEA-EXIT	JC97-01754A	1	O	
1	PMO-COVER EXIT	JC72-01099A	1	O	
2	PMO-C/EXIT LOCK COVER	JC72-01217A	1	O	
3	IPR-COVER EXIT BAR	JC70-00440A	1	O	
4	PMO-COVER DUP LOCKER F	JC72-01081A	1	X	
5	PMO-COVER DUP LOCKER R	JC72-01082A	1	X	
6	SPRING-TS	6107-001209	2	X	LOCKER
7	PMO-COVER EXIT GUIDE	JC72-01098A	1	O	
8	PMO-COVER EXIT F CAP	JC72-01097A	1	O	
9	COVER-EXIT R CAP	JC63-00174A	1	O	
10	IPR-COVER EXIT HINGE	JC70-00372A	1	O	
11	MEA UNIT-EXIT FRAME	JC97-01763A	1	O	
11-1	PMO-GUIDE EXIT UPPER	JC72-01103A	1	O	
11-2	ROLLER-EXIT DRIVE	JC66-00607A	1	O	
11-2-1	ROLLER-EXIT-IDLE	JC66-00694A	1	X	
11-3	PMO-BEARING LARGE DP	JC72-00885A	1	O	
11-4	IPR-GROUND EXIT	JC70-00374A	1	O	
11-5	PMO-BEARING LARGE DP	JC72-40978A	1	O	
11-6	GEAR-DUPLEX	JC66-40912A	1	O	
11-7	RING-C	6044-000159	1	X	
11-8	GEAR-DP,IDLE	JC66-40911A	3	X	
11-9	RING-CS	6044-000001	3	X	
11-10	BRUSH ANTISTATIC	JC67-00065A	1	O	
11-11	PMO-HOLDER GROUND BALL	JC72-01233A	1	O	
11-12	PMO-GUIDE EXIT LOWER	JC72-01102A	1	O	
11-13	PMO-ROLLER FD F	JC72-41007A	4	O	
11-14	PMO-ROLLER FD R	JC72-41008A	4	O	
11-15	HOLDER-EXIT(MC)	JC61-00547A	4	O	
11-16	SPRING ETC-EXIT LOWER IDLE	JC61-00484A	4	O	
11-17	ROLLER-EXIT IDLE	JC66-00608A	1	O	
11-18	PEX-ROLLER EXIT F_UP	JC72-20901A	2	O	
11-19	IPR-GROUND EXIT PLATE	JC70-00375A	1	O	
11-20	MEA UNIT-TERMINAL:L	JC97-01410A	2	O	
11-20-1	SPRING ETC-HV SMALL	JC61-70930A	1	O	
11-20-2	ICT-SHAFT HV LARGE	JC70-40912A	1	O	
11-21	SPRING-ETC-CLUTCH	JB61-70922A	3	O	
11-22	SHEET-EXIT UPPER	JC63-00265A	1	O	
11-S8	SCREW-TAPTITE	6003-000196	4	X	
12	LABEL(P)-EXIT	JC68-01150A	1	X	
13	GUIDE-EXIT REAR	JC61-00850A	1	O	
S8	SCREW-TAPTITE	6003-000196	12	X	
S14	SCREW-TAPTITE	6003-001256	2	X	
S19	SCREW-TAPTITE	6003-000008	4	X	

# 9.6 Duplex Ass'y Exploded View



## Duplex Ass'y Assembly Parts List

SA : Service Available

O : Service available X : Service not available

No.	Description	SEC.Code	Q'ty	SA	Remark
0	MEA-DUPLEX	JC97-01756A	1	O	
1	MEA HOU-COVER RIGHT	JC97-01758A	1	O	
1-1	PMO-COVER DUPLEX	JC72-01078A	1	O	
1-2	IPR-COVER DUP LOCK SHAFT	JC70-00370A	1	O	
1-3	PMO-COVER DUPLEX HANDLE	JC72-01079A	1	X	
1-4	SPRING-TS	6107-001206	1	O	
1-5	PMO-COVER DUP LOCKER F	JC72-01081A	1	X	
1-6	PMO-COVER DUP LOCKER R	JC72-01082A	1	X	
1-7	PMO-COVER DUPLEX LINK	JC72-01080A	1	O	
1-8	COVER-DUPLEX LINK R	JC63-00172A	1	O	
1-9	PMO-COVER DUPLEX RAIL	JC72-01083A	1	O	
1-10	COVER-DUPLEX RAIL R	JC63-00173A	1	O	
1-11	SPRING CS(FEED)	6107-001944	2	O	
1-12	MEA UNIT-TRAY MP	JC97-01759A	1	O	
1-12-1	PMO-TRAY CASE MP	JC72-01096A	1	X	
1-12-2	PMO-TRAY LINK MP	JC72-00857B	2	X	
1-12-3	IPR-GUIDE LATCH	JB70-10906A	1	X	
1-12-4	PMO-TRAY COVER MP	JC72-00777B	1	O	
1-12-5	PMO-SIDE GUIDE MP	JC72-00547H	1	X	
1-12-6	PMO-TRAY EXIT MP	JC72-00778B	1	X	
1-12-7	LABEL(R)-HEIGHT,MP	JC68-00697A	1	X	
2	MEA UNIT-DUPLEX	JC97-01828A	1	O	
2-1	IPR-BRKT GUIDE A	JC70-00361A	1	O	
2-2	HOLDER-M-SAW	JC61-00841A	1	O	
2-3	IPR-PLATE SAW	JC70-10232A	1	O	
2-4	PMO-FRAME DUPLEX	JC72-01084A	1	O	
2-5	PMO-PULLEY BELT	JC72-01094A	2	O	
2-6	BELT-TIMMING	JC66-20901A	1	O	
2-7	GEAR-DUPLEX IDLER_Z25	JC66-00513A	2	O	
2-8	PMO-COVER BELT	JC72-01077A	1	O	
2-9	IPR-BRKT GROUND TR	JC70-00367A	1	O	
2-10	SPRING-CS(ETC-TR)	6107-001202	2	X	
2-11	GEAR-MP/DUP DRV	JC66-00346A	1	O	
2-12	MEA UNIT-T2	JC97-01761A	1	O	
2-12-1	RING-E	6044-000231	1	X	
2-12-2	GEAR-TRANSFER IDLER_Z47	JC66-00515A	1	X	
2-12-3	SHAFT-GUIDE TR	JC66-00619A	1	X	
2-12-4	PMO-HOLDER TRANSFER	JC72-01087A	2	X	
2-12-5	PMO-LEVER TR FRONT	JC72-01090A	1	X	
2-12-6	PMO-LEVER TR REAR	JC72-01091A	1	X	
2-12-7	PMO-LINK TR FRONT	JC72-01092A	1	X	
2-12-8	PMO-LINK TR REAR	JC72-01093A	1	O	

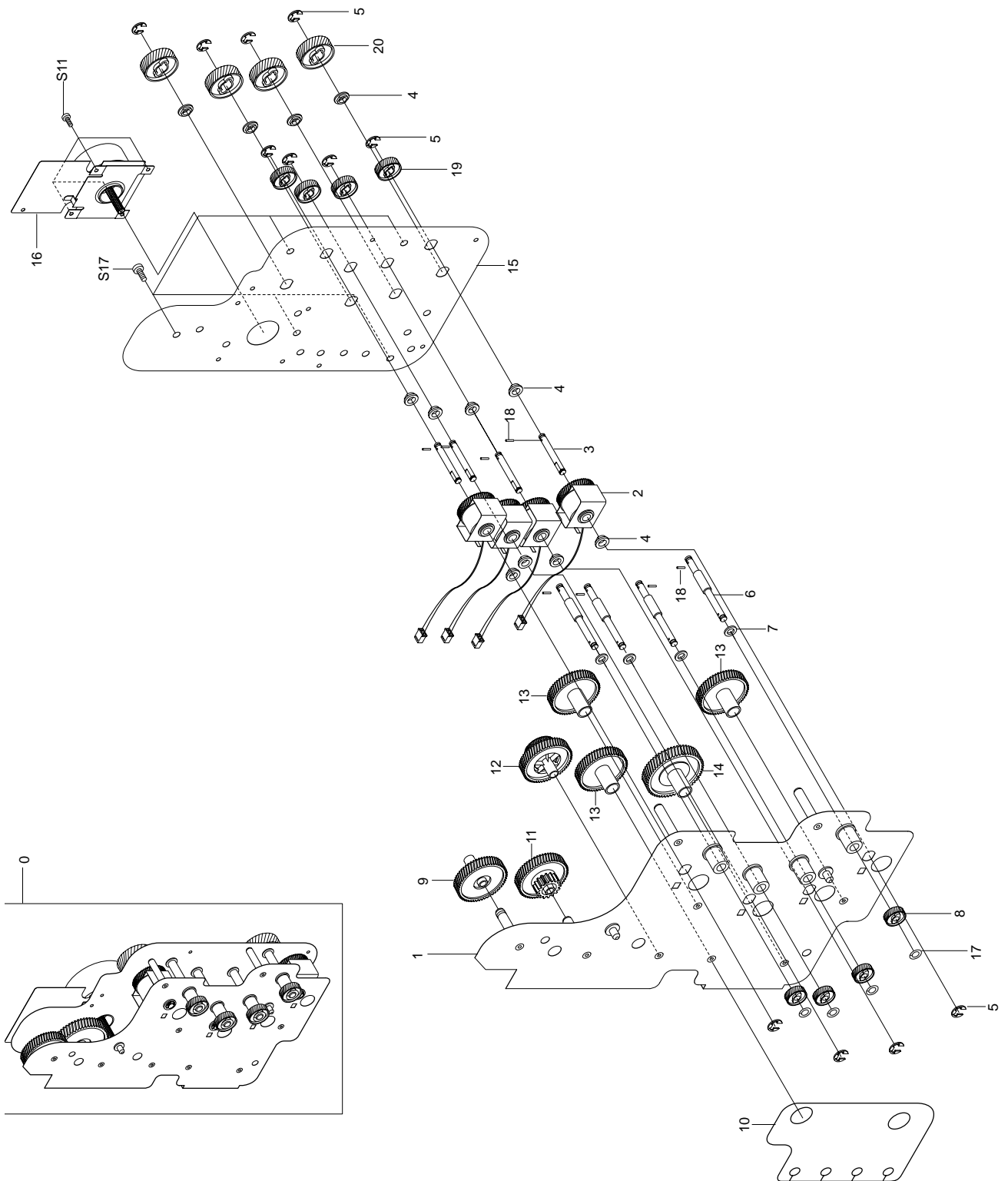
## Duplex Ass'y Assembly Parts List

SA : Service Available

O : Service available X : Service not available

No.	Description	SEC.Code	Q'ty	SA	Remark
2-13	IPR-BRKT GROUND TR1	JC70-00368A	1	O	
2-14	PMO-SHAFT DUP DRIVER	JC72-00764A	2	O	
2-15	RPR-RUBBER EXIT	JC73-10203A	2	O	
2-16	PMO-BUSHING TX(B4)	JG72-40744A	6	O	
2-17	PMO-ROLLER_EXIT	JC72-40361A	2	O	
2-18	SPRING ETC-FUSER EXIT	JC61-70976A	2	O	
2-19	IPR-BRKT GUIDE B	JC70-00362A	1	O	
2-20	IPR-BRKT GUIDE DUPLEX	JC70-00369A	1	O	
2-21	IPR-BRKT GROUND B	JC70-00364A	1	O	
2-22	IPR-BRKT GROUND A	JC70-00363A	1	O	
2-23	IPR-BRKT GROUND D	JC70-00366A	1	O	
2-24	IPR-BRKT GROUND C	JC70-00365A	1	O	
2-25	CBF HARNESS-OPE GROUND	JC39-00036A	1	O	
2-26	PMO-BUSHING FEED	JC72-00730A	1	O	
2-27	PMO-GUIDE LOWER DUPLEX	JC72-01086A	1	O	
2-28	RING-CS	6044-000001	1	O	
2-29	PMO-GUIDE FEED	JC72-01085A	1	O	
2-30	WASHER-PLAIN	6031-001051	1	X	
2-31	GUIDE-M-PAPER T2	JC61-00866A	2	X	
2-32	SPRING ETC-ACTUATOR6G	JC61-00485A	1	X	
S5	SCREW-TAPTITE	6003-000119	19	X	
S8	SCREW-TAPTITE	6003-000196	19	X	

# 9.7 Deve-Drive Ass'y Exploded View



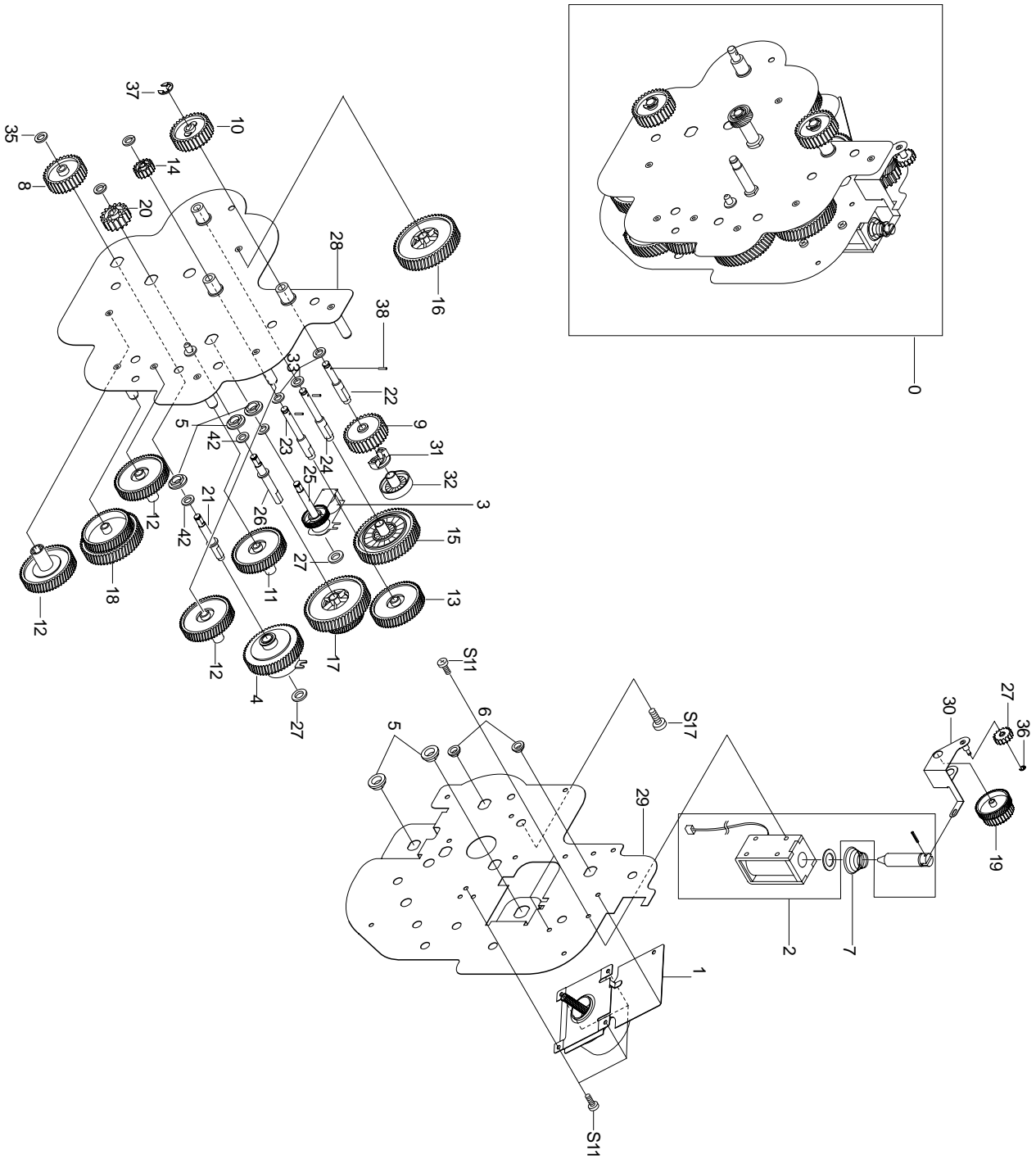
## Deve-Drive Ass'y Assembly Parts List

SA : Service Available

O : Service available X : Service not available

No.	Description	SEC.Code	Q'ty	SA	Remark
0	ELA UNIT-DEVE DRIVE	JC96-02772A	1	O	
1	IPR-BRKT-DEVE FRONT	JC70-00342A	1	O	
2	MEP-CLUTCH SPRING DEVE	JC47-00006A	4	O	
3	SHAFT-DEVE CLUTCH	JC66-00544A	4	O	
4	BUSH-D6/L4	JC61-00699A	12	X	
5	RING-E	6044-000125	12	O	
6	SHAFT-DEVE DRIVE	JC66-00545A	4	X	
7	WASHER-PLAIN	6031-000023	4	O	
8	GEAR-DEVE DRIVE 2_Z20	JC66-00465A	4	O	
9	GEAR-DEVE IDLE Z51	JC66-00473B	1	O	
10	SHEET-HARNES GUIDE	JC63-00264A	1	O	
11	GEAR-ITB CLEAN RDCN	JC66-00469A	1	O	
12	GEAR-DEVE RDCN	JC66-00468A	1	O	
13	GEAR-DEVE IDLE_Z41	JC66-00466A	3	O	
14	GEAR-DEVE IDLE_Z53	JC66-00467A	1	O	
15	IPR-BRKT-DEVE REAR	JC70-00343A	1	O	
16	MOTOR DC-MAIN(BLDC)	JC31-00021 A	1	O	
17	WASHER-PLAIN	6031-001255	4	O	
18	ICT-PIN ADF	JB70-00168A	12	O	
19	GEAR-DEVE DRIVE 1_Z25	JC66-00464A	4	O	
20	GEAR-DEVE CLUTCH 2_Z33	JC66-00463A	4	O	
S11	SCREW-TAPTITE	6003-000269	4	X	
S17	SCREW-TAPTITE	6003-000301	5	X	

# 9.8 Main-Drive Ass'y Exploded View



## Main-Drive Ass'y Assembly Parts List

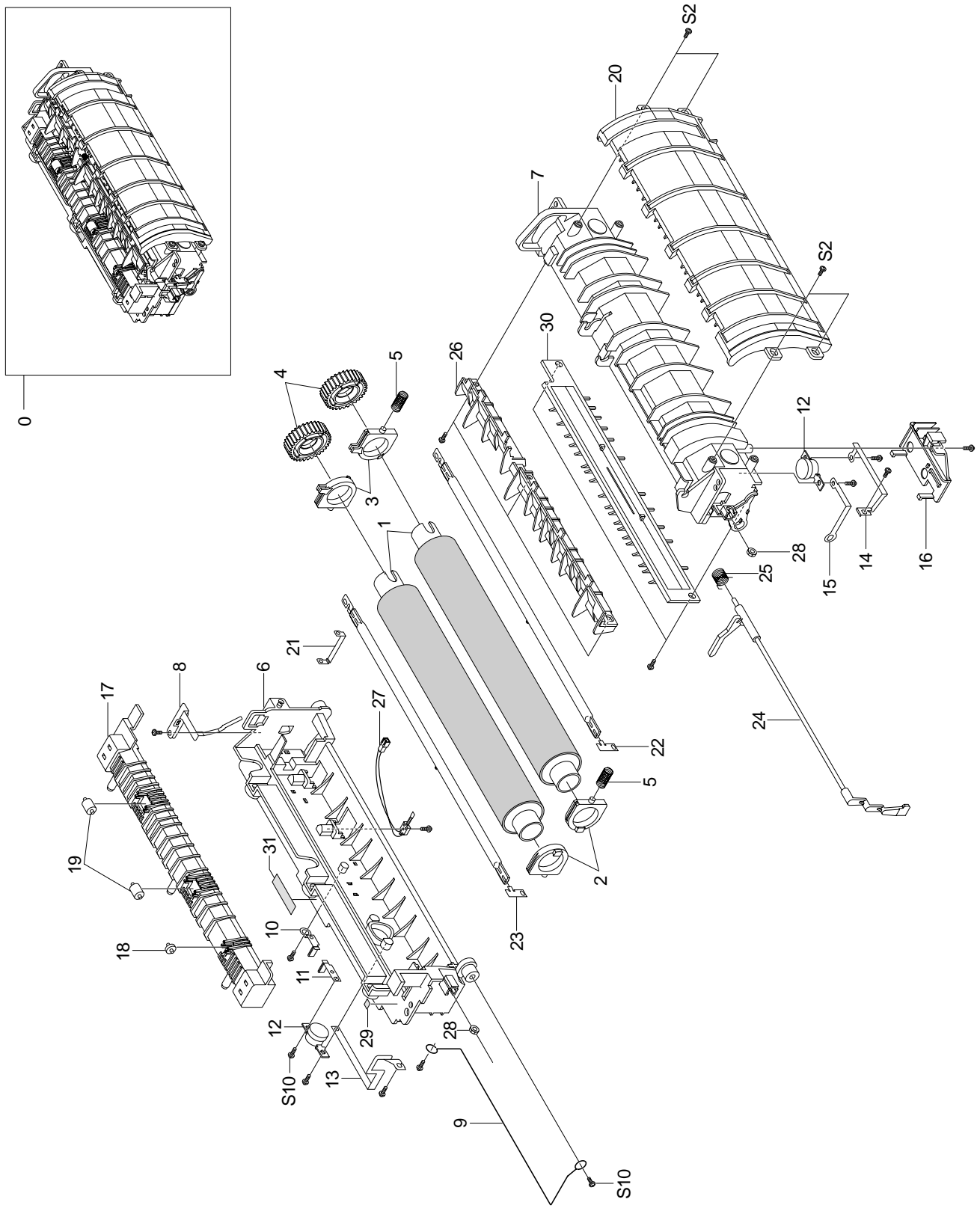
SA : Service Available

O : Service available X : Service not available

No.	Description	SEC.Code	Q'ty	SA	Remark
0	ELA UNIT-MAIN DRIVE	JC96-02771A	1	O	
1	MOTOR DC-MAIN(BLDC)	JC31-00021A	1	O	
2	SOLENOID-DUPLEX	JC33-00008B	1	O	
3	MEP-CLUTCH CAM SOLENOID	JC47-00007A	1	O	
4	MEP-CLUTCH ELECTRIC FEED	JC47-00008A	1	O	
5	BUSH-8/5	JC61-00426A	3	O	
6	BUSH-D6/L4	JC61-00699A	6	O	
7	SPRING ETC-SOLENOID DP	JC61-70915A	1	O	
8	GEAR-FEED DRIVE_Z37	JC66-00470A	1	O	
9	GEAR-FUSER DRIVE 1_Z47	JC66-00471A	1	O	
10	GEAR-FUSER DRIVE 2_Z30	JC66-00472A	1	O	
11	GEAR-IDLE Z51	JC66-00473A	1	O	
12	GEAR-IDLE Z53	JC66-00474A	3	O	
13	GEAR-ITB DRIVE 1_Z90	JC66-00475A	1	O	
14	GEAR-ITB DRIVE 2_Z30	JC66-00476A	1	O	
15	GEAR-OPC DRIVE 1_Z120	JC66-00477A	1	O	
16	GEAR-OPC RDCN_Z120/Z60	JC66-00479A	1	O	
17	GEAR-RDCN Z110/Z37	JC66-00480A	1	O	
18	GEAR-RDCN Z62/Z48	JC66-00481A	1	O	
19	GEAR-SWING DRIVE	JC66-00482A	1	O	
20	GEAR-T2 DRIVE_Z25	JC66-00483A	1	O	
21	SHAFT-FEED DRIVE	JC66-00546A	1	O	
22	SHAFT-FUSER DRIVE	JC66-00547A	1	X	
23	SHAFT-ITB DRIVE	JC66-00549A	1	O	
24	SHAFT-OPC DRIVE	JC66-00550A	1	O	
25	SHAFT-T2 CAM	JC66-00551A	1	O	
26	SHAFT-T2 DRIVE	JC66-00552A	1	O	
27	"GEAR-EXIT/U,ID"	JC66-40211B	1	O	
28	IPR-BRKT MAIN FRONT	JC70-00341A	1	O	
29	IPR-BRKT MAIN REAR	JC70-00344A	1	O	
30	IPR-LINK SOLENOID	JC70-00346A	1	O	
31	PMO-HUB CLUTCH	JC72-01064A	1	O	
32	PMO-DUMMY CLUTCH	JC72-01232A	1	O	
33	WASHER-PLAIN	6031-000023	3	X	
34	WASHER-PLAIN	6031-001002	4	X	"ITB,Feed,T2"
35	WASHER-PLAIN	6031-001255	3	X	
36	RING-C	6044-000159	1	X	
37	RING-E	6044-000231	1	X	Fuser
38	ICT-PIN ADF	JB70-00168A	2	X	
42	WASHER-PLAIN	6031-001491	4	O	
S11	SCREW-TAPTITE	6003-000269	4	X	Motor + Brkt - Rear
S11	SCREW-TAPTITE	6003-000269	2	X	Solenoid - Duplex + Brkt - Rear
S17	SCREW-TAPTITE	6003-000301	4	X	



# 9.9 Fuser Ass'y Exploded View



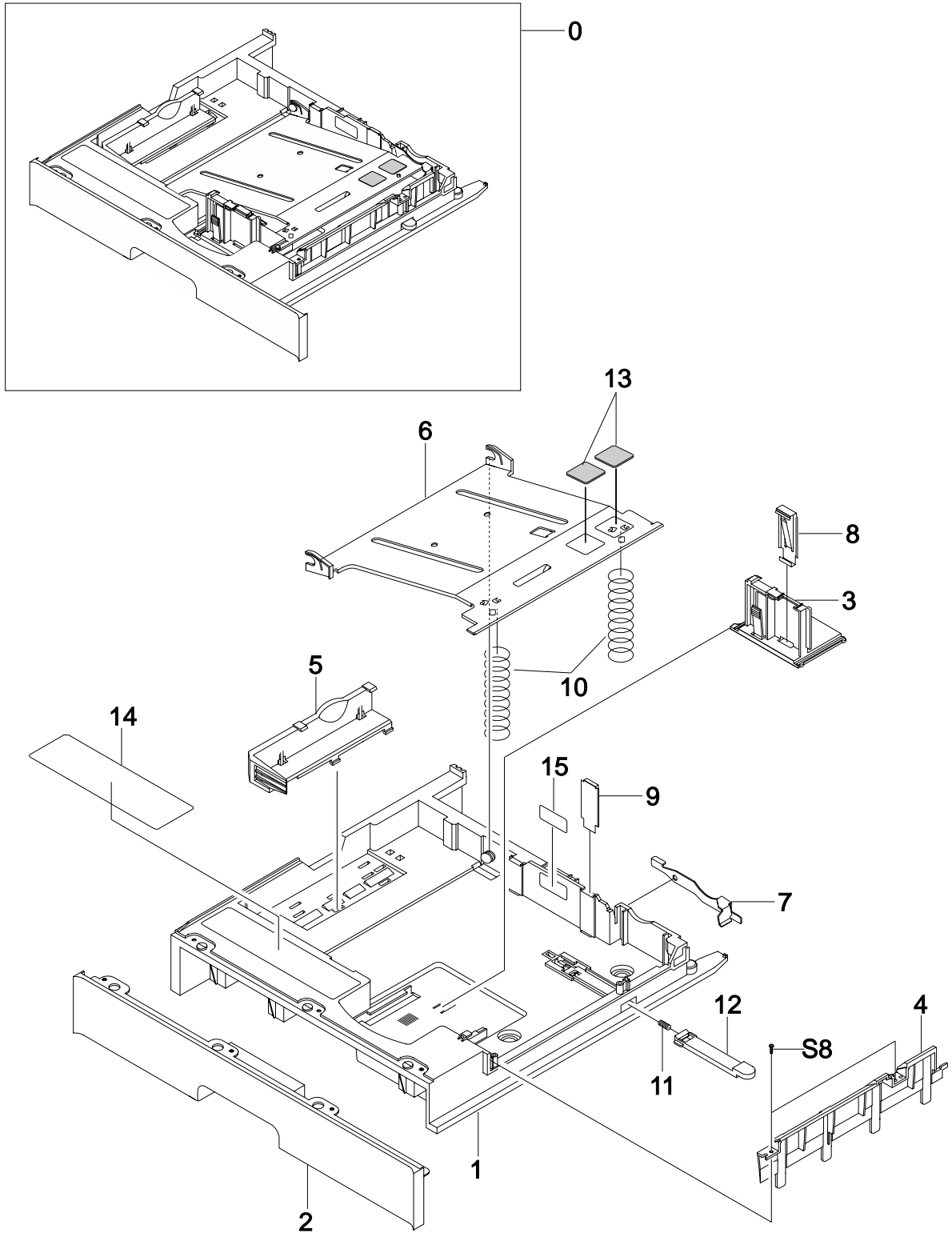
## Fuser Ass'y Assembly Parts List

SA : Service Available

O : Service available X : Service not available

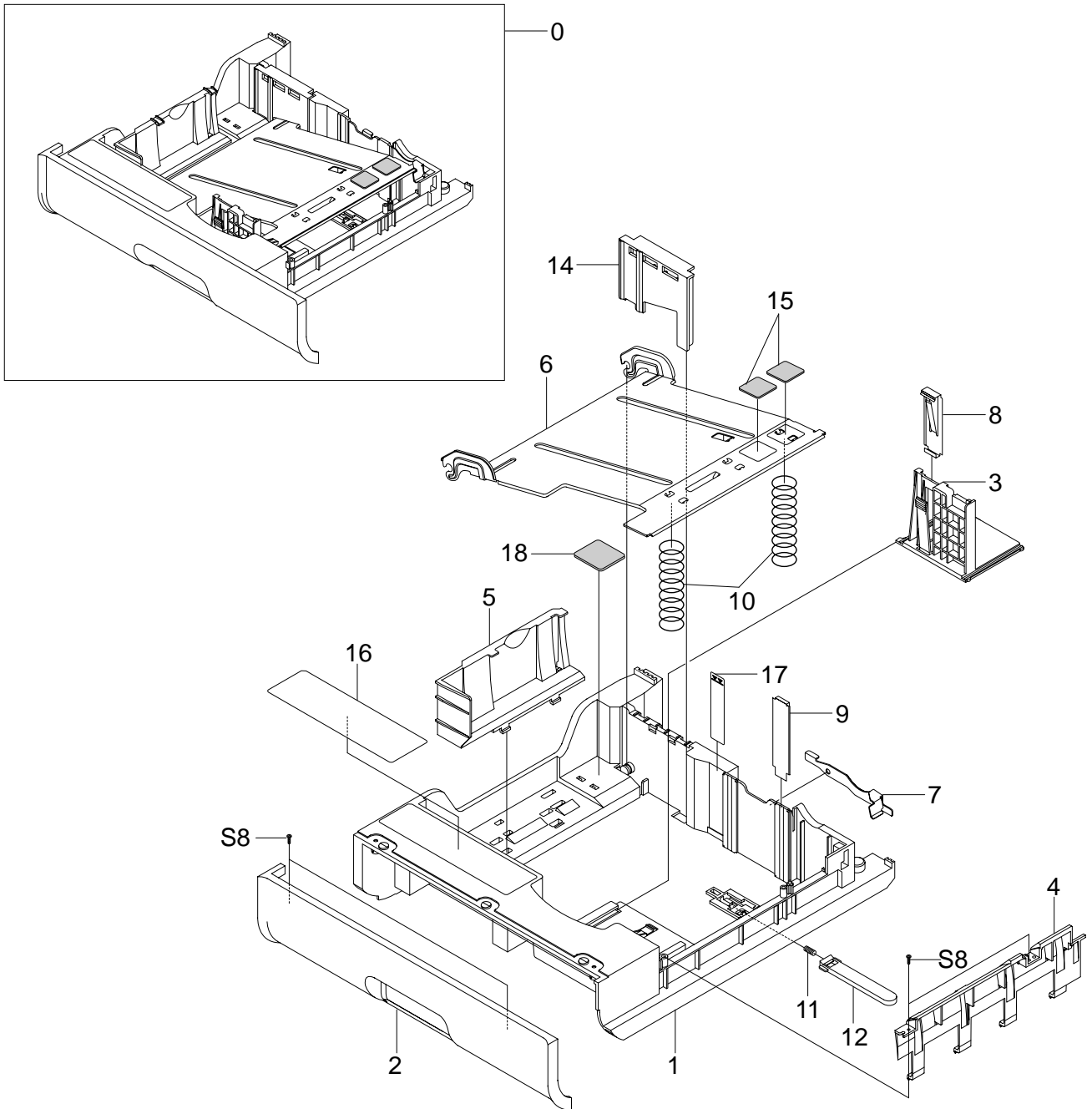
No.	Description	SEC.Code	Q'ty	SA	Remark
0	ELA UNIT-FUSER	JC96-02773A	1	O	220V
	ELA UNIT-FUSER	JC96-02773B	1	O	110V
1	ROLLER-HEAT	JC66-00516A	2	X	
2	PMO-BEARING FUSER F	JC72-01058A	2	X	
3	PMO-BEARING FUSER GEAR	JC72-01059A	2	X	
4	GEAR-FUSER_Z35	JC66-00510A	2	X	
5	SPRING ETC-PR	6107-001193	2	X	
6	PMO-FUSER UPPER	JC72-01061A	1	X	
7	PMO-FUSER LOWER	JC72-01062A	1	X	
8	IPR-GROUND FUSER	JC70-00355A	1	X	
9	NPR-ELECTRODE AC WIRE	JC71-00043A	1	O	
10	NPR-ELECTRODE GEAR	JC71-00047A	1	O	
11	NPR-ELECTRODE M	JC71-00048A	1	O	
12	THERMOSTAT	4712-000001	2	O	
13	NPR-ELECTRODE F	JC71-00046A	1	O	
14	NPR-ELECTRODE PR	JC71-00049A	1	O	
15	NPR-ELECTRODE AC PLATE	JC71-00044A	1	O	
16	PMO-COVER THERMOSTAT	JC72-01055A	1	O	
17	PMO-COVER CLEANING	JC72-01060A	1	O	
18	ROLLER-EXIT IDLE	JC66-00608A	1	O	
19	PEX-ROLLER EXIT F_UP	JC72-20901A	2	O	
20	PMO-GUIDE DP SIDE	JC72-01100A	1	O	
21	NPR-ELECTRODE CONNECTOR	JC71-00045A	1	O	
22	LAMP-HALOGEN, 300W	4713-001178	1	O	220V
	LAMP-HALOGEN, 300W	4713-001177	1	O	110V
23	LAMP-HALOGEN, 500W	4713-001176	1	O	220V
	LAMP-HALOGEN, 500W	4713-001175	1	O	110V
24	PMO-ACTUATOR EXIT	JC72-01056A	1	O	
25	SPRING ETC-ACTUATOR	6107-001205	1	X	
26	PMO-GUIDE OUTPUT	JC72-01063A	1	O	
27	THERMISTOR-NTC	1404-001310	1	O	
28	NUT-HEXAGON	6021-000222	4	X	
29	LABEL(R)-HV FUSER	JC68-00407A	1	X	220V
	LABEL(R)-HV FUSER	JC68-00408A	1	X	110V
30	PMO-GUIDE INPUT	JC72-01208A	1	O	
31	LABEL(P)-CAUTION,HOT_FU	JC68-30928E	1	X	
S10	SCREW-ASS'Y MACH	6006-001193	10	X	
S8	SCREW-TAPTITE	6003-000196	13	X	

## 9.10. Cassette Ass'y Exploded View





## 9.11. SCF Cassette Ass'y Exploded View



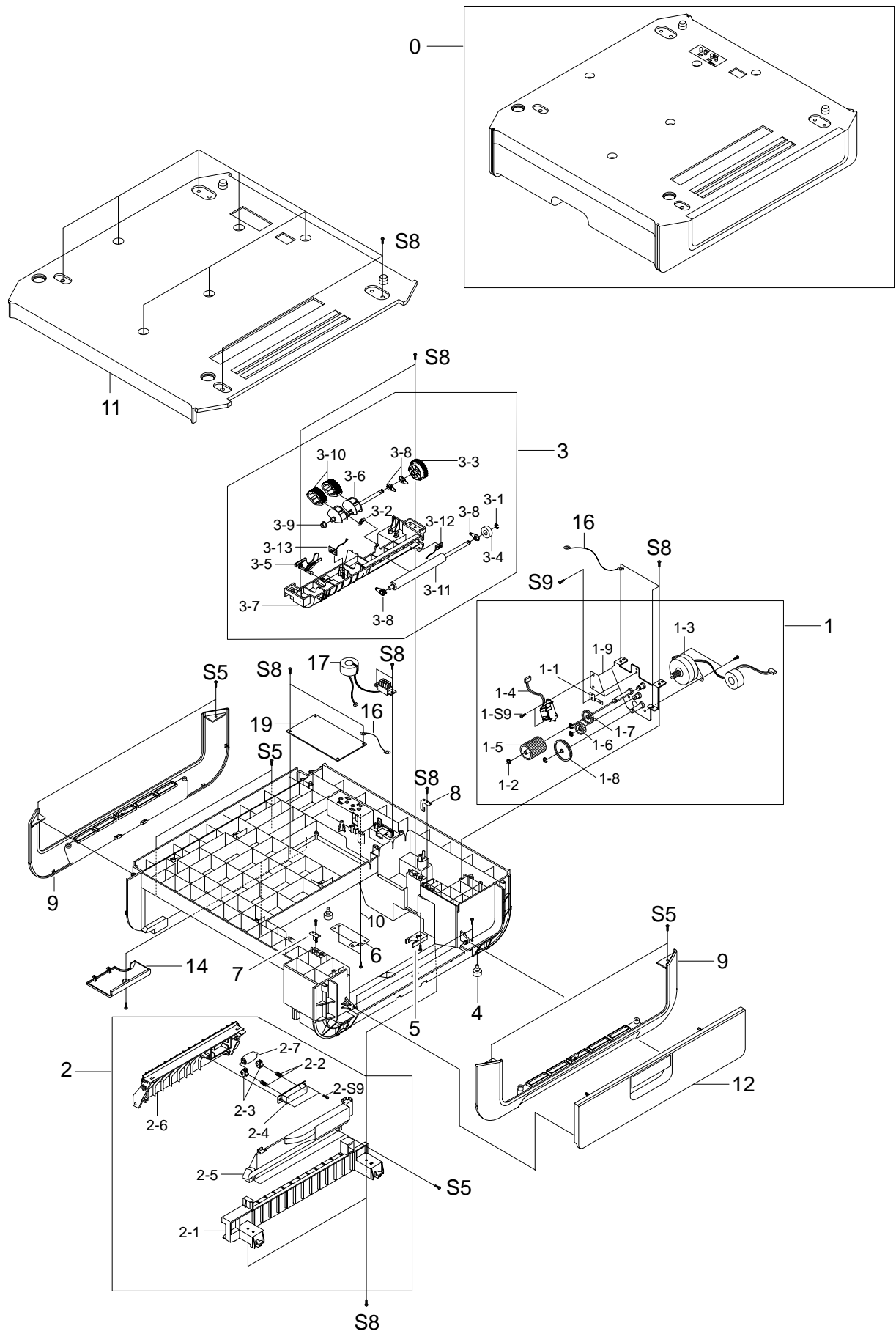
## SCF Cassette Ass'y Assembly Parts List

SA : Service Available

O : Service available X : Service not available

No.	Description	SEC.Code	Q'ty	SA	Remark
0	MEA UNIT-CASSETTE SCF(LTR)	JC97-01809A	1	O	LETTER
	MEA UNIT-CASSETTE SCF(A4)	JC97-01809B	1	O	A4
1	PMO-FRAME CASSETTE(SCF)	JC72-01238A	1	X	
2	PMO-COVER CASSETTE(SCF)	JC72-01236A	1	X	
3	PMO-GUIDE SIDE(SCF)	JC72-01243A	1	X	
4	PMO-GUIDE FRONT CST	JC72-00798B	1	X	
5	PMO-GUIDE REAR(SCF)	JC72-01239A	1	X	
6	IPR-PLATE K/UP	JC70-00221A	1	X	
7	IPR-FINGER	JC70-00220A	1	X	
8	IPR-SPR PLATE G/SIDE	JC70-10929A	1	X	
9	IPR-GUIDE PLT PAPER	JC70-10923A	1	X	
10	SPRING-CS	6107-001190	2	X	LETTER
	SPRING-CS	6107-001213	2	X	A4
11	"SPRING ETC-LOCKER,PLATE"	JG61-70531A	1	X	
12	PMO-LOCKER PLATE	JC72-41210A	1	X	
14	PMO-DUMMY SIDE GUIDE(SCF)	JC72-01237A	1	X	
15	RPR-PAD CST	JC73-10910A	2	X	
16	LABEL(P)-INSTRUCTION CST	JC68-01174A	1	X	
17	LABEL(R)-HEIGHT CST	JC68-00709A	1	X	
18	LABEL(P)-LTR	JC68-01227A	1	X	LETTER
	LABEL(P)-A4	JC68-01232A	1	X	A4
S8	SCREW-TAPTITE	6003-000196	4	X	

# 9.12. Frame SCF Ass'y Exploded View



## Frame SCF Ass'y Assembly Parts List

SA : Service Available

O : Service available X : Service not available

No.	Description	SEC.Code	Q'ty	SA	Remark
0	MEA BASE-FRAME SCF	JC97-01808A	1	X	
1	ELA HOU-MOTOR SCF	JC96-02283A	1	X	
1-1	IPR-GROUND_ROLLER	JC70-10467A	1	X	
1-2	RING-E	6044-000125	4	X	
1-3	MOTOR STEP-SCF	JC31-10501A	1	X	
1-4	SOLENOID-PICK UP	JC33-00007A	1	X	
1-5	GEAR-P/UP DRV SCF	JC66-00330A	1	X	
1-6	GEAR-IDLER OPTION	JC66-40365A	1	X	
1-7	GEAR-IDLE(Z=30)	JC66-40950A	1	X	
1-8	GEAR-IDLE(SCF)	JC66-40954A	1	X	
1-9	IPR-BRKT GEAR	JC70-00251A	1	X	
1-S9	SCREW-TAPTITE	6003-000266	5	X	
2	MEA HOU-GUIDE LOWER SCF	JC97-01825A	1	X	
2-1	PMO-GUIDE LOWER RAIL(SCF)	JC72-01242A	1	X	
2-2	SPRING CS	TBD	2	X	
2-3	PMO-BUSH IDLE ROLL-SCF16	JC72-00658A	2	X	
2-4	PMO-HOLDER IDLE ROLL16	JC72-00660A	1	X	
2-5	PMO-COVER GUIDE LOWER(SCF)	JC72-01066A	1	X	
2-6	PMO-GUIDE LOWER(SCF)	JC72-01241A	1	X	
2-7	PMO-ROLLER IDLE(SCF)	JC72-01244A	1	X	
2-S5	SCREW-TAPTITE	6003-000119	4	X	
3	MEA HOU-GUIDE UPPER SCF	JC97-01826A	1	X	
3-1	RING-E	6044-000231	1	X	
3-2	SPRING ETC-PICKUP	JC61-00482A	1	X	
3-3	GEAR-PICK UP	JC66-00326A	1	X	
3-4	GEAR-FEED (SCF)	JC66-40955A	1	X	
3-5	PMO-ACTUATOR EMPTY	JC72-00719A	1	X	
3-6	PMO-SHAFT PICK UP	JC72-00729A	1	X	
3-7	PMO-GUIDE UPPER(SCF)	JC72-01240A	1	X	
3-8	PMO-BEARING SHAFT	JC72-41191A	4	X	
3-9	"PMO-BUSHING_P/U,MP"	JC72-41364A	1	X	
3-10	RPR-RUBBER PICK UP	JC73-00086A	2	X	
3-11	RPR-ROLLER FEED SCF	JC73-00115A	1	X	
3-12	PBA SUB-SCF COVER SENSOR	JC92-01502A	1	X	
3-13	PBA SUB-SCF P_EMPTY SENSOR	JC92-01501A	1	X	
4	FOOT-ML80	JC61-40001A	2	X	
5	CAM-CATCH	JC66-00050A	1	X	
6	IPR-PLATE GROUND(A)	JC70-00249A	1	X	
7	IPR-PLATE LOCKER(L)	JC70-00377A	1	X	
8	IPR-PLATE LOCKER(R)	JC70-00378A	1	X	
9	PMO-BASE DECO(SCF)	JC72-01065A	2	X	
10	ELA UNIT-TERMINAL TR L	JC96-01672A	4	X	



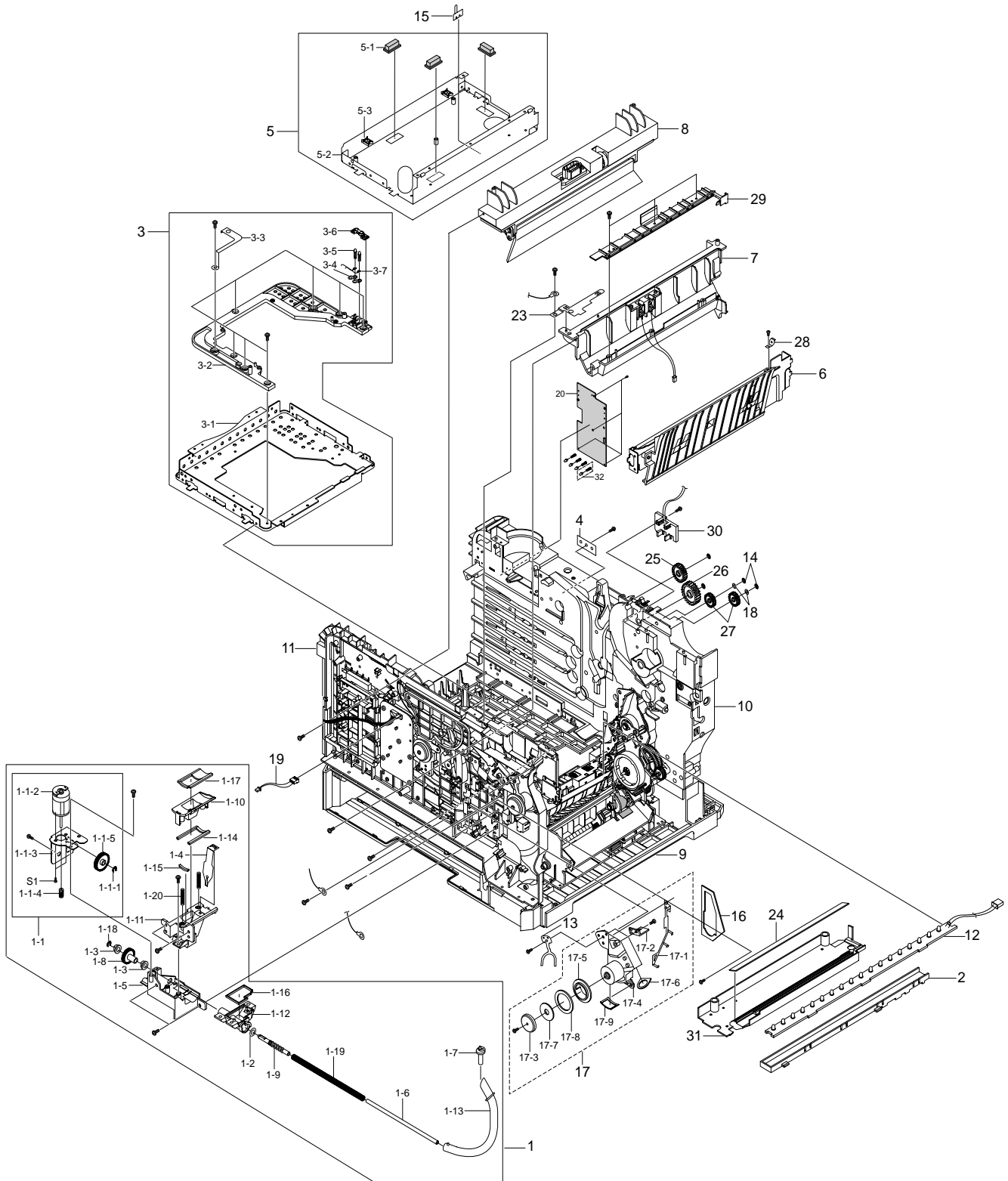
## Frame SCF Ass'y Assembly Parts List

SA : Service Available

O : Service available X : Service not available

No.	Description	SEC.Code	Q'ty	SA	Remark
11	PMO-COVER TOP(SCF)	JC72-01209A	1	X	
12	PMO-DOOR SIDE(SCF)	JC72-01210A	1	X	
13	PMO-FRAME BASE(SCF)	JC72-01211A	1	X	
14	PMO-COVER SENSOR(SCF)	JC72-01235A	1	X	
16	CBF HARNESS-DRIVER GND	JB39-00065A	2	X	15 m/m
17	CBF HARNESS-SCF_8P	JC39-00102A	1	X	
19	PBA SUB-SCF	JC92-01539A	1	X	
S5	SCREW-TAPTITE	6003-000119	8	X	
S8	SCREW-TAPTITE	6003-000196	26	X	

## 9.13 Main Frame Exploded View



## Main Frame Assembly Parts List

SA : Service Available

O : Service available X : Service not available

No.	Description	SEC.Code	Q'ty	SA	Remark
1	MEA UNIT-OPC TONER DUCT	JC97-01834A	1	X	
1-1	ELA UNIT-TONER MOTOR	JC96-02882A	1	O	
1-1-S1	SCREW-MACHINE	6001-000485	2	X	
1-1-1	RING-E	6044-000125	1	X	
1-1-2	MOTOR DC-WASTE TONER	JB31-00020B	1	O	
1-1-3	BRACKET-WASTER TONER MOTOR	JC61-00808A	1	X	
1-1-4	GEAR WORM-WHEEL IDLE	JC66-00653A	1	X	
1-1-5	GEAR WORM-WASTE TONER	JC66-00654A	1	X	
1-3	BUSH-D6/L4	JC61-00699A	2	X	
1-2	WASUER-PIAIN	6031-000023	1	X	
1-4	PLATE-VIBRATOR INLET	JC61-00810A	1	X	
1-5	BASE-M-WASTE TONER	JC61-00820A	1	X	
1-6	PIPE-WASTE BAR	JC62-00129A	1	X	
1-7	CAM-M-WASTE DUCT OUTLET	JC66-00649A	1	X	
1-8	GEAR WORM-WHEEL Z35	JC66-00651A	1	X	
1-9	SHAFT-M-WASTE DUCT INLET	JC66-00652A	1	X	
1-10	DUCT-M-WASTE LIFTER	JC67-00052A	1	X	
1-11	DUCT-M-WASTE TONER INLET1	JC67-00053A	1	X	
1-12	DUCT-M-WASTE TONER INLET2	JC67-00054A	1	X	
1-13	PMO-PIPE WASTE TRANSFER	JC72-01186A	1	X	
1-14	SPONGE-WASTE LIFTER 1	JC72-01278A	1	X	
1-15	SPONGE-WASTE LIFTER 2	JC72-01279A	1	X	
1-16	SPONGE-WASTE DUCT OPC	JC72-01285A	1	X	
1-17	SPONGE-WASTE COVER	JC72-01290A	1	X	
1-18	RING-E	6044-000125	1	X	
1-19	SPRING-CS	6107-001201	1	X	WASTE DUST OPC
1-20	SPRING-CS	6107-001199	2	X	ITB TONER LIFFER
1-S8	SCREW-TAPTITE	6003-000196	6	X	
2	HOLDER-ERASER	JC72-01218A	1	O	
3	MEA UNIT-LSU GUIDE BRKT	JC97-01810A	1	O	
3-1	IPR-BRKT LSU	JC70-00388A	1	O	
3-2	PMO-LSU BASE	JC72-01169A	1	O	
3-3	IPR-GROUND LSU	JC70-00444A	1	O	
3-4	IPR-PLATE OPC OEM	JC70-00428A	2	O	
3-5	MEA UNIT -TERMINAL S	JC97-01771A	2	X	
3-6	PMO-COVER OEM UPPER	JC72-01146A	1	O	
3-7	CBF HARNESS-OPC_FUSE	JC39-00229A	1	X	
3-S5	SCREW-TAPTITE	6003-000119	2	X	
3-S9	SCREW-TAPTITE	6003-000266	5	X	
4	SHEET-HV HARNESS	JC63-00248A	1	O	
5	MEA UNIT-BRKT HVPS	JC97-01767A	1	O	
5-1	GUIDE-HVPS BOARD	JC61-00838A	3	X	
5-2	IPR-BRKT HVPS LOWER	JC70-00386A	1	X	
5-3	CABLE CLMP	6502-000132	2	X	

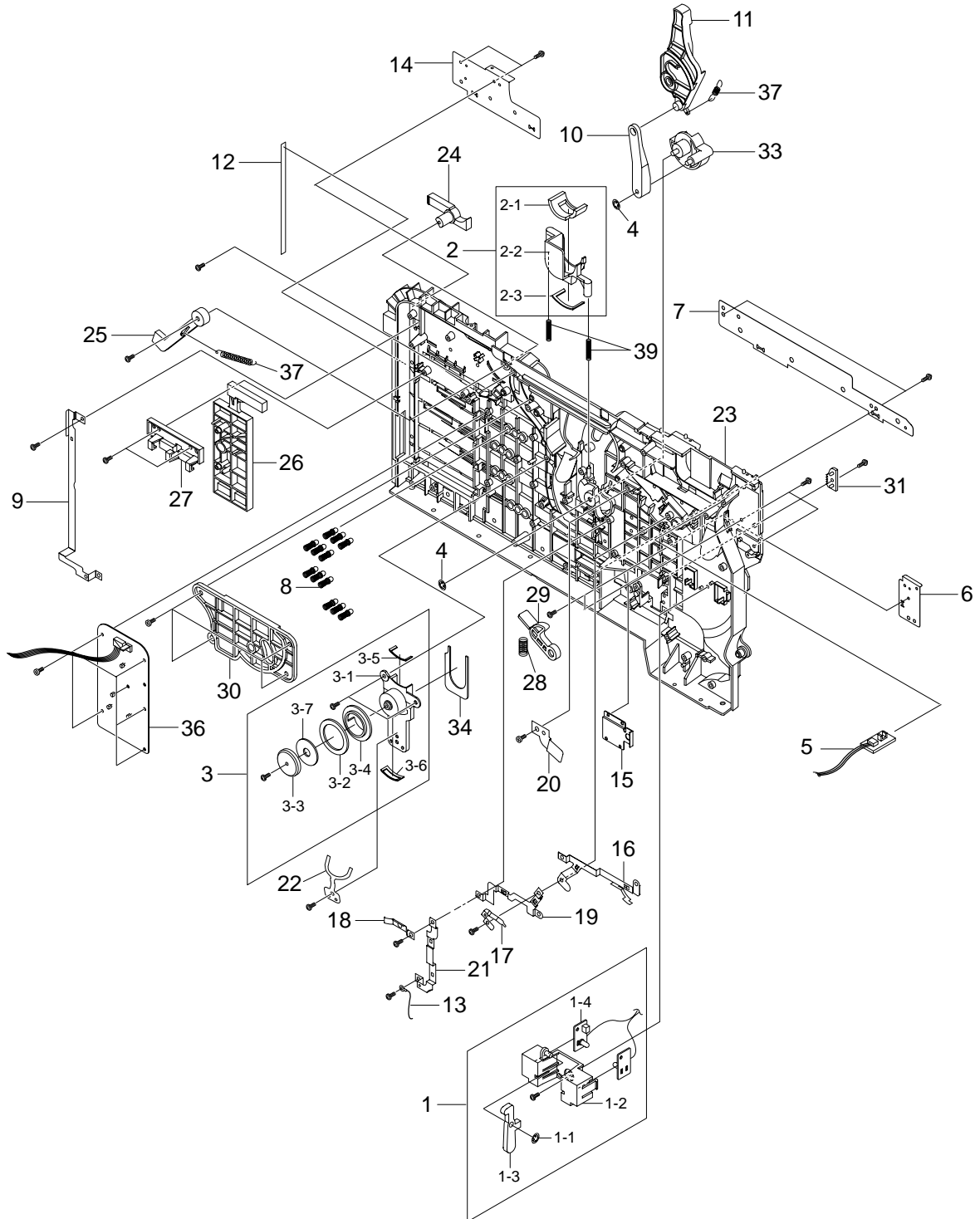
## Main Frame Assembly Parts List

SA : Service Available

O : Service available X : Service not available

No.	Description	SEC.Code	Q'ty	SA	Remark
6	ELA UNIT-GUIDE PAPER T2	JC96-02797A	1	O	
7	ELA UNIT-DUMMY FUSER BASE	JC96-02795A	1	O	
8	ELA UNIT-ITB CAM	JC96-02794A	1	O	
9	ELA UNIT-FRAME BASE	JC96-02881A	1	O	
10	ELA UNIT-FRAME REAR	JC96-02880A	1	O	
11	ELA UNIT-FRAME FRONT	JC96-02879A	1	O	
12	PBA SUB-ERASER	JC92-01450A	1	O	
13	IPR-SHUTTER TORTION	JC70-00447A	1	O	
14	RING-CS	6044-000001	4	X	
15	CABLE CLAMP	6502-000121	1	X	
16	SPONGE-DUST OPC COVER	JC72-01284A	1	X	
17	MEA UNIT-OPC TONER HOUSING	JC97-01814A	1	X	
17-1	PLATE-VIBRATOR OUTLET	JC61-00885A	1	X	
17-2	BUSH-M-WASTE CAM	JC61-00812A	1	X	
17-3	PMO-CAP SHUTTER ITB	JC72-01222A	1	X	
17-4	PMO-HOUSING TRANSFER	JC72-01228A	1	X	
17-5	PMO-SHUTTER TRANSFER OPC	JC72-01230A	1	X	
17-6	SPONGE-TANK TONER	JC72-01289A	1	X	
17-7	SPONGE-CAP SHUTTER	JC72-01292A	1	X	
17-8	SPONGE-DUCT TONER OPC	JC72-01294A	1	X	
17-9	SPONGE-TANK TONER OPC	JC72-01295A	1	X	
17-S5	SCREW-TAPTITE	6003-000119	2	X	
17-S8	SCREW-TAPTITE	6003-000196	1	X	
18	SPRING ETC-CLUTCH	JB61-70922A	2	X	
19	CBF HARNESS-WASTE_MOTOR	JC39-00299A	1	X	
20	ELA UNIT-DEVE DRIVE	JC96-02930A	1	O	
21	CBF HARNESS-MAIN FSR_ROLL	JC39-00276A	1	O	
22	CBF HARNESS-MAIN ERASER	JC39-00277A	1	O	
23	GROUND-FUSER FRAME	JC63-00165A	1	X	
24	SHEET-ERASER LAMP	JC63-00247A	1	O	
25	GEAR-GEAR FUSER DRV OUTER	JC66-00334A	1	X	
26	"GEAR-DP,IDLE"	JC66-40911A	1	X	
27	"GEAR-EXIT,IDLE(Z17)"	JC66-40964A	2	X	
28	IPR-GROUND PAPER GUIDE	JC70-00446A	1	O	
29	PMO-COVER FUSER BASE	JC72-01141A	1	O	
30	PMO-COVER HARNESS FUSER	JC72-01145A	1	O	
31	PMO-LSU SHUTTER COVER	JC72-01171A	1	O	
32	MEA UNIT-TERMINAL S	JC97-01771A	4	O	
S5	SCREW-TAPTITE	6003-000119	8	X	
S6	SCREW-TAPTITE	6003-000152	1	X	
S7	SCREW-TAPTITE	6003-000179	2	X	
S8	SCREW-TAPTITE	6003-000196	29	X	
S9	SCREW-TAPTITE	6003-000266	2	X	
S14	SCREW-TAPTITE	6003-001256	7	X	

# 9.14 Front Frame Exploded View



## Front Frame Assembly Parts List

SA : Service Available

O : Service available X : Service not available

No.	Description	SEC.Code	Q'ty	SA	Remark
0	ELA UNIT-FRAME FRONT	JC96-02879A	1	X	
1	ELA UNIT-TONER SENSOR	JC96-02796A	1	X	
1-1	RING-CS	6044-000001	1	X	
1-2	HOLDER-M-WASTE TONER SENSOR	JC61-00813A	1	X	
1-3	PMO-TONER DETACTER	JC72-01189A	1	X	
1-4	PBA SUB-WASTE SENSOR	JC92-01452A	1	O	
2	MEA UNIT-ITB LIFTER	JC97-01812A	1	O	
2-1	SPONGE-DUCT TONER ITB LIFT	JC72-01282A	1	X	
2-2	DUCT-TONER ITB LIFTER	JC67-00043A	1	X	
2-3	SPONGE-ITB DUCT	JC72-01286A	1	X	
3	MEA UNIT-ITB TONER HOUSING	JC97-01813A	1	O	
3-1	HOUSING-M-WASTE TONER ITB	JC61-00814A	1	O	
3-2	SPONGE-DUCT TONER OPC	JC72-01294A	1	X	
3-3	PMO-CAP SHUTTER ITB	JC72-01222A	1	X	
3-4	PMO-SHUTTER TRANSFER ITB	JC72-01229A	1	X	
3-5	SPONGE-ITB TANK DUST	JC72-01287A	1	X	
3-6	SPONGE-ITB TANK TONER	JC72-01288A	1	X	
3-7	SPONGE-CAP SHUTTER	JC72-01292A	1	X	
3-S8	SCREW-TAPTITE	6003-000196	1	X	
4	RING-CS	6044-000001	3	X	
5	PBA SUB-EXIT SENSOR	JC92-01454A	1	X	
6	PLATE-GUIDE T2 FRONT	JC61-00709A	1	X	
7	BRACKET-DUMMY LSU F	JC61-00756A	1	X	
8	MEA UNIT-TERMINAL S	JC97-01771A	12	X	
9	GROUND-HVPS LSU	JC63-00166A	1	X	
10	LINK-LOCK OPC F	JC66-00562A	1	O	
11	LEVER-ITB LOCK FRONT	JC66-00666A	1	O	
12	LABEL(R)-COLOR BAR	JC68-01149A	1	X	
13	CBF HARNESS-BUSH GND	JC39-00114A	1	X	
14	IPR-BRKT GUIDE HVPS R	JC70-00385A	1	X	
15	IPR-BRKT EXIT HINGE F	JC70-00406A	1	O	
16	IPR-ITB HINGE GROUND	JC70-00419A	1	O	
17	IPR-ITB GUIDE TORSION	JC70-00420A	1	X	
18	IPR-OPC GUIDE TORSION	JC70-00421A	1	X	
19	IPR-OPC/ITB GROUND	JC70-00422A	1	X	
20	IPR-OPC LOCK FRONT	JC70-00423A	1	O	
21	IPR-OPC/LSU GROUND	JC70-00424A	1	X	
22	IPR-SHUTTER TORTION	JC70-00447A	1	X	
23	PMO-FRAME FRONT	JC72-01144A	1	X	

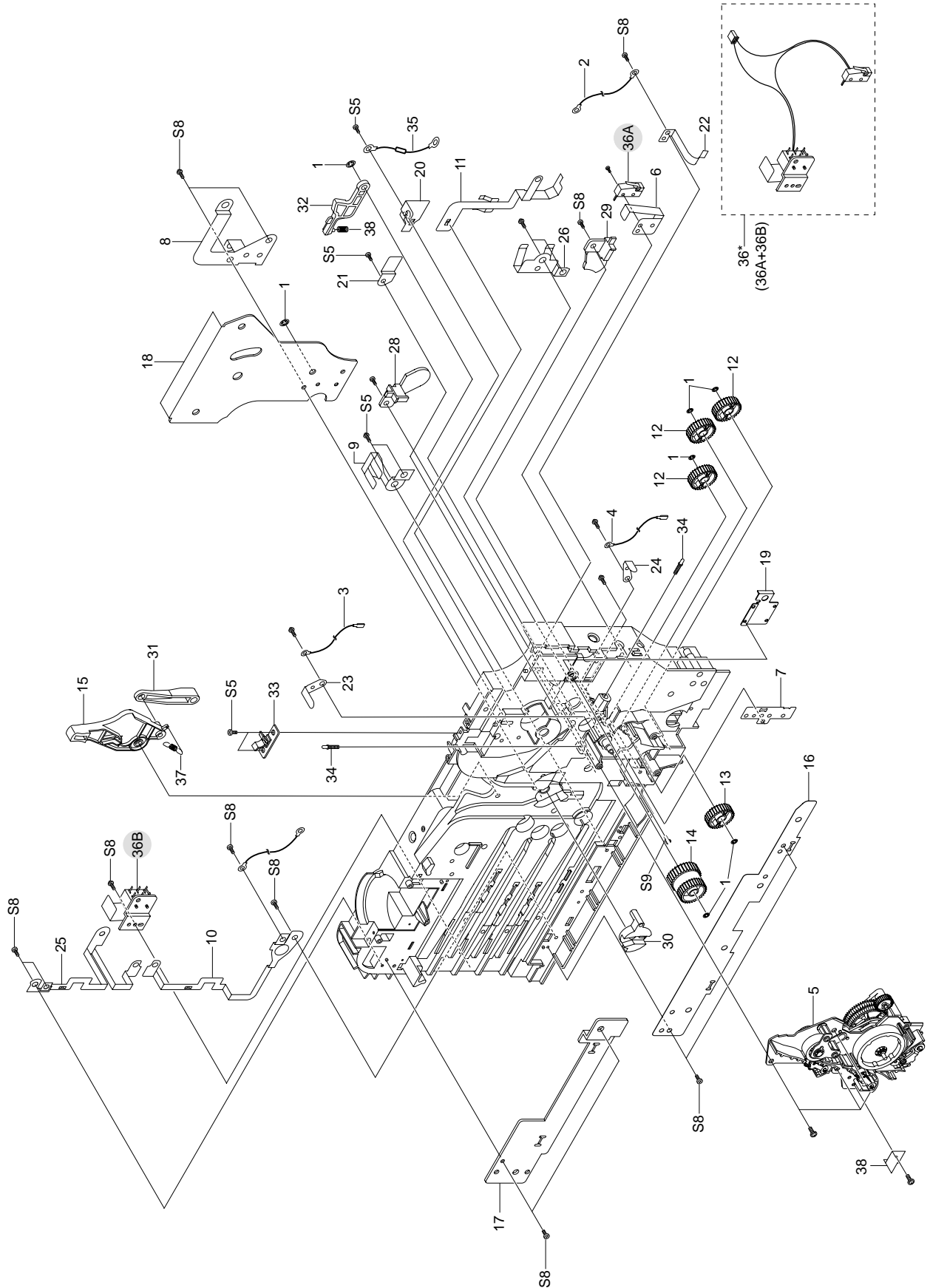
## Front Frame Assembly Parts List

SA : Service Available

O : Service available X : Service not available

No.	Description	SEC.Code	Q'ty	SA	Remark
24	PMO-COVER TOP LEVER IN	JC72-01173A	1	O	
25	PMO-COVER TOP LEVER OUT	JC72-01174A	1	X	
26	PMO-DEVE OPEN PLATE	JC72-01177A	1	O	
27	PMO-DEV OPEN PLATE GUIDE	JC72-01178A	1	O	
28	SPRING-CS	6107-001196	1	X	ITB LOCK
29	PMO-LOCK ITB FRONT	JC72-01184A	1	O	
30	PMO-LOCK COVER FRONT	JC72-01185A	1	O	
31	PMO-RACK OPC	JC72-01221A	1	O	
32	SPRING-CS	6107-001199	2	X	ITB TONER LIFTER
33	PMO-GUIDE LOCK OPE F	JC72-01225A	1	O	
34	SPONGE-DUST ITB COVER	JC72-01283A	1	O	
36	PBA SUB-DEVE_OEM_KEY	JC92-01533A	1	O	
37	SPRING-CS	6107-001214	2	X	FRAME LOCK
S5	SCREW-TAPTITE	6003-000119	6	X	
S7	SCREW-TAPTITE	6003-000266	6	X	
S8	SCREW-TAPTITE	6003-000196	26	X	

# 9.15 Rear Frame Exploded View





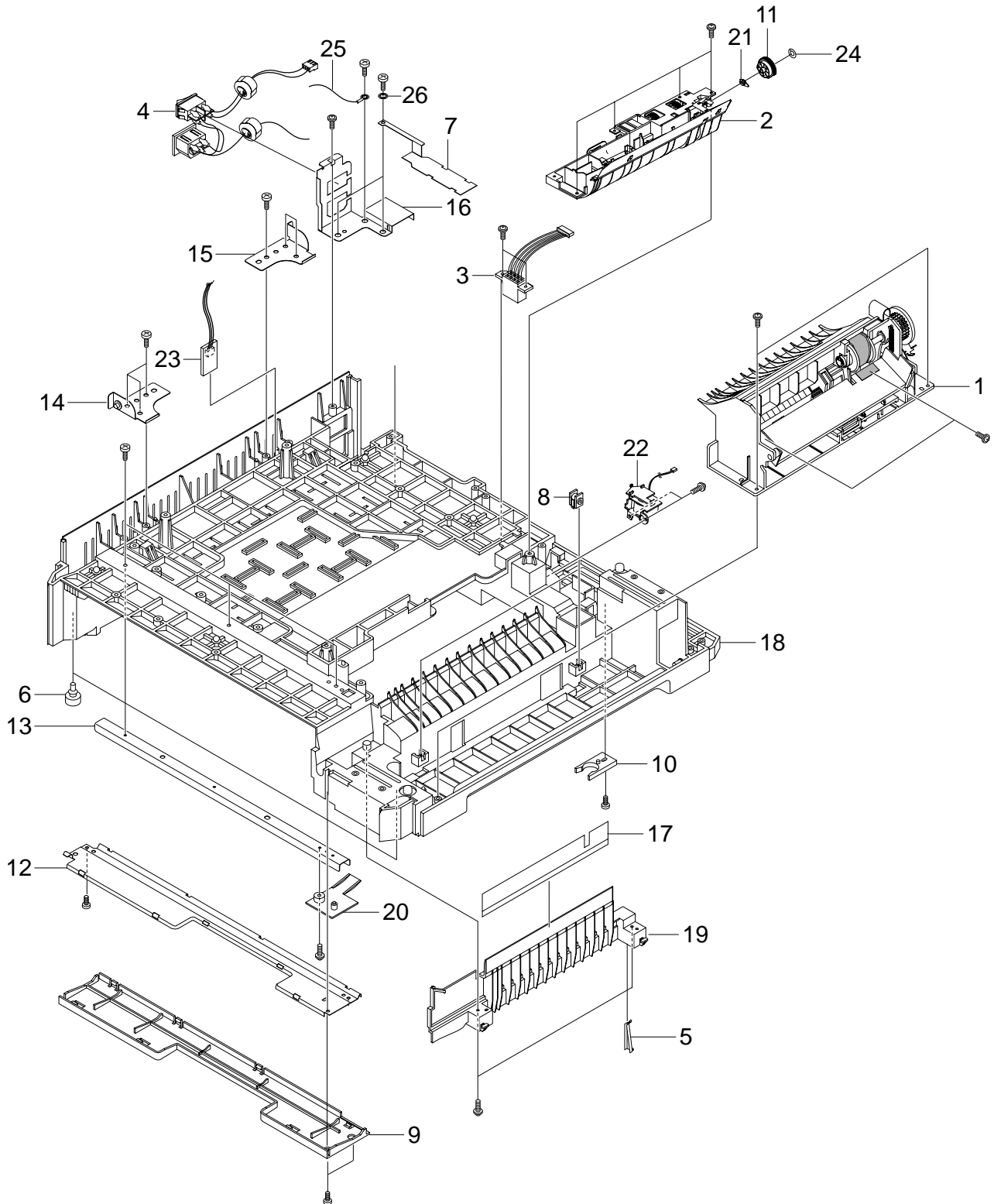
## Rear Frame Assembly Parts List

SA : Service Available

O : Service available X : Service not available

No.	Description	SEC.Code	Q'ty	SA	Remark
0	ELA UNIT-FRAME REAR	JC96-02880A	1	X	
1	RING-CS	6044-000001	7	X	
2	CBF HARNESS-HVPS_CHARGE	JC39-00264A	1	O	
3	CBF HARNESS-HVPS_T1	JC39-00265A	1	O	
4	CBF HARNESS-HVPS_T2	JC39-00266A	1	O	
5	MEA UNIT-FEED	JC97-01829A	1	O	
6	PLATE-S/W DUPLEX	JC61-00707A	1	O	
7	PLATE-GUIDE T2 REAR	JC61-00708A	1	O	
8	GROUND-MAIN ITB DEVE	JC63-00162A	1	O	
9	GROUND-LSU DEVE DRIVE	JC63-00163A	1	O	
10	GROUND-HVPS LSU LOWER	JC63-00181A	1	O	
11	GROUND-EXIT DRIVE	JC63-00208A	1	O	
12	GEAR-RDCN FEED OUTER	JC66-00343A	3	O	
13	GEAR-T2 IDEL_Z27	JC66-00484A	1	O	
14	GEAR-T2 RDCN_Z32/Z23	JC66-00485A	1	O	
15	LEVER-ITB LOCK REAR	JC66-00667A	1	O	
16	IPR-BRKT DUMMY LSU R	JC70-00381A	1	O	
17	IPR-BRKT GUIDE HVPS F	JC70-00384A	1	O	
18	IPR-BRKT LOCK ITB	JC70-00387A	1	O	
19	IPR-BRKT EXIT HINGE R	JC70-00407A	1	O	
20	IPR-PLATE FUSER	JC70-00425A	1	O	
21	IPR-PLATE LOCK ITB	JC70-00426A	1	O	
22	IPR-PLATE OPC HV	JC70-00427A	1	O	
23	IPR-PLATE T1	JC70-00431A	1	O	
24	IPR-PLATE T2	JC70-00432A	1	O	
25	IPR-GROUND HVPS	JC70-00443A	1	O	
26	IPR-GROUND MAIN	JC70-00445A	1	O	
27	PMO-FRAME REAR	JC72-01143A	1	O	
28	PMO-COVER T1 HV	JC72-01148A	1	O	
29	PMO-COVER T2 HV	JC72-01149A	1	O	
30	PMO-GUIDE LOCK OPC	JC72-01157A	1	O	
31	PMO-LINK LOCK OPC	JC72-01158A	1	O	
32	PMO-LOCK ITB	JC72-01168A	1	O	
33	PMO-HOLDER GUIDE EXIT UP	JC72-01216A	1	O	
34	MEA UNIT-TERMINAL S	JC97-01771A	2	X	
35	CBF HARNESS-100M_GNDS	JC39-00302A	1	X	
36	ELA UNIT-COVER OPEN SENSOR	JC96-02876A	1	O	
37	SPRING-ES	6107-001214	1	X	
38	SPRING-CS	6107-001196	1	X	
S5	SCREW-TAPTITE	6003-000119	6	X	
S6	SCREW-TAPTITE	6003-000152	1	X	
S8	SCREW-TAPTITE	6003-000196	42	X	
S9	SCREW-TAPTITE	6003-000266	6	X	

## 9.16 Base Frame Exploded View



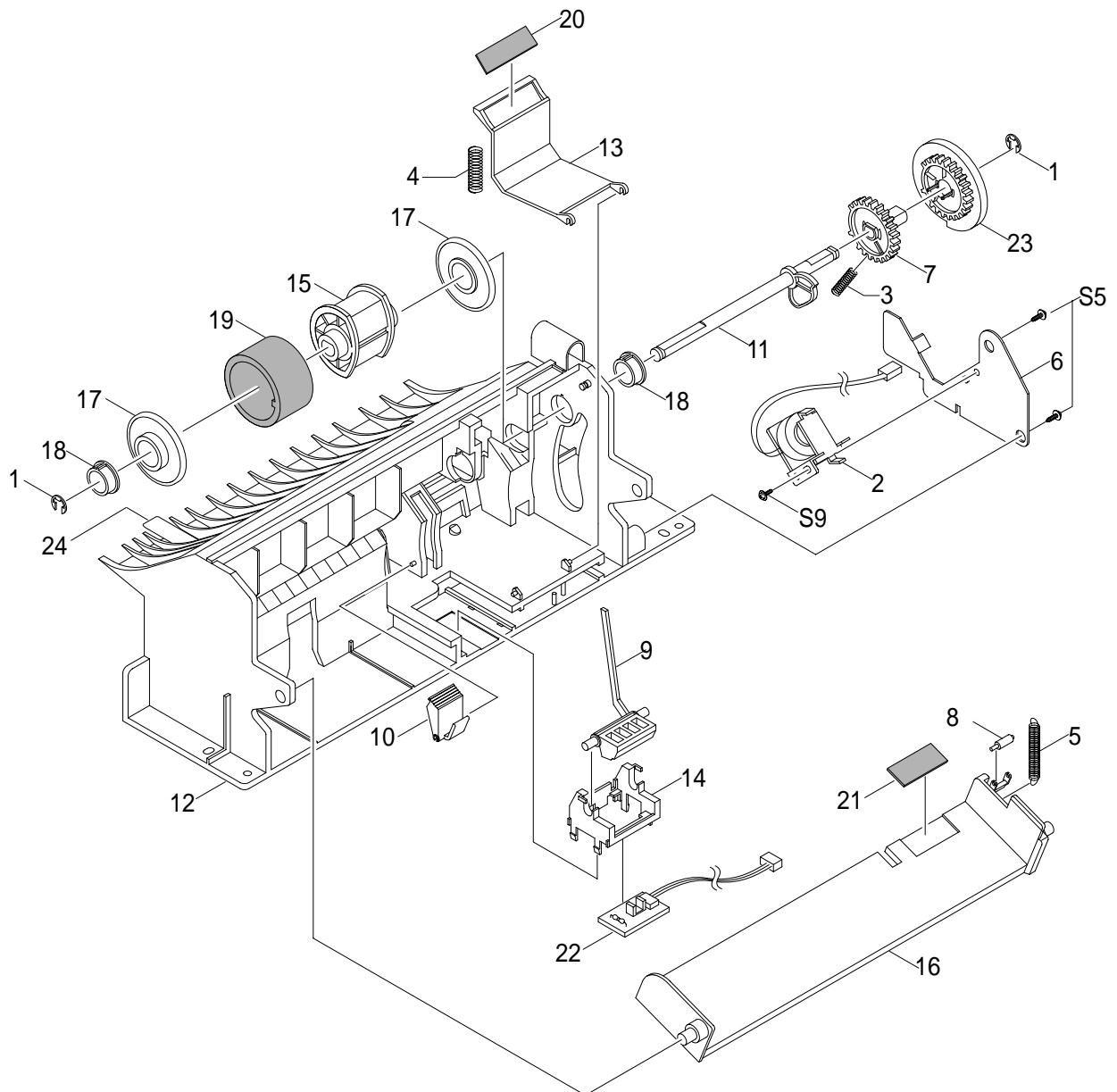
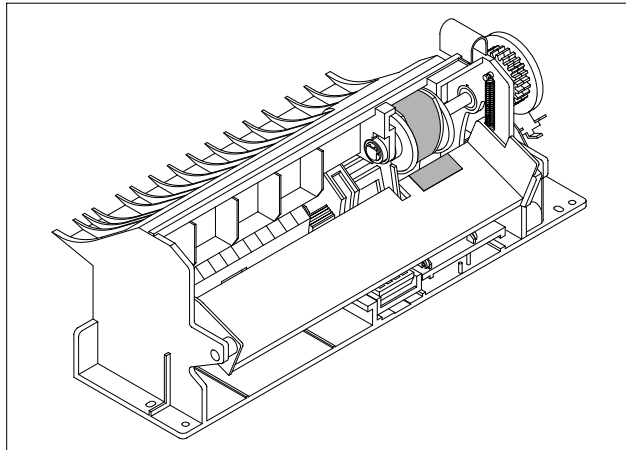
## Base Frame Assembly Parts List

SA : Service Available

O : Service available X : Service not available

No.	Description	SEC.Code	Q'ty	SA	Remark
0	ELA UNIT-FRAME BASE	JC96-02881A	1	X	
1	ELA UNIT-MP	JC96-02774A	1	O	
2	MEA-PICKUP	JC97-01755A	1	O	
3	CBF HARNESS-SCF	JC39-00082A	1	O	
4	CBF HARNESS-SMPS_INLET	JC39-00280A	1	O	
5	PLATE-GUIDE RAIL	JC61-00710A	1	O	
6	FOOT-ML80	JC61-40001A	2	O	
7	GROUND-SCF	JC63-00167A	1	O	
8	COVER-SCREW LOCKING MP	JC63-00175A	2	O	
9	COVER-M-BASE BAR	JC63-00207A	1	O	
10	CAM-CATCH	JC66-00050A	1	O	
11	GEAR-PICK_UP	JC66-00335A	1	O	
12	IPR-BRKT BASE BAR	JC70-00379A	1	O	
13	IPR-CHANNEL FRAME BASE	JC70-00390A	1	O	
14	IPR-BRKT DEVE HINGE F	JC70-00404A	1	O	
15	IPR-BRKT DEVE HINGE R	JC70-00405A	1	O	
16	IPR-BRKT POWER	JC70-00414A	1	O	
17	PPR-SHEET/GUIDE PAPER	JC72-00836A	1	O	
18	PMO-FRAME BASE	JC72-01156A	1	O	
19	PMO-GUIDE SCT PAPER	JC72-01161A	1	O	
20	PMO-PAPER GUIDE	JC72-01172A	1	O	
21	PMO-BEARING SHAFT	JC72-41191A	1	O	
22	SOLENOID-PICK UP	JC33-00007B	1	O	
23	PBA SUB-TEMP	JC92-01535A	1	O	
24	WASHER-PLAIN	6031-001255	1	X	
25	CBF HARNESS-LIU GND	JB39-00103A	1	X	
26	WASHER-E.T	6031-000120	1	X	
S7	SCREW-TAPTITE	6003-000266	4	X	
S8	SCREW-TAPTITE	6003-000196	13	X	
S14	SCREW-TAPTITE	6003-001256	14	X	

## 9.17 MP Ass'y Exploded View



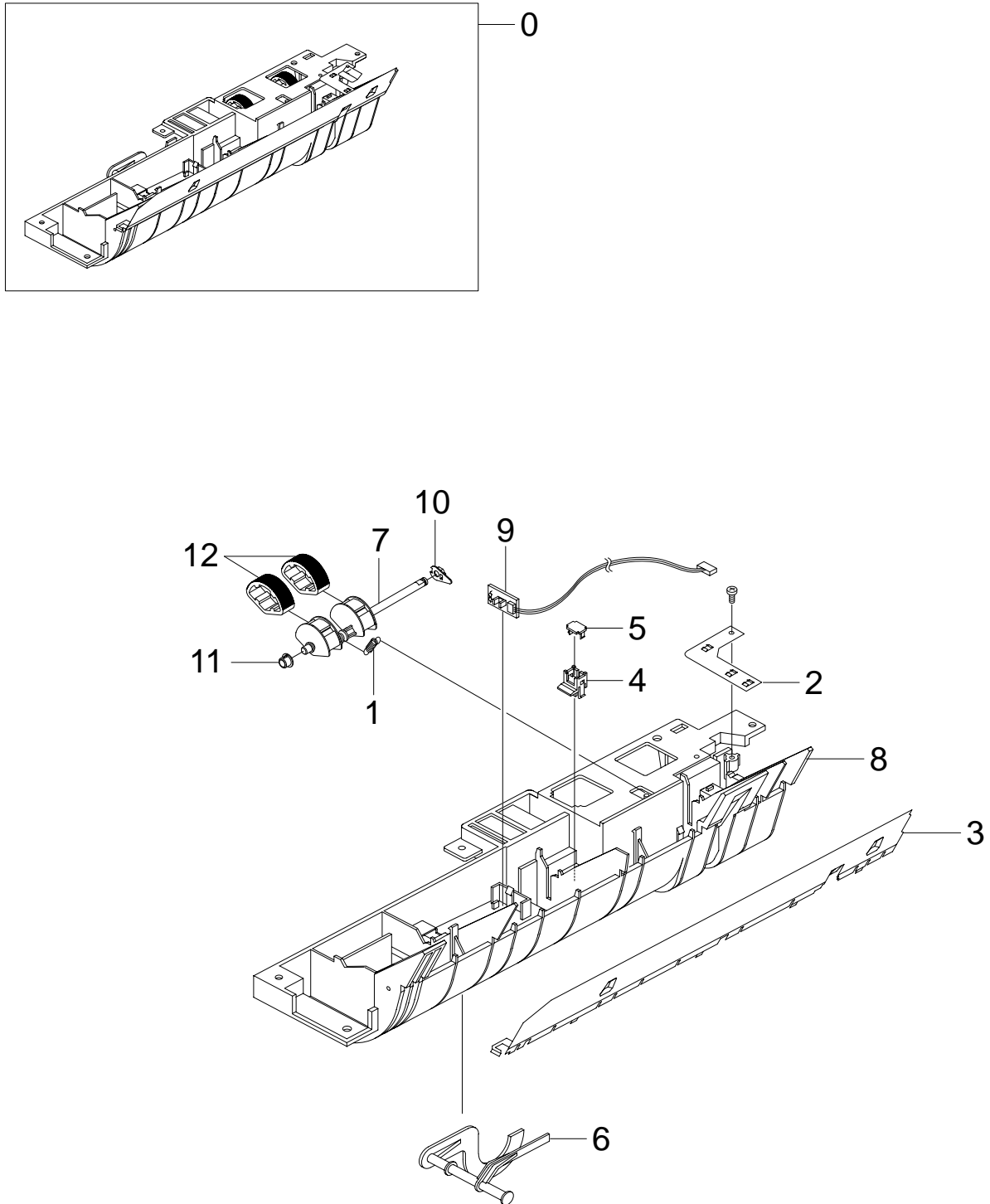
## MP Ass'y Assembly Parts List

SA : Service Available

O : Service available X : Service not available

No.	Description	SEC.Code	Q'ty	SA	Remark
0	ELA UNIT-MP	JC96-02774A	1	O	
1	RING-E	6044-000125	2	X	
2	SOLENOID-MP	JC33-00006B	1	O	
3	SPRING ETC—CAM MP	JC61-00003A	1	O	
4	SPRING ETC-PICK UP MP	JC61-00041A	1	O	
5	SPRING ETC-KNOCKUP,MP	JC61-00483A	1	O	
6	IPR-BRACKET SOLENOIDE	JC70-00237A	1	O	
7	PMO-HOLDER CAM MPF	JC72-00055A	1	O	
8	PMO-ROLLER CAM.MP	JC72-00761A	1	O	
9	PMO-ACTUATOR,MP	JC72-00767A	1	O	
10	PMO-ADJUSTER,MP	JC72-00768A	1	O	
11	PMO-CAM PICK UP,MP	JC72-00769A	1	O	
12	PMO-FRAME,MP	JC72-00770A	1	O	
13	PMO-HOLDER PAD,MP	JC72-00771A	1	O	
14	PMO-HOLDER SENSOR,MP	JC72-00772A	1	O	
15	PMO-HOUSING PICK UP,MP	JC72-00773A	1	O	
16	PMO-PLATE KNOCK UP,MP	JC72-00775A	1	O	
17	PMO-IDLE PICK UP MP	JC72-41027A	2	O	
18	PMO-BUSHING_P/U,MP	JC72-41364A	2	O	
19	RPR-RUBBER PICK UP,MP	JC73-00089A	1	O	
20	PAD-MP(PLUS)	JC69-00494A	1	X	
21	RPR-PAD KNOCK UP MP	JC73-10906A	1	X	
22	PBA SUB-MP_EMPTY SENSOR	JC92-01500A	1	O	
23	PMO-GEAR P/U MPF	JC72-00056A	1	X	
24	SHEET-PAPER MP	JC63-00240A	1	X	
S5	SCREW-TAPTITE	6003-000119	2	X	
S9	SCREW-TAPTITE	6003-000266	1	X	

## 9.18 Pick-up Ass'y Exploded View



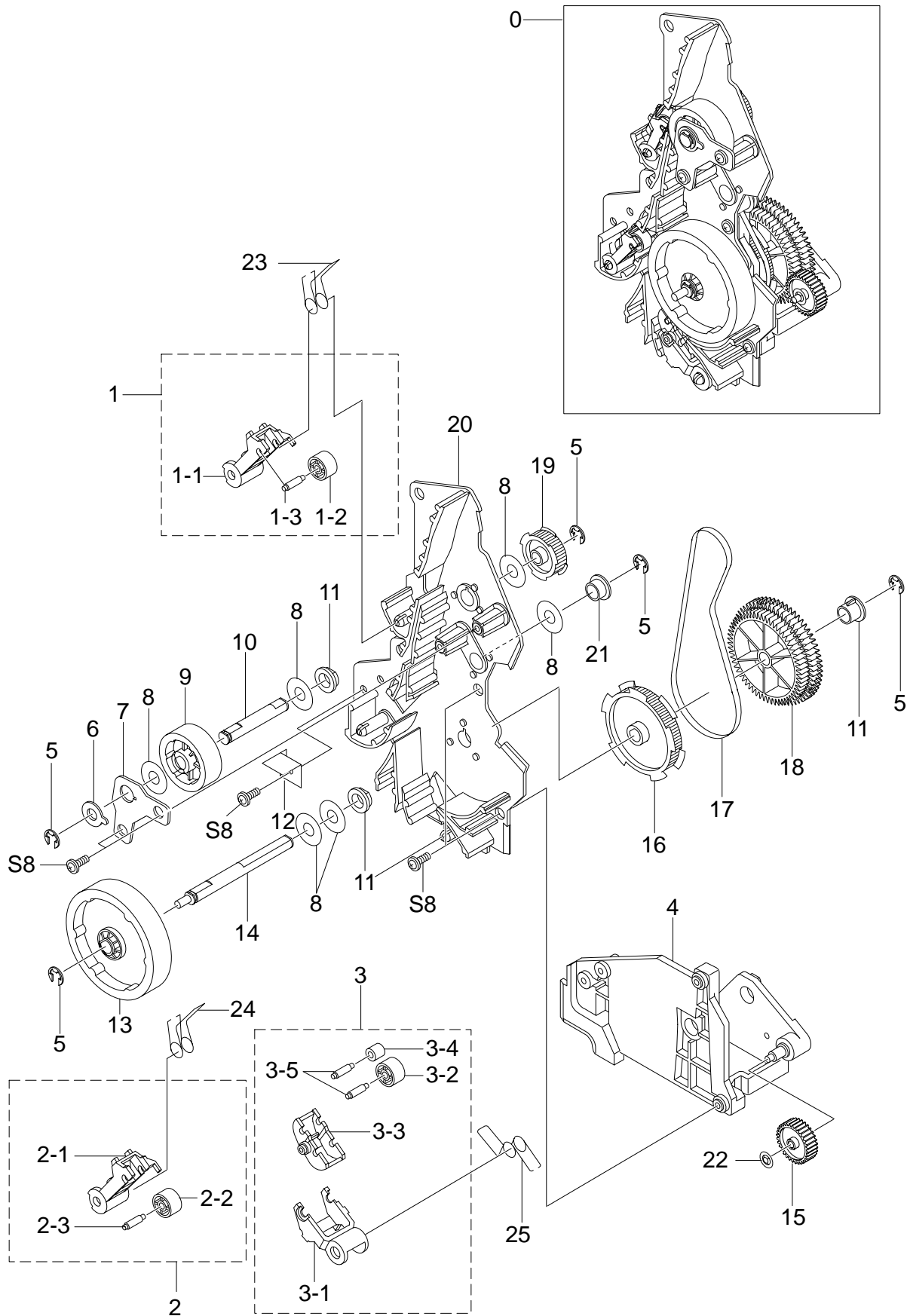
## Pick-up Ass'y Assembly Parts List

SA : Service Available

O : Service available X : Service not available

No.	Description	SEC.Code	Q'ty	SA	Remark
0	MEA-PICKUP	JC97-01755A	1	O	
1	SPRING ETC-PICKUP	JC61-00482A	1	O	
2	IPR-GROUND FEED	JC70-00359A	1	X	
3	IPR-GUIDE INPUT	JC70-00360A	1	X	
4	PMO-CAP CONNECTOR L	JC72-00463A	1	O	
5	PMO-CAP CONNECTOR U	JC72-00465A	1	O	
6	PMO-ACTUATOR EMPTY	JC72-00719A	1	O	
7	PMO-SHAFT PICK UP	JC72-00729A	1	O	
8	PMO-GUIDE PAPER	JC72-01076A	1	O	
9	PBA SUB-P.EMPTY SENSOR	JC92-01453A	1	O	
10	PMO-BEARING SHAFT	JC72-41191A	1	O	
11	"PMO-BUSHING_P/U,MP"	JC72-41364A	1	O	
12	RUBBER-PICK UP	JC73-00149A	2	O	

### 9.19 Feeder Ass'y Exploded View





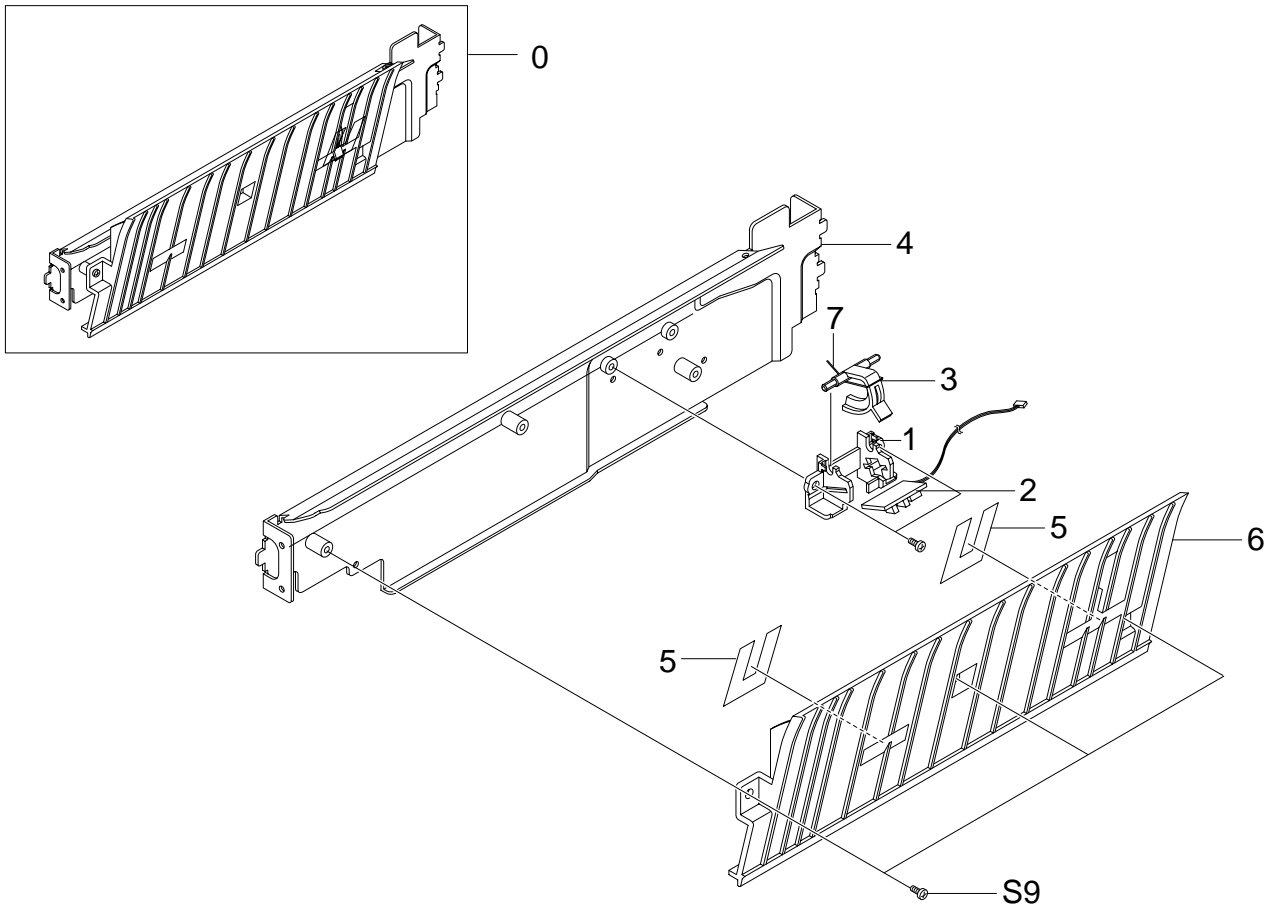
## Feeder Ass'y Assembly Parts List

SA : Service Available

O : Service available X : Service not available

No.	Description	SEC.Code	Q'ty	SA	Remark
0	MEA UNIT-FEED	JC97-01829A	1	O	
1	MEA-HOLDER PINCH C3	JC97-01768A	1	O	
1-1	PMO-HOLDER PINCH C3	JC72-01107A	1	X	
1-2	PMO-ROLLER FEED L	JC72-40261A	1	X	
1-3	IPR-SHAFT FEED IDLER	JC70-10230A	1	X	
2	MEA-HOLDER PINCH C5	JC97-01769A	1	O	
2-1	PMO-HOLDER PINCH C5	JC72-01108A	1	O	
2-2	PMO-ROLLER FEED L	JC72-40261A	1	X	
2-3	IPR-SHAFT FEED IDLER	JC70-10230A	1	X	
3	MEA-HOLDER PINCH M	JC97-01770A	1	O	
3-1	PMO-HOLDER PINCH M	JC61-00778A	1	O	
3-2	PMO-ROLLER FEED L	JC72-40261A	1	O	
3-3	PMO-SUB HOLDER FEED	JC72-40266A	1	O	
3-4	PMO-ROLLER FEED S	JC72-40262A	1	O	
3-5	IPR-SHAFT FEED IDLER	JC70-10230A	2	O	
4	PMO-FRAME FEED	JC72-01106A	1	O	
5	RING-E	6044-000125	4	X	
6	PMO-BUSHING FEED MID	JC72-01105A	1	O	
7	IPR-BRKT FEED MID	JC70-00376A	1	O	
8	WASHER-PLAIN	6031-000021	6	X	
9	PMO-ROLLER FEED MID	JC72-01113A	1	O	
10	SHAFT-FEED MID	JC66-00618A	1	O	
11	PMO-BUSHING P/U.MP	JC72-41364A	3	O	
12	GROUND-PICKUP PLATE	JC63-00182A	1	O	
13	PMO-ROLLER FEED	JC72-00727A	1	O	
14	SHAFT-FEED	JC66-00617A	1	O	
15	GEAR-MP/DUP DRV	JC66-00346A	1	O	
16	PMO-PULLEY FEED L	JC72-01110A	1	O	
17	BELT-TIMING GEAR	6602-001176	1	O	
18	GEAR-FEED	JC66-00332A	1	O	
19	PMO-PULLEY FEED S	JC72-01111A	1	O	
20	PMO-BRKT FEED	JC72-01134A	1	O	
21	PMO-PULLEY IDLE	JC72-01112A	1	O	
22	RING-CS	6044-000001	1	X	
23	SPRING-ETC FEED MID	6107-001210	1	X	
24	SPRING ETC FEED MID A	6107-001211	1	X	
25	SPRING ETC-FEED MP	JC61-00481A	1	X	
S8	SCREW-TAPTITE	6003-000196	5	X	

## 9.20 Guide Paper T2 Ass'y Exploded View



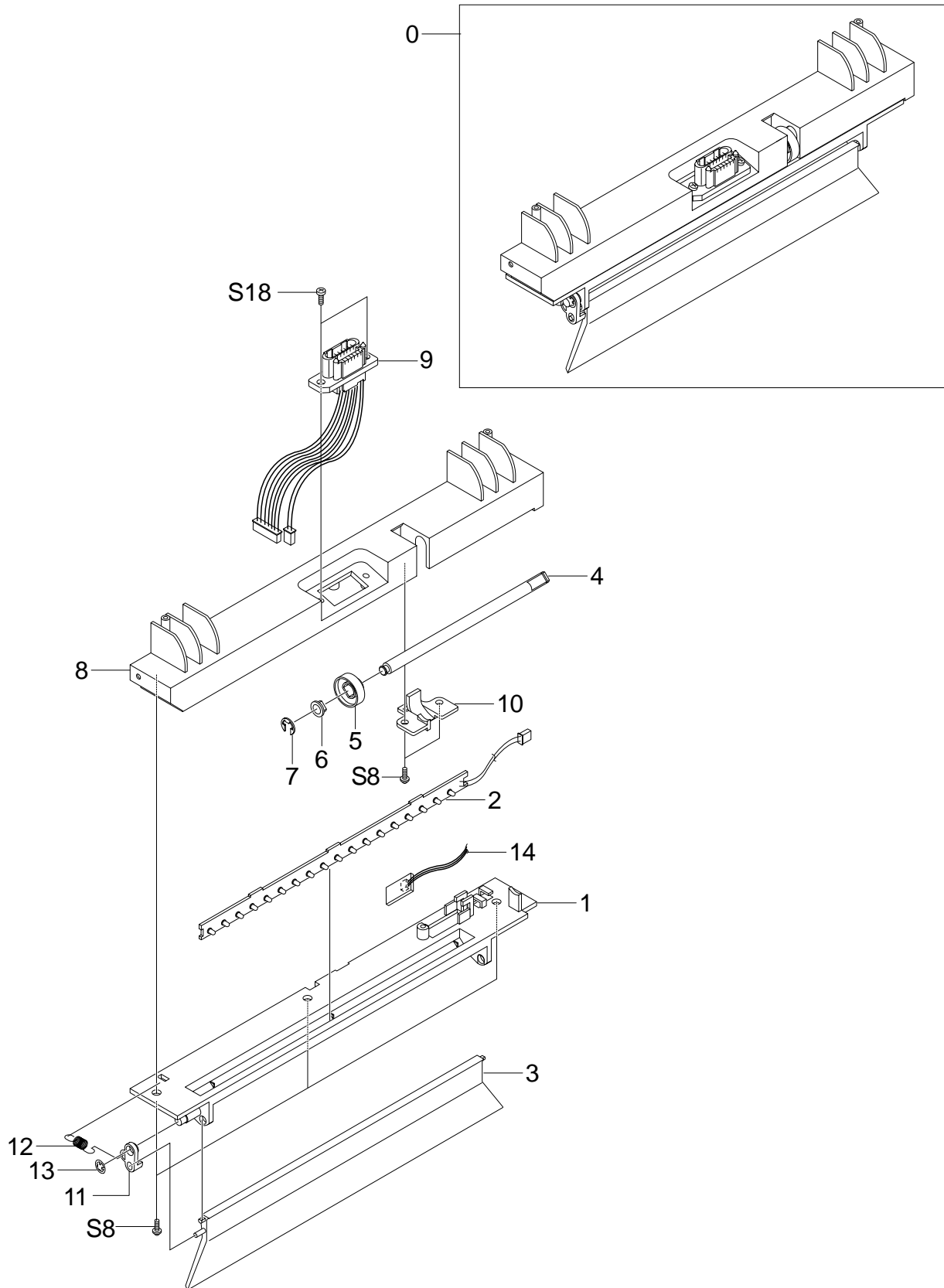
### Guide Paper Assembly Parts List

SA : Service Available

O : Service available X : Service not available

No.	Description	SEC.Code	Q'ty	SA	Remark
0	ELA UNIT-GUIDE PAPER T2	JC96-02797A	1	O	
1	PMO-COVER FEED SENSOR	JC72-01139A	1	O	
2	PBA SUB-FEED SENSOR	JC92-01455A	1	O	
3	PMO-ACTUATOR FEED SENSOR	JC72-01135A	1	O	
4	IPR-BRKT PAPER GUIDE	JC70-00389A	1	O	
5	SHEET-PAPER GUIDE	JC63-00235A	2	O	
6	PMO-GUIDE PAPER PATH	JC72-01160A	1	O	
7	SPRING ETC-ACTUATOR	JC61-00050A	1	X	
S9	SCREW-TAPTITE	6003-000266	5	X	

## 9.21 ITB Cam Ass'y Exploded View



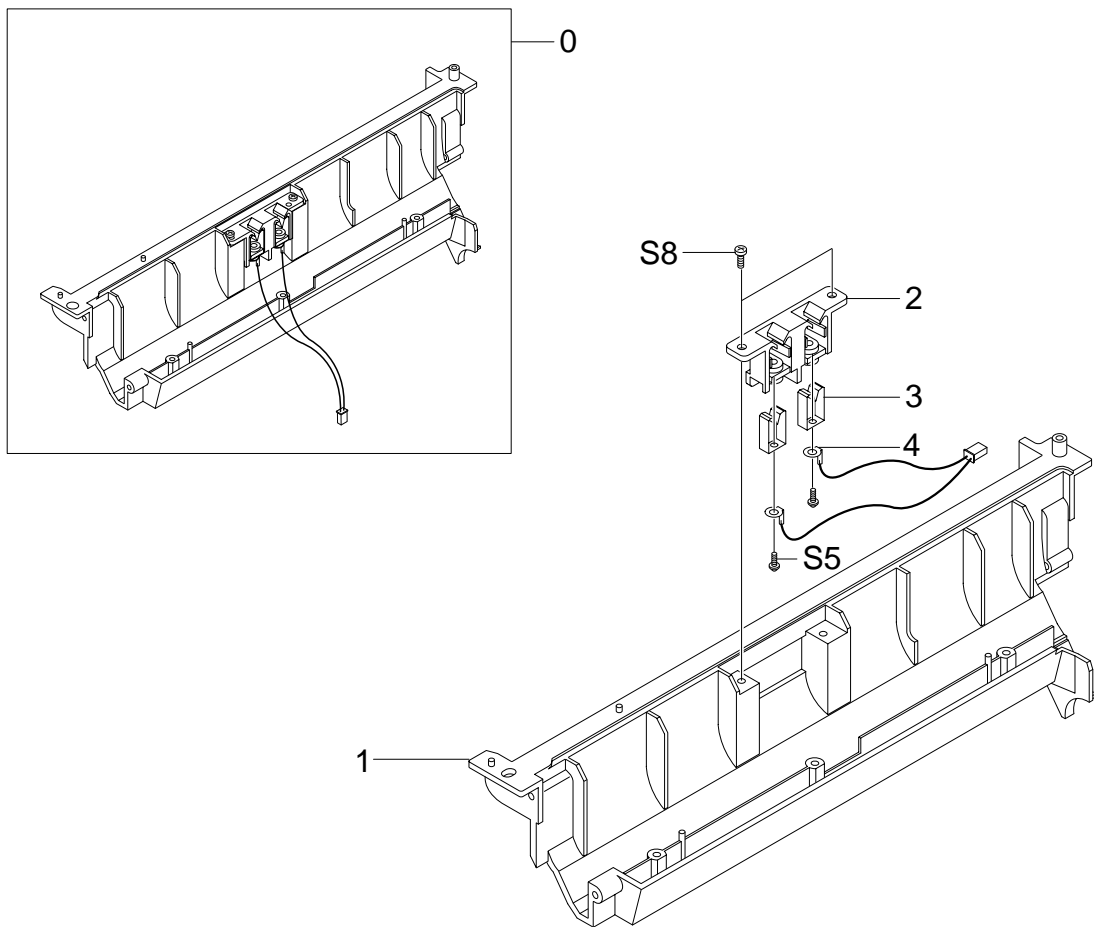
## ITB Cam Ass'y Assembly Parts List

SA : Service Available

O : Service available X : Service not available

No.	Description	SEC.Code	Q'ty	SA	Remark
0	ELA UNIT-ITB CAM	JC96-02794A	1	X	
1	PMO-DUMMY ITB CAM LOWER	JC72-01154A	1	O	
2	PBA SUB-PTL	JC92-01451A	1	O	
3	PMO-PTL PATH	JC72-01187A	1	O	
4	SHAFT-ITB CLEAN CAM	JC66-00548A	1	O	
5	CAM-ITB CLEANING	JC66-00511A	1	O	
6	BUSH-D6/L4	JC61-00699A	1	O	
7	RING-E	6044-000125	1	X	
8	PMO-DUMMY ITB CAM UPPER	JC72-01155A	1	O	
9	ELA HOU-SET DRAWER	JC96-02888A	1	O	
10	PMO-COVER CAM SHAFT	JC72-01136A	1	O	
11	GUIDE-PTL SPRING	JC61-00717A	1	O	
12	SPRING-PTL	6107-001203	1	O	
13	RING-E S	6044-000001	1	X	
14	PBA SUB-TEMP_2	JC92-01538A	1	O	
S8	SCREW-TAPTITE	6003-000196	5	X	
S18	SCREW-SPECIAL	6009-001396	2	X	

## 9.22 Dummy Fuser Base Ass'y Exploded View



### Dummy Fuser Base Ass'y Assembly Parts List

SA : Service Available

O : Service available X : Service not available

No.	Description	SEC.Code	Q'ty	SA	Remark
0	ELA UNIT-DUMMY FUSER BASE	JC96-02795A	1	X	
1	PMO-DUMMY FUSER BASE	JC72-01142A	1	O	
2	PMO-COVER FUSER AC	JC72-01140A	1	O	
3	IPR-TERMINAL FU	JC70-10961A	2	O	
4	CBF HARNESS-SMPS_AC WIRE	JC39-00288A	1	O	
S5	SCREW-TAPTITE	6003-000119	2	X	
S8	SCREW-TAPTITE	6003-000196	2	X	