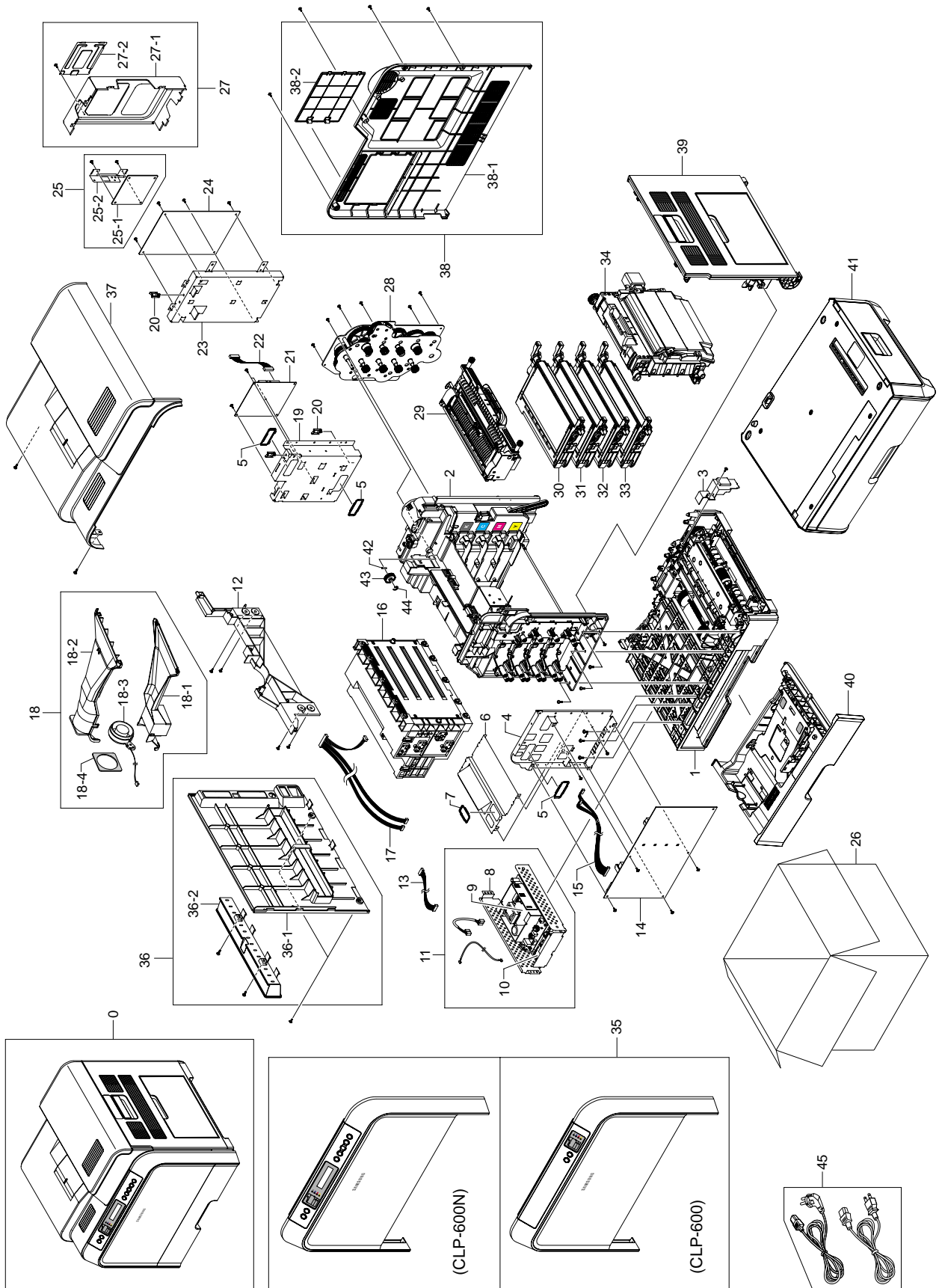


8. Exploded Views and Parts List (CLP-600N/SEE)

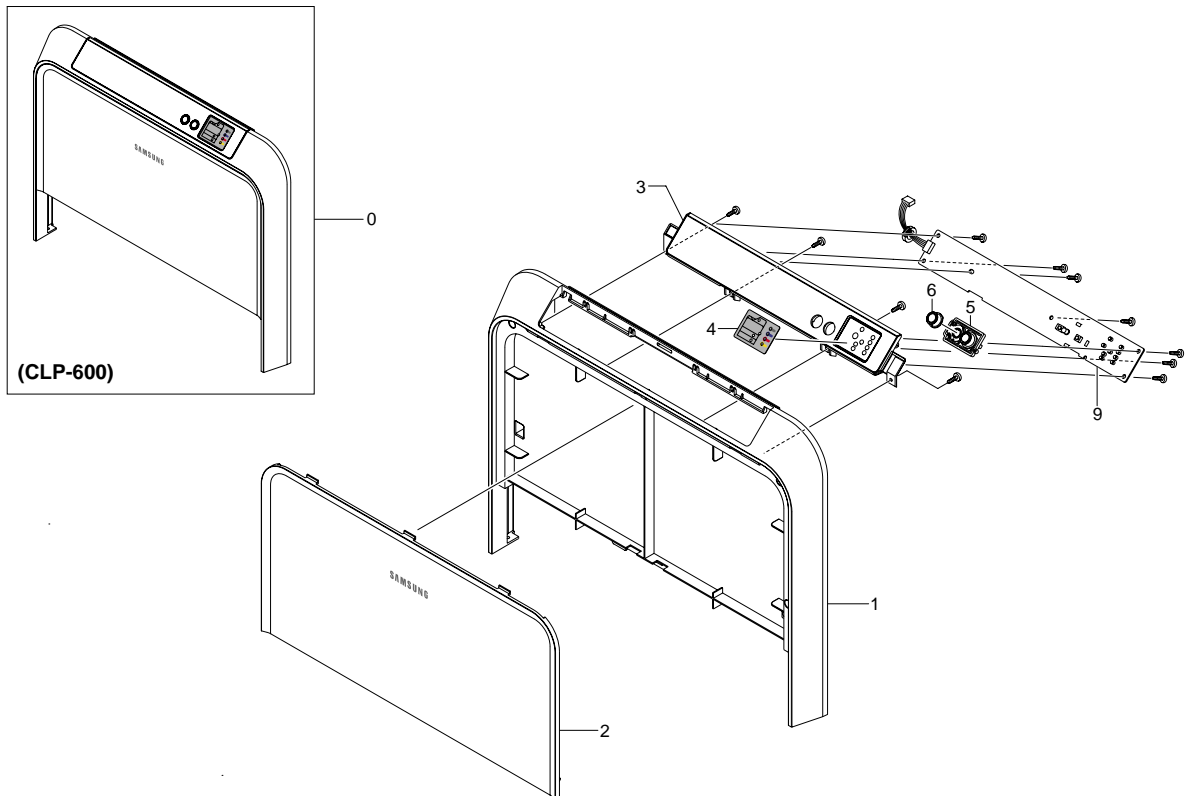
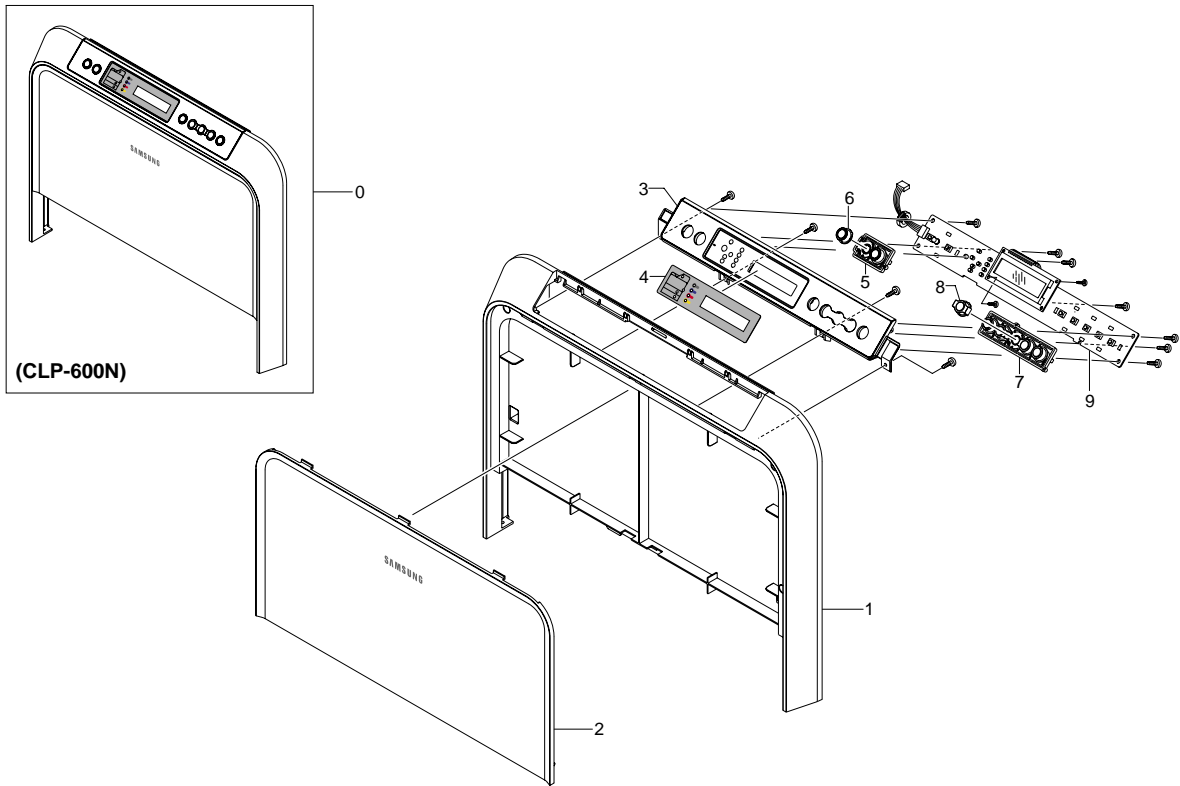
Contents

- 8.1 Main
- 8.2 Front Cover
- 8.3 Top Cover
- 8.4 Right Cover
- 8.5 Base Frame
- 8.6 Main Frame
- 8.7 Fuser
- 8.8 Main Drive
- 8.9 MPF
- 8.10 Pick Up
- 8.11 Guide Paper
- 8.12 Cassette Unit

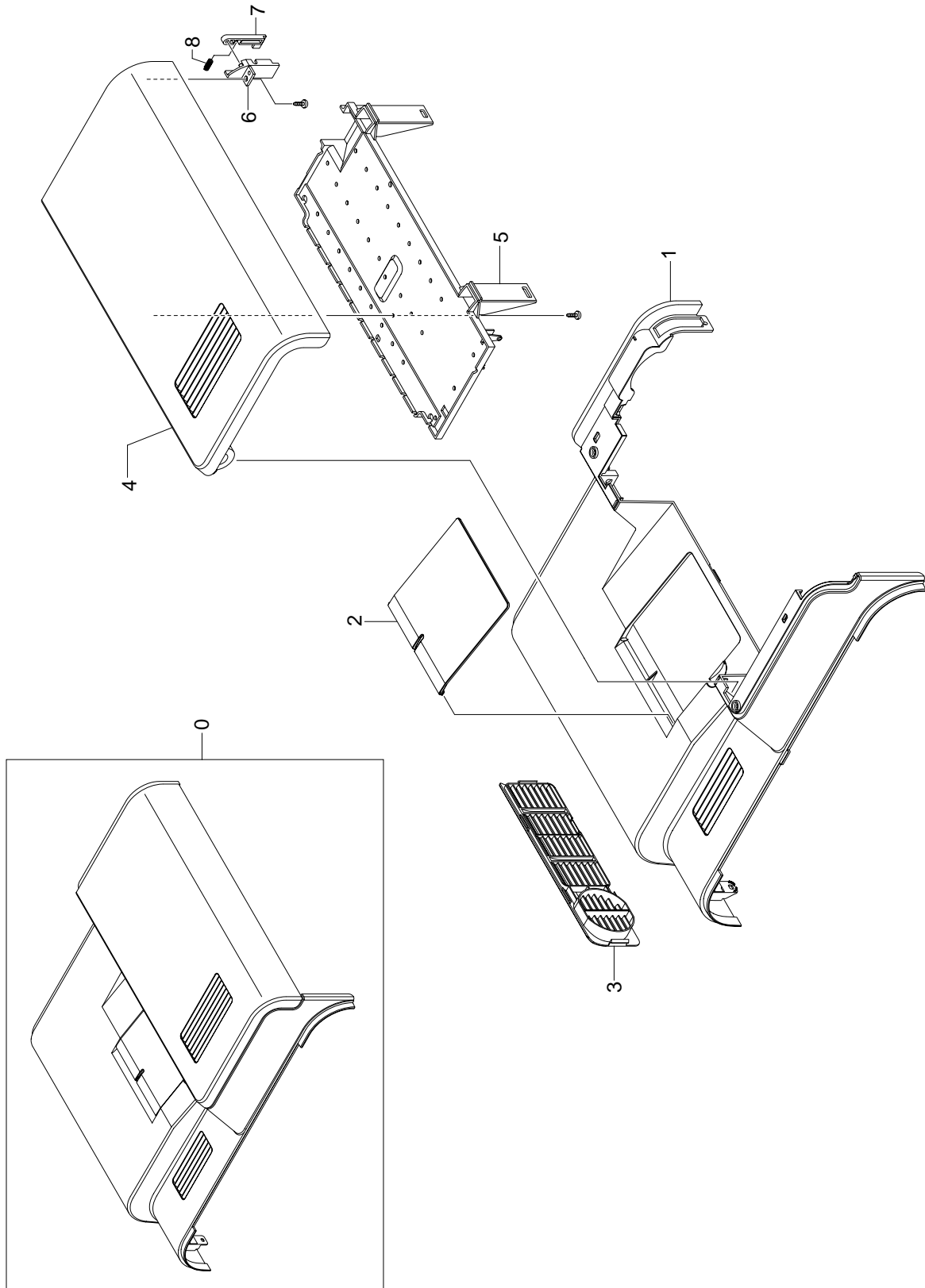
8.1 Main



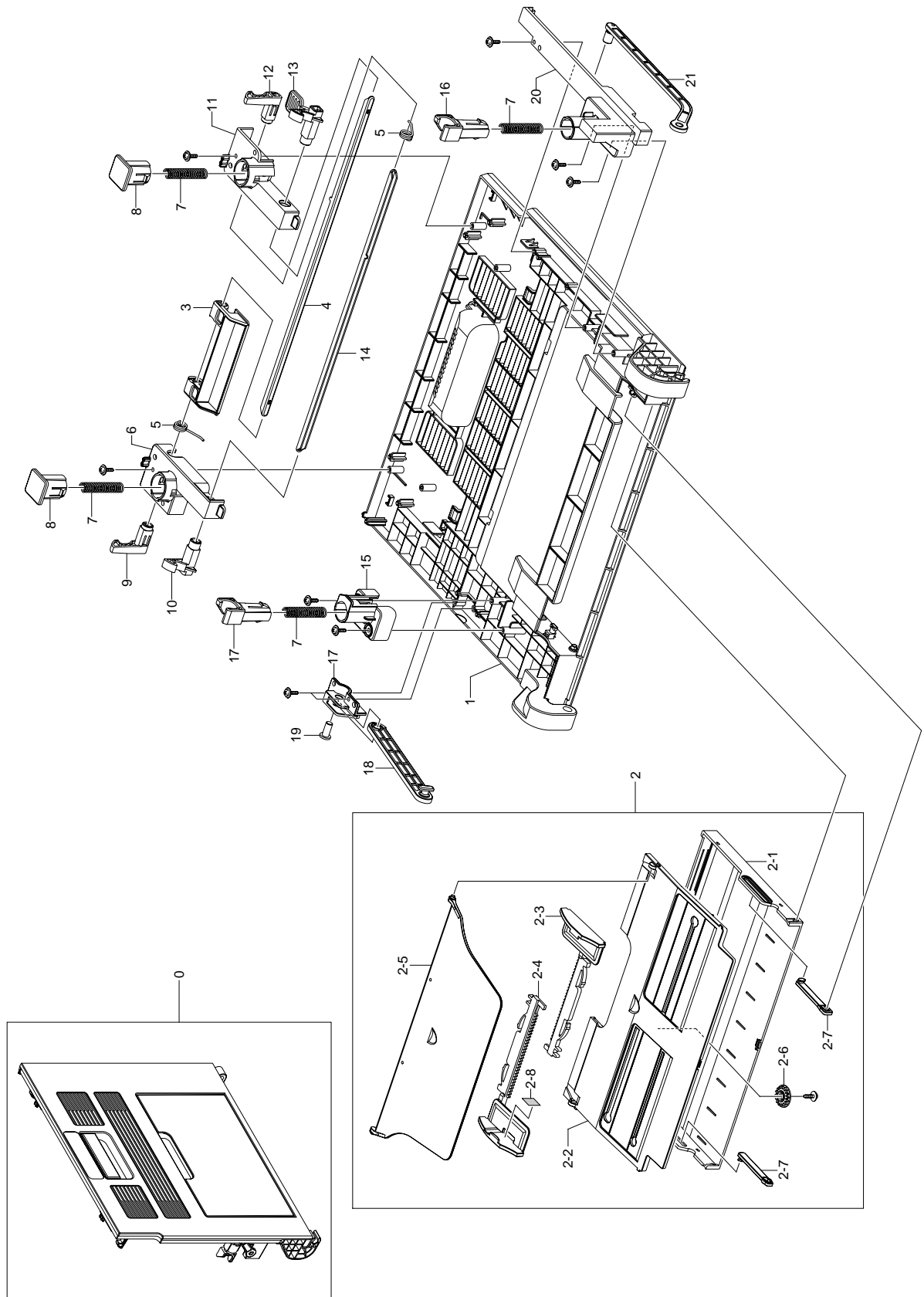
8.2. Front Cover



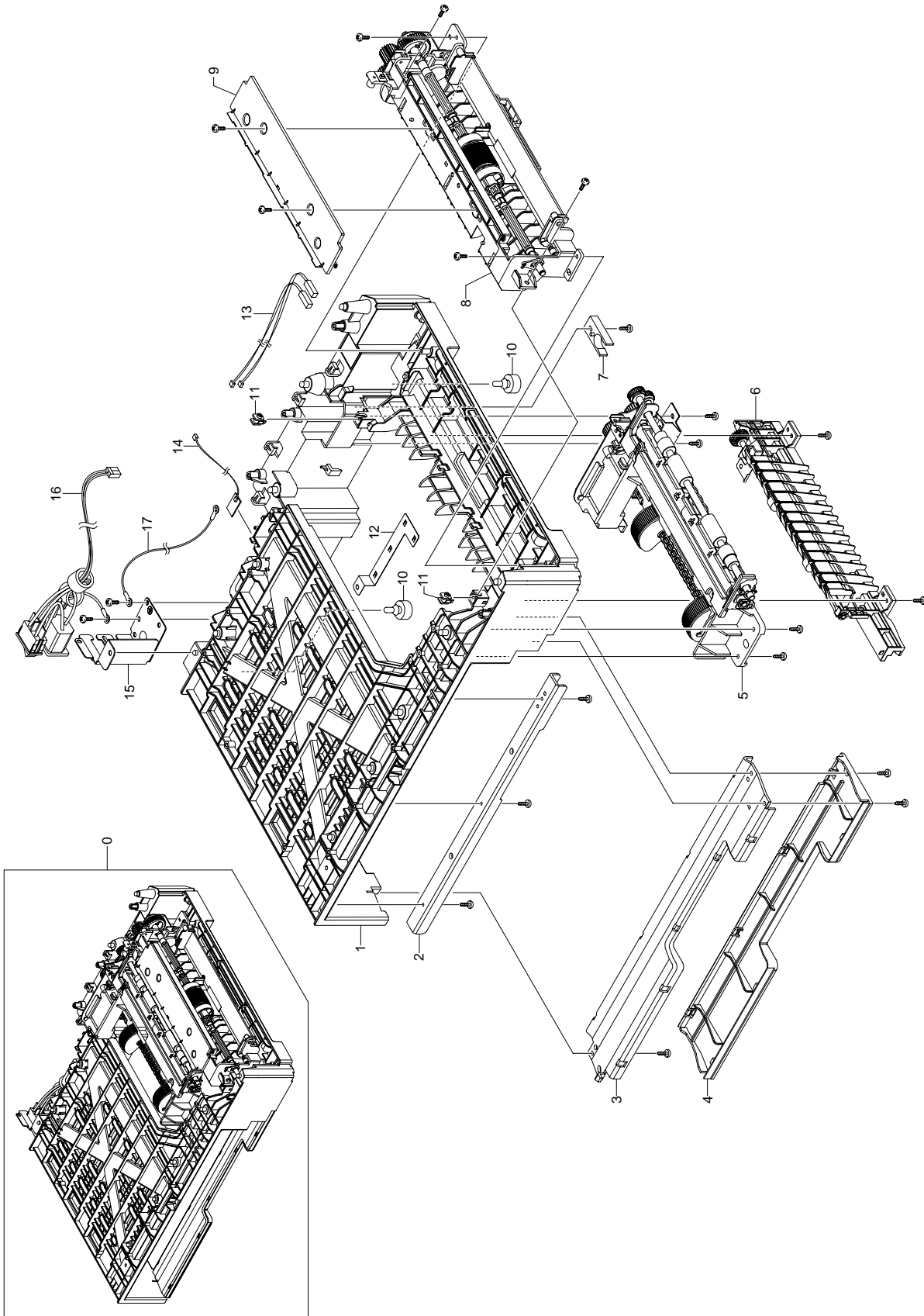
8.3. Top Cover



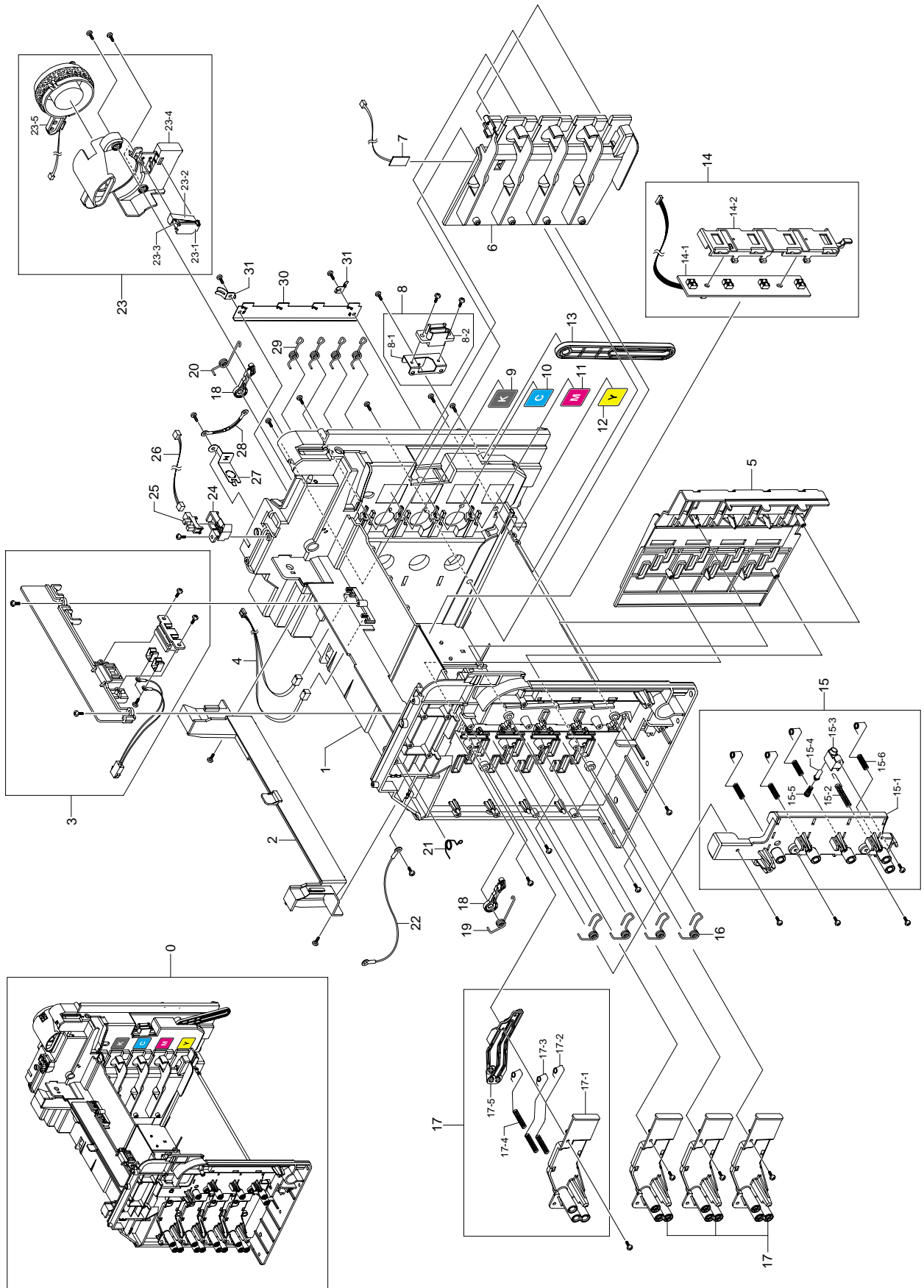
8.4. Right Cover



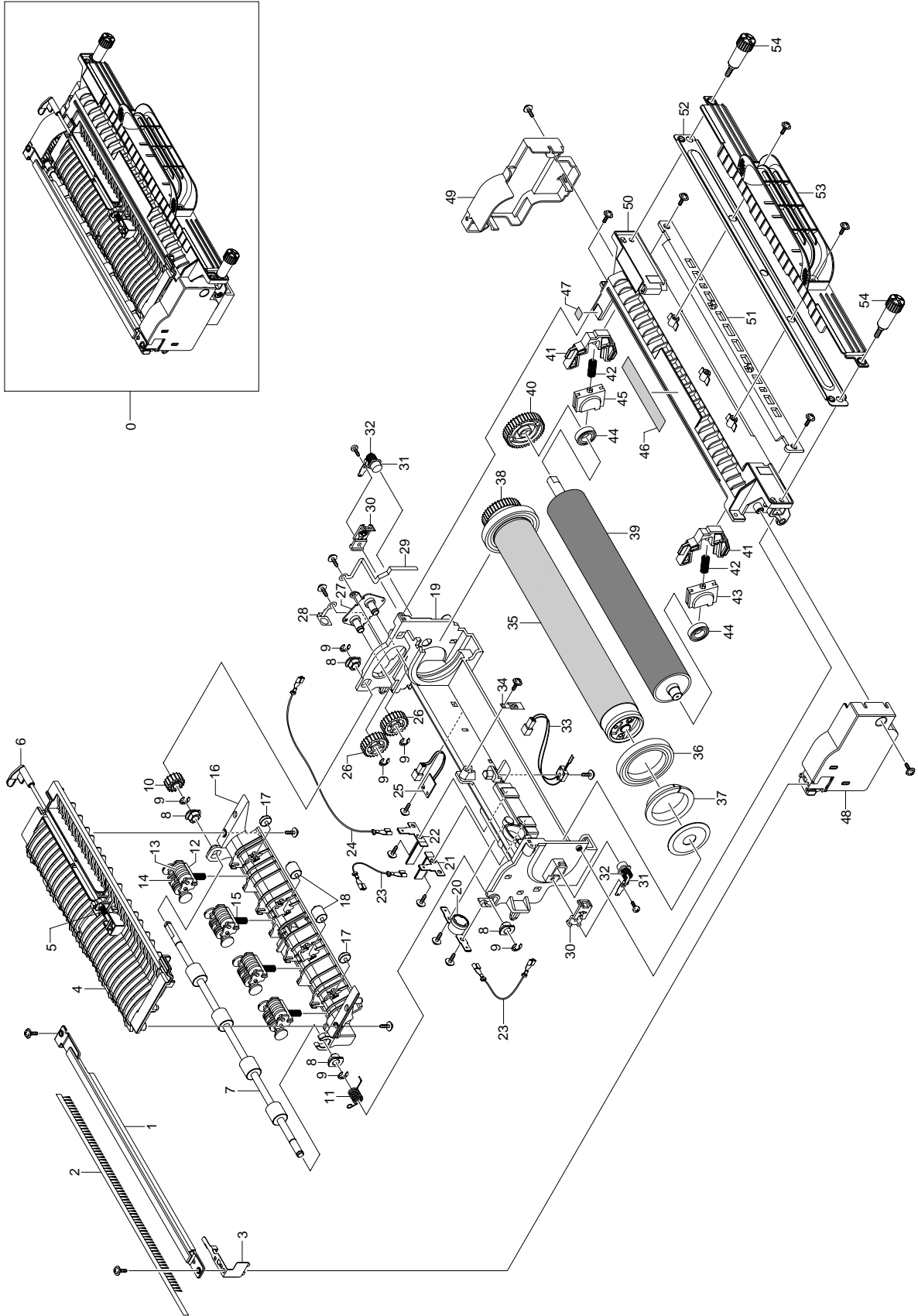
8.5. Base Frame



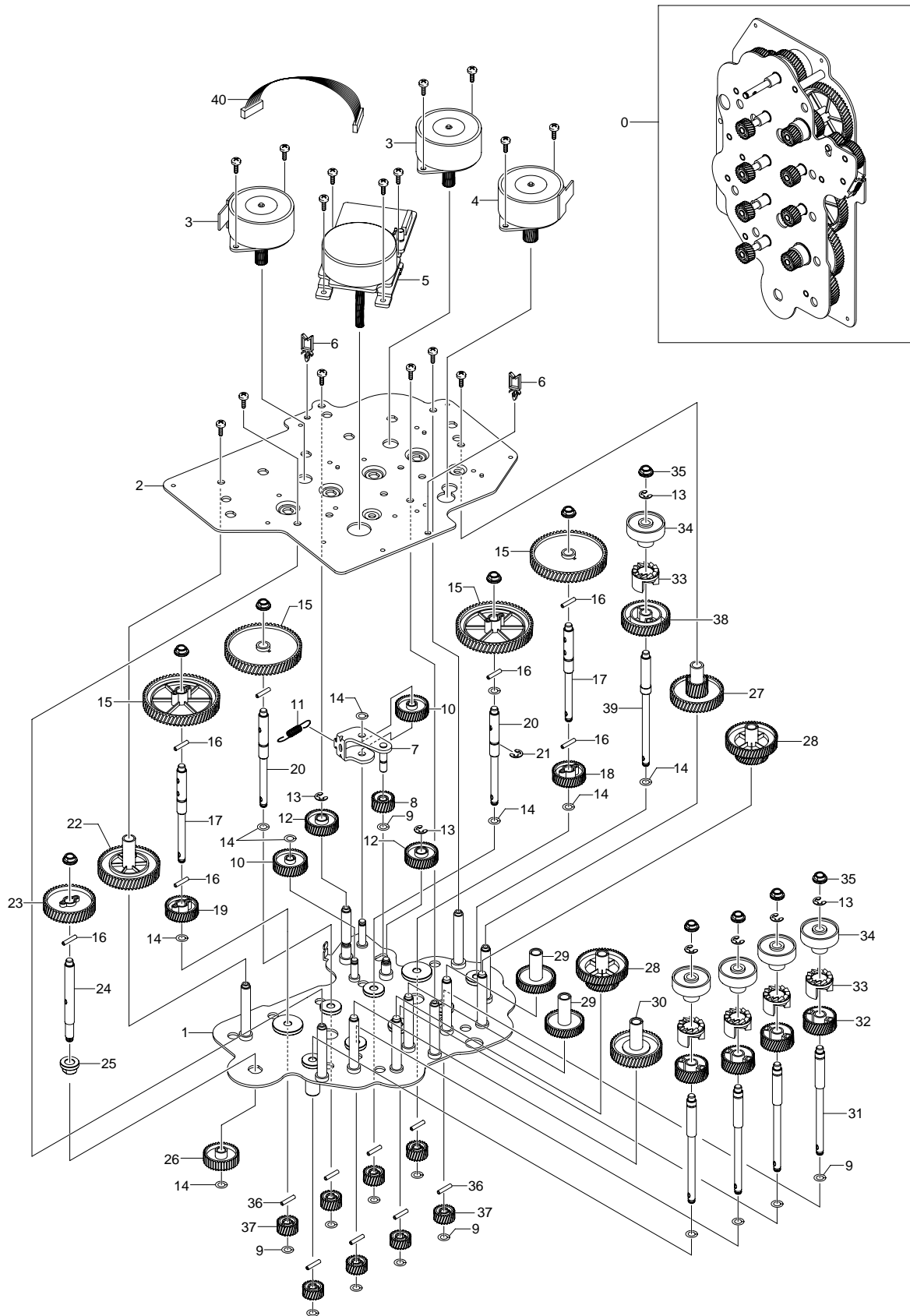
8.6. Main Frame



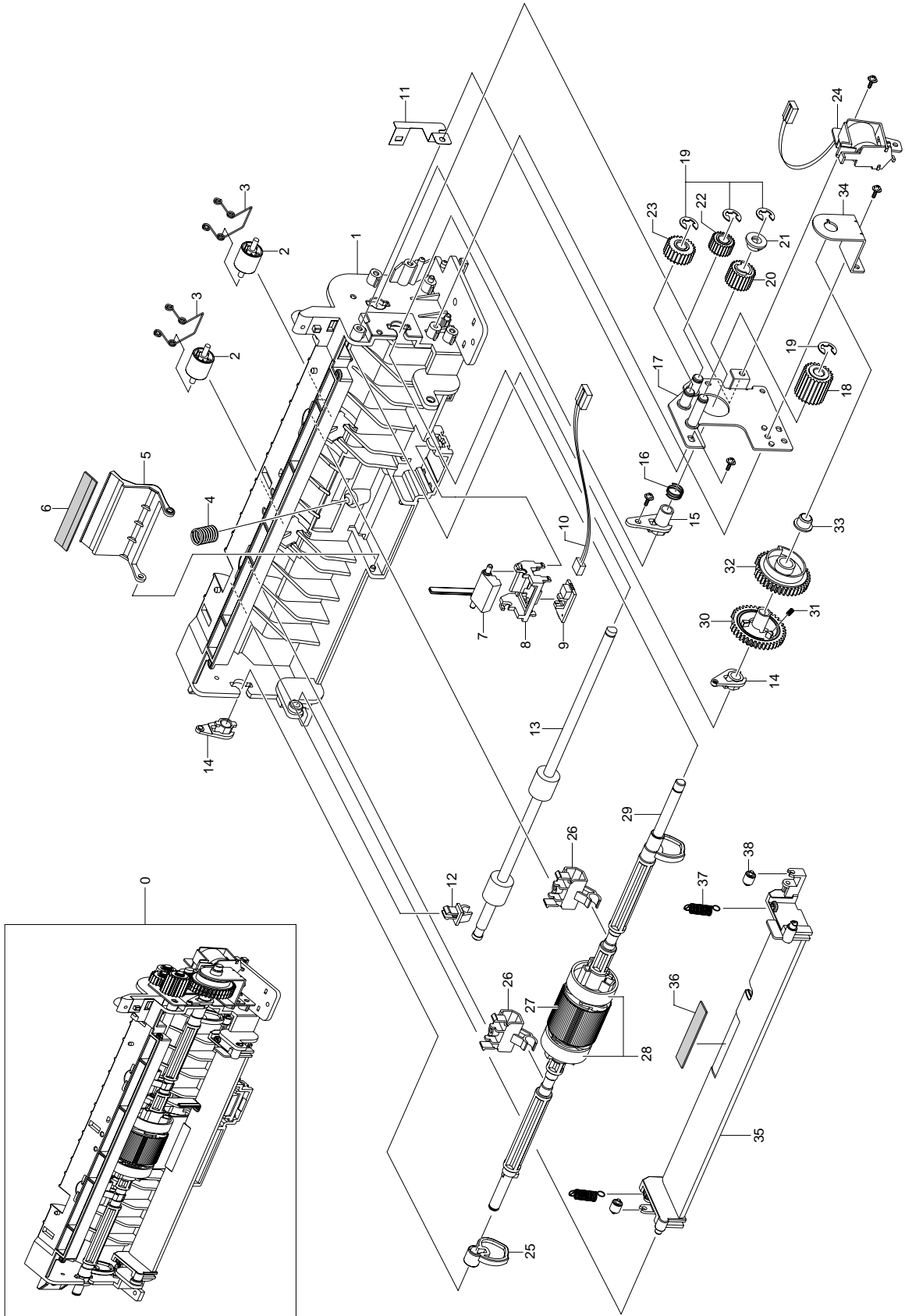
8.7. Fuser



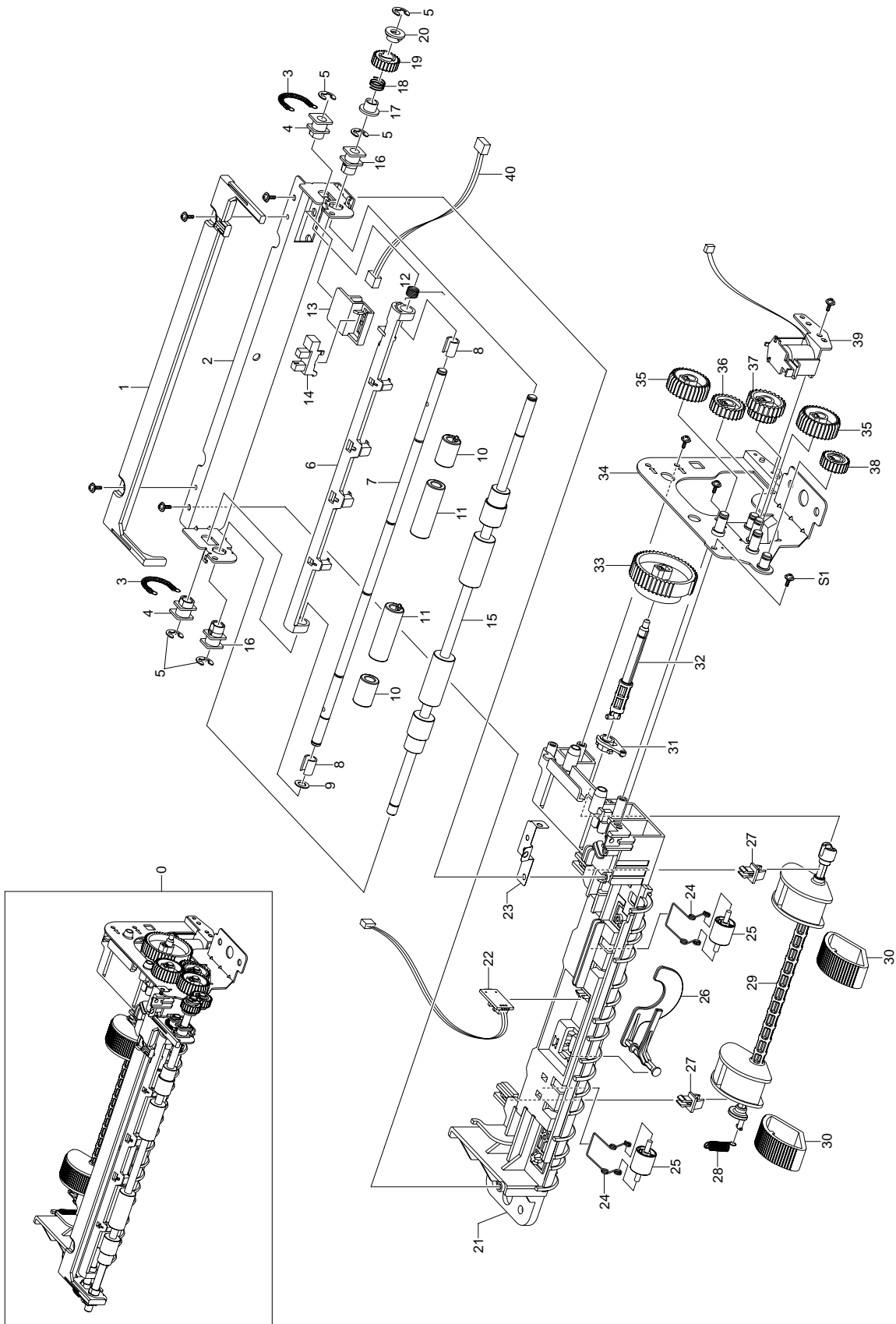
8.8. Main Drive



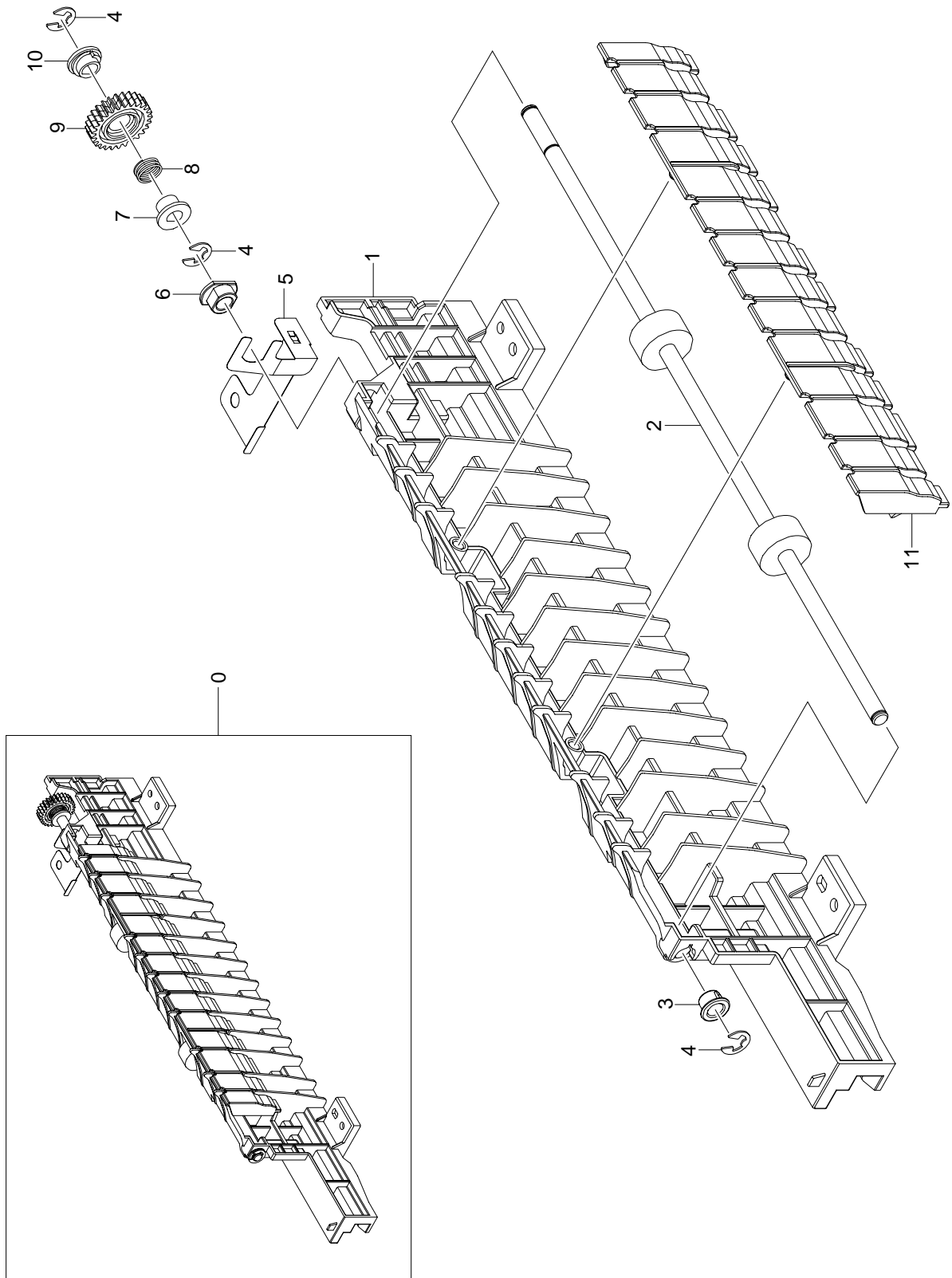
8.9. MPF



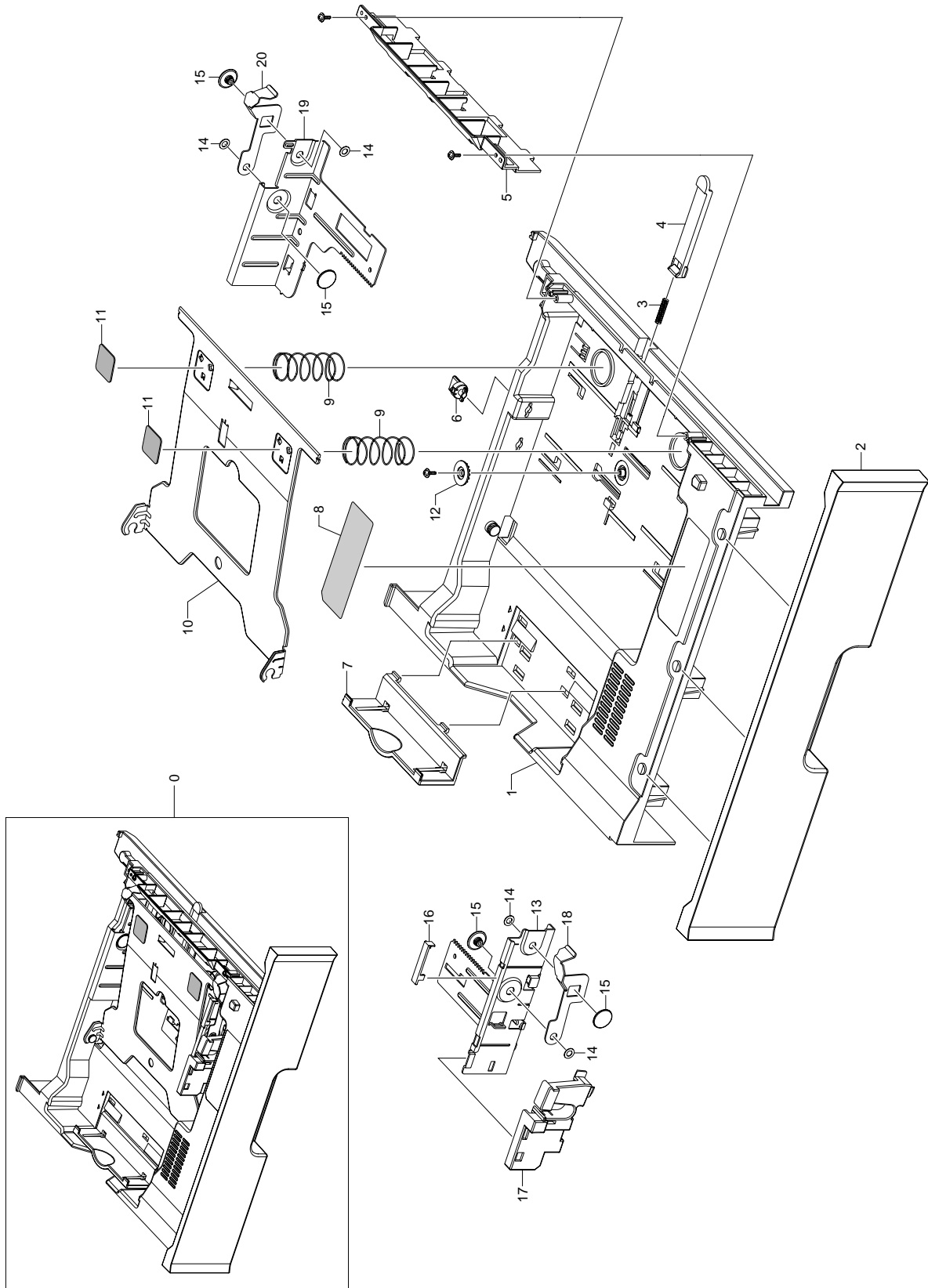
8.10. Pick Up



8.11. Guide Paper



8.12. Cassette Unit



Model Code : CLP-600N/SEE

SA : SERVICE AVAILABLE SNA : SERVICE not AVAILABLE DNA : DELIVERY not AVAILABLE

Draw# (Section-No)	Parts Code	Description & Specification	Location	SA
7.1-1	JC97-02187A	MEA UNIT-FRAME BASE;CLP-600,SEC,EXPORT,-	M0013	SNA
7.1-2	JC97-02151A	MEA UNIT-FRAME MAIN;CLP-600,SEC,EXPORT,-	M0015	SNA
7.1-3	JC63-00585A	COVER- M_GEAR;CLP-600,HIPS,T2.0,W37.1,L9	C0031	SA
7.1-4	JC61-01002A	FRAME-P-FRONT;CLP-600,SECC,-,-,T1.0,W2	F0012	SNA
7.1-5	JC61-01012A	GUIDE- M_BUSH HARNESS S;CLP-600,ABS,2.0,	G0039	SNA
7.1-6	JC61-01004A	FRAME-P-BOTTOM;CLP-600,SECC,-,-,T1.0,W	F0011	SNA
7.1-7	JC61-01046A	BRACKET-P-MPF;CLP-600,SECC,T1.2,W46.5,L2	B0015	SNA
7.1-8	JC61-00998A	BRACKET-P-SHIELD SMPS;CLP-600,SECC,T1.0,	B0018	SNA
7.1-9	JC44-00100A	SMPS-PSP TYPE5_V2C;SCX-4521F,*_AC/DC,-,2	S0014	SNA
7.1-10	JC44-00105A	SMPS-FUSER SUB B'D-V2;CLP-600,*_AC/AC,-,	S0013	SA
7.1-11	JC96-03493A	ELA UNIT-SMPS 220V;CLP-600,SEC,EXPORT,-,	E0020	SA
7.1-12	JC61-01018A	HOUSING- M_MIDDLE PART;CLP-600,HIPS,HB,2	H0023	SA
7.1-13	JC39-00418A	CBF HARNESS-MAIN SMPS;CLP-600,CBF HARNES	C0017	SA
7.1-14	JC44-00098A	HVPS-DAVINCI;-24V,21.6V~27.6V,-,MAX 5KV	H0027	SA
7.1-16	JC59-00022A	UNIT-LSU DAVINCI;CLP-600,-,COLOR 16PPM	U0001	SA
7.1-18	JC96-03437A	ELA UNIT-DUCT LEFT;CLP-600,SEC,EXPORT,-,	E0012	SA
7.1-18-1	JC67-00072A	DUCT- M_FUSER LOWER;CLP-600,ABS,V0,T2.0,	D0002	SNA
7.1-18-2	JC67-00073A	DUCT- M_FUSER UPPER;CLP-600,ABS,V0,T2.0,	D0003	SNA
7.1-18-3	JC31-00012C	FAN-DC INVERTER;AD0624HS-A76GL(SCX-6345		SA
7.1-18-4	JC72-01368A	SPONGE-DUCT;CLP-600,POLYESTER FOAM,-,T2	S0017	SNA
7.1-19	JC61-01003A	FRAME-P-REAR;CLP-600,SECC,-,-,T1.0,W22	F0013	SNA
7.1-20	6502-001093	CABLE CLAMP;DAWS-3NE,ID11*1.34,8,-,NYLON6	C0002	SA
7.1-21	JC92-01659A	PBA SUB-DRIVER;CLP-600,SEC,KOREA,DRIVER,	P0003	SA
7.1-22	JC39-00426A	CBF HARNESS-DRIVER;CLP-600,CBF HARNESS,U	C0010	SA
7.1-23	JC61-00991A	BRACKET-P-CONT LOWER;CLP-600,SECC,T0.8,W	B0006	SA
7.1-25	JC96-03588A	ELA HOU-NPC3 HIGH;CLP-600,SAMSUNG,NPC3,1	E0003	SA
7.1-25-1	JC92-01672A	PBA SUB-NPC3 HIGH;ML-3560,SEC,KOREA,10/1	P0008	SA
7.1-25-2	JC61-00809A	BRACKET- M_NPC;MLC-500,SECC,T0.8,-,-,-	B0005	SNA
7.1-27	JC97-02400A	MEA UNIT-BRKT CONN;CLP-600,SEC,EXPORT,-,	M0007	SA
7.1-27-1	JC70-10234A	IPR-SHIELD SIMM;ML-80,SECC,-,T0.5,-,-,-	I0004	SA
7.1-27-2	JC61-00992A	BRACKET-P-CONT UPPER;CLP-600,SECC,T0.5,W	B0007	SNA
7.1-28	JC96-03369A	ELA UNIT-DRIVE MAIN;CLP-600,SEC,EXPORT,-	E0011	SA
7.1-29	JC96-03438A	ELA UNIT-FUSER 220V;CLP-600,SEC,EXPORT,-	E0015	SA
7.1-30	JC96-03441A	ELA UNIT-DEVE BK SET	E0005	SNA
7.1-31	JC96-03443A	ELA UNIT-DEVE C SET	E0006	SNA
7.1-32	JC96-03445A	ELA UNIT-DEVE M SET	E0008	SNA
7.1-33	JC96-03447A	ELA UNIT-DEVE Y SET	E0009	SNA
7.1-34	JC96-03449A	ELA UNIT-PTB SET	E0019	SNA
7.1-35	JC96-03490A	ELA HOU-COVER F LCD;CLP-600N,SEC,EXPORT,	E0002	SA
7.1-36	JC97-02190B	MEA HOU-COVER LEFT;CLP-600N,SEC,EXPORT,-	M0001	SA
7.1-36-1	JC63-00576B	COVER-M-LEFT;CLP-600N,HIPS,2.5,372.0,288	C0048	SNA
7.1-36-2	JC64-00176A	HANDLE- M_COVER LEFT;CLP-600,HIPS,2.5,28	H0001	SA
7.1-37	JC97-02194A	MEA HOU-COVER TOP;CLP-600,SEC,EXPORT,-,-	M0006	SA
7.1-38	JC97-02242A	MEA HOU-COVER REAR;CLP-600,SEC,EXPORT,-,	M0002	SA
7.1-38-1	JC63-00575A	COVER- M_REAR;CLP-600,HIPS,2.5,464.9,437	C0036	SNA
7.1-38-2	JC63-00192B	COVER-M MAIN REAR DUMMY;CLP-600,HIPS,-,W	C0043	SA
7.1-39	JC97-02191A	MEA HOU-COVER RIGHT;CLP-600,SEC,EXPORT,-	M0004	SA
7.1-40	JC97-02192A	MEA UNIT-CASSETTE;CLP-600,SEC,EXPORT,-,-	M0009	SA
7.1-42	6043-001097	PIN-SPRING;W,D2,L14,-,SUS304 CSP 1/2H,T0	P0015	SNA
7.1-43	JC66-00472A	GEAR-FUSER DRIVE 2_Z30;CLP-500,POM,DEL 5	G0026	SA
7.1-44	6044-000231	RING-E;ID5.0,OD11.0,T0.6,PASS,STS304	R0006	SA
7.2-1	JC63-00581A	COVER- M_DECO;CLP-600,HIPS,2.5,462.0,350	C0025	SA
7.2-2	JC63-00582A	COVER- M_FRONT;CLP-600,ABS,3.0,429.0,221	C0030	SA
7.2-5	JC72-01199B	PMO-OPE KEY 2;CLP-510,ABS,36024,-,-,HB,-	P0047	SA
7.2-6	JC72-01200A	PMO-OPE KEY 2 CAP;CLP-500,PMMA,MILKY WHI	P0046	SA
7.2-7	JC72-01197C	PMO-M OPE KEY 1;CLP-600,ABS,SOLITARY BLU	P0045	SA
7.2-3	JC63-00613A	COVER- M_OP FRAME LCD;CLP-600,HIPS,T2.5,	C0035	SA
7.2-4	JC63-00642A	SHEET-COVER OP LCD;CLP-600,PC SHEET,T0.5	S0011	SA
7.2-8	JC72-01198C	PMO-M OPE KEY 1 CAP;CLP-600,ABS,SOLITARY	P0044	SA
7.2-9	JC92-01675A	PBA SUB-LCD_PANEL;CLP-600,SEC,KOREA,LCD	P0005	SA
7.3-1	JC63-00574A	COVER- M_TOP;CLP-600,HIPS,2.5,386.7,465,	C0041	SNA
7.3-2	JC63-00588A	COVER- M_STACKER;CLP-600,ABS,T2.5,W119.5	C0040	SA
7.3-3	JC63-00590A	COVER- M_VENT;CLP-600,HIPS,T2.5,W215.0,L	C0042	SNA
7.3-4	JC63-00578A	COVER- M_EXIT;CLP-600,HIPS,2.5,370.0,198	C0029	SNA
7.3-5	JC63-00579A	COVER- M_AIR DUCT;CLP-600,PC+GF20%,2.5,3	C0024	SA
7.3-6	JC63-00580A	COVER- M_ACTUATOR SENSOR;CLP-600,HIPS,2,	C0023	SNA
7.3-7	JC66-00798A	LEVER- M_ACTUATOR SENSOR;CLP-600,POM,T2,	L0011	SA
7.3-8	JC61-00047A	SPRING ETC-TR L HAWK;ML-6060A,SWP-B,-,-,	S0033	SA
7.4-1	JC63-00589A	COVER- M_RIGHT;CLP-600,HIPS,T2.5,W370.0,	C0037	SA
7.4-2	JC97-02405A	MEA UNIT-COVER MPF;CLP-600,SEC,EXPORT,-,	M0010	SA
7.4-2-1	JC63-00584A	COVER- M_MP;CLP-600,HIPS,T2.5,257.4,L160	C0034	SNA

SA : SERVICE AVAILABLE SNA : SERVICE not AVAILABLE DNA : DELIVERY not AVAILABLE

Draw# (Section-No)	Parts Code	Description & Specification	Location	SA
7.4-2-2	JC63-00586A	COVER- M_INNER MP;CLP-600,HIPS,T2.0,W252	C0033	SNA
7.4-2-3	JC61-01043A	GUIDE- M_SIDE MP L;CLP-600,HIPS,-,W131.9	G0049	SNA
7.4-2-4	JC61-01042A	GUIDE- M_SIDE MP R;CLP-600,HIPS,T1.5,W13	G0050	SNA
7.4-2-5	JC72-00778B	PMO-TRAY EXIT MP;CLP-500,HIPS,LIGHT GRAY	P0050	SA
7.4-2-6	JG66-40003A	GEAR-PINION;SF4000,POM,WHT,M1,Z16	G0035	SA
7.4-2-7	JC63-00587A	TRAY- M_LINK MP L;CLP-600,HIPS,T3.0,W55.	T0003	SA
7.4-2-8	JC68-01528A	LABEL(R)-HEIGHT MP;COMMON,KOREA,PC,T0.7,	L0005	SNA
7.4-3	JC64-00179A	HANDLE- M_COVER R;CLP-600,HIPS,T2.5,W98.	H0002	SNA
7.4-4	JC61-01050A	BRACKET-P-COVER LOCK;CLP-600,SECC,T1.2,W	B0008	SNA
7.4-5	6107-001206	SPRING-TS;SUS304-WPB,BLACK,PI1.5,D10,L5,	S0043	SNA
7.4-6	JC61-01057A	HOLDER- M_UPPER R;CLP-600,HIPS,HB,T2.5,W	H0018	SNA
7.4-7	6107-001247	SPRING-CS;STS304-WPB,-,PI1,D8,L44,-,-,ID	S0034	SNA
7.4-7	6107-001194	SPRING-CS	S0032	SNA
7.4-8	JC61-01053A	GUIDE- M_SUPPORTER UPPER;CLP-600,HIPS,HB	G0052	SNA
7.4-9	JC72-01082A	PMO-COVER DUP LOCKER R;CLP-500,POM,WHITE	P0037	SA
7.4-10	JC64-00178A	LOCKER- M_PT B REAR;CLP-600,POM,WHT,HB,-,	L0017	SA
7.4-11	JC61-01058A	HOLDER- M_UPPER F;CLP-600,HIPS,HB,T2.5,W	H0017	SNA
7.4-12	JC72-01081A	PMO-COVER DUP LOCKER F;CLP-500,POM,WHITE	P0036	SA
7.4-13	JC64-00177A	LOCKER- M_PT B FRONT;CLP-600,PC+ABS,87182	L0016	SA
7.4-14	JC61-01051A	BRACKET-P-PT B LOCK;CLP-600,SECC,T1.2,W29	B0017	SNA
7.4-15	JC61-01055A	HOLDER- M_LOWER R;CLP-600,HIPS,HB,T2.5,W	H0013	SNA
7.4-16	JC61-01052A	GUIDE- M_SUPPORTER LOWER;CLP-600,HIPS,HB	G0051	SNA
7.4-17	JC61-01125A	HOLDER- M_LINK;CLP-600,HIPS,HB,T2.5,W19.	H0011	SNA
7.4-18	JC66-00777A	LINK- M_REAR 2;CLP-600,POM,L135.0,T4.5,-	L0014	SA
7.4-19	JC66-00835A	SHAFT-HINGE LINK;CLP-600,SUM24L,L14.5,ØS	S0005	SNA
7.4-20	JC61-01056A	HOLDER- M_LOWER F;CLP-600,HIPS,HB,T2.5,2	H0012	SNA
7.4-21	JC66-00778A	LINK- M_FRONT;CLP-600,POM,L185.3,T3.7,-,	L0012	SA
7.5-1	JC61-01005A	FRAME- M_BASE BOTTOM;CLP-600,HIPS,HR-136	F0004	SA
7.5-2	JC70-00390A	IPR-CHANNEL FRAME BASE;CLP-500,SECC,-,T1	I0003	SA
7.5-3	JC63-00207A	COVER-M-BASE BAR;CLP-500,HIPS,-,-,HB,-	C0044	SA
7.5-4	JC70-00379A	IPR-BRKT BASE BAR;CLP-500,SECC,-,T1.6,-,	I0002	SA
7.5-5	JC97-02149A	MEA UNIT-PICK UP;CLP-600,SEC,EXPORT,-,-,	M0019	SA
7.5-6	JC61-00685A	HOUSING-M-PICK UP MP;ML-2150,PC+ABS,-,-,	H0025	SA
7.5-7	JC66-00050A	CAM-CATCH;ML-9400W,POM,-,34;¿;18;¿;7,WHITE S	C0004	SA
7.5-8	JC96-03332A	ELA UNIT-MPF;CLP-600,SEC,EXPORT,-,-,-,-	E0018	SA
7.5-9	JC61-01147A	GUIDE- M_PAPER MP;CLP-600,HIPS,T3.0,W234	G0043	SNA
7.5-10	JC61-40001A	FOOT-ML80;ML-80,NBR,-,GRAY,-,-,-	F0003	SA
7.5-11	JC63-00175A	COVER-SCREW LOCKING MP;CLP-500,POM,-,-,-	C0050	SA
7.5-12	JC61-01016A	PLATE-P-GROUND SCF MAIN;CLP-600,SUS304,T	P0026	SNA
7.5-13	JC39-00433A	CBF HARNESS-THER;CLP-600,CBF HARNESS,UL1	C0021	SA
7.5-14	JC92-01660A	PBA SUB-TEMP_SENSOR;CLP-600,SEC,KOREA,TE	P0010	SA
7.5-15	JC61-00999A	BRACKET-P-POWER;CLP-600,SECC,T1.2,W41.5,	B0016	SNA
7.5-16	JC39-00452A	CBF HARNESS-AC_INLET;CLP-600,CBF HARNESS	C0008	SA
7.6-1	JC61-01001A	FRAME- M_MAIN;CLP-600,ABS+GF20%,VB-4921,	F0007	SNA
7.6-2	JC63-00577A	COVER- M_EXIT GUIDE;CLP-600,ABS,HB,2.5,2	C0027	SA
7.6-3	JC96-03772A	ELA UNIT-HOLDER AC;CLP-600,SEC,EXPORT,-,	E0016	SA
7.6-4	JC39-00424A	CBF HARNESS-EXIT;CLP-600,CBF HARNESS,UL1	C0011	SA
7.6-5	JC61-01007A	GUIDE- M_RAIL FRONT;CLP-600,PC+ABS,V0,-,	G0045	SA
7.6-6	JC61-01006A	GUIDE- M_RAIL REAR;CLP-600,PC+ABS, V0,-,	G0046	SA
7.6-7	JC92-01789A	PBA SUB-TEMP;CLP-600,SED,KOREA,-,-,-,-		SNA
7.6-8	JC96-03771A	ELA UNIT-BRKT DRAW;CLP-600,SEC,EXPORT,-,	E0004	SA
7.6-9	JC68-01503A	LABEL(R)-BK;COMMON,-,PVC,T0.12,W15.0,L7.	L0002	SNA
7.6-10	JC68-01504A	LABEL(R)-C;COMMON,-,PVC,T0.12,W15.0,L7.0	L0003	SNA
7.6-11	JC68-01505A	LABEL(R)-M;COMMON,-,PVC,T0.12,W15.0,L7.0	L0007	SNA
7.6-12	JC68-01506A	LABEL(R)-Y;COMMON,-,PVC,T0.12,W15.0,L7.0	L0008	SNA
7.6-13	JC66-00776A	LINK- M_REAR 1;CLP-600,POM,L112.4,T4.5,-	L0013	SA
7.6-14	JC96-03366A	ELA UNIT-DEVE CRUM;CLP-600,SEC,EXPORT,-,	E0007	SNA
7.6-14-1	JC92-01671A	PBA SUB-DEVE_CRUM_IF;CLP-600,SEC,KOREA,D	P0002	SA
7.6-14-2	JC63-00571A	COVER- M_DEVE CRUM BD;CLP-600,HIPS,2.0,1	C0026	SA
7.6-15	JC97-02402A	MEA UNIT-PTB TERMINAL;CLP-600,SEC,EXPORT	M0020	SA
7.6-15-1	JC61-01011A	GUIDE- M_PT B TERMINAL;CLP-600,ABS,2.0,23	G0044	SA
7.6-15-2	JC70-00508A	ELECTRODE-HV F;CLP-600,SUS304WPB,Ø5,L32	E0026	SA
7.6-15-3	JC61-01010A	GUIDE- M_TERMINAL CH;CLP-600,ABS,2.0,15.	G0053	SA
7.6-15-4	JC97-01401A	MEA UNIT-TERMINAL.TR;ML-5000A,SAMSUNG,KO		SA
7.6-15-6	JC70-00513A	ELECTRODE-HV E;CLP-600,SUS304WPB,Ø5,L32	E0025	SA
7.6-16	JC61-01264A	SPRING ETC-OPC F;CLP-600,SUS304 ,1.5,6.5	S0026	SA
7.6-17	JC97-02403A	MEA UNIT-DEV TERMINAL;CLP-600,SEC,EXPORT	M0011	SA
7.6-17-1	JC61-01008A	GUIDE- M_TERMINAL UPPER;CLP-600,ABS,2.0,	G0055	SA
7.6-17-2	JC70-00505A	ELECTRODE-HV C;CLP-600,SUS304 WPB DU NI-	E0023	SA
7.6-17-3	JC70-00504A	ELECTRODE-HV B;CLP-600,SUS304 WPB DU NI-	E0022	SA
7.6-17-4	JC70-00503A	ELECTRODE-HV A;CLP-600,SUS304 WPB DU NI-	E0021	SA
7.6-17-5	JC61-01009A	GUIDE- M_TERMINAL LOWER;CLP-600,ABS,2.0,	G0054	SA
7.6-18	JC61-01019A	HOLDER- M_PT B LOCKER;CLP-600,POM,3.0,-,3	H0015	SNA
7.6-19	JC61-01265A	SPRING ETC-PTB F;CLP-600,SUS304 ,1.5,6.5	S0029	SA
7.6-20	JC61-01266A	SPRING ETC-PTB R;CLP-600,SUS304 ,1.5,6.5	S0030	SA

SA : SERVICE AVAILABLE SNA : SERVICE not AVAILABLE DNA : DELIVERY not AVAILABLE

Draw# (Section-No)	Parts Code	Description & Specification	Location	SA
7.6-21	JC70-00506A	ELECTRODE-HV D;CLP-600,SUS304WPB,φ10.0	E0024	SA
7.6-22	JC39-00509A	CBF HARNESS-GND ZENER;SCX-4521F,-,UL1007		SA
7.6-23	JC96-03770A	ELA UNIT-DUCT REAR;CLP-600,SEC,EXPORT,-,	E0013	SNA
7.6-23-1	JC61-01061A	HOLDER- M_SWITCH;CLP-600,HIPS,HB,T2.0,W3	H0016	SA
7.6-23-2	JC61-00707A	PLATE-S/W DUPLEX;CLP-600,SUS304 1/2H,T0.	P0028	SA
7.6-23-3	JC39-00454A	CBF HARNESS-SWITCH;CLP-600,CBF HARNESS,U	C0020	SA
7.6-23-4	JC67-00074A	DUCT- M_FUSER FAN;CLP-600,HIPS,HB,T2.0,W	D0001	SA
7.6-24	JC61-01077A	HOUSING- M_SENSOR EXIT;CLP-600,HIPS,HB,T	H0024	SNA
7.6-25	0604-001154	PHOTO-INTERRUPTER;TR,0.2-1.0MA,80MW,DIP,	P0012	SA
7.6-25	0604-001264	PHOTO-INTERRUPTER		SA
7.6-26	JC39-00428A	CBF HARNESS-MP 1;CLP-600,CBF HARNESS,UL1	C0018	SA
7.6-27	JC61-01020A	PLATE-P-GROUND FUSER;CLP-600,SUS304,T0.2	P0023	SNA
7.6-28	JC39-00302A	CBF HARNESS-100M_GND;CLP-600,-,-,1 PIN,5	C0007	SA
7.6-29	JC61-01267A	SPRING ETC-OPC R;CLP-600,SUS304 1.5,6.5	S0027	SA
7.6-30	JC61-01014A	PLATE-P-GROUND OPC;CLP-600,SECC,T0.5,W15	P0024	SNA
7.6-31	JC61-01015A	PLATE-P-GROUND DRIVE;CLP-600,SUS304,T0.2	P0022	SNA
7.7-1	JC63-00594A	COVER- M_EXIT ROLLER;CLP-600,PET GF30%,T	C0028	SNA
7.7-2	JC75-00095A	MEC-BRUSH ANTISTATIC;ML-6060A,SEC,NTR	M0022	SA
7.7-3	JC63-00837A	GROUND-P-COVER EXIT;CLP-600,SUS304,T0.2,	G0036	SA
7.7-4	JC61-01064A	GUIDE- M_DUPLEX;CLP-600,PET+GF30%,5V,T2.	G0040	SNA
7.7-5	JC61-01271A	SPRING ETC-ACTUATOR;CLP-600,SUS304 ,0.35	S0018	SA
7.7-6	JC66-00784A	LEVER- M_ACTUATOR EXIT;CLP-600,PET GF30%	L0010	SA
7.7-7	JC66-00783A	ROLLER-EXIT;CLP-600,SUM24L+EPDM,φ8.0+φ0.5N	R0009	SNA
7.7-8	JC61-00423A	BUSH-6_D;ML-9400W,BEARING OIL,-,-,NTR,	B0025	SA
7.7-9	6044-000125	RING-E;ID4,OD9,T0.6,PASS,STSC	R0004	SA
7.7-10	JC66-00782A	GEAR- M_EXIT;CLP-600,POM,M1.0,Z14,-,WHT,	G0005	SA
7.7-12	JC61-00547A	HOLDER-EXIT(MC);SCX-5312F,PC,-,-,WHITE	H0019	SNA
7.7-13	JC72-41007A	PMO-ROLLER FD F;ML-165,POM,BLACK,-,-,-,-	P0048	SA
7.7-15	JC61-70911A	SPRING ETC-EXIT ROLL FD;ML-165,SUS304 WP	S0021	SA
7.7-16	JC61-01065A	GUIDE- M_OUTPUT;CLP-600,PET+GF30%,5V,T2.	G0042	SNA
7.7-17	JC66-00608A	ROLLER-EXIT IDLE;CLP-600,TEFLON,PI10.5,L	R0008	SNA
7.7-18	JC72-20901A	PEX-ROLLER EXIT F_UP;ML-5000A,TEFLON,WHI	P0011	SA
7.7-19	JC61-01062A	FRAME- M_UPPER FUSER;CLP-600,PET+GF30%,B	F0008	SNA
7.7-20	4712-001027	THERMOSTAT;125/250VAC,15/7.5A,170+5C,0C	T0002	SA
7.7-21	JC70-00488A	ELECTRODE-P-TERMINAL L;CLP-600,C5210P,T0	E0027	SA
7.7-22	JC70-00489A	ELECTRODE-P-TERMINAL R;CLP-600,C5210P,T0	E0028	SA
7.7-23	JC39-00506A	CBF HARNESS-FUSER1;CLP-600,CBF HARNESS,U	C0012	SA
7.7-24	JC39-00444A	CBF HARNESS-FUSER2;CLP-600,CBF HARNESS,U	C0013	SA
7.7-25	JC92-01752A	PBA SUB-NEW_FUSER;CLP-600,SEC,KOREA,13*1	P0007	SA
7.7-26	JC66-00781A	GEAR- M_EXIT IDLE;CLP-600,PBT,M1.0,Z22,-	G0004	SA
7.7-27	JC61-01070A	BRACKET-P-IDLE GEAR;CLP-600,SECC,T1.0,W3	B0012	SNA
7.7-28	JC63-00647A	GROUND-P-FUSER B;CLP-600,SUS304,T0.3,W17	G0037	SNA
7.7-29	JC63-00648A	GROUND-P-FUSER BALL;CLP-600,SUS304,T0.3,	G0038	SNA
7.7-30	JC63-00643A	COVER-M-CARBON BRUSH;CLP-600,PET GF 30%,	C0045	SNA
7.7-31	JC67-00104A	BRUSH-CARBON;ML-3560,SM190,-,D9.9,5,-,-	B0020	SNA
7.7-32	6107-001172	SPRING-CS;SUS304,-,PI0.5,D6.7,L17.5,-,-,	S0035	SA
7.7-33	1404-001359	THERMISTOR-NTC ASSY;1KOHM,-,4537K,0.25MW	T0001	SA
7.7-35	JC66-00799A	ROLLER-HEAT;CLP-600,AL5052+RUBBER,D36.4,	R0011	SNA
7.7-36	6601-001340	BEARING-BALL;6808ZZ,ID40,OD52,L7,SUJ2,-	B0001	SNA
7.7-37	JC61-01144A	BUSH- M_BALL BEARING;CLP-600,PPS,ID34.6,	B0021	SNA
7.7-38	JC66-00780A	GEAR- M_CAP;CLP-600,PPS+PTEE+GF,M1.0,Z36	G0001	SA
7.7-39	JC66-00800A	ROLLER-PRESSURE;CLP-600,STKM+RUBBER,D36.	R0016	SA
7.7-40	JC67-00071A	CAP- M_END;CLP-600,PPS+PTEE+GF,T14.5,OD3	C0005	SNA
7.7-41	JC61-01176A	HOLDER-M-SPRING PR;CLP-600,PET+GF30%,-,W	H0022	SNA
7.7-42	6107-001248	SPRING-CS;SWP-B,-,PI1.3,D6.8,L19.5,-,-,I	S0040	SNA
7.7-44	6601-001341	BEARING-BALL;688ZZ,ID8,OD16,L5,SUJ2,-	B0002	SNA
7.7-45	JC61-01126A	HOLDER- M_FUSER GEAR;CLP-600,PPS+PTEE+GF	H0007	SNA
7.7-46	JC68-01581A	LABEL(P)-CAUTION HOT;COMMON,SAMSUNG,PET,	L0001	SNA
7.7-47	JC68-00407A	LABEL(R)-HV FUSER;ML-6060,PVC,-,220V,-,	L0006	SNA
7.7-48	JC63-00592A	COVER- M_SIDE L;CLP-600,PET GF30%,T2.5,W	C0038	SNA
7.7-49	JC63-00593A	COVER- M_SIDE R;CLP-600,PET GF30%,T2.5,W	C0039	SNA
7.7-50	JC61-01063A	FRAME- M_LOWER FUSER;CLP-600,PET+GF30%,B	F0006	SNA
7.7-51	JC61-01066A	GUIDE- M_INPUT;CLP-600,PET+GF30%,5V,T3.0	G0041	SNA
7.7-52	JC61-01069A	BRACKET-P-GUIDE FRAME;CLP-600,SECC,T0.8,	B0010	SNA
7.7-53	JC63-00644A	COVER-M-FRAME FUSER;CLP-600,PC,T3,W309.0	C0047	SNA
7.7-54	JC64-00186A	HANDLE-M-FIX FUSER;CLP-600,PC+SUM,-,-,L4	H0003	SA
7.8-1	JC61-00996A	BRACKET-P-MAIN FRONT;CLP-600,SECC,T1.2,W	B0013	SNA
7.8-2	JC61-00997A	BRACKET-P-MAIN REAR;CLP-600,SECC,T1.2,W1	B0014	SNA
7.8-3	JC31-00041A	MOTOR DC-DEVE DRIVE;50M843A152,CLP-600,2	M0024	SA
7.8-4	JC31-00037C	MOTOR STEP-FU, DRIVE;M55SP-2NK,CLP-600,1	M0025	SA
7.8-7	JC66-00755A	LINK-P-ITB;CLP-600,SECC,L36.22,T1.6,φ6.S	L0015	SA
7.8-8	JC66-00748A	GEAR- M_PT B DRIVE2_Z30;CLP-600,POM,M0.6,	G0019	SA
7.8-9	6031-001255	WASHER-PLAIN;NYLON,CUTTING,ID5,OD9,T0.5,	W0004	SA
7.8-9	6031-000022	WASHER-PLAIN		SNA
7.8-9	6031-000252	WASHER-PLAIN		SNA

SA : SERVICE AVAILABLE SNA : SERVICE not AVAILABLE DNA : DELIVERY not AVAILABLE

Draw# (Section-No)	Parts Code	Description & Specification	Location	SA
7.8-9	6031-001051	WASHER-PLAIN	S2004	SNA
7.8-9	6031-001490	WASHER-PLAIN		SNA
7.8-9	6031-001534	WASHER-PLAIN		SNA
7.8-10	JC66-00750A	GEAR- M_IDLE_Z43;CLP-600,POM,M0.6,Z43,-,	G0012	SA
7.8-11	6107-001214	SPRING-ES;SWP(PW-2),BLACK,PI0.45,D5.35,L	S0041	SA
7.8-11	6107-001269	SPRING-ES		SNA
7.8-12	JC66-00749A	GEAR- M_IDLE_Z41;CLP-600,POM,M0.6,Z41,-,	G0011	SA
7.8-14	6031-000023	WASHER-PLAIN;-ID5.9,OD10.0,T0.5,BLK,POL	W0001	SNA
7.8-15	JC66-00745A	GEAR- M_OPC DRV1_Z117;CLP-600,POM,M0.5,Z	G0016	SA
7.8-16	6043-001115	PIN-PARALLEL(KEY);A,OD2.0,L14.0,ZPC(YEL)	P0014	SNA
7.8-17	JC66-00837A	SHAFT-OPC DRIVE K,Y;CLP-600,SUM24L,L58.7	S0008	SNA
7.8-18	JC66-00747A	GEAR- M_PT B DRIVE1_Z41;CLP-600,POM,M0.6,	G0018	SA
7.8-19	JC66-00752A	GEAR- M_FEED DRV_Z42;CLP-600,POM,M0.6,Z4	G0006	SA
7.8-20	JC66-00832A	SHAFT-OPC DRIVE C,M;CLP-600,SUM24L,L58.7	S0007	SNA
7.8-22	JC66-00753A	GEAR- M_IDLE_Z79;CLP-600,POM,M0.6,Z79,-,	G0013	SA
7.8-23	JC66-00754A	GEAR- M_RDCN FEED1_Z69;CLP-600,POM,M0.6,	G0020	SA
7.8-24	JC66-00833A	SHAFT-FEED DRIVE;CLP-600,SUM24L,L50.5,-,	S0003	SNA
7.8-25	JC61-00426A	BUSH-8/5;ML-9400W,NTN B-F8-12,-,-,NTR,	B0026	SA
7.8-26	JC66-00470A	GEAR-FEED DRIVE_Z37;CLP-500,POM,DE8903,M	G0024	SA
7.8-27	JC66-00751A	GEAR- M_RDCN FU_Z52/Z22;CLP-600,POM,M0.8	G0021	SA
7.8-28	JC66-00468A	GEAR-DEVE RDCN;CLP-500,POM,M90-44,M0.5/M	G0023	SA
7.8-29	JC66-00466A	GEAR-DEVE IDLE_Z41;CLP-500,POM,DE8903,M0	G0022	SA
7.8-30	JC66-00473A	GEAR-IDLE Z51;CLP-500,POM,DE8903,M0.8,Z5	G0027	SA
7.8-31	JC66-00834A	SHAFT-DEVE DRV KMCY;CLP-600,SUM24L,L72.1	S0002	SNA
7.8-32	JC66-00744A	GEAR- M_DEVE CLUTCH_Z33;CLP-600,POM,M0.8	G0002	SA
7.8-33	JC72-01064A	PMO-HUB CLUTCH;CLP-500,POM,BLACK,-,DE890	P0040	SA
7.8-34	JC72-01232A	PMO-DUMMY CLUTCH;CLP-500,POM,WHITE,-,DEL	P0038	SA
7.8-35	JC61-00699A	BUSH-D6/L4;CLP-500,BRONZE+ST,ID6.0,OD9.0	B0027	SA
7.8-36	JB70-00168A	ICT-PIN ADF;SCX-1110F,STS303,D2.0,-,-,-,	I0001	SA
7.8-37	JC66-00746A	GEAR- M_OPC DRV2_Z21;CLP-600,POM,M0.8,Z2	G0017	SA
7.8-38	JC66-00471A	GEAR-FUSER DRIVE_1_Z47;CLP-500,POM,M90-4	G0025	SA
7.8-39	JC66-00831A	SHAFT-FUSER DRIVE;CLP-600,SUM24L,L77.5,-	S0004	SNA
7.8-40	JC39-00510A	CBF HARNESS-BLDC_2;CLP-600,CBF HARNESS,U	C0009	SA
7.9-1	JC61-01041A	FRAME- M_BASE MP;CLP-600,HIPS,HR1360T,HB	F0005	SNA
7.9-2	JC66-00764A	ROLLER-IDLE FEED;CLP-600,POM,OD13.0,ID3.	R0013	SA
7.9-3	JC61-01274A	SPRING ETC-ROLLER;CLP-600,SUS304-WPB,0.7	S0032	SA
7.9-4	JC61-00387A	SPRING ETC-PAD;ML-9400W,SUS304WPB,PI0.5,	S0028	SA
7.9-5	JC61-01044A	HOLDER- M_PAD;CLP-600,PC+ABS,T3.0,W54.0,	H0014	SNA
7.9-6	JC73-00132A	RPR-FRICTION PAD MP;ML-2150,NBB,53*9.8*T	R0019	SA
7.9-7	JC66-00775A	LEVER- M_ACTUATOR EMPTY;CLP-600,ABS,T3.0	L0009	SNA
7.9-8	JC72-00772A	PMO-HOLDER SENSOR,MP;SCX-5100,ABS,BLACK,	P0039	SA
7.9-9	JC92-01662A	PBA SUB-MP_EMP_SENSOR;CLP-600,SEC,KOREA,	P0006	SA
7.9-10	JC39-00431A	CBF HARNESS-MP_EMP2;CLP-600,CBF HARNESS,	C0019	SA
7.9-11	JC61-01060A	PLATE-P-GROUND BRACKET;CLP-600,SUS304,T0	P0021	SNA
7.9-12	JC72-00382B	PMO-BUSHING FEED;ML-1710,POM(DERLIN 8903	P0034	SA
7.9-13	JC66-00836A	ROLLER-FEED MPF;CLP-600,SUM24L+EPDM,Ø6/S	R0010	NA
7.9-14	JC72-41191B	PMO-BEARING SHAFT;ML-2150,POM,BLK,-,DE89	P0032	SA
7.9-15	JC61-01145A	BUSH- M_ROLLER FEED;CLP-600,AT-15CF,ID6.	B0022	SA
7.9-16	6107-001249	SPRING-CS;SUS304-WPB,-,PI0.5,D8.8,L6,-,-	S0038	SNA
7.9-17	JC61-01047A	BRACKET-P-GEAR TRAY;CLP-600,SECC,T1.2,W5	B0009	SNA
7.9-18	JC66-00771A	GEAR- M_IDLE PICKUP;CLP-600,POM,M0.8,SPU	G0010	SA
7.9-20	JC66-00769A	GEAR- M_MP FEED;CLP-600,POM,M0.8,SPUR,Z1	G0014	SA
7.9-21	JC61-01127A	HOLDER- M_CLUTCH GEAR;CLP-600,POM,ID6.0,	H0005	SA
7.9-22	JC66-00770A	GEAR- M_IDLE FEED;CLP-600,POM,M0.8,SPUR,	G0009	SA
7.9-23	JC66-00767A	GEAR- M_DRIVE IDLE;CLP-600,POM,M0.8,SPUR	G0003	SA
7.9-24	JC33-00017A	SOLENOID-MP;DLH-34L080-08,CLP-600,24V,80	S0016	SA
7.9-25	JC66-00772A	CAM- M_PICK UP MP;CLP-600,PC,-,ID6.1,BLK	C0003	SNA
7.9-26	JC61-00671A	HOLDER-M-BUSHING TX;ML-2150,POM,-,-,-,BL	H0020	SA
7.9-28	JC72-01003A	PMO-IDLE PICK UP MP;ML-2150,POM,WHITE,-,	P0042	SA
7.9-29	JC66-00453A	SHAFT-M-PICK UP MP;ML-2150,PC NH-1023,-,	S0006	SA
7.9-30	JC66-00768A	GEAR- M_MP PICK UP;CLP-600,POM,M0.8,SPUR	G0015	SA
7.9-31	JC61-00003A	SPRING ETC-CAM MP;ML-6100,SUS304-WPB,0.	S0020	SA
7.9-32	JC66-00766A	GEAR- M HOLDER CAM;CLP-600,POM,M0.8,SPUR	G0008	SA
7.9-33	JC66-10202A	BEARING-PICK UP;ML-80,POM,-,-,-	B0003	SA
7.9-34	JC61-01045A	BRACKET-P-HODLER PICKUP;CLP-600,SECC,T1.	B0011	SNA
7.9-35	JC61-01048A	PLATE- M_KNOCK UP;CLP-600,ABS+GF 20%,T2.	P0016	SNA
7.9-36	JC73-00141A	RPR-PAD CASSETTE;ML-1510,URETHANE SPONGE	R0020	SA
7.9-37	JC61-70913A	SPRING ETC-KNOCK UP MP;ML-2150,SUS304 WP	S0024	SA
7.9-38	JC72-01004A	PMO-IDLE KNOCK UP MP;ML-2150,POM,BLK,-,M	P0041	SA
7.10-1	JC63-00573A	COVER-M-REGI FRAME;CLP-600,HIPS,1.5,253.	C0049	SNA
7.10-2	JC61-01023A	FRAME-P-REGI;CLP-600,SECC,-,-,-,T1.2,250	F0014	SNA
7.10-3	JC61-01272A	SPRING ETC-BUSH REGI;CLP-600,SWP-B,0.4,-	S0019	SA
7.10-4	JC61-00669A	BUSH-M-ROLLER REGI U;ML-2150,POM(CE20),6	B0029	SA
7.10-6	JC72-00998A	PMO-ACTUATOR REGISHUTTER;ML-2150,ABS G/F	P0030	SA
7.10-7	JC66-00446A	SHAFT-REGI UPPER;ML-2150,SUM22,-,6,-,-,-	S0010	SA

SA : SERVICE AVAILABLE SNA : SERVICE not AVAILABLE DNA : DELIVERY not AVAILABLE

Draw# (Section-No)	Parts Code	Description & Specification	Location	SA
7.10-8	JC67-00047A	CAP-M_BUSHING ACTUATOR;ML-2150,POM,-,-,-	C0006	SA
7.10-10	JC66-00648A	ROLLER-M_REGI IDLE S25;ML-2150,POM,11.9,	R0015	SA
7.10-11	JC66-00647A	ROLLER-M_REGI IDLE L25;ML-2150,POM,12.4,	R0014	SA
7.10-12	6107-001158	SPRING-TS;SUS304-WPB,-,PI0.4,D6.7,-,-,-,	S0042	SA
7.10-13	JC61-01040A	HOLDER-M-SENSOR;CLP-600,HIPS,2.0,23.0,32	H0021	SA
7.10-13	JC61-01094A	HOLDER-M-SENSOR		SNA
7.10-14	0604-001095	PHOTO-INTERRUPTER;TR,90%,150mW,DIP-4,BK	P0013	SA
7.10-15	JC66-00765A	ROLLER-REGI LOWER;CLP-600,SUM24L,OD13.75	R0017	SA
7.10-16	JC61-01146A	BUSH- M_ROLLER REGI L;CLP-600,POM,ID6.0,	B0023	SA
7.10-17	JC61-01128A	HOLDER- M_GEAR REGI;CLP-600,POM,T1.3,ID6	H0010	SA
7.10-19	JC66-00774A	GEAR-M-REGI;CLP-600,POM,M0.8,Z19,-,NTR,	G0033	SA
7.10-21	JC61-01039A	FRAME-M-PICK UP;CLP-600,PC+ABS,YGP 5001A	F0010	SNA
7.10-22	JC92-01661A	PBA SUB-FCF_EMP_SENSOR;CLP-600,SEC,KOREA	P0004	SA
7.10-23	JC61-01049A	PLATE-P-GROUND REGI;CLP-600,C5210P,T0.2,	P0025	SNA
7.10-26	JC72-00719A	PMO-ACTUATOR EMPTY;SCX-5100,-,ABS,BLK,HB	P0029	SA
7.10-28	JC61-70950A	SPRING ETC-EXTENSION;ML-5000A,-,-,-,-,-,	S0022	SA
7.10-29	JC61-01038A	HOUSING-M-PICK UP;CLP-600,PC+GF20%,OD5,-	H0026	SNA
7.10-30	JC73-00224A	RUBBER-PICK UP MP;ML-3560,IR,D29.8,35,27	C4024	SA
7.10-32	JC66-00758A	SHAFT-PICK UP;CLP-600,PC+GF20%,72.5,4.0,	S0009	SA
7.10-33	JC66-00761A	GEAR-M-PICK UP;CLP-600,POM,M0.8,SPUR,Z50	G0032	SA
7.10-34	JC61-01029A	GUIDE-P-GEAR BRACKET;CLP-600,SECC,T1.2,1	G0059	SA
7.10-35	JC66-00759A	GEAR-M-MAIN;CLP-600,POM,M0.8,SPUR,Z31,-,	G0028	SA
7.10-36	JC66-00763A	GEAR-M-PICK UP IDLE;CLP-600,POM,M0.8,SPU	G0031	SA
7.10-37	JC66-00762A	GEAR-M-PICK UP IDLE 2;CLP-600,POM,M0.8,S	G0030	SA
7.10-38	JC66-00760A	GEAR-M-MP IDLE;CLP-600,POM,M0.8,SPUR,Z20	G0029	SA
7.10-39	JC33-00012B	SOLENOID-MAIN;DLH-34L080-10,CLP-600,24V,	S0015	SNA
7.11-0	JC97-02404A	MEA UNIT-GUIDE PAPER;CLP-600,SEC,EXPORT,	M0016	SA
7.11-1	JC61-01013A	GUIDE- M_SCT PAPER UPPER;CLP-600,HIPS,2,	G0048	SNA
7.11-2	JC66-00903A	ROLLER-SHAFT FEED;CLP-600,SUM24L+EPDM,ØS	R0018	NA
7.11-3	JC72-41364A	PMO-BUSHING P/U,MP;ML-6100,POM,BLACK,-,C	P0035	SA
7.11-5	JC61-01021A	PLATE-P-GND FEED ROLLER;CLP-600,SUS304,T	P0020	SNA
7.11-9	JC66-00773A	GEAR- M_FEED;CLP-600,POM,M0.8,Z27,-,NTL,	G0007	SA
7.11-11	JC61-01149A	GUIDE- M_SCT PAPER LOWER;CLP-600,HIPS,HB	G0047	SNA
7.12-1	JC61-01022A	FRAME-M-CASSETTE;CLP-600,HIPS,HR-1360T,H	F0009	SNA
7.12-2	JC63-00572A	COVER-M-CASSETTE;CLP-600,ABS,3.0,429.6,1	C0046	SNA
7.12-3	JG61-70531A	SPRING ETC-LOCKER,PLATE;SF6000,STS304WPB	S0025	SA
7.12-4	JC72-01073A	PMO-LOCKER PLATE;CLP-500,POM,WHITE,-,M90	P0043	SA
7.12-5	JC61-01024A	GUIDE-M-FRONT CASSETTE;CLP-600,HIPS,HB,-	G0056	SNA
7.12-6	JC61-01037A	STOPPER-M-GUIDE SIDE;CLP-600,POM,OD12.0,	S0044	SA
7.12-7	JC61-01026A	GUIDE-M-REAR;CLP-600,HIPS,HB,3.0,128.0,4	G0057	SA
7.12-8	JC68-01527A	LABEL(R)-CASSETTE;COMMON,KOREA,YUPO,T0.2	L0004	SNA
7.12-9	6107-001200	SPRING-CS;SUS304-WPB,-,PI0.85,D21.85,L55	S0039	SNA
7.12-10	JC61-01030A	PLATE-P-KNOCK UP;CLP-600,SECC,T1.0,206.2	P0027	SNA
7.12-11	JC61-01129A	PLATE-KNOCK UP PAD;CLP-600,URETHANE SPON	P0017	SNA
7.12-13	JC61-01027A	GUIDE-P-SIDE LEFT;CLP-600,SECC,T1.2,52.5	G0060	SNA
7.12-15	JC61-00653A	BUSH-M-FINGER,F;ML-2150,POM,-,-,-,BLK,-	B0028	SA
7.12-16	JC63-00609A	COVER- M_GUIDE SIDE L;CLP-600,POM,T1.2,W	C0032	SNA
7.12-17	JC61-01025A	GUIDE-M-SIDE LOCK;CLP-600,ABS,HB,2.0,52.	G0058	SNA
7.12-18	JC61-01031A	PLATE-P-FINGER LEFT;CLP-600,SUS,T1.2,71.	P0018	SNA
7.12-19	JC61-01028A	GUIDE-P-SIDE RIGHT;CLP-600,SECC,T1.2,91.	G0061	SNA
7.12-20	JC61-01032A	PLATE-P-FINGER RIGHT;CLP-600,SUS,T1.2,71	P0019	SNA
#N/A	JC68-01518A	MANUAL-QIG		SNA
#N/A	JC68-01518B	MANUAL-QRG		SNA
#N/A	JC69-00737F	BOX(P)-MAIN (UK)	B0004	SA
#N/A	JC92-01655A	PBA MAIN-DAVINCI	P0001	SA
#N/A	JC96-03334A	ELA UNIT-MAIN LINE		SNA
#N/A	JC97-02211A	MEA UNIT-MAIN FRAME		SA
#N/A	JC99-01855A	PAA WOOD-PACKING		SNA
#N/A	JC99-01856B	PAA-LABEL_SEE		SNA
#N/A	JC99-01867L	INA-ACCESSORY_NETWORK		SNA
#N/A	0201-001162	ADHESIVE-CYA		SNA
#N/A	0201-001183	ADHESIVE-AA		SNA
#N/A	0201-001833	ADHESIVE-HM		SNA
#N/A	0202-001240	SOLDER-WIRE		SNA
#N/A	0202-001492	SOLDER-WIRE FLUX		SNA
#N/A	0203-000007	TAPE-FILAMENT		SNA
#N/A	0203-001102	TAPE-OPP MASKING		SNA
#N/A	0203-001189	TAPE-ACETATE		SNA
#N/A	0204-000469	THINNER		SNA
#N/A	0204-002978	FLUX		SNA
#N/A	0205-001003	GREASE-BEARING		SNA
#N/A	0205-001059	GREASE-BEARING		SNA
#N/A	0205-001080	GREASE-BEARING		SNA
#N/A	0205-001144	GREASE-BEARING		SNA
#N/A	1103-001211	IC-EEPROM		SA

SA : SERVICE AVAILABLE SNA : SERVICE not AVAILABLE DNA : DELIVERY not AVAILABLE

Draw# (Section-No)	Parts Code	Description & Specification	Location	SA
#N/A	2401-001946	C-AL		SA
#N/A	2801-003321	CRYSTAL-UNIT		SNA
#N/A	2801-003886	CRYSTAL-UNIT		SNA
#N/A	2801-004451	CRYSTAL-UNIT		SA
#N/A	3501-001263	RELAY-POWER		SA
#N/A	3704-000349	SOCKET-IC		SNA
#N/A	3711-000198	HEADER-BOARD TO CABLE		SA
#N/A	3711-000203	HEADER-BOARD TO CABLE		SA
#N/A	3711-002000	HEADER-BOARD TO CABLE		SNA
#N/A	3711-002808	HEADER-BOARD TO CABLE		SNA
#N/A	3711-002811	HEADER-BOARD TO CABLE		SNA
#N/A	3711-002813	HEADER-BOARD TO CABLE		SA
#N/A	3711-003035	HEADER-BOARD TO CABLE		SA
#N/A	3711-003411	HEADER-BOARD TO CABLE		SNA
#N/A	3711-003981	HEADER-BOARD TO CABLE		SA
#N/A	3711-004379	HEADER-BOARD TO CABLE		SA
#N/A	3722-000124	JACK-DIN		SNA
#N/A	3722-002303	JACK-USB		SA
#N/A	3903-000042	CBF-POWER CORD	C0022	SA
#N/A	6002-000308	SCREW-TAPTITE	-	SA
#N/A	6003-000261	SCREW-TAPTITE		SNA
#N/A	6044-000001	RING-CS	D4088	SNA
#N/A	6103-000101	SUPPORTER		SNA
#N/A	6902-000288	BAG PE		SNA
#N/A	6902-000332	BAG CONDUCTIVE		SNA
#N/A	6902-000390	BAG PE		SA
#N/A	6902-000655	BAG PE		SNA
#N/A	JB68-00073A	LABEL(R)-BAR CODE		SNA
#N/A	JB68-00916A	LABEL RATING-BLANK		SNA
#N/A	JC02-00048A	TONER-GRINDED BLACK		SNA
#N/A	JC02-00049A	TONER-GRINDED CYAN		SNA
#N/A	JC02-00050A	TONER-GRINDED MAGENTA		SNA
#N/A	JC02-00051A	TONER-GRINDED YELLOW		SNA
#N/A	JC39-00366A	CBF HARNESS-SCF GND	H1231	SA
#N/A	JC39-00398A	CBF HARNESS-PANEL	H2133	SA
#N/A	JC39-00423A	CBF HARNESS-STEPMOTOR		SA
#N/A	JC39-00432A	CBF HARNESS-BLDC		SA
#N/A	JC39-00503A	CBF HARNESS-M FUSER		SA
#N/A	JC39-00561A	CBF HARNESS-FUSER3		SA
#N/A	JC46-00248A	S/W APPLICATION-DRV		SNA
#N/A	JC46-00255A	S/W APPLICATION-CD		SNA
#N/A	JC47-00006C	MEP-CLUTCH SPRING		SNA
#N/A	JC60-00008A	FLANGE-M-OPC		SNA
#N/A	JC60-00009A	SPACER-M-DR		SNA
#N/A	JC61-00025A	SPRING ETC-CS-CHARGE APOLLO	B2030	SNA
#N/A	JC61-00772A	BUSH-DEV DR		SNA
#N/A	JC61-01090A	HOLDER-M-PAPER C,F		SNA
#N/A	JC61-01091A	HOLDER-M-PAPER C,R		SNA
#N/A	JC61-01092A	HOLDER-M-TENSION		SNA
#N/A	JC61-01093A	HOLDER-M-TRANSFER		SNA
#N/A	JC61-01095A	HOLDER-M-DRAW		SNA
#N/A	JC61-01096A	GUIDE-M-BELT		SNA
#N/A	JC61-01097A	GUIDE-M-DRIVE		SNA
#N/A	JC61-01098A	GUIDE-M-SAW, FIX		SNA
#N/A	JC61-01099A	FRAME-M-PTB		SNA
#N/A	JC61-01100A	FRAME-M-DUMMY,F		SNA
#N/A	JC61-01101A	FRAME-M-DUMMY,R		SNA
#N/A	JC61-01102A	PLATE-P-SAW		SNA
#N/A	JC61-01103A	PLATE-P-DUMMY,SAW		SNA
#N/A	JC61-01104A	PLATE-P-TENSION		SNA
#N/A	JC61-01105A	PLATE-P-GROUND,PTB		SNA
#N/A	JC61-01106A	PLATE-P-PAPER,C		SNA
#N/A	JC61-01107A	PLATE-P-DUMMY,BK		SNA
#N/A	JC61-01108A	PLATE-P-HV,BK		SNA
#N/A	JC61-01110A	HOLDER-M-CR,F		SNA
#N/A	JC61-01113A	FRAME-M-DEV		SNA
#N/A	JC61-01114A	HOUSING-M-OPC		SNA
#N/A	JC61-01115A	PLATE-M-SIDE,F		SNA
#N/A	JC61-01116A	PLATE-M-SIDE,R		SNA
#N/A	JC61-01117A	PLATE-P-BIAS,DR		SNA
#N/A	JC61-01118A	PLATE-P-BIAS,SR		SNA
#N/A	JC61-01119A	PLATE-P-BIAS,CR		SNA
#N/A	JC61-01124A	HOLDER-M-PADDLE		SNA
#N/A	JC61-01636A	BRACKET-P-GUIDE LEVER L		SNA
#N/A	JC61-01637A	BRACKET-P-GUIDE LEVER R		SNA

SA : SERVICE AVAILABLE SNA : SERVICE not AVAILABLE DNA : DELIVERY not AVAILABLE

Draw# (Section-No)	Parts Code	Description & Specification	Location	SA
#N/A	JC61-01638A	BRACKET-P-RELEASE LEVER		SNA
#N/A	JC61-01639A	BUSH-M-RELEASE LEVER		SA
#N/A	JC61-01678A	SPRING ETC-DEV_FRONT		SA
#N/A	JC61-01685A	SPRING ETC-DUMMY		SA
#N/A	JC61-70932A	SPRING ETC-GUIDE DEVE		SA
#N/A	JC61-70935A	SPRING ETC-SEPERATE P/UP		SA
#N/A	JC61-70967A	SPRING ETC-TR R		SA
#N/A	JC62-00140A	SEAL-BLADE SIDE_BK		SNA
#N/A	JC62-00161A	SEAL-BRKT PTB,F		SNA
#N/A	JC62-00162A	SEAL-BRKT PTB,R		SNA
#N/A	JC62-00163A	SEAL-WASTE BOTTOM		SNA
#N/A	JC62-00164A	SEAL-BLADE,PTB		SNA
#N/A	JC62-00166A	SEAL-WASTE FILM		SNA
#N/A	JC62-00167A	SEAL-COVER,WASTE		SNA
#N/A	JC62-00168A	SEAL-BRACKET_BLADE		SNA
#N/A	JC62-00169A	SEAL-SUPPLY		SNA
#N/A	JC62-00170A	SEAL-PADDLE		SNA
#N/A	JC62-00171A	SEAL-BRACKET,CLN		SNA
#N/A	JC62-00172A	SEAL-BRKT CLN_LOWER_F		SNA
#N/A	JC62-00173A	SEAL-BLADE INNER,R		SNA
#N/A	JC62-00174A	SEAL-BLADE INNER,F		SNA
#N/A	JC62-00175A	SEAL-PADDLE,INNER		SNA
#N/A	JC62-00176A	SEAL-OPC,F		SNA
#N/A	JC62-00177A	SEAL-OPC,R		SNA
#N/A	JC62-00178A	SEAL-CLEANING_C/R		SNA
#N/A	JC62-00179A	SEAL-BLADE SIDE		SNA
#N/A	JC62-00180A	SEAL-DEV FELT_F		SNA
#N/A	JC62-00238A	SEAL-MANUAL SHEET		SNA
#N/A	JC62-00239A	SEAL-FILM COVER DEVE		SNA
#N/A	JC62-00244A	SEAL-FILM,OPC		SNA
#N/A	JC62-00245A	SEAL-FILM,AGI_BELT		SNA
#N/A	JC62-00246A	SEAL-FILM,REAR		SNA
#N/A	JC62-00247A	SEAL-AGITATOR		SNA
#N/A	JC62-00248A	SEAL-FILM COVER_TONER		SNA
#N/A	JC62-00264A	SEAL-BRKT_CLN_LOWER_R		SNA
#N/A	JC62-00265A	SEAL-DEV FELT_R		SNA
#N/A	JC62-00277A	INSULATION-SMPS		SNA
#N/A	JC63-00570A	SHEET-AGITATOR_D		SNA
#N/A	JC63-00600A	COVER-M-PAPER,C		SNA
#N/A	JC63-00601A	COVER-M-DRAW		SNA
#N/A	JC63-00602A	COVER-M-WASTE		SNA
#N/A	JC63-00604A	COVER-M-DEV		SNA
#N/A	JC63-00605A	COVER-M-SIDE,F		SNA
#N/A	JC63-00606A	COVER-M-SIDE, R		SNA
#N/A	JC63-00607A	COVER-M-WASTE TONER,L		SNA
#N/A	JC63-00608A	COVER-M-WASTE TONER,U		SNA
#N/A	JC63-00645A	GROUND-WIRE		SNA
#N/A	JC63-00714A	SHEET-SENSOR,PTB		SNA
#N/A	JC63-00721A	SHEET-WASTE,TONER		SNA
#N/A	JC63-01016A	SHIELD-P-BRACKET INLET		SNA
#N/A	JC64-00182A	HANDLE-M-PTB UNIT		SNA
#N/A	JC66-00746B	GEAR-M_DEVE DRV2_Z21		SA
#N/A	JC66-00788A	GEAR- M_DRIVE,PTB		SNA
#N/A	JC66-00789A	GEAR-M-OPC		SNA
#N/A	JC66-00790A	GEAR-M-AGITATOR		SNA
#N/A	JC66-00791A	GEAR-M-DEV		SNA
#N/A	JC66-00792A	GEAR-M-DEVE DRIVE		SNA
#N/A	JC66-00793A	GEAR-M-DRSR		SNA
#N/A	JC66-00794A	GEAR-M-RDCN		SNA
#N/A	JC66-00795A	GEAR-M-SUPPLY		SNA
#N/A	JC66-00796A	SHAFT-M-AGI,B		SNA
#N/A	JC66-00797A	SHAFT-M-AGI,A		SNA
#N/A	JC66-00917A	DRUM-PTB BELT		SNA
#N/A	JC66-00918A	ROLLER-PAPER CHARGE		SNA
#N/A	JC66-00919A	ROLLER-BACKUP,CLN		SNA
#N/A	JC66-00920A	ROLLER-TENSION,PTB		SNA
#N/A	JC66-00921A	ROLLER-DRIVE,PTB		SNA
#N/A	JC66-00922A	ROLLER-TRANSFER		SNA
#N/A	JC66-00923A	SHAFT-OPC HINGE,F		SNA
#N/A	JC66-00924A	SHAFT-OPC HINGE,R		SNA
#N/A	JC66-00925A	SHAFT-OPC		SNA
#N/A	JC66-00926A	ROLLER-OPC CHARGER		SNA
#N/A	JC66-00927A	ROLLER-DEVE		SNA
#N/A	JC66-00928A	DRUM-OPC		SNA
#N/A	JC66-00929A	ROLLER-SUPPLY		SNA

SA : SERVICE AVAILABLE SNA : SERVICE not AVAILABLE DNA : DELIVERY not AVAILABLE

Draw# (Section-No)	Parts Code	Description & Specification	Location	SA
#N/A	JC66-01150A	GEAR-IDLE OPC_Z51		SNA
#N/A	JC66-01197A	SHAFT-DEVE K CLUTCH		SNA
#N/A	JC66-01198A	SHAFT-OPC DRIVE C		SNA
#N/A	JC66-01199A	SHAFT-OPC DRIVE K		SNA
#N/A	JC66-01200A	LEVER-M-RELEASE		SA
#N/A	JC66-01231A	ROLLER-DUMMY		SNA
#N/A	JC66-01233A	ROLLER-FD R		SNA
#N/A	JC67-00163A	CAP-THERMISTOR		SNA
#N/A	JC68-00573A	LABEL(R)-BARCODE		SNA
#N/A	JC68-00690A	MANUAL-(CARD)WARRANTY CARD		SNA
#N/A	JC68-00966A	MANUAL-WARRANTY_CARD		SNA
#N/A	JC68-00967A	MANUAL-WARRANTY_CARD		SNA
#N/A	JC68-01134A	LABEL(P)-BLANK(FUSER)		SNA
#N/A	JC68-01154A	LABEL(R)-POP(A)		SNA
#N/A	JC68-01245A	MANUAL-WARRANTY CARD		SNA
#N/A	JC68-01451A	LABEL-MAC ADDRESS		SNA
#N/A	JC68-01540A	MANUAL-SHEET DEVE		SNA
#N/A	JC68-01554A	LABEL(R)-OPEN CLOSE		SNA
#N/A	JC68-01579A	MANUAL-NETWORK GUIDE		SNA
#N/A	JC68-01584A	LABEL(P)-BLANK 90*25		SA
#N/A	JC68-10914D	LABEL(P)-SERIAL NO		SNA
#N/A	JC68-10914E	LABEL SERIAL-YELLOW		SNA
#N/A	JC68-10914F	LABEL SERIAL-CYAN		SNA
#N/A	JC68-10914G	LABEL SERIAL-MAGENTA		SNA
#N/A	JC68-10932A	LABEL(P)-BLANK(ML)		SNA
#N/A	JC69-00736A	CUSHION-SET MAIN		SNA
#N/A	JC69-00857A	CUSHION-SET CAP		SNA
#N/A	JC69-00859A	PAD-DEVE CAP		SNA
#N/A	JC71-00002A	NPR-EARTH OPC APOLLO		SNA
#N/A	JC72-01234A	PMO-DEVE CAP TONER		SNA
#N/A	JC73-10017A	RPR-SEAL_BLOCK		SNA
#N/A	JC74-10901A	MPR-WASHER SUPPLY		SNA
#N/A	JC92-01663A	PBA SUB-K_CRUM		SNA
#N/A	JC92-01664A	PBA SUB-C_CRUM		SNA
#N/A	JC92-01665A	PBA SUB		SNA
#N/A	JC92-01666A	PBA SUB-Y_CRUM		SNA
#N/A	JC94-00879A	PHANTOM AU JC92-01655A		SNA
#N/A	JC96-03655A	ELA UNIT-CARBON&SP	K3054	SA
#N/A	JC96-03798A	ELA UNIT-CR_CRUM		SNA
#N/A	JC96-03839A	ELA UNIT-HR 220V		SA
#N/A	JC96-03933A	ELA UNIT-DUCT SMPS		SA
#N/A	JC97-02245A	MEA UNIT-CLN BLADE		SNA
#N/A	JC97-02246A	MEA UNIT-SUS BLADE		SNA
#N/A	JC97-02247A	MEA UNIT-CLEANING.PTB		SNA
#N/A	JC97-02617A	MEA UNIT-PR		SA
#N/A	JF68-10532B	LABEL(P)-BAR CODE		SNA
#N/A	0201-001235	ADHESIVE-TS		SNA
#N/A	0202-001459	SOLDER-CREAM		SNA
#N/A	0402-001189	DIODE-RECTIFIER		SA
#N/A	0501-000294	TR-SMALL SIGNAL		SA
#N/A	0505-001592	FET-SILICON		SNA
#N/A	0601-000003	LED		SA
#N/A	0601-001332	LED		SNA
#N/A	0601-001383	LED		SNA
#N/A	0601-001619	LED		SA
#N/A	0601-001830	LED		SA
#N/A	0801-002095	IC-CMOS LOGIC		SA
#N/A	0801-002395	IC-CMOS LOGIC		SNA
#N/A	0803-003263	IC-CMOS LOGIC		SA
#N/A	0902-001533	IC-MICROPROCESSOR		SNA
#N/A	0904-001989	IC-USC		SA
#N/A	0904-002005	IC-BUS CONTROLLER		SNA
#N/A	1001-000170	IC-ANALOG SWITCH		SA
#N/A	1003-001447	IC-CLOCK DRIVER		SNA
#N/A	1006-001316	IC-LINE DRIVER		SNA
#N/A	1105-001405	IC-DRAM		SA
#N/A	1201-000167	IC-OP AMP		SNA
#N/A	1202-000164	IC-VOLTAGE COMP.		SA
#N/A	1203-002166	IC-POSI.FIXED REG.		SNA
#N/A	1203-002233	IC-RESET		SNA
#N/A	1203-002454	IC-POSI.FIXED REG.		SA
#N/A	1203-003774	IC-DC/DC CONVERTER		SNA
#N/A	1205-002660	IC-CLOCK GENERATOR		SNA
#N/A	1301-001712	IC-CPLD		SNA
#N/A	2007-000067	R-CHIP		SA

SA : SERVICE AVAILABLE SNA : SERVICE not AVAILABLE DNA : DELIVERY not AVAILABLE

Draw# (Section-No)	Parts Code	Description & Specification	Location	SA
#N/A	2007-000069	R-CHIP		SNA
#N/A	2007-000071	R-CHIP		SA
#N/A	2007-000079	R-CHIP		SA
#N/A	2007-000080	R-CHIP		SA
#N/A	2007-000083	R-CHIP		SA
#N/A	2007-000084	R-CHIP		SA
#N/A	2007-000093	R-CHIP		SA
#N/A	2007-000102	R-CHIP		SA
#N/A	2007-000105	R-CHIP		SA
#N/A	2007-000109	R-CHIP		SA
#N/A	2007-000122	R-CHIP		SA
#N/A	2007-000123	R-CHIP		SA
#N/A	2007-000309	R-CHIP		SA
#N/A	2007-000669	R-CHIP		SA
#N/A	2007-001014	R-CHIP		SA
#N/A	2007-001134	R-CHIP		SA
#N/A	2007-001179	R-CHIP		SA
#N/A	2007-002425	R-CHIP		SA
#N/A	2007-002901	R-CHIP		SA
#N/A	2007-002910	R-CHIP		SA
#N/A	2007-007507	R-CHIP		SNA
#N/A	2007-007937	R-CHIP		SNA
#N/A	2007-007967	R-CHIP		SNA
#N/A	2007-008553	R-CHIP		SNA
#N/A	2011-001011	R-NET		SNA
#N/A	2011-001193	R-NET		SA
#N/A	2011-001261	R-NET		SA
#N/A	2203-000257	C-CER,CHIP		SA
#N/A	2203-000332	C-CER,CHIP		SNA
#N/A	2203-000815	C-CER,CHIP		SA
#N/A	2203-001071	C-CER,CHIP		SA
#N/A	2203-001086	C-CER,CHIP		SA
#N/A	2203-001598	C-CER,CHIP		SA
#N/A	2203-001607	C-CER,CHIP		SA
#N/A	2203-005105	C-CER,CHIP		SA
#N/A	2203-005249	C-CER,CHIP		SNA
#N/A	2203-005819	C-CER,CHIP		SNA
#N/A	2203-006818	C-CER,CHIP		SA
#N/A	2401-000042	C-AL		SA
#N/A	2401-004099	C-AL		SA
#N/A	2402-000008	C-AL,SMD		SA
#N/A	2402-001042	C-AL,SMD		SA
#N/A	2402-001049	C-AL,SMD		SA
#N/A	2402-001106	C-AL,SMD		SA
#N/A	2402-001178	C-AL,SMD		SA
#N/A	2703-002539	INDUCTOR-SMD		SNA
#N/A	2801-001375	CRYSTAL-UNIT		SNA
#N/A	2801-004414	CRYSTAL-UNIT		SNA
#N/A	2901-001178	FILTER-EMI SMD		SA
#N/A	3301-000317	BEAD-SMD		SNA
#N/A	3301-000344	BEAD-RADIAL		SNA
#N/A	3301-001067	BEAD-SMD		SNA
#N/A	3301-001240	BEAD-SMD		SNA
#N/A	3301-001270	BEAD-SMD		SNA
#N/A	3301-001655	BEAD-SMD		SA
#N/A	3404-000165	SWITCH-TACT		SA
#N/A	3711-000840	HEADER-BOARD TO CABLE		SA
#N/A	3711-002807	HEADER-BOARD TO CABLE		SNA
#N/A	3711-003408	HEADER-BOARD TO CABLE		SNA
#N/A	3711-003409	HEADER-BOARD TO CABLE		SNA
#N/A	3711-003410	HEADER-BOARD TO CABLE		SNA
#N/A	3711-003942	HEADER-BOARD TO CABLE		SA
#N/A	3711-004349	HEADER-BOARD TO CABLE		SA
#N/A	3711-004487	HEADER-BOARD TO BOARD		SA
#N/A	3722-001319	JACK-MODULAR		SA
#N/A	6003-000196	SCREW-TAPTITE		SA
#N/A	6003-000264	SCREW-TAPTITE		SNA
#N/A	6003-000269	SCREW-TAPTITE		SA
#N/A	6003-000301	SCREW-TAPTITE		SNA
#N/A	6003-001086	SCREW-TAPTITE		SA
#N/A	6003-001256	SCREW-TAPTITE		SNA
#N/A	JC07-00003A	LCD-DISPLAY(XEV)		SA
#N/A	JC13-00029A	IC ASIC-DAVINCI		SA
#N/A	JC13-00030A	IC ASIC-HYPER_C		SA
#N/A	JC39-00306A	CBF HARNESS-LCD		SA

SA : SERVICE AVAILABLE SNA : SERVICE not AVAILABLE DNA : DELIVERY not AVAILABLE

Draw# (Section-No)	Parts Code	Description & Specification	Location	SA
#N/A	JC39-00399A	CBF HARNESS-PANEL		SNA
#N/A	JC39-00425A	CBF HARNESS-SET_CR2		SA
#N/A	JC39-00429A	CBF HARNESS-TH_NEW		SA
#N/A	JC39-00442A	CBF HARNESS-NEW_FUSER		SA
#N/A	JC39-00508A	CBF HARNESS-GND2		SA
#N/A	JC41-00261A	PCB MAIN-DAVINCI		SNA
#N/A	JC61-01109A	BRACKET-P-CLN,PTB		SNA
#N/A	JC61-01111A	HOLDER-M-CRUM		SNA
#N/A	JC61-01120A	PLATE-P-CRUM		SNA
#N/A	JC61-01121A	BRACKET-P-SUS BLADE		SNA
#N/A	JC61-01122A	BRACKET-P-CLEANING		SNA
#N/A	JC61-01123A	BLADE-DOCTOR		SNA
#N/A	JC61-01280A	BLADE-CLEANING,PTB		SNA
#N/A	JC61-01282A	BLADE-CLEANING		SNA
#N/A	JC62-00142A	HEAT SINK-P-MC2		SNA
#N/A	JC63-00186A	SHEET-GUIDE ADF		SNA
#N/A	JC63-00896A	FILTER-TONER		SA
#N/A	JC63-00904A	SHEET-FILTER TONER		SA
#N/A	JC63-01029A	SHEET-PTB CLEANING		SA
#N/A	JC67-00161A	DUCT-FAN SMPS		SNA
#N/A	JC71-00051A	ELECTRODE-FU		SNA
#N/A	JC71-00052A	ELECTRODE-P-SUPPORT		SNA
#N/A	JC72-01376A	SPONGE-COVER LSU		SNA
#N/A	JC72-01377A	SPONGE-FAN		SNA
#N/A	JC72-01378A	SPONGE-FRAME LOWER		SNA
#N/A	JC72-01379A	SPONGE-SEALING LSU		SNA
#N/A	JC92-01667A	PBA SUB-PTB_CRUM		SNA
#N/A	JC92-01668A	PBA SUB-COLOR REGI		SNA
#N/A	JC94-00867A	PHANTOM AU JC92-01672A		SNA
#N/A	JC94-01058A	PHANTOM AU JC92-01659A		SNA
#N/A	JC94-01064A	PHANTOM AU JC92-01663A		SNA
#N/A	JC94-01065A	PHANTOM AU JC92-01664A		SNA
#N/A	JC94-01066A	PHANTOM AU JC92-01665A		SNA
#N/A	JC94-01067A	PHANTOM AU JC92-01666A		SNA
#N/A	JC94-01071A	PHANTOM AU JC92-01752A		SNA
#N/A	JC94-01072A	PHANTOM AU JC92-01675A		SNA
#N/A	0401-000116	DIODE-SWITCHING		SNA
#N/A	0402-000129	DIODE-RECTIFIER		SA
#N/A	0407-000101	DIODE-ARRAY		SA
#N/A	0501-000010	TR-SMALL SIGNAL		SA
#N/A	0501-000279	TR-SMALL SIGNAL		SA
#N/A	0501-000457	TR-SMALL SIGNAL		SA
#N/A	0505-001350	FET-SILICON		SA
#N/A	0801-002567	IC-CMOS LOGIC		SNA
#N/A	0803-003264	IC-CMOS LOGIC		SNA
#N/A	0903-001355	IC-MICROCONTROLLER		SA
#N/A	1003-001535	IC-MOTOR DRIVER		SA
#N/A	1103-001321	IC-EEPROM		SNA
#N/A	1105-001357	IC-DRAM		SA
#N/A	1107-001286	IC-FLASH MEMORY		SNA
#N/A	1203-002220	IC-POS1.ADJUST REG.		SA
#N/A	1205-002339	IC-CLOCK GENERATOR		SA
#N/A	1205-002593	IC-TRANSCEIVER		SNA
#N/A	2005-000168	R-WIRE WOUND,NON		SA
#N/A	2007-000033	R-CHIP		SA
#N/A	2007-000043	R-CHIP		SA
#N/A	2007-000052	R-CHIP		SA
#N/A	2007-000070	R-CHIP		SA
#N/A	2007-000074	R-CHIP		SA
#N/A	2007-000076	R-CHIP		SA
#N/A	2007-000077	R-CHIP		SA
#N/A	2007-000078	R-CHIP		SA
#N/A	2007-000086	R-CHIP		SA
#N/A	2007-000090	R-CHIP		SA
#N/A	2007-000094	R-CHIP		SA
#N/A	2007-000096	R-CHIP		SA
#N/A	2007-000098	R-CHIP		SA
#N/A	2007-000113	R-CHIP		SA
#N/A	2007-000115	R-CHIP		SNA
#N/A	2007-000134	R-CHIP		SA
#N/A	2007-000287	R-CHIP		SA
#N/A	2007-000475	R-CHIP		SA
#N/A	2007-000539	R-CHIP		SA
#N/A	2007-000608	R-CHIP		SA
#N/A	2007-000839	R-CHIP		SA

SA : SERVICE AVAILABLE SNA : SERVICE not AVAILABLE DNA : DELIVERY not AVAILABLE

Draw# (Section-No)	Parts Code	Description & Specification	Location	SA
#N/A	2007-000965	R-CHIP		SA
#N/A	2007-001002	R-CHIP		SA
#N/A	2007-007226	R-CHIP		SNA
#N/A	2007-007276	R-CHIP		SNA
#N/A	2007-007611	R-CHIP		SNA
#N/A	2007-007613	R-CHIP		SNA
#N/A	2008-000166	R-FUSIBLE		SA
#N/A	2011-001094	R-NET		SA
#N/A	2203-000041	C-CER,CHIP		SA
#N/A	2203-000189	C-CER,CHIP		SA
#N/A	2203-000192	C-CER,CHIP		SA
#N/A	2203-000236	C-CER,CHIP		SA
#N/A	2203-000426	C-CER,CHIP		SA
#N/A	2203-000440	C-CER,CHIP		SA
#N/A	2203-000626	C-CER,CHIP		SA
#N/A	2203-000681	C-CER,CHIP		SA
#N/A	2203-000783	C-CER,CHIP		SA
#N/A	2203-000998	C-CER,CHIP		SA
#N/A	2203-002392	C-CER,CHIP		SA
#N/A	2401-000207	C-AL		SNA
#N/A	2401-002300	C-AL		SA
#N/A	2404-000284	C-TA,CHIP		SA
#N/A	2404-001102	C-TA,CHIP		SNA
#N/A	2802-001069	RESONATOR-CERAMIC		SNA
#N/A	3301-000325	BEAD-SMD		SNA
#N/A	3710-002211	SOCKET-BOARD TO BOARD		SNA
#N/A	6003-000282	SCREW-TAPTITE		SA
#N/A	6009-001396	SCREW-SPECIAL		SNA
#N/A	JB13-00004A	IC ASIC-OPE		SA
#N/A	JC39-00421A	CBF HARNESS-SOLENOID		SA
#N/A	JC39-00422A	CBF HARNESS-SET_CR		SA
#N/A	JC39-00505A	CBF HARNESS-FUSER AC		SA
#N/A	JC39-00575A	CBF HARNESS-FAN		SA
#N/A	JC39-00588A	HARNESS-TEMP		SA
#N/A	JC41-00168A	PCB-ITB KEY		SNA
#N/A	JC41-00263A	PCB SUB-DRIVER		SNA
#N/A	JC41-00265A	PCB SUB-DEVE_CRUM		SNA
#N/A	JC41-00270A	PCB SUB-PCI NPC		SNA
#N/A	JC41-00274A	PCB SUB-LCD_PANEL		SNA
#N/A	JC61-00995A	BRACKET-P-DRAW_PTB		SNA
#N/A	JC61-01017A	HOLDER-_M_MIDDLE PART		SA
#N/A	JC70-10961A	IPR-TERMINAL FU	K3422	SA
#N/A	JC72-01140A	PMO-COVER FUSER AC	Z2607	SA
#N/A	JC73-00226A	RUBBER-PICK UP		SA
#N/A	JC96-02686B	ELA UNIT-ROLLER P/UP MP	K3144	SA
#N/A	JC97-02150A	MEA UNIT-REGI		SA
#N/A	0205-001067	GREASE-GRAPHITE		SNA
#N/A	1103-001183	IC-EEPROM		SA
#N/A	1404-001141	THERMISTOR-NTC		SNA
#N/A	JC39-00420A	CBF HARNESS-FEED		SA
#N/A	JC39-00427A	CBF HARNESS-DEVE_IF		SA
#N/A	JC39-00430A	CBF HARNESS-FCF_EMPTY		SA
#N/A	JC41-00169A	PCB-TEMPERATURE		SNA
#N/A	JC41-00225A	PCB SUB-GINKGO_ITB		SNA
#N/A	JC41-00266A	PCB SUB-COLOR_REGI		SNA
#N/A	JC61-00705A	HOLDER-M-PICKUP MP	P2062	SA
#N/A	JC61-70929A	SPRING ETC-HV LARGE		SA
#N/A	JC70-40912A	ICT-SHAFT HV LARGE	S4027	SA
#N/A	JC94-01062A	PHANTOM AU JC92-01661A		SNA
#N/A	JC94-01063A	PHANTOM AU JC92-01662A		SNA
#N/A	JC94-01070A	PHANTOM AU JC92-01671A		SNA
#N/A	2001-000281	R-CARBON		SA
#N/A	3711-005851	HEADER-BATTERY		SA
#N/A	JC41-00133A	PCB-SENSOR		SNA
#N/A	JC41-00264A	PCB SUB-DEVE_CRUM_IF		SNA