

5. Exploded Views and Parts List

- 5-1 Main Assembly Exploded view page(5-2)
- 5-2 Top Assembly Exploded view page(5-4)
- 5-3 Frame Assembly Exploded view page(5-6)
- 5-4 Exit Assembly Exploded view page(5-9)
- 5-5 Fuser Assembly Exploded view page(5-11)
- 5-6 Rack-MPF Assembly Exploded view page(5-13)
- 5-7 Drive Assembly Exploded view page(5-15)
- 5-8 Pick-Up Assembly Exploded view page(5-17)
- 5-9 Cassette Assembly Exploded view page(5-19)

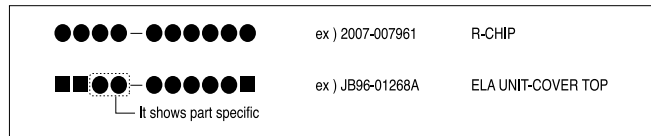
- Deal drawings and service parts are declared for the items with higher rate of inferiority and replaceable in the level of service description only.
- If inferiority occurs, you can replace the parts by the unit declared in deal drawings and service items.

.....

Way to observe Part Code & Description

Part code and Description is quoted and controlled by determined standard. Refer to this determined standard, it will help with ordering Part.

- There are two kinds of Part code inscription type.



(● : figure, ■ : character (alphabet))

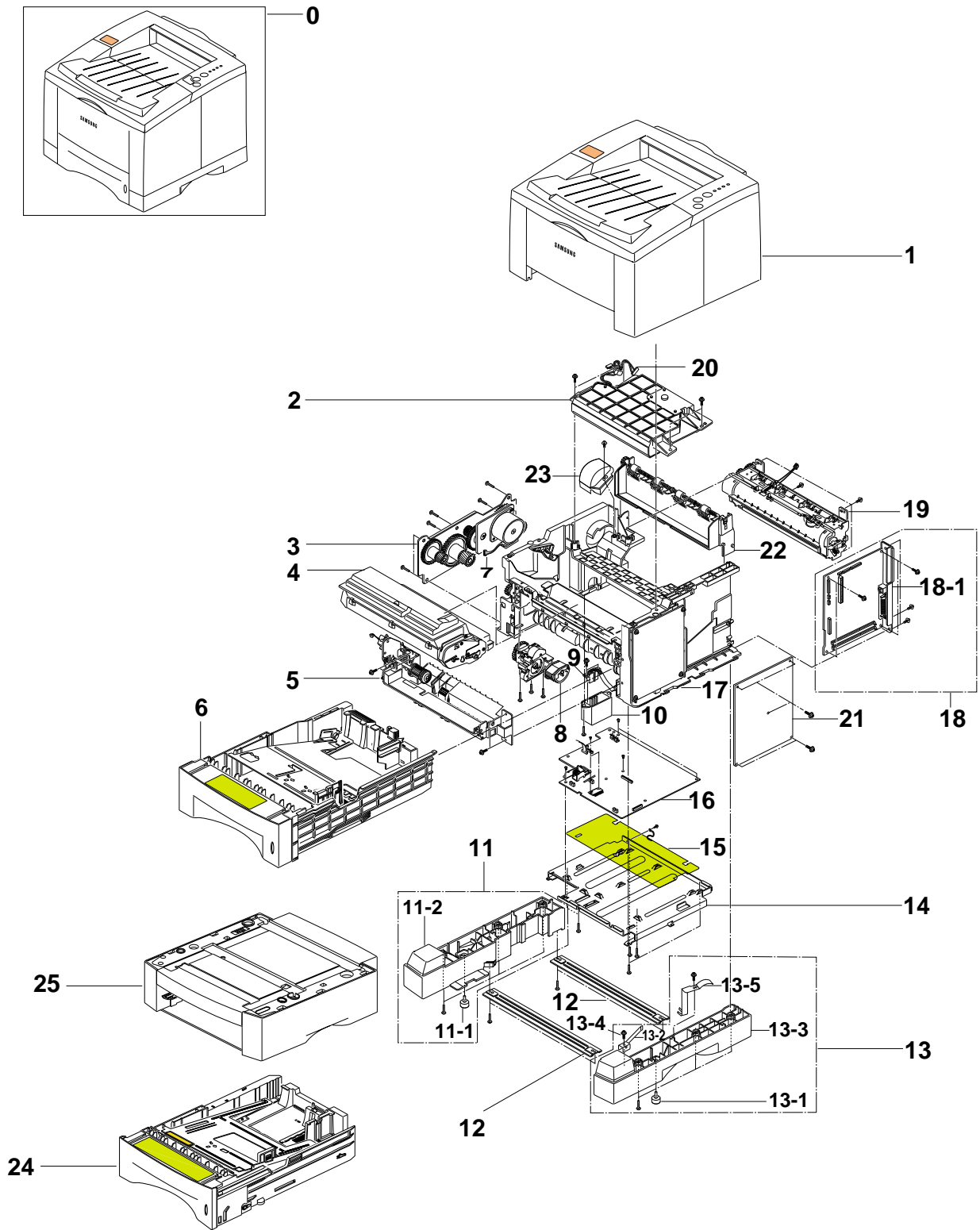
Type 1 : Controlled by Company : It can be commonly used for all kinds of product SEC produce. Mostly, electronics Parts.

Type 2 : Controlled by Division : It is used or one produce. Mostly, Mostly, mechanical Parts.

- **A/S privately used part** : It is only used for A/S .
- **Ass'y part** : Assembled by more than 2 Parts. If necessary part is not A/S Part, Ass'y part including necessary par can be used. It is shown in the diagram and drawing of SVC manual.
- Ass'y part and A/S privately used Part is distinguished by part Code and Description. The are inscription type 2. It is recognized by Part character and front side of description.

DIVISION	PART CODE	DESCRIPTION
A/S Private	**81-***** (JB81-00039A)	AS-***** (AS-USE)
ASS'Y Part	**75-***** (JB75-00068A)	MEC-***** (MEC-CHUTE)
ASS'Y Part	**92-***** (JB92-01131A)	PBA ***** (PBA MAIN-CONTROLLER)
ASS'Y Part	**97-***** (JB97-01089A)	MEA ***** (MEA UNIT-PULLEY IDLE)

5-1 Main Assembly Exploded view



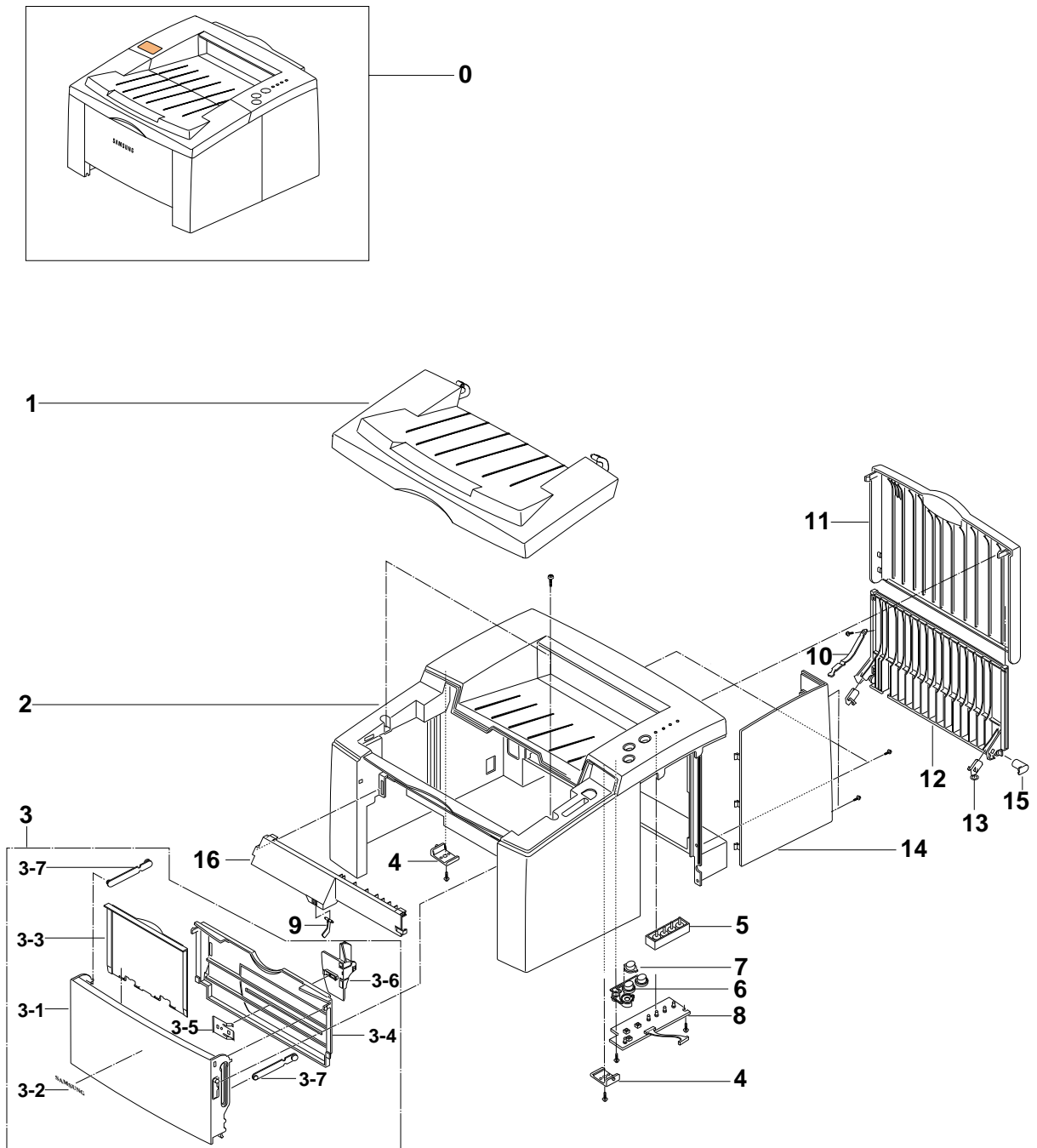
< Main Assembly Parts List >

SA. : Service Available

NO	DESCRIPTION	SEC CODE	Q'TY	SA	REMARK
1	ELA HOU-COVER MAIN	<see page 5-5>	1	X	
2	UNIT-LSU	JC59-00004A	1	O	
3	ELA UNIT-MOTOR	JC96-02058A	1	O	
4	ELA UNIT-DEVE	*	1	X	
5	ELA HOU-MPF	JC96-01650B	1	O	
6	MEA RACK-FEEDER CST	JC97-01323D	1	O	500 SHEETS
7	CBF-HARNESS-MOTOR	*	1	X	
8	MEA UNIT-FEEDER	JC97-01324A	1	O	
9	CBF HARNESS-ENG SCF	JC39-00154A	1	O	
10	PMO-SUPPORT SCF	JC72-00639A	1	O	
11	MEA UNIT-BRKT BOTTOM(L)	JC97-01315A	1	O	
11-1	FOOT-RUBBER	*	1	X	
11-2	PMO-BRKT BASE L	*	1	X	
12	IPR-BAR CROSS BOTTOM	JC70-00098A	2	O	
13	MEA UNIT-BRKT BOTTOM(R)	JC97-01316A	1	O	
13-1	FOOT-RUBBER	*	1	X	
13-2	IPR-PLATE CST GUIDE	*	1	X	
13-3	PMO-BRKT BASE R	*	1	X	
13-4	SCREW-TAPTITE	*	3	X	
13-5	IPR-GROUND SCF BASE	*	1	X	
14	SHIELD-PCU	JC70-00080A	1	O	
15	PCT-INSULATOR PCU	JC72-00334A	1	O	
16	PBA MAIN-ENGINE_V1(110V)	JC92-01394A	1	O	110V
	PBA MAIN-ENGINE_V2(220V)	JC92-01396A	1	O	220V
17	ELA UNIT-FRAME BASE_V1(110V)	JC96-01641M	1	O	110V
	ELA UNIT-FRAME BASE_V2(220V)	JC96-01641L	1	O	220V
18	ELA HOU-CONTROLLER	JC96-02424A	1	O	
18-1	PBA MAIN CONTROLLER	JC92-01393A	1	O	ML-1450
	PBA MAIN CONTROLLER	JC92-01408A	1	O	ML-1451N
19	AS-FUSER ASSY_V1(110V)	JC96-02439A	1	O	110V
	AS-FUSER ASSY_V2(220V)	JC81-00395A	1	O	220V
20	CBF HARNESS-LSU	*	1	X	
21	PBA PWR-HVPS_HAWK	JC92-01313A	1	O	
22	MEA RACK-HOU EXIT	JC97-01338L	1	X	
23	PMO-DUCT FAN	JC72-00582A	1	O	
24	MEA RACK-CAST,SCF	*	1	X	OPTIONAL
25	ELA HOU-SCF	*	1	X	OPTIONAL

O: Service available X: Service not available

5-2 Top Assembly Exploded view



< Top Assembly Parts List >

SA. : Service Available

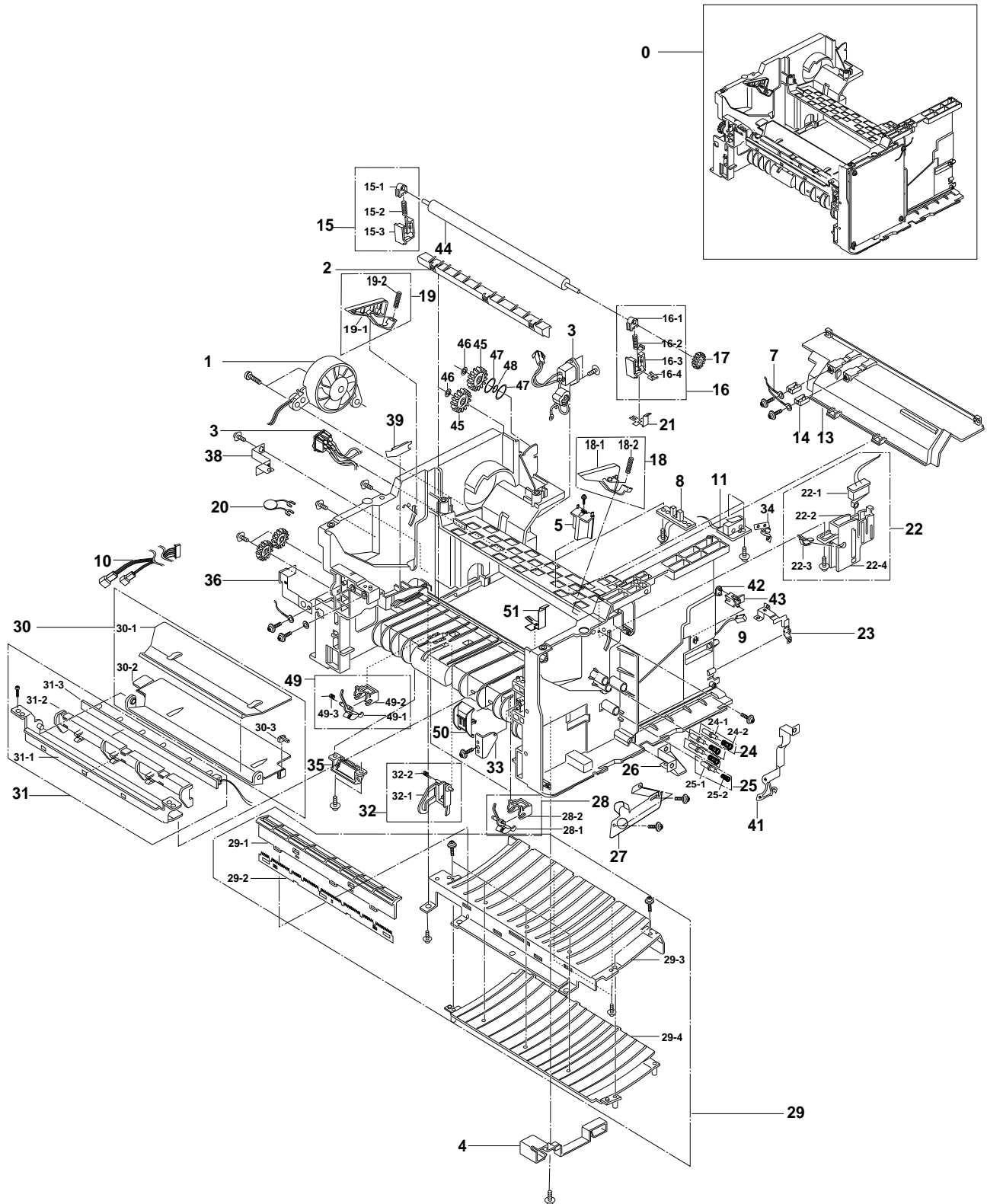
NO	DESCRIPTION	SEC CODE	Q'TY	SA	REMARK
0	ELA HOU-COVER MAIN	<see below table>	1	O	
1	PMO-COVER OPEN	*	1	X	
2	PMO-COVER MAIN	*	1	X	
3	MEA UNIT-MP TRAY	JC97-01325A	1	O	
3-1	PMO-COVER-MP	*	1	X	
3-2	NPR-BADGE (45)	*	1	X	
3-3	PMO-TRAY EXTENSION MP	*	1	X	
3-4	PMO-TRAY HOLDER MP	*	1	X	
3-5	IPR-GUIDE LATCH	*	1	X	
3-6	PMO-ADJUSTER_P SIDE	*	1	X	
3-7	PMO-TRAY LINK MP	*	2	X	
4	STOPPER HINGE OPEN	*	2	X	
5	PMO-LENS LED	*	1	X	
6	PMO-KEY BUTTON	*	1	X	
7	PMO-KEY SAVE MODE	*	1	X	
8	PBA LED PANEL-II	*	1	X	
9	PMO-LEVER_EMPTY, MP	*	1	X	
10	PMO-STOPPER_EXIT,P	*	1	X	
11	PMO-COVER REAR	*	1	X	
12	PMO-SACKER REAR	*	1	X	
13	IPR-SPRING LOCKER REAR	*	2	X	
14	PMO-COVER CONTROLLER	JC72-00358A	1	O	
15	PMO-CAP REAR	*	1	X	
16	PMO-SUPPORT MAIN	*	1	X	
S1	SCREW-TAPTITE	*	12	X	

O: Service available X: Service not available

◆ ELA HOU-COVER MAIN

ML-1450/XAA	JC96-02269E
ML-1450/XAC	JC96-02269E
ML-1450/XAX	JC96-02269L
ML-1450/XEC	JC96-02269L
ML-1450/XEF	JC96-02269K
ML-1450/XEG	JC96-02269E
ML-1450/XET	JC96-02269E
ML-1450/XEU	JC96-02269E
ML-1450/XEV	JC96-02269V
ML-1450/XIL	JC96-02269J
ML-1450/XIP	JC96-02269E
ML-1450/XSA	JC96-02269E
ML-1451N/XEF	JC96-02269Q
ML-1451N/XEG	JC96-02269T
ML-1451N/XEU	JC96-02269T

5-3 Frame Assembly Exploded view



< Frame Assembly Parts List >

SA. : Service Available

NO	DESCRIPTION	SEC CODE	Q'TY	SA	REMARK
0	ELA UNIT-FRAME BASE	JC96-01641M	1	O	110V
	ELA UNIT-FRAME BASE	JC96-01641L	1	O	220V
1	FAN-DC-HAWK	JC31-00004A	1	O	
2	PMO-GUIDE RIB	*	1	X	
3	CBF HARNESS-INLET ASS'Y	*	1	X	
4	PMO-HOLDER WIRE	*	1	X	
5	KEY DEVE	*	1	X	
6	GEAR-EXIT /U ID	*	1	X	
7	CBF-HARNESS_FUSER	*	1	X	
8	PBA SUB-EXIT SENSOR	*	1	X	
9	CBF-HARNESS-THERMISTOR JOINT	*	1	X	
10	CBF-HARNESS-MP_CLUTCH ENG	*	1	X	
11	PBA SUB-FUSER SW	JC92-01261B	1	O	
13	PMO-FRAME COVER	*	1	X	
14	IPR-TERMINAL FU	*	2	X	
15	ELA-UNIT-HOLDER TR L	JC96-01730A	1	O	
15-1	PMO-BUSHING TR	*	1	X	
15-2	SPRING TR L	*	1	X	
15-3	PMO-TRANSFER HOLDER	*	1	X	
16	ELA-UNIT-HOLDER TR R	JC96-01729A	1	O	
16-1	PMO-BUSHING TR	*	1	X	
16-2	SPRING TR R	*	1	X	
16-3	PMO-TRANSFER HOLDER	*	1	X	
16-4	IPR-PLATE TR	*	1	X	
17	GEAR-TR 29	JC66-00039A	1	O	
18	ELA UNIT-GUIDE DEVE L	*	1	X	
18-1	PMO-GUIDE DEVE L	*	1	X	
18-2	SPRING GUIDE DEVE	*	1	X	
19	ELA UNIT-GUIDE DEVE R	*	1	X	
19-1	PMO-GUIDE DEVE R	*	1	X	
19-2	SPRING GUIDE DEVE	*	1	X	
20	ELA HOU-VARISTOR	JC96-01772A	1	O	
21	IPR-TERMINAL TR	*	1	X	
22	ELA UNIT-SENSOR DEVE	*	1	X	
22-1	PBA SUB-SWITCH	*	1	X	
22-2	PMO-HOLDER ACTUATOR	*	1	X	
22-3	PMO-ACTUATOR DEVE	*	1	X	
23	GROUND FU	*	1	X	
24	ELA UNIT-TERMINAL TR S	*	3	X	
24-1	ICT-SHAFT HV LARGE	*	3	X	
24-2	SPRING-HV LARGE	*	3	X	
25	ELA UNIT-TERMINAL TR L	*	1	X	
25-1	ICT-SHAFT HV LARGE	*	1	X	

O: Service available X: Service not available

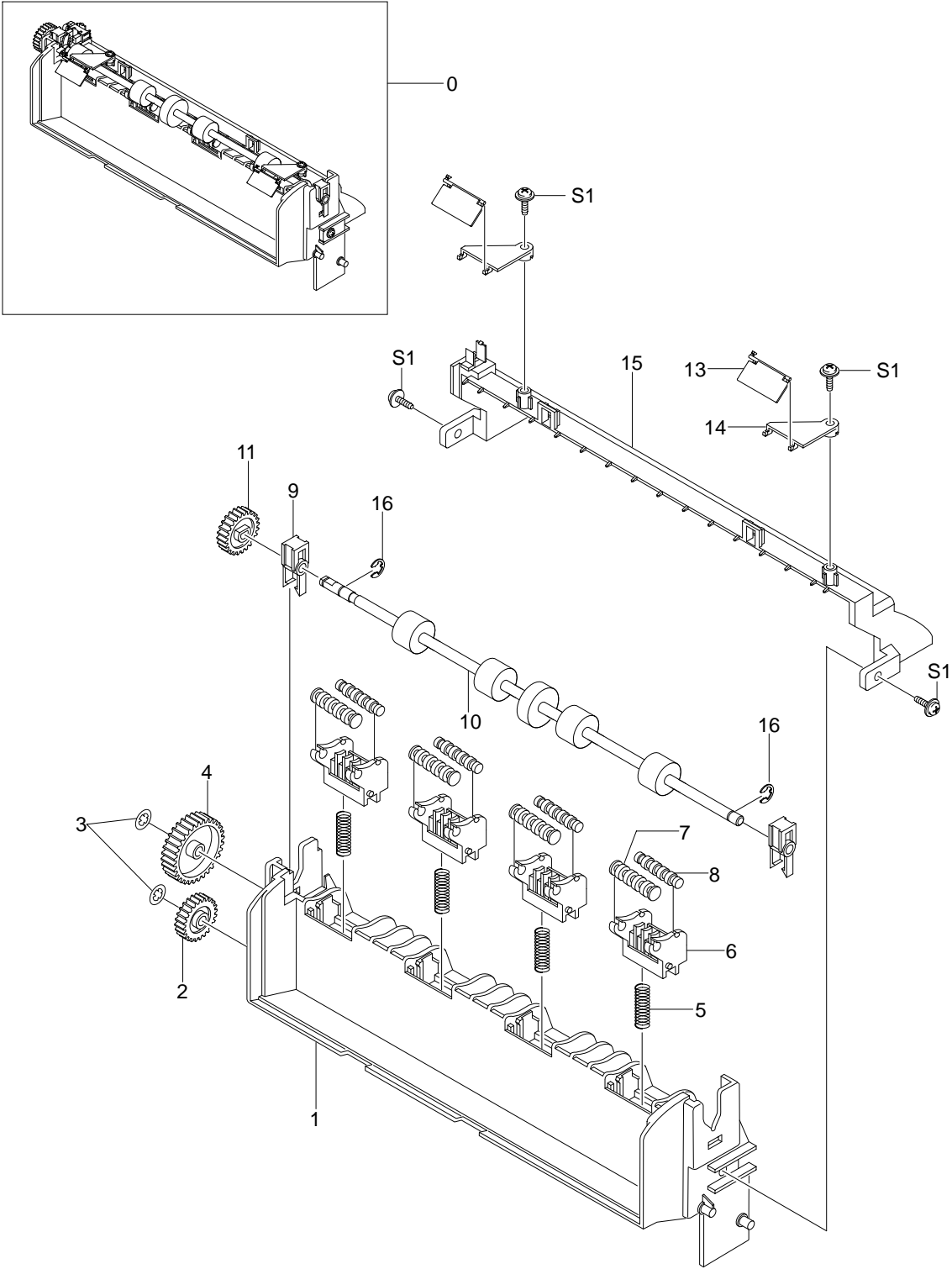
< Frame Assembly Parts List Cont.>

SA. : Service Available

NO	DESCRIPTION	SEC CODE	Q'TY	SA	REMARK
25-2	SPRING-HV SMALL	*	1	X	
26	GROUND-HVPS	*	1	X	
27	IPR-REMOVE KEY	JC70-00139A	1	O	
28	ELA UNIT-ACTUATOR FEED	*	1	X	
28-1	PMO-ACTUATOR FEED	*	1	X	
28-2	PMO-HOLDER ACTUATOR	*	1	X	
29	ELA UNIT-GUIDE TRANSFER	*	1	X	
29-1	PMO-HADER SAW PLATE	*	1	X	
29-2	IPR-PLATE SAW	*	1	X	
29-3	IPR-GUIDE TRANSFER	*	1	X	
29-4	PMO-GUIDE RIB TR	*	1	X	
30	ELA UNIT-GUIDE FEED HAWK16	JC96-01653C	1	O	
30-1	PMO-GUIDE OPTIC	*	1	X	
30-2	GUIDE FEED	*	1	X	
30-3	PMO-HOLDER G/PAPER	*	1	X	
31	ELA UNIT-PTL	*	1	X	
31-1	GUIDE PLATE FEED	*	1	X	
31-2	PMO-HOLDER PTL	*	1	X	
31-3	PBA SUB-PTL	*	1	X	
32	ELA UNIT-EMPTY ACT	*	1	X	
32-1	PMO-ACTUATOR EMPTY HAWK	*	1	X	
32-2	SPRING EMPTY	*	1	X	
33	PMO-HINGE GUIDE FEED	JC72-00321A	1	O	
34	IPR-GND ICU 2	JC70-00150A	1	O	
35	PMO-CAP SENSOR	*	1	X	
36	GND MP	*	1	X	
37	GEAR P/UP DRV	JC66-40219A	1	O	
38	GROUND MOTOR	*	1	X	
39	IPR-GUIDE DUST	*	1	X	
41	IPR-OPC-HAWK	*	1	X	
42	CAP CONNECTOR L	*	1	X	
43	CAP CONNECTOR U	*	1	X	
44	MEC-ROLLER TRANSFER	JC75-10963B	1	O	
45	GEAR IDLE Z27	*	1	X	
46	RING-CS	*	2	X	
47	WASHER-PLAIN	*	2	X	
48	IPR-WASHER SPRING SU	*	1	X	
49	ELA UNIT-ACTUATOR FEED HAWK14	*	1	X	
49-1	PMO-ACTUATOR FEED	*	1	X	
49-2	PMO-HOLDER ACTUATOR	*	1	X	
49-3	SPRING ETC-FEED HAWK14	*	1	X	
50	PMO-GUIDE_SKEW(12)	*	1	X	
51	IPR-TERMINAL TR HAWK	*	1	X	

O: Service available X: Service not available

5-4 Exit Assembly Exploded view



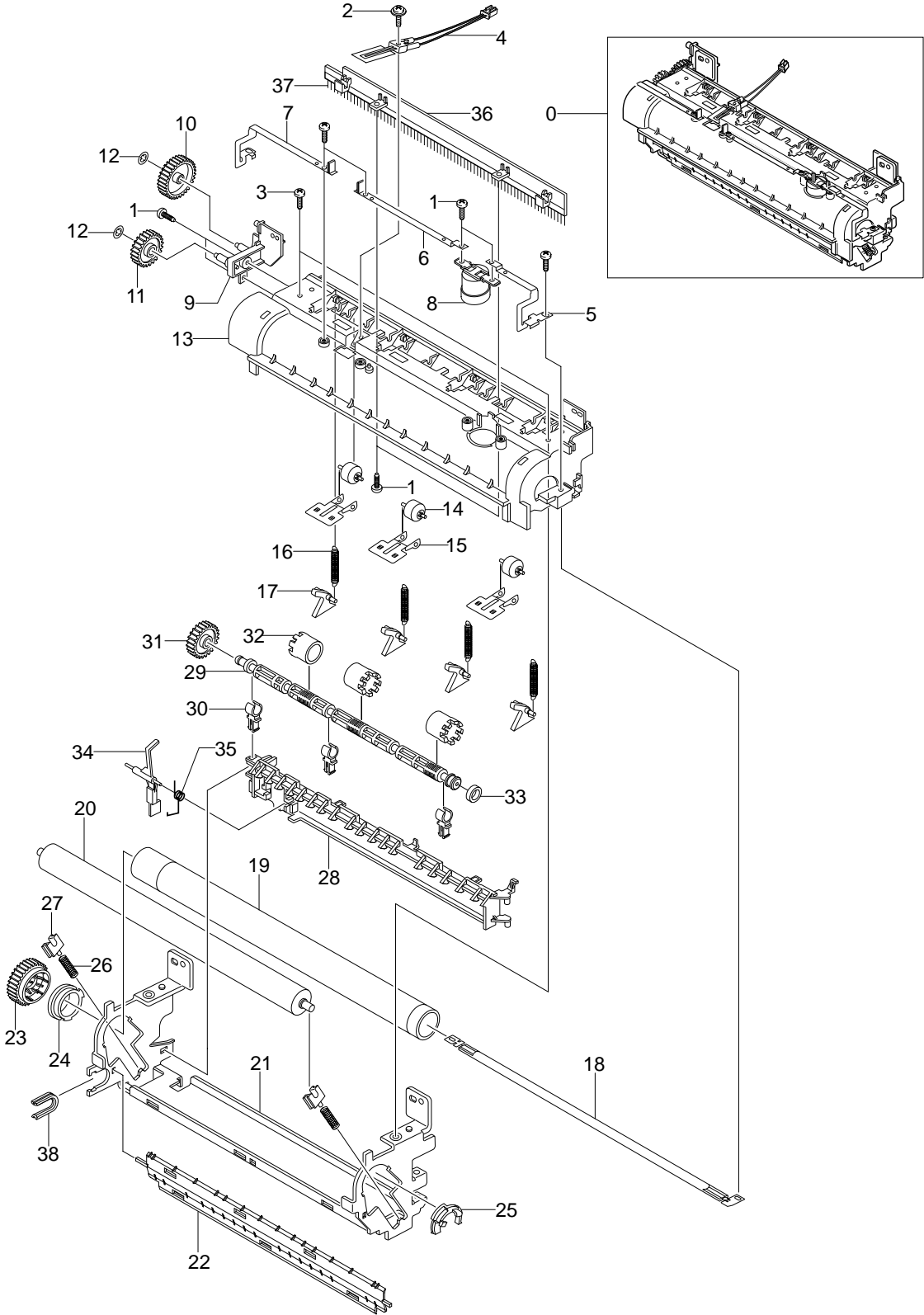
< Exit Ass'y Parts List >

SA. : Service Available

NO	DESCRIPTION	SEC CODE	Q'TY	SA	REMARK
0	MEA RACK-HOU EXIT	JC97-01338L	1	O	
1	PMO-FRAME REAR	*	1	X	
2	GEAR-EXIT/U, ID	*	1	X	
3	RING-CS	*	2	X	
4	GEAR-IDLE 25	*	1	X	
5	SPRING-F/DOWN	*	4	X	
6	PMO-HOLDER EXIT_F/DOWN	*	4	X	
7	PMO-ROLLER-EXIT, MAIN	*	4	X	
8	PMO-ROLLER-EXIT, FR	*	4	X	
9	MEC-BEARING, EXIT RING-C	*	2	X	
10	MEA UNIT-ROLL EXIT	*	1	X	
11	GEAR-EXIT	*	1	X	
12	MEC-BEARING, EXIT RING-C	*	2	X	
13	HOLDER LEVER	*	2	X	
14	LEVER STACKING	*	2	X	
15	GUIDE EXIT	*	1	X	
16	RING-C	*	2	X	
S1	SCREW TAPTITE	*	4	X	

O: Service available X: Service not available

5-5 Fuser Assembly Exploded view



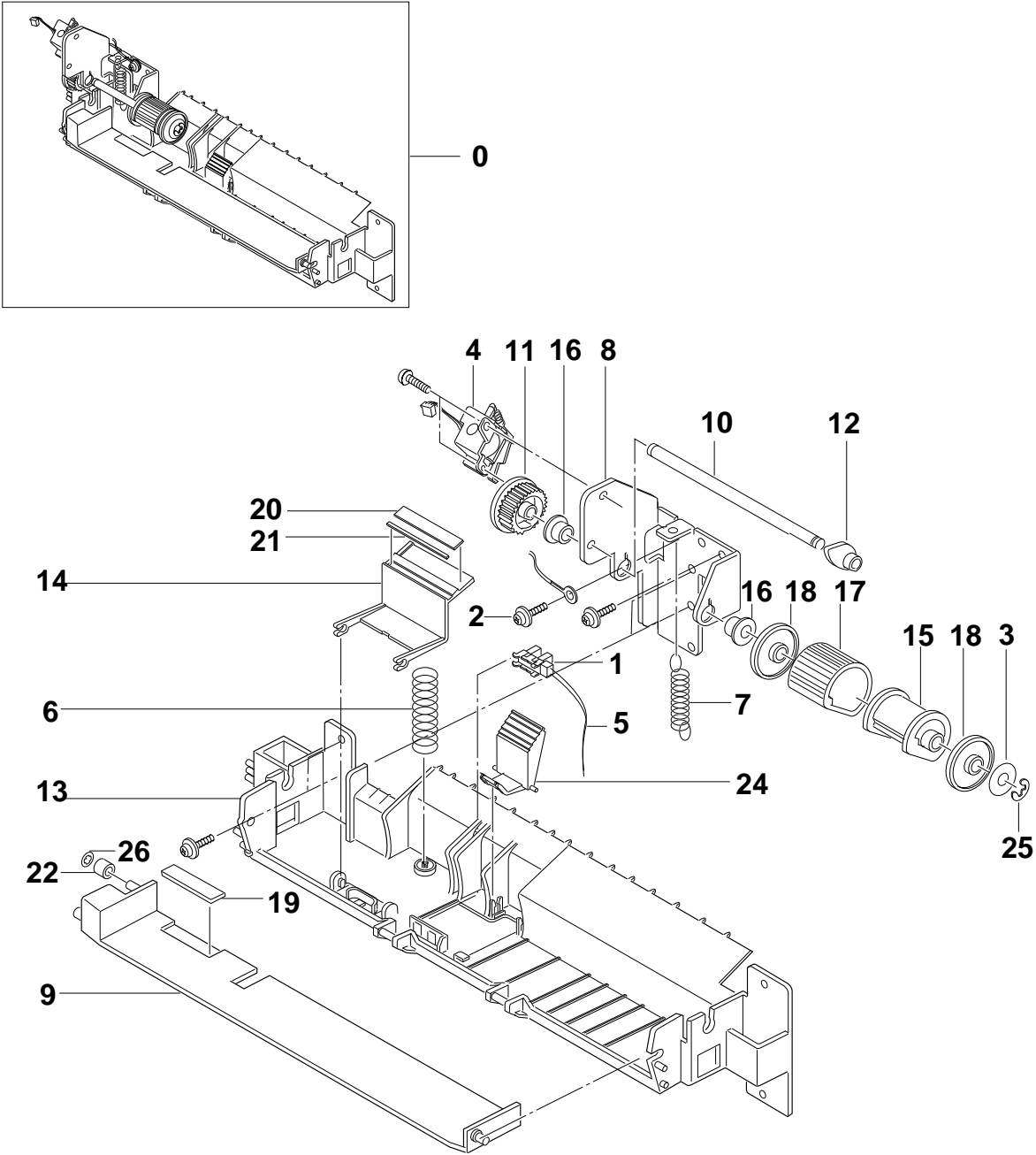
< Fuser Assembly Parts List >

SA. : Service Available

NO	DESCRIPTION	SEC CODE	Q'TY	SA	REMARK
0	AS-FUSER ASSY	JC96-02439A	1	O	110V
	AS-FUSER ASSY	JC81-00395A	1	O	220V
1	SCREW TAPTITE M3 x 8, BH+	*	10	X	
2	SCREW TAPTITE M3 x 10, FH+	*	1	X	
3	SCREW MACHINE M3 x 6	*	2	X	
4	THERMISTOR-FUSER	JC14-00001A	1	O	
5	ELECTRODE FU R	*	1	X	
6	ELECTRODE FU M	*	1	X	
7	ELECTRODE FU L	*	1	X	
8	THERMOSTAT	*	1	X	
9	BRKT GEAR FUSER	*	1	X	
10	GEAR-IDLE 25	*	1	X	
11	GEAR-IDLE 15	*	1	X	
12	RING-CS	*	2	X	
13	COVER FUSER	*	1	X	
14	ROLLER EXIT_F/UP	*	3	X	
15	EXIT_F/UP (SPRING)	*	3	X	
16	SPRING-CLAW	*	4	X	
17	GUIDE-CLAW	*	4	X	
18	LAMP-HALOGEN	4713-001135	1	O	110V
	LAMP-HALOGEN	4713-001136	1	O	220V
19	NEX-ROLLER-HEAT	JC71-20901A	1	O	
20	MEC-ROLLER PRESSURE	JC75-00114A	1	O	
21	FRAME FUSER	*	1	X	
22	PMO-GUIDE INPUT	*	1	x	
23	GEAR FUSER, Z32	*	1	X	
24	BUSHING HR-L	*	1	X	
25	BUSHING HR-R	*	1	X	
26	SPRING-BEARING PR	*	2	X	
27	BUSHING PR	*	2	X	
28	GUIDE REAR	*	1	X	
29	SHAFT EXIT_F/UP	*	1	X	
30	BUSHING_TX	*	3	X	
31	GEAR-EXIT	*	1	X	
32	RUBBER EXIT	*	3	X	
33	RUBBER EXIT F/UP	*	1	X	
34	ACTUATOR EXIT	*	1	X	
35	SPRING-ACTUATOR	*	1	X	
36	HOLDER BRUSH	*	1	X	
37	BRUSH ANTISTATIC	*	1	X	
38	HOLDER SHAFT	*	1	X	

O: Service available X: Service not available

5-6 Rack-MPF Assembly Exploded view



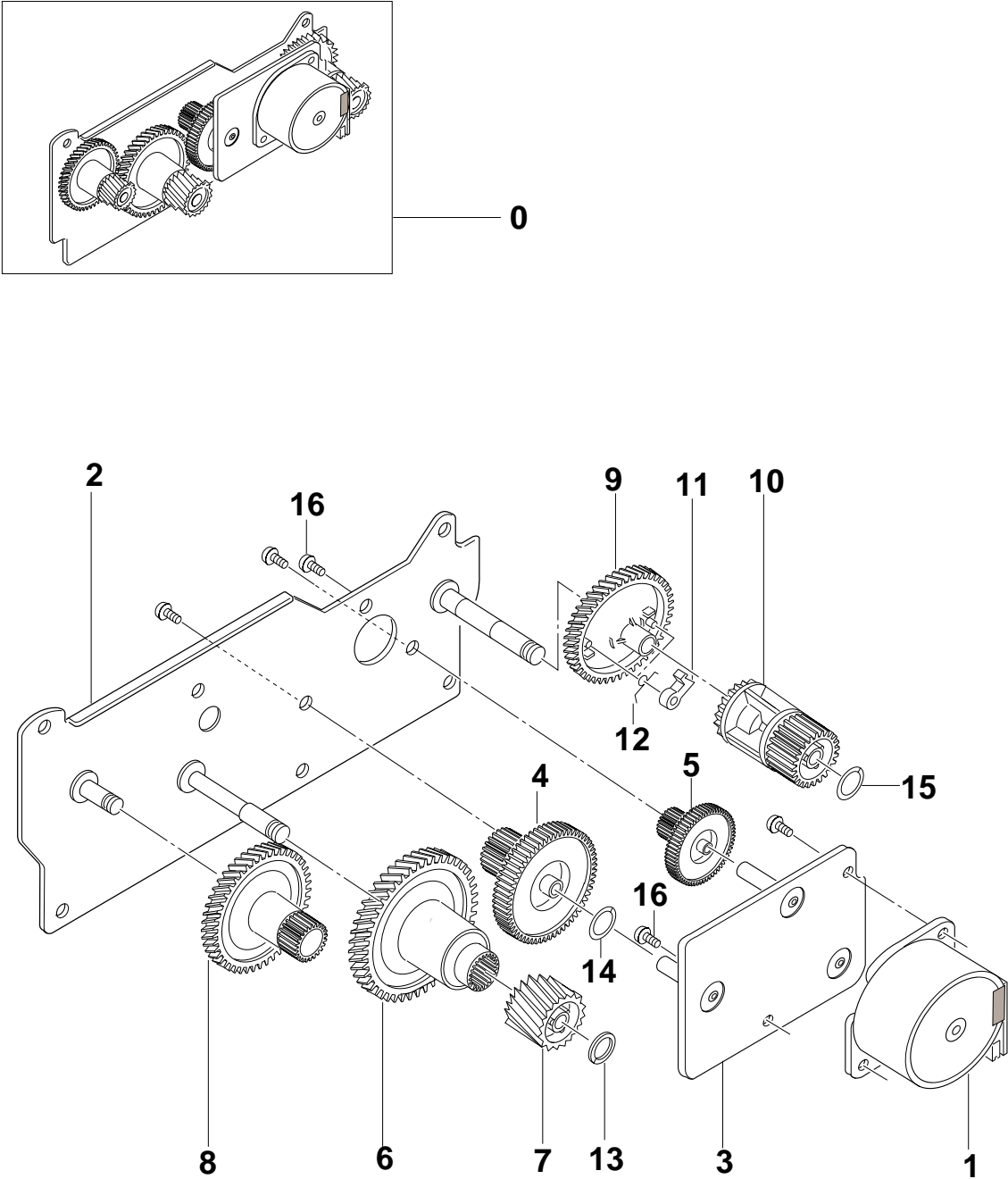
< Rack-MPF Assembly Parts List >

SA. : Service Available

NO	DESCRIPTION	SEC CODE	Q'TY	SA	REMARK
0	ELA HOU-MPF	JC96-01650B	1	O	
1	PHOTO-INTERRUPTER	0604-001095	1	O	
2	SCREW-TAPTITE	*	2	X	
3	WASHER-PLAIN	*	1	X	
4	SOLENOID	*	1	X	
5	CBF-HARNESS-MP_EMPTY	*	1	X	
6	SPRING KNOCK UP	*	1	X	
7	SPRING-PICK UP, MP	*	1	X	
8	BRACKET_MP	*	1	X	
9	PMO-PLT KNOCK_UP, MP	*	1	X	
10	ICT-SHAFT_P/U, MP	*	1	X	
11	PMO-GEAR P/U MP	*	1	X	
12	PMO-CAM PICK UP MP	*	1	X	
13	PMO-FRAME_MP	*	1	X	
14	PMO-HOLDER_P/U,MP	*	1	X	
15	PMO-HOUSING_P/U, MP	*	1	X	
16	PMO-BEARING-PICK UP	*	2	X	
17	RMO-RUBBER_P/U, MP	*	1	X	
18	PMO-IDLE PICK UP, MP	*	2	X	
19	RPR-PAD KNOCKUP, MP	*	1	X	
20	RCR-FRICTION PAD 1 MP	*	1	X	
21	RCR-FRICTION PAD 2 MP	*	1	X	
22	PMO-RING KNOCK UP MP	*	1	X	
23	SCREW TAPTITE	*	2	X	
24	PMO-ADJUST END MP	*	1	X	
25	RING-E	*	1	X	
26	RING-CS	*	1	X	

O: Service available X: Service not available

5-7 Drive Assembly Exploded view



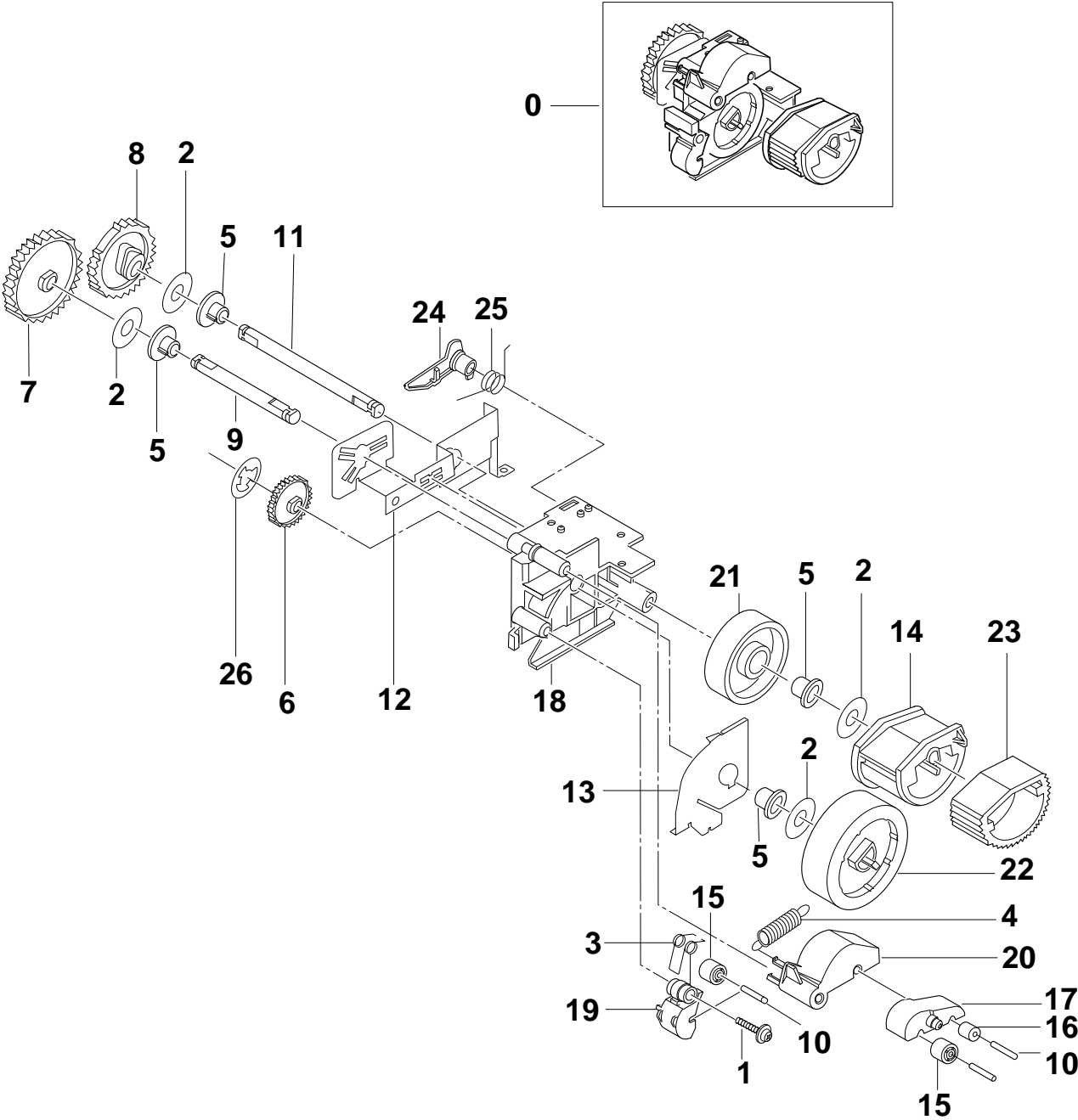
< Drive Assembly Parts List >

SA. : Service Available

NO	DESCRIPTION	SEC CODE	Q'TY	SA	REMARK
0	ELA UNIT-MOTOR	JC96-02058A	1	O	
1	MOTOR-STEP	JC31-00010A	1	O	
2	IPR-BRKT GEAR	*	1	X	
3	IPR-BRKT MOTOR	*	1	X	
4	GEAR-RDCN 145-70	*	1	X	
5	GEAR-RDCN 90-24	*	1	X	
6	GEAR-OPC DRV 135	*	1	X	
7	GEAR-OPC DRIVE2	*	1	X	
8	GEAR-FEED DRV	*	1	X	
9	GEAR-CLUTCH 56	*	1	X	
10	GEAR-FUSER DRV23	*	1	X	
11	PMO-CLUTCH LEVER	*	2	X	
12	SPRING-CLUTCH	*	2	X	
13	WASHER-PLAIN	*	1	X	
14	MPR-POLYWASHER 8	*	1	X	
15	WASHER-PLAIN	*	1	X	
16	SCREW-MACHINE	*	5	X	

O: Service available X: Service not available

5-8 Pick-Up Assembly Exploded view



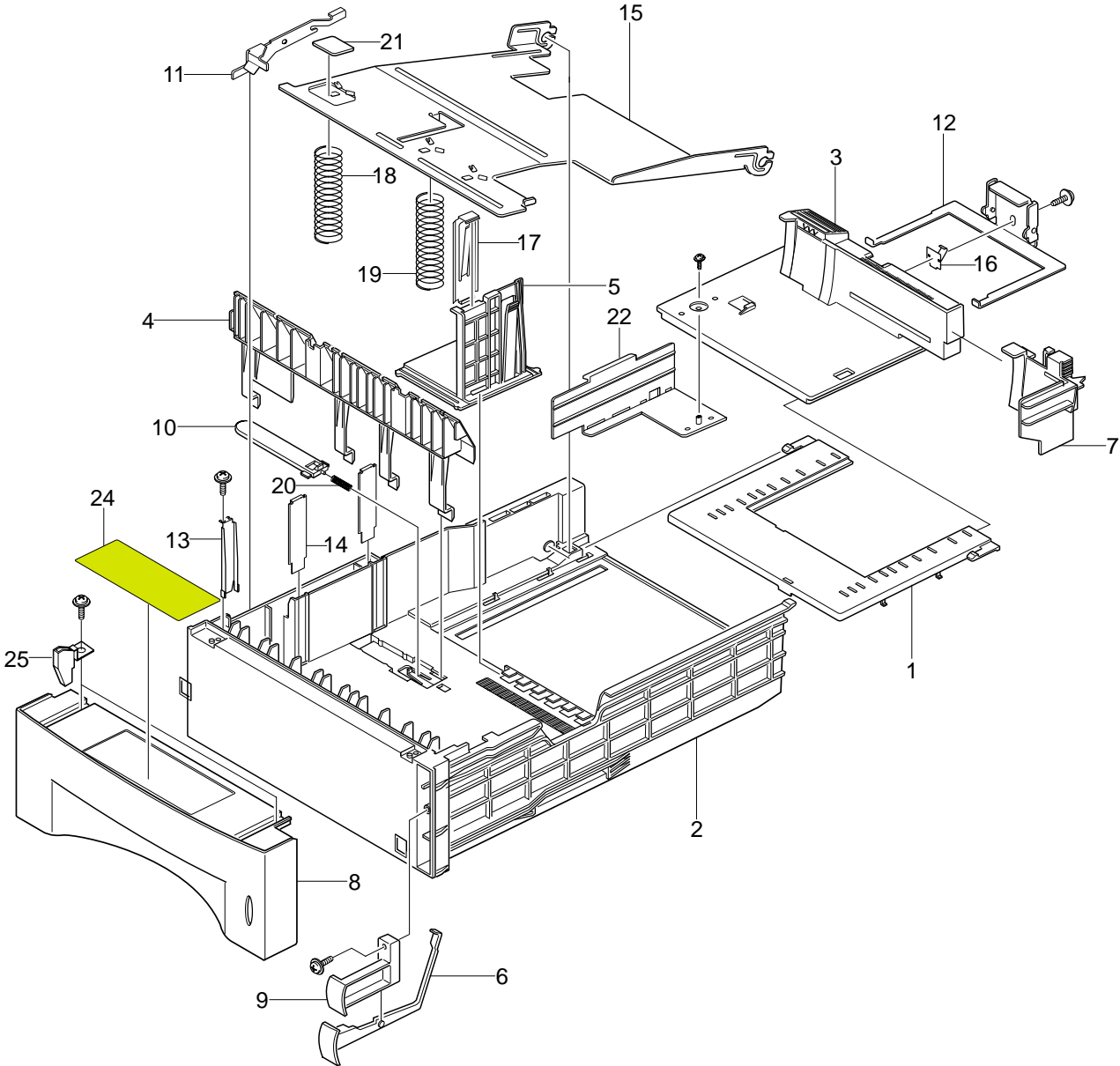
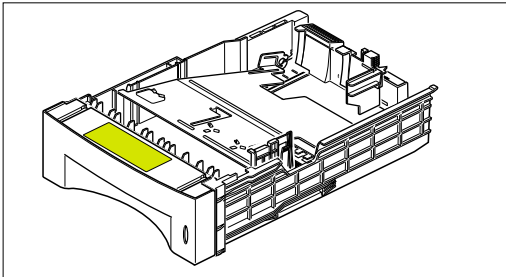
< Pick-Up Assembly Parts List >

SA. : Service Available

NO	DESCRIPTION	SEC CODE	Q'TY	SA	REMARK
0	MEA UNIT-FEEDER	JC97-01324A	1	O	
1	SCREW-TAPTITE	*	1	X	
2	WASHER-PLAIN	*	4	X	
3	SPRING-FEED(1)	*	1	X	
4	SPRING-FEED(2)	*	1	X	
5	BEARING-PICK UP	*	4	X	
6	GEAR-P/UP DRIVE	*	1	X	
7	GEAR-FEED	*	1	X	
8	GEAR-PICK UP(12)	*	1	X	
9	IPR-SHAFT FEED	*	1	X	
10	IPR-SHAFT FEED IDLER	*	3	X	
11	IPR-SHAFT PICK UP	*	1	X	
12	GROUND_FEED	*	1	X	
13	IPR-GUIDE_FEED	*	1	X	
14	PMO-HOUSING P/UP	*	1	X	
15	PMO-ROLLER FEED L	*	2	X	
16	PMO-ROLLER FEED S	*	1	X	
17	PMO-SUB HOLDER FEED	*	1	X	
18	PMO-FRAME_FEED	*	1	X	
19	PMO-HOLDER FEED(1)	*	1	X	
20	PMO-HOLDER FEED(2)	*	1	X	
21	PMO-IDLE PICK_UP	*	1	X	
22	PMO-ROLL_FEED, DRV 12	*	1	X	
23	RMO-RUBBER PICK_UP	*	1	X	
24	RMO-LEVER PICK_UP	*	1	X	
25	SPRING PICK UP(12)	*	1	X	
26	RING-CS	*	1	X	

O: Service available X: Service not available

5-9 Cassette Unit Exploded view



< Cassette Unit Parts List >

SA. : Service Available

NO	DESCRIPTION	SEC CODE	Q'TY	SA	REMARK
0	MEA UNIT FEEDER CST (500)	JC97-01323D	1	O	500 Sheets
1	PMO-COVER GUIDE EXT	*	1	X	
2	PMO-FRAME CASSETTE	*	1	X	
3	PMO-GUIDE EXT CST	*	1	X	
4	PMO-GUIDE PAPER	*	1	X	
5	PMO-GUIDE SIDE CST	*	1	X	
6	PMO-INDICATOR EMPTY	*	1	X	
7	PMO-SIDE GUIDE EXT	*	1	X	
8	PMO-SUB GUIDE CAST	*	1	X	
9	PMO-HOLDER_INDICATOR	*	1	X	
10	PMO-LOCKER PLATE	*	1	X	
11	IPR-FINGER	*	1	X	
12	IPR-GUIDE EXT LOCK	*	1	X	
13	IPR-GUIDE PAPER SCF	*	1	X	
14	IPR-GUIDE PLT PAPER	*	2	X	
15	IPR-PLATE KNOCK UP	*	1	X	
16	IPR-PLATE SPR LOCK	*	1	X	
17	IPR-SPR PLT G/SIDE	*	1	X	
18	SPRING PLATE K/UP 1	*	1	X	
19	SPRING PLATE K/UP 2	*	1	X	
20	SPRING LOCKER,PLATE	*	1	X	
21	RPR-PAD CST	*	1	X	
22	PMO GUIDE PAPER SIZE	*	1	X	
23	SCREW TAPTITE M3 x 10 NI	*	7	X	
24	LABEL(R)-CASSETTE	*	1	X	
25	GUIDE PAPER DUMMY	*	1	X	

O: Service available X: Service not available