

**SAMSUNG**

# LASER PRINTER

**ML-1600 Series**

**ML-1610/ML-1615P**

**Basic Model : ML-1610**

# **SERVICE** *Manual*

## LASER PRINTER



## The keynote of Product

- Speed : 17ppm (Ltr) / 16ppm(A4), 600dpi
- Paper Path : MPF Type Cassette
- Emulation : SPL (ML-1610 / ML-1615P)
- Processor : 150MHz Jupiter4e CPU
- Memory : ML-1610(SDRAM,2MB), ML-1615P(SDRAM,8MB)
- MP Cassette : 150 pages / Face Down (50 pages)
- Fuser Design : Lamp Type
- I/O : ML-1610(USB1.1), ML-1615P (USB1.1+IEEE 1284)
- Machine Life : 50K(pages)

# 7. Exploded Views and Parts List (ML-1610/XEU)

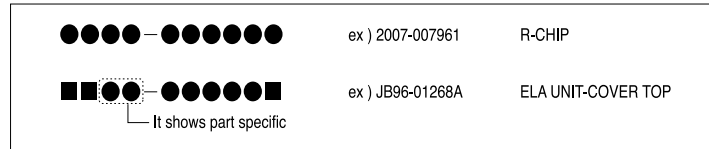
## Contents

- 7.1 Main Assembly
- 7.2 Frame Assembly
- 7.3 Fuser Unit
- 7.4 Paper Path Assembly

### Part Number & Description format.

Part numbers and descriptions are defined according to a company standard. The information below will help you to understand the part number format and assist when ordering spare parts.

- There are two types of Part number format.



( ● : number    ■ : letter )

**Type 1** : This format is used throughout Samsung on all product ranges. Typically it is used for small components and electronic parts.

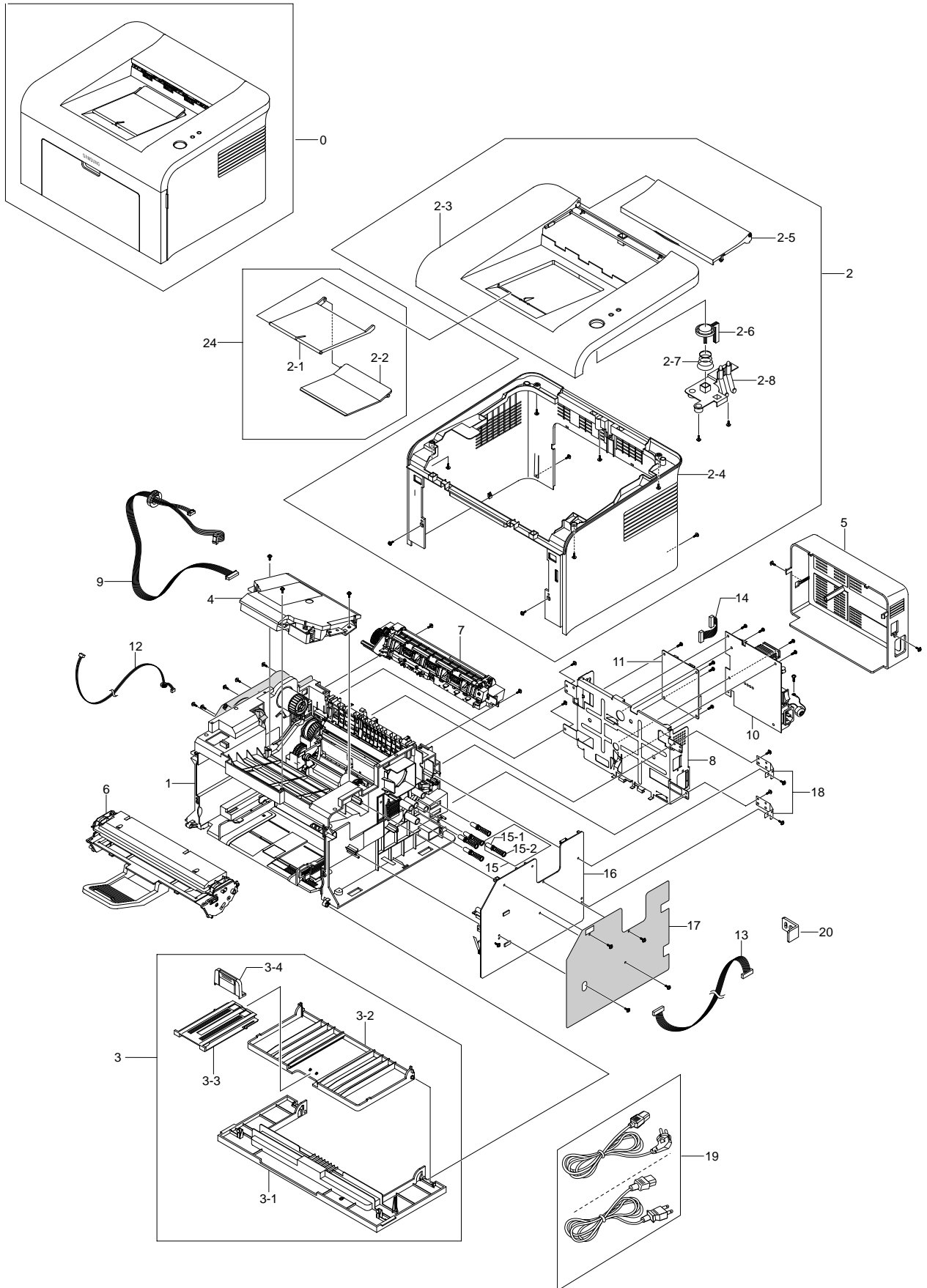
**Type 2** : This format is controlled by individual Samsung Divisions and is used on specific products, typically for mechanical parts. Type 2 format part numbers fall into 2 categories:

- **A/S privately used part** : It is only used for A/S .
- **Ass'y part** : Assemblies consisting of 2 or more parts. Also used for Service manuals, user guides and diagrams.

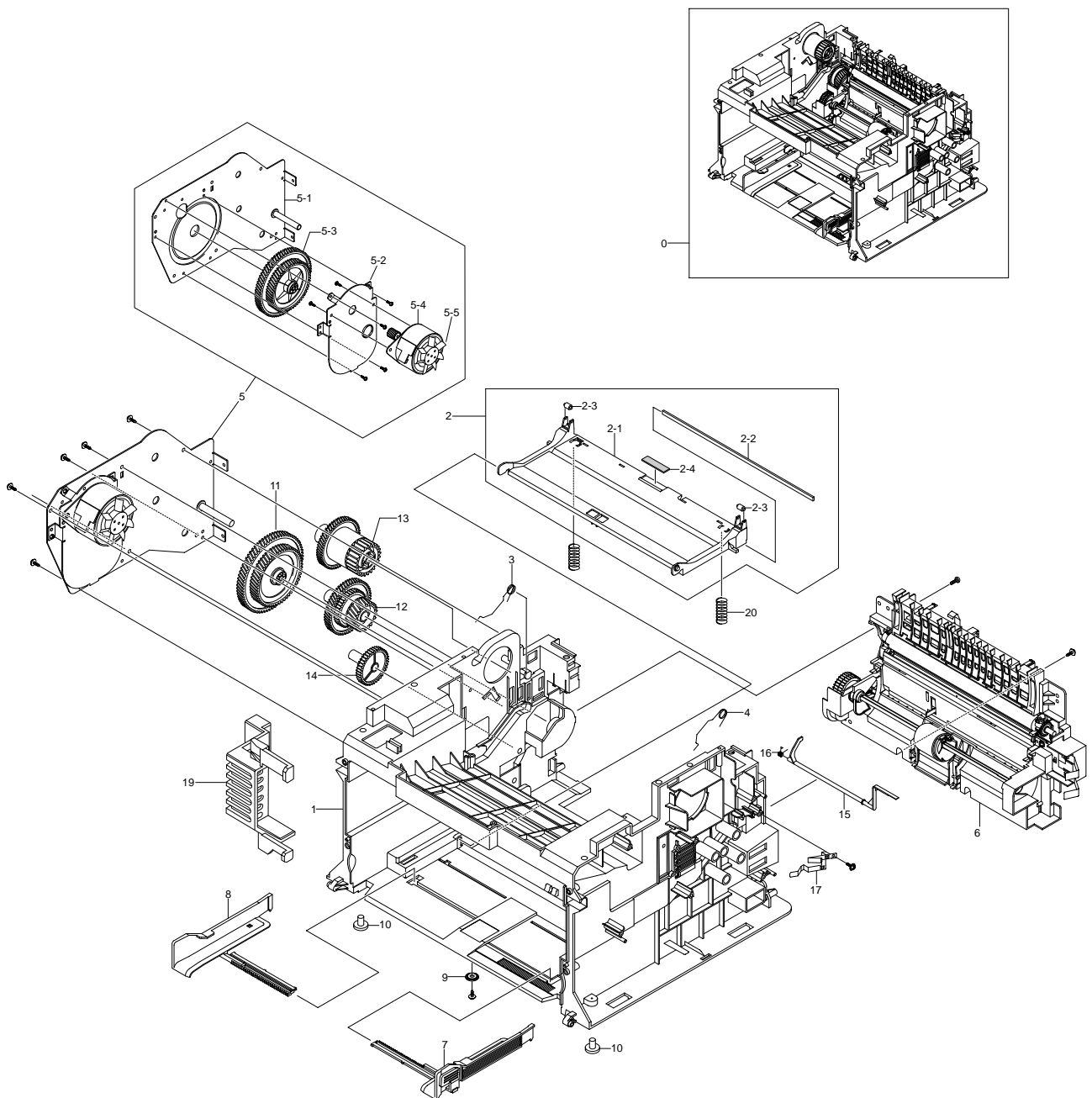
• Ass'y parts and A/S privately used Parts can be distinguished by the part Code and Description. They are always Type 2 format. The 2 leading characters indicate private or assembly parts.

DIVISION	PART CODE	DESCRIPTION
A/S Private	**81-***** (JB81-00039A)	AS-***** (AS-USE)
ASS'Y Part	**75-***** (JB75-00068A)	MEC-***** (MEC-CHUTE)
ASS'Y Part	**92-***** (JB92-01131A)	PBA ***** (PBA MAIN-CONTROLLER)
ASS'Y Part	**97-***** (JB97-01089A)	MEA ***** (MEA UNIT-PULLEY IDLE)

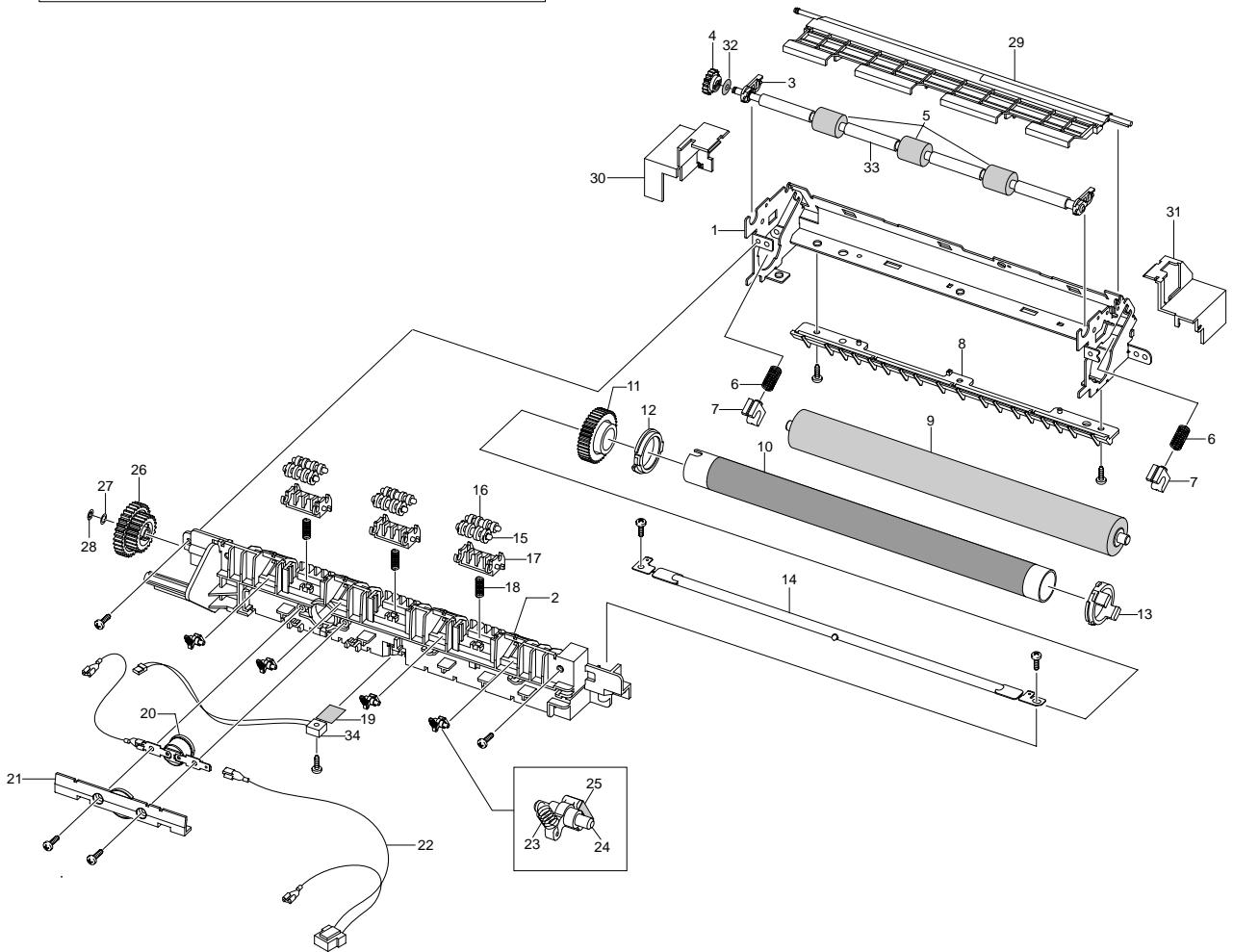
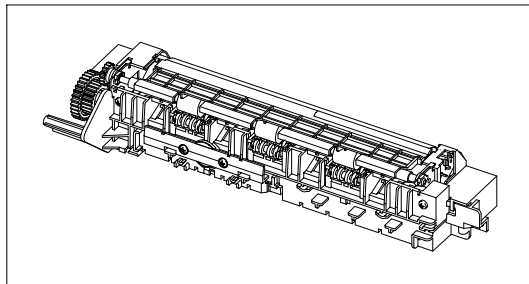
# 7.1 Main Assembly



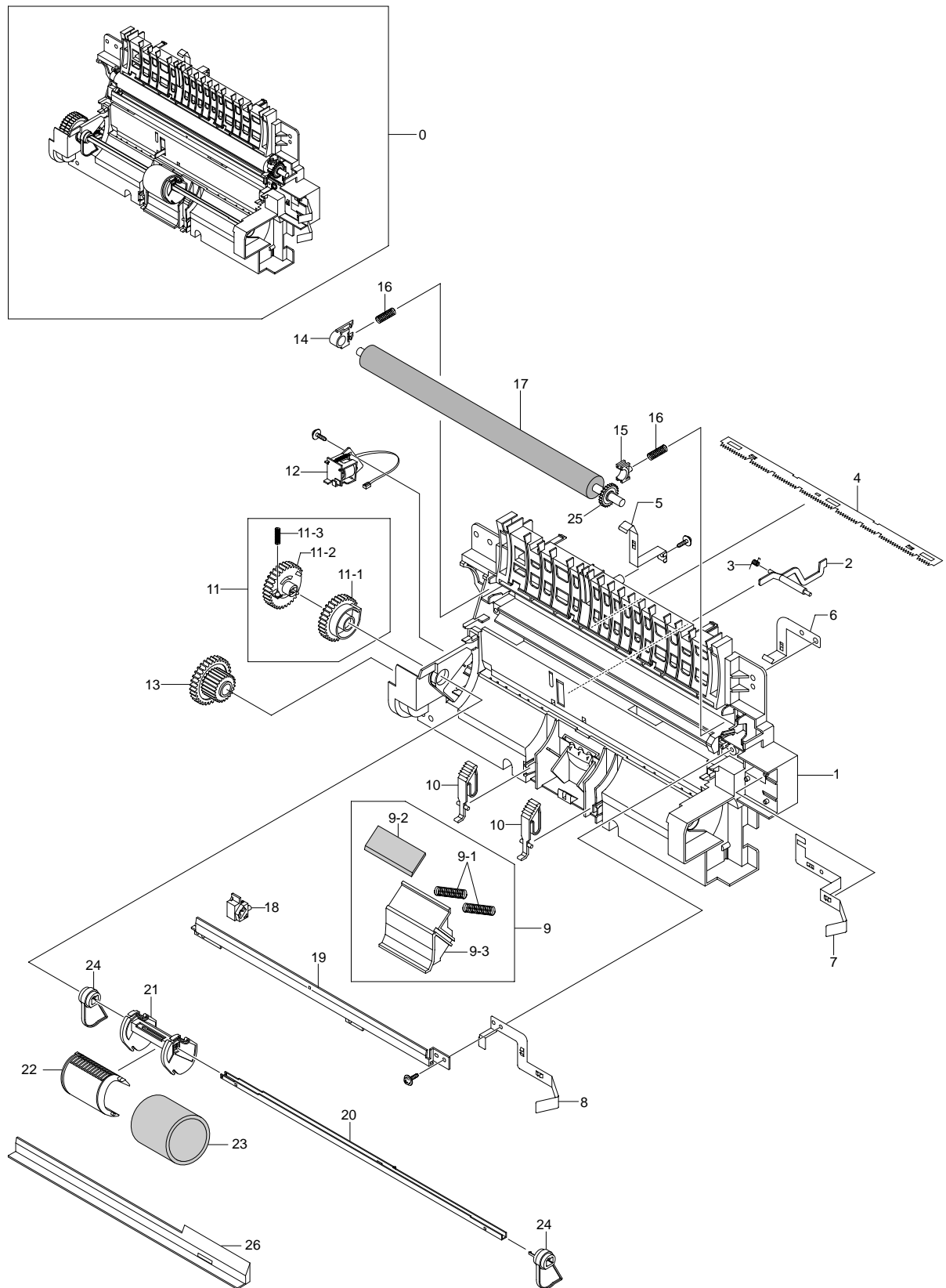
## 7.2 Frame Assembly



# 7.3 Fuser Unit



## 7.4 Paper Path Unit



## Service-BOM Parts List (Model code: ML-1610/XEU)

SA : Service Available, SNA : Service not Available

Draw# (Section-No.)	Part Code	Description	Location	SNA
7.1-7 7.3-0	JC96-03401A	ELA HOU-FUSER 220V	F4038	SA
7.3-29	JC63-00637A	COVER-M-FUSER-DUMMY	Z2194	SNA
7.3-31	JC63-00638A	COVER-M-LAMP-R	L1015	SNA
7.3-30	JC63-00639A	COVER-M-LAMP-L	L1014	SNA
7.3-11	JC66-00564A	GEAR-FUSER, Z37;ML-1710,HTN51G35HSL,0.8,	F4094	SA
7.3-9	JC66-00600A	ROLLER-PRESSURE	P6014	SA
7.3-10	JC66-00601A	ROLLER-HEAT	H2010	SA
7.3-26	JC66-00801A	GEAR-EXIT_DR38/25	E4039	SNA
7.3-4	JC66-00810A	GEAR-EXIT_DRV17	E4038	SNA
7.3-15	JC66-00824A	ROLLER-M-EXIT MAIN	R1083	SNA
7.3-33	JC66-00826A	ROLLER-EXIT F/DOWN	E4159	SA
7.3-16	JC66-00830A	ROLLER-M-EXIT FR	R1084	SNA
7.3-7	JC66-10901A	BEARING-PRESSURE/R;ML-165,PPS,5,-,14.8	P6004	SA
7.3-34	JC67-00085A	CAP-M-THERMO	H4087	SNA
	JC68-00407A	LABEL(R)-HV FUSER;ML-6060,PVC,-,220V,-	L0018	SNA
	JC68-30928D	LABEL(P)-CAUTION, HOT_FUSER	L0035	SNA
	0105-001032	PAPER-ART;75g,W210,-,WHITE,HANSO		SNA
	0205-001003	GREASE-BEARING;NYOGEL788,DAMPING		SNA
7.3-19	1404-001298	HERMISTOR-NTC;7KOHM,-,3370K,0.3MW/C,-,-	W3071	SA
7.3-14	4713-001202	LAMP-HALOGEN	K2297	SA
	6003-000196	SCREW-TAPTITE;PWH,+ ,B,M3,L10,NI		SA
	6003-000269	SCREW-TAPTITE;BH,+ ,S,M3,L6,ZPC(Y	F1017	SA
	6003-000282	SCREW-TAPTITE;BH,+ ,B,M3,L8,ZPC(BLK),SWCH		SA
7.3-27	6031-001051	WASHER-PLAIN;M4,ID4.1,OD7.0,T0.1	S2004	SNA
7.3-32	6044-000001	RING-CS;ID3,OD3,T0.25,BLACK,SUS304	D4088	SNA
7.3-18 7.3-28	6107-001163	SPRING-CS;SUS304-WPB,-,PI0.4,D3.9,L13,-,	D4086	SA
7.3-6 7.3-17	6107-001168	SPRING-CS	D4085	SNA
7.3-22	JC39-00403A	CBF HARNESS-FUSER(110V)	H1085	SA
7.3-21	JC39-00404A	CBF HARNESS-FUSER JOINT	H1089	SA
7.3-20	JC47-00005B	THERMOSTAT-150	K4279	SA
7.3-23	JC61-00064A	SPRING-CLAW;ML-5200A,SUS 304 WPB	B2031	SNA
7.3-24	JC61-00584A	HOLDER-M-PLATE CLAW;ML-1400,PET+GF30%,-,	H4031	SA
7.3-12	JC61-00589A	BUSH-M-HR L;ML-1400,PPS,-,-,-,V0	K2879	SNA
7.3-13	JC61-00590A	BUSH-M-HR R;ML-1400,PPS(RBA313N, CONDUCT	K2880	SA
7.3-8	JC61-00595A	GUIDE-M-INPUT;ML-1400,PET+GF30%,-,-,-,BL	K3960	SNA
7.3-25	JC61-00605A	PLATE-P-CLAW;ML-1400,SUS304-CSP,0.1,-,-,	H4032	SNA
7.3-1	JC61-01162A	FRAME-P-FUSER	F2122	SNA
7.3-5	JC61-01172A	HOLDER-M-EXIT F/DOWN	H4026	SNA
7.3-3	JC61-01177A	HOLDER-M-EXIT R	H4027	SA
7.3-2	JC63-00615A	COVER-M_FUSER	Z2149	SNA
	JC96-03434A	ELA HOU-ENGINE		SNA
	6003-000196	SCREW-TAPTITE;PWH,+ ,B,M3,L10,NI		SA
	6003-000261	SCREW-TAPTITE		SNA
	6003-000269	SCREW-TAPTITE;BH,+ ,S,M3,L6,ZPC(Y	F1017	SA
	6003-000301	SCREW-TAPTITE;BH,+ ,S,M4,L6,ZPC(YEL),SWRC		SNA
7.1-13	JC39-00400A	CBF HARNESS-HVPS	H1098	SA
7.1-14	JC39-00402A	CBF HARNESS-SMPS	H1247	SA
7.1-9	JC39-00406A	CBF HARNESS-LSU	L7002	SA
7.1-4	JC59-00023A	UNIT-LSU	L7012	SA

SA : Service Available, SNA : Service not Available

Draw# (Section-No.)	Part Code	Description	Location	SNA
7.1-20	JC61-01170A	PLATE-P-CHANNEL	P5151	SA
7.1-5	JC63-00621A	COVER-M-SMPS	S7009	SA
7.1-18	JC63-00631A	GROUND-P-HVPS	K3232	SNA
7.1-8	JC63-00632A	SHIELD-P-ENGINE	E2108	SNA
7.1-17	JC63-00722A	HEET-HVPS	D2132	SA
7.1-15	JC96-01672A	ELA UNIT-TERMINAL TR L	K3197	SA
7.1-15-1	JC61-00031A	SPRING ETC--HV LARGE	Z4197	SA
7.1-15-2	JC70-40912A	ICT-SHAFT HV LARGE	S4027	SA
7.1-3	JC97-02176A	MEA UNIT-COVER FRONT	Z2409	SA
7.1-3-1	JC63-00616A	COVER-M FRONT(DEVE)	Z2146	SNA
7.1-3-2	JC63-00617A	TRAY-M-CASSETTE	K3955	SNA
7.1-3-3	JC63-00628A	TRAY-M-EXTENSION LARGE	E5013	SNA
7.1-3-4	JC63-00629A	TRAY-M-EXTENSION SMALL	E5014	SNA
7.1-2	JC97-02177A	MEA UNIT-COVER MAIN	T4062	SA
	6003-000196	SCREW-TAPTITE;PWH,+ ,B,M3,L10,NI		SA
	6107-001169	SPRING-CS;SUS304-WPB,- ,PI0.5,D10.25,14.2		SA
	JC61-00049A	SPRING ETC-TR(KOR)		SNA
7.1-2-1	JC61-01155A	GUIDE-M-STACKER_RX	Z5090	SA
7.1-2-2	JC61-01156A	GUIDE-M-SUB STACKER	Z5092	SA
7.1-2-3	JC63-00618A	COVER-M_TOP	Z2168	SNA
7.1-2-4	JC63-00619A	COVER-M-MAIN	Z2198	SNA
7.1-2-5	JC63-00620A	COVER-M-JAM	D0027	SA
7.1-2-6	JC64-00184A	KEY-M-ONLINE	K0045	SNA
7.1-2-7	JC66-00816A	LEVER-M-ACTUATOR JAM	A1013	SA
7.1-2-8	JC67-00079A	LENS-M_LED	W3274	SNA
	JC99-01614A	INA-MATERIAL(A4);ML-1710,SAMSUNG,- ,MATER		SNA
	0105-000107	PAPER-ART;- ,W210,- ,3M,L297		SNA
	0105-001032	PAPER-ART;75g,W210,- ,WHITE,HANSO		SNA
	0205-001056	GREASE-GRAPHITE;CRS841,WHT,-		SNA
	JC99-01861C	PAA WOOD-LABEL(XEU)		SNA
	JB68-00916A	LABEL RATING-BLANK,SF-340,SEC,MAT,0.025,		SNA
	JB75-10029A	MEC-RIBBON		SNA
	JC68-00886A	LABEL(P)-REORDER(UK)		SNA
	JC68-10932B	LABEL(P)-BLANK(YELLOW);ML-1710,- ,ART,100		SNA
	JF68-10532B	LABEL(P)-BAR CODE		SNA
	JC99-01862A	PAA-PACKING(SKYLARK)		SNA
	0203-000007	TAPE-FILAMENT;3M,T0.15,W18,L55M,		SNA
	0203-001100	TAPE-OPP MASKING;OPP/W75/CLR,T0.		SNA
	6902-000437	BAG PE;HDPE,T0.015,W900,L800,TRP,8,4PE M		SNA
	JC69-00739A	CUSHION-EPS SET(SKYL)		SNA
	JC69-00825A	BOX(P)-POWER PAD		SNA
	JC99-01863C	INA-ACESSORY(SL_XEU)		SNA
	6902-000288	BAG PE;LDPE,T0.05,W250,L450,TRP,8,2-		SNA
	JC46-00249A	S/W APPLICATION-DRV		SNA
	JC68-00421A	manual-(card)LBP SVC CARD;ML-6100,SEUK,		SNA
	JC68-00690A	MAN(CARD)-WARRANTY CARD		SNA
	JF68-10532B	LABEL(P)-BAR CODE		SNA
7.1-19	3903-000067	CBF-POWER CORD;DT,GB,GP3/YES(A),I(IEC C1	K2903	SA
	6801-001014	CARD REGISTRATION;XEU,ENG,MOJO100,L150,W		SNA
7.1-16	JC44-00079A	HVPS-SKYLARK	S7027	SA
7.1-10	JC44-00081A	SMPS-(V2C)	S7050	SA
	JC68-01495A	MANUAL-QIG		SNA
	JC69-00738B	BOX(P)-MAIN(ML_1610)		SNA
7.1-11	JC92-01640A	PBA MAIN-USB_ONLY	Z1024	SA
	0105-001032	PAPER-ART;75g,W210,- ,WHITE,HANSO		SNA



SA : Service Available, SNA : Service not Available

Draw# (Section-No.)	Part Code	Description	Location	SNA
	0202-000008	SOLDER-WIRE;HI-FLO,3.0,-,D3.0,63SN/37PB,		SNA
	0202-000137	SOLDER-WIRE FLUX;KR-19 RMA SF,-,D0.7,60S		SNA
	0202-001025	SOLDER-WIRE FLUX;KS-611,-,-,spray		SNA
	0203-001235	TAPE-PAPER;YW-692,T0.15,W5.8,L4000M,-		SNA
	0203-001236	TAPE-PAPER;YW-4620,T0.12,W6.2,L4000M,-		SNA
	0204-000469	THINNER;#4662,-,0.795,-		SNA
	0402-000129	DIODE-RECTIFIER;1N4003,200V,1A,D		SA
	2005-000168	R-WIRE WOUND,NON;0.22ohm,5%,2W,AA,BK,4x1		DNA
	2401-000042	C-AL,100uF,20%,16V,GP,TP,6.3x7,5		SA
	2401-001185	C-AL;33uF,20%,35V,GP,TP,5x11,5		SNA
	2801-003886	CRYSTAL-UNIT;12MHz,50ppm,28-AAA,16pF,50o		SNA
	3711-002001	CONNECTOR-HEADER		SA
	3711-002810	CONNECTOR-HEADER;BOX,9P,1R,2mm,STRAIGHT,		SNA
	3711-002812	CONNECTOR-HEADER;BOX,11P,1R,2mm,STRAIGHT		SNA
	3711-003410	CONNECTOR-HEADER;BOX,4P,1R,2mm,STRAIGHT,		SNA
	3711-003942	CONNECTOR-HEADER;BOX,2P,1R,2mm,STRAIGHT,		SA
	3711-003969	CONNECTOR-HEADER;BOX,2P,1R,2.5mm,STRAIGH		SNA
	3722-001101	JACK-USB;4P/2C,8.38mm,AU,IVR,#22		DNA
	JB68-00072A	LABEL(R)-BAR RIBON;SF-3000,PY,80X91000,T		SNA
	JB68-00073A	LABEL(R)-BAR CODE;SF-3000,PY,38X		SNA
	JC68-000573A	LABEL(R)-BARCODE;ML-4500,PET,T0.		SNA
	JC94-00812A	PHANTOM AU JC92-01640A		SNA
	0201-001235	ADHESIVE-TS;DEH-390D,RED,400,-		SNA
	0202-000108	SOLDER-CREAM;RMA-20-21L,-,20~38 ##,62.8S		SNA
	0401-000116	DIODE-SWITCHING;MMSD914T1,100V,200mA,SOD		SNA
	0407-000122	DIODE-ARRAY;KDS226,80V,300mA,C2-3,SOT-23		SA
	0501-000279	TR-SMALL SIGNAL;KSA1182-Y,PNP,150mW,SOT-		SA
	0501-000457	TR-SMALL SIGNAL;MMBT2222A,NPN,22		SA
	0801-000794	IC-CMOS LOGIC;7S08,AND GATE,SOT-25,5P,63		SA
	0801-002446	IC-CMOS LOGIC;74LCX14,SCHMITT INVERTER,T		SNA
	1003-001535	IC-MOTOR DRIVER;A3977SLP,TSSOP,28P,9.6X4		SNA
	1103-000152	IC-EEPROM		DNA
	1105-001264	IC-DRAM;K4S161622,2X512KX16BIT,TSOP,50P,		SA
	1202-000164	IC-VOLTAGE COMP.;393,SOP,8P,150MIL,DUAL,		SA
	1203-001455	IC-POSI.FIXED REG.;1117,DPAK,3P,		SA
	1203-002220	IC-POSI.ADJUST REG.;LD1117,DPAK,3P,240MI		SA
	1203-002233	IC-RESET;XC61F,SOT-23,3P,-,PLASTIC,0.7/1		SNA
	1205-002339	IC-CLOCK GENERATOR;CY25811SC,SOIC,8P,150		SA
	2007-000067	R-CHIP;15Kohm,1%,1/16W,DA,TP,1608		SA
	2007-000070	R-CHIP;0ohm,5%,1/10W,TP,1608		SA
	2007-000074	R-CHIP;100ohm,5%,1/16W,DA,TP,160		SA
	2007-000076	R-CHIP;330ohm,5%,1/16W,DA,TP,1608		SA
	2007-000078	R-CHIP;1Kohm,5%,1/16W,DA,TP,1608		SA
	2007-000083	350HIP;3Kohm,5%,1/16W,DA,TP,1608		SA
	2007-000090	R-CHIP;10Kohm,5%,1/16W,DA,TP,160		SA
	2007-000091	R-CHIP;12Kohm,5%,1/16W,DA,TP,160		SA
	2007-000094	R-CHIP;22Kohm,5%,1/16W,DA,TP,160		SA
	2007-000096	R-CHIP;30Kohm,5%,1/16W,DA,TP,1608		SA
	2007-000107	R-CHIP;470Kohm,5%,1/16W,DA,TP,16		SA
	2007-000113	R-CHIP;33ohm,5%,1/16W,DA,TP,1608		SA
	2007-000116	R-CHIP;120ohm,5%,1/16W,DA,TP,1608		SA
	2007-000123	R-CHIP;1.5Kohm,5%,1/16W,DA,TP,16		SA
	2007-000134	R-CHIP;33Kohm,5%,1/16W,DA,TP,160		SA
	2007-000402	R-CHIP;150ohm,5%,1/16W,DA,TP,160		SA
	2007-000965	R-CHIP;5.1Kohm,5%,1/16W,DA,TP,16		SA

SA : Service Available, SNA : Service not Available

Draw# (Section-No.)	Part Code	Description	Location	SNA
	2007-001002	R-CHIP;510ohm,5%,1/10W,TP,1608		SA
	2007-001044	R-CHIP;56ohm,5%,1/16W,DA,TP,1608		SNA
	2007-001139	R-CHIP		SNA
	2007-008567	R-CHIP		SNA
	2011-001011	R-NETWORK;10Kohm,5%,63mW,L,CHIP,8P,TP		SNA
	2203-000189	C-CER,CHIP;100nF,+80-20%,25V,Y5V,TP,1608		SA
	2203-000236	C-CERAMIC,CHIP;0.1nF,5%,50V,NP0,		SA
	2203-000257	C-CERAMIC,CHIP;10nF,10%,50V,X7R,		SA
	2203-000384	C-CERAMIC,CHIP;0.015nF,5%,50V,NP0,TP,160		SA
	2203-000440	C-CERAMIC,CHIP;1nF,10%,50V,X7R,T		SA
	2203-000626	C-CERAMIC,CHIP;0.022nF,5%,50V,NP		SA
	2203-000681	C-CERAMIC,CHIP;0.027nF,5%,50V,NP0,TP,160		SA
	2203-000783	C-CERAMIC,CHIP;0.33NF,5%,50V,C0G,TP,1608		SA
	2203-000815	C-CERAMIC,CHIP;0.033nF,5%,50V,NP		SA
	2203-001408	C-CERAMIC,CHIP;0.27nF,5%,50V,NP0,TP,1608		SA
	2203-001607	C-CERAMIC,CHIP;0.22nF,5%,50V,NP0		SA
	2203-001683	C-CERAMIC,CHIP;0.068nF,5%,50V,NP0,TP,160		SA
	2203-002392	C-CERAMIC,CHIP;220nF,+80-20%,50V		SA
	2203-002398	C-CERAMIC,CHIP;22nF,10%,50V,X7R,TP,1608		SA
	2203-005249	C-CER,CHIP;100nF,10%,50V,X7R,TP,1608,-		SNA
	2203-005819	C-CER,CHIP;1000NF,+80-20%,16V,Y5V,TP,160		SNA
	3301-001425	CORE-FERRITE BEAD;AB,120ohm,3.2x1.6x1.1m		SNA
	JC13-00027A	IC ASIC-JUPITER4E;S4FD004X,ML-1520,160P,		SA
	JC41-00258A	PCB-MAIN		SNA
7.1-1	JC96-03349A	ELA UNIT-FRAME_LOWER	F2090	SA
7.2-0	0201-001183	ADHESIVE-AA;ARON ALPHA #202F,NTR,100,20G		SNA
	0203-000007	TAPE-FILAMENT;3M,T0.15,W18,L55M,		SNA
	0205-000005	GREASE-BEARING;EP56,-,-		SNA
	0205-001003	GREASE-BEARING;NYOGEL788,DAMPING		SNA
	0205-001056	GREASE-GRAPHITE;CRS841,WHT,-		SNA
	0205-001067	GREASE-GRAPHITE;NYOGEL 756G,HYDR		SNA
	6002-000440	SCREW-TAPPING		SA
	6003-000196	SCREW-TAPTITE;PWH,+,B,M3,L10,NI		SA
7.2-18	6107-001240	SPRING-CS	D4084	SNA
7.2-16	JB61-00076A	SPRING ETC-TORSION DOC (CC2-F);SCX-1110F	Z4274	SA
7.1-12	JC39-00405A	CBF HARNESS-MOTOR	M2053	SA
7.2-10	JC61-00836A	FOOT-FRONT;ML-1750,NBR,D7,-,12,-,-	F1011	SA
7.2-1	JC61-01152A	FRAME-M-BASE	B0080	SNA
7.2-3	JC61-01258A	SPRING ETC-TORSION DEVE_L	Z4271	SA
7.2-4	JC61-01259A	SPRING ETC-TORSION DEVE_R	Z4272	SA
7.2-17	JC63-00622A	GROUND-P-OPC	D4053	SA
7.2-11	JC66-00805A	GEAR-RDCN 113/83	G0381	SA
7.2-12	JC66-00806A	GEAR-OPC DR 76/38/29	D4047	SA
7.2-13	JC66-00807A	GEAR-FUSER DR 63/35	F4086	SA
7.2-14	JC66-00808A	GEAR-FEED DR 41	F6076	SA
7.2-15	JC66-00822A	LEVER-M-ACTUATOR_EMPTY	K3816	SA
7.2-19	JC67-00110A	CAP-M-MOTOR	A0003	SNA
7.2-8	JC70-00499A	ADJUST-M-CASSETTE_L	K2014	SA
7.2-7	JC70-00500A	ADJUST-M-CASSETTE_R	K2015	SA
7.2-5	JC96-03518A	ELA UNIT-RX DRIVE	D4030	SA
	6001-000130	SCREW-MACHINE		SA
	6003-000269	SCREW-TAPTITE;BH,+,S,M3,L6,ZPC(Y	F1017	SA
7.2-5-4	JC31-00020D	MOTOR BLOWER-STEP 7.5	P2119	SA
7.2-5-1	JC61-01153A	BRACKET-P-GEAR	B4025	SNA

SA : Service Available, SNA : Service not Available

Draw# (Section-No.)	Part Code	Description	Location	SNA
7.2-5-2	JC61-01154A	BRACKET-P-MOTOR	M2048	SNA
7.2-5-3	JC66-00804A	GEAR-RDCN 139/83	G0383	SA
7.2-5-5	JC72-00825A	PMO-IMPELLER_DRV	K4023	SNA
7.2-6 7.4-0	JC97-02175A	MEA UNIT-FRAME PAPER PATH	B0101	SA
	6003-000196	SCREW-TAPTITE;PWH,+ ,B,M3,L10,NI		SA
7.4-3	JB61-00107A	OPRING ETC-LEVER SENSOR;SF-430,SUS304,0.	Z4209	SA
7.4-12	JC33-00015B	SOLENOID-MP_R2;- ,SCX-4720F,DC24V,-,-,-,-	S8014	SA
7.4-18	JC61-00583A	HOLDER-PTL;ML-1400,ABS,-,-,-,BLK,-	H4041	SA
7.4-14	JC61-00588A	BUSH-M-TR L;ML-1400,POM(M90-44),-,-,-,BL	K2886	SA
7.4-21	JC61-01151A	HOUSING-M-PICK_U	P2067	SNA
7.4-1	JC61-01161A	GUIDE-M-PAPER PATH	G2069	SA
7.4-22	JC61-01173A	HOUSING-M-PICK_UP B	P2068	SNA
7.4-16	JC61-70940A	SPRING ETC-TR(12)	Z4277	DNA
7.4-7	JC63-00623A	GROUND-P-THV	W3078	SNA
7.4-6	JC63-00624A	GROUND-P-ZENER	W3077	SNA
7.4-5	JC63-00625A	GROUND-P-VARISTOR	W3076	SNA
7.4-8	JC63-00626A	GROUND-P-SAW	W3079	SNA
7.4-17	JC66-00725A	ROLLER-TRANSFER;SCX-4100,NBR FOAM,φ15,2	T3014	SA
7.4-13	JC66-00809A	GEAR-FEED 35/19	F6071	SA
7.4-24	JC66-00811A	CAM-M-PICK_UP	P2042	SA
7.4-25	JC66-00813A	GEAR-TRANSFER	G0448	SA
7.4-2	JC66-00814A	LEVER-ACTUATOR FEED SENSOR	E7006	SA
7.4-10	JC66-00815A	LEVER-M-KICKER P/U	R1120	SNA
7.4-20	JC66-00829A	SHAFT-P-PICK_UP	P2160	SA
7.4-19	JC70-00307A	IPR-P-EARTH TRANSFER;ML-1400,SECC,-,1.0T	K3367	SA
7.4-4	JC70-10232A	IPR-PLATE SAW	K3377	SA
7.4-15	JC72-00102A	PMO-BUSHING_TR(L);SF-5100,POM ,B	K3856	SA
7.4-23	JC73-00211A	RUBBER-PICK_UP	P2148	SA
7.4-11	JC97-02179A	MEA UNIT-PICK UP GEAR	P2093	SA
7.4-11-3	6107-001167	SPRING-CS	D4089	SA
7.4-11-2	JC66-00802A	GEAR-PICK_UP A	P2057	SA
	JC66-00803A	GEAR-PICK_UP B	P2056	SA
7.4-9	JC97-02217A	MEA UNIT-HOLDER_PAD	P0015	SA
7.4-9-3	JC61-01169A	HOLDER-M-PAD	H4029	SA
7.4-9-1	JC61-70911A	SPRING ETC-EXIT ROLL FD;ML-165,SUS304 WP	Z4137	SA
7.4-9-2	JC69-00846A	PAD-FRICTION	R1049	SNA
7.2-2	JC97-02218A	MEA UNIT-PLATE KNOCK_UP	K3602	SA
7.2-2-1	JC61-01158A	PLATE-M-KNOCK_UP	K5002	SA
7.2-2-2	JC66-00720A	SHAFT-P-CORE;ML-1750,SECC 1.6T,220,-,-,-	P2158	SNA
7.2-2-3	JC72-01004A	PMO-IDLE KNOCK UP MP	K5006	SA
7.2-2-4	JC74-00011A	MPR-PAD KNOCK UP MP	K5007	SNA
7.2-9	JG66-40003A	GEAR-PINION;SF4000,POM,WHT,M1,Z1	G0369	SA
7.1-6	JC96-03352B	ELA UNIT-DEVE INITIAL	T2060	SNA
	0105-001032	PAPER-ART;75g,W210,-,WHITE,HANSO		SNA
	0203-001189	TAPE-ACETATE;#810,T0.05,W12,L65000,NTR		SNA
	6902-000455	BAG CONDUCTIVE		SA
	JC68-00274A	LABEL(R)-RIBBON;SF-5100,100,-,-,		SNA
	JC68-01493A	MANUAL-CARD PROTECTION		SNA
	JC68-10914D	LABEL(P)-SERIAL NO;ML-85,ART,70X		SNA
	JC96-03354A	ELA UNIT-DEV KIT 1K		SNA
	0201-001183	ADHESIVE-AA;ARON ALPHA #202F,NTR,100,20G		SNA
	0205-001059	GREASE-BEARING;PETAMO GHV 133,BE		SNA
	0205-001067	GREASE-GRAPHITE;NYOGEL 756G,HYDR		SNA
	0205-001088	GREASE-BEARING;HANARL FL-955,NOISE DAMPI		SNA

SA : Service Available, SNA : Service not Available

Draw# (Section-No.)	Part Code	Description	Location	SNA
	6003-000282	SCREW-TAPTITE;BH,+,B,M3,L8,ZPC(BLK),SWCH		SA
	JC02-00043A	TONER-GRINDED		SNA
7.2-20	JC61-00025A	SPRING-CS-CHARGE APOLLO;SF-5100,	B2030	SNA
	JC61-00060A	SPRING ETC-TS BLADE		SNA
	JC62-00145A	SEAL-SUPPLY		SNA
	JC62-00149A	SEAL-CAP DEVE		SNA
	JC62-00150A	SEAL-SUS BLADE		SNA
	JC62-00151A	SEAL-DEVE L		SNA
	JC62-00152A	SEAL-DEVE R		SNA
	JC62-00165A	SEAL-FILM REAR		SNA
	JC66-00817A	GEAR-AGITATOR		SNA
	JC66-00818A	GEAR-RDCN		SNA
	JC66-00819A	GEAR-SUPPLY		SNA
	JC66-00820A	GEAR-DEVE		SNA
	JC66-00825A	ROLLER-SUPPLY		SNA
	JC66-00827A	SHAFT-RDCN		SNA
	JC66-00828A	ROLLER-CHARGE		SNA
	JC66-00851A	ROLLER-DEVE		SNA
	JC67-00080A	CAP-M-SPACER_R		SNA
	JC70-00153A	IPR-ELECTRODE CHARGE;ML-4500,SUS		SNA
	JC72-00083A	PMO-HOLDER CR L;SF-5100,POM(C20)		SNA
	JC72-01349A	PPR-SPACER SR_L		SNA
	JC72-40232A	PMO-CAP AGITATOR;ML-80,PP,BLK,-,		SNA
	JC72-40332A	PMO-BUSHING_CHARGE;ML-80,POM,BLK		SNA
	JC73-10017A	RPR-SEAL_BLOCK;ML-80,URETHANE_FOAM,T3,BL		SNA
	JC97-02152A	MEA UNIT-WTB		SNA
	JC61-01184A	FRAME-M_WTB INITIAL		SNA
	JC62-00153A	SEAL-BRKT CLEANING		SNA
	JC62-00154A	SEAL-OPC CLEAN_L		SNA
	JC62-00155A	SEAL-OPC CLEAN_R		SNA
	JC67-00083A	CAP-M-WTB		SNA
	JC72-01350A	PPR-FILM OPC		SNA
	JC73-10017A	RPR-SEAL_BLOCK;ML-80,URETHANE_FOAM,T3,BL		SNA
	JC97-02181A	MEA ETC-BLADE CLEANING		SNA
	JC61-01165A	BRACKET-P-CLEANING		SNA
	JC73-00201A	REX-BLADE CLEANING		SNA
	JC97-02153A	MEA UNIT-OPC		SNA
	0201-001162	ADHESIVE-CYA;LOCTITE403,NTR,1250		SNA
	JC66-00821A	GEAR-OPC_L		SNA
	JC66-00823A	DRUM-OPC		SNA
	JC75-00043A	MEC-GEAR OPC R;SF-5100,SEC,POM+C		SNA
	JC66-00012A	GEAR-OPC R;SF-5100,POM(M90-44),B		SNA
	JC71-00002A	NPR-EARTH OPC APOLLO;SF-5100,C52		SNA
	JC97-02182A	MEA ETC-SUS BLADE		SNA
	JC61-01166A	BRACKET-P-SUS BLADE		SNA
	JC70-00502A	IPR-SUS BLADE		SNA
	JC97-02183A	MEA UNIT-FRAME INT		SNA
	JC61-01163A	FRAME-M-DEVE LOWER		SNA
	JC62-00139A	SEAL-SUS BLADE R2		SNA
	JC62-00146A	SEAL-SUPPORT L		SNA
	JC62-00147A	SEAL-SUPPORT R		SNA
	JC62-00148A	SEAL-CAP SIDE		SNA
	JC62-00156A	SEAL-BOSS_R		SNA
	JC64-00185A	HANDLE-M-DEVE		SNA
	JC67-00081A	CAP-M-HOUSING INITIAL		SNA

SA : Service Available, SNA : Service not Available

Draw# (Section-No.)	Part Code	Description	Location	SNA
	JC75-00044A	MEC-BUSHING AGI L;SF-5100,SEC,PO		SNA
	JC72-00081A	PMO-BUSHING AGI L;SF-5100,POM,WH		SNA
	JC73-40906A	RMO-SEAL AGITATOR;MLE-5000,SANTO		SNA
	JC97-01900B	MEA UNIT-AGITATOR_B		SNA
	JC72-01317A	PPR-FILM AGITATOR SUB		SNA
	JC72-01329A	PMO-AGITATOR_DOUBLE		SNA
	JC72-10924A	PPR-FILM AGITATOR;MLE-5000,PET T		SNA
	JC97-02208A	MEA-PLATE DEVE L		SNA
	JC61-01167A	PLATE-M-DEVE L		SNA
	JC72-41105A	PMO-BUSHING DEV;MLE-5000,POM,NTR,-,-		SNA
	JC97-02209A	MEA-PLATE DEVE R		SNA
	JC61-01168A	PLATE-M-DEVE R		SNA
	JC70-00483A	ELECTRODE-P_SR(M);		SNA
	JC70-00501A	ELECTRODE-P-DEVE KEY		SNA
	JC71-00009A	NPM-BUSHING DEV R		SNA
	JC72-41105A	PMO-BUSHING DEV;MLE-5000,POM,NTR,-,-		SNA