

Parts Catalog - **ML-1910/1915**
ML-2525/2525W/2580N



- | | | |
|--|---|---|
| <p>1. Speed</p> <ul style="list-style-type: none"> • ML- 2525/2525W/2580N : 24 ppm in A4 • ML- 1910/1915 : 18 ppm in A4 <p>2. Processor</p> <ul style="list-style-type: none"> • Jupiter4e 150 Mhz • Chorus3 360 Mhz (Only 2525W, 2580N) | <p>3. Printer Language Emulations</p> <ul style="list-style-type: none"> • SPL, PCL6 (Only 2580N) <p>4. Memory</p> <ul style="list-style-type: none"> • 8 MB • 64 MB (Only 2525W, 2580N) | <p>5. Interfaces</p> <ul style="list-style-type: none"> • One USB port • One 10/100 BaseT network connector (2580N) • One IEEE 802.11 b/g wireless LAN (2525W) <p>6. Toner cartridge</p> <ul style="list-style-type: none"> • Initial : 0.7K (1910/ 1915) 1K (2525/2525W/2580N) • Sales : 1.5K / 2.5K two types |
|--|---|---|

**This Parts Catalog is a property of Samsung Electronics Co.,Ltd.
Any unauthorized use of this manual can be punished under
applicable International and/or domestic law.**


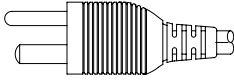
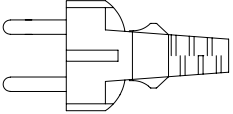
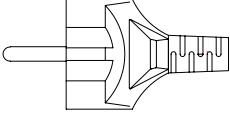
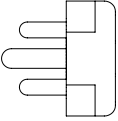
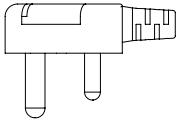
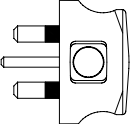
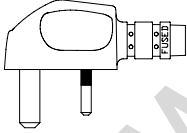
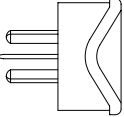
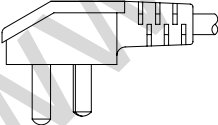
ExplodedView and Parts List

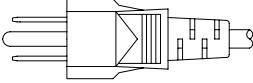
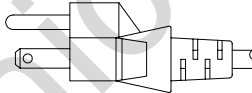
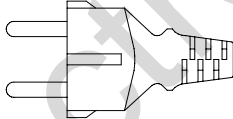
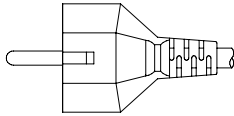
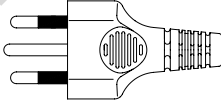
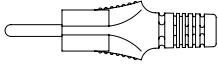
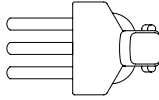
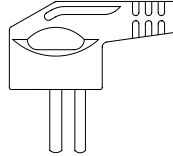
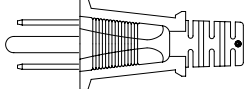
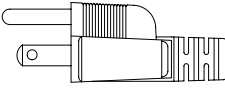
Contents

| | |
|--|----|
| Power Cord | 2 |
| Thumbnail | 3 |
| 1. Main | 4 |
| 2. Top Cover..... | 6 |
| 3. Cover | 8 |
| 4. Front Cover | 10 |
| 5. Rear Cover | 12 |
| 6. Main Frame | 14 |
| 7. Main Drive Bracket (ML-1910) | 18 |
| 8. Main Drive Bracket (ML-2580N) | 20 |
| 9. Base Frame-Pick Up | 22 |
| 10. Fuser | 24 |
| 11. Cassette | 26 |

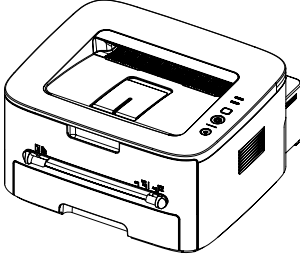
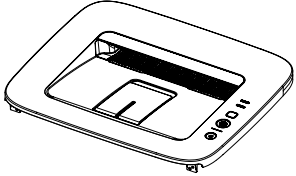
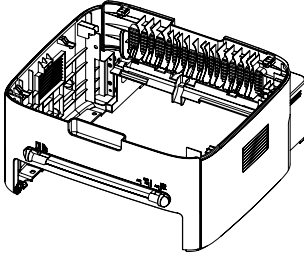
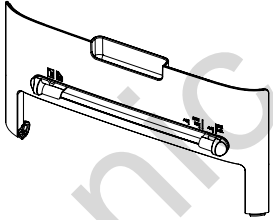
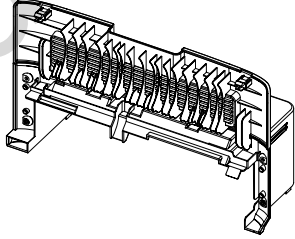
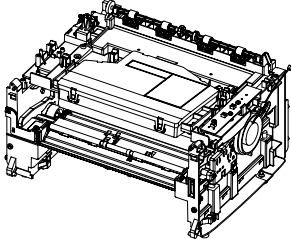
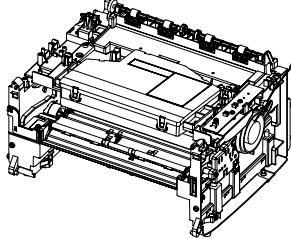
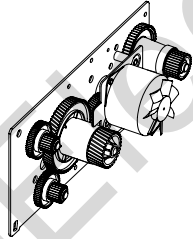
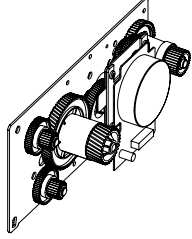
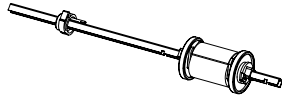
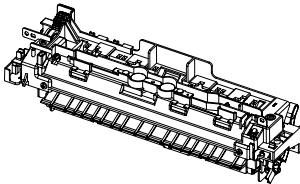
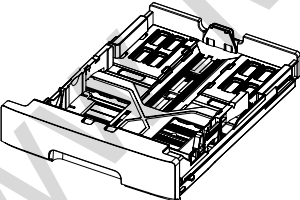
Power Cord

Power Cord differs by countries. Please check your country code.

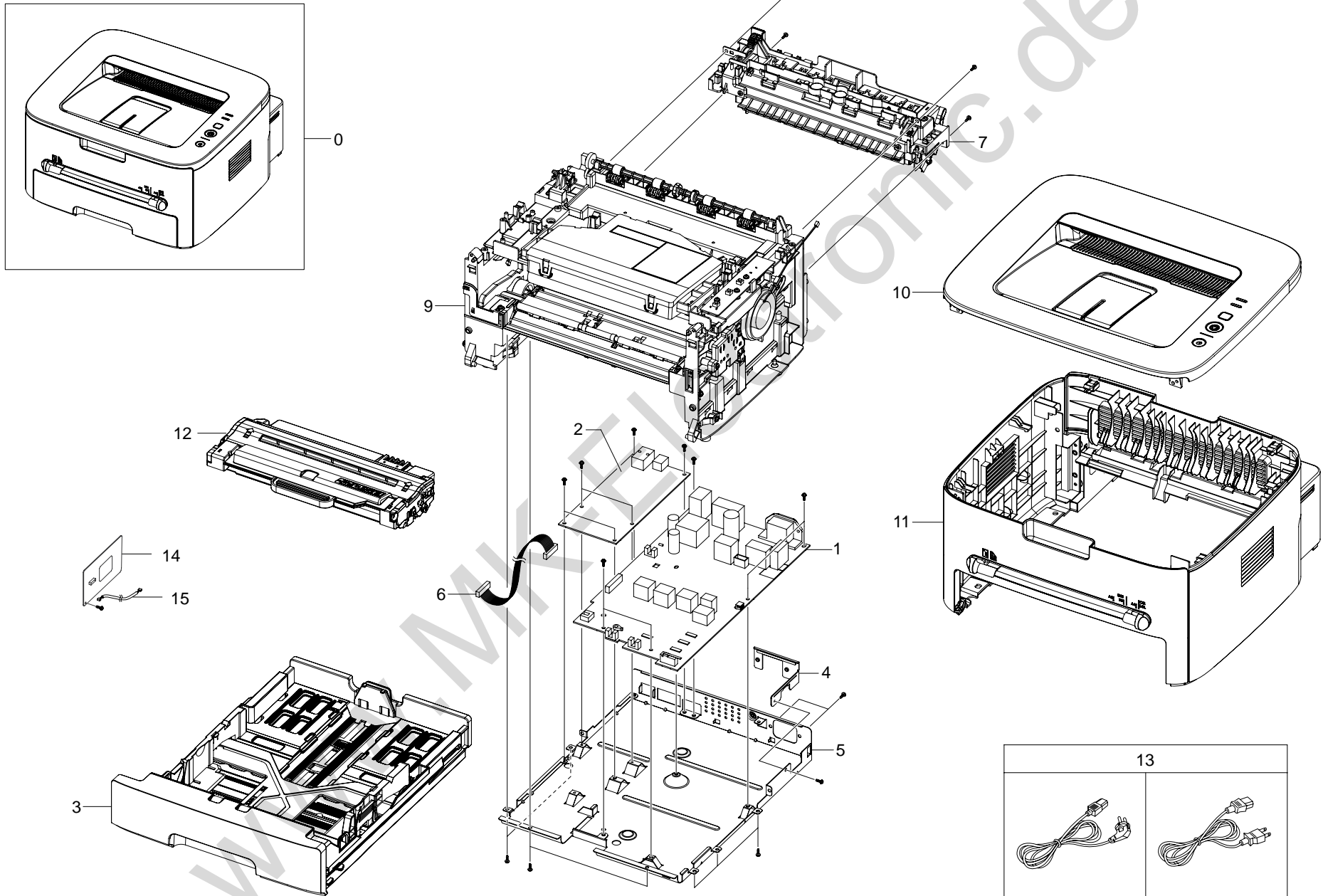
| Top View | Side View | Part Code |
|---|---|--|
| | | Usable Country Code |
|  |  | 3903-000020 |
| | | XAZ |
|  |  | 3903-000042 |
| | | SEE / STS / XSA / XSG XSS / XEV / XEG |
|  |  | 3903-000050 |
| | | XFA / XIP |
|  |  | 3903-000067 |
| | | XEU / XSS |
|  |  | 3903-000082 |
| | | XIL |

| Top View | Side View | Part Code |
|---|---|---------------------|
| | | Usable Country Code |
|  |  | 3903-000085 |
| | | XAA / XAX |
|  |  | 3903-000133 |
| | | KOR |
|  |  | 3903-000146 |
| | | XBH |
|  |  | 3903-000182 |
| | | ETS |
|  |  | 3903-000227 |
| | | TED |

Thumbnail

| | | | | |
|---|---|--|---|---|
|  |  |  |  |  |
| <p>1. MAIN</p> | <p>2. COVER TOP</p> | <p>3. COVER</p> | <p>4. COVER FRONT</p> | <p>5. COVER REAR</p> |
|  |  |  <p>ML-1910</p> |  <p>ML-2580N</p> |  |
| <p>6. FRAME MAIN1</p> | <p>7. FRAME MAIN2</p> | <p>8. DRIVE MAIN-BRACKET</p> | <p>9. DRIVE MAIN-BRACKET</p> | <p>10. FRAME BASE-PICK UP</p> |
|  |  | | | |
| <p>11. FUSER</p> | <p>12. CASSETTE</p> | | | |

1. Main



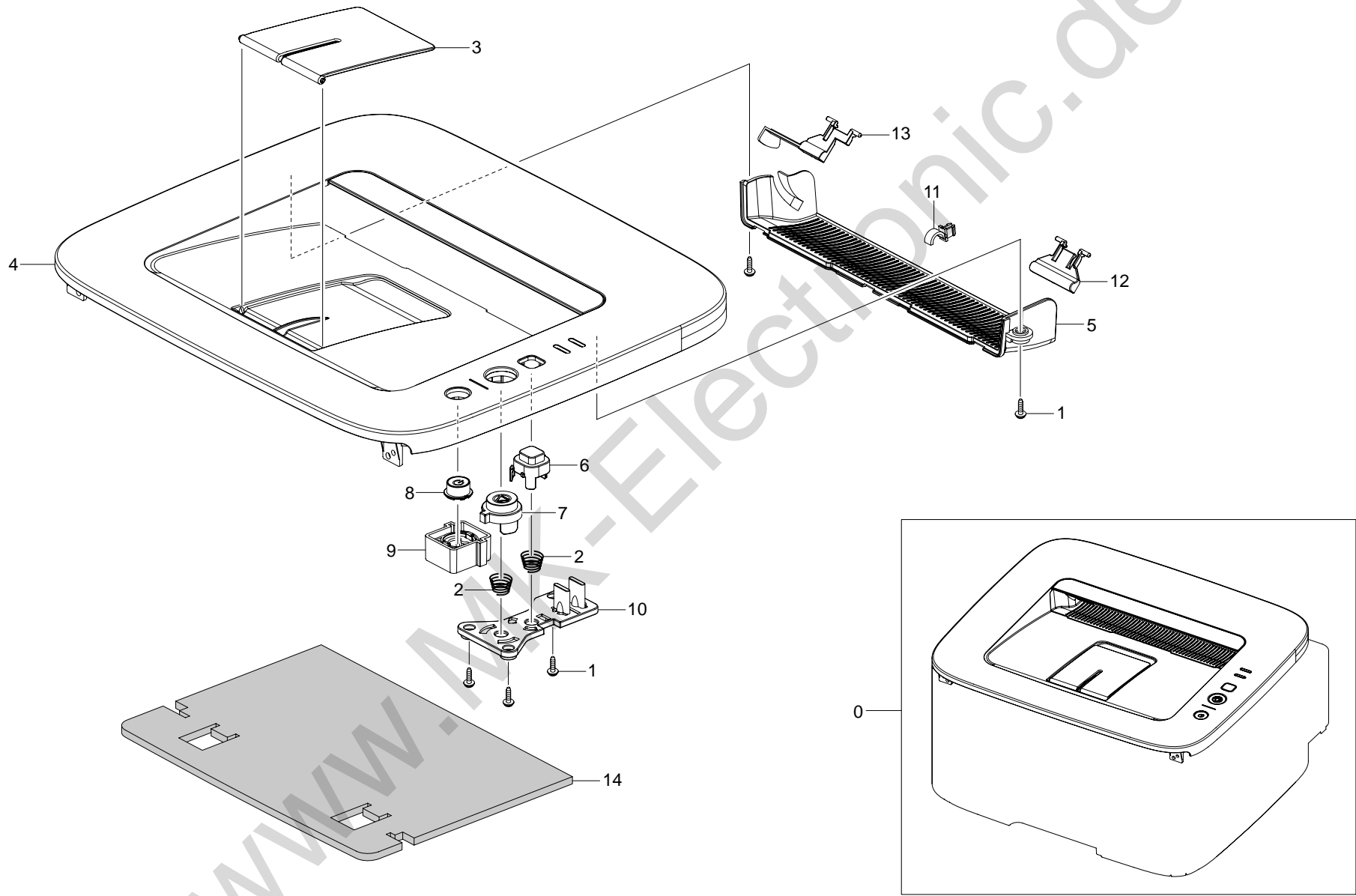
Main Parts List

SA : SERVICE AVAILABLE, SNA : SERVICE not AVAILABLE

| Drawer# | SEC_Code | Description | QT'y | Service | Remark |
|---------|-------------|--|------|---------|-----------------|
| 0 | ML-1910 | A4 Mono laser printer, 18 ppm | 1 | | |
| 0 | ML-1915 | A4 Mono laser printer, 18 ppm | | | |
| 0 | ML-2525 | A4 Mono laser printer, 24 ppm | 1 | | |
| 0 | ML-2525W | A4 Mono laser printer, 24 ppm | 1 | | |
| 0 | ML-2580N | A4 Mono laser printer, 24 ppm, Network | 1 | | |
| 1 | JC44-00178A | SMPS/HVPS-V1 | 1 | SA | 110V |
| 1 | JC44-00179A | SMPS/HVPS-V2 | 1 | SA | 220V |
| 2 | JC92-02135A | PBA-CONTROLLER | 1 | SA | ML-2580N/Others |
| 2 | JC92-02135B | PBA-CONTROLLER | 1 | SA | ML-2580N/SEE |
| 2 | JC92-02135C | PBA-MAIN | 1 | SA | ML-2580N/XEV |
| 2 | JC92-02135D | PBA-MAIN | 1 | SA | ML-2581N/XIL |
| 2 | JC92-02135E | PBA-MAIN | 1 | SA | ML-2580NK |
| 2 | JC92-02135F | PBA-MAIN | 1 | SA | ML-2580N/ETS |
| 2 | JC92-02136A | PBA-CONTROLLER | 1 | SA | ML-191x/Others |
| 2 | JC92-02136B | PBA-CONTROLLER | 1 | SA | ML-191x/SEE |
| 2 | JC92-02136C | PBA-MAIN | 1 | SA | ML-1910K/1915K |
| 2 | JC92-02136D | PBA-MAIN | 1 | SA | ML-1911/XIL |
| 2 | JC92-02137A | PBA-CONTROLLER | 1 | SA | ML-2525/Others |
| 2 | JC92-02137B | PBA-CONTROLLER | 1 | SA | ML-2525/SEE |
| 2 | JC92-02137C | PBA-MAIN | 1 | SA | ML-2525K |
| 2 | JC92-02137D | PBA-MAIN | 1 | SA | ML-2526/XIL |
| 2 | JC92-02248A | PBA-MAIN | 1 | SA | ML-2525W/Others |
| 2 | JC92-02248B | PBA-MAIN | 1 | SA | ML-2525W/SEE |
| 3 | JC90-00939A | CASSETTE | 1 | SA | ML-1915/2525 |

| Drawer# | SEC_Code | Description | QT'y | Service | Remark |
|---------|-------------|--------------------|------|---------|--------------------------|
| 3 | JC90-00939B | CASSETTE | 1 | SA | ML-1910/2580N |
| 4 | JC61-00601A | BRACKET-P-INLET | 1 | SA | |
| 5 | JC63-02410A | SHIELD-ENGINE | 1 | SNA | |
| 6 | JC39-01235A | HARNESS-ENGINE | 1 | SA | ML-1910 |
| 6 | JC39-00240A | CBF HARNESS-ENGINE | 1 | SC | ML-2525/2580N |
| 7 | JC91-00946A | FUSER | 1 | SA | 110V |
| 7 | JC91-00946B | FUSER | 1 | SA | 110V |
| 7 | JC91-00945A | FUSER | 1 | SA | 220V |
| 7 | JC91-00945B | FUSER | 1 | SA | 220V |
| 9 | JC93-00038B | FRAME MAIN | 1 | SA | ML-1910 |
| 9 | JC93-00038A | FRAME MAIN | 1 | SA | ML-2525/2580N |
| 9 | JC93-00038F | FRAME MAIN | 1 | SA | ML-2525W |
| 10 | JC95-01017B | COVER-TOP | 1 | SA | ML-1910 |
| 10 | JC95-01017A | COVER-TOP | 1 | SA | ML-2580N |
| 10 | JC95-01091B | COVER-TOP | 1 | SA | ML-1915/2525 |
| 10 | JC95-01091G | COVER-TOP | 1 | SA | ML-2525W |
| 11 | JC95-01020B | COVER | 1 | SNA | ML-1910 |
| 11 | JC95-01020A | COVER | 1 | SNA | ML-2580N |
| 11 | JC95-01092B | COVER | 1 | SNA | ML-1915/2525 |
| 12 | - | CARTRIDGE-TONER | 1 | SNA | |
| 13 | - | CBF-POWER CORD | 1 | SA | Refer to Power cord page |
| 14 | JC92-02025A | PBA SUB-WLAN | 1 | SA | ML-2525W |
| 15 | JC39-01344A | HARNESS-WLAN | 1 | SA | ML-2525W |

2. Top Cover



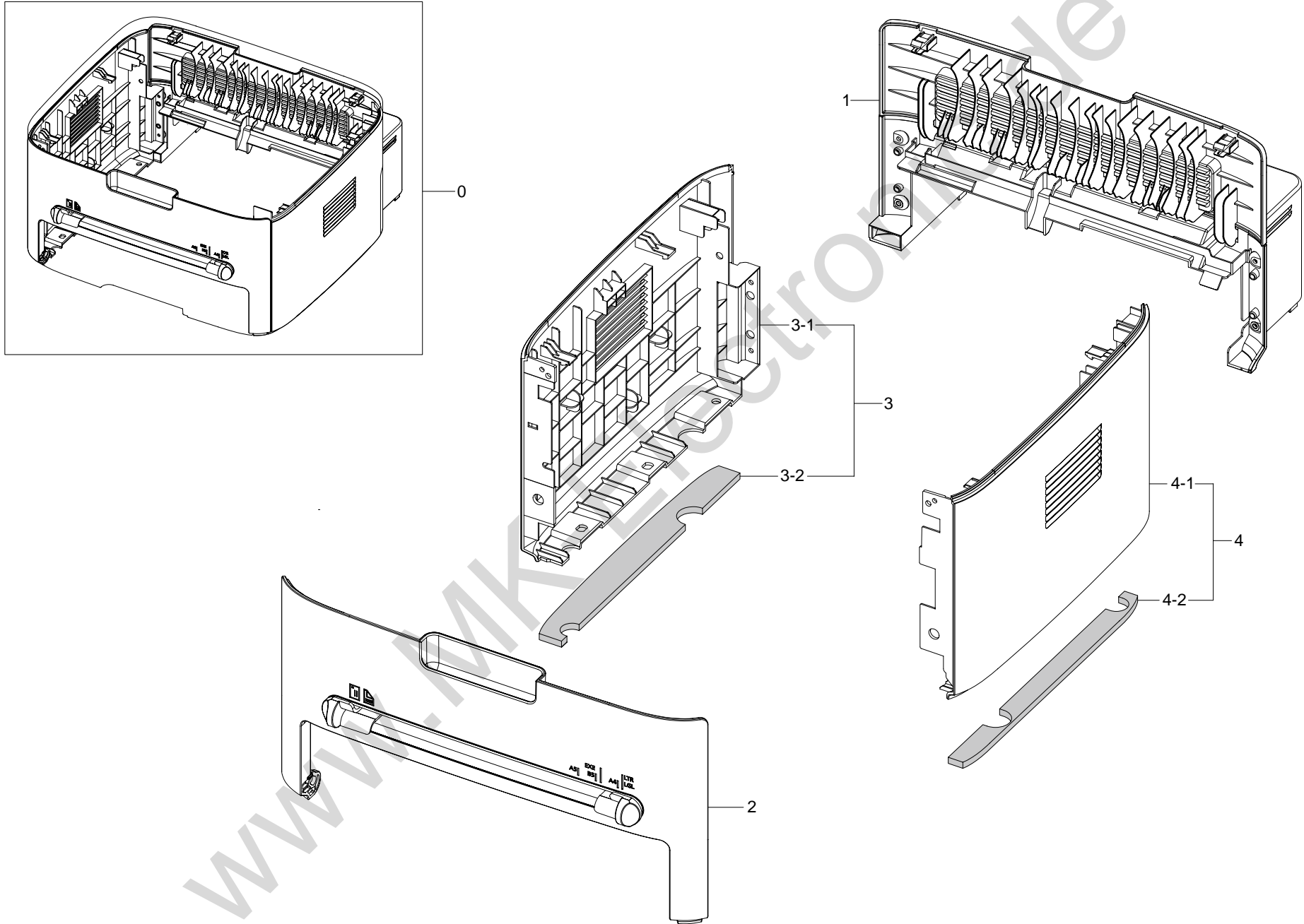
Top Cover Parts List

SA : SERVICE AVAILABLE, SNA : SERVICE not AVAILABLE

| Drawer# | SEC_Code | Description | QT'y | Service | Remark |
|---------|-------------|---------------|------|---------|---------------|
| 0 | JC95-01017B | COVER-TOP | 1 | SA | ML-1910 |
| 0 | JC95-01017A | COVER-TOP | 1 | SA | ML-2580N |
| 0 | JC95-01091B | COVER-TOP | 1 | SA | ML-1915/2525 |
| 0 | JC95-01091G | COVER-TOP | 1 | SA | ML-2525W |
| 1 | 6003-000196 | SCREW-TAPTYPE | 5 | SA | |
| 2 | 6107-001169 | SPRING-CS | 2 | SA | |
| 3 | JC72-01346H | PMO-STACKER | 1 | SA | ML-1910/2580N |
| 3 | JC72-01346J | PMO-STACKER | 1 | SA | ML-1915/2525 |
| 4 | JC63-02335B | COVER-TOP | 1 | SNA | ML-1910 |
| 4 | JC63-02335A | COVER-TOP | 1 | SNA | ML-2580N |
| 4 | JC63-02416A | COVER-TOP | 1 | SNA | ML-1915 |
| 4 | JC63-02416B | COVER-TOP | 1 | SNA | ML-2525 |
| 4 | JC63-02416G | COVER-TOP | 1 | SNA | ML-2525W |

| Drawer# | SEC_Code | Description | QT'y | Service | Remark |
|---------|-------------|--------------------|------|---------|---------------|
| 5 | JC63-02390A | COVER-EXIT | 1 | SNA | ML-1910/2580N |
| 5 | JC63-02390B | COVER-EXIT | 1 | SNA | ML-1915/2525 |
| 6 | JC64-00500A | KEY-PRINT_SCREEN | 1 | SA | |
| 7 | JC64-00501A | KEY-START | 1 | SA | ML-1910/2580N |
| 7 | JC64-00501B | KEY-START | 1 | SA | ML-1915/2525 |
| 8 | JC64-00502A | KEY-POWER | 1 | SA | ML-1910/2580N |
| 8 | JC64-00502B | KEY-POWER | 1 | SA | ML-1915/2525 |
| 9 | JC64-00504A | KEY-POWER HOLDER | 1 | SA | |
| 10 | JC67-00413A | LENS-LED | 1 | SNA | |
| 11 | JC72-00387A | PMO-BUSHING_F/DOWN | 1 | SA | |
| 12 | JC72-01343A | PMO-SUB_M_STACKER | 1 | SA | |
| 13 | JC61-03446A | STACKER-BIN-FULL | 1 | SNA | |
| 14 | JC72-01565A | SPONGE-COVER_TOP | 1 | SNA | ML-2580N |

3. Cover



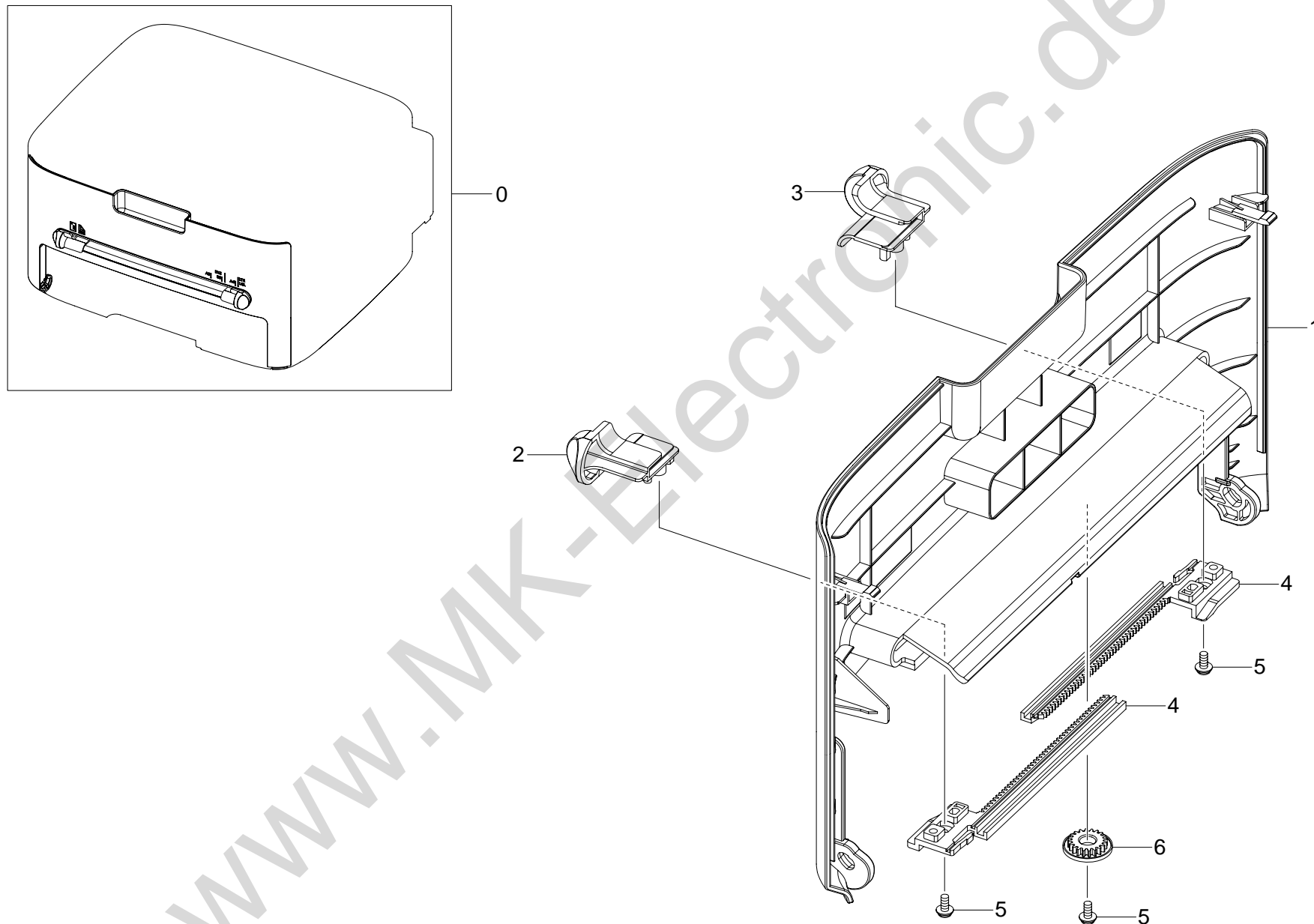
Cover Parts List

SA : SERVICE AVAILABLE, SNA : SERVICE not AVAILABLE

| Drawer# | SEC_Code | Description | QT'y | Service | Remark |
|---------|-------------|-------------|------|---------|---------------|
| 0 | JC95-01020B | COVER | 1 | SA | ML-1910 |
| 0 | JC95-01020A | COVER | 1 | SA | ML-2580N |
| 0 | JC95-01092A | COVER | 1 | SA | ML-1915 |
| 0 | JC95-01092B | COVER | 1 | SA | ML-2525 |
| 1 | JC95-01018B | COVER-REAR | 1 | SA | ML-1910 |
| 1 | JC95-01018A | COVER-REAR | 1 | SA | ML-2580N |
| 1 | JC95-01093A | COVER-REAR | 1 | SA | ML-1915 |
| 1 | JC95-01093B | COVER-REAR | 1 | SA | ML-2525 |
| 2 | JC95-01019A | COVER-FRONT | 1 | SA | ML-1910/2580N |
| 2 | JC95-01019B | COVER-FRONT | 1 | SA | ML-1915/2525 |
| 3 | JC63-02392A | COVER-LEFT | 1 | SNA | ML-1910 |

| Drawer# | SEC_Code | Description | QT'y | Service | Remark |
|---------|-------------|--------------------|------|---------|----------|
| 3 | JC63-02392B | COVER-LEFT | 1 | SNA | ML-1915 |
| 3 | JC95-01139B | COVER-LEFT | 1 | SNA | ML-2525 |
| 3 | JC95-01139A | COVER-LEFT | 1 | SNA | ML-2580N |
| 3-1 | JC63-02392A | COVER-LEFT | 1 | SNA | ML-2580N |
| 3-2 | JC72-01566A | SPONGE-COVER_LEFT | 1 | SNA | ML-2580N |
| 4 | JC63-02393A | COVER-RIGHT | 1 | SNA | ML-1910 |
| 4 | JC63-02393B | COVER-RIGHT | 1 | SNA | ML-1915 |
| 4 | JC95-01140B | COVER-RIGHT | 1 | SNA | ML-2525 |
| 4 | JC95-01140A | COVER-RIGHT | 1 | SNA | ML-2580N |
| 4-1 | JC63-02393A | COVER-RIGHT | 1 | SNA | ML-2581N |
| 4-2 | JC72-01567A | SPONGE-COVER_RIGHT | 1 | SNA | ML-2582N |

4. Front Cover



Front Cover Parts List

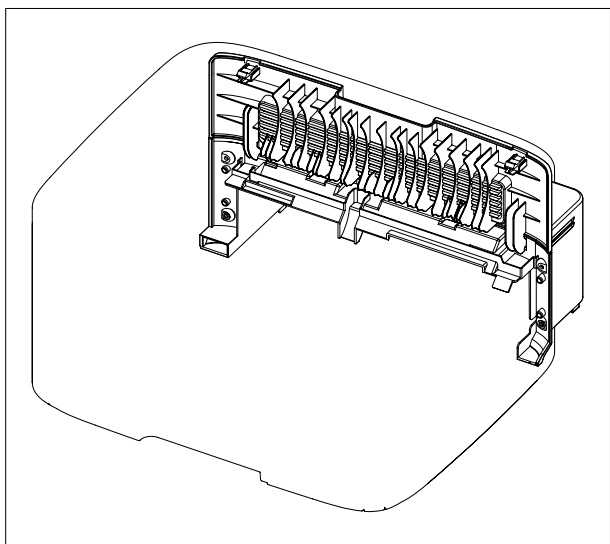
SA : SERVICE AVAILABLE, SNA : SERVICE not AVAILABLE

| Drawer# | SEC_Code | Description | QT'y | Service | Remark |
|---------|-------------|-----------------|------|---------|---------------|
| 0 | JC95-01019A | COVER-FRONT | 1 | SA | ML-1910/2580N |
| 0 | JC95-01019B | COVER-FRONT | 1 | SA | ML-1915/2525 |
| 1 | JC63-02396A | COVER-FRONT | 1 | SNA | ML-1910/2580N |
| 1 | JC63-02396B | COVER-FRONT | 1 | SNA | ML-1915/2525 |
| 2 | JC70-00477G | ADJUST-MENUAL_R | 1 | SA | ML-1910/2580N |
| 2 | JC70-00477F | ADJUST-MENUAL_R | 1 | SA | ML-1915/2525 |

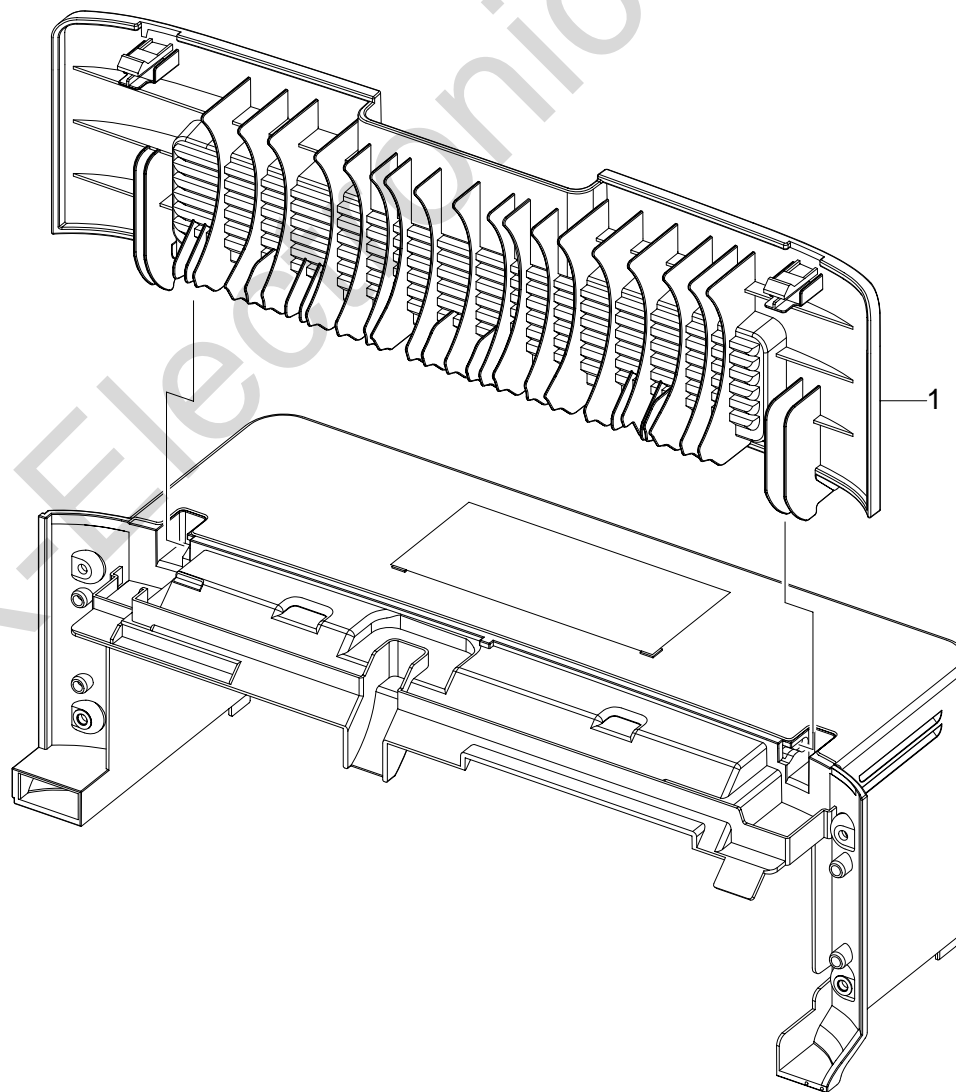
| Drawer# | SEC_Code | Description | QT'y | Service | Remark |
|---------|-------------|----------------------|------|---------|---------------|
| 3 | JC70-00476G | ADJUST-MENUAL_L | 1 | SA | ML-1910/2580N |
| 3 | JC70-00476F | ADJUST-MENUAL_L | 1 | SA | ML-1915/2525 |
| 4 | JC70-00304A | ADJUST RACK-M-MANUAL | 2 | SA | |
| 5 | 6003-000264 | SCREW-TAPTYPE | 3 | SNA | |
| 6 | JC66-00387A | GEAR-RACK_PINION | 1 | SA | |

www.MK-Electronics.com

5. Rear Cover



0



1

2

Rear Cover Parts List

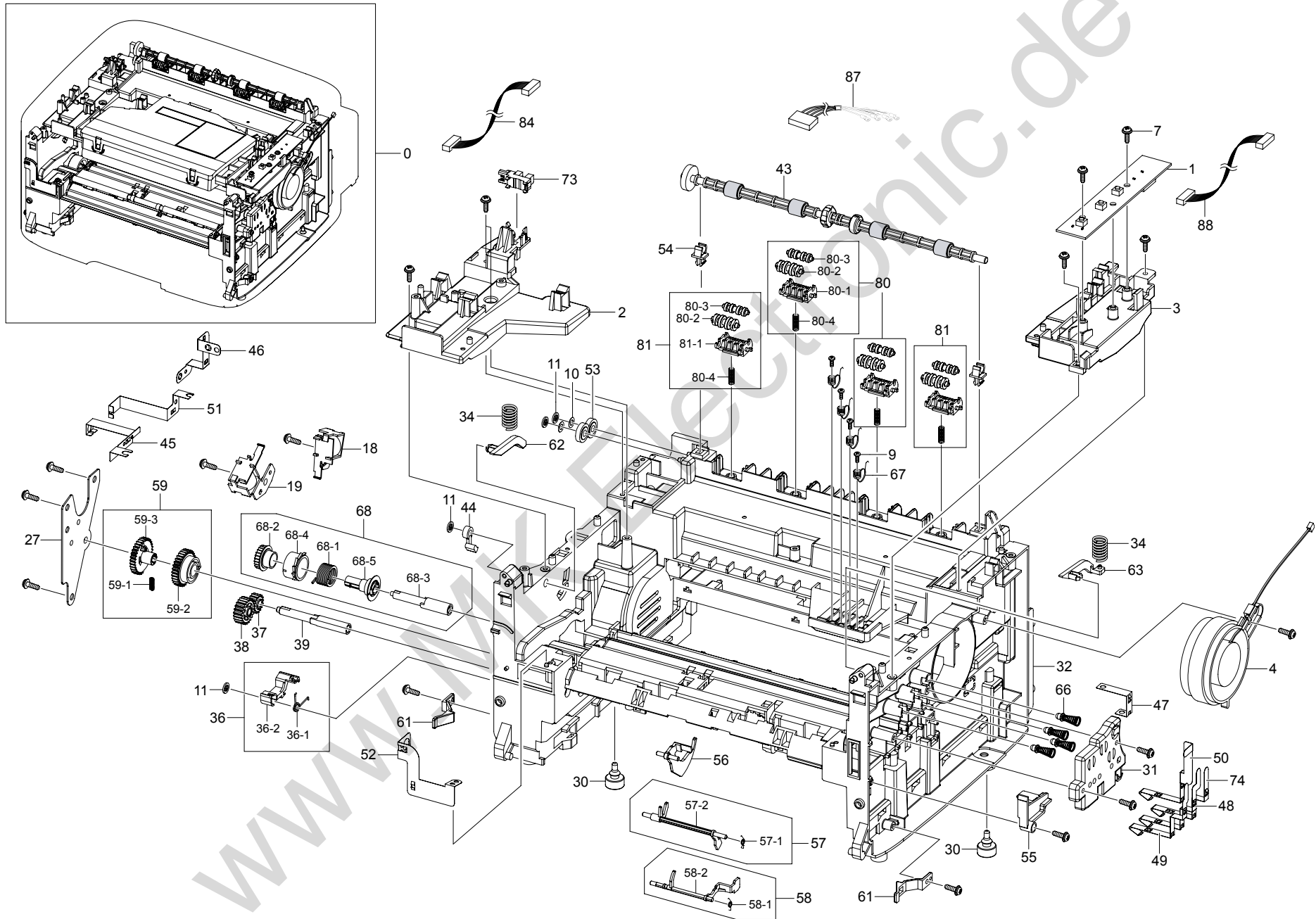
SA : SERVICE AVAILABLE, SNA : SERVICE not AVAILABLE

| Drawer# | SEC_Code | Description | QT'y | Service | Remark |
|---------|-------------|-----------------|------|---------|--------------|
| 0 | JC95-01018B | COVER-REAR | 1 | SA | ML-1910 |
| 0 | JC95-01018A | COVER-REAR | 1 | SA | ML-2580N |
| 0 | JC95-01093A | COVER-REAR | 1 | SA | ML-1915/2525 |
| 0 | JC95-01093B | COVER-REAR | 1 | SA | ML-2525W |
| 1 | JC63-02395B | COVER-REAR-DOWN | 1 | SNA | ML-1910 |

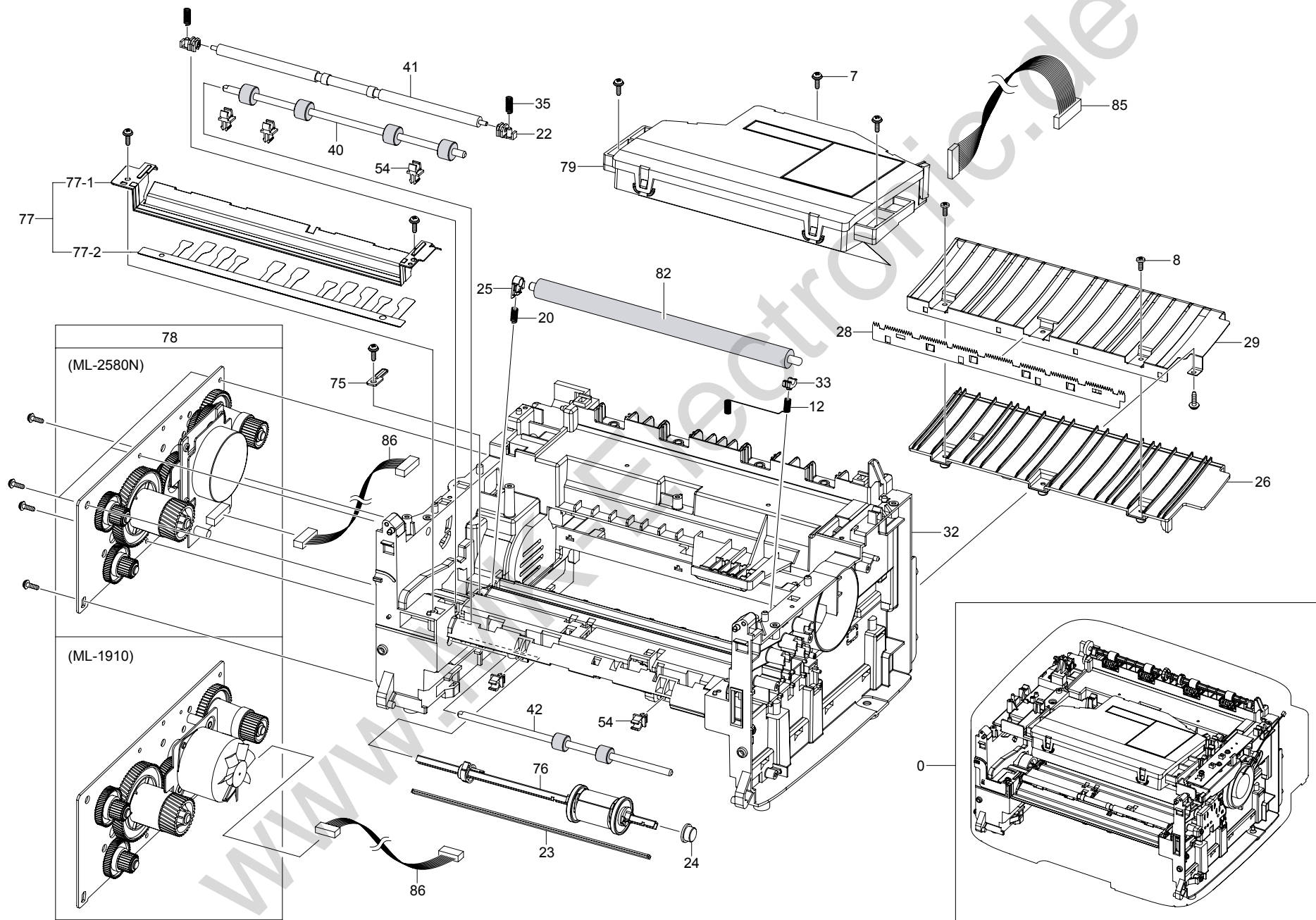
| Drawer# | SEC_Code | Description | QT'y | Service | Remark |
|---------|-------------|-----------------|------|---------|---------------|
| 1 | JC63-02395A | COVER-REAR-DOWN | 1 | SNA | ML-2580N |
| 1 | JC63-02417B | COVER-REAR-DOWN | 1 | SNA | ML-1915/2525 |
| 1 | JC63-02417A | COVER-REAR-DOWN | 1 | SNA | ML-2525W |
| 2 | JC63-02394A | COVER-REAR | 1 | SNA | ML-1910/2580N |
| 2 | JC63-02394A | COVER-REAR | 1 | SNA | ML-1915/2525 |

www.MK-Electronics.com

6. Main Frame 1



Main Frame 2



Main Frame Parts List

SA : SERVICE AVAILABLE, SNA : SERVICE not AVAILABLE

| Drawer# | SEC_Code | Description | QT'y | Service | Remark |
|---------|-------------|-----------------------|------|---------|---------------|
| 0 | JC93-00038B | FRAME MAIN | 1 | SA | ML-1910/1915 |
| 0 | JC93-00038A | FRAME MAIN | 1 | SA | ML-2525/2580N |
| 0 | JC93-00038F | FRAME MAIN | 1 | SA | ML-2525W |
| 1 | JC92-02138A | PBA-OPE | 1 | SA | |
| 1 | JC92-02256A | PBA-OPE | 1 | SA | ML-2525W |
| 2 | JC61-03447A | FRAME-HOLDER_LSU_L | 1 | SNA | |
| 3 | JC61-03448A | FRAME-HOLDER_LSU_R | 1 | SNA | |
| 4 | JC31-00087A | FAN-DC | 1 | SA | ML-2580N |
| 7 | 6003-000196 | SCREW-TAPTYPE | 32 | SA | |
| 8 | 6003-000282 | SCREW-TAPTYPE | 2 | SNA | |
| 9 | 6002-000308 | SCREW-TAPTYPE | 4 | SNA | |
| 10 | 6031-001051 | WASHER-PLAIN | 2 | SNA | |
| 11 | 6044-000001 | RING-CS | 4 | SA | |
| 12 | 6107-001162 | SPRING-ETC | 1 | SA | |
| 18 | JC33-00026A | SOLENOID-PICK UP | 1 | SA | |
| 19 | JC33-00025B | SOLENOID-MANUAL | 1 | SA | |
| 20 | 6107-001370 | SPRING-CS | 1 | SA | |
| 22 | JC61-00585A | BUSH-M-FEED IDLE | 2 | SA | |
| 23 | JC66-00720A | SHAFT-P-CORE | 2 | SA | |
| 24 | JC61-00587A | BUSH-M-PICK_UP R | 1 | SA | |
| 25 | JC61-00588A | BUSH-M-TR L | 1 | SA | |
| 26 | JC61-00594A | GUIDE-M-TR RIB | 1 | SA | |
| 27 | JC61-00602A | BRACKET-P-FEED | 1 | SA | |
| 28 | JC61-00604A | PLATE-P-SAW | 1 | SA | |
| 29 | JC61-00607A | GUIDE-P-TR | 1 | SA | |
| 30 | JC61-40001A | FOOT-ML80 | 2 | SA | |
| 31 | JC61-03467A | HOUSING-TERMINAL | 1 | SNA | |
| 32 | JC61-03322A | FRAME-BASE | 1 | SNA | |
| 33 | JC61-02468A | BUSH-TR_L | 1 | SA | |
| 34 | JC61-70932A | SPRING ETC-GUIDE DEVE | 2 | SA | |
| 35 | JC61-70958A | SPRING ETC-TR | 2 | SA | |

| Drawer# | SEC_Code | Description | QT'y | Service | Remark |
|---------|-------------|-----------------------------|------|---------|--------|
| 36 | JC93-00106A | FRAME-LEFT STOPPER PICK UP | 1 | SA | |
| 36-1 | 6107-001170 | SPRING-TS | 1 | SA | |
| 36-2 | JC66-00377A | CAM-M-PICK_UP | 1 | SA | |
| 37 | JC66-00394A | GEAR-FEED 2 | 1 | SA | |
| 38 | JC66-00396A | GEAR-IDLE 23 | 1 | SA | |
| 39 | JC66-00398A | SHAFT-FEED | 1 | SA | |
| 40 | JC66-00526B | ROLLER-REGI | 1 | SA | |
| 41 | JC66-00527A | SHAFT-FEED IDLE | 1 | SA | |
| 42 | JC66-00598A | ROLLER-FEED | 1 | SA | |
| 43 | JC93-00097A | FRAME-ROLLER EXIT FACE DOWN | 1 | SA | |
| 44 | JC61-03524A | STOPPER-LEVER_DR | 1 | SA | |
| 45 | JC70-00308A | IPR-P-GROUND_DRIVE | 1 | SNA | |
| 46 | JC63-02411A | GROUND-FUSER | 1 | SNA | |
| 47 | JC70-00311A | IPR-P-GROUND_TR | 1 | SNA | |
| 48 | JC65-00042A | TERMINAL-CON | 1 | SA | |
| 49 | JC65-00041A | TERMINAL-SUPPLY | 1 | SA | |
| 50 | JC65-00043A | TERMINAL-CR | 1 | SA | |
| 51 | JC70-00335A | IPR-P_GROUND_DRIVE2 | 1 | SNA | |
| 52 | JC70-00458A | IPR-P-GROUND_GUIDE PAPER | 1 | SNA | |
| 53 | JC72-00143A | PMO-GEAR_EXIT_DRV16 | 2 | SNA | |
| 54 | JC72-00382B | PMO-BUSHING FEED | 7 | SA | |
| 55 | JC72-00974A | PMO-ACTUATOR CVR OPEN | 1 | SA | |
| 56 | JC72-00975A | PMO-ACTUATOR EMPTY | 1 | SA | |
| 57 | JC93-00110A | FRAME-LOWER ACTUATOR FEED | 1 | SA | |
| 57-1 | 6107-001164 | SPRING-TS | 1 | SA | |
| 57-2 | JC72-00976A | PMO-ACTUATOR FEED | 1 | SA | |
| 58 | JC93-00109A | FRAME-LOWER ACTUATOR MANUAL | 1 | SA | |
| 58-1 | 6107-001165 | SPRING-TS | 1 | SA | |
| 58-2 | JC72-00977A | PMO-ACTUATOR MANUAL | 1 | SA | |
| 59 | JC97-03141A | MEA UNIT-GEAR_PICKUP | 1 | SA | |
| 59-1 | 6107-001167 | SPRING-CS | 1 | SA | |

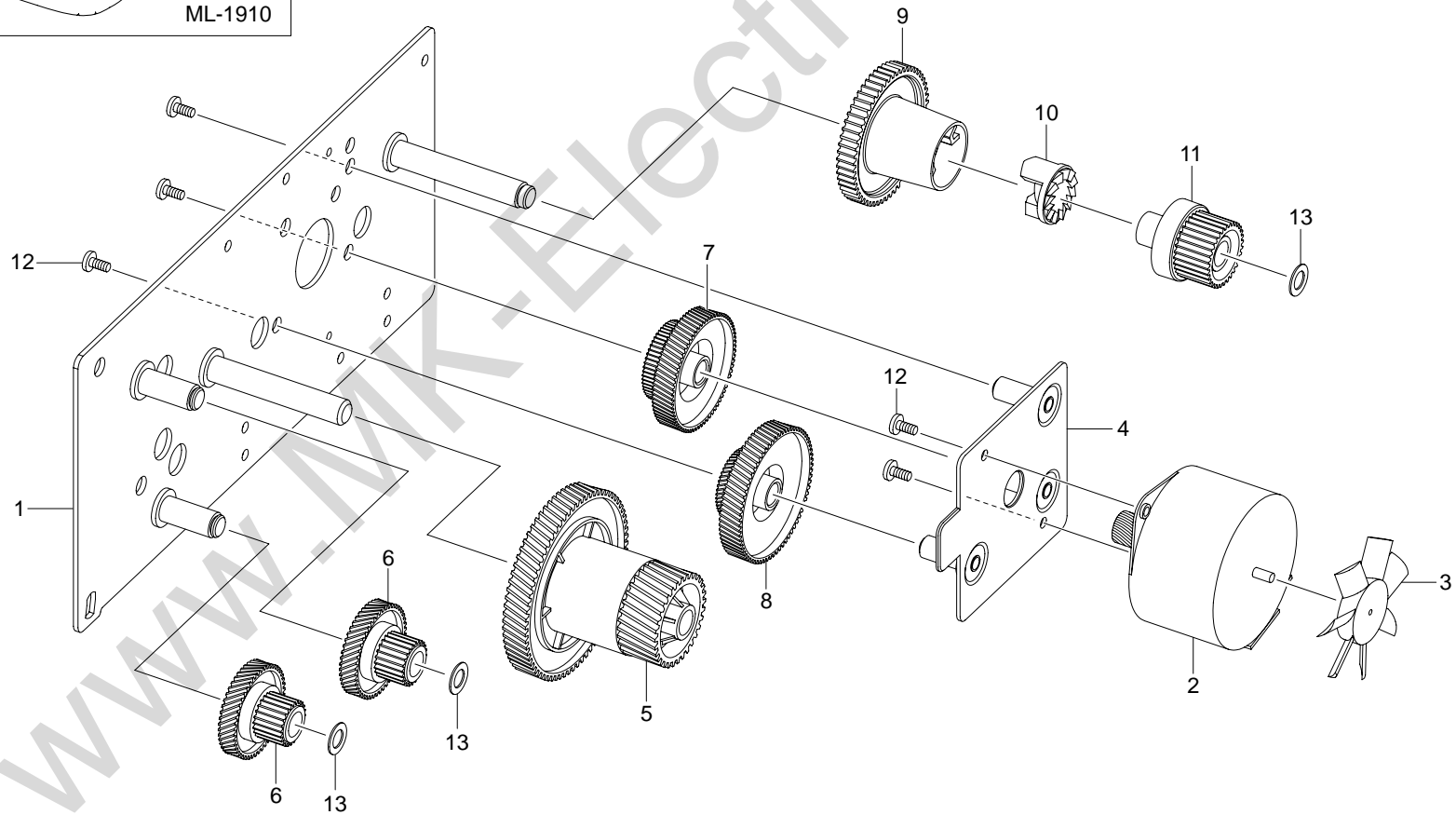
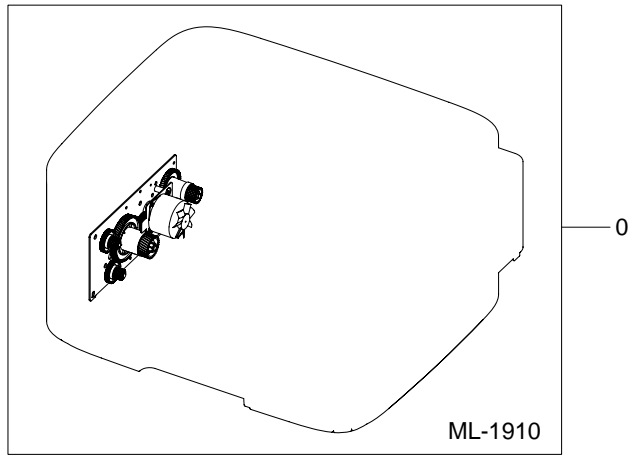
Main Frame Parts List

SA : SERVICE AVAILABLE, SNA : SERVICE not AVAILABLE

| Drawer# | SEC_Code | Description | QT'y | Service | Remark |
|---------|-------------|-------------------------|------|---------|--------|
| 59-2 | JC72-00979A | PMO-GEAR PICK_UP A | 1 | SC | |
| 59-3 | JC72-00980A | PMO-GEAR PICK_UP B | 1 | SC | |
| 61 | JC72-00983A | PMO-LOCKER CST | 2 | SA | |
| 62 | JC72-00984A | PMO-PLATE GUIDE DEVE_L | 1 | SA | |
| 63 | JC72-00985A | PMO-PLATE GUIDE DEVE_R | 1 | SA | |
| 66 | JC75-00049A | MEC-TERMINAL | 4 | SA | |
| 67 | JC65-00019A | TERMINAL-CRUM | 4 | SA | |
| 68 | JC97-01788A | MEA UNIT-CLUTCH | 1 | SA | |
| 68-1 | 6107-001171 | SPRING-TS | 1 | SA | |
| 68-2 | JC66-00393A | GEAR-FEED 1 | 1 | SA | |
| 68-3 | JC66-00398A | SHAFT-FEED | 1 | SA | |
| 68-4 | JC72-00978A | PMO-COLLAR_SPRING | 1 | SA | |
| 68-5 | JC72-00981A | PMO-HUB CLUTCH | 1 | SNA | |
| 73 | 0604-001393 | PHOTO-INTERRUPTER | 1 | SA | |
| 74 | JC70-00312A | IPR-P-TERMINAL CON | 1 | SA | |
| 75 | JC61-03440A | BRACKET-BUSH_TR L | 1 | SA | |
| 76 | JC93-00085A | FRAME BASE-PICK UP | 1 | SA | |
| 77 | JC93-00108A | FRAME-FRONT GUIDE PAPER | 1 | SA | |
| 77-1 | JC61-00718A | GUIDE-P-PAPER | 1 | SA | |
| 77-2 | JC63-02483A | SHEET-GUIDE_PAPER | 1 | SA | |

| Drawer# | SEC_Code | Description | QT'y | Service | Remark |
|---------|-------------|---------------------------|------|---------|--------------|
| 78 | JC93-00083A | DRIVE MAIN-BRACKET | 1 | SA | ML-1910 |
| 78 | JC93-00003A | DRIVE MAIN-BRACKET | 1 | SA | ML-2525/2580 |
| 79 | JC97-03585A | LSU | 1 | SNA | |
| 80 | JC93-00107A | FRAME-ROLLER DECURL | 2 | SA | |
| 80-1 | JC61-01172A | HOLDER-M-EXIT F/DOWN | 1 | SNA | |
| 80-2 | JC66-00830A | ROLLER-M-EXIT FR | 1 | SA | |
| 80-3 | JC66-00824A | ROLLER-M-EXIT MAIN | 1 | SA | |
| 80-4 | 6107-001163 | SPRING-CS | 1 | SA | |
| 81 | JC93-00107B | FRMAE-ROLLER DECURL | 2 | SA | |
| 81-1 | JC61-02702B | HOLDER-EXIT ROLLER | | | |
| 80-2 | JC66-00830A | ROLLER-M-EXIT FR | 1 | SA | |
| 80-3 | JC66-00824A | ROLLER-M-EXIT MAIN | 1 | SA | |
| 80-4 | 6107-001163 | SPRING-CS | 1 | SA | |
| 84 | JC39-01066A | HARNESS-BINFULL | 1 | SA | |
| 85 | JC39-01067A | HARNESS-LSU | 1 | SA | |
| 86 | JC39-01083A | HARNESS-STEP_MOTOR_CLUTCH | 1 | SA | ML-1910 |
| 86 | JC39-01080A | HARNESS-BLDC_MOTOR_CLUTCH | 1 | SA | ML-2525/2580 |
| 87 | JC39-01081A | HARNESS-CRUM | 1 | SA | |
| 88 | JC39-01228A | HARNESS-OPE | 1 | SNA | |

7. Main Drive Bracket (ML-1910)



Main Drive Bracket (ML-1910) Parts List

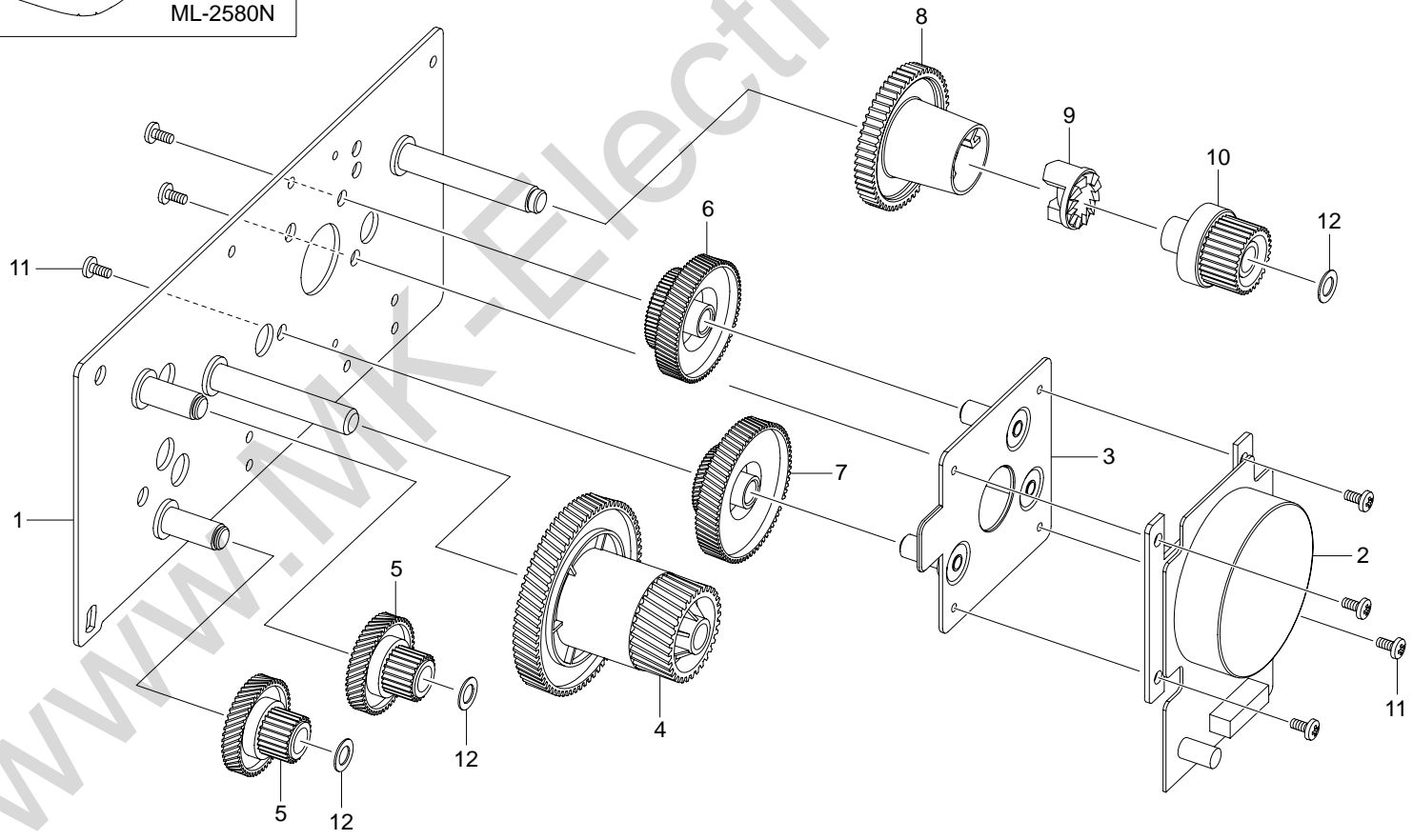
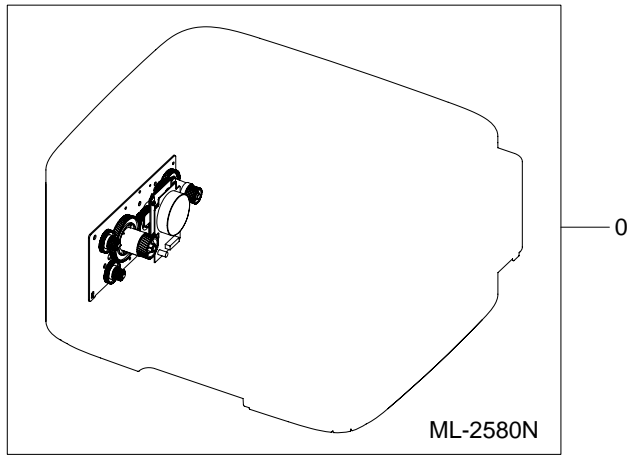
SA : SERVICE AVAILABLE, SNA : SERVICE not AVAILABLE

| Drawer# | SEC_Code | Description | QT'y | Service | Remark |
|---------|-------------|---------------------|------|---------|---------|
| 0 | JC93-00083A | DRIVE MAIN-BRACKET | 1 | SA | ML-1910 |
| 1 | JC61-00598B | BRACKET-P-GEAR 1400 | 1 | SC | |
| 2 | JC31-00028D | MOTOR STEP | 1 | SNA | |
| 3 | JC72-00825A | PMO-IMPELLER_DRV | 1 | SA | |
| 4 | JC61-03395A | BRACKET-MOTOR_STEP | 1 | SA | |
| 5 | JC66-02316A | GEAR-RDCN_OPC | 1 | SA | |
| 6 | JC66-00389A | GEAR-RDCN 57/18 | 2 | SA | |

| Drawer# | SEC_Code | Description | QT'y | Service | Remark |
|---------|-------------|--------------------|------|---------|--------|
| 7 | JC66-00392A | GEAR-RDCN 90/31 | 1 | SA | |
| 8 | JC66-00390A | GEAR-RDCN 103/41 | 1 | SA | |
| 9 | JC66-01203A | GEAR-DRV FUSER OUT | 1 | SA | |
| 10 | JC66-00340A | GEAR-HUB CLUTCH | 1 | SA | |
| 11 | JC66-01202A | GEAR-DRV FUSER IN | 1 | SA | |
| 12 | 6003-000269 | SCREW-TAPTYPE | 5 | SA | |
| 13 | 6031-000023 | WASHER-PLAIN | 3 | SA | |

www.MK-Electronics.com

8. Main Drive Bracket (ML-2580N)



Main Drive Bracket (ML-2580N) Parts List

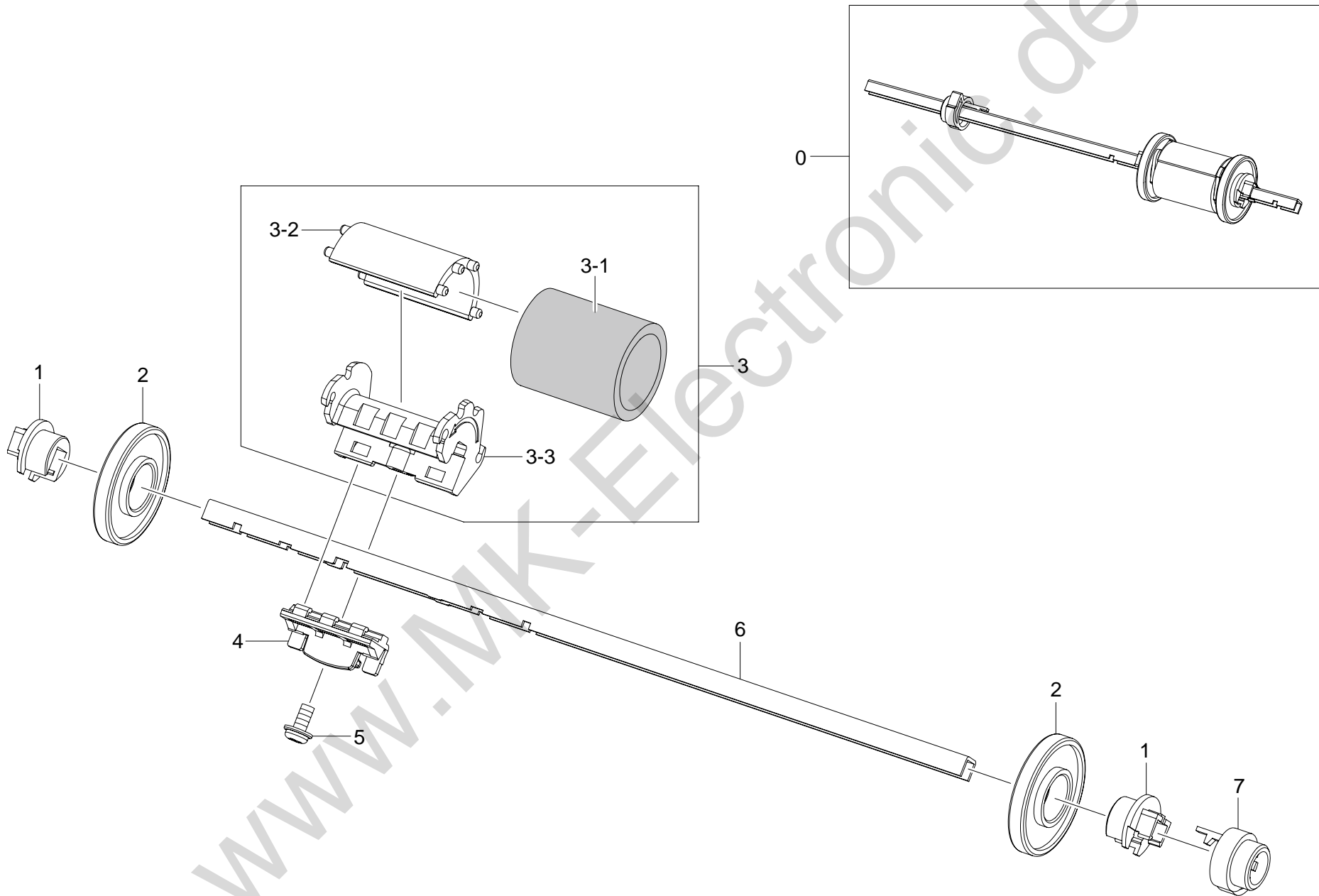
SA : SERVICE AVAILABLE, SNA : SERVICE not AVAILABLE

| Drawer# | SEC_Code | Description | QT'y | Service | Remark |
|---------|-------------|---------------------|------|---------|---------------|
| 0 | JC93-00003A | DRIVE MAIN-BRACKET | 1 | SA | ML-2525/2580N |
| 1 | JC61-00598B | BRACKET-P-GEAR 1400 | 1 | SC | |
| 2 | JC31-00122A | MOTOR BLDC | 1 | SNA | |
| 3 | JC61-03396A | BRACKET-MOTOR_BLDC | 1 | SA | |
| 4 | JC66-02316A | GEAR-RDCN_OPC | 1 | SA | |
| 5 | JC66-00389A | GEAR-RDCN 57/18 | 2 | SA | |
| 6 | JC66-00392A | GEAR-RDCN 90/31 | 1 | SA | |

| Drawer# | SEC_Code | Description | QT'y | Service | Remark |
|---------|-------------|--------------------|------|---------|--------|
| 7 | JC66-00390A | GEAR-RDCN 103/41 | 1 | SA | |
| 8 | JC66-01203A | GEAR-DRV FUSER OUT | 1 | SA | |
| 9 | JC66-00340A | GEAR-HUB CLUTCH | 1 | SA | |
| 10 | JC66-01202A | GEAR-DRV FUSER IN | 1 | SA | |
| 11 | 6003-000269 | SCREW-TAPTYPE | 7 | SA | |
| 12 | 6031-000023 | WASHER-PLAIN | 3 | SA | |

www.MK-Electronics.com

9. Base Frame-Pick Up



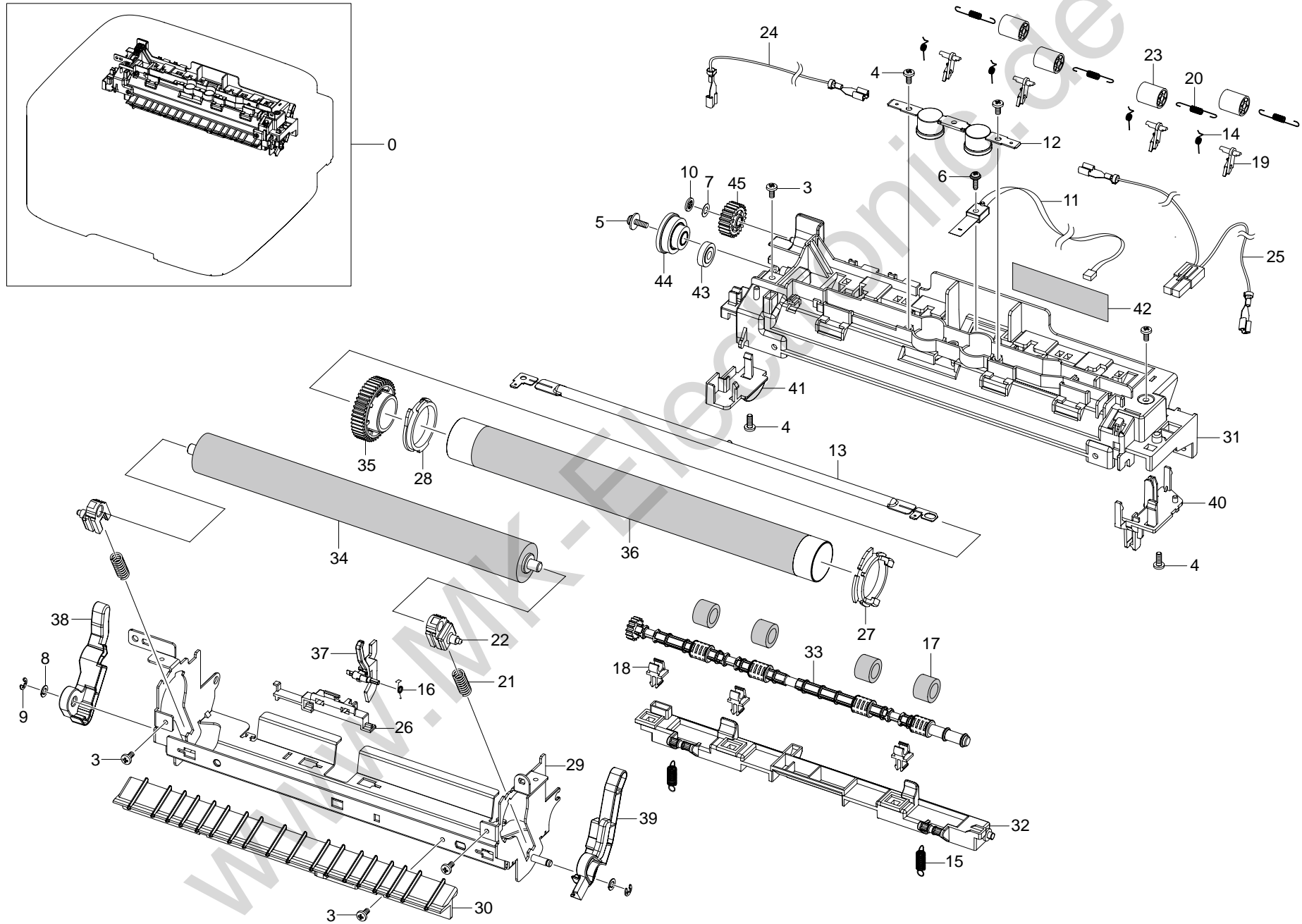
Base Frame-Pick Up Parts List

SA : SERVICE AVAILABLE, SNA : SERVICE not AVAILABLE

| Drawer# | SEC_Code | Description | QT'y | Service | Remark |
|---------|-------------|---------------------------|------|---------|--------|
| 0 | JC93-00085A | FRAME BASE-PICK UP | 1 | SA | |
| 1 | JC61-03477A | STOPPER-PICK_UP | 2 | SA | |
| 2 | JC72-00982A | PMO-IDLE PICK_UP | 2 | SA | |
| 3 | JC93-00087A | FRAME BASE-PICK UP RUBBER | 1 | SA | |
| 3-1 | JC73-00315A | RUBBER-PICK_UP | 1 | SA | |
| 3-2 | JC61-03514A | HOUSING-PICKUP_RUB | 1 | SA | |

| Drawer# | SEC_Code | Description | QT'y | Service | Remark |
|---------|-------------|------------------|------|---------|--------|
| 3-3 | JC61-03435A | HOUSING-PICKUP | 1 | SA | |
| 4 | JC61-03485A | HOLDER-PICKUP | 1 | SA | |
| 5 | 6003-000264 | SCREW-TAPTYPE | 1 | SNA | |
| 6 | JC66-00399A | SHAFT-P-PICK_UP | 1 | SA | |
| 7 | JC61-00586A | BUSH-M-PICK_UP L | 1 | SA | |

10. Fuser



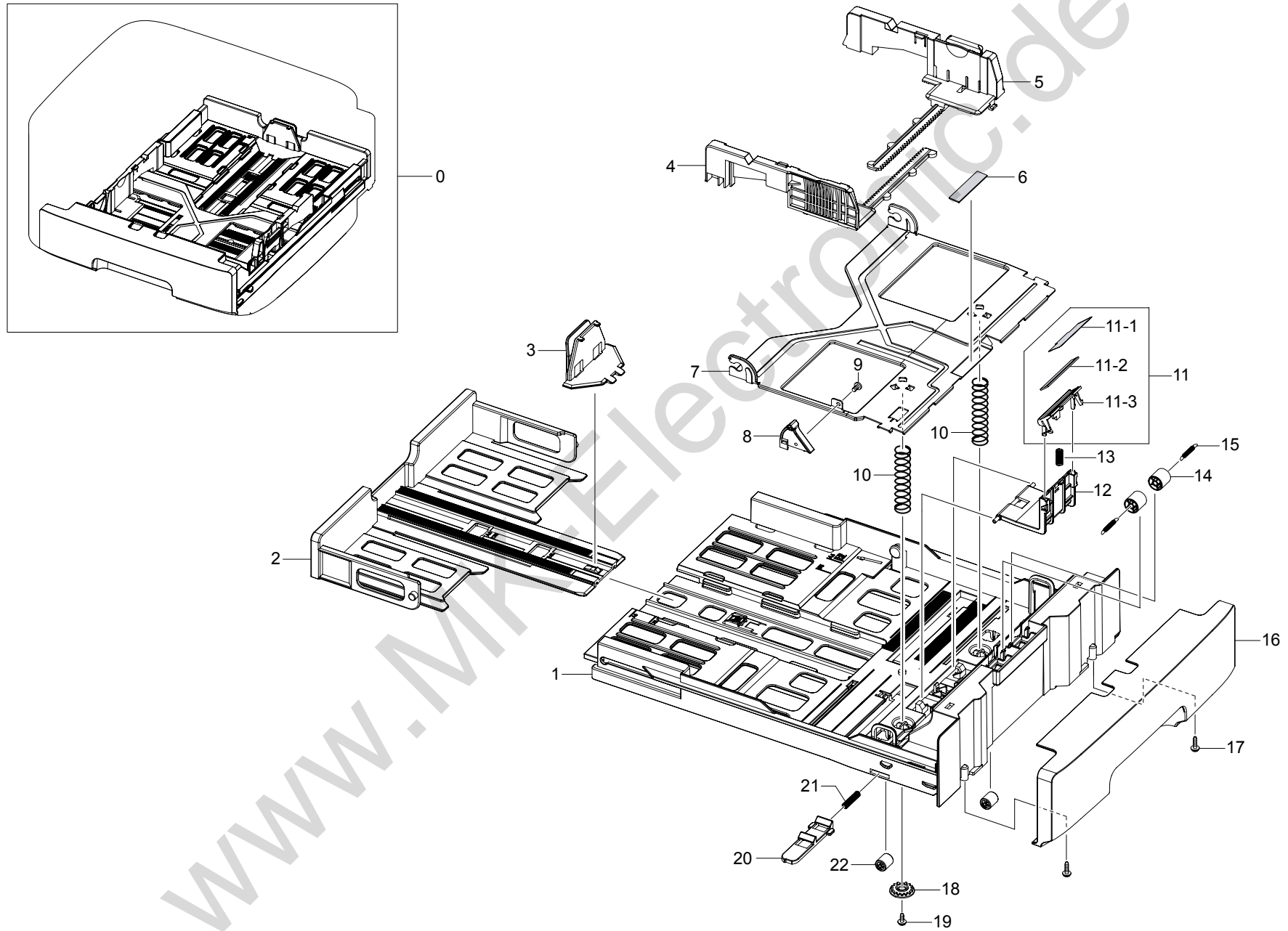
Fuser Parts List

SA : SERVICE AVAILABLE, SNA : SERVICE not AVAILABLE

| Drawer# | SEC_Code | Description | QT'y | Service | Remark |
|---------|-------------|-----------------------|------|---------|---------------|
| 0 | JC91-00946A | FUSER | 1 | SA | 110V / A type |
| 0 | JC91-00946B | FUSER | 1 | SA | 220V / B type |
| 0 | JC91-00945A | FUSER | 1 | SA | 110V / C type |
| 0 | JC91-00945B | FUSER | 1 | SA | 220V / D type |
| 3 | 6003-000269 | SCREW-TAPTYPE | 5 | SA | |
| 4 | 6003-000282 | SCREW-TAPTYPE | 4 | SNA | |
| 5 | 6006-001078 | SCREW-TAPTYPE | 1 | SNA | |
| 6 | 6003-000196 | SCREW-TAPTYPE | 1 | SA | |
| 7 | 6031-001051 | WASHER-PLAIN | 1 | SNA | |
| 8 | 6031-001584 | WASHER-PLAIN | 2 | SA | |
| 9 | 6044-000159 | RING-C | 2 | SA | |
| 10 | 6044-000001 | RING-CS | 1 | SA | |
| 11 | 1404-001447 | THERMISTOR-NTC ASSY | 1 | SA | |
| 12 | 4712-001031 | THERMOSTAT | 1 | SA | |
| 13 | 4713-001211 | LAMP-HALOGEN | 1 | SA | 110V |
| 13 | 4713-001212 | LAMP-HALOGEN | 1 | SA | 220V |
| 14 | 6107-001800 | SPRING-TS | 4 | SA | |
| 15 | 6107-001802 | SPRING-ES | 2 | SA | |
| 16 | 6107-001165 | SPRING-TS | 1 | SA | |
| 17 | JC73-00017A | RMO-RUBBER_EXIT | 4 | SA | |
| 18 | JC72-00382A | PMO-BUSHING TX | 3 | SNA | |
| 19 | JC61-03685A | GUIDE-CLAW | 4 | SNA | |
| 20 | JC61-70976A | SPRING ETC-FUSER EXIT | 4 | SNA | |
| 21 | JC61-00056A | SPRING ETC-PR(7300) | 2 | SA | |
| 22 | JC61-03473A | BUSH-PR HIGH | 2 | SNA | |
| 23 | JC72-40361A | PMO-ROLLER_EXIT | 4 | SNA | |

| Drawer# | SEC_Code | Description | QT'y | Service | Remark |
|---------|-------------|---------------------|------|---------|----------|
| 24 | JC39-00819A | HARNESS-FUSER JOINT | 1 | SA | |
| 25 | JC39-01082A | HARNESS-FUSER AC | 1 | SA | |
| 26 | JC61-00581A | HOLDER-ACTUATOR | 1 | SA | |
| 27 | JC61-00887A | BUSH-M-HR R_R2 | 1 | SA | |
| 28 | JC61-00888A | BUSH-M-HR L_R2 | 1 | SA | |
| 29 | JC61-03449A | FRAME-FUSER | 1 | SNA | |
| 30 | JC61-03450A | GUIDE-INPUT | 1 | SNA | |
| 31 | JC63-02412A | COVER-FUSER | 1 | SNA | |
| 32 | JC63-02413A | COVER-FUSER DUMMY | 1 | SNA | |
| 33 | JC66-00380A | ROLLER-M-EXIT F/UP | 1 | SA | |
| 34 | JC66-00600A | ROLLER-PRESSURE | 1 | SA | A/B Type |
| 34 | JC66-00600B | ROLLER-PRESSURE | 1 | SA | C/D Type |
| 35 | JC66-01254A | GEAR-FUSER | 1 | SA | |
| 36 | JC66-01256A | ROLLER-HEAT | 1 | SA | A/B Type |
| 36 | JC66-01256B | ROLLER-HEAT | 1 | SA | C/D Type |
| 37 | JC66-02364A | ACTUATOR-EXIT | 1 | SNA | |
| 38 | JC66-02365A | LEVER-LINK JAM L | 1 | SNA | |
| 39 | JC66-02366A | LEVER-LINK JAM R | 1 | SNA | |
| 40 | JC67-00414A | CAP-FUSER LAMP R | 1 | SNA | |
| 41 | JC67-00415A | CAP-FUSER LAMP L | 1 | SNA | |
| 42 | JC68-01581B | LABEL-CAUTION | 1 | SNA | 110V |
| 42 | JC68-01581C | LABEL-CAUTION | 1 | SNA | 220V |
| 43 | JC72-00143A | PMO-GEAR_EXIT_DRV16 | 1 | SNA | |
| 44 | JC66-02317A | GEAR-RDCN_EXIT | 1 | SA | |
| 45 | JC66-00396A | GEAR-IDLE 23 | 1 | SA | |

11. Cassette



Cassette Parts List

SA : SERVICE AVAILABLE, SNA : SERVICE not AVAILABLE

| Drawer# | SEC_Code | Description | QT'y | Service | Remark |
|---------|-------------|---------------------|------|---------|---------------|
| 0 | JC90-00939A | CASSETTE | 1 | SA | ML-1915/2525 |
| 0 | JC90-00939B | CASSETTE | 1 | SA | ML-1910/2580N |
| 1 | JC61-03343A | FRAME-CASSETTE | 1 | SNA | |
| 2 | JC61-03341A | GUIDE-EXTENSION CST | 1 | SNA | ML-1915/2525 |
| 2 | JC61-03341B | GUIDE-EXTENSION CST | 1 | SNA | ML-1910/2580N |
| 3 | JC72-00971A | PMO-EXTENSION SMALL | 1 | SA | |
| 4 | JC70-00300A | ADJUST-M-CASSETTE_L | 1 | SA | |
| 5 | JC70-00301A | ADJUST-M-CASSETTE_R | 1 | SA | |
| 6 | JC73-00141A | RPR-PAD CASSETTE | 1 | SA | |
| 7 | JC61-00603A | PLATE-P-KNOCK_UP | 1 | SNA | |
| 8 | JC66-00719A | CAM-M-KNOCK UP | 1 | SA | |
| 9 | 6003-000261 | SCREW-TAPTYPE | 1 | SNA | |
| 10 | 6107-001166 | SPRING-CS | 2 | SA | |
| 11 | JC90-00941A | CASSETTE-HOLDER PAD | 1 | SA | |
| 11-1 | JC63-00290A | SHEET-HOLDER PAD | 1 | SA | |

| Drawer# | SEC_Code | Description | QT'y | Service | Remark |
|---------|-------------|-------------------------|------|---------|---------------|
| 11-2 | JC73-00140A | RPR-FRICTION PAD | 1 | SA | |
| 11-3 | JC61-03344A | HOLDER-PAD | 1 | SA | |
| 12 | JC61-01978A | HOUSING-HOLDER PAD | 1 | SA | |
| 13 | JC61-70911A | SPRING ETC-EXIT ROLL FD | 1 | SA | |
| 14 | JC66-00529C | ROLLER-IDLE FEED | 2 | SA | ML-1915/2525 |
| 14 | JC66-00529A | ROLLER-M-IDLE FEED | 2 | SA | ML-1910/2580N |
| 15 | 6107-001047 | SPRING-ES | 2 | SA | |
| 16 | JC63-02341A | COVER-CASSETTE | 1 | SNA | ML-1915/2525 |
| 16 | JC63-02341B | COVER-CASSETTE | 1 | SNA | ML-1910/2580N |
| 17 | 6003-000196 | SCREW-TAPTYPE | 2 | SA | |
| 18 | JG66-40003A | GEAR-PINION | 1 | SA | |
| 19 | 6003-000264 | SCREW-TAPTYPE | 1 | SNA | |
| 20 | JC72-00972A | PMO-PLATE_LOCKER | 1 | SA | |
| 21 | JG61-70531A | SPRING ETC-LOCKER,PLATE | 1 | SA | |
| 22 | JC72-40981A | PMO-ROLLER UPPER DP | 2 | SA | |