

5. Exploded Views and Parts List

Contents

5.1	Main Assembly	5-2
5.2	Frame Assembly(ML-2240)	5-5
5.3	Frame Assembly(ML-1640)	5-7
5.4	Fuser Unit	5-9
5.5	Paper Path Unit	5-11
5.6	MP Tray Assembly (Only ML-2240)	5-13

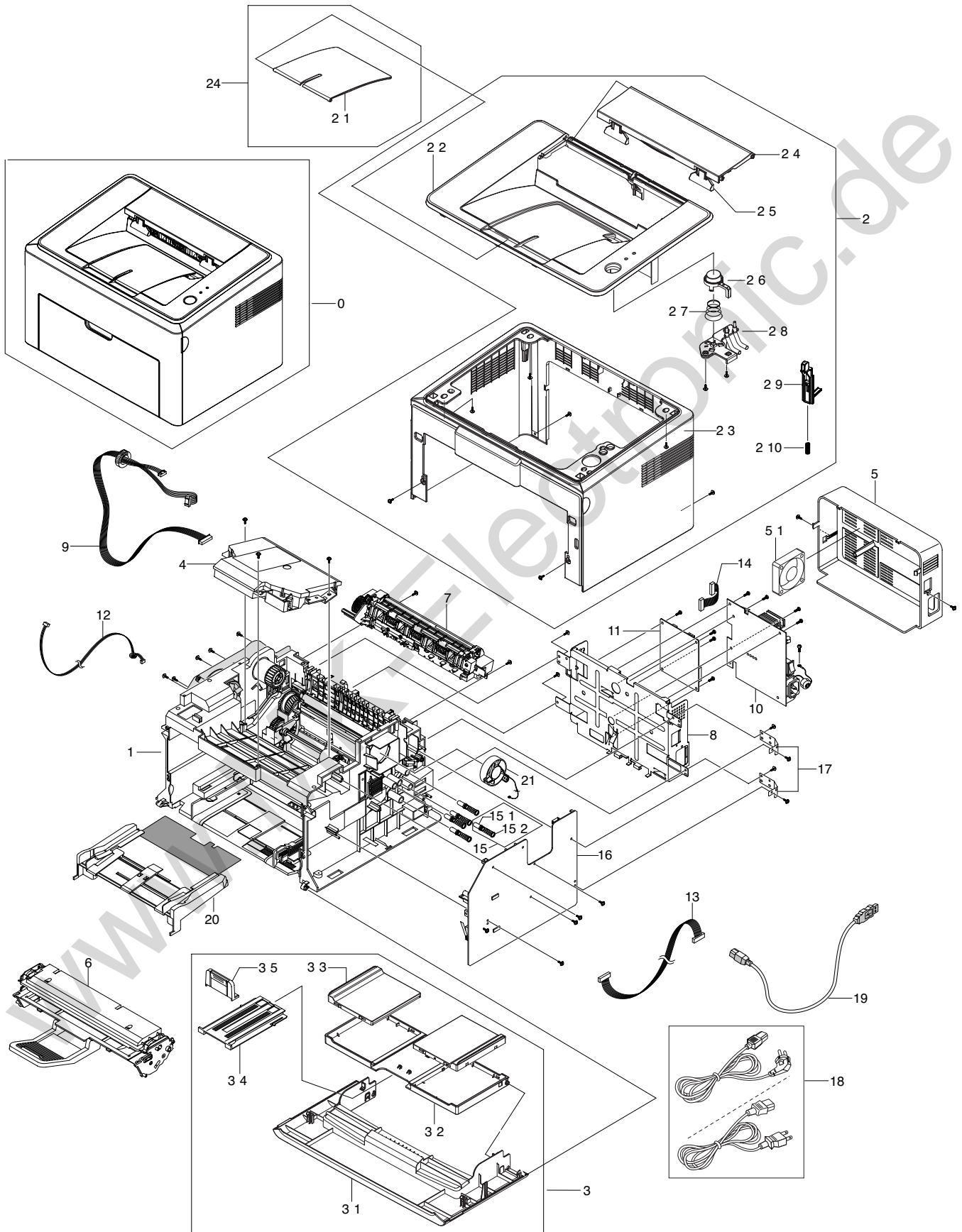
LASER PRINTER



The keynote of Product

- Speed
ML-1640 : 16 ppm (A4), 17 ppm (Ltr)
ML-2240 : 22ppm (A4), 23 ppm (Ltr)
- Emulation : GDI
- Processor : 150 Mhz Jupiter4e CPU
- Memory : 8 MB
- Toner cartridge : Initial (0.7K), Sales (1.5K)
- MP tray : Only ML-2240
- Interface : Full Speed USB 2.0
- Machine life : 50K (pages)

5.1 Main Assembly



Main Parts List

*SA : SERVICE AVAILABLE, SNA : SERVICE not AVAILABLE

*Grade : Parts Class"A,B,C,D,E"

Drawer#	SEC_CODE	DESCRIPTION	QT'Y	Service	Grade	Remark
5.1-0	ML-2240	SET				
5.1-0	ML-1640	SET				
5.1-1	JC96-05123A	ELA UNIT-FRAME	1	SA	A	2240
5.1-1	JC96-05120A	ELA UNIT-FRAME	1	SA	A	1640
5.1-2	JC97-03181A	MEA-COVER MAIN	1	SA	A	1640
5.1-2	JC97-03182A	MEA-COVER MAIN	1	SA	A	2240
5.1-2-1	JC61-01460D	GUIDE-STACKER COVER	1	SNA	B	1640
5.1-2-1	JC61-01460E	GUIDE-STACKER COVER	1	SNA	B	2240
5.1-2-2	JC63-01886A	COVER-TOP	1	SNA	B	1640
5.1-2-2	JC63-01886B	COVER-TOP	1	SA	B	2240
5.1-2-3	JC63-01887B	COVER-MAIN	1	SA	B	1640
5.1-2-3	JC63-01887B	COVER-MAIN	1	SA	B	2240
5.1-2-4	JC63-01888A	COVER-JAM	1	SA	B	1640
5.1-2-4	JC63-01888B	COVER-JAM	1	SA	B	2240
5.1-2-5	JC72-01343A	PMO-SUB_M_STACKER	2	SA	D	
5.1-2-6	JC64-00406A	KEY-ONLINE	1	SNA	D	
5.1-2-7	6107-001169	SPRING-CS	1	SA	B	
5.1-2-8	JC67-00301A	LENS-LED	1	SA	B	
5.1-2-9	JC66-02005A	ACTUATOR-JAM	1	SNA	B	
5.1-2-10	JC61-00049A	SPRING ETC-TR(KOR)	1	SNA	B	
5.1-3	JC97-03183A	MEA UNIT-COVER FRONT	1	SA	B	2240
5.1-3	JC97-03184A	MEA UNIT-COVER FRONT	1	SA	B	1640
5.1-3-1	JC63-01883A	COVER-FRONT	1	SA	B	1640
5.1-3-1	JC63-01883B	COVER-FRONT	1	SA	B	2240
5.1-3-2	JC63-01885A	COVER-CASSETTE	1	SA	B	1640
5.1-3-2	JC63-01885B	COVER-CASSETTE	1	SA	B	2240
5.1-3-3	JC63-01890A	COVER-DUMMY CASSETTE	2	SA	B	1640
5.1-3-3	JC63-01890B	COVER-DUMMY CASSETTE	2	SA	B	2240
5.1-3-4	JC63-00628F	TRAY-EXTENSION LARGE	1	SA	B	
5.1-3-5	JC63-00629F	TRAY-EXTENSION SMALL	1	SA	B	
5.1-4	JC96-04065A	ELA UNIT-LSU	1	SA	A	2240
5.1-4	JC59-00023A	UNIT-LSU	1	SA	A	1640
5.1-5	JC63-01892A	COVER-SMPS	1	SA	B	1640
5.1-5	JC63-01892B	COVER-SMPS	1	SA	B	2240
5.1-5-1	JC31-00092A	FAN	1	SA	A	
5.1-6	JC96-05045A	CARTRIDGE-TONER	1	SNA	B	1640/2240

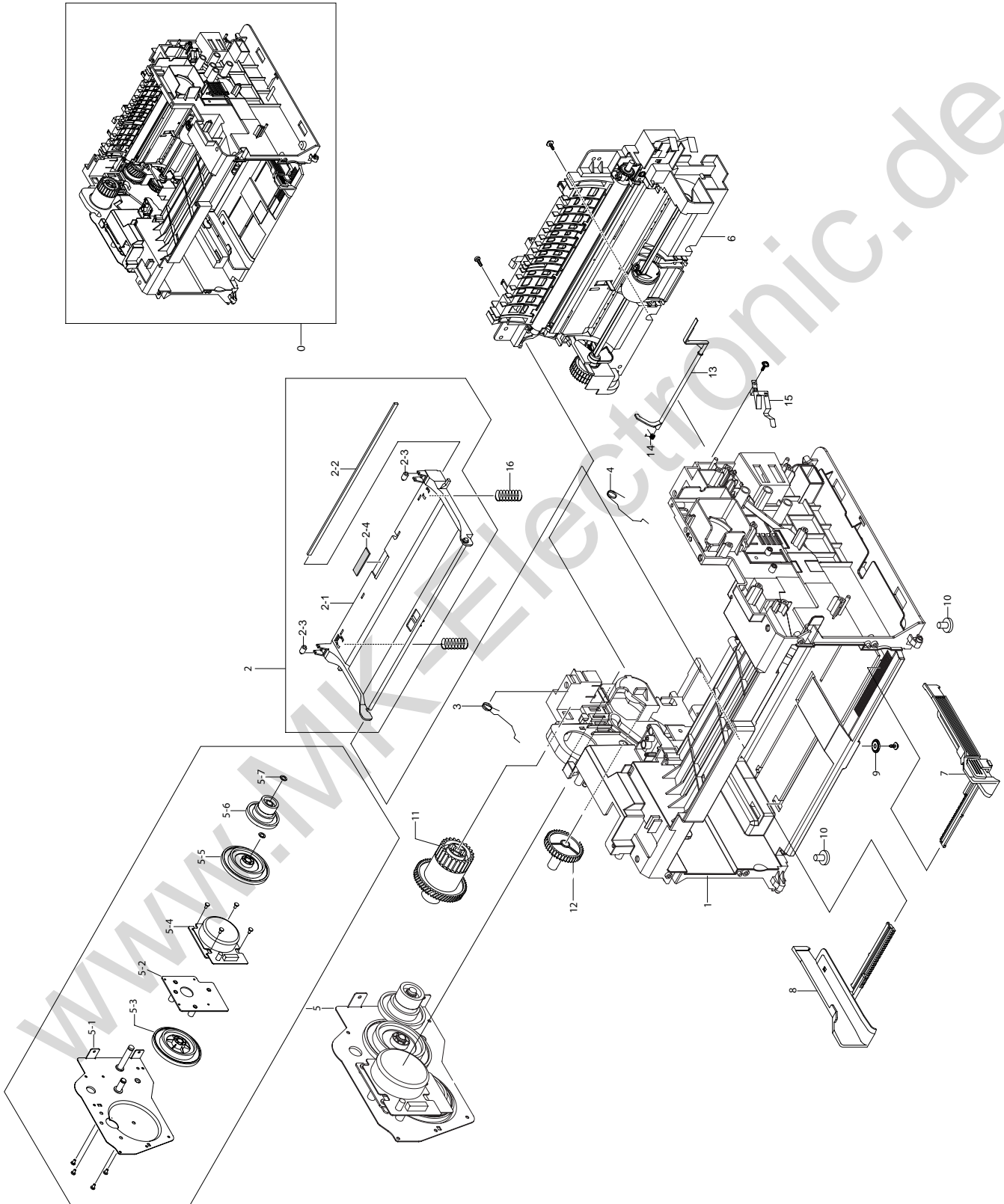
Main Parts List

*SA : SERVICE AVAILABLE, SNA : SERVICE not AVAILABLE

*Grade : Parts Class"A,B,C,D,E"

Drawer#	SEC_CODE	DESCRIPTION	QT'Y	Service	Grade	Remark
5.1-7	JC96-05121A	ELA HOU-FUSER	1	SA	A	1640/110V
5.1-7	JC96-05122A	ELA HOU-FUSER	1	SA	A	1640/220V
5.1-7	JC96-05124A	ELA HOU-FUSER	1	SA	A	2240/110V
5.1-7	JC96-05125A	ELA HOU-FUSER	1	SA	A	2240/220V
5.1-8	JC63-01930A	SHIELD-ENGINE	1	SA	B	
5.1-9	JC39-00936A	HARNESS-LSU	1	SA	B	
5.1-10	JC44-00109A	SMPS-V1_VE	1	SA	A	1640/110V
5.1-10	JC44-00110A	SMPS-V2C_VE	1	SA	A	1640/220V
5.1-10	JC44-00086A	SMPS-V1	1	SA	D	2240/110V
5.1-10	JC44-00087A	SMPS-V2C	1	SA	D	2240/220V
5.1-11	JC92-02027A	PBA-MAIN	1	SA	B	1640/USA
5.1-11	JC92-02027B	PBA-MAIN	1	SA	B	1640/EU
5.1-11	JC92-02018A	PBA-MAIN	1	SA	B	2240/USA
5.1-11	JC92-02018B	PBA-MAIN	1	SA	B	2240/EU
5.1-12	JC39-00937A	HARNESS-MOTOR	1	SA	B	1640
5.1-12	JC39-00932A	HARNESS-MOTOR	1	SA	B	2240
5.1-13	JC39-00400A	CBF HARNESS-HVPS	1	SA	A	
5.1-14	JC39-00402A	CBF HARNESS-SMPS	1	SA	A	
5.1-15	JC96-01672A	ELA UNIT-TERMINAL TR L	3	SA	D	
5.1-15-1	JC61-00031A	SPRING ETC--HV LARGE	1	SNA	A	
5.1-15-2	JC70-40912A	ICT-SHAFT HV LARGE	1	SA	D	
5.1-16	JC44-00167A	HVPS	1	SA	A	
5.1-17	JC63-00631A	GROUND-P-HVPS	2	SNA	A	
5.1-18	3903-000042	CBF-POWER CORD	1	SA	B	220V
5.1-18	3903-000085	CBF-POWER CORD	1	SA	B	110V
5.1-19	3722-002303	JACK-USB	1	SA	A	
5.1-20	JC97-02239G	MEA UNIT-MP TRAY	1	SA	A	2240
5.1-21	JC31-00085A	FAN-DC	1	SA	A	

5.2 Frame Assembly (ML-2240)



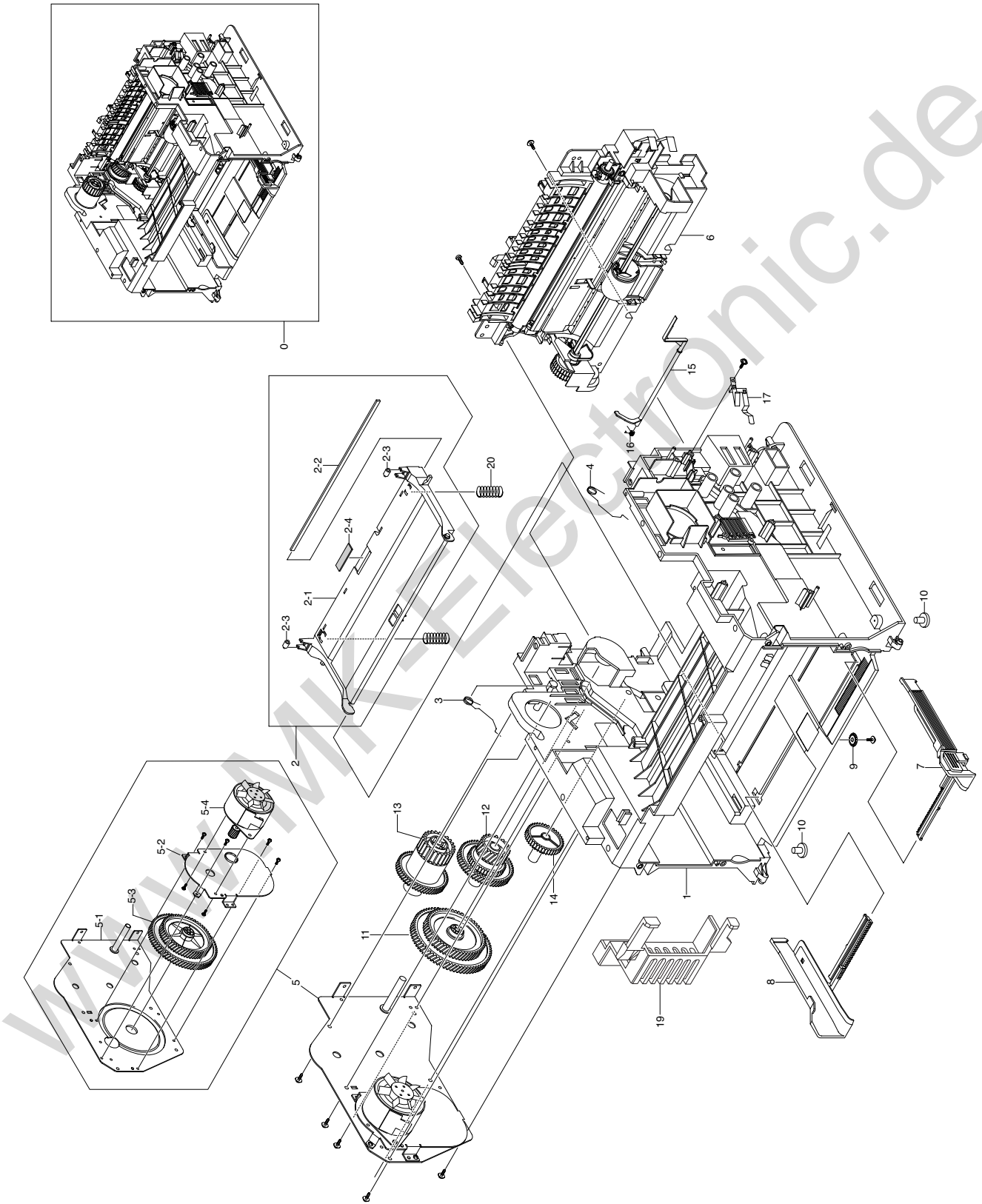
Frame Parts List(ML-2240)

*SA : SERVICE AVAILABLE, SNA : SERVICE not AVAILABLE

*Grade : Parts Class"A,B,C,D,E"

Drawer#	SEC_CODE	DESCRIPTION	QT'Y	Service	Grade	Remark
5.2-0	JC96-05123A	ELA UNIT-FRAME	1	SA	A	
5.2-1	JC61-02567A	FRAME-BASE	1	SA	A	
5.2-2	JC97-02218A	MEA UNIT-PLATE KNOCK_UP	1	SA	A	
5.2-2-1	JC61-01158A	PLATE-M-KNOCK_UP	1	SA	A	
5.2-2-2	JC66-00720A	SHAFT-P-CORE	1	SA	A	
5.2-2-3	JC72-01004A	PMO-IDLE KNOCK UP MP	2	SA	A	
5.2-2-4	JC74-00011A	MPR-PAD KNOCK UP MP	1	SA	A	
5.2-3	JC61-01258A	SPRING ETC-TORSION DEVE_L	1	SA	A	
5.2-4	JC61-01259A	SPRING ETC-TORSION DEVE_R	1	SA	A	
5.2-5	JC96-05018A	ELA UNIT-DRIVE	1	SA	A	
5.2-5-1	JC61-02619A	BRACKET-GEAR	1	SNA	D	
5.2-5-2	JC61-02577A	BRACKET-MOTOR	1	SNA	B	
5.2-5-3	JC66-01998A	GEAR-RDCN A	1	SNA	B	
5.2-5-4	JC31-00090B	MOTOR BLDC	1	SNA	A	
5.2-5-5	JC66-01999A	GEAR-RDCN B	1	SNA	B	
5.2-5-6	JC66-00806A	GEAR-OPC DR 76/38/29	1	SA	A	
5.2-5-7	6031-000023	WASHER-PLAIN	2	SA	A	
5.2-6	JC97-02218A	MEA UNIT-PLATE KNOCK_UP	1	SA	A	
5.2-7	JC70-00500C	ADJUST-CASSETTE_R	1	SA	A	
5.2-8	JC70-00499C	ADJUST-CASSETTE_L	1	SA	A	
5.2-9	JG66-40003A	GEAR-PINION	1	SA	A	
5.2-10	JC61-00836A	FOOT-FRONT	2	SA	A	
5.2-11	JC66-00807A	GEAR-FUSER DR 63/35	1	SA	A	
5.2-12	JC66-00808A	GEAR-FEED DR 41	1	SA	A	
5.2-13	JC66-00822A	LEVER-M-ACTUATOR_EMPTY	1	SA	A	
5.2-14	JB61-00076A	SPRING ETC-TORSION DOC (CC2-F)	1	SA	A	
5.2-15	JC63-00622A	GROUND-P-OPC	1	SA	A	
5.2-16	6107-001503	SPRING-CS	2	SA	A	

5.3 Frame Assembly(ML-1640)



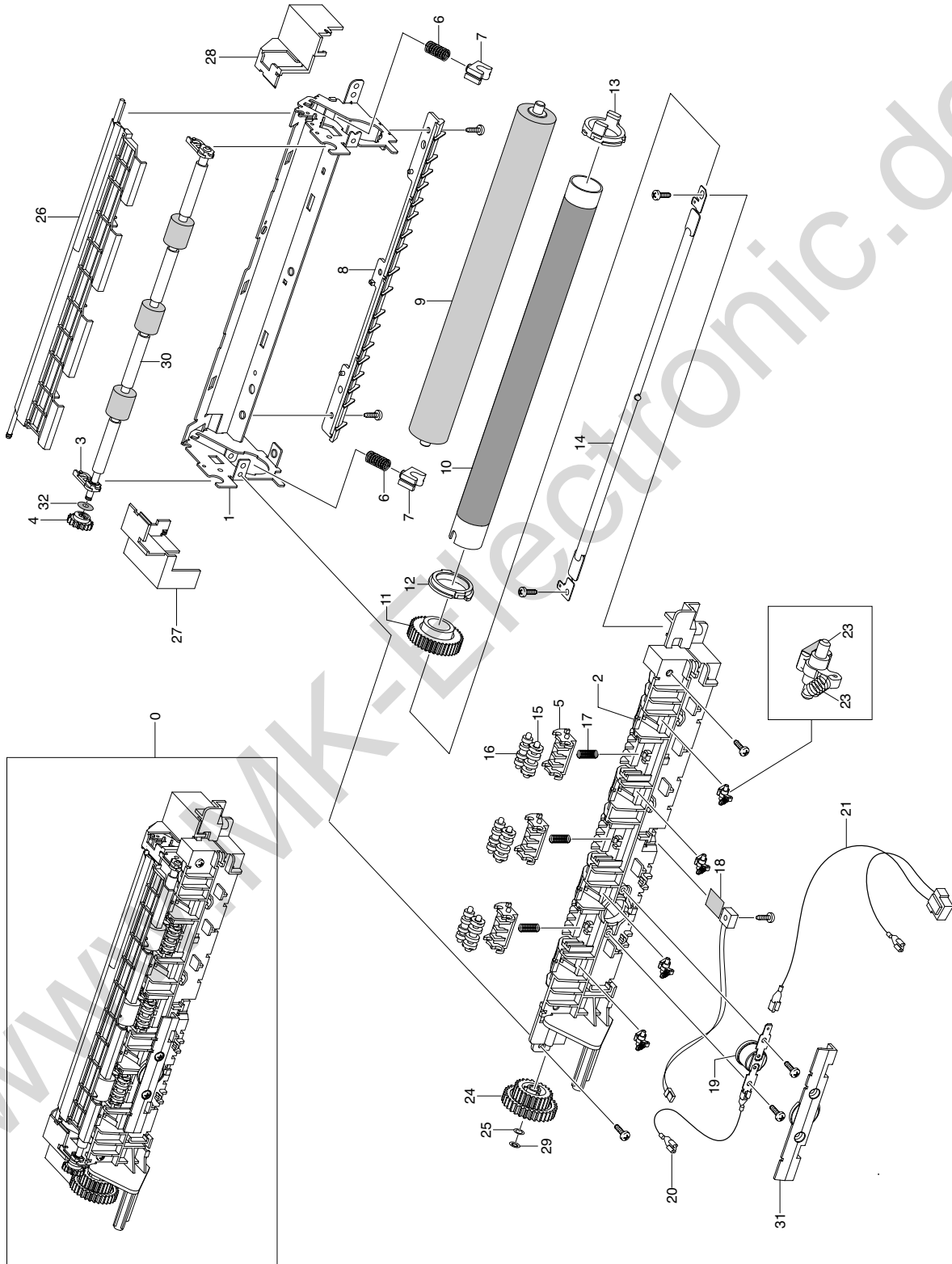
Frame Parts List(ML-1640)

*SA : SERVICE AVAILABLE, SNA : SERVICE not AVAILABLE

*Grade : Parts Class"A,B,C,D,E"

Drawer#	SEC_CODE	DESCRIPTION	QT'Y	Service	Grade	Remark
5.3-0	JC96-05120A	ELA UNIT-FRAME	1	SA	A	
5.3-1	JC61-01152A	FRAME-M-BASE	1	SNA	A	
5.3-2	JC97-02218A	MEA UNIT-PLATE KNOCK_UP	1	SA	A	
5.3-2-1	JC61-01158A	PLATE-M-KNOCK_UP	1	SA	A	
5.3-2-2	JC66-00720A	SHAFT-P-CORE	1	SA	A	
5.3-2-3	JC72-01004A	PMO-IDLE KNOCK UP MP	2	SA	A	
5.3-2-4	JC74-00011A	MPR-PAD KNOCK UP MP	1	SA	A	
5.3-3	JC61-01258A	SPRING ETC-TORSION DEVE_L	1	SA	A	
5.3-4	JC61-01259A	SPRING ETC-TORSION DEVE_R	1	SA	A	
5.3-5	JC96-05116A	ELA UNIT-DRIVE	1	SA	A	
5.3-5-1	JC61-01153A	BRACKET-P-GEAR	1	SNA	A	
5.3-5-2	JC61-01154A	BRACKET-P-MOTOR	1	SNA	A	
5.3-5-3	JC66-00804A	GEAR-RDCN 139/83	1	SA	A	
5.3-5-4	JC31-00112A	MOTOR STEP	1	SA	A	
5.3-6	JC97-02218A	MEA UNIT-PLATE KNOCK_UP	1	SA	A	
5.3-7	JC70-00500C	ADJUST-CASSETTE_R	1	SA	A	
5.3-8	JC70-00499C	ADJUST-CASSETTE_L	1	SA	A	
5.3-9	JG66-40003A	GEAR-PINION	1	SA	A	
5.3-10	JC61-00836A	FOOT-FRONT	2	SA	A	
5.3-11	JC66-00805A	GEAR-RDCN 113/83	1	SA	A	
5.3-12	JC66-00806A	GEAR-OPC DR 76/38/29	1	SA	A	
5.3-13	JC66-00807A	GEAR-FUSER DR 63/35	1	SA	A	
5.3-14	JC66-00808A	GEAR-FEED DR 41	1	SA	A	
5.3-15	JC66-00822A	LEVER-M-ACTUATOR_EMPTY	1	SA	A	
5.3-16	JB61-00076A	SPRING ETC-TORSION DOC (CC2-F)	1	SA	A	
5.3-17	JC63-00622A	GROUND-P-OPC	1	SA	A	
5.3-18	JC61-00025A	SPRING ETC-CS-CHARGE APOLLO	2	SNA	A	
5.3-19	JC67-00110A	CAP-M-MOTOR	1	SNA	A	

5.4 Fuser Unit



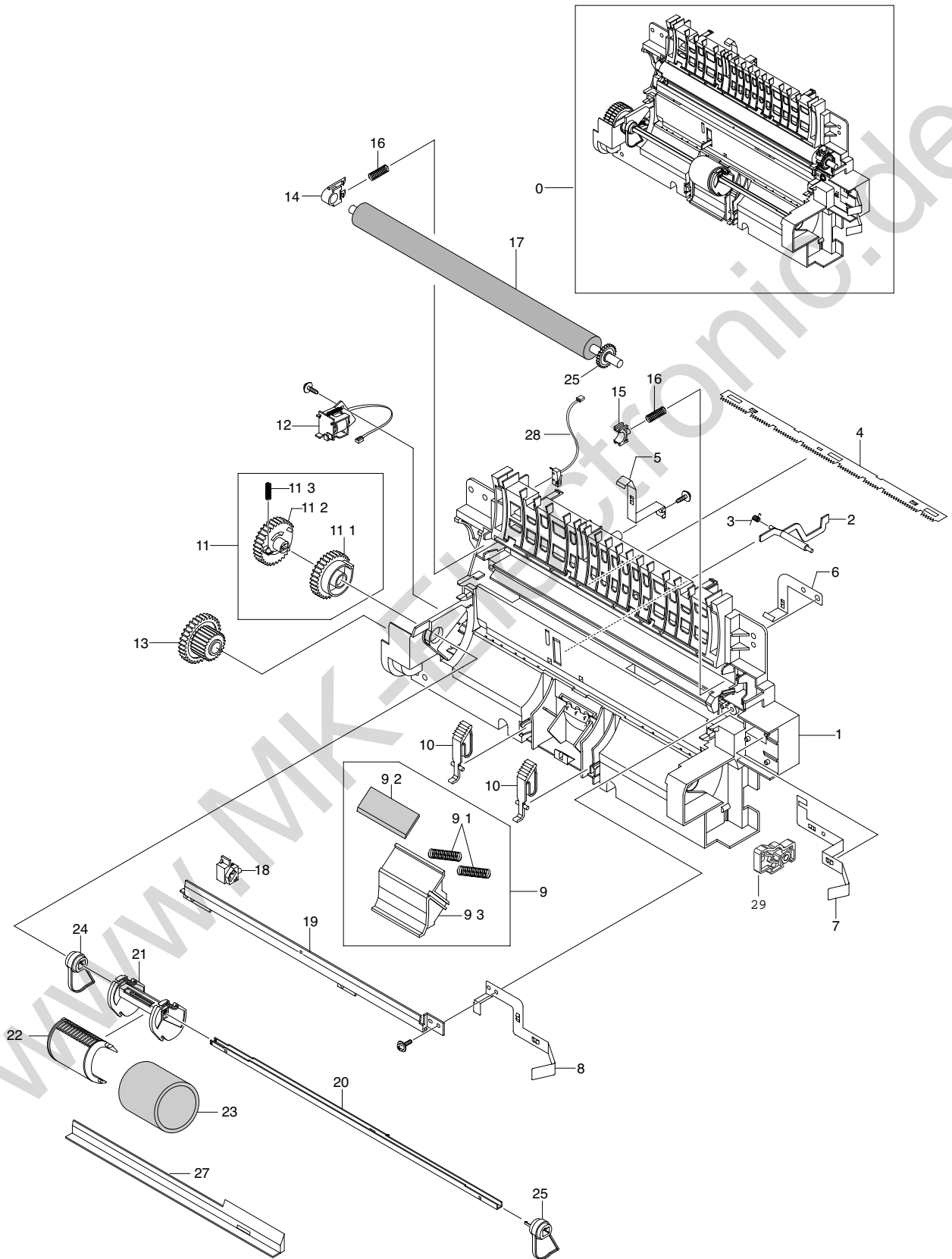
Fuser Parts List

*SA : SERVICE AVAILABLE, SNA : SERVICE not AVAILABLE

*Grade : Parts Class"A,B,C,D,E"

Drawer#	SEC_CODE	DESCRIPTION	QT'Y	Service	Grade	Remark
5.4-0	JC96-05121A	ELA HOU-FUSER	1	SA	A	1640/110V
5.4-0	JC96-05122A	ELA HOU-FUSER	1	SA	A	1640/220V
5.4-0	JC96-05124A	ELA HOU-FUSER	1	SA	A	2240/110V
5.4-0	JC96-05125A	ELA HOU-FUSER	1	SA	A	2240/220V
5.4-1	JC61-01162A	FRAME-P-FUSER	1	SNA	A	
5.4-2	JC63-00615A	COVER-M_FUSER	1	SNA	D	
5.4-3	JC61-01177A	HOLDER-M-EXIT R	2	SA	A	
5.4-4	JC66-00810A	GEAR-EXIT_DRV17	1	SA	B	
5.4-5	JC61-01172A	HOLDER-M-EXIT F/DOWN	3	SNA	A	
5.4-6	6107-001168	SPRING-CS	2	SA	D	
5.4-7	JC66-10901A	BUSH-PRESSURE R	2	SA	A	
5.4-8	JC61-00595A	GUIDE-M-INPUT	1	SNA	A	
5.4-9	JC66-00600A	ROLLER-PRESSURE	1	SA	A	1640
5.4-9	JC66-00600B	ROLLER-PRESSURE	1	SA	A	2240
5.4-10	JC66-00601B	ROLLER-HEAT	1	SA	A	1640
5.4-10	JC66-01972B	ROLLER-HEAT_CHINA	1	SA	A	2240
5.4-11	JC66-00564A	GEAR-FUSER Z37	1	SA	D	
5.4-12	JC61-00589A	BUSH-M-HR L	1	SA	A	
5.4-13	JC61-00590A	BUSH-M-HR R	1	SA	A	
5.4-14	4713-001202	LAMP-HALOGEN	1	SA	A	1640/220V
5.4-14	4713-001203	LAMP-HALOGEN	1	SA	A	1640/110V
5.4-14	4713-001211	LAMP-HALOGEN	1	SA	A	2240/110V
5.4-14	4713-001212	LAMP-HALOGEN	1	SA	D	2240/220V
5.4-15	JC66-00824A	ROLLER-M-EXIT MAIN	3	SA	D	
5.4-16	JC66-00830A	ROLLER-M-EXIT FR	3	SA	D	
5.4-17	6107-001163	SPRING-CS	3	SA	D	
5.4-18	1404-001451	THERMISTOR-NTC ASSY	1	SA	A	
5.4-19	4712-001032	THERMOSTAT	1	SA	A	
5.4-20	JC39-00404A	CBF HARNESS-FUSER JOINT	1	SA	A	
5.4-21	JC39-00403A	CBF HARNESS-FUSER(110V)	1	SA	A	110V
5.4-21	JC39-00403B	CBF HARNESS-FUSER(220V)	1	SA	A	220V
5.4-22	JC61-00064A	SPRING ETC-CLAW	4	SA	A	
5.4-23	JC61-02580A	GUIDE-CLAW	4	SA	A	
5.4-24	JC66-00801A	GEAR-EXIT_DR38/25	1	SNA	D	
5.4-25	6031-001051	WASHER-PLAIN	1	SNA	A	
5.4-26	JC63-00637A	COVER-M-FUSER-DUMMY	1	SNA	D	
5.4-27	JC63-00639A	COVER-M-LAMP-L	1	SNA	D	
5.4-28	JC63-00638A	COVER-M-LAMP-R	1	SNA	D	
5.4-29	6044-000001	RING-CS	1	SNA	B	
5.4-30	JC66-00826A	ROLLER-EXIT F/DOWN	1	SA	A	
5.4-31	JC67-00085A	CAP-M-THERMO	1	SNA	A	

5.5 Paper Path Unit



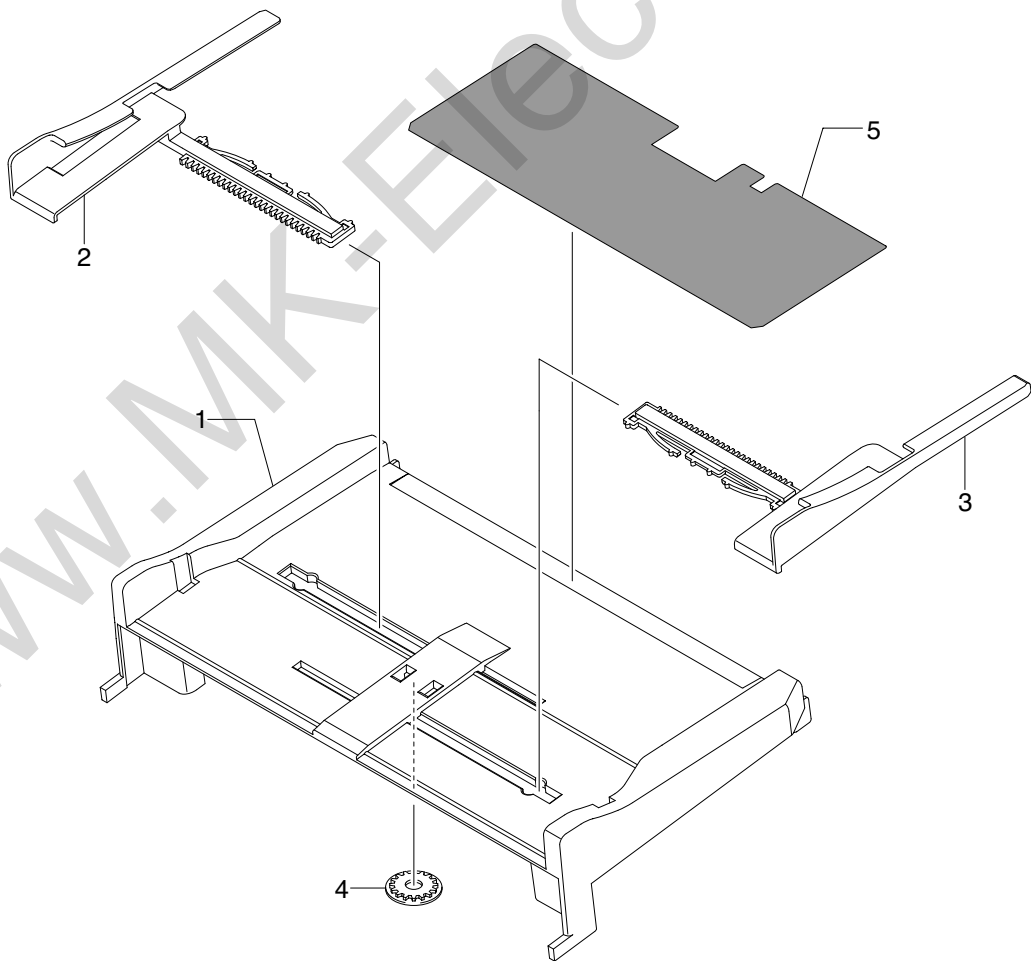
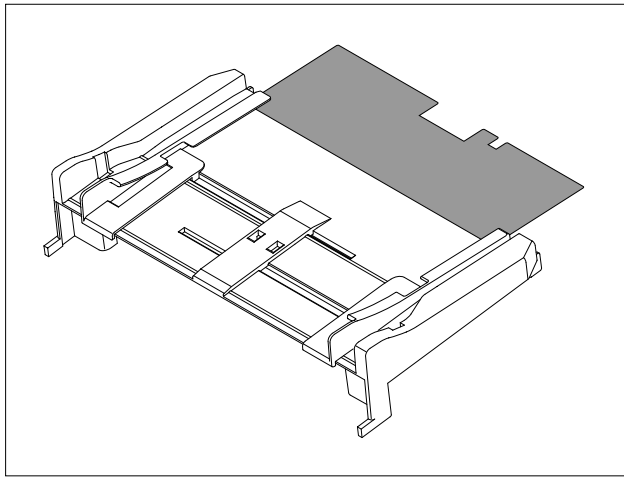
Paper Path Parts List

*SA : SERVICE AVAILABLE, SNA : SERVICE not AVAILABLE

*Grade : Parts Class"A,B,C,D,E"

Drawer#	SEC_CODE	DESCRIPTION	QT'Y	Service	Grade	Remark
5.5-0	JC97-03248A	MEA UNIT-FRAME PAPER PATH	1	SA	B	1640
5.5-0	JC97-03199A	MEA UNIT-FRAME PAPER PATH	1	SA	B	2240
5.5-1	JC61-01161A	GUIDE-M-PAPER PATH	1	SA	A	
5.5-2	JC66-00814A	LEVER-ACTUATOR FEED SENSOR	1	SA	A	
5.5-3	JB61-00107A	SPRING ETC-LEVER SENSOR	1	SA	A	
5.5-4	JC70-10232A	IPR-PLATE SAW	1	SA	D	
5.5-5	JC63-00625A	GROUND-P-VARISTOR	1	SNA	A	
5.5-6	JC63-00624A	GROUND-P-ZENER	1	SA	A	
5.5-7	JC63-00623A	GROUND-P-THV	1	SNA	A	
5.5-8	JC63-00626A	GROUND-P-SAW	1	SNA	A	
5.5-9	JC97-02217A	MEA-UNIT HOLDER PAD	1	SA	A	
5.5-9-1	JC61-70911A	SPRING ETC-EXIT ROLL FD	2	SA	A	
5.5-9-2	JC69-01568A	PAD-FRICTION	1	SNA	B	
5.5-9-3	JC61-01169A	HOLDER-M-PAD	1	SA	A	
5.5-10	JC66-00815A	LEVER-M-KICKER P/U	2	SA	D	
5.5-11	JC97-02179A	MEA UNIT-PICK UP GEAR	1	SA	A	
5.5-11-1	JC66-00803A	GEAR-PICK_UP B	1	SA	A	
5.5-11-2	JC66-00802A	GEAR-PICK_UP A	1	SA	A	
5.5-11-3	6107-001167	SPRING-CS	1	SA	D	
5.5-12	JC33-00028B	SOLENOID-MP	1	SA	A	
5.5-13	JC66-00809A	GEAR-FEED 35/19	1	SA	A	
5.5-14	JC61-00588A	BUSH-M-TR L	1	SA	A	
5.5-15	JC72-00102A	PMO-BUSHING_TR(L)	1	SA	A	
5.5-16	JC61-70940A	SPRING ETC-TR(12)	2	SA	A	
5.5-17	JC66-00725A	ROLLER-TRANSFER	1	SA	A	
5.5-18	JC61-00583A	HOLDER-PTL	1	SA	A	
5.5-19	JC70-00307A	IPR-P-EARTH TRANSFER	1	SA	A	
5.5-20	JC66-00829A	SHAFT-P-PICK_UP	1	SA	B	
5.5-21	JC61-01151A	HOUSING-M-PICK_U	1	SA	A	
5.5-22	JC61-01173A	HOUSING-M-PICK_UP B	1	SA	A	
5.5-23	JC73-00211A	RUBBER-PICK_UP	1	SA	A	
5.5-24	JC66-01935A	CAM-PICKUP L	1	SA	B	
5.5-25	JC66-01936A	CAM-PICKUP R	1	SA	B	
5.5-26	JC66-00813A	GEAR-TRANSFER	1	SA	A	
5.5-27	JC61-01281A	BRACKET-P-BAR_PICK_UP	1	SNA	A	
5.5-28	JC39-00482A	CBF HARNESS-MICRO SW	1	SA	A	
5.5-29	JC61-01548A	HOLDER-M-CAM	1	SNA	A	2240

5.6 MP Tray Assembly (Only ML-2240)



MP Tray Parts List

*SA : SERVICE AVAILABLE, SNA : SERVICE not AVAILABLE

*Grade : Parts Class"A,B,C,D,E"

Drawer#	SEC_CODE	DESCRIPTION	QT'Y	Service	Grade	Remark
5.6-0	JC97-02239G	MEA UNIT-MP TRAY	1	SA	B	
5.6-1	JC61-01263F	PLATE-MP	1	SA	B	
5.6-2	JC70-00514E	ADJUST-MP L	1	SA	B	
5.6-3	JC70-00515E	ADJUST-MP R	1	SA	B	
5.6-4	JG66-40003A	GEAR-PINION	1	SA	B	
5.6-5	JC63-00711A	SHEET-MP	1	SA	B	