

7. Exploded Views and Parts List

Contents

7.1 Main Exploded Views	7-2	7.5 OPE Unit Exploded Views	7-14
7.2 ADF Assembly Exploded Views	7-5	7.6 MP Pick-Up Unit Exploded Views	7-16
7.2-1-2 ADF Motor Ass'y	7-6	7.7 Main Frame Assembly Exploded Views	7-18
7.2-3-2 Pick up-Ass'y	7-7	7.8 MP Tray Assembly Exploded Views	7-20
7.3 Platen Cover Assembly Exploded Views	7-10	7.9 Fuser Unit Exploded Views	7-22
7.4 ADF Platen Assembly Exploded Views	7-12	7.10 Paper Path Assembly Exploded Views	7-24

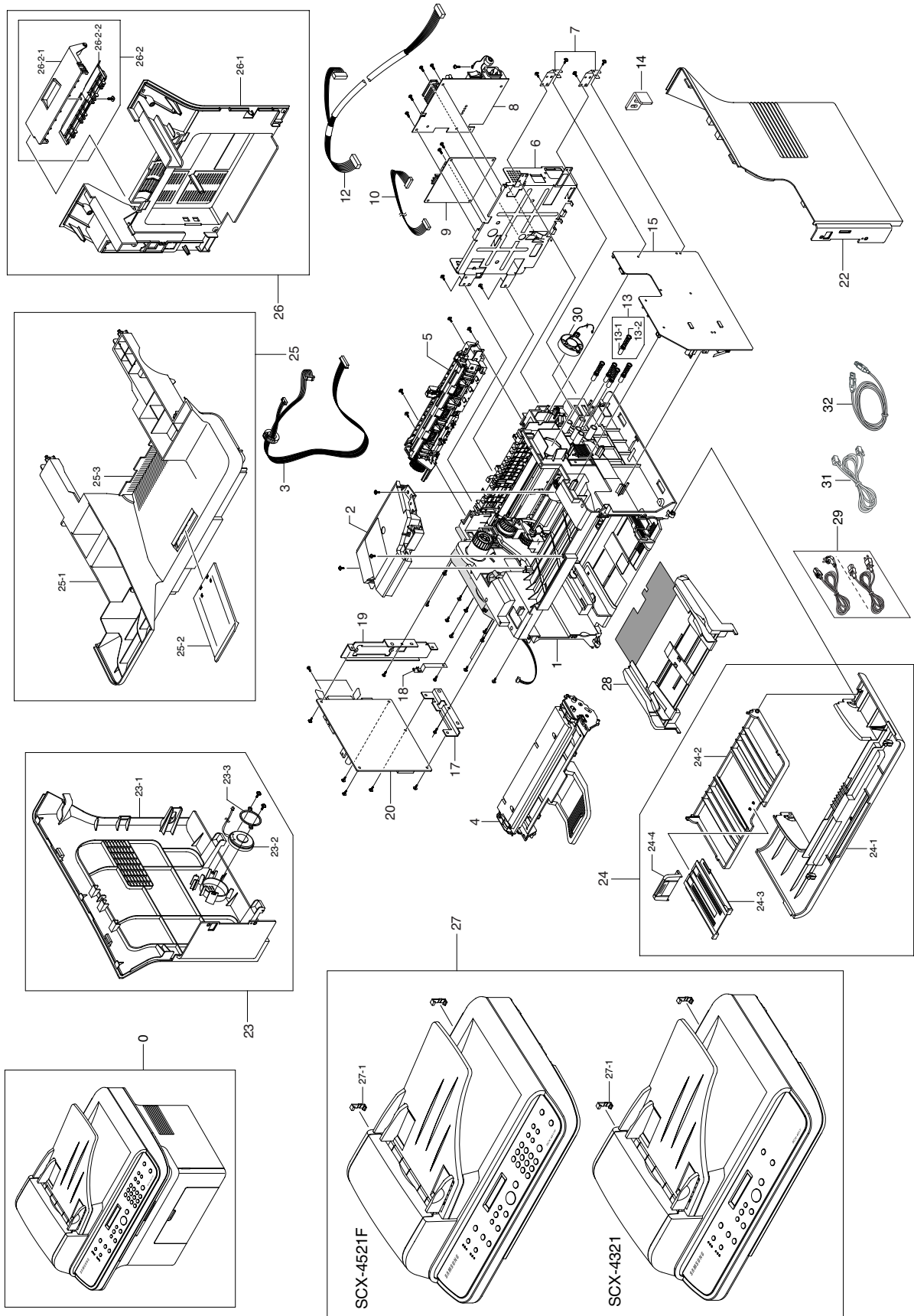
DIGITAL LASER MFP



The keynote of Product

- Machine Life: 50,000Pages
- Cpu: Chorus2
- Device Memory: 16MB
- Resolution: 600*600dpi
- Option: N/A
- Printing Speed: 22ppm/LTR,20ppm/A4
- Print Memory: 10MB
- Print Language: SPL
- Path Type: C-Path
- Cassette Capa.: 150sheets
- Outlet Stacking Capa.: 50sheets
- Toner Cartridge: initial(1K), sales(3K)
- ADF Capacity: 30sheets
- Scan Method: 600 dpi Color CIS
- Copy Speed: SDMC: 22Cpm/Ltr, MDMC:
7Cpm/Ltr
- Interface: USB1.1, IEEE1284

7.1 Main Exploded Views



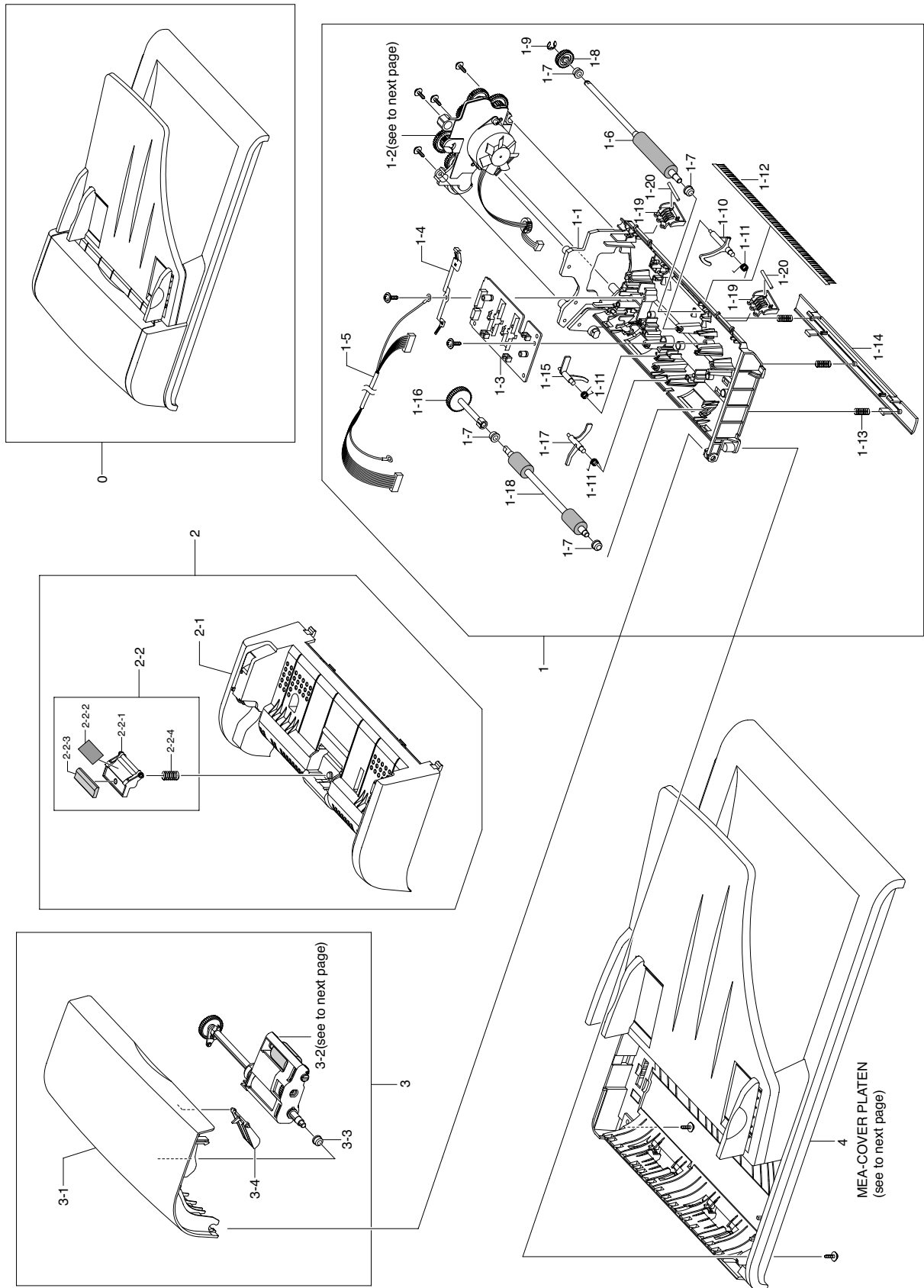
Main Parts List

Drawer#	SEC_Code	Description	QTY	Remark
7.1-0	SCX-4521F	21PPM LASER MFP 4IN1		SCX-4521F
7.1-0	SCX-4321	21PPM LASER MFP 3IN1		SCX-4321
7.1-1	JC96-03392B	ELA HOU-FRAME_LOWER	1	
7.1-2	JC59-00023A	UNIT-LSU	1	
7.1-3	JC39-00321A	CBF HARNESS-LSU	1	
7.1-4	JC96-03352P	ELA UNIT-DEVE INITIAL	1	
7.1-5	JC96-03415A	ELA HOU-FUSER_220V	1	220V
7.1-5	JC96-03414A	ELA HOU-FUSER_110V	1	110V
7.1-6	JC63-00664A	SHIELD-P-ENGINE	1	
7.1-7	JC63-00631A	GROUND-P-HVPS	2	
7.1-8	JC44-00102A	SMPS-WHITNEY+(V2C)	1	220V
7.1-8	JC44-00101A	SMPS-WHITNEY+ (V1)	1	110V
7.1-9	JC92-01684H	PBA-LIU	1	
7.1-10	JC39-00410A	CBF HARNESS-HVPS	1	
7.1-12	JC39-00641A	HARNESS-LIU	1	
7.1-13	JC96-01672A	ELA UNIT-TERMINAL TR L	3	
7.1-13-1	JC61-00031A	SPRING ETC--HV LARGE	1	
7.1-13-2	JC70-40912A	ICT-SHAFT HV LARGE	1	
7.1-14	JC61-01170A	PLATE-P-CHANNEL	1	
7.1-15	JC44-00079A	HVPS-SKYLARK	1	
7.1-17	JC61-01183A	BRACKET-P-MAIN BOARD	1	
7.1-18	JC63-00665A	GROUND-P-MAIN BOARD	1	
7.1-19	JC61-01182A	BRACKET-P-PORT	1	
7.1-20	JC92-01726D	PBA MAIN-WHITNEY_PLUS	1	SCX-4521F
7.1-20	JC92-01726B	PBA MAIN-WHITNEY_PLUS	1	SCX-4321
7.1-22	JC63-00649C	COVER-SIDE R	1	
7.1-23	JC96-03388B	ELA HOU-COVER SIDE L	1	
7.1-23-1	JC63-00650B	COVER-SIDE L	1	
7.1-23-2	3001-001494	SPEAKER	1	
7.1-23-3	GB70-10500A	IPR-UNIT FIXING BRAC	1	
7.1-24	JC97-02202C	MEA-COVER FRONT	1	
7.1-24-1	JC63-00652C	COVER-FRONT	1	
7.1-24-2	JC63-00617B	TRAY-M_CASSETTE	1	
7.1-24-3	JC63-00628D	TRAY-M_EXTENSION_L	1	
7.1-24-4	JC63-00629D	TRAY-M_EXTENSION SMALL	1	
7.1-25	JC96-03387B	ELA HOU-COVER MIDDLE	1	
7.1-25-1	JC63-00653C	COVER-MIDDLE	1	
7.1-25-2	JC72-01351C	PMO-M_STACKER	1	
7.1-25-3	JC63-00838A	SHEET-FAN	1	
7.1-26	JC97-02241E	MEA UNIT-COVER_REAR	1	SCX-4521F
7.1-26	JC97-02241G	MEA UNIT-COVER_REAR	1	SCX-4321
7.1-26-1	JC63-00651E	COVER-REAR	1	SCX-4521F
7.1-26-1	JC63-00651G	COVER-REAR	1	SCX-4321

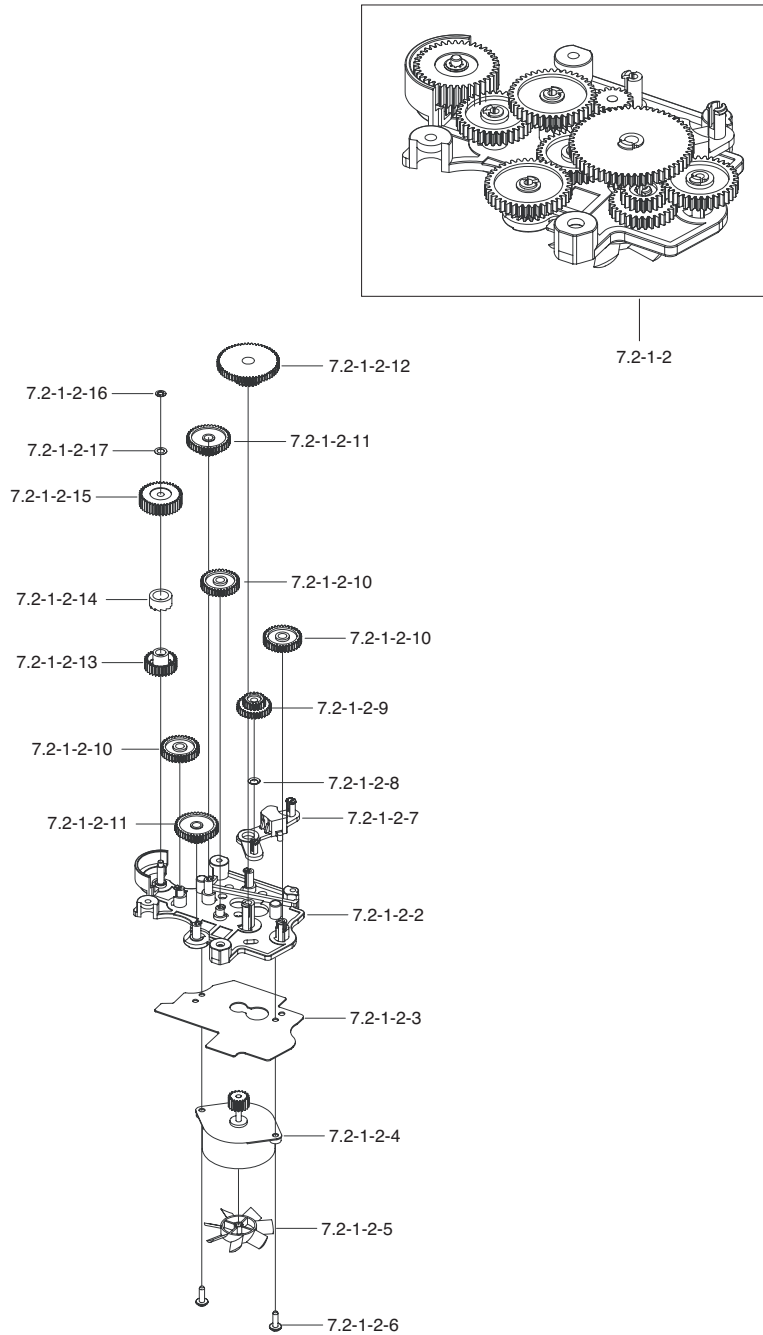
Main Parts List

Drawer#	SEC_Code	Description	QTY	Remark
7.1-26-2	JC97-02210C	MEA UNIT-COVER JAM	1	
7.1-26-2-1	JC63-00654C	COVER-JAM	1	
7.1-26-2-2	JC63-00655A	COVER-M-JAM DUMMY	1	
7.1-27	JC96-04299A	ELA HOU-SCAN	1	SCX-4521F
7.1-27	JC96-04300A	ELA HOU-SCAN	1	SCX-4321
7.1-27-1	JC67-00087A	CAP-M-HINGE	2	
7.1-28	JC97-02239C	MEA UNIT-MP TRAY	1	
7.1-29	3903-000067	CBF-POWER CORD	1	220V
7.1-29	3903-000067	CBF-POWER CORD	1	110V
7.1-30	JC31-00027A	FAN-DC_HUMMINGBIRD	1	
7.1-31	-	CBF LINE CORD	1	
7.1-32	-	CBF INTERFACE-USB	1	

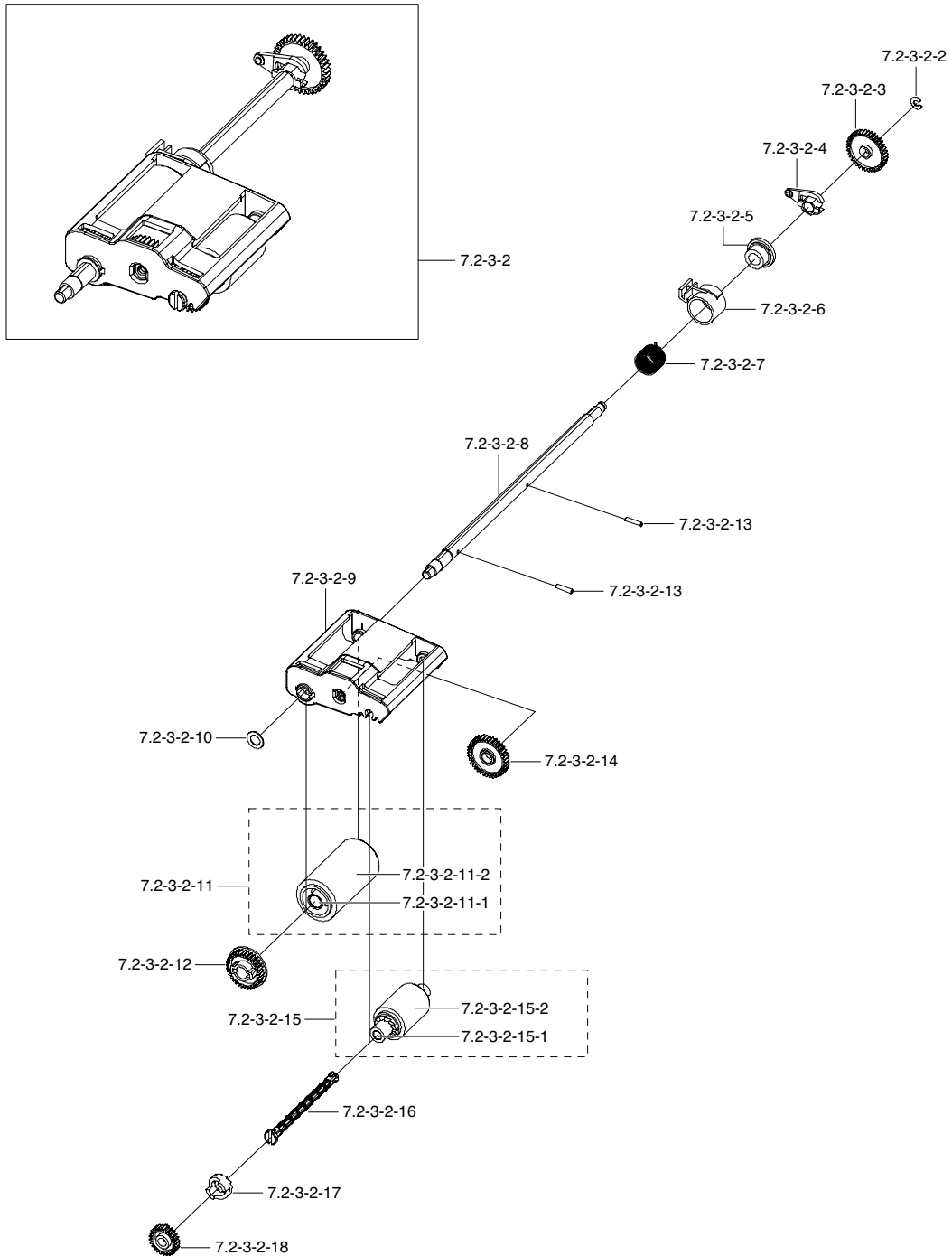
7.2 ADF Assembly Exploded Views



7.2-1-2 ADF Assembly Exploded Views



7.2-3-2 Pick up - Ass'y



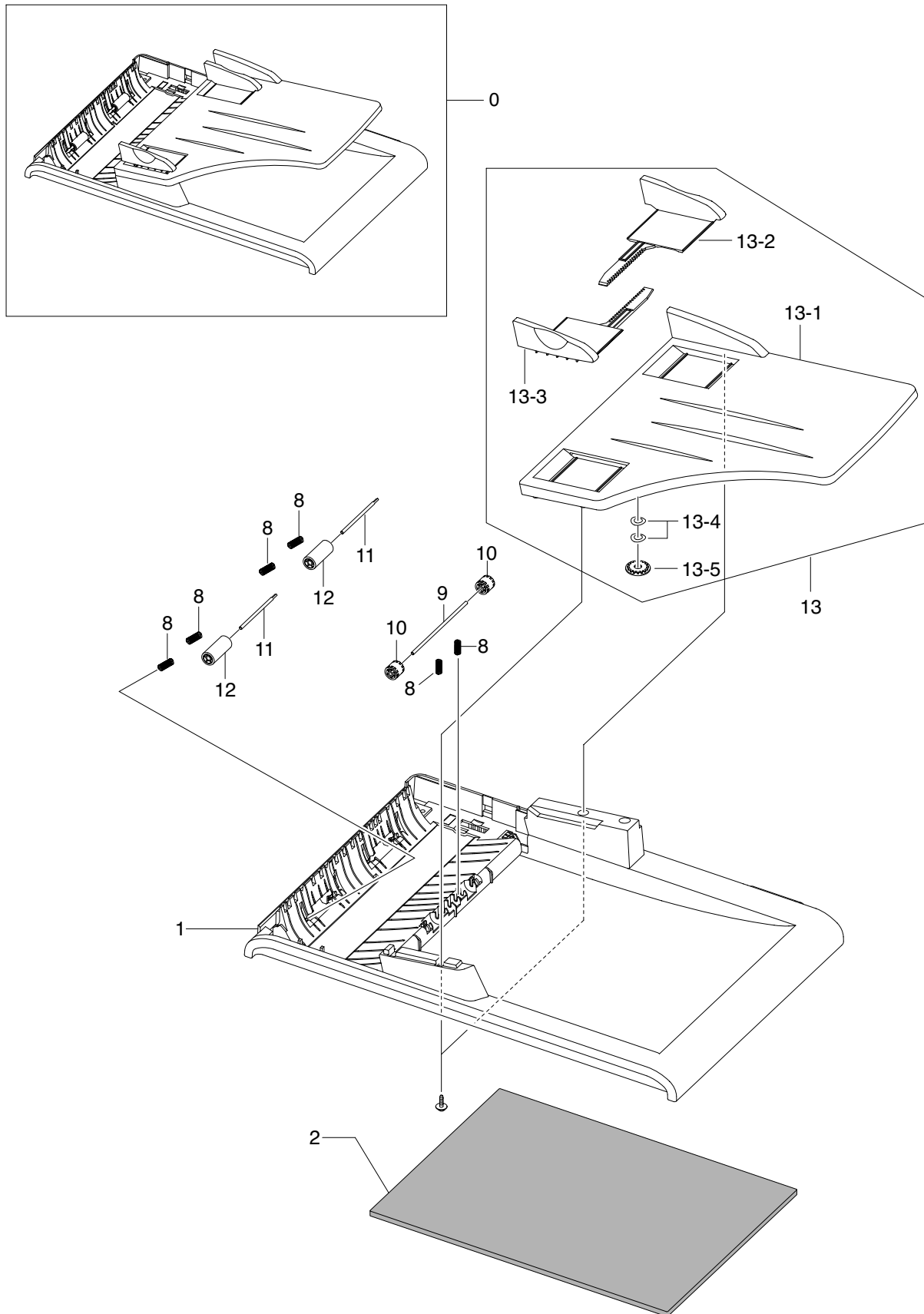
ADF Assembly Parts List

Drawer#	SEC_Code	Description	QTY	Remark
7.2-0	JC96-04232A	ELA HOU-ADF	1	
7.2-1	JC96-03380B	ELA HOU-ADF LOWER	1	
7.2-1-1	JC63-00656C	COVER-ADF LOWER	1	
7.2-1-2	JC96-03379A	ELA HOU-ADF MOTOR	1	
7.2-1-2-2	JC61-01178A	BRACKET-M-GEAR	1	
7.2-1-2-3	JC61-01180A	BRACKET-P-MOTOR	1	
7.2-1-2-4	JC31-00036A	MOTOR STEP-ADF	1	
7.2-1-2-5	JC66-00556A	IMPELLER-ADF	1	
7.2-1-2-6	6003-000196	SCREW-TAPTITE	2	
7.2-1-2-7	JC66-00454A	LINK-M-SWING ADF	1	
7.2-1-2-8	JB70-00070A	IPR-WASHER WAVE	1	
7.2-1-2-9	JC66-00457A	GEAR-SWING 31/20 ADF	1	
7.2-1-2-10	JC66-00458A	GEAR-IDLE 35 ADF	3	
7.2-1-2-11	JC66-00456A	GEAR-40/21 ADF	2	
7.2-1-2-12	JC66-00455A	GEAR-58/25 ADF	1	
7.2-1-2-13	JB66-00101A	GEAR-CLUTCH 29	1	
7.2-1-2-14	JB72-00844A	PMO-WHITE CLUTCH SUB 29	1	
7.2-1-2-15	JC66-00322A	GEAR-CLUTCH 39	1	
7.2-1-2-16	6044-000001	RING-CS	1	
7.2-1-2-17	6031-001051	WASHER-PLAIN	1	
7.2-1-3	JC92-01618A	PBA SUB-ADF	1	
7.2-1-4	JC63-00667A	GROUND-P-ADF	1	
7.2-1-5	JC39-00407A	CBF HARNESS-ADF	1	
7.2-1-6	JC66-00559A	ROLLER-EXIT	1	
7.2-1-7	JB72-00819A	PMO-BUSH	4	
7.2-1-8	JC66-00310A	GEAR-AGITATOR-2	1	
7.2-1-9	6044-000159	RING-C	1	
7.2-1-10	JC72-01011A	PMO-ACTUATOR SCAN SENSOR	1	
7.2-1-11	6107-001135	SPRING-CS	3	
7.2-1-12	JC75-00095A	MEC-BRUSH ANTISTATIC	1	
7.2-1-13	JB61-00076A	SPRING ETC-TORSION DOC (CC2-F)	3	
7.2-1-14	JC61-01179A	PLATE-M_WHITE BAR	1	
7.2-1-15	JC72-01011A	PMO-ACTUATOR SCAN SENSOR	1	
7.2-1-16	JC66-00460A	SHAFT-M-FEED GEAR 38	1	
7.2-1-17	JC72-01010A	PMO-ACTUATOR REGI SENSOR	1	
7.2-1-18	JC66-00560A	ROLLER-DRIVE	1	
7.2-1-19	JC61-00712A	GUIDE-STACKER SUB	1	
7.2-1-20	JC66-00594A	SHAFT-STACKER	2	
7.2-2	JC97-02804A	MEA UNIT-ADF UPPER	1	
7.2-2-1	JC63-00657C	COVER-M_ADF UPPER	1	
7.2-2-2	JC97-01709A	MEA UNIT-HOLDER ADF	1	
7.2-2-2-1	JC61-00694A	HOLDER-M-ADF	1	
7.2-2-2-2	JC63-00243A	SHEET-ADF HOLDER	1	

ADF Assembly Parts List

Drawer#	SEC_Code	Description	QTY	Remark
7.2-2-2-3	JB73-00052A	RMO-ADF RUBBER	1	
7.2-2-2-4	JC61-00387A	SPRING ETC-PAD	1	
7.2-3	JC97-02801A	MEA UNIT-COVER OPEN	1	
7.2-3-1	JC63-00658C	COVER-M_ADF OPEN	1	
7.2-3-2	JC97-02203A	MEA UNIT-PICKUP	1	
7.2-3-2-2	6044-000159	RING-C	1	
7.2-3-2-3	JB66-00103A	GEAR-ADF 38	1	
7.2-3-2-4	JC72-41191A	PMO-BEARING SHAFT	1	
7.2-3-2-5	JB72-00817A	PMO-ADF CLUTCH	1	
7.2-3-2-6	JB72-00821A	PMO-ADF COLAR	1	
7.2-3-2-7	JB61-70904A	SPRING ETC-CLUTCH	1	
7.2-3-2-8	JC66-00839A	SHAFT-M-ADF	1	
7.2-3-2-9	JC72-00734A	PMO-COVER ADF	1	
7.2-3-2-10	6031-000023	WASHER-PLAIN	1	
7.2-3-2-11	JB75-00299A	MEC-ADF ROLLER ASSY	1	
7.2-3-2-11-1	JB72-00822A	PMO-SLEEVE ADF	1	
7.2-3-2-11-2	JB73-00054A	RMO-ADF ROLLER	1	
7.2-3-2-12	JB66-00104A	GEAR-ADF IDLE 34	1	
7.2-3-2-13	JB70-00168A	ICT-PIN ADF	2	
7.2-3-2-14	JB66-00102A	GEAR-PICK UP IDEL 38	1	
7.2-3-2-15	JB75-00300A	MEC-PICK UP ROLLER ASSY	1	
7.2-3-2-15-1	JB72-00823A	PMO-SLEEVE PICK UP	1	
7.2-3-2-15-2	JB73-00055A	RMO-PICKUP ROLLER	1	
7.2-3-2-16	JC72-00744A	PMO-SHAFT PICK UP	1	
7.2-3-2-17	JB72-00845A	PMO-PICK UP CLUTCH SUB	2	
7.2-3-2-18	JB66-00105A	GEAR-PICK UP 26	1	
7.2-3-3	JB72-00819A	PMO-BUSH	1	
7.2-3-4	JB72-00843A	PMO-GUIDE PAPER	1	
7.2-4	JC97-02802A	MEA UNIT-COVER PLATEN	1	

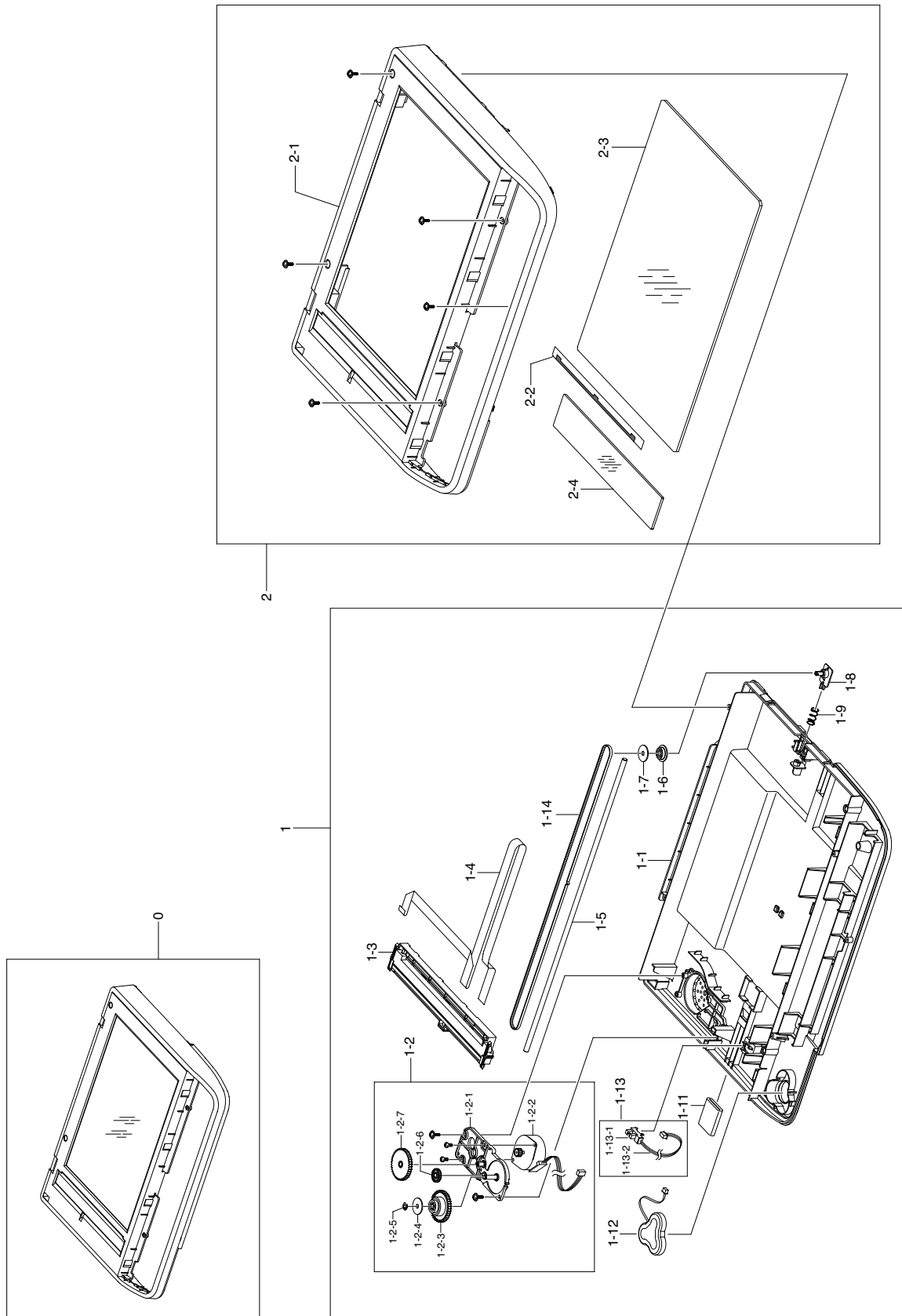
7.3 Platen Cover Assembly Exploded Views



Platen Cover Parts List

Drawer#	SEC_Code	Description	QTY	Remark
7.3-0	JC97-02802A	MEA UNIT-COVER PLATEN	1	
7.3-1	JC63-00659C	COVER-PLATEN	1	
7.3-2	JC63-00209A	SHEET-WHITE SPONGE	1	
7.3-8	JC61-00011A	SPRING ETC-FEED	6	
7.3-9	JF70-40521B	ICT-SHAFT PINCH	1	
7.3-10	JG72-40663A	PMO-ROLL PINCH	2	
7.3-11	JC66-00909A	SHAFT-IDLE FEED	2	
7.3-12	JC73-00091A	RPR-ROLLER EXIT IDLE	2	
7.3-13	JC97-02803A	MEA UNIT-TX STACKER	1	
7.3-13-1	JB72-01166D	PMO-TX STACKER(SEC)	1	
7.3-13-2	JC61-00833C	GUIDE-DOC_R	1	
7.3-13-3	JC61-00834C	GUIDE-DOC_L	1	
7.3-13-4	JF70-10616A	IPR-WASHER SPRING CU	2	
7.3-13-5	JG66-40003A	GEAR-PINION	1	

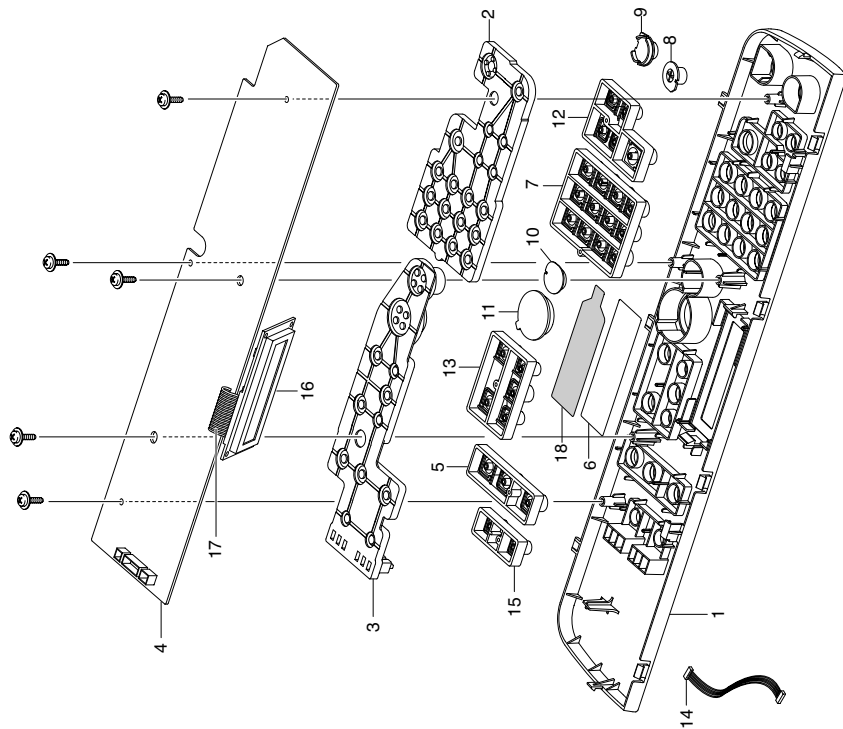
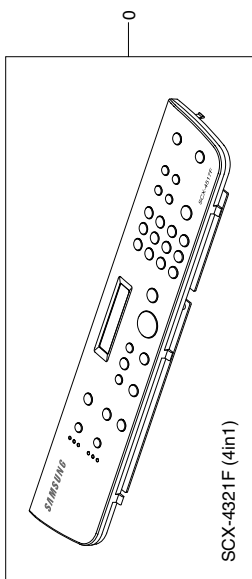
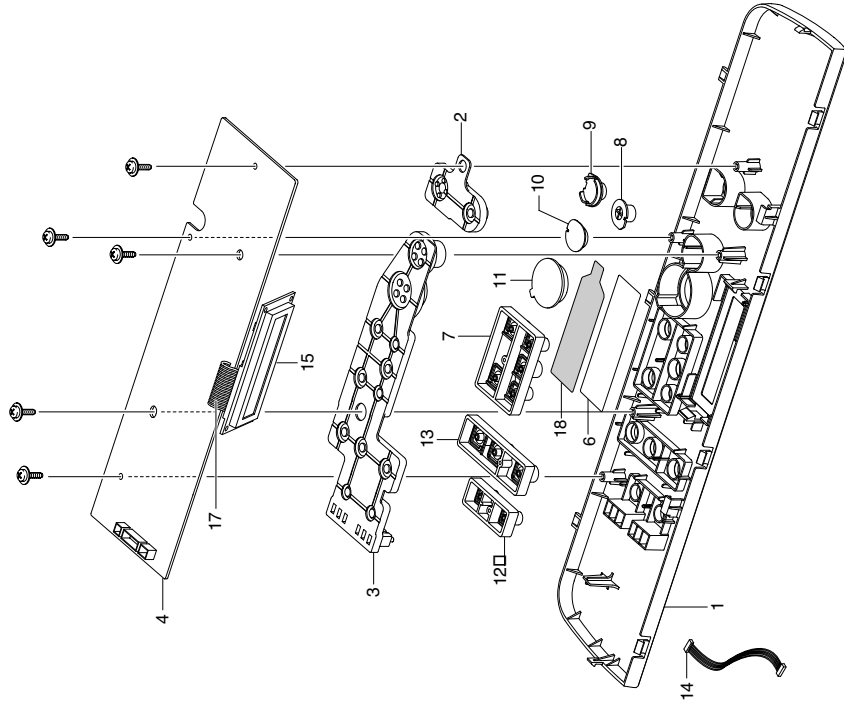
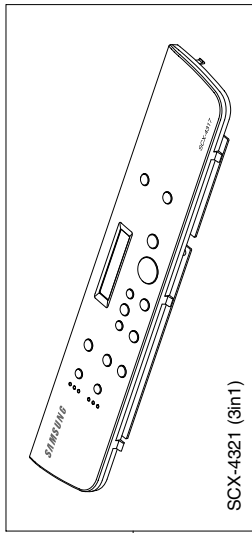
7.4 ADF Platen Assembly Exploded Views



ADF Platen Assembly Parts List

Drawer#	SEC_Code	Description	QTY	Remark
7.4-0	JC96-04235A	ELA HOU-PLATEN	1	
7.4-1	JC96-04236A	ELA HOU-SCAN LOWER	1	
7.4-1-1	JC63-00660B	COVER-SCAN LOWER	1	
7.4-1-2	JC96-02655A	ELA HOU-SCAN MOTOR	1	
7.4-1-2-1	JC61-00698A	BRACKET-M-SCAN MOTOR	1	
7.4-1-2-2	JB31-00011A	MOTOR STEP-SCAN	1	
7.4-1-2-3	JB66-00082A	GEAR-TIMING	1	
7.4-1-2-4	JB72-00764A	PMO-HOLDER BELT	1	
7.4-1-2-5	6044-000125	RING-E	1	
7.4-1-2-6	JB66-00083A	GEAR-IDLE	1	
7.4-1-2-7	JB66-00084A	GEAR-REDUCTION	1	
7.4-1-3	0609-001223	CONTACT IMAGE SENSOR	1	
7.4-1-4	JC39-00408A	CBF SIGNAL-CIS FFC	1	
7.4-1-5	JC66-00838A	SHAFT-CIS	1	
7.4-1-6	JB72-00764A	PMO-HOLDER BELT-1	1	
7.4-1-7	JB72-01136A	PMO-HOLDER BELT-2	1	
7.4-1-8	JB72-00763A	PMO-PULLEY	1	
7.4-1-9	JB61-00109A	SPRING ETC-BELT	1	
7.4-1-11	3301-001742	CORE-FERRITE	1	
7.4-1-12	JB96-01381A	ELA UNIT-CORE	2	
7.4-1-13	JC96-02417A	ELA HOU-FULL SENSOR HARNESS	1	
7.4-1-13-1	0604-001095	PHOTO-INTERRUPTER	1	
7.4-1-13-2	JC39-00215A	CBF HARNESS-JAM_SENSOR	1	
7.4-1-14	6602-001067	BELT-TIMING GEAR	1	
7.4-2	JC97-02805A	MEA UNIT-SCAN UPPER	1	
7.4-2-1	JC63-00661C	COVER-M_SCAN UPPER	1	
7.4-2-2	JB68-00644A	LABEL(P)-SHADING	1	
7.4-2-3	JB01-00001A	GLASS-ADF	1	
7.4-2-4	JB01-00002A	GLASS-PLATEN	1	

7.5 OPE Unit Exploded Views

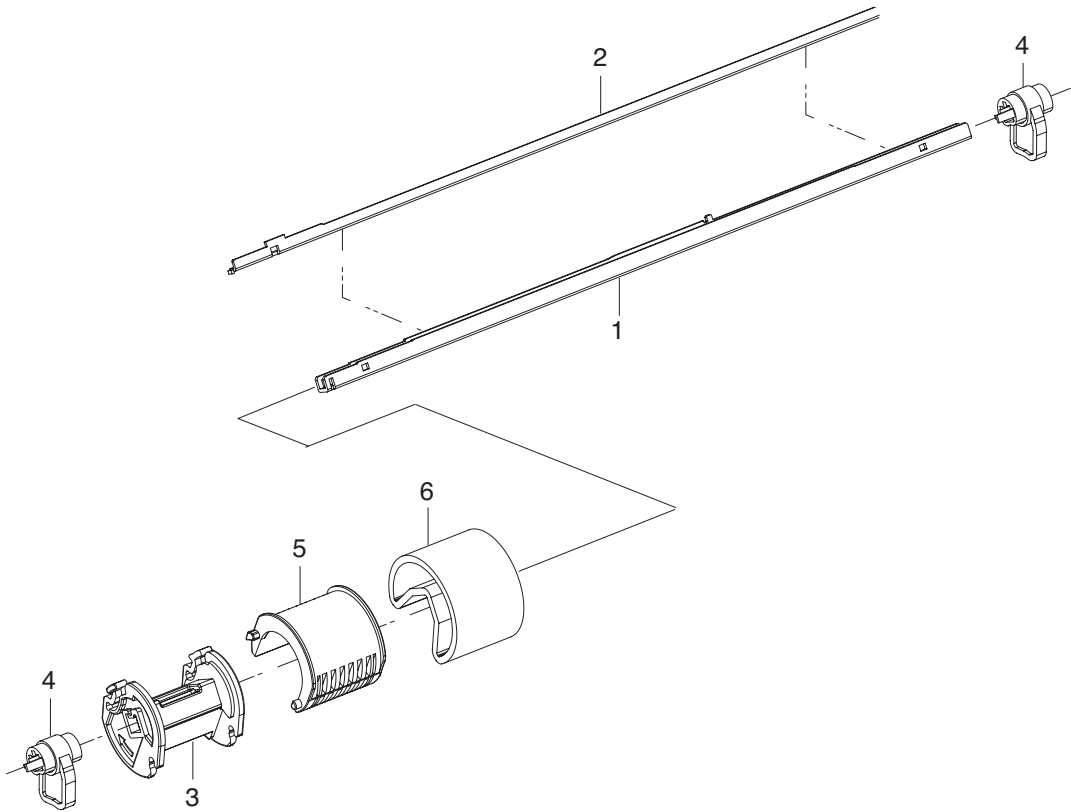
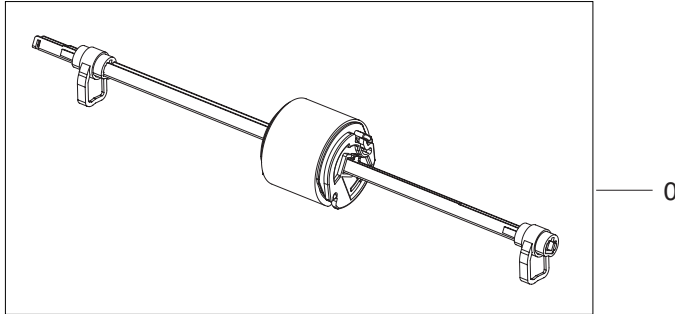


OPE Unit Parts List

Drawer#	SEC_Code	Description	QTY	Remark
7.5-0	JC96-04297J	ELA HOU-OPE	1	SCX-4521F
7.5-1	JC63-01243J	COVER-OPE	1	
7.5-2	JC73-00202A	RUBBER-TEL	1	
7.5-3	JC73-00203A	RUBBER-SCROLL	1	
7.5-4	JC92-01727A	PBA SUB-WHITNEY_OPE	1	
7.5-5	JC64-00054F	KEY-COPY	1	
7.5-6	JC72-00672A	PCT-LCD WINDOW	1	
7.5-7	JC64-00053G	KEY-TEL	1	
7.5-8	JC64-00058A	KEY-M-TONER SAVE	1	
7.5-9	JC64-00157D	KEY-SCAN TO	1	
7.5-10	JC64-00187A	KEY-M-STOP	1	
7.5-11	JC64-00114A	KEY-M_START	1	
7.5-12	JC64-00060F	KEY-FAX	1	
7.5-13	JC64-00056G	KEY-SCROLL	1	
7.5-14	JC39-00412A	CBF HARNESS-OPE	1	
7.5-15	JC64-00059E	KEY-RESOLUTION	1	
7.5-16	JC07-00003A	LCD-DISPLAY	1	
7.5-17	JC39-00306A	CBF HARNESS-LCD	1	
7.5-18	JC63-00076A	COVER-WINDOW SF-530	1	

Drawer#	SEC_Code	Description	QTY	Remark
7.5-0	JC96-04298A	ELA HOU-OPE	1	SCX-4321
7.5-1	JC63-01244A	COVER-OPE	1	
7.5-2	JC73-00204A	RUBBER-TONER	1	
7.5-3	JC73-00203A	RUBBER-SCROLL	1	
7.5-4	JC92-01727B	PBA SUB-WHITNEY_OPE	1	
7.5-6	JC72-00672A	PCT-LCD WINDOW	1	
7.5-7	JC64-00059E	KEY-RESOLUTION	1	
7.5-8	JC64-00058A	KEY-M-TONER SAVE	1	
7.5-9	JC64-00157D	KEY-SCAN TO	1	
7.5-10	JC64-00187A	KEY-M-STOP	1	
7.5-11	JC64-00114A	KEY-M_START	1	
7.5-12	JC64-00056G	KEY-SCROLL	1	
7.5-13	JC64-00054F	KEY-COPY	1	
7.5-14	JC39-00412A	CBF HARNESS-OPE	1	
7.5-16	JC72-00672A	PCT-LCD WINDOW	1	
7.5-17	JC39-00306A	CBF HARNESS-LCD	1	
7.5-18	JC63-00076A	COVER-WINDOW SF-530	1	

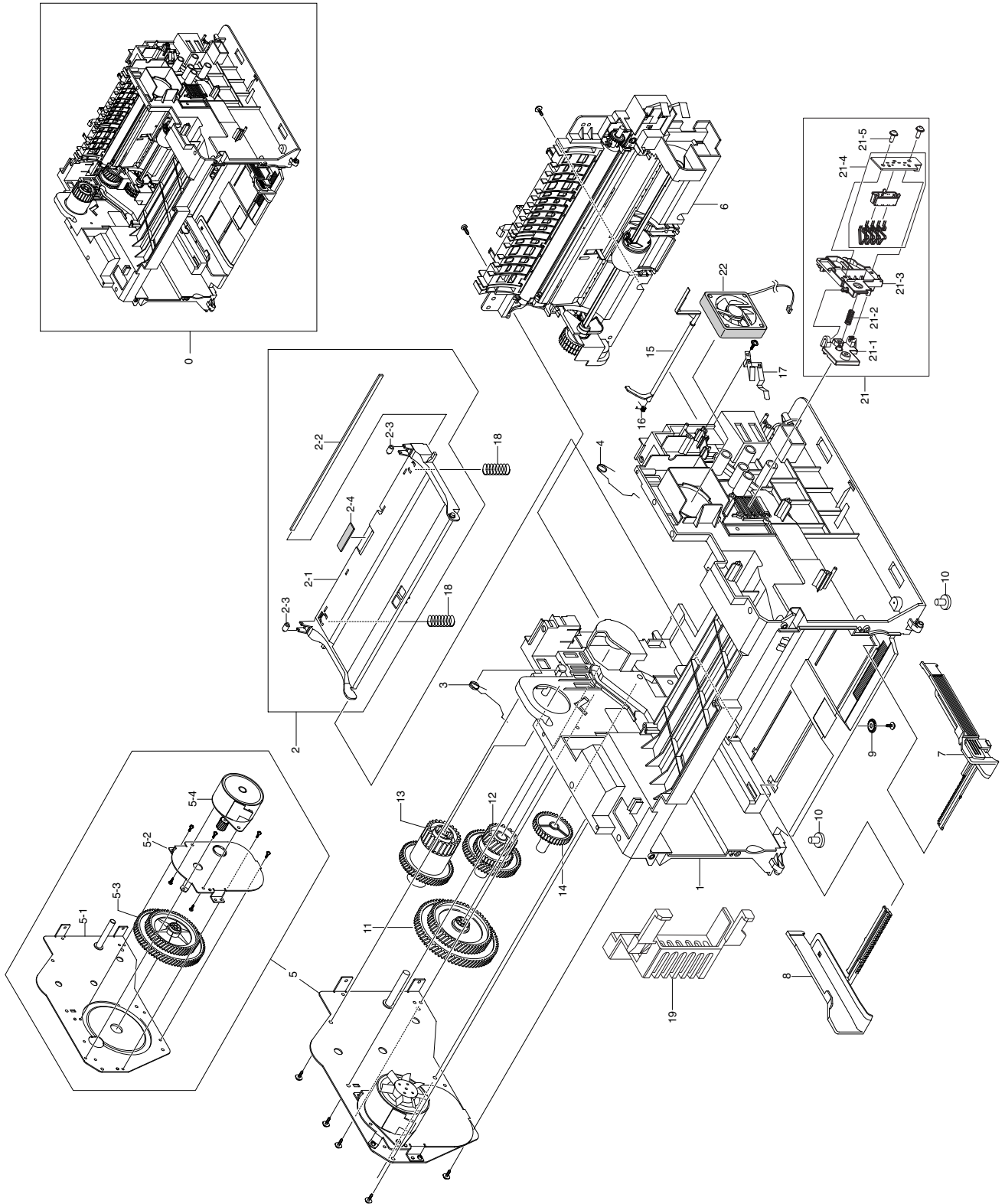
7.6 MP Pick-Up Unit Exploded Views



MP Pick-Up Unit Parts List

Drawer#	SEC_Code	Description	QTY	Remark
7.6-0	not assign	MP PICK_UP	1	
7.6-1	JC66-00829A	SHAFT-P-PICK_UP	1	
7.6-2	JC61-01281A	BRACKET-P-BAR_PICK_UP	1	
7.6-3	JC61-01151A	HOUSING-M-PICK_U	1	
7.6-4	JC66-00811A	CAM-M-PICK_UP	2	
7.6-5	JC61-01173A	HOUSING-M-PICK_UP B	1	
7.6-6	JC73-00211A	RUBBER-PICK_UP	1	

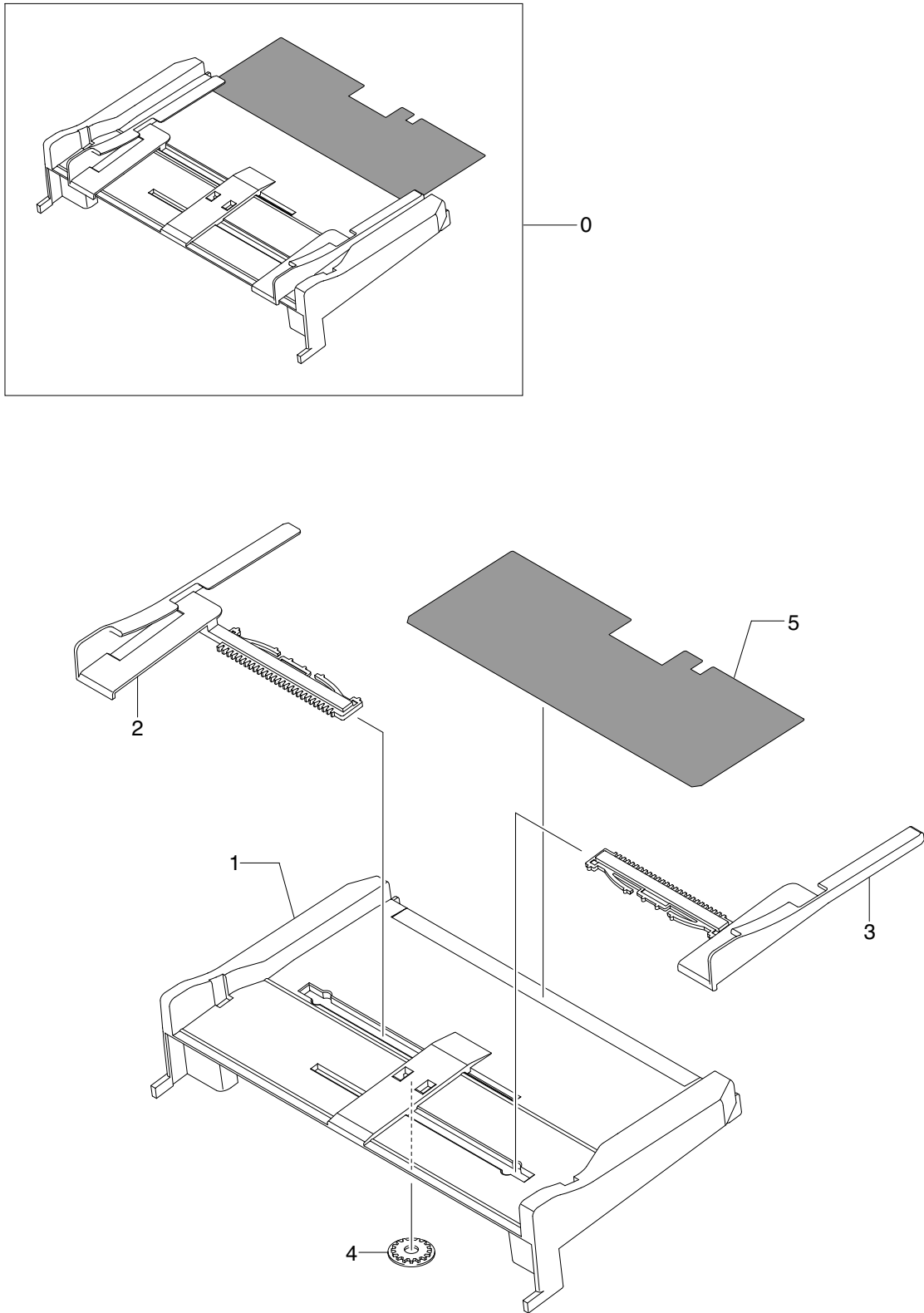
7.7 Main Frame Assembly Exploded Views



Main Frame Assembly Parts List

Drawer#	SEC_Code	Description	QTY	Remark
7.7-0	JC96-03392B	ELA HOU-FRAME_LOWER	1	
7.7-1	JC61-01152A	FRAME-M-BASE	1	
7.7-2	JC97-02218A	MEA UNIT-PLATE KNOCK_UP	1	
7.7-2-1	JC61-01158A	PLATE-M-KNOCK_UP	1	
7.7-2-2	JC66-00720A	SHAFT-P-CORE	1	
7.7-2-3	JC72-01004A	PMO-IDLE KNOCK UP MP	2	
7.7-2-4	JC74-00011A	MPR-PAD KNOCK UP MP	1	
7.7-3	JC61-01258A	SPRING ETC-TORSION DEVE_L	1	
7.7-4	JC61-01259A	SPRING ETC-TORSION DEVE_R	1	
7.7-5	JC96-03592A	ELA UNIT-RX DRIVE	1	
7.7-5-1	JC61-01465A	BRACKET-P-GEAR_SN	1	
7.7-5-2	JC61-01449A	BRACKET-P-MOTOR	1	
7.7-5-3	JC66-00804A	GEAR-RDCN 139/83	1	
7.7-5-4	JC31-00037D	MOTOR STEP-MAIN	1	
7.7-5-5	JC72-00825A	PMO-IMPELLER_DRV	1	
7.7-6	JC97-02327B	MEA UNIT-FRAME PATH	1	
7.7-7	JC70-00500C	ADJUST-CASSETTE_R	1	
7.7-8	JC70-00499C	ADJUST-CASSETTE_L	1	
7.7-9	JG66-40003A	GEAR-PINION	1	
7.7-10	JC61-00836A	FOOT-FRONT	2	
7.7-11	JC66-00805A	GEAR-RDCN 113/83	1	
7.7-12	JC66-00806A	GEAR-OPC DR 76/38/29	1	
7.7-13	JC66-00807A	GEAR-FUSER DR 63/35	1	
7.7-14	JC66-00808A	GEAR-FEED DR 41	1	
7.7-15	JC66-00822A	LEVER-M-ACTUATOR_EMPTY	1	
7.7-16	JB61-00076A	SPRING ETC-TORSION DOC (CC2-F)	1	
7.7-17	JC63-00622A	GROUND-P-OPC	1	
7.7-19	JC67-00110A	CAP-M-MOTOR	1	
7.7-20	6107-001240	SPRING-CS	2	
7.7-21	JC96-03797A	ELA HOU-CRUM	1	
7.7-21-1	JC61-01587A	PLATE-M_HINGE	1	
7.7-21-2	JC61-00011A	SPRING ETC-FEED	1	
7.7-21-3	JC61-01586A	PLATE-M_CRUM	1	
7.7-21-4	JC92-01763A	CRUM_P PBA	1	
7.7-21-5	6003-000282	SCREW-TAPTITE	2	

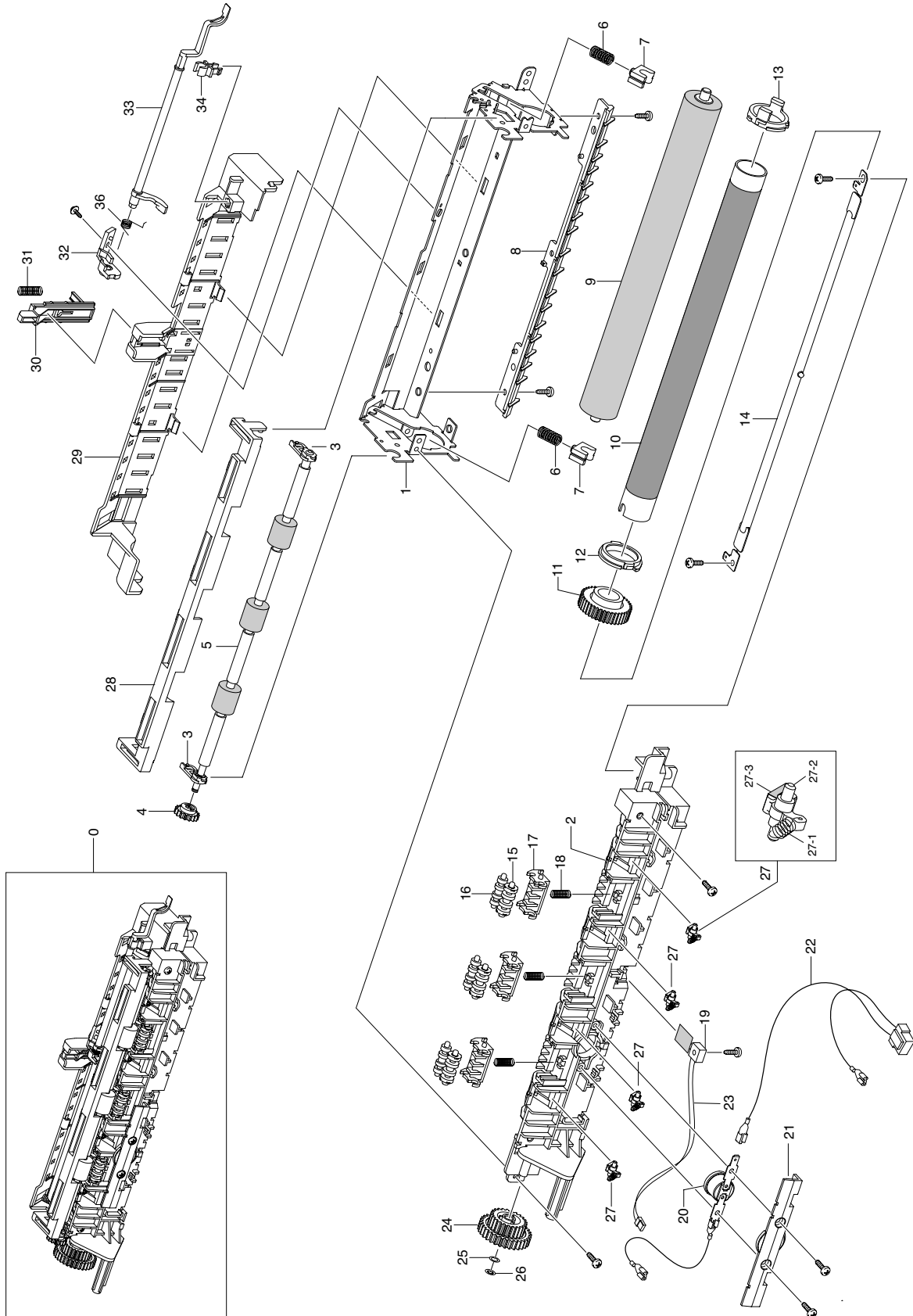
7.8 MP Tray Assembly Exploded Views



MP Tray Assembly Parts List

Drawer#	SEC_Code	Description	QTY	Remark
7.8-0	JC97-02239C	MEA UNIT-MP TRAY	1	
7.8-1	JC61-01263C	PLATE-MP	1	
7.8-2	JC70-00514C	ADJUST-MP L	1	
7.8-3	JC70-00515C	ADJUST-MP R	1	
7.8-4	JG66-40003A	GEAR-PINION	1	
7.8-5	JC63-00711A	SHEET-MP	1	

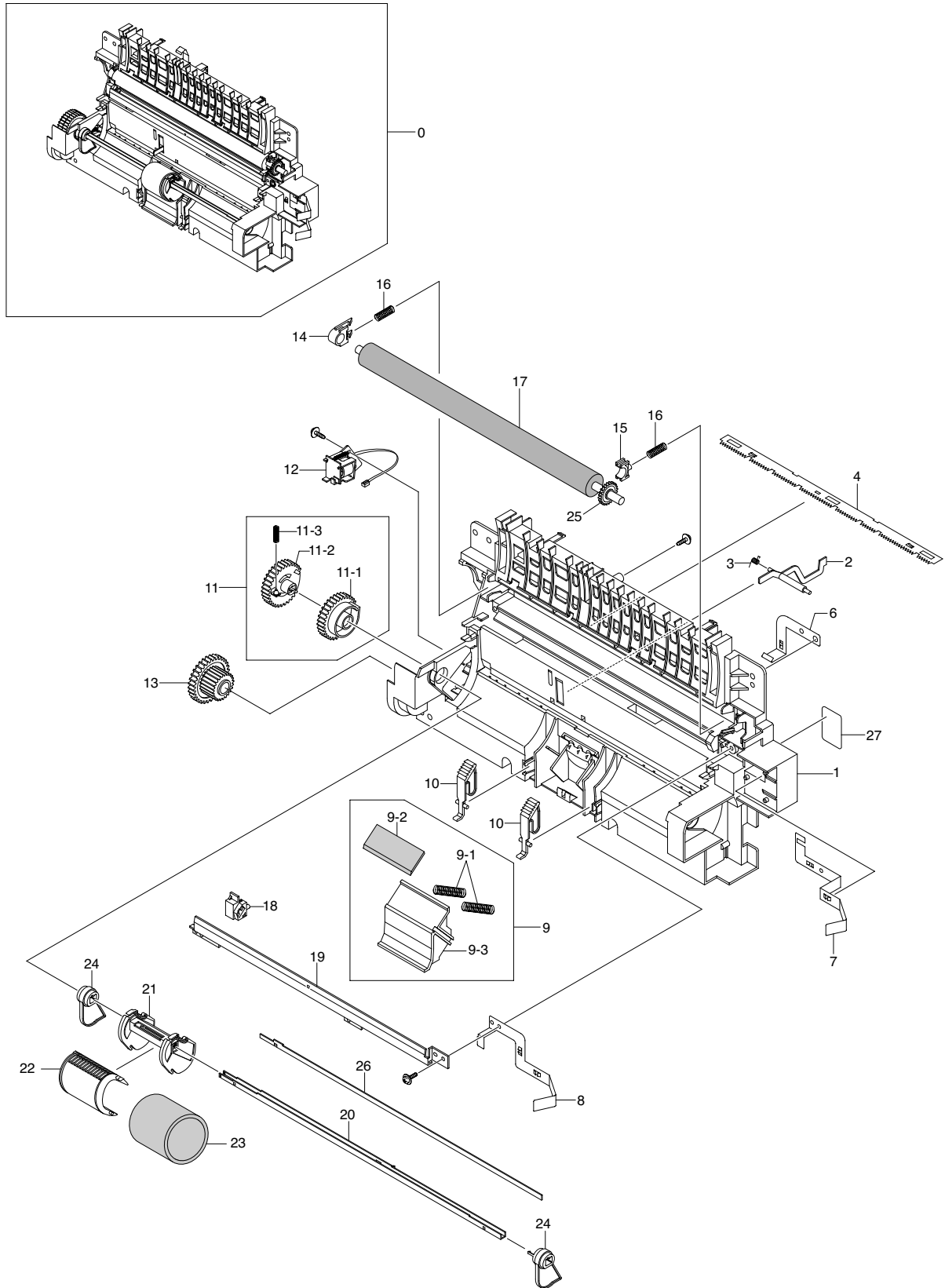
7.9 Fuser Unit Exploded Views



Fuser Unit Parts List

Drawer#	SEC_Code	Description	QTY	Remark
7.9-0	JC96-03415A	ELA HOU-FUSER_220V	1	220V
7.9-0	JC96-03414A	ELA HOU-FUSER_110V	1	110V
7.9-1	JC61-01162A	FRAME-P-FUSER	1	
7.9-2	JC63-00615A	COVER-M_FUSER	1	
7.9-3	JC61-01177A	HOLDER-M-EXIT R	2	
7.9-4	JC66-00810A	GEAR-EXIT_DRV17	1	
7.9-5	JC66-01255A	ROLLER-EXIT F/DOWN	1	
7.9-6	6107-001168	SPRING-CS	2	
7.9-7	JC66-10901A	BUSH	2	
7.9-8	JC61-00595A	GUIDE-M-INPUT	1	
7.9-9	JC66-00600A	ROLLER-PRESSURE	1	
7.9-10	JC66-00601A	ROLLER-HEAT	1	
7.9-11	JC66-00564A	GEAR-FUSER, Z37	1	
7.9-12	JC61-00589A	BUSH-M-HR L	1	
7.9-13	JC61-00590A	BUSH-M-HR R	1	
7.9-14	4713-001202	LAMP-HALOGEN	1	220V
7.9-14	4713-001203	LAMP-HALOGEN	1	110V
7.9-15	JC66-01311A	ROLLER-EXIT_MAIN	3	
7.9-16	JC66-00830A	ROLLER-M_EXIT FR	3	
7.9-17	JC61-01172A	HOLDER-M-EXIT F/DOWN	3	
7.9-18	6107-001163	SPRING-CS	3	
7.9-19	1404-001337	THERMISTOR-NTC	1	
7.9-20	JC47-00005B	THERMOSTAT-150	1	
7.9-21	JC67-00085A	CAP-M-THERMO	1	
7.9-22	JC39-00403B	CBF HARNESS-FUSER(220V)	1	220V
7.9-22	JC39-00403A	CBF HARNESS-FUSER(110V)	1	110V
7.9-23	JC39-00045A	CBF HARNESS-THERMISTOR	1	
7.9-24	JC66-00801A	GEAR-EXIT_DRV38/25	1	
7.9-25	6031-001051	WASHER-PLAIN	1	
7.9-26	6044-000001	RING-CS	1	
7.9-27	Not assign	CLAW	4	
7.9-27-1	JC61-00064A	SPRING ETC-CLAW	4	
7.9-27-2	JC61-00584A	HOLDER-M-PLATE CLAW	4	
7.9-27-3	JC61-00605A	PLATE-P-CLAW	4	
7.9-28	JC63-00666A	COVER-M-GUIDE EXIT	1	
7.9-29	JC63-00668A	COVER-M-SAFETY FUSER	1	
7.9-30	JC66-00816A	LEVER-M-ACTUATOR JAM	1	
7.9-31	JC61-00049A	SPRING ETC-TR(KOR)	1	
7.9-32	JC61-01268A	HOLDER-M_ACTUATOR	1	
7.9-33	JC66-00906A	LEVER-M_ACT EXIT	1	
7.9-34	JG72-40744A	PMO-BUSHING TX(B4)	1	
7.9-36	JB61-00076A	SPRING ETC-TORSION DOC (CC2-F)	1	

7.10 Paper Path Assembly Exploded Views



Paper Path Assembly Parts List

Drawer#	SEC_Code	Description	QTY	Remark
7.10-0	JC97-02327B	MEA UNIT-FRAME PATH	1	
7.10-1	JC61-01161A	GUIDE-M-PAPER PATH	1	
7.10-2	JC66-00814A	LEVER-ACTUATOR FEED SENSOR	1	
7.10-3	JB61-00107A	SPRING ETC-LEVER SENSOR	1	
7.10-4	JC70-10232A	IPR-PLATE SAW	1	
7.10-6	JC63-00626A	GROUND-P-SAW	1	
7.10-7	JC63-00623A	GROUND-P-THV	1	
7.10-8	JC63-00625A	GROUND-P-VARISTOR	1	
7.10-9	JC97-02217A	MEA UNIT-HOLDER_PAD	1	
7.10-9-1	JC61-70911A	SPRING ETC-EXIT ROLL FD	2	
7.10-9-2	JC69-00846A	PAD-FRICTION	1	
7.10-9-3	JC61-01169A	HOLDER-M-PAD	1	
7.10-10	JC66-00815A	LEVER-M-KICKER P/U	2	
7.10-11	JC97-02179A	MEA UNIT-PICK UP GEAR	1	
7.10-11-1	JC66-00803A	GEAR-PICK_UP B	1	
7.10-11-2	JC66-00802A	GEAR-PICK_UP A	1	
7.10-11-3	6107-001167	SPRING-CS	1	
7.10-12	JC33-00019A	SOLENOID-PICKUP	1	
7.10-13	JC66-00809A	GEAR-FEED 35/19	1	
7.10-14	JC61-00588A	BUSH-M-TR L	1	
7.10-15	JC72-00102A	PMO-BUSHING_TR(L)	1	
7.10-16	JC61-70940A	SPRING ETC-TR(12)	2	
7.10-17	JC66-00725A	ROLLER-TRANSFER	1	
7.10-18	JC61-00583A	HOLDER-PTL	1	
7.10-19	JC70-00307A	IPR-P-EARTH TRANSFER	1	
7.10-20	JC66-00829A	SHAFT-P-PICK_UP	1	
7.10-21	JC61-01151A	HOUSING-M-PICK_U	1	
7.10-22	JC61-01173A	HOUSING-M-PICK_UP B	1	
7.10-23	JC73-00211A	RUBBER-PICK_UP	1	
7.10-24	JC66-00811A	CAM-M-PICK_UP	2	
7.10-25	JC66-00813A	GEAR-TRANSFER	1	
7.10-26	JC61-01281A	BRACKET-P-BAR_PICK_UP	1	
7.10-27	JC63-00873A	SHEET-PATH	1	