

## DIGITAL COPIER

### AL-1340

### AL-1451

### MODEL AL-1551

#### CONTENTS

- |    |                                      |    |   |
|----|--------------------------------------|----|---|
| 1  | Exteriors 1                          | 20 | Single manual paper feeding cover unit (AL-1340/1451) |
| 2  | Original cover unit (AL-1340)        | 21 | Multi manual paper feeding cover unit (AL-1551)       |
| 3  | RSPF exteriors (AL-1551)             | 22 | Single manual paper feeding unit (AL-1340/1451)       |
| 4  | RSPF transport unit (AL-1551)        | 23 | Multi manual paper feeding unit (AL-1551)             |
| 5  | SPF exteriors (AL-1451)              | 24 | Socket holder unit                                    |
| 6  | SPF transport unit (AL-1451)         | 25 | TC case unit  |
| 7  | RSPF SPF pick up unit (AL-1451/1551) | 26 | 250 sheets tray                                       |
| 8  | Operation panel                      | 27 | Harness   |
| 9  | Side door unit                       | 28 | 2ND frame unit (AL-1551)                              |
| 10 | Optical frame 1                      | 29 | 2ND paper feeding unit (AL-1551)                      |
| 11 | Optical frame 2                      | 30 | Packing material & accessories                        |
| 12 | Mirror holder unit                   | 31 | Operation PWB   |
| 13 | LSU unit                             | 32 | MCU PWB   |
| 14 | Delivery paper guide unit            | 33 | GDI PWB   |
| 15 | Middle frame                         | 34 | GDI Memory PWB (6MB)                                  |
| 16 | Base plate unit 1                    | 35 | DC power supply PWB                                   |
| 17 | Base plate unit 2                    |    | ■ Index   |
| 18 | Fusing unit                          |    |   |
| 19 | Drive unit                           |    |   |

## DEFINITION

The definition of each Rank is as follows and also noted in the list

- A: Parts necessary to be stocked as High usage parts.
- B: Parts necessary to be stocked as Standard usage parts.
- C: Low usage parts.
- D: Parts necessary for refurbish.
- E: Unit parts recommended to be stocked for efficient after sales service.  
Please note that the lead time for the said parts may be longer than normal parts.
- S: Consumable parts.

Please note that the following parts used in Copier under the same description are classified into A or B Rank depending upon the place used.

Example: Gear made of Metal, Sprocket, Bearing, Belt made of Rubber, Spring clutch mechanism.

ARank : The parts which may be with the revolution or loading.

BRank : Parts similar to A Rank parts, but are not included in Rank A.

Because parts marked with "△" is indispensable for the machine safety maintenance and operation, it must be replaced with the parts specific to the product specification.

- Other than this Parts Guide, please refer to documents Service Manual(including Circuit Diagram)of this model.
- Please use the 13 digit code described in the right hand corner of front cover of the document, when you place an order.
- For U.S. only-Use order codes provided in advertising literature. Do not order from parts department.

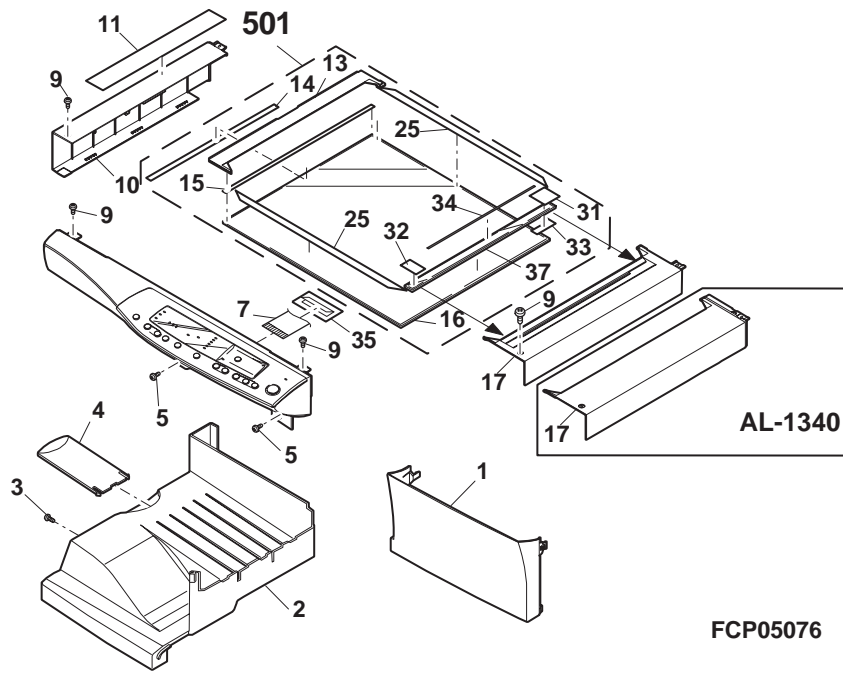
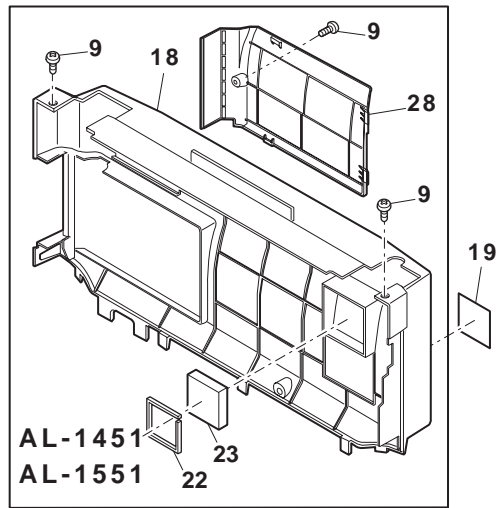
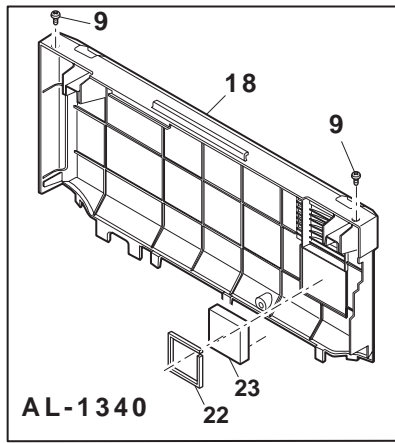
### 1 Exteriors

NO.	PARTS CODE	PRICE RANK	NEW MARK	PART RANK	DESCRIPTION
1	CCAB-0003QS01	AR		D	Front cover
2	LSOU-0001QSZZ	AW		D	Delivery tray
3	XEBSE30P08000	AA		C	Screw(3×8)
4	LSOU-0008QSZZ	AH		D	Extension tray
5	XEBSE40P12000	AA		C	Screw(4×12)
7	DHAI-0168QSZZ	AK		C	OP harness (AL-1551)
	DHAI-0040QSZZ	AK		C	OP harness (AL-1340/1451)
9	XBBSE30P08000	AA		C	Screw(3×8)
10	GCAB-0005QSZZ	AN		D	Left exterior
11	TLABH0056QSZ1	AG		C	Operation instruction label
13	CFIX-0003QS02	AN		D	Glass fixing plate
14	PSHEZ0026QSZZ	AE		C	Shading sheet
15	PSHEZ0027QSZZ	AC		C	Table glass fixing sheet
16	PGLSP0001QSZZ	AX		B	Table glass
17	GCAB-0006QSZZ	AN		D	Right exterior (AL-1340)
	GCAB-0010QSZ1	AL		D	Right exterior SPF (AL-1451/1551)
18	GCAB-0004QSZZ	AX		D	Rear exterior (AL-1340)
	GCAB-0026QSZZ	AZ		D	Rear exterior SPF (AL-1451/1551)
19	TCAUA0770FCZZ	AB		D	Service caution label
22	PMLT-0024QSZZ	AC		C	Fan cushion
23	PFILZ0002QSZZ	AL		D	Ozone filter
25	PSHEZ0079QSZZ	AD		C	Table glass sheet
28	PCOVP0040QSZZ	AN		D	Rear exterior cover SPF (AL-1451/1551)
31	PSHEZ0093QSZZ	AC		C	Slit glass sheet R (AL-1451/1551)
32	PSHEZ0094QSZZ	AC		C	Slit glass sheet F (AL-1451/1551)
33	PSHEZ0095QSZZ	AD		C	SPF shading sheet (AL-1451/1551)
34	PTPE-0010QSZZ	AC		C	Slit glass tape (AL-1451/1551)
35	PSHEZ0141QSZZ	AC		C	Core holding mylar
37	PGLSP0002QSZZ	AU		B	SPF slit glass (AL-1451/1551)
501	CFIX-0003QS52	BA		E	Table unit (AL-1340)
	CFIX-0003RS59	BB		E	Table unit (AL-1451/1551)

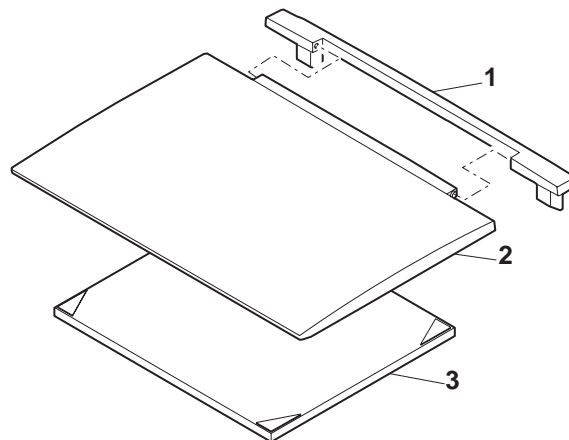
### 2 Original cover unit(AL-1340)

NO.	PARTS CODE	PRICE RANK	NEW MARK	PART RANK	DESCRIPTION
1	GCOVH0003QSZZ	AM		D	OC cover S
2	GCOVH0004QSZZ	AX		D	OC cover M
3	PSHEZ0034QSZ1	AV		D	OC mat
	(Unit)				
901	CCOVH0004RS51	BC		E	OC cover unit

1 Exteriors



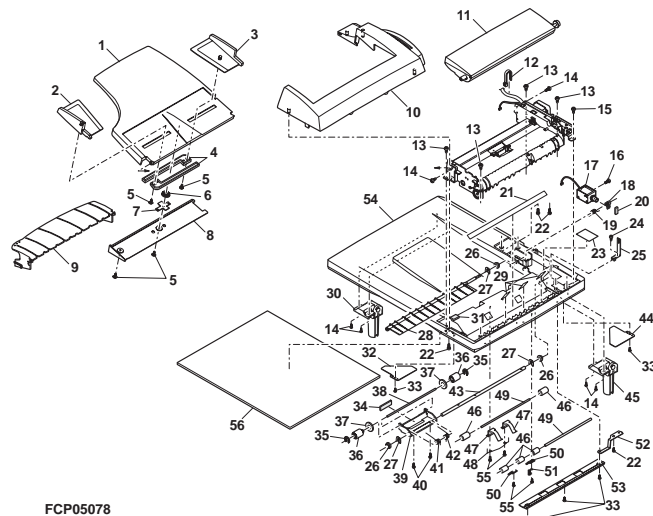
2 Original cover unit(AL-1340)



### 3 RSPF exteriors(AL-1551)

NO.	PARTS CODE	PRICE RANK	NEW MARK	PART RANK	DESCRIPTION
1	LSOU-0004QSZZ	AX		D	Original tray
2	LPLTP0011QSZZ	AH		C	Control plate F
3	LPLTP0012QSZZ	AH		C	Control plate R
4	NGERR0377FCZZ	AD		C	Manual feeding rack gear
5	XEPSD30P08X00	AA		C	Screw(3x8X)
6	NGERH0193FCZZ	AB		C	Manual feeding gear
7	MSPRP0059QSZZ	AD		C	Control plate spring
8	PCOVP0036QSZZ	AK		D	Rack cover
9	LSOU-0006QSZZ	AL		D	Middle tray
10	PCOVP0022QSZZ	AR		C	Upper cover
11	CFRM-0011RS55	BF		E	SPF pick up unit
12	LBNDJ0013FCZ1	AA		C	Wire band
13	XEBSE40P12000	AA		C	Screw(4x12)
14	XEBSE40P14000	AA		C	Screw(4x14)
15	XHBSE30P10000	AA		C	Screw(3x10)
16	XBPSD30P06KS0	AA		C	Screw(3x6KS)
17	RPLU-0005QSZZ	AQ		B	Gate solenoid
18	MLEVP0036QSZZ	AD		C	Delivery gate lever
19	MSPRD0126QSZ1	AC		C	Delivery gate spring
20	PSPO-0004QSZZ	AB		C	Delivery gate sponge
21	PSHEP0038QSZZ	AE		C	Base tray sheet
22	XEBSE30P14000	AA		C	Screw(3x14)
23	PSHEZ0151QSZZ	AD		C	Motor sheet DSPF
24	XBPSD30P08KS0	AA		C	Screw(3x8KS)
25	MLEVF0041QSZZ	AD		C	Lever
26	NBRGM5006BCZZ	AB		C	Metal D(B-F6-7)
27	PRNGP0090FCZZ	AA		C	Ring(E5)
28	LPLTP0014QSZZ	AK		C	Delivery gate
29	PSHEZ0068QSZZ	AC		C	PS sheet
30	MHNG-0005QSZZ	AY		C	DSPF hinge L
31	PCUSS0016QSZZ	AB		C	Middle tray cushion
32	PSHEZ0119QSZZ	AE		C	OC mat sheet DF
33	LX-BZ0016QSZZ	AC		C	Screw(3x8)
34	PSPO-0003QSZZ	AC		C	Sponge
35	XRESP20-04000	AA		C	E-ring
36	NROLP0011QSZZ	AD		C	Delivery roller
37	PSPO-0001QSZZ	AB		C	Sponge
38	NSFTZ0013QSZZ	AF		C	Delivery shaft
39	LPLTP0041QSZZ	AE		C	Pressure plate
40	XBPSD30P10KS0	AB		C	Screw(3x10KS)
41	MSPRD0070QSZZ	AC		C	Delivery spring B
42	MSPRD0069QSZZ	AC		C	Delivery spring A
43	NSFTZ0014QSZZ	AP		C	shaft
44	PSHEZ0118QSZZ	AE		C	OC mat sheet DR
45	MHNG-0006QSZZ	AY		C	DSPF hinge R
46	NROLP0010QSZZ	AD		C	Transport roller
47	MSPRP0052QSZZ	AD		C	Delivery spring
48	MSPRD0154QSZZ	AD		C	Delivery earth spring
49	NSFTZ0009QSZZ	AE		C	Transport shaft
50	MSPRP0060QSZZ	AD		C	Transport spring
51	MSPRC0149QSZZ	AC		C	PS earth spring SPF
52	LPLTM0122QSZZ	AD		C	Support plate earth
53	LPLTM0096QSZZ	AF		C	Base tray reinforce plate
54	LSOU-0007QSZZ	BC		D	Base tray R
55	XEBSD30P08000	AA		C	Screw(3x8)
56	PCUSS0010QSZ1	AV		D	OC mat

### 3 RSPF exteriors(AL-1551)

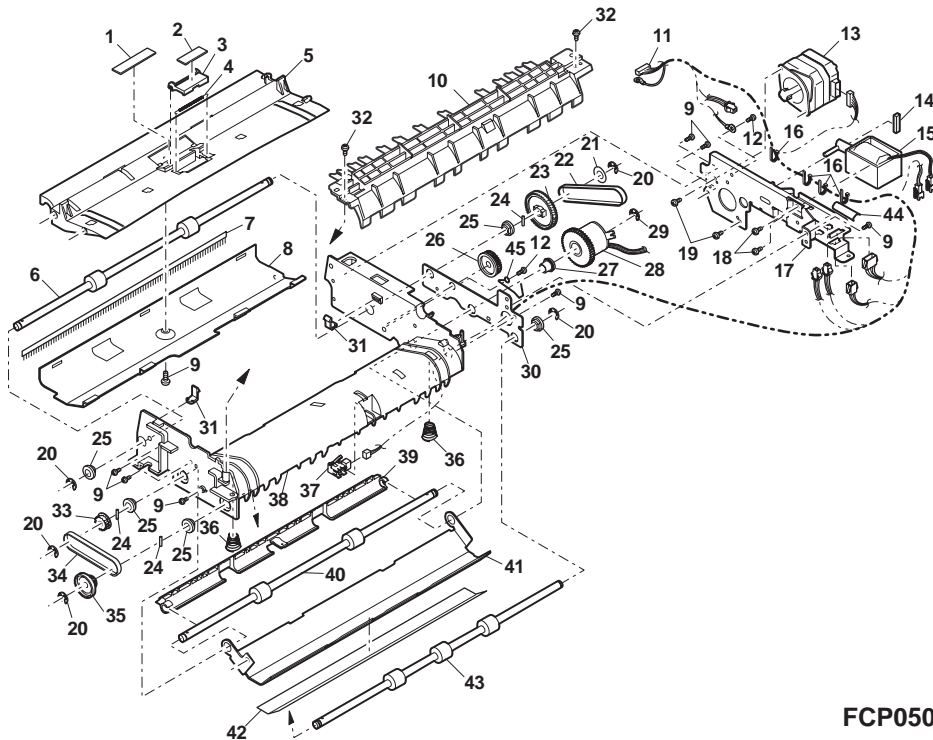


FCP05078

#### 4 RSPF transport unit(AL-1551)

NO.	PARTS CODE	PRICE RANK	NEW MARK	PART RANK	DESCRIPTION
1	PSHEZ2174FCZZ	AB		C	Paper feeding sheet
2	PSHEZ0039QSZZ	AG		C	Sheet
3	LPLTP0013QSZZ	AD		C	Plate
4	MSPRC0062QSZZ	AC		C	Pressure spring
5	PGIDM0022QSZZ	AN		C	Paper feeding paper guide upper
6	NROLM0027QSZZ	AP		C	Delivery roller R
7	PBRSR0003QSZ1	AK		B	Discharge brush
8	PGIDH0028QSZZ	AK		C	Paper feeding paper guide lower
9	XEBSD30P08000	AA		C	Screw(3x8)
10	PGIDM0057QSZZ	AL		C	U-turn R paper guide
11	DHAI-0147QSZZ	AW		C	SPF interface harness R
12	XHBSE30P06000	AA		C	Screw(3x6)
13	RMOTP0013QSZZ	BB		B	SPF motor
14	PSPO-0004QSZZ	AB		C	Delivery gate sponge
15	RPLU-0015QSZZ	AS		B	Solenoid
16	LBNDJ0013FCZ1	AA		C	Wire band
17	LFRM-0015QSZZ	AK		C	Drive frame R
18	XBBS30P04000	AA		C	Screw(3x4)
19	XBPSD30P05K00	AA		C	Screw(3x5K)
20	XRESP50-06000	AA		C	E-ring
21	PSHEP3029FCZZ	AA		C	Flange sheet DUP2
22	NBLTT0011QSZZ	AG		B	Belt(85MXL4.8)
23	NGERH0047QSZZ	AF		C	Gear(48T/15T)
24	XPSSP20-09000	AA		C	Spring pin(φ2-9)
25	NBRGM0501FCZZ	AB		C	Metal D
26	NGERH0079QSZZ	AD		C	Gear(30T)
27	NBRGC0017QSZZ	AC		C	Bearing(F6-10)
28	PCLC-0002QSZZ	AV		B	Transport clutch
29	XRESP40-06000	AA		C	E-ring
30	LFRM-0014QSZZ	AE		C	Frame RD
31	MSPRP0065QSZZ	AD		C	Open and shut lock spring
32	XEBSD30P12000	AA		C	Screw(3x12)
33	NPLYZ0146FCZZ	AB		C	22MXL pulley(22MXL)
34	NBLTT0010QSZZ	AG		B	Belt(74MXL4.8)
35	JKNBZ0004QSZZ	AD		C	JAM release knob
36	MSPRC0063QSZZ	AB		C	Delivery paper guide spring
37	RDTCT0004QSZZ	AL		B	Inlet detect sensor
38	PGIDM0021QSZZ	AQ		C	Transport R paper guide
39	LPLTP0015QSZZ	AH		C	Turnover gate
40	NROLM0026QSZZ	AQ		C	Transport roller
41	PGIDH0027QSZZ	AK		C	Delivery R paper guide
42	PSHEZ0164QSZZ	AF		C	White sheet
43	NROLM0022QSZZ	AP		C	PS roller
44	PSHEZ0162QSZZ	AB		C	Harness protection sheet R
45	MSPRD0163QSZZ	AC		C	Earth spring

#### 4 RSPF transport unit(AL-1551)

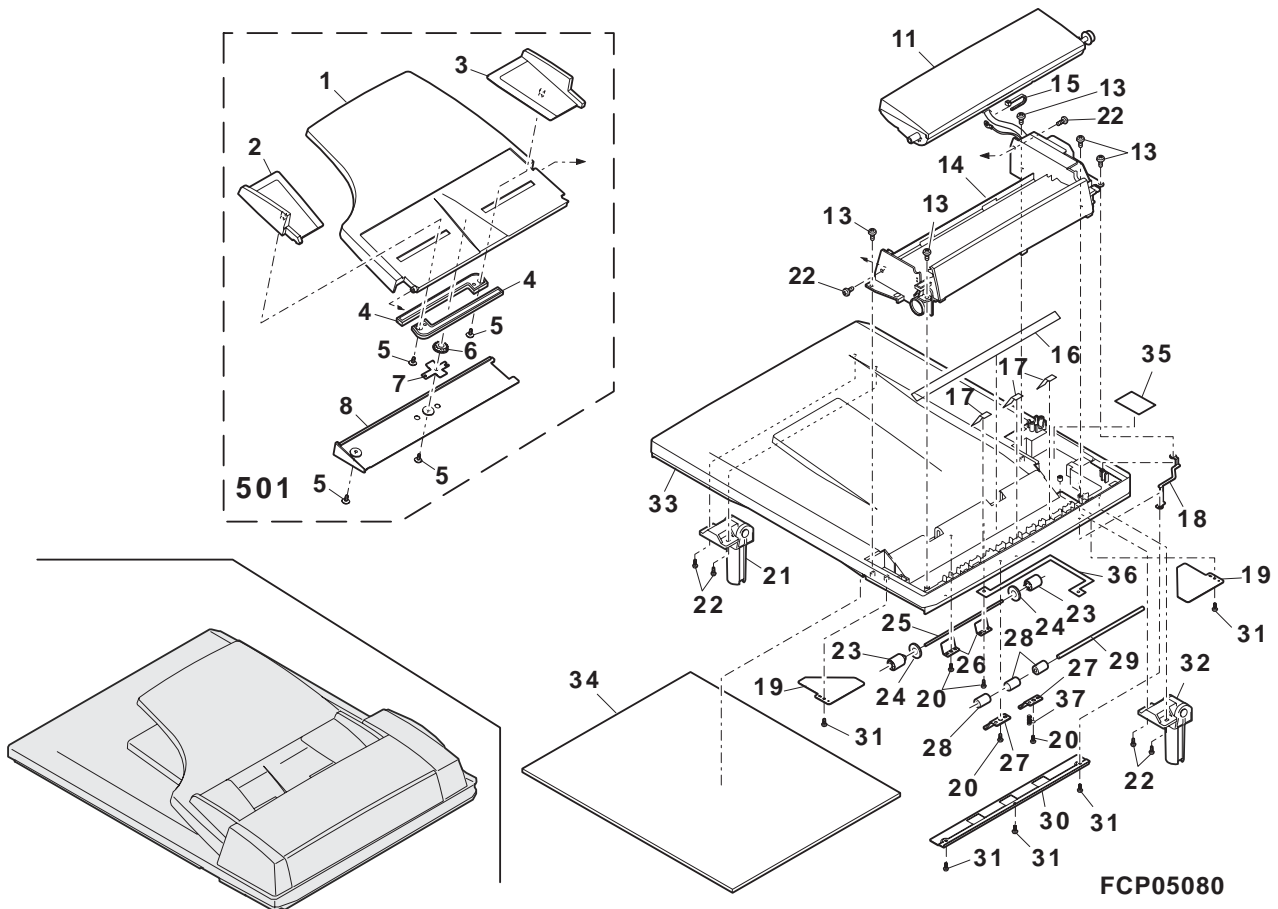


FCP05079

5 SPF exteriors(AL-1451)

NO.	PARTS CODE	PRICE RANK	NEW MARK	PART RANK	DESCRIPTION
1	L SOU-0004QSZZ	AX		D	Original tray
2	L PLTP0011QSZZ	AH		C	Control plate F
3	L PLTP0012QSZZ	AH		C	Control plate R
4	NGERR0377FCZZ	AD		C	Manual feeding rack gear
5	XEPSD30P08X00	AA		C	Screw(3×8X)
6	NGERH0193FCZZ	AB		C	Manual feeding gear
7	MSPRP0059QSZZ	AD		C	Control plate spring
8	PCOVP0036QSZZ	AK		D	Rack cover
11	CFRM-0011RS51	BF		E	SPF pick up unit
13	XEBSD40P10000	AA		C	Screw(4×10)
14	CFRM-0013QS51	BS		E	SPF transport unit
15	LBNDJ0013FCZ1	AA		C	Wire band
16	PSHEP0038QSZZ	AE		C	Base tray sheet
17	PSHEP0063QSZZ	AC		C	Transport sheet
18	MSPRP0113QSZ1	AD		C	Earth spring
19	PSHEP0037QSZ1	AE		C	OC sheet
20	XEBSD30P08000	AA		C	Screw(3×8)
21	MHNG-0003QSZZ	AX		C	SPF hinge L
22	XEBSE40P14000	AA		C	Screw(4×14)
23	NROLP0011QSZZ	AD		C	Delivery roller
24	PSPO-0001QSZZ	AB		C	Sponge
25	NSFTZ0010QSZZ	AE		C	Delivery shaft
26	MSPRT0061QSZZ	AC		C	Delivery spring
27	MSPRP0060QSZZ	AD		C	Transport spring
28	NROLP0010QSZZ	AD		C	Transport roller
29	NSFTZ0009QSZZ	AE		C	Transport shaft
30	L PLTM0096QSZZ	AF		C	Base tray reinforce plate
31	LX-BZ0016QSZZ	AC		C	Screw(3×8)
32	MHNG-0004QSZZ	AX		C	SPF hinge R
33	L SOU-0005QSZZ	BB		D	Base tray
34	PCUSS0010QSZ1	AV		D	OC mat
35	PSHEZ0102QSZZ	AD		C	Motor pressure sheet
36	PSHEZ0112QSZZ	AE		C	Delivery earth sheet SPF
37	MSPRC0149QSZZ	AC		C	PS earth spring SPF
501	C SOU-0004QS51	BC		E	SPF original tray unit
	(Unit)				
901	DUNT-0032RSZZ	BZ		E	SPF unit (This includes Block 33,34,35)

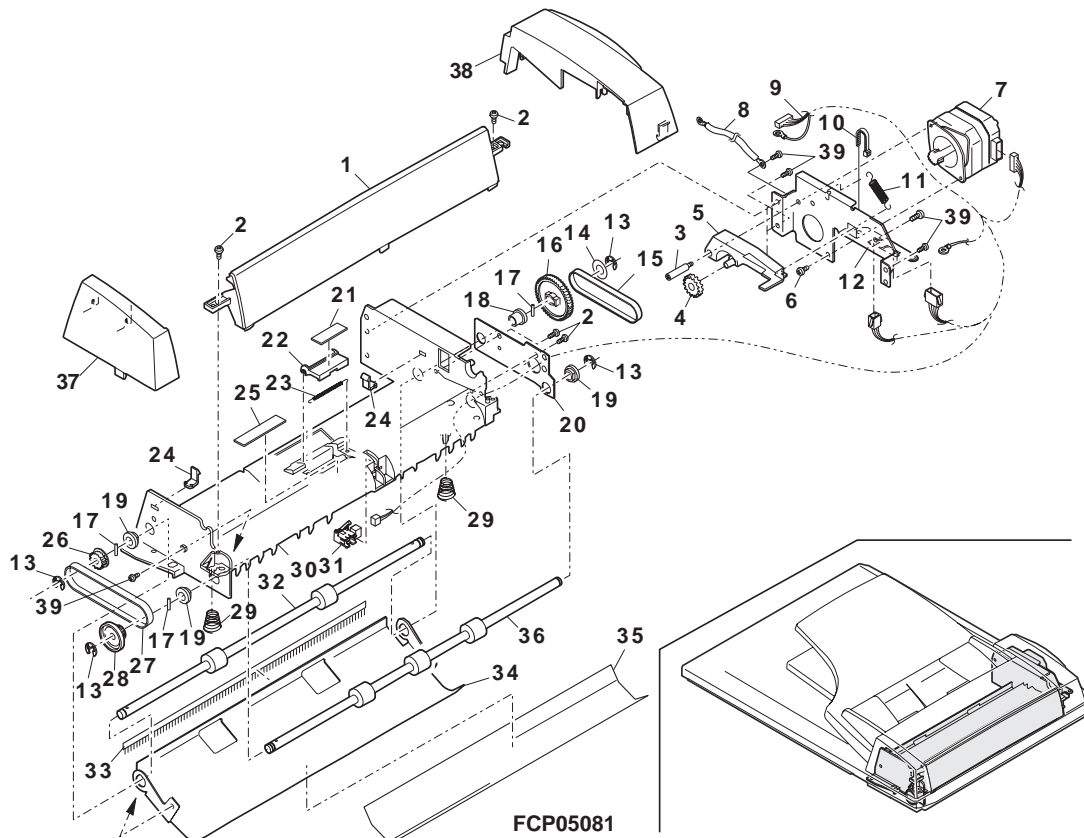
5 SPF exteriors(AL-1451)



## 6 SPF transport unit(AL-1451)

NO.	PARTS CODE	PRICE RANK	NEW MARK	PART RANK	DESCRIPTION
1	PGIDM0042QSZZ	AL		C	U-turn paper guide
2	XEBSD30P12000	AA		C	Screw(3x12)
3	LX-BZ0012QSZZ	AC		C	Screw
4	NGERH0972FCZZ	AB		C	Gear(27T)
5	MARMP0001QSZZ	AF		C	Drive arm
6	XBPSD30P05K00	AA		C	Screw(3x5K)
7	RMOTP0013QSZZ	BB		B	SPF motor
8	DHAI-0084QSZ1	AT		C	Grand wire
9	DHAI-0054QSZ3	AR		C	SPF interface harness
10	LBNDJ0013FCZ1	AA		C	Wire band
11	MSPRT0064QSZ1	AC		C	Drive arm spring
12	LFRM-0013QSZZ	AG		C	Drive frame
13	XRESP50-06000	AA		C	E-ring
14	PSHEP3029FCZZ	AA		C	Flange sheet DUP2
15	NBLTT0006QSZZ	AG		B	Belt(83MXL4.8)
16	NGERH0047QSZZ	AF		C	Gear(48T/15T)
17	XPSSP20-09000	AA		C	Spring pin(φ2-9)
18	NBRGC0017QSZZ	AC		C	Bearing
19	NBRGM0501FCZZ	AB		C	Metal D
20	LFRM-0012QSZZ	AD		C	Frame R
21	PSHEZ0039QSZZ	AG		C	Sheet
22	LPLTP0013QSZZ	AD		C	Plate
23	MSPRC0062QSZZ	AC		C	Pressure spring
24	MSPRP0065QSZZ	AD		C	Open and shut lock spring
25	PSHEZ2174FCZZ	AB		C	Paper feeding sheet
26	NPLYZ0146FCZZ	AB		C	22MXL pulley
27	NBLTT0003QSZZ	AG		B	Belt(91MXL4.8)
28	JKNBZ0004QSZZ	AD		C	JAM release knob
29	MSPRC0063QSZZ	AB		C	Delivery paper guide spring
30	PGIDM0024QSZZ	AQ		C	Transport paper guide
31	RDTCT0004QSZZ	AL		B	Inlet detect sensor
32	NROLM0023QSZZ	AP		C	Delivery roller
33	PBRSR0003QSZZ	AK		B	Discharge brush
34	PGIDH0029QSZZ	AL		C	Delivery paper guide
35	PSHEP0044QSZZ	AF		C	White sheet
36	NROLM0022QSZZ	AP		C	PS roller
37	PCOVP0037QSZZ	AH		D	Front cover
38	PCOVP0038QSZZ	AL		D	Rear cover
39	XEBSD30P08000	AA		C	Screw(3x8)
	(Unit)				
901	CFRM-0013QS51	BS		E	SPF transport unit

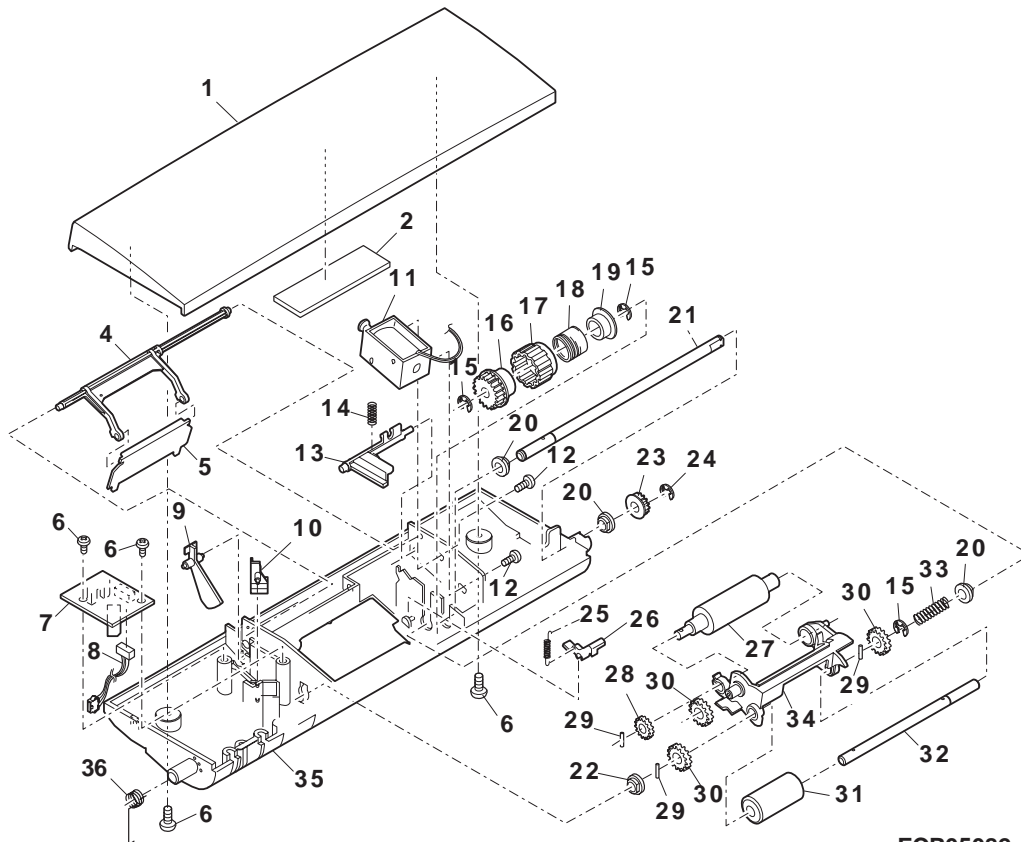
## 6 SPF transport unit(AL-1451)



7 RSPF SPF pick up unit(AL-1451/1551)

NO.	PARTS CODE	PRICE RANK	NEW MARK	PART RANK	DESCRIPTION
1	GCAB-0008QSZZ	AM		D	Open and shut exterior
2	PSPO-0002QSZZ	AC		C	Stopper sponge
4	MARMP0003QSZ1	AD		C	Stopper arm
5	LSTPP0001QSZZ	AD		C	Paper stopper R (AL-1451)
	LSTPP0007QSZZ	AC		C	Paper stopper R (AL-1551)
6	XEBSD30P08000	AA		C	Screw(3x8)
7	CPWBF0009RS51	AG		E	SPF sensor PWB
8	DHAI-0055QSZZ	AK		C	Sensor harness
9	MLEVP0009QSZZ	AD		C	Set detect lever ACT
10	MLEVP0010QSZZ	AE		C	Open and shut detect lever ACT
11	RPLU-0004QSZ1	AQ		B	PU solenoid
12	XBPSD30P06KS0	AA		C	Screw(3x6KS)
13	MARMP0002QSZZ	AD		C	Solenoid arm
14	MSPRT0067QSZ1	AB		C	Solenoid arm spring
15	XRESP40-06000	AA		C	E-ring
16	NGERH0073QSZZ	AE		C	Clutch gear(20T)
17	PPIPP0008QSZZ	AD		C	Clutch sleeve (AL-1451)
	PPIPP0010QSZZ	AD		C	Clutch sleeve (AL-1551)
18	MSPRC1316FCZ1	AE		C	MF clutch spring B
19	LBOSZ1508FCZZ	AG		C	Cam boss A2
20	LBSHZ0303FCZZ	AC		C	M bushing C
21	NSFTZ0012QSZZ	AG		C	Clutch shaft
22	LBSHZ0006QSZZ	AC		C	M Bushing 2
23	NPLYZ0010QSZZ	AE		C	20MXL pulley
24	XRESP30-06000	AA		C	E-ring
25	MSPRT0066QSZ1	AC		C	Clutch pawl spring
26	PTME-0019QSZZ	AD		C	Clutch pawl
27	NROLP0024QSZZ	AL		C	Pick up roller
28	NGERH0990FCZZ	AB		C	Gear(16T)
29	XPSSP20-07000	AA		C	Spring pin(φ2-7)
30	NGERH0992FCZZ	AB		C	Gear(20T)
31	NROLR0922FCZZ	AR		C	Manual feeding roller
32	NSFTZ0011QSZZ	AF		C	PF shaft
33	MSPRC0115QSZZ	AB		C	Paper feeding spring
34	MARMP0004QSZZ	AF		C	Pick up arm
35	LFRM-0011QSZ1	AL		D	Paper feeding frame
36	MSPRD0114QSZ1	AD		C	PF frame spring
	(Unit)				
901	CFRM-0011RS51	BF		E	SPF pick up unit (AL-1451)
	CFRM-0011RS55	BF		E	SPF pick up unit (AL-1551)

7 RSPF SPF pick up unit(AL-1451/1551)



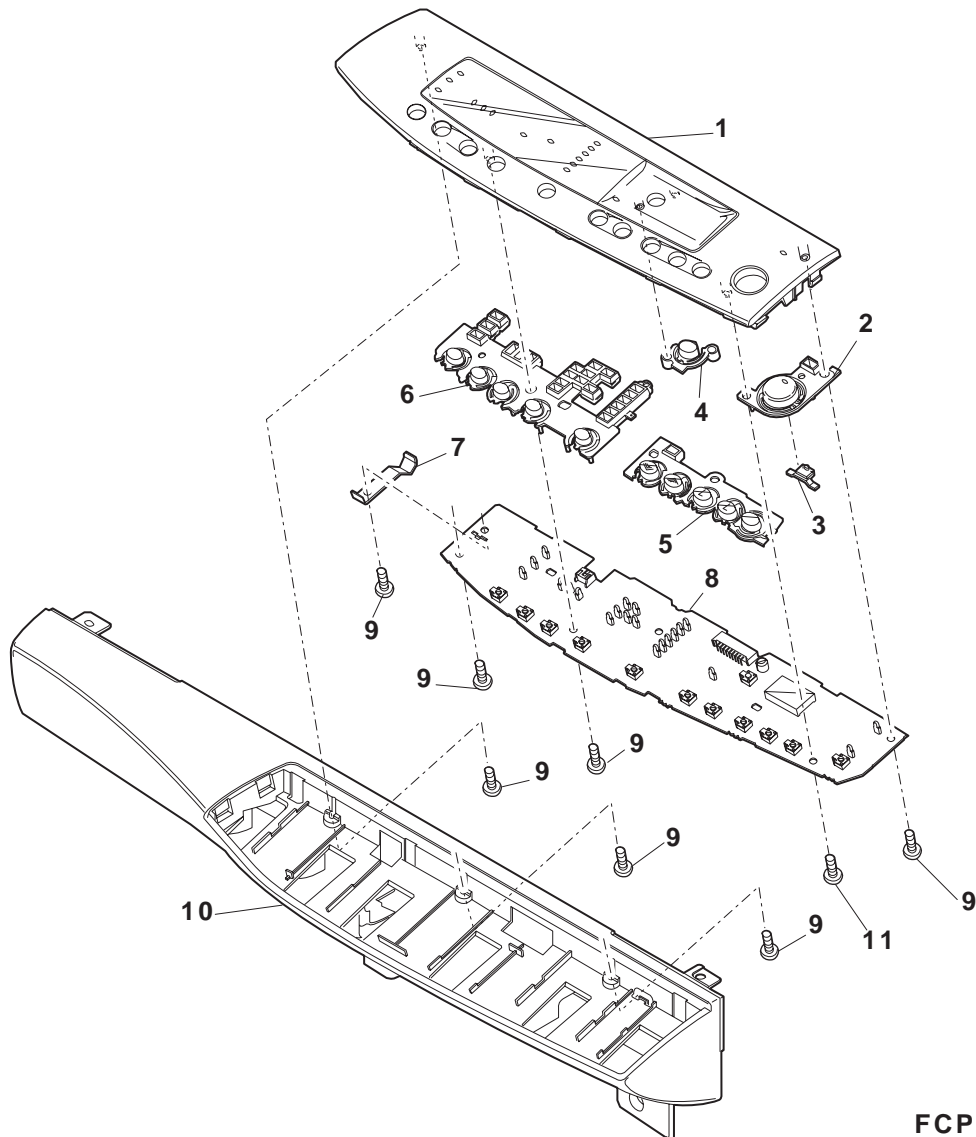
FCP05082



## 8 Operation panel

NO.	PARTS CODE	PRICE RANK	NEW MARK	PART RANK	DESCRIPTION
1	PFILZ0001QS12	AS		D	Operation filter (AL-1340)
	PFILZ0001QS30	AS	N	D	Operation filter (AL-1451)
	PFILZ0001QS29	AS	N	D	Operation filter (AL-1551)
2	CBTN-0009QS01	AG		E	Copy key
3	JBTN-0010QSZZ	AC		C	Copy key smoke
4	JBTN-0005QSZZ	AC		C	% Key
5	CBTN-0004QS01	AE		E	Operation key R
6	JBTN-0008QSZZ	AD		C	Operation key L
7	MSPRP0015QSZZ	AC		C	Operation PWB earth spring
8	CPWBF0014QSE1	BC	N	E	Operation PWB (AL-1340)
	CPWBF0014QSF3	BD	N	E	Operation PWB (AL-1451)
	CPWBF0014QSF1	BD	N	E	Operation PWB (AL-1551)
9	XEBSE30P08000	AA		C	Screw(3x8)
10	CPNLC0002QS0N	AV	N	D	Operation panel (AL-1340)
	CPNLC0002QS0P	AV	N	D	Operation panel (AL-1451)
	CPNLC0002QS0Q	AV	N	D	Operation panel (AL-1551)
11	XEBSE30P06000	AA		C	Screw(3x6)

## 8 Operation panel

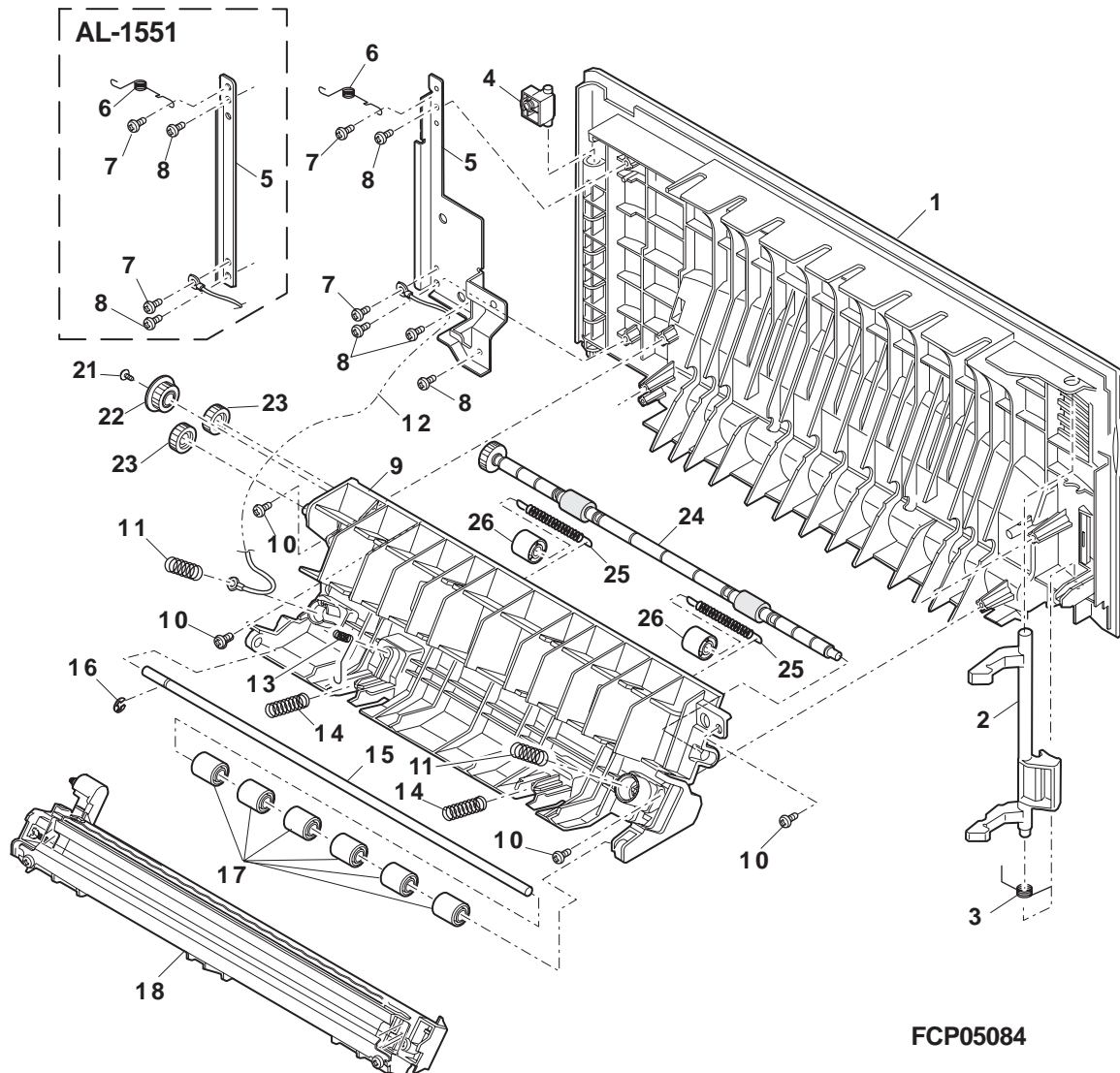


FCP05083

## 9 Side door unit

NO.	PARTS CODE	PRICE RANK	NEW MARK	PART RANK	DESCRIPTION
1	GCAB-0007QSZZ	AU		D	Side door
2	PTME-0004QSZZ	AG		C	Lock pawl
3	MSPRT0029QSZZ	AC		C	Lock pawl spring
4	PGIDM0008QSZZ	AD		C	Hinge guide
5	LPLTM0043QSZZ	AD		C	Earth plate (AL-1340/1451)
	LPLTM0132QSZZ	AH		C	Earth plate (AL-1551)
6	MSPRD0076QSZZ	AD		C	Earth spring
7	XHBSE30P06000	AA		C	Screw(3x6)
8	XEBSE30P06000	AA		C	Screw(3x6)
9	LFRM-0003QSZZ	AP		D	Side door inner frame
10	XEBSD30P10000	AA		C	Screw(3x10)
11	MSPRC0032QSZZ	AB		C	Transcription pressure spring
12	DHAI-0047QSZZ	AH		C	TCFB harness
13	MSPRC0031QSZZ	AB		C	PS earth spring
14	MSPRC0030QSZZ	AC		C	PS pressure spring
15	NSFTZ0006QSZZ	AG		C	PS shaft
16	XRESP30-06000	AA		C	E-ring
17	NROLP1122FCZZ	AF		C	PS upper roller
18	CHLDZ0010RS52	AU		E	Transcription holder unit
21	XEPSD30P08X00	AA		C	Screw(3x8) (AL-1551)
22	NGERH0048QSZZ	AE		C	DUP drive gear (AL-1551)
23	NGERH0051QSZZ	AE		C	DUP drive gear A (AL-1551)
24	NROLP0025QSZZ	AM		C	DUP drive roller (AL-1551)
25	MSPRC0050QSZZ	AB		C	DUP pressupe spring (AL-1551)
26	NROLP1122FCZZ	AF		C	PS upper roller (AL-1551)

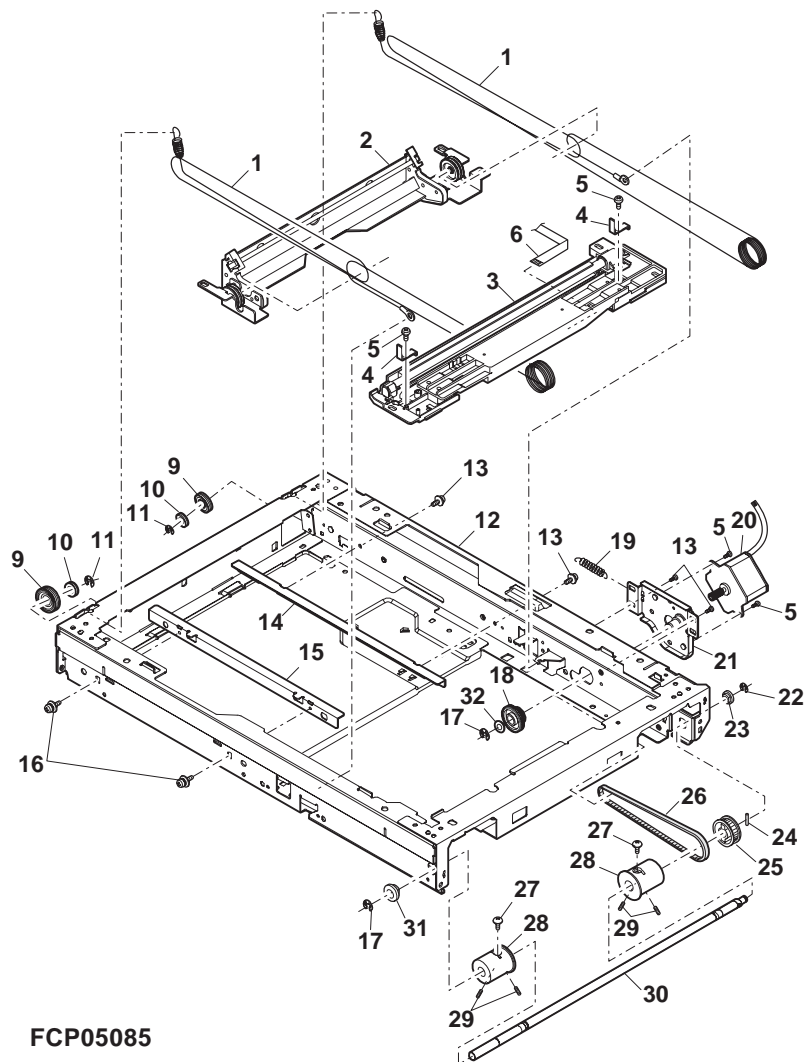
## 9 Side door unit



10 Optical frame 1

NO.	PARTS CODE	PRICE RANK	NEW MARK	PART RANK	DESCRIPTION
1	PWIR-0003QSZZ	AR		C	MB wire
2	CHLDZ0019QS31	BC		E	2nd,3rd mirror holder unit
3	CREFL0003QS33	BQ		E	Copy lamp unit
4	LPLTM5111FCZZ	AC		C	Wire fixing plate
5	XBPSD30P05K00	AA		C	Screw(3x5K)
6	DHAI-0041QSZZ	AF		C	CL lead harness
9	NPLYZ0005QSZZ	AG		C	Pulley
10	NPLYZ0006QSZZ	AD		C	L pulley
11	XRESP40-05000	AA		C	E-ring
12	CDAIU0002QS01	BG		D	Optical base plate
13	XHBSE30P06000	AA		C	Screw(3x8)
14	LRALM0003QSZZ	AG		C	MB-B rail R
15	LRALM0002QSZZ	AF		C	MB-B rail F
16	LX-BZ0004QSZZ	AB		C	Screw(M3x6)
17	XRESP70-08000	AA		C	E-ring
18	NGERH0027QSZZ	AH		C	Mirror motor idle gear
19	MSPRC0040QSZZ	AB		C	MB drive spring
20	RMOTP0011QSZZ	BA		B	Mirror Motor
21	CPLTM0025QS01	AH		C	Mirror motor fixing plate
22	XRESP50-06000	AA		C	E-ring
23	NBRGC0387FCZ1	AC		C	Bearing
24	XPSSJ30-12000	AB		C	Spring pin(φ3-12)
25	NPLYZ0004QSZZ	AG		C	Winder drive shaft pulley
26	NBLTT0002QSZZ	AH		B	Winder drive belt
27	LX-BZ0324FCZZ	AA		C	Screw(3x4)
28	NPLYZ0003QSZZ	AM		C	Winder pulley
29	LX-BZ0049FCZZ	AB		C	Screw(4x6)
30	NSFTZ0008QSZZ	AQ		C	Winder drive shaft
31	NBRGC0133FCZ1	AC		C	PF bearing(M8)
32	LX-WZ0119FCZZ	AA		C	Washer

10 Optical frame 1

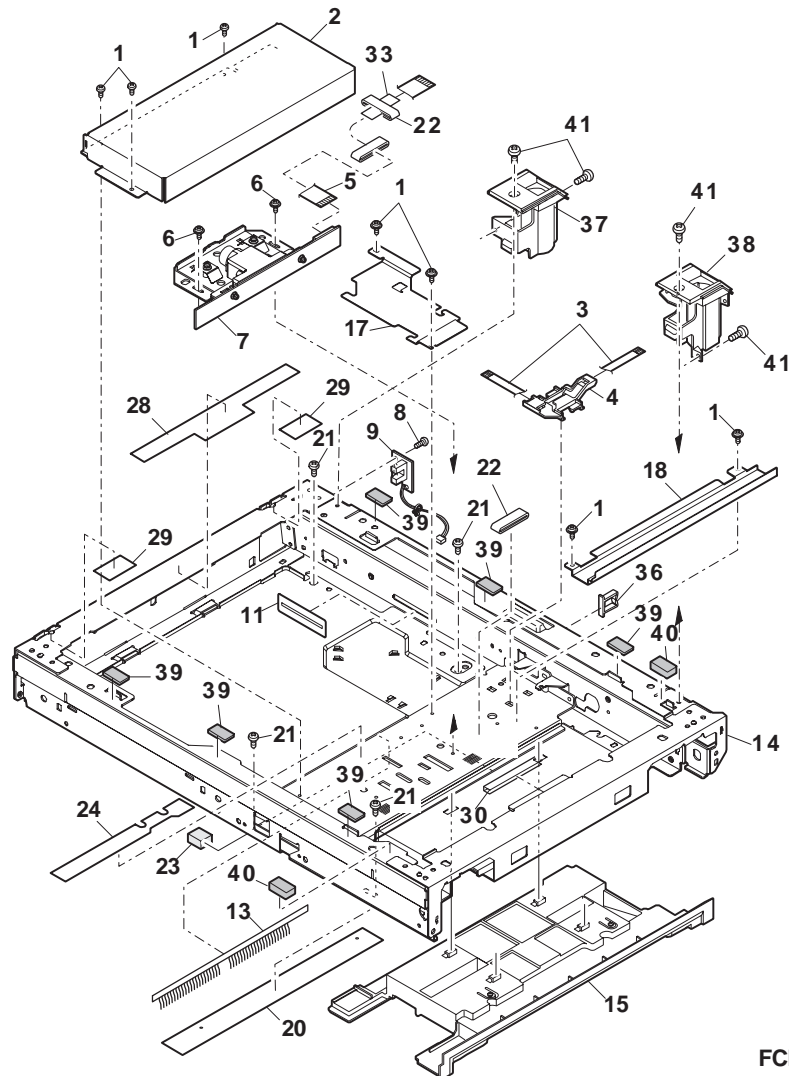


FCP05085

# 11 Optical frame 2

NO.	PARTS CODE	PRICE RANK	NEW MARK	PART RANK	DESCRIPTION
1	XHBSE30P08000	AA		C	Screw(3×8)
2	PCASZ0003QSZZ	AK		C	Dark box
3	DHAi-0041QSZZ	AF		C	CL lead harness
4	LHLDZ0011QSZZ	AD		C	CL lead holder
5	DHAi-0042QSZZ	AK		C	ICU-CCD harness
6	LX-BZ0004QSZZ	AB		C	Screw(M3×6)
7	CDAiU0008RS59	BP		E	Lens unit
8	XBBSD30P08000	AA		C	Screw(3×8)
9	CPWBF1177DS5A	AT		E	MHPS sensor PWB
11	PSHEP0042QSZZ	AC		C	Edge protect sheet
13	PBRSR0002QSZ1	AH		B	Discharge brush
14	CDAiU0002QS01	BG		D	Optical base plate
15	PGiDM0007QSZZ	AP		C	U-turn rib guide upper
17	LPLTM0097QSZZ	AE		C	CCD harness cover
18	LPLTM0098QSZZ	AE		C	CCD PWB cover
20	PSHEZ0066QSZZ	AE		C	Lens base plate lower sheet
21	XEBSE40P12000	AA		C	Screw(4×12)
22	RCORF0002QSZZ	AE		C	Core
23	PGSK-1004DCZZ	AF		C	Gasket
24	PSHEZ0074QSZZ	AE		C	Optical protection sheet
28	PSHEZ0081QSZ1	AD		C	Cabinet hooksheet A
29	PSHEZ0082QSZZ	AB		C	Cabinet hooksheet B
30	PSHEZ0111QSZZ	AC		C	Protection sheet (AL-1451/1551)
33	PSHEZ0072QSZZ	AE		C	Core holding mylar
36	LHLDW2133SCZZ	AC		C	Locking wire holder(LWS-1M) (AL-1451/1551)
37	PGiDM0019QSZZ	AH		C	SPF hinge guide L (AL-1451/1551)
38	PGiDM0020QSZZ	AH		C	SPF hinge guide R (AL-1451/1551)
39	PGUMS0004QSZZ	AA		C	Table glass cushion
40	PCUSS0011QSZZ	AB		C	Glass cution (AL-1451/1551)
41	XBBSSE30P08000	AA		C	Screw(3×8)

# 11 Optical frame 2

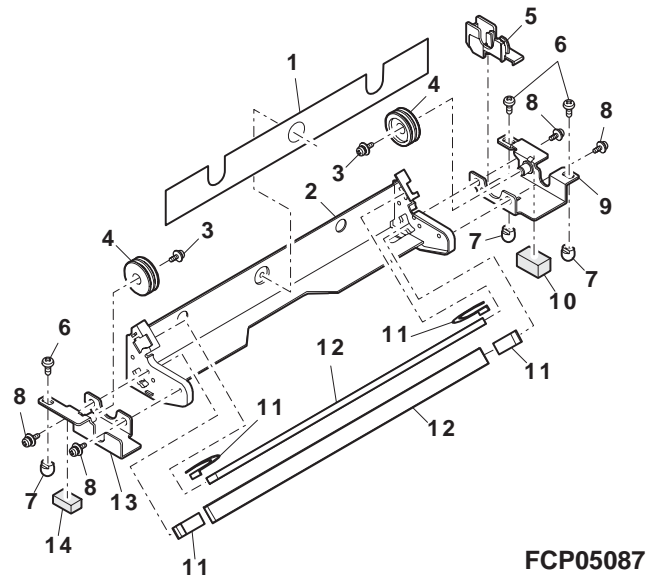


FCP05086

12 Mirror holder unit

NO.	PARTS CODE	PRICE RANK	NEW MARK	PART RANK	DESCRIPTION
1	PSHEZ0048QSZZ	AE		C	Reflector protect sheet
2	LHLDZ0019QSZZ	AN		C	2nd,3rd mirror holder
3	XBPSD40P06KS0	AA		C	Screw(4x6KS)
4	NPLYZ0007QSZZ	AG		C	W pulley
5	LHLDZ0013QSZZ	AD		C	CL guide holder
6	XEBSD40P06000	AA		C	Screw(4x6)
7	CSLi-0103FC31	AF		D	Slider(4pcs/set)
8	LX-BZ0335FCZZ	AA		C	Screw(4x6)(Red)
9	CPLTM0029QS01	AH		C	Pulley fixing plate R
10	PCUSS0009QSZZ	AA		C	MB-B cushion R
11	LFiX-0284FCZZ	AC		C	Mirror fixing plate
12	PMiR-0002QSZZ	AN		B	2nd,3rd mirror
13	CPLTM0028QS01	AH		C	Pulley fixing plate F
14	PCUSS0201FCZZ	AA		C	MB-B cushion
	(Unit)				
901	CHLDZ0019QS31	BC		E	2nd,3rd mirror holder unit

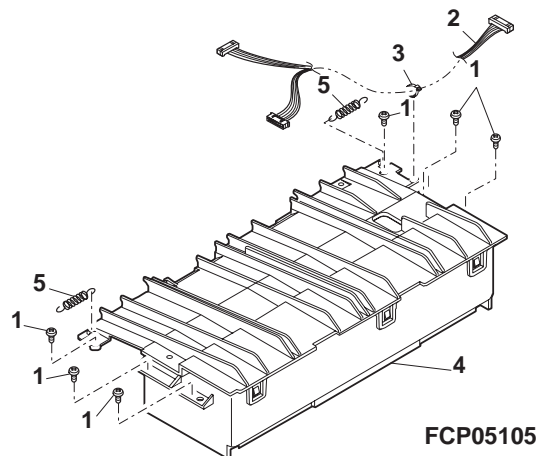
12 Mirror holder unit



13 LSU unit

NO.	PARTS CODE	PRICE RANK	NEW MARK	PART RANK	DESCRIPTION
1	XEBSD30P12000	AA		C	Screw(3x12)
2	DHAi-0155QSZ1	AT		C	LSU harness
3	LBNDJ0013FCZ1	AA		C	Wire band
4	DUNTK0013QS11	BT		E	LSU unit(A4600D)
5	MSPRT0019QSZZ	AB		C	Delivery paper guide spring

13 LSU unit



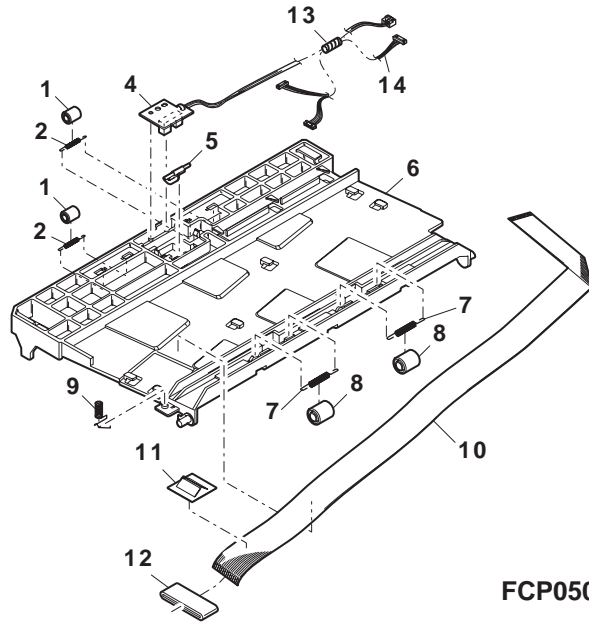
14 Delivery paper guide unit

NO.	PARTS CODE	PRICE RANK	NEW MARK	PART RANK	DESCRIPTION
1	NROLP0046QSZZ	AC		C	Delivery roller upper
2	MSPRT0020QSZZ	AB		C	Delivery roller spring
4	CPWBF1177DS57	AV		E	POD sensor PWB
5	MLEVP0005QSZZ	AD		C	Delivery actuator
6	PgiDM0006QSZZ	AM		C	Delivery paper guide
7	MSPRC0021QSZZ	AB		C	Delivery transport roller spring
8	NROLP1122FCZZ	AF		C	PS upper roller
9	MSPRC0022QSZZ	AC		C	Delivery earth spring
10	DHAi-0168QSZZ	AK		C	OP harness (AL-1551)
	DHAi-0040QSZZ	AK		C	OP harness (AL-1340/1451)
11	PSHEZ0080QSZZ	AE		C	OP harness core holding mylar
12	RCORF0002QSZZ	AE		C	Core
13	PTUBP0005QSZZ	AC		C	Tube (AL-1551)
14	DHAi-0155QSZZ	AT		C	LSU harness

15 Middle frame

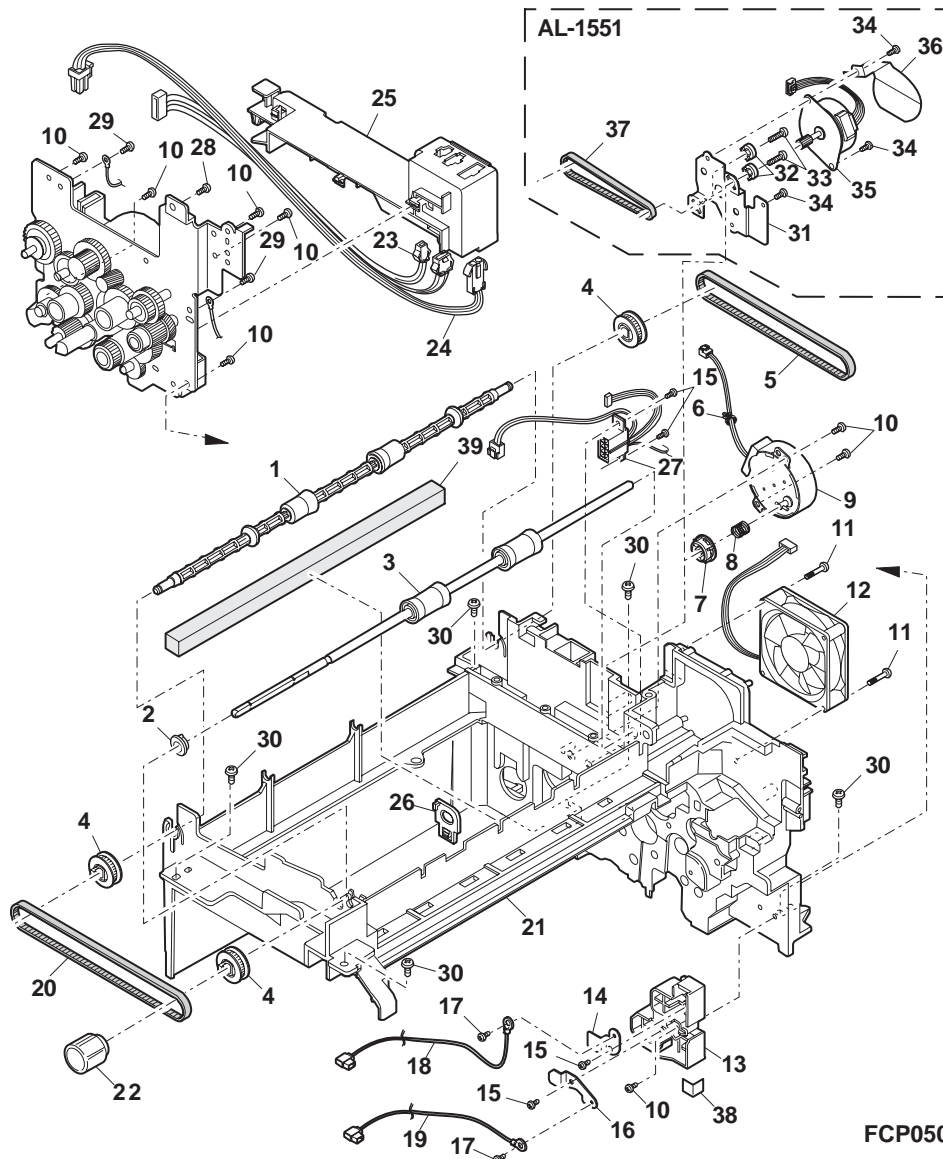
NO.	PARTS CODE	PRICE RANK	NEW MARK	PART RANK	DESCRIPTION
1	NROLP0007QSZZ	AQ		C	Delivery roller lower
2	NBRGC0579FCZZ	AE		C	Roller bearing
3	NROLP0012QSZZ	AS		C	Delivery trasport roller lower
4	NPLYZ0001QSZZ	AE		C	Pulley(22T)
5	NBLT-0005QSZZ	AH		B	Delivery roller drive belt (AL-1340/1451)
6	LBNDJ0043FCZZ	AA		C	Snap band(SG-130)
7	NCPL-0002QSZZ	AC		C	Hopper cupring S
8	MSPRC0024QSZZ	AA		C	Hopper spring
9	RMOTD0009QSZZ	AU		B	Toner motor
10	XEBSD30P10000	AA		C	Screw(3×10)
11	XEBSD30P30000	AA		C	Screw(3×30)
12	NFANP0005QSZZ	AW		B	Fan
13	LHLDZ0018QSZZ	AE		C	TC high voltage holder
14	QSLP-0006QSZZ	AE		C	BC HV electrode plate
15	XEBSD30P06000	AA		C	Screw(M3×6)
16	QSLP-0005QSZZ	AE		C	TC HV electrode plate
17	XBPSC30P06K00	AA		C	Screw(3×6K)
18	DHAi-0046QSZZ	AH		C	BC harness
19	DHAi-0048QSZZ	AG		C	TC harness
20	NBLTT0001QSZZ	AH		B	Belt 308
21	LFRM-0002QSZZ	AX		D	Middle frame
22	JKNBZ0001QSZZ	AE		C	Roller rotation knob
23	DHAi-0037QSZZ	AS		C	PPD2 interface harness
24	DHAi-0029QSZZ	AN		C	HL harness 1 (100VSeries)
25	PgiDM0009QSZZ	AG		C	Harness guide
26	LPiNS0301FCZZ	AD		C	DV guide pin
27	DHAi-0038QSZZ	AS		C	DVS harness
28	LX-BZ3006SC0S	AA		C	Screw(3×6)
29	XBBSD30P08000	AA		C	Screw(3×8)
30	XEBSE40P12000	AA		C	Screw(4×12)
31	LPLTM0133QSZZ	AE		C	DUP motor sink (AL-1551)
32	PSPA Z0017QSZZ	AK		C	DUP spacer (AL-1551)
33	XEBSD30P10000	AA		C	Screw(3×10) (AL-1551)
34	XHBSE30P06000	AA		C	Screw(3×6) (AL-1551)
35	RMOTP0012QSZZ	AW		B	DUP transport motor (AL-1551)
36	PSHEZ0156QSZZ	AE		C	Harness protection sheet (AL-1551)
37	NBLTT0004QSZZ	AH		B	Belt (AL-1551)
38	PSHEZ0155QSZZ	AD		C	Sheet (AL-1551)
39	PMLT-0026QSZZ	AC		C	Cushion

14 Delivery paper guide unit



FCP05088

15 Middle frame

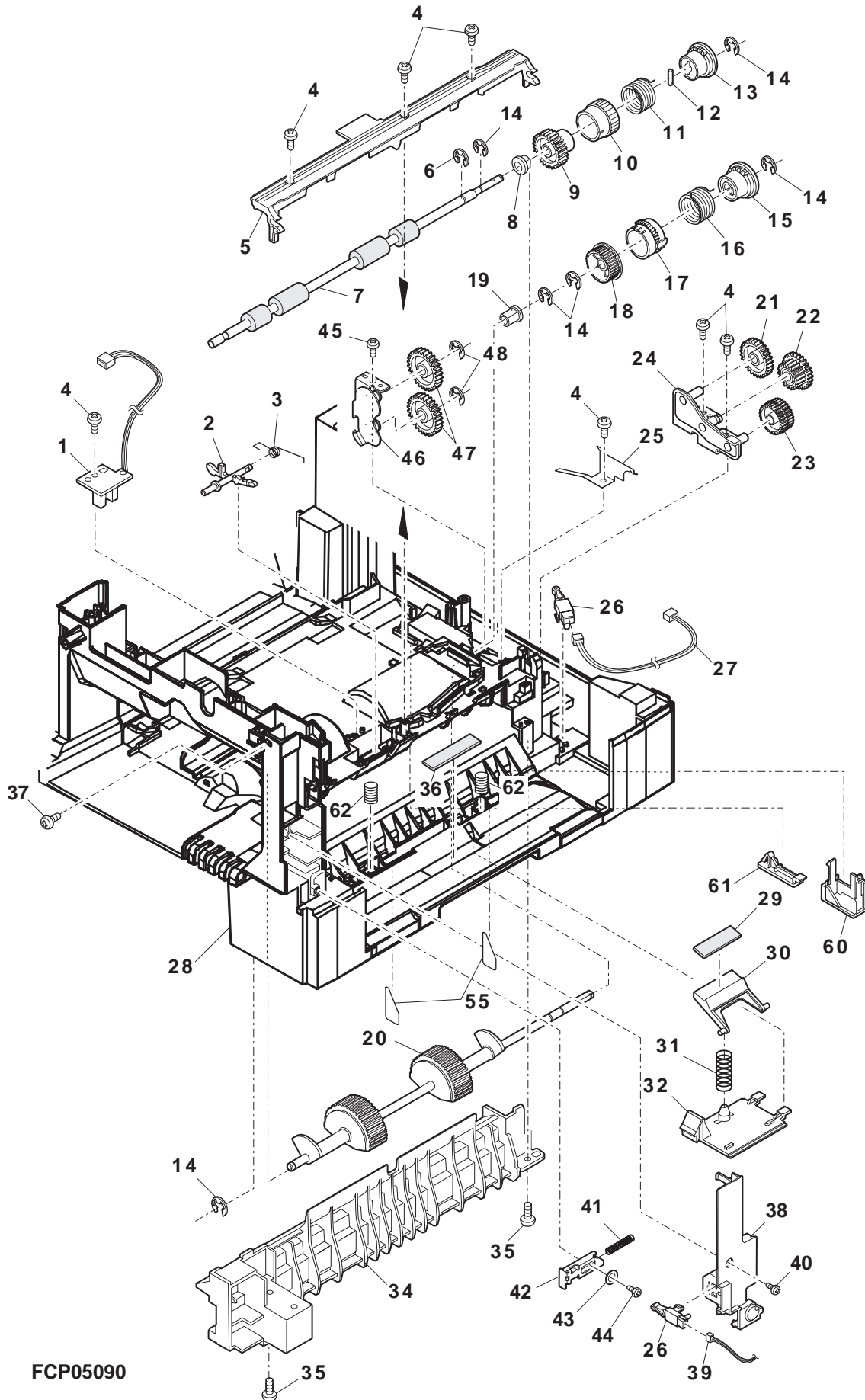


FCP05089





16 Base plate unit 1



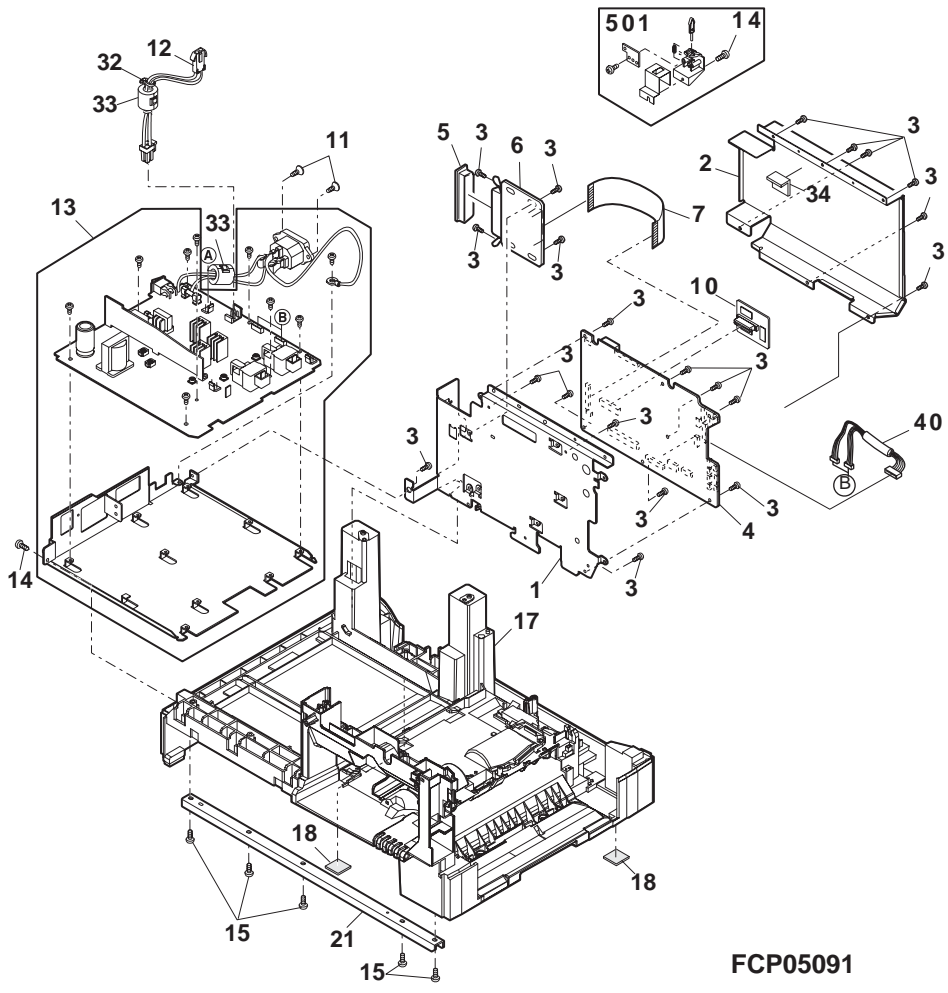
FCP05090

17 Base plate unit 2

NO.	PARTS CODE	PRICE RANK	NEW MARK	PART RANK	DESCRIPTION
1	LPLTM0017QSZ3	AQ		C	PWB holder
2	LPLTM0018QSZZ	AN		C	PWB cover
3	XHBSE30P06000	AA		C	Screw(3×6)
4	CPWBX0101QS46	BZ	N	E	MCU PWB (AL-1340)
	CPWBX0101QS4C	BZ	N	E	MCU PWB (AL-1451)
	CPWBX0101QS4J	BZ	N	E	MCU PWB (AL-1551)
5	PCAPH1001ACZZ	AE		C	57L connector protect cap
6	CPWBF0012QSE1	BC		E	GDI PWB
7	DHAI-0063QSZZ	AG		C	GDI harness
10	CPWBF0013QSE2	BM		E	GDI memory PWB 6MB
11	XESSD30P10000	AA		C	Screw(3×10)
12	DHAI-0029QSZZ	AN		C	HL harness 1 (100VSeries)
13	CPWBF0017QS32	BU		E	DC power supply PWB (AL-1340)
	CPWBF0017QS35	BU		E	DC power supply PWB (AL-1451/1551)
14	XEBSE30P10000	AA		C	Screw(3×10)
15	XEBSE40P12000	AA		C	Screw(4×12)
17	GDAI-0001QSZZ	BF		D	Base plate
18	GLEGG0064FCZZ	AC		C	Rubber foot
21	LPLTM0020QSZZ	AL		C	Base plate reinforce plate F
32	LBNDJ0013FCZ1	AA		C	Wire band
33	RCORF0003QSZZ	AL		C	Core (AL-1551)
34	PMLT-0028QSZZ	AC		C	Harness fixing cushion
40	DHAI-0039QSZZ	BD		C	Center frame harness
501	DUNT-0084QS11	AU		E	DSP sensor (AL-1451/1551)



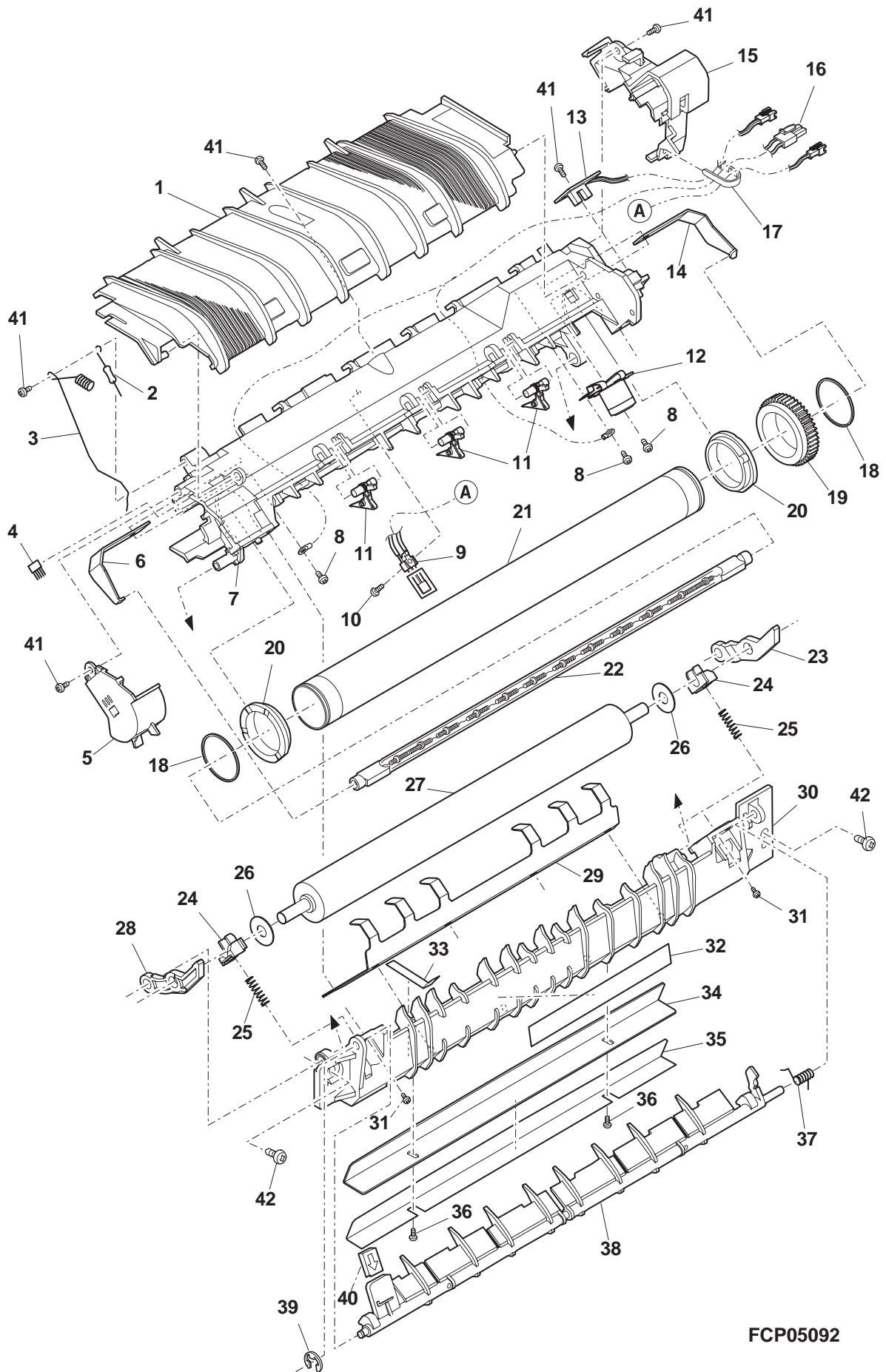
17 Base plate unit 2



FCP05091



18 Fusing unit

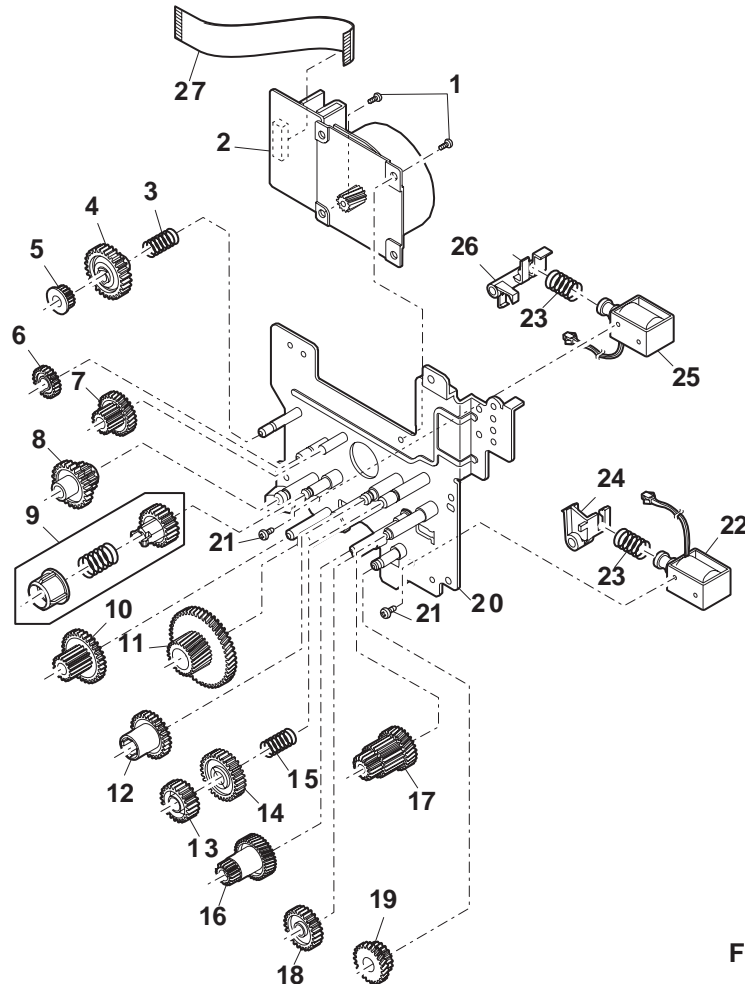


FCP05092

19 Drive unit

NO.	PARTS CODE	PRICE RANK	NEW MARK	PART RANK	DESCRIPTION
1	XBBSD40P06000	AA		C	Screw(4x6)
2	RMOTP0010QSZZ	BN		B	Main motor
3	MSPRC0053QSZZ	AB		C	Pulley spring (ExceptAL-1551)
4	NGERH0050QSZZ	AD		C	Ratchet gear(33T) (ExceptAL-1551)
5	NPLYZ0002QSZZ	AC		C	Pulley(17T) (ExceptAL-1551)
6	NGERH0010QSZZ	AD		C	Gear(28T)
7	NGERH0009QSZZ	AD		C	Gear(46/16T)
8	NGERH0014QSZZ	AD		C	Gear(30/15T)
9	CGERH0011RS51	AE		E	MG gear unit
10	NGERH0015QSZZ	AD		C	Gear(37/15T)
11	NGERH0007QSZZ	AH		C	Gear(68/26T)
12	NGERH0016QSZZ	AD		C	Cupring gear(34T)
13	NGERH0019QSZZ	AD		C	Ratchet gear(21T)
14	NGERH0018QSZZ	AC		C	Ratchet gear(28T)
15	MSPRC0023QSZZ	AB		C	Ratchet spring
16	NGERH0008QSZZ1	AL		C	Gear(55/19T)
17	NGERH0017QSZZ	AD		C	Gear(33/20/15T)
18	NGERH0012QSZZ	AE		C	Gear(20T)
19	NGERH0013QSZZ	AG		C	Gear(31/17T)
20	CPLTM0042QS02	AY		C	Main drive plate
21	XBBSD30P04000	AA		C	Screw(3x4)
22	RPLU-0016QSZZ	AN		B	Solenoid
23	MSPRC1318FCZ1	AA		C	Spring B
24	PTME-0002QSZZ	AD		C	PS roller pawl
25	RPLU-0002QSZZ	AN		B	Solenoid
26	PTME-0003QSZZ1	AD		C	Roller pawl
27	DHAi-0045QSZZ	AD		C	Main motor harness
901	(Unit)				
	CPLTM0042RS54	BP		E	Drive unit (AL-1340/AL-1451)
	CPLTM0042RS53	BP		E	Drive unit (AL-1551)

19 Drive unit

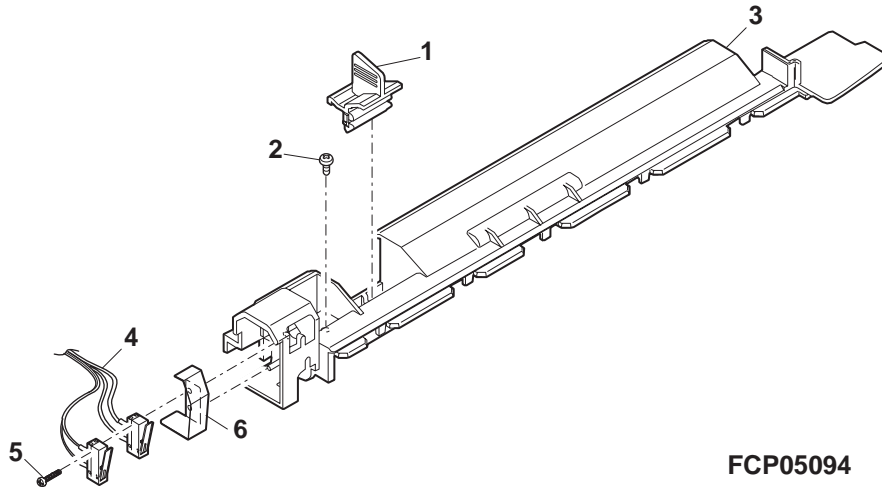


FCP05093

20 Single manual paper feeding cover unit(AL-1340/1451)

NO.	PARTS CODE	PRICE RANK	NEW MARK	PART RANK	DESCRIPTION
1	CCL EZ0005RS51	AQ		E	Charger cleaner unit
2	XEBSE30P08000	AA		C	Screw(3×8)
3	PCOVP0012QSZ1	AK		C	Single upper cover
4	CSW-M0004RS51	AW		E	Side door detect switch unit
5	XEPSD20P18000	AB		C	Screw(2×18)
6	MSPRP0110QSZ1	AD		C	Door switch spring

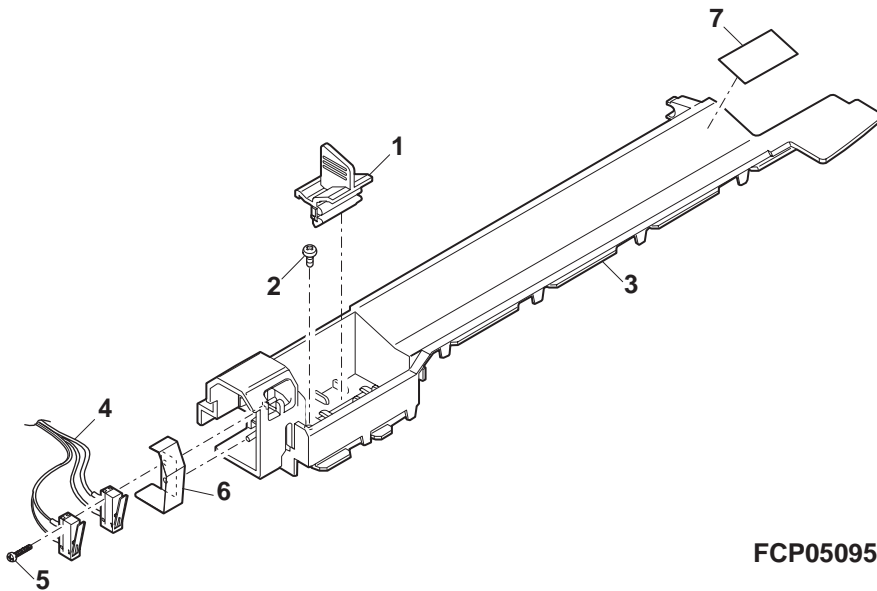
20 Single manual paper feeding cover unit(AL-1340/1451)



21 Multi manual paper feeding cover unit(AL-1551)

NO.	PARTS CODE	PRICE RANK	NEW MARK	PART RANK	DESCRIPTION
1	CCL EZ0005RS51	AQ		E	Charger cleaner unit
2	XEBSE30P08000	AA		C	Screw(3×8)
3	PCOVP0023QSZ1	AK		D	Multi upper cover
4	CSW-M0004RS51	AW		E	Side door detect switch unit
5	XEPSD20P18000	AB		C	Screw(2×18)
6	MSPRP0110QSZ1	AD		C	Door switch spring
7	PSHEZ0075QSZZ	AC		C	MB upper guide sheet

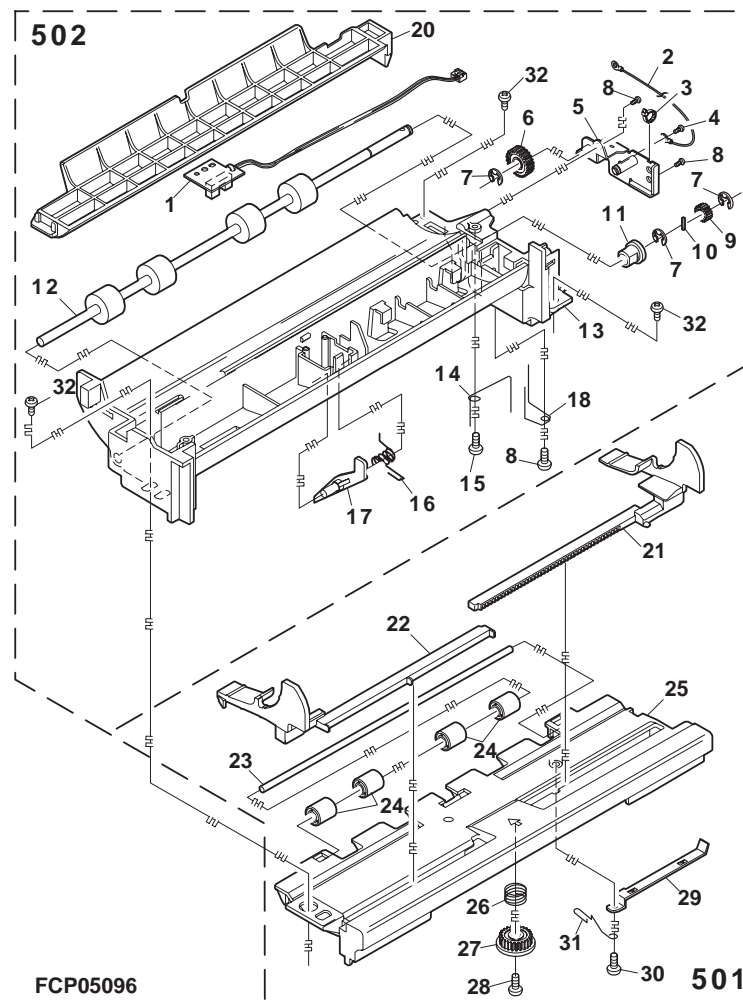
21 Multi manual paper feeding cover unit(AL-1551)



22 Single manual paper feeding unit(AL-1340/1451)

NO.	PARTS CODE	PRICE RANK	NEW MARK	PART RANK	DESCRIPTION
1	CPWBF1177DS5B	AQ		E	MFD sensor PWB
2	DHAI-0066QSZZ	AD		C	Manual feeding earth harness
3	LBNDJ0013FCZ1	AA		C	Wire band
4	XHBSE30P06000	AA		C	Screw(3x6)
5	CPLTM0023QS02	AF		C	SB plate 1
6	NGERH0972FCZZ	AB		C	Gear(27T)
7	XRESP40-06000	AA		C	E-ring
8	XEBSE30P08000	AA		C	Screw(3x8)
9	NGERH0990FCZZ	AB		C	Gear(16T)
10	XPSSJ20-07000	AA		C	Spring pin(φ2-7)
11	NBRGP0562FCZZ	AD		C	Bearing
12	NRÖLR0016QSZZ	AT		C	MF transport roller
13	LFRM-0006QSZZ	AN		C	Single manual feed frame
14	MSPRC0039QSZ1	AC		C	Earth spring
15	XEBSD30P06KS0	AA		C	Screw(3x6KS)
16	MSPRC0038QSZ1	AC		C	Actuator spring
17	MLEVP0007QSZZ	AD		C	Actuator
18	MSPRC0080QSZZ	AB		C	SB transport earth spring
20	PGIDM0014QSZZ	AF		C	DUP upper guide
21	PGIDM0013QSZZ	AF		C	SB side guide R
22	PGIDM0012QSZZ	AF		C	SB side guide F
23	NSFTZ0007QSZ1	AG		C	Roller shaft
24	NRÖLP1122FCZZ	AF		C	PS upper roller
25	LFRM-0007QSZZ	AK		C	Single manual feed lower frame
26	MSPRC0036QSZZ	AB		C	MF spring
27	NGERH0021QSZZ	AD		C	Manual feeding gear
28	XEPSD30P06X00	AA		C	Screw(3x6X)
29	MSPRP0079QSZZ	AD		C	SB earth plate spring
30	XEBSE30P06000	AA		C	Screw(3x6)
31	MSPRD0108QSZZ	AC		C	SB lower earth spring
32	XEBSE40P12000	AA		C	Screw(4x12)
501	CFRM-0007QS51	BF		E	SB manual feeding lower frame unit
502	CFRM-0006RS51	BE		E	Single manual paper feeding unit

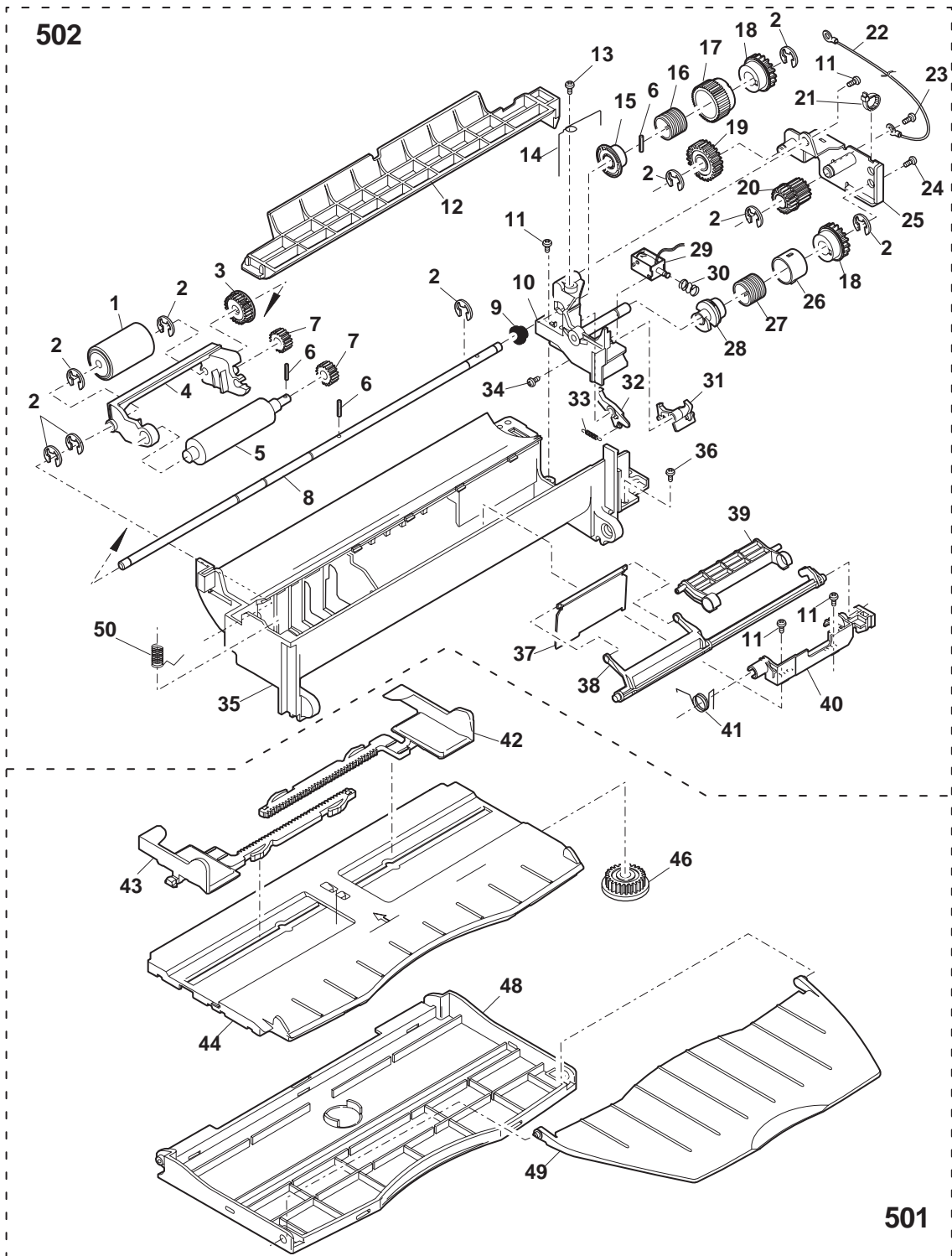
22 Single manual paper feeding unit(AL-1340/1451)







23 Multi manual paper feeding unit(AL-1551)

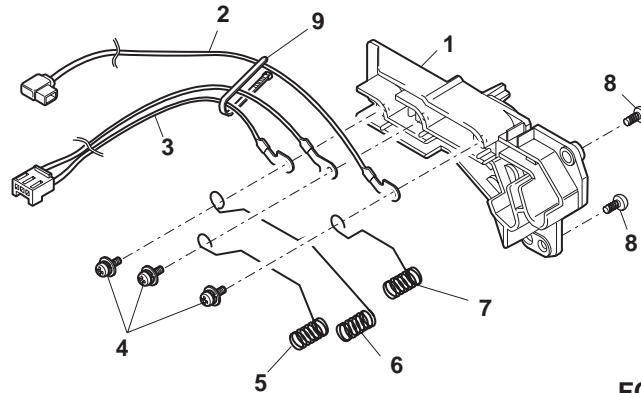


FCP05097

24 Socket holder unit

NO.	PARTS CODE	PRICE RANK	NEW MARK	PART RANK	DESCRIPTION
1	LHLDZ0009QSAZ	AF		C	HV interface holder
2	CHAI-0032RS51	BE		C	MC harness unit
3	CHAI-0028RS51	BE		C	GB-MCFB harness unit
4	XBPSC30P06ES0	AA		C	Screw(3x6ES)
5	MSPRC0017QSZZ	AC		C	HV terminal spring
6	MSPRC0018QSZZ	AC		C	HV terminal spring
7	MSPRC0016QSZZ	AC		C	HV terminal spring
8	XEBSD30P08000	AA		C	Screw(3x8)
9	LBNDJ0013FCZ1	AA		C	Wire band

24 Socket holder unit

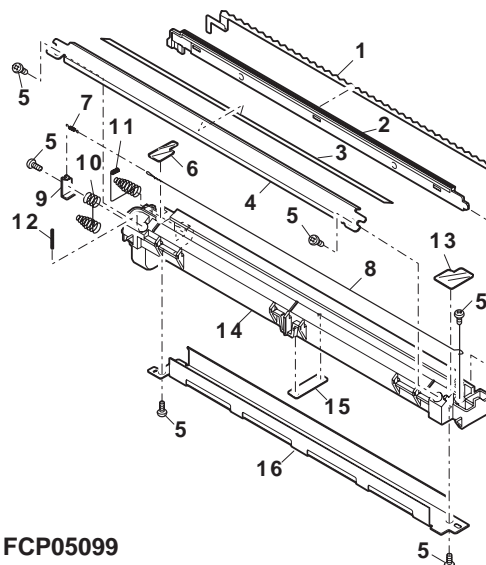


FCP05098

25 TC case unit

NO.	PARTS CODE	PRICE RANK	NEW MARK	PART RANK	DESCRIPTION
1	PSHEZ0018QSZZ	AF		C	Discharge plate sheet
2	PGIDM0011QSZZ	AE		C	Separator guige
3	PSHEP0019QSZ1	AC		C	TC sheet
4	PGIDH0025QSZ1	AG		C	TC front guide
5	XEBSD30P06000	AA		C	Screw(M3x6)
6	PSHEP0021QSZZ	AA		C	TC cover sheet R
7	MSPRT0513FCZ1	AA		C	MC tension spring
8	DWIR-0466CSZZ	BG		B	Charger wire
9	QSLP-0007QSZZ	AC		C	TC electrode plate
10	MSPRC0027QSZZ	AC		C	TC electrode spring
11	MSPRC0028QSZZ	AC		C	BC electrode spring
12	MSPRC0051QSZZ	AA		C	Front guide earth spring
13	PSHEP0020QSZZ	AB		C	TC cover sheet F
14	LHLDZ0010QSZ1	AL		C	TC holder
15	LFIX-0004QSZZ	AC		C	Holer fixing plate
16	PCASZ0002QSZZ	AL		D	TC case
	(Unit)				
901	CHLDZ0010RS52	AU		E	Transcription holder unit

25 TC case unit

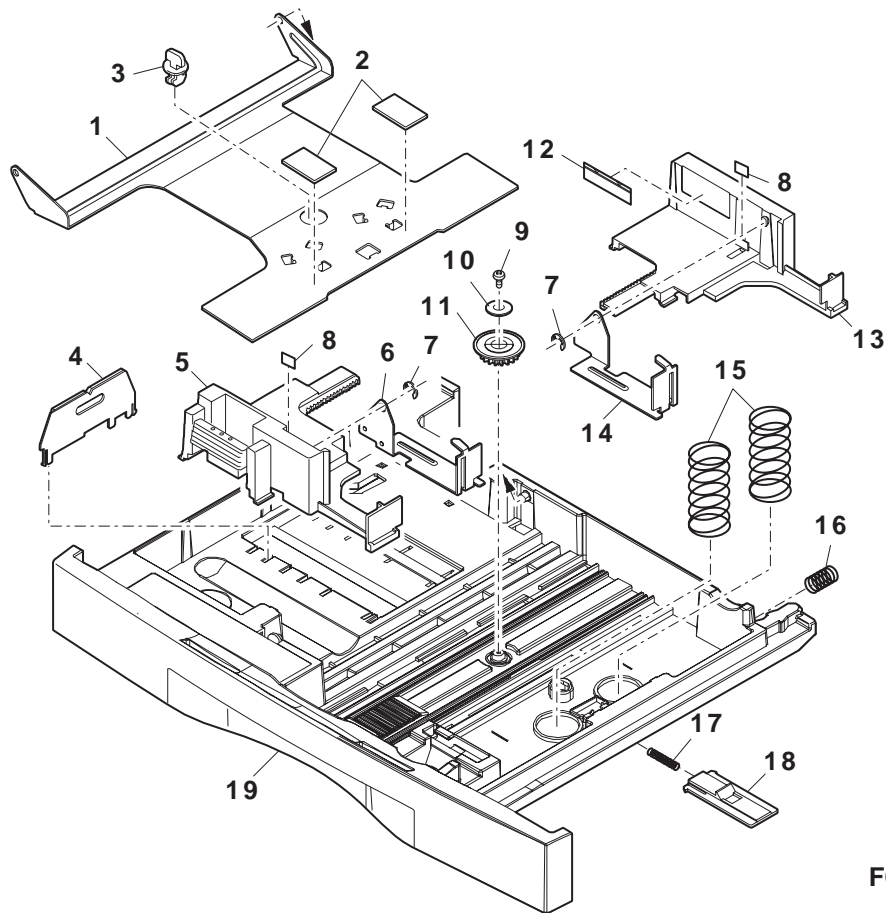


FCP05099

26 250 sheets tray

NO.	PARTS CODE	PRICE RANK	NEW MARK	PART RANK	DESCRIPTION
1	LPLTM5106FCZZ	AR		C	Turning plate 250
2	PSHEZ4142FCZZ	AC		C	Rotation plate sheet
3	LHLDW1226FCZZ	AB		C	Turn fasner
4	LPLTM2642FCGZ	AD		C	Tray rear plate
5	LPLTP5107FCZZ	AH		C	250 tray side plate F
6	PTME-0255FCZZ	AG		C	250 Tray pawl F
7	XRESP40-06000	AA		C	E-ring
8	PSHEP0061QSZZ	AA		C	Tray guide sheet
9	XEBSE30P08000	AA		C	Screw(3x8)
10	LX-WZ2028SCZZ	AA		C	Washer(φ12)
11	NGERH0193FCZZ	AB		C	Manual feeding gear
12	TLABZ3568FCZZ	AB		D	Indication label
13	LPLTP5108FCZZ	AH		C	250 tray side plate R
14	PTME-0256FCZZ	AG		C	250 Tray pawl R
15	MSPRC0108QSZZ	AC		C	250 Tray spring
16	MSPRC1873FCZ1	AB		C	Tray spring
17	MSPRC1145FCZZ	AA		C	Stopper spring
18	LSTPP0161FCZZ	AB		C	Rotation plate stopper
19	GCASP0001QSZZ	AY		D	250 Tray case
	(Unit)				
901	CCASP0001RS53	BE		E	250 Tray unit

26 250 sheets tray

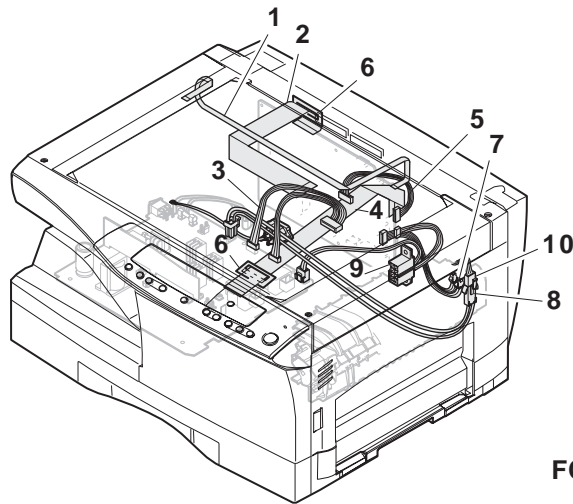


FCP05100

27 Harness

NO.	PARTS CODE	PRICE RANK	NEW MARK	PART RANK	DESCRIPTION
1	DHA i - 0 0 4 1 Q S Z Z	AF		C	CL lead harness
2	DHA i - 0 0 4 2 Q S Z Z	AK		C	ICU-CCD harness
3	DHA i - 0 0 3 9 Q S Z Z	BD		C	Center frame harness
4	DHA i - 0 0 4 0 Q S Z Z	AK		C	OP harness (AL-1340/1451)
	DHA i - 0 1 6 8 Q S Z Z	AK		C	OP harness (AL-1551)
5	DHA i - 0 0 4 5 Q S Z Z	AD		C	Main motor harness
6	P S H E Z 0 1 4 1 Q S Z Z	AC		C	Core holding mylar
7	DHA i - 0 0 3 7 Q S Z 1	AS		C	PPD2 interface harness
8	DHA i - 0 0 2 9 Q S Z Z	AN		C	HL harness 1 (100VSeries)
9	DHA i - 0 0 3 8 Q S Z Z	AS		C	DVS harness
10	DHA i - 0 0 3 0 Q S Z 1	AN		C	HL harness 2 (100VSeries)

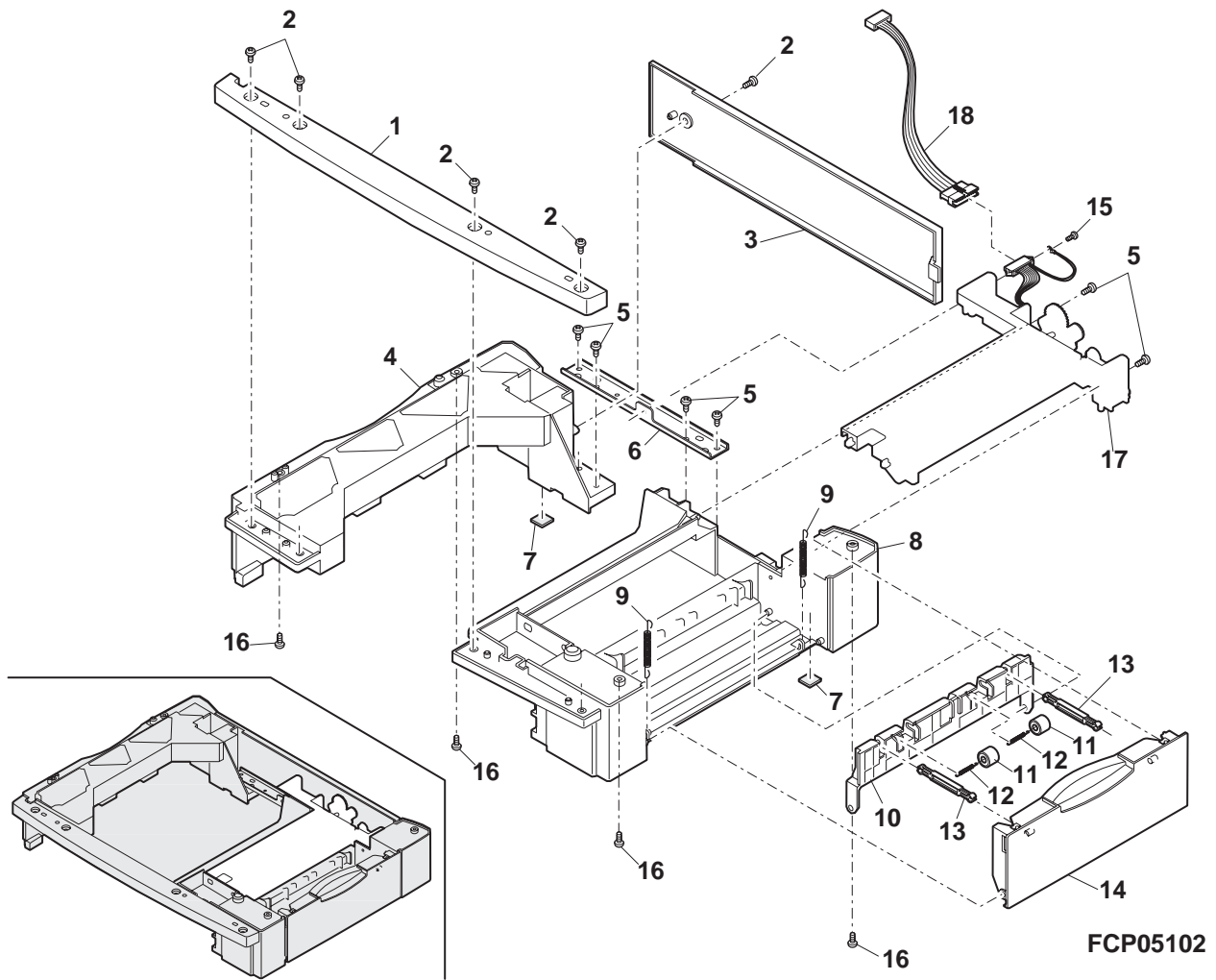
27 Harness



28 2ND frame unit(AL-1551)

NO.	PARTS CODE	PRICE RANK	NEW MARK	PART RANK	DESCRIPTION
1	GCOVA0005QSZZ	AM		D	Front cover
2	XEBSE40P12000	AA		C	Screw(4x12)
3	GCOVA0006QSZZ	AN		D	Rear cover
4	PGIDM0016QSZZ	AY		C	Guide L
5	XEBSD40P12000	AA		C	Screw(4x12)
6	LPLTM0036QSZZ	AF		C	2ND joint plate R
7	GLEGG0064FCZZ	AC		C	Rubber foot
8	PGIDM0015QSZZ	AY		C	Guide R
9	MSPRC2544FCZZ	AC		C	2ND transport cover spring
10	GCOVA0007QSZZ	AK		D	Transport cover
11	NROLP1060FCZZ	AF		C	U-turn roller
12	MSPRT0112QSZ1	AC		C	Transport collar spring
13	MARMP0012QSZZ	AD		C	2ND door arm
14	GCOVA0008QSZZ	AK		D	Right cover
15	XHBSD40P08000	AA		C	Screw(4x8)
16	XEBSE40P16000	AA		C	Screw(3x16)
17	CFRM-0009RS51	BG		E	2ND paper feeding unit
18	DHAi-0053QSZZ	AM		C	2CS interface harness

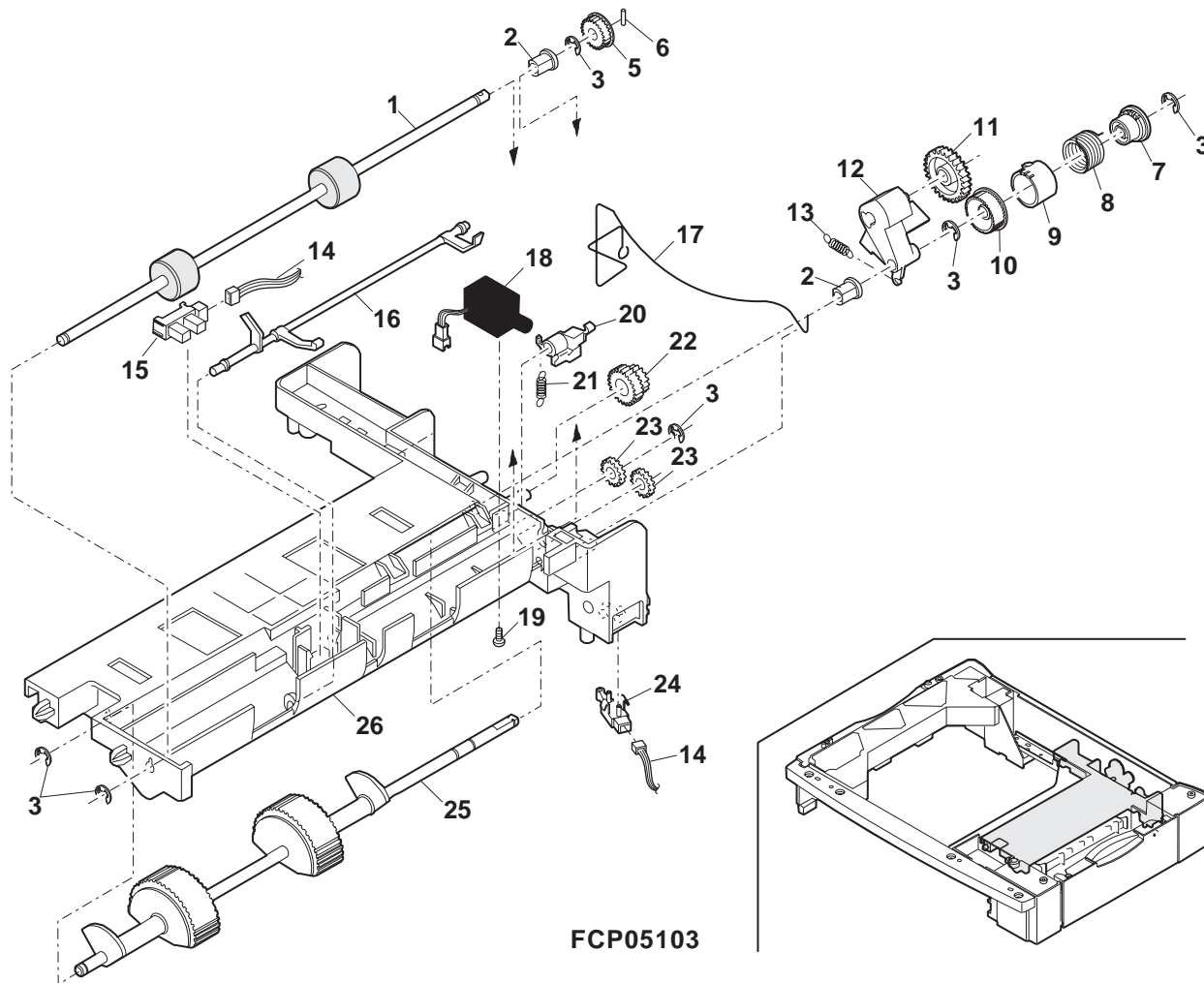
28 2ND frame unit(AL-1551)



29 2ND paper feeding unit(AL-1551)

NO.	PARTS CODE	PRICE RANK	NEW MARK	PART RANK	DESCRIPTION
1	NROLP0019QSZ1	AP		C	Transport roller
2	NBRGC0016QSZZ	AD		C	Bearing(B-F5-13)
3	XRESP40-06000	AA		C	E-ring
5	NGERH0992FCZZ	AB		C	Gear(20T)
6	XPSSP20-07000	AA		C	Spring pin(φ2-7)
7	LBOSZ1031FCZZ	AC		C	Clutch boss
8	MSPRC0161QSZZ	AF		C	Clutch spring
9	PPiPP0007QSZZ	AD		C	Clutch sleeve
10	NGERH1132FCZZ	AH		C	Clutch gear(29T)
11	NGERH1207FCZZ	AF		C	2ND joint gear(40T)
12	MARMP0229FCZZ	AE		C	2ND joint arm
13	MSPRC2545FCZZ	AB		C	2ND joint arm spring
14	DHAi-0067QSZZ	AP		C	2ND harness
15	VHPGP1A71A1-1	AG		B	Photo transistor(GP1A71A1)
16	MLEVP0033QSZZ	AF		C	PPDI actuator
17	MSPRD0058QSZZ	AG		C	Earth spring
18	RPLU-0010QSZZ	AN		B	PF solenoid
19	XHBSD30P06000	AA		C	Screw(3x6)
20	PTME-0008QSZZ	AD		B	PF clutch pawl
21	MSPRC2546FCZZ	AB		C	2ND clutch pawl spring
22	NGERH0041QSZZ	AF		C	Gear(18/26T)
23	NGERH0990FCZZ	AB		C	Gear(16T)
24	QSW-B0003QSZZ	AF		B	Tray detect switch
25	CROLP0015QS01	AU		C	Paper feeding roller
26	LFRM-0009QSZ2	AQ		C	Paper feedind frame
	(Unit)				
901	CFRM-0009RS51	BG		E	2ND paper feeding unit

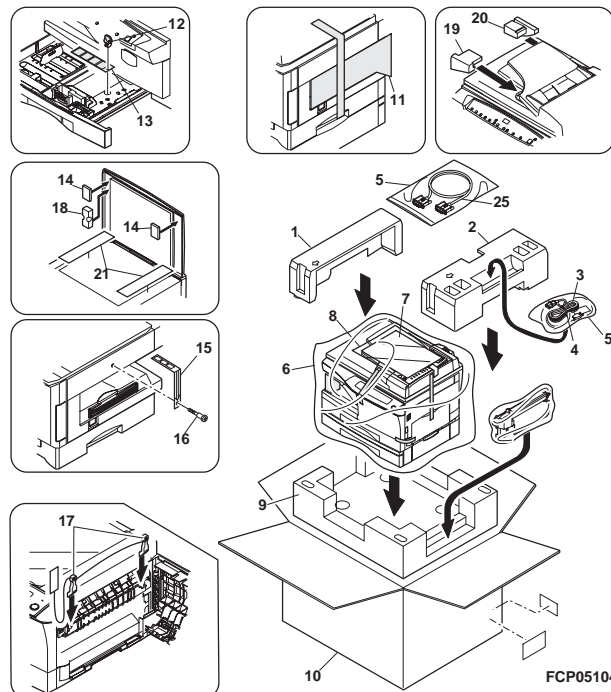
29 2ND paper feeding unit(AL-1551)



### 30 Packing material & accessories

NO.	PARTS CODE	PRICE RANK	NEW MARK	PART RANK	DESCRIPTION
1	SPAKA0049QSZZ	AP		D	Top packing L (AL-1340)
	SPAKA0063QSZZ	AQ		D	Top packing L (AL-1451)
	SPAKA0192QSZZ	AR		D	Top packing L (AL-1551)
2	SPAKA0048QSZZ	AP		D	Top packing R (AL-1340)
	SPAKA0062QSZZ	AQ		D	Top packing R (AL-1451)
	SPAKA0191QSZZ	AN		D	Top packing R (AL-1551)
3	QACCD7618QCZZ	AQ		B	AC cable
4	UBNDA0001FCZZ	AA		C	AC cable band
5	SSAKA5003CCZZ	AA		D	Vinyl bag(140x260mm)
6	SSAKZ0002QSZZ	AF		D	Body vinyl bag
7	TiNSE0675QSZZ	AV	N	D	Operation manual (AL-1340)[English]
	TiNSF0676QSZZ	AQ	N	D	Operation manual (AL-1340)[French]
	TiNSE0677QSZZ	AV	N	D	Operation manual (AL-1451)[English]
	TiNSF0678QSZZ	AQ	N	D	Operation manual (AL-1451)[French]
	TiNSE0679QSZZ	AV	N	D	Operation manual (AL-1551)[English]
	TiNSF0680QSZZ	AR	N	D	Operation manual (AL-1551)[French]
	TiNSE0673QSZZ	AT	N	D	Operation manual(GDI) [English]
8	TiNSF0674QSZZ	AM	N	D	Operation manual(GDI) [French]
	SSAKA2347QCZZ	AB		D	Vinyl bag(240x300mm)
9	SPAKA0047QSZZ	AX		D	Bottom packing (AL-1340)
	SPAKA0106QSZZ	AY		D	Bottom packing (AL-1451)
	SPAKA0066RSZZ	BM		D	Bottom packing (AL-1551)
10	SPAKC0052RS82	AU	N	D	Packing case (AL-1340)[U.S.A]
	SPAKC0052RS83	AW	N	D	Packing case (AL-1340)[Canada]
	SPAKC0107RS16	AX	N	D	Packing case (AL-1451)[U.S.A]
	SPAKC0107RS17	AY	N	D	Packing case (AL-1451)[Canada]
	SPAKC0108RS15	AV	N	D	Packing case (AL-1551)[U.S.A]
	SPAKC0108RS16	AY	N </td <td>D</td> <td>Packing case (AL-1551)[Canada]</td>	D	Packing case (AL-1551)[Canada]
11	SPAKA0050QSZZ	AE		D	Fixer packing
12	LHLDW1226FCZZ	AB		C	Turn fasner
13	TTAG-0002QSZZ	AB		D	Tray rotation tag
14	SPAKA0051QSZZ	AC		D	OC packing (AL-1340)
	SPAKA0064QSZZ	AC		D	OC packing(SPF) (AL-1451)
	SPAKA0163QSZZ	AC		D	OC packing(DSPF) (AL-1551)
15	TTAG-0003QSZZ	AC		D	Mirror fixing tag
16	LX-BZ0001QSZZ	AD		C	2nd,3rd mirror unit fixing screw
17	CLVP0016QS01	AL		C	Pressure block lever
18	SPAKA0068QSZZ	AD		D	Front exterior sub packing
19	SPAKA0188QSZZ	AF		D	Middle tray packing F (AL-1551)
20	SPAKA0189QSZZ	AF		D	Middle tray packing R (AL-1551)
21	SPAKA5116FCZZ	AB		D	SPF protect sheet (AL-1451/1551)
25	QCNW-7212XCZZ	AY		C	Printer cable
101	TCADZ0014QSZZ	AE		D	MSDS card
102	TCADZ0030GCZZ	AD		D	Lisence card
103	TCADZ0037QSZZ	AC		D	Slip sheet (U.S.A)
104	TCADZ0083QSZZ	AF		D	Card (Canada)
105	TCADZ0132QSZZ	AC		D	Supply slip sheet (U.S.A)
106	CDSKA0013QS31	AL	N	D	CD-ROM

### 30 Packing material & accessories



FCP05104

31 Operation PWB

NO.	PARTS CODE	PRICE RANK	NEW MARK	PART RANK	DESCRIPTION
1	QCNCM0861FCZZ	AB		C	Connector(3pin) [CN802]
2	QCNCW1132LC1H	AD		C	Connector(18pin) [CN801]
3	QSW-P0005QSZZ	AC		B	Tact swtch(B3F-6102) [CLK,PSW,1UPK,10UPK,ZUPK,ZDWK]
	QSW-P0005QSZZ	AC		B	Tact swtch(B3F-6102) [MAGK,CRSK,EXUPK,EXMODK,EXDWK]
	QSW-P0005QSZZ	AC		B	Tact swtch(B3F-6102) (AL-1551)[BPK,DUPK]
4	VCCCTV1HH201J	AA		C	Capacitor(50WV 200pF) [C904,905,906]
5	VCEAJU1CW476M	AB		C	Capacitor(16WV 47μF) [C802]
6	VCKYTV1EB104K	AA		C	Capacitor(25WV 0.10μF) [C907,908]
7	VCKYTV1HB102K	AA		C	Capacitor(50WV 1000pF) [C909-920,922]
8	VCKYTV1HB223K	AA		C	Capacitor(50WV 0.022μF) [C901,903]
9	VHDDSS133//--1	AA		B	Diode(DSS133) [D801-810]
10	VHILC7935//--1	AN		B	IC(LC7935) [IC901]
11	VHITC74HC151F	AG		B	IC(TC74H151F) [IC902,903]
12	VHP1LHLE-002A	AC		B	LED(Green)(1LHLE-002A) [CS1L,EXD,EXN,EXL,AE,ZPL,1ENR]
	VHP1LHLE-002A	AC		B	LED(Green)(1LHLE-002A) [2ENR,NOR,1RE,2RE,3RE,ME,PE]
	VHP1LHLE-002A	AC		B	LED(Green)(1LHLE-002A) [RPL,ONLL,PML]
	VHP1LHLE-002A	AC		B	LED(Green)(1LHLE-002A) (AL-1551)[DAA1,DAA2,DU21,DU22,CS2L,BPL]
	VHP1LHLE-002A	AC		B	LED(Green)(1LHLE-002A) (AL-1451/1551)[SPFL]
13	VHP1LHEE-002A	AC		B	LED (Red)(1LHEE-002A) [TPL,DPL,JPL,MPL]
	VHP1LHEE-002A	AC		B	LED (Red)(1LHEE-002A) (AL-1451/1551)[SJAL]
14	VHPCST338G-25	AP		B	LED(CST338G-25) [LEDM]
15	VRS-TP2BD000J	AA		C	Resistor(1/8W 0Ω)
16	VRS-TS2AD101J	AA		C	Resistor(1/10W 100Ω ±5%)
17	VRS-TS2AD102J	AA		C	Resistor(1/10W 1.0KΩ ±5%)
18	VRS-TS2AD103J	AA		C	Resistor(1/10W 10KΩ ±5%)
19	VRS-TS2AD121J	AA		C	Resistor(1/10W 120Ω ±5%)
20	VRS-TS2AD151J	AA		C	Resistor(1/10W 150Ω ±5%)
21	VRS-TS2AD152J	AA		C	Resistor(1/10W 1.5KΩ ±5%)
22	VRS-TS2AD472J	AA		C	Resistor(1/10W 4.7KΩ ±5%)
23	VRS-TS2AD511J	AA		C	Resistor(1/10W 510Ω ±5%)
24	VSDTB113ZK/-1	AD		B	Transistor(DTB113ZK) [Q901,902,903]
	(Unit)				
901	CPWBF0014QSE1	BC	N	E	Operation PWB (AL-1340)
	CPWBF0014QSF3	BD	N	E	Operation PWB (AL-1451)
	CPWBF0014QSF1	BD	N	E	Operation PWB (AL-1551)

32 MCU PWB

NO.	PARTS CODE	PRICE RANK	NEW MARK	PART RANK	DESCRIPTION
1	P GSK-0002QSZZ	AD		C	Gasket (AL-1451/1551)
2	P SHEZ0110QSZZ	AB		C	MCU inshrator (AL-1451/1551)
3	QCNCM0923FC14	AE		C	Connector(14pin) (AL-1451/1551)[CN106]
4	QCNCM0923FC18	AF		C	Connector(18pin) [CN119]
5	QCNCM0923FC24	AF		C	Connector(24Pin) (AL-1451/1551)[CN101]
	QCNCM0923FC24	AF		C	Connector(24Pin) (AL-1451/1551)[CN123]
6	QCNCM1005MCZZ	AB		C	Connector(2pin) [CN105]
7	QCNCM1069AC0D	AC		C	Connector(4pin) [CN103]
8	QCNCM1119LC0C	AC		C	Connector(3pin) (AL-1451/1551)[CN126]
9	QCNCM1119LC0E	AC		C	Connector(5pin) [CN109]
10	QCNCM2401SC0C	AB		C	Connector(3pin) [CN111]
11	QCNCM2401SC0D	AC		C	Connector(4pin) [CN112]
12	QCNCM2401SC0E	AC		C	Connector(5pin) [CN110]
13	QCNCM2401SC0F	AB		C	Connector(6pin) [CN117]
14	QCNCM7014SC0C	AA		C	Connector(3pin) [CN104,118,125]
15	QCNCM7014SC0D	AB		C	Connector(4pin) [CN107]
16	QCNCM7014SC0E	AB		C	Connector(5pin) [CN120]
17	QCNCM0340QCZZ	AC		C	Connector(3pin) [CN102]
18	QCNCM0038QSZZ	AH		C	Connector(40pin) [CN108]
19	QCNCW0015QSZZ	AE		C	Connector(5pin) [CN122]
20	QCNCW0024QSZZ	AF		C	FFC connector(32pin) [CN124]
21	QCNCW0948FCZ5	AC		C	Connector(5pin) (AL-1551)[CN115]
22	QCNCW1124LC0D	AB		C	Connector(4pin) [CN121]
23	QCNCW1124LC0H	AC		C	Connector(8pin) [CN113]
24	QCNCW1124LC1H	AD		C	Connector(18pin) [CN116]
25	QCNCW1124LC2F	AD		C	Connector(26pin) [CN114]
26	QSOCZ0002QSZZ	AD		C	IC socket(8pin) [IC112]
27	QSOCZ0003QSZZ	AD		C	IC socket(40pin) [IC105]
28	RCILZ0003QSZZ	AC		C	Coil(HF50ACC201209) [L106,110]
	RCILZ0003QSZZ	AC		C	Coil(HF50ACC201209) (AL-1451/1551)[L104,105,111,112]
	RCILZ0003QSZZ	AC		C	Coil(HF50ACC201209) (AL-1340)[L113,114,115,116]
29	RCILZ0004QSZZ	AE		C	Coil(NFM839R02C470R101) [NF101,102]
30	RFILZ0004QSZZ	AM		C	Coil(SBO-02SAN) [L101-103,107-109,117-120]
31	RCRSZ0001QSZZ	AG		B	Crystal(19.6608MHZ) [X101]
32	RCRSZ0011QSZZ	AP		B	Crystal(15.4265074MHZ) [X102]
33	RCRSZ0003QSZZ	AP		B	Crystal(22.000MHZ) [X103]
34	RH-DZ0016FCZZ	AB		B	Diode(MA700) [D108]



32 MCU PWB

NO.	PARTS CODE	PRICE RANK	NEW MARK	PART RANK	DESCRIPTION
35	RMPTW4100QCJJ	AA		B	Block resistor(10Ω×4) [R130,134,136,139]
	RMPTW4100QCJJ	AA		B	Block resistor(10Ω×4) [R156,157,171,173]
36	RMPTW4102QCJJ	AB		B	Block resistor(1.0KΩ×4) [BR119,120]
	RMPTW4102QCJJ	AB		B	Block resistor(1.0KΩ×4) (AL-1451/1551)[BR169]
37	RMPTW4203QCJJ	AA		B	Block resistor(20KΩ×4) [BR101-118,121,122]
	RMPTW4203QCJJ	AA		B	Block resistor(20KΩ×4) [BR127-129,137,141-151]
	RMPTW4203QCJJ	AA		B	Block resistor(20KΩ×4) [BR161,164-168]
	RMPTW4203QCJJ	AA		B	Block resistor(20KΩ×4) (AL-1340/1451)[BR174]
	RMPTW4203QCJJ	AA		B	Block resistor(20KΩ×4) (AL-1340)[BR175,176]
38	RMPTW4300QCJJ	AA		B	Block resistor(30Ω×4 1/32W ±5%)
39	RMPTW4470QCJJ	AB		B	Block resistor(47Ω×4 1/32W ±5%)
	RMPTW4470QCJJ	AB		B	Block resistor(47Ω×4 1/32W ±5%)
40	RRLYD342CQCZZ	AM		B	Relay(RSB-24) (AL-1451/1551)[RY101,102]
	VCCCCY1HH101J	AA		C	Capacitor(50WV 100pF) [C266,267,275,279-284,294]
41	VCCCCY1HH101J	AA		C	Capacitor(50WV 100pF) [R296-300,304,306,307,312]
	VCCCCY1HH101J	AA		C	Capacitor(50WV 100pF) [R319-321,324,333-338]
	VCCCCY1HH101J	AA		C	Capacitor(50WV 100pF) [R344-346,348,355]
	VCCCCY1HH101J	AA		C	Capacitor(50WV 100pF) [R356,361,362,365,366,371]
	VCCCCY1HH120J	AA		C	Capacitor(50WV 12pF) [C378,358]
42	VCCCCY1HH180J	AA		C	Capacitor(50WV 18pF) [C213,351,352,390,391,393]
	VCCCCY1HH180J	AA		C	Capacitor(50WV 18pF) [C394,396,404,447-450]
44	VCCCCY1HH330J	AA		C	Capacitor(50WV 33pF) [C305,314,317,374]
	VCCCCY1HH330J	AA		C	Capacitor(50WV 33pF) [C414-417,424-427]
	VCCCCY1HH330J	AA		C	Capacitor(50WV 33pF) (AL-1451/1551)[C293]
45	VCCCCY1HH470J	AA		C	Capacitor(50WV 47pF) [C209-212,214,231-238]
	VCCCCY1HH470J	AA		C	Capacitor(50WV 47pF) [C240-243,247-254,260]
	VCCCCY1HH470J	AA		C	Capacitor(50WV 47pF) [C268-273,285-287,308,316]
	VCCCCY1HH470J	AA		C	Capacitor(50WV 47pF) [C332,342,343,360,370,429]
46	VCEAGU1CW106M	AA		C	Capacitor(16WV 10μF) [C106,109,110,113]
47	VCEAGU1CW107M	AB		C	Capacitor(16WV 100μF) [C102]
48	VCEAGU1CW226M	AA		C	Capacitor(16WV 22μF) [C101,108]
49	VCEAGU1CW476M	AB		C	Capacitor(16WV 47μF) [C116]
50	VCEAGU1EW106M	AA		C	Capacitor(25WV 10μF) [C114,115]
51	VCEAGU1EW476M	AB		C	Capacitor(25WV 47μF) [C112]
52	VCEAGU1HW474M	AA		C	Capacitor(50WV 0.47μF) [C104]
53	VCEAGA1VW106M	AA		C	Capacitor(35WV 10μF) [C105]
54	VCEAGA1VW226M	AC		C	Capacitor(35WV 22μF) [C103]
55	VCEAGU1VW476M	AB		C	Capacitor(35WV 47μF) [C111]
56	VCKYCY1CF104Z	AA		C	Capacitor(16WV 0.1μF) [C201,206-208,216,245]
	VCKYCY1CF104Z	AA		C	Capacitor(16WV 0.1μF) [C257-259,274,295,309,310]
	VCKYCY1CF104Z	AA		C	Capacitor(16WV 0.1μF) [C313,315,318,322,323,325-330]
	VCKYCY1CF104Z	AA		C	Capacitor(16WV 0.1μF) [C340,341,347,353,354,357,359]
	VCKYCY1CF104Z	AA		C	Capacitor(16WV 0.1μF) [C363,375,381,385,389,392,397]
	VCKYCY1CF104Z	AA		C	Capacitor(16WV 0.1μF) [C408-410,413,420-423]
	VCKYCY1CF104Z	AA		C	Capacitor(16WV 0.1μF) [C428,432-434,436-445]
	VCKYCY1CF104Z	AA		C	Capacitor(16WV 0.1μF) (AL-1451/1551)[C228,302]
57	VCKYCY1EB223K	AA		C	Capacitor(25WV 0.022μF) [C219,246,264,265,303,376]
	VCKYCY1EB223K	AA		C	Capacitor(25WV 0.022μF) [C380,382,386,412]
58	VCKYCY1HB102K	AA		C	Capacitor(50WV 1000pF) [C202,203,204,217,221,222,223]
	VCKYCY1HB102K	AA		C	Capacitor(50WV 1000pF) [C224,225,239,244,255,256]
	VCKYCY1HB102K	AA		C	Capacitor(50WV 1000pF) [C261,262,263,277,278,288]
	VCKYCY1HB102K	AA		C	Capacitor(50WV 1000pF) [C289,290,291,301,311,331]
	VCKYCY1HB102K	AA		C	Capacitor(50WV 1000pF) [C339,349,350,364,367,368]
	VCKYCY1HB102K	AA		C	Capacitor(50WV 1000pF) [C369,377,379,384,387,395]
	VCKYCY1HB102K	AA		C	Capacitor(50WV 1000pF) [C399,405,406,407,418,419]
	VCKYCY1HB102K	AA		C	Capacitor(50WV 1000pF) [C430,431,435,452]
	VCKYCY1HB102K	AA		C	Capacitor(50WV 1000pF) (AL-1451/1551)[C226,227,229,230,276,292]
59	VCKYCY1HB222K	AA		C	Capacitor(50WV 1000pF) (AL-1451/1551)[C388,402,403,446,451]
61	VCKYT1HB104K	AC		C	Capacitor(50WV 0.1μF) [C215]
62	VCQYNU1HM104K	AB		C	Capacitor(50WV 0.10μF) [C107]
63	VHDDAN202U/-1	AB		B	Diode(DAN202U) [D113-115,117,118,121]
	VHDDAN202U/-1	AB		B	Diode(DAN202U) [D122,126,128,131]
64	VHDDAP202U/-1	AB		B	Diode(DAP202U) [D110-112,116,119]
	VHDDAP202U/-1	AB		B	Diode(DAP202U) [D120,124,129,132]
65	VHDDA204K/-1	AC		B	Diode(DA204K) [D201,202,203,205-208]
66	VHDDSS133///-1	AA		B	Diode(DSS133) [D101,103-107,109]
	VHDDSS133///-1	AA		B	Diode(DSS133) [D125,127,130]
67	VHD1N4005E/-1	AB		B	Diode(1N4005E) [D102]
68	VHEMTZJ22B/-1	AA		B	Zener diode(MTZJ22B) (AL-1551)[D123]
69	VH1HG73C025FD	BE		B	IC(HG73C025FD) [IC110]
70	VH1H8S/2350FP	AY		B	CPU(H8S/2350FP) [IC108]
71	VH1LM358PS/-S	AC		B	IC(LM358PS) [IC209]
72	VH1M24C02WBN6	AG		B	IC(M24C02WBN6) [IC112]
73	VH1M51953BL-1	AF		B	IC(M51953BL) [IC106]
74	VH1M66236FP-1	AT		B	IC(M66236FP) [IC208]
75	VH1NJM2903M/-	AD		B	IC(NJM2903M) [IC201]
76	VH1NJM3414AM1	AF		B	IC(NJM3414AM1) [IC210]
77	VH1MTD1361F-1	AR		B	IC(MTD1361F) [IC113]

32 MCU PWB

NO.	PARTS CODE	PRICE RANK	NEW MARK	PART RANK	DESCRIPTION
78	VH i SN74LS07NS	AF		B	IC(SN74LS07NS) [IC207,205]
79	VH i TA7291S/-1	AF		B	IC(TA7291S) [IC101]
80	VH i TC74HC14FN	AH		B	IC(TC74HC14FN) [IC211]
81	VH i TC74HC151F	AG		B	IC(TC74HC151F) [IC203,206]
	VH i TC74HC151F	AG		B	IC(TC74HC151F) (AL-1451/1551)[IC202]
82	VH i TD62003AP1	AG		B	IC(TD62003AP1) [IC103,102]
83	VH i TD62064AF/-	AM		B	IC(TD62064AF) (AL-1451/1551)[IC114]
	VH i TD62064AF/-	AM		B	IC(TD62064AF) (AL-1551)[IC111]
84	VH i TD62503F/-	AG		B	IC(TD62503F) [IC109]
85	RH - i X0009QSZZ	AP		B	IC(UT61256JC-12) [IC104,107,115,116]
86	VH i 74VHC08/-1	AE		B	IC(74VHC08) [IC204]
87	VH i 27C02062QS	AZ	N	B	IC(27C02062QS) (AL-1340)[IC105]
	VH i 27C02064QS	AZ	N	B	IC(27C02064QS) (AL-1451)[IC105]
	VH i 27C02066QS	AZ	N	B	IC(27C02066QS) (AL-1551)[IC105]
88	VHV i CPN38//--1	AF		B	IC protector(ICPN38) [CP102]
	VHV i CPN38//--1	AF		B	IC protector(ICPN38) (AL-1551)[CP101]
89	VRS -CY1JD000J	AA		C	Resistor(1/16W 0Ω ±5%)
90	VRNHT2EK1301F	AB		B	Resistor(1/4W 1.3KΩ ±1%)
	VRNHT2EK2401F	AA		B	Resistor(1/4W 2.4KΩ ±1%)
91	VRS -CY1JD100J	AA		C	Resistor(1/16W 10Ω ±5%)
	VRS -CY1JD100J	AA		C	Resistor(1/16W 10Ω ±5%)
92	VRS -CY1JD101J	AA		C	Resistor(1/16W 100Ω ±5%)
93	VRS -CY1JD102F	AA		C	Resistor(1/16W 1KΩ ±1%)
94	VRS -CY1JD102J	AA		C	Resistor(1/16W 1.0KΩ ±5%)
	VRS -CY1JD102J	AA		C	Resistor(1/16W 1.0KΩ ±5%)
	VRS -CY1JD102J	AA		C	Resistor(1/16W 1.0KΩ ±5%)
	VRS -CY1JD102J	AA		C	Resistor(1/16W 1.0KΩ ±5%)
	VRS -CY1JD102J	AA		C	Resistor(1/16W 1.0KΩ ±5%)
95	VRS -CY1JD103F	AB		C	Resistor(1/16W 10KΩ ±5%)
96	VRS -CY1JD103J	AA		C	Resistor(1/16W 10KΩ ±5%)
	VRS -CY1JD103J	AA		C	Resistor(1/16W 10KΩ ±5%)
	VRS -CY1JD103J	AA		C	Resistor(1/16W 10KΩ ±5%)
97	VRS -CY1JD105F	AA		C	Resistor(1/16W 1.0MΩ ±1%)
98	VRS -CY1JD122J	AA		C	Resistor(1/16W 1.2KΩ ±5%)
99	VRS -CY1JD152J	AA		C	Resistor(1/16W 1.5KΩ ±5%)
	VRS -CY1JD152J	AA		C	Resistor(1/16W 1.5KΩ ±5%)
100	VRS -CY1JD202J	AA		C	Resistor(1/16W 2KΩ ±5%)
101	VRS -CY1JD203J	AA		C	Resistor(1/16W 20KΩ ±5%)
	VRS -CY1JD203J	AA		C	Resistor(1/16W 20KΩ ±5%)
	VRS -CY1JD203J	AA		C	Resistor(1/16W 20KΩ ±5%)
	VRS -CY1JD203J	AA		C	Resistor(1/16W 20KΩ ±5%)
	VRS -CY1JD203J	AA		C	Resistor(1/16W 20KΩ ±5%)
	VRS -CY1JD203J	AA		C	Resistor(1/16W 20KΩ ±5%)
102	VRS -CY1JD205J	AA		C	Resistor(1/16W 2.0MΩ ±5%)
103	VRS -CY1JD222J	AA		C	Resistor(1/16W 2.2KΩ ±5%)
	VRS -CY1JD222J	AA		C	Resistor(1/16W 2.2KΩ ±5%)
104	VRS -CY1JD242J	AA		C	Resistor(1/16W 2.4KΩ ±5%)
105	VRS -CY1JD301J	AA		C	Resistor(1/16W 300Ω ±5%)
106	VRS -CY1JD331J	AA		C	Resistor(1/16W 330Ω ±5%)
107	VRS -CY1JD332J	AA		C	Resistor(1/16W 3.3KΩ ±5%)
108	VRS -CY1JD333J	AA		C	Resistor(1/16W 33KΩ ±5%)
109	VRS -CY1JD470J	AA		C	Resistor(1/16W 47Ω ±5%)
	VRS -CY1JD470J	AA		C	Resistor(1/16W 47Ω ±5%)
	VRS -CY1JD470J	AA		C	Resistor(1/16W 47Ω ±5%)
110	VRS -CY1JD472J	AA		C	Resistor(1/16W 4.7KΩ ±5%)
111	VRS -CY1JD473J	AA		C	Resistor(1/16W 47KΩ ±5%)
112	VRS -CY1JD512J	AA		C	Resistor(1/16W 5.1KΩ ±5%)
113	VRS -CY1JD621F	AA		C	Resistor(1/16W 620Ω ±1%)
114	VRS -CY1JD621J	AA		C	Resistor(1/16W 620Ω ±5%)
115	VRS -CY1JD680J	AA		C	Resistor(1/16W 68Ω ±5%)
116	VRS -CY1JD751J	AA		C	Resistor(1/16W 75Ω ±5%)
117	VRS -CY1JD752J	AA		C	Resistor(1/16W 7.5KΩ ±5%)
118	VRS -CY1JD912J	AA		C	Resistor(1/16W 9.1KΩ ±5%)
119	VRS -HT3DAR22J	AA		C	Resistor(2W 0.22Ω ±5%)
120	VRS -HT3DA1R0J	AB		C	Resistor(2W 1.0Ω ±5%)
121	VRS -HT3DA102J	AA		C	Resistor(2W 1.0KΩ ±5%)
122	VRS -TP2BD121J	AA		C	Resistor(1/8W 120Ω ±5%)
123	VRS -TP2BD151J	AA		C	Resistor(1/8W 150Ω ±5%)
	VRS -TP2BD151J	AA		C	Resistor(1/8W 150Ω ±5%)
124	VRS -TP2BD221J	AB		C	Resistor(1/8W 220Ω ±5%)
125	VRS -TP2BD241J	AA		C	Resistor(1/8W 240Ω ±5%)
126	VRS -TP2BD432J	AA		C	Resistor(1/8W 4.3KΩ ±5%)
127	VRS -TP2BD472J	AA		C	Resistor(1/8W 4.7KΩ ±5%)
128	VS DTA143XK/-1	AB		B	Transistor(DTA143XK) [Q204]
129	VS DTC114EKA-1	AC		B	Transistor(DTC114EKA) [Q202]
130	VS 2SA1036KQRC	AB		B	Transistor(2SA1036KQRC) [Q201,203]
131	VS 2SD1853-/-1	AC		B	Transistor(2SD1853) (AL-1451/1551)[Q101]
132	VHDM1FL20U+-1	AC		B	Diode(M1FL20U) [Q101]
	(Unit)				
901	CPWBX0101Q546	BZ	N	E	MCU PWB (AL-1340)

32 MCU PWB

NO.	PARTS CODE	PRICE RANK	NEW MARK	PART RANK	DESCRIPTION
901	CPWBX0101QS4C	BZ	N	E	MCU PWB (AL-1451)
	CPWBX0101QS4J	BZ	N	E	MCU PWB (AL-1551)

33 GDI PWB

NO.	PARTS CODE	PRICE RANK	NEW MARK	PART RANK	DESCRIPTION
1	QCNCW0946FCZZ	AH		C	Connector(36pin) [CN501]
2	QCNCW1124LC2F	AD		C	Connector(26pin) [CN502]
3	RC-K1E104HCZZ	AB		C	Capacitor(25WV 0.1μF) [C501-503]
4	VCCCTV1HH101J	AA		C	Capacitor(50WV 100PF) [C601-608,614-618]
5	VCCCTV1HH330J	AA		C	Capacitor(50WV 33PF) [C610,611]
6	VCCCTV1HH561J	AA		C	Capacitor(50WV 560PF) [C612]
7	VCEAGU1CW476M	AB		C	Capacitor(16WV 47μF) [C504]
8	VCKYTV1HB102K	AA		C	Capacitor(50WV 1000PF) [C609]
9	VCKYTV1HB223K	AA		C	Capacitor(50WV 0.022μF) [C613]
10	VHDDSS133/-1	AA		B	Diode(DSS133) [D501-517]
11	VH174LS244NS1	AH		B	IC(74LS244NS1) [IC602,603]
12	VH174LS245NS1	AF		B	IC(74LS245NS1) [IC601]
13	VRD-HT2HY101J	AA		C	Resistor(1/2W 100Ω ±5%)
14	VRS-TS2AD122J	AA		C	Resistor(1/10W 1.2KΩ ±5%)
15	VRS-TS2AD220J	AA		C	Resistor(1/10W 22Ω ±5%)
16	VRS-TS2AD332J	AA		C	Resistor(1/10W 3.3KΩ ±5%)
	(Unit)				
901	CPWBF0012QSE1	BC		E	GDI PWB

34 GDI memory PWB(6MB)

NO.	PARTS CODE	PRICE RANK	NEW MARK	PART RANK	DESCRIPTION
1	QCNCM0011QSZZ	AH		C	Connector(40pin) [CN701]
2	VCKYTQ1HF104Z	AA		C	Capacitor(50WV 0.10μF) [C701,702,705]
3	VCKYTV1HB223K	AA		C	Capacitor(50WV 0.022μF) [C703]
4	VH116163CLT-6	BA		B	DRAM(16163CLT-6) [IC701,702,703]
5	VRS-TS2AD100J	AA		C	Resistor(1/10W 10Ω ±5%)
	(Unit)				
901	CPWBF0013QSE2	BM		E	GDI memory PWB 6MB

35 DC power supply PWB

NO.	PARTS CODE	PRICE RANK	NEW MARK	PART RANK	DESCRIPTION
2	QPLGZ0430PAZZ	AE		C	Connector(B6-PH-K-S)(6PIN) [CN6]
3	QPLGZ0557PAZZ	AD		C	Connector(B02P-NV) [CN10]
4	QPLGZ0558PAZZ	AE		C	Connector(B04P-XL) [CN8]
5	QPLGZ0559PAZZ	AG		C	Connector(B14B-PH-DSS) [CN1]
6	RATTT0004PAZZ	AP		B	Arrestor(DSA-242MA-05F25) [A1]
7	RC-EZ0425PAZZ	AR		C	Capacitor(MXR470MF 200V) [C6]
8	RC-FZ137DPAZZ	AE		C	Capacitor(PA 0.1MF/250V) [C16]
9	RC-FZ138DPAZZ	AE		C	Capacitor(PA 0.22MF/250V) [C3,4B]
13	RC-KZ4014PAZZ	AC		C	Capacitor(ECKD3A471KBP) [C10]
14	RC-KZ4015PAZZ	AC		C	Capacitor(KBP 2200PF/1KV) [C50]
16	RC-QZ0218PAZZ	AC		C	Capacitor(TS 2200PF/250V) [C4,5,11]
17	RC-QZ0221PAZZ	AD		C	Capacitor(0.01MF/250V) [C7]
19	RC-QZA102PARK	AC		C	Capacitor(102PF/K/50V) [C20]
20	RC-QZA103PARK	AC		C	Capacitor(103PF/K/50V) [C8,22]
21	RC-QZA104PARK	AC		C	Capacitor(104PF/K/50V) [C13,17,21]
22	RC-QZA223PARK	AC		C	Capacitor(223PF/K/50V) [C14]
24	RC-QZA472PARK	AC		C	Capacitor(472PF/K/50V) [C9]
26	RCORF4092PAZZ	AC		C	Core [BJ2,3]
28	RH-iX1950PAZZ	AF		B	IC(HA17431PA) [IC1,2]
29	RH-iX2251PAZZ	AR		B	IC(PQ30RV31) [IC52]
30	RH-iX2257PAZZ	AK		B	IC(BA033T/FP) [IC53]
31	RH-iX2258PAZZ	AH		B	IC(78M12) [IC51]
32	RH-PX0296PAZZ	AF		B	Photo coupler(PC817X2) [PC1,3]
33	RH-PX0307PAZZ	AK		B	Photo thyristor(S11MD5V) [PC2]
37	RR-SN1201PA6F	AB		C	Resistor(1/6W 122J) [R25]
38	RR-SN3900PA6F	AB		C	Resistor(1/6W 391J) [R26]
39	RR-SZ0034PAZZ	AC		C	Resistor(2W-22Ω) [R9]
40	RR-SZ0048PAZZ	AC		C	Resistor(RSS2L15 1KΩ) [R69,71,73]
41	RR-SZ0057PAZZ	AC		C	Resistor(2W-330J) [R3]

## 35 DC power supply PWB

NO.	PARTS CODE	PRICE RANK	NEW MARK	PART RANK	DESCRIPTION	
42	RR-WZ0028PAZZ	AF		C	Resistor(5W-3K RGBS)	[R1B]
43	RR-XZ0051PAZZ	AC		C	Resistor(RF16S-4.7J)	[R4]
44	RR-XZ0078PAZZ	AC		C	Resistor(FUSE-R 1/6W-33J)	[R12]
45	RR-XZ4002PAZZ	AC		C	Resistor(1/4W 121J)	[R15,17]
46	RR-XZ4003PAZZ	AC		C	Resistor(1/4W 101J)	[R16]
47	RRLYZ0100PAZZ	AN		B	Relay(OMI-SS-124LM)	[RY1]
50	RTRNZ0202PANT	AL		B	Line filter(Z0202)	[L12]
51	RTRNZ0609PACD	AW		B	Transformer(Z0609)	(AL-1340)[T1]
	RTRNZ0628PACD	AU		B	Transformer(Z0609)	(AL-1451/1551)[T1]
55	RVR-M0390PAZZ	AD		B	Variable resistor(VR-1K)	[VR1]
59	VCEAFU1EM227M	AC		C	Capacitor(YXF 220MF/25V)	[C53]
60	VCEAFU1HM105M	AC		C	Capacitor(YXF 1MF/50V)	[C55]
62	VCEAFU1VM336M	AC		C	Capacitor(YXF 33MF/35V)	[C56-58]
64	VCEAFV1AM228M	AF		C	Capacitor(YXF 2200MF/10V)	[C54]
65	VCEAFV1VM108M	AF		C	Capacitor(YXF 1000MF/35V)	[C51,52]
67	VHD1N4005//-1	AC		B	Diode(1N4005-G23)	[D56]
68	VHD1SS244//-1	AC		B	Diode(1SS244)	[D2]
69	VHD1SS270A//-1	AA		B	Diode(1SS270A)	[D3,54]
70	VHDD5SBA60//-1	AH		B	Diode(D5SBA60)	[DB1]
72	VHDERA2206//-1	AD		B	Diode(ERA22-06)	[D1]
73	VHDERA9202//-1	AE		B	Diode(ERA92-02)	[D52]
75	VHDYG801C04-1	AG		B	Diode(YG801C04)	[D53]
76	VHDYG901C2//-1	AG		B	Diode(YG901C2)	[D51]
78	VHERD20ESB2-1	AC		B	Zener diode(RD20ES B2)	[ZD2]
80	VHERD30ESB1-1	AC		B	Zener diode(RD30ESB1(A))	[ZD53]
81	VHERD16ESB1-1	AC		B	Zener diode(RD16ES B1)	[ZD1]
87	VHH4D18////-1	AK		B	Power thermistor(4D18)	[TH1]
88	VHSTF321S////-1	AG		B	Thyristor(TF321S)	[SCR51]
89	VHSTM1641P/-F	AT		B	Thyristor(TM1641P-L(L))	[TRC1]
90	VHVC271D10A-1	AD		B	Varistor(C271D10A)	[ZR1]
91	VRD-ST2CD103J	AA		C	Resistor(ST1/6S-10KJ)	[R29]
92	VRD-ST2CD104J	AA		C	Resistor(ST1/6S-100KJ)	[R18,19]
94	VRD-ST2CD122J	AA		C	Resistor(ST1/6S-1.2KJ)	[R13]
95	VRD-ST2CD123J	AA		C	Resistor(ST1/6S-12KJ)	[R9]
96	VRD-ST2CD153J	AA		C	Resistor(ST1/6S-15KJ)	[R7]
98	VRD-ST2CD182J	AA		C	Resistor(ST1/6S-1.8KJ)	[R24]
100	VRD-ST2CD223J	AA		C	Resistor(ST1/6S-22KJ)	[R6,27]
101	VRD-ST2CD334J	AB		C	Resistor(ST1/6S-330KJ)	[R20]
	VRD-ST2CD274J	AB		C	Resistor(ST1/6S-270KJ)	[R21]
102	VRD-ST2CD330J	AA		C	Resistor(ST1/6S-33J)	[R68]
103	VRD-ST2CD331J	AA		C	Resistor(ST1/6S-330J)	[R14]
104	VRD-ST2CD333J	AA		C	Resistor(ST1/6S-33KJ)	[R23]
106	VRD-ST2CD472J	AA		C	Resistor(ST1/6S-4.7KJ)	[R58]
107	VRD-ST2CD473J	AA		C	Resistor(ST1/6S-47KJ)	[R22,28]
108	VRD-ST2CD474J	AA		C	Resistor(ST1/6S-470KJ)	[R2B]
110	VRD-ST2CD563J	AB		C	Resistor(ST1/6S-56KJ)	[R8]
112	VRD-ST2CD822J	AA		C	Resistor(ST1/6S-8.2KJ)	[R30]
115	VRD-ST2HF104J	AA		C	Resistor(ST1/2S-100KJ)	[R2]
118	VS2SC1213-C1A	AC		B	Transistor(2SC1213C)	[Q2]
119	VS2SC2785F/-1	AC		B	Transistor(2SC2785-FF)	[Q3]
121	VS2SK2081//1A	AR		B	Transistor(2SK2081)	[Q1]
122	QFS-B0030FCZZ	AH		A	Fuse(250V/15A)	[F1]
123	QFS-F0030PAZZ	AE		A	Fuse(125V/5A)	[F3]
	(Unit)					
901	CPWBF0017QS32	BU		E	DC power supply PWB	(AL-1340)
	CPWBF0017QS35	BU		E	DC power supply PWB	(AL-1451/1551)

■ Index

PARTS CODE	NO.	PRICE RANK	NEW MARK	PART RANK
[C]				
CBTN-0004QS01	8- 5	AE		E
CBTN-0009QS01	8- 2	AG		E
CCAB-0003QS01	1- 1	AR		D
CCASP0001RS53	26-901	BE		E
CCLEZ0005RS51	20- 1	AQ		E
"	21- 1	AQ		E
CCOVH0004RS51	2-901	BC		E
CDAiU0002QS01	10- 12	BG		D
"	11- 14	BG		D
CDAiU0008RS59	11- 7	BP		E
CDSKA0013QS31	30-106	AL	N	D
CFiX-0003QS02	1- 13	AN		D
CFiX-0003QS52	1-501	BA		E
CFiX-0003RS59	1-501	BB		E
CFRM-0006RS51	22-502	BE		E
CFRM-0007QS51	22-501	BF		E
CFRM-0009RS51	28- 17	BG		E
"	29-901	BG		E
CFRM-0010RS51	23-502	BG		E
CFRM-0011RS51	5- 11	BF		E
"	7-901	BF		E
CFRM-0011RS55	3- 11	BF		E
"	7-901	BF		E
CFRM-0013QS51	5- 14	BS		E
"	6-901	BS		E
CGERH0011RS51	19- 9	AE		E
CHAi-0028RS51	24- 3	BE		C
CHAi-0032RS51	24- 2	BE		C
CHLDZ0010RS52	25-901	AU		E
"	9- 18	AU		E
CHLDZ0019QS31	10- 2	BC		E
"	12-901	BC		E
CLEVP0016QS01	30- 17	AL		C
CPLTM0023QS02	22- 5	AF		C
CPLTM0023QS03	23- 25	AG		C
CPLTM0024QS01	16- 24	AG		C
CPLTM0025QS01	10- 21	AH		C
CPLTM0028QS01	12- 13	AH		C
CPLTM0029QS01	12- 9	AH		C
CPLTM0038QS02	16- 46	AG		C
CPLTM0042QS02	19- 20	AY		C
CPLTM0042RS53	19-901	BP		E
CPLTM0042RS54	19-901	BP		E
CPNLC0002QS0N	8- 10	AV	N	D
CPNLC0002QS0P	8- 10	AV	N	D
CPNLC0002QS0Q	8- 10	AV	N	D
CPWBF0009RS51	7- 7	AG		E
CPWBF0012QSE1	17- 6	BC		E
"	33-901	BC		E
CPWBF0013QSE2	17- 10	BM		E
"	34-901	BM		E
CPWBF0014QSE1	31-901	BC	N	E
"	8- 8	BC	N	E
CPWBF0014QSF1	31-901	BD	N	E
"	8- 8	BD	N	E
CPWBF0014QSF3	31-901	BD	N	E
"	8- 8	BD	N	E
CPWBF0017QS32	17- 13	BU		E
"	35-901	BU		E
CPWBF0017QS35	17- 13	BU		E
"	35-901	BU		E
CPWBF1177DS57	14- 4	AV		E
CPWBF1177DS58	16- 1	AQ		E
CPWBF1177DS59	18- 13	AV		E
CPWBF1177DS5A	11- 9	AT		E
CPWBF1177DS5B	22- 1	AQ		E
CPWBX0101QS46	17- 4	BZ	N	E
"	32-901	BZ	N	E
CPWBX0101QS4C	17- 4	BZ	N	E
"	32-901	BZ	N	E
CPWBX0101QS4J	17- 4	BZ	N	E
"	32-901	BZ	N	E
CREFL0003QS33	10- 3	BQ		E
CRÖLP0015QS01	16- 20	AU		C
"	29- 25	AU		C
CSLi-0103FC31	12- 7	AF		D
CSOU-0002QS52	23-501	AY		E
CSOU-0004QS51	5-501	BC		E

PARTS CODE	NO.	PRICE RANK	NEW MARK	PART RANK
CSW-M0004RS51	20- 4	AW		E
"	21- 4	AW		E
CTHM-0019DS52	18- 12	AT		E
CTME-0229FC03	18- 11	AG		C
[D]				
DHAi-0029QSZZ	15- 24	AN		C
"	17- 12	AN		C
"	27- 8	AN		C
DHAi-0030QSZ1	18- 16	AN		C
"	27- 10	AN		C
DHAi-0037QSZ1	15- 23	AS		C
"	27- 7	AS		C
DHAi-0038QSZZ	15- 27	AS		C
"	27- 9	AS		C
DHAi-0039QSZZ	17- 40	BD		C
"	27- 3	BD		C
DHAi-0040QSZZ	14- 10	AK		C
"	1- 7	AK		C
"	27- 4	AK		C
DHAi-0041QSZZ	10- 6	AF		C
"	11- 3	AF		C
"	27- 1	AF		C
DHAi-0042QSZZ	11- 5	AK		C
"	27- 2	AK		C
DHAi-0045QSZZ	19- 27	AD		C
"	27- 5	AD		C
DHAi-0046QSZZ	15- 18	AH		C
DHAi-0047QSZZ	9- 12	AH		C
DHAi-0048QSZZ	15- 19	AG		C
DHAi-0049QSZZ	16- 39	AG		C
DHAi-0050QSZZ	16- 27	AR		C
DHAi-0053QSZZ	28- 18	AM		C
DHAi-0054QSZ3	6- 9	AR		C
DHAi-0055QSZZ	7- 8	AK		C
DHAi-0063QSZZ	17- 7	AG		C
DHAi-0066QSZZ	22- 2	AD		C
"	23- 22	AD		C
DHAi-0067QSZZ	29- 14	AP		C
DHAi-0084QSZ1	6- 8	AT		C
DHAi-0147QSZ2	4- 11	AW		C
DHAi-0155QSZ1	13- 2	AT		C
"	14- 14	AT		C
DHAi-0168QSZZ	14- 10	AK		C
"	1- 7	AK		C
"	27- 4	AK		C
DUNT-0032RSZZ	5-901	BZ		E
DUNT-0084QS11	17-501	AU		E
DUNTK0013QS11	13- 4	BT		E
DUNTW0014RS12	18-901	BT		E
DWiR-0466CSZZ	25- 8	BG		B
[G]				
GCAB-0004QSZZ	1- 18	AX		D
GCAB-0005QSZZ	1- 10	AN		D
GCAB-0006QSZZ	1- 17	AN		D
GCAB-0007QSZZ	9- 1	AU		D
GCAB-0008QSZZ	7- 1	AM		D
GCAB-0010QSZ1	1- 17	AL		D
GCAB-0026QSZZ	1- 18	AZ		D
GCASP0001QSZZ	26- 19	AY		D
GCOVA0005QSZZ	28- 1	AM		D
GCOVA0006QSZZ	28- 3	AN		D
GCOVA0007QSZZ	28- 10	AK		D
GCOVA0008QSZZ	28- 14	AK		D
GCOVH0003QSZZ	2- 1	AM		D
GCOVH0004QSZZ	2- 2	AX		D
GDAi-0001QSZZ	16- 28	BF		D
"	17- 17	BF		D
GLEGG0064FCZZ	17- 18	AC		C
"	28- 7	AC		C
[J]				
JBTN-0005QSZZ	8- 4	AC		C
JBTN-0008QSZZ	8- 6	AD		C
JBTN-0010QSZZ	8- 3	AC		C
JKNBZ0001QSZZ	15- 22	AE		C
JKNBZ0004QSZZ	4- 35	AD		C
"	6- 28	AD		C
[L]				
LBNDJ0013FCZ1	13- 3	AA		C
"	17- 32	AA		C
"	22- 3	AA		C
"	23- 21	AA		C

PARTS CODE	NO.	PRICE RANK	NEW MARK	PART RANK
LBNDJ0013FCZ1	24- 9	AA		C
"	3- 12	AA		C
"	4- 16	AA		C
"	5- 15	AA		C
"	6- 10	AA		C
LBNDJ0043FCZZ	15- 6	AA		C
LBNDJ0067FCZZ	18- 17	AC		C
LBOSZ1031FCZZ	16- 15	AC		C
"	29- 7	AC		C
LBOSZ1508FCZZ	23- 15	AG		C
"	7- 19	AG		C
LBOSZ1509FCZ1	23- 28	AD		C
LBOSZ1510FCZZ	23- 18	AF		C
LBOSZ1851FCZZ	16- 13	AC		C
LBRC-0055FCZZ	23- 10	AK		C
LBSHZ0006QSZZ	7- 22	AC		C
LBSHZ0303FCZZ	23- 9	AC		C
"	7- 20	AC		C
LFIX-0004QSZZ	25- 15	AC		C
LFIX-0284FCZZ	12- 11	AC		C
LFRM-0002QSZZ	15- 21	AX		D
LFRM-0003QSZZ	9- 9	AP		D
LFRM-0004QSZZ	18- 7	AV		D
LFRM-0005QSZZ	18- 30	AQ		D
LFRM-0006QSZZ	22- 13	AN		C
LFRM-0007QSZZ	22- 25	AK		C
LFRM-0009QSZZ	29- 26	AQ		C
LFRM-0010QSZZ	23- 35	AN		D
LFRM-0011QSZZ	7- 35	AL		D
LFRM-0012QSZZ	6- 20	AD		C
LFRM-0013QSZZ	6- 12	AG		C
LFRM-0014QSZZ	4- 30	AE		C
LFRM-0015QSZZ	4- 17	AK		C
LHLDW1226FCZZ	26- 3	AB		C
"	30- 12	AB		C
LHLDW2133SCZZ	11- 36	AC		C
LHLDZ0009QSAZ	24- 1	AF		C
LHLDZ0010QSZZ	25- 14	AL		C
LHLDZ0011QSZZ	11- 4	AD		C
LHLDZ0013QSZZ	12- 5	AD		C
LHLDZ0017QSZZ	16- 30	AD		C
LHLDZ0018QSZZ	15- 13	AE		C
LHLDZ0019QSZZ	12- 2	AN		C
LPLINS0301FCZZ	15- 26	AD		C
LPLTM0016QSZZ	16- 42	AE		C
LPLTM0017QSZZ	17- 1	AQ		C
LPLTM0018QSZZ	17- 2	AN		C
LPLTM0020QSZZ	17- 21	AL		C
LPLTM0022QSZZ	18- 29	AF		C
LPLTM0036QSZZ	28- 6	AF		C
LPLTM0043QSZZ	9- 5	AD		C
LPLTM0046QSZZ	16- 25	AE		C
LPLTM0096QSZZ	3- 53	AF		C
"	5- 30	AF		C
LPLTM0097QSZZ	11- 17	AE		C
LPLTM0098QSZZ	11- 18	AE		C
LPLTM0122QSZZ	3- 52	AD		C
LPLTM0132QSZZ	9- 5	AH		C
LPLTM0133QSZZ	15- 31	AE		C
LPLTM2642FCGZ	26- 4	AD		C
LPLTM5106FCZZ	26- 1	AR		C
LPLTM5111FCZZ	10- 4	AC		C
LPLTP0009QSZZ	18- 38	AS		C
LPLTP0011QSZZ	3- 2	AH		C
"	5- 2	AH		C
LPLTP0012QSZZ	3- 3	AH		C
"	5- 3	AH		C
LPLTP0013QSZZ	4- 3	AD		C
"	6- 22	AD		C
LPLTP0014QSZZ	3- 28	AK		C
LPLTP0015QSZZ	4- 39	AH		C
LPLTP0041QSZZ	3- 39	AE		C
LPLTP5107FCZZ	26- 5	AH		C
LPLTP5108FCZZ	26- 13	AH		C
LRALM0002QSZZ	10- 15	AF		C
LRALM0003QSZZ	10- 14	AG		C
LRALP0001QSZZ	16- 34	AM		C
LSOU-0001QSZZ	1- 2	AW		D
LSOU-0002QSZZ	23- 48	AL		D
LSOU-0003QSZZ	23- 49	AK		D
LSOU-0004QSZZ	3- 1	AX		D

PARTS CODE	NO.	PRICE RANK	NEW MARK	PART RANK
LSOU-0004QSZZ	5- 1	AX		D
LSOU-0005QSZZ	5- 33	BB		D
LSOU-0006QSZZ	3- 9	AL		D
LSOU-0007QSZZ	3- 54	BC		D
LSOU-0008QSZZ	1- 4	AH		D
LSTPP0001QSZZ	7- 5	AD		C
LSTPP0007QSZZ	7- 5	AC		C
LSTPP0116FCZZ	18- 18	AA		C
LSTPP0161FCZZ	26- 18	AB		C
LSTPP0300FCZZ	23- 37	AB		C
LX-BZ0001QSZZ	30- 16	AD		C
LX-BZ0004QSZZ	10- 16	AB		C
"	11- 6	AB		C
LX-BZ0010QSZZ	18- 8	AB		C
LX-BZ0011QSZZ	18- 42	AB		C
LX-BZ0012QSZZ	6- 3	AC		C
LX-BZ0016QSZZ	3- 33	AC		C
"	5- 31	AC		C
LX-BZ0049FCZZ	10- 29	AB		C
LX-BZ0324FCZZ	10- 27	AA		C
LX-BZ0335FCZZ	12- 8	AA		C
LX-BZ0735FCZZ	18- 36	AA		C
LX-BZ3006SC0S	15- 28	AA		C
LX-WZ0023FCZZ	16- 43	AA		C
LX-WZ0119FCZZ	10- 32	AA		C
LX-WZ0313FCZZ	18- 26	AA		C
LX-WZ2028SCZZ	26- 10	AA		C
[M]				
MARMP0001QSZZ	6- 5	AF		C
MARMP0002QSZZ	7- 13	AD		C
MARMP0003QSZZ	7- 4	AD		C
MARMP0004QSZZ	7- 34	AF		C
MARMP0012QSZZ	28- 13	AD		C
MARMP0173FCZZ	23- 4	AC		C
MARMP0204FCZ1	23- 39	AF		C
MARMP0205FCZZ	23- 38	AF		C
MARMP0229FCZZ	29- 12	AE		C
MHNG-0002QSZZ	23- 40	AC		C
MHNG-0003QSZZ	5- 21	AX		C
MHNG-0004QSZZ	5- 32	AX		C
MHNG-0005QSZZ	3- 30	AY		C
MHNG-0006QSZZ	3- 45	AY		C
MLEVF0041QSZZ	3- 25	AD		C
MLEVP0005QSZZ	14- 5	AD		C
MLEVP0006QSZZ	16- 2	AD		C
MLEVP0007QSZZ	22- 17	AD		C
MLEVP0009QSZZ	7- 9	AD		C
MLEVP0010QSZZ	7- 10	AE		C
MLEVP0014QSZZ	18- 28	AF		C
MLEVP0015QSZZ	18- 23	AF		C
MLEVP0033QSZZ	29- 16	AF		C
MLEVP0036QSZZ	3- 18	AD		C
MSPRC0016QSZZ	24- 7	AC		C
MSPRC0017QSZZ	24- 5	AC		C
MSPRC0018QSZZ	24- 6	AC		C
MSPRC0021QSZZ	14- 7	AB		C
MSPRC0022QSZZ	14- 9	AC		C
MSPRC0023QSZZ	19- 15	AB		C
MSPRC0024QSZZ	15- 8	AA		C
MSPRC0026QSZZ	16- 3	AB		C
MSPRC0027QSZZ	25- 10	AC		C
MSPRC0028QSZZ	25- 11	AC		C
MSPRC0030QSZZ	9- 14	AC		C
MSPRC0031QSZZ	9- 13	AB		C
MSPRC0032QSZZ	9- 11	AB		C
MSPRC0036QSZZ	22- 26	AB		C
MSPRC0037QSZZ	16- 62	AB		C
MSPRC0038QSZZ	22- 16	AC		C
MSPRC0039QSZZ	22- 14	AC		C
MSPRC0040QSZZ	10- 19	AB		C
MSPRC0047QSZZ	16- 31	AA		C
MSPRC0048QSZZ	23- 41	AB		C
MSPRC0049QSZZ	23- 14	AC		C
MSPRC0050QSZZ	9- 25	AB		C
MSPRC0051QSZZ	25- 12	AA		C
MSPRC0053QSZZ	19- 3	AB		C
MSPRC0055QSZZ	18- 25	AC		C
MSPRC0062QSZZ	4- 4	AC		C
"	6- 23	AC		C
MSPRC0063QSZZ	4- 36	AB		C
"	6- 29	AB		C

PARTS CODE	NO.	PRICE RANK	NEW MARK	PART RANK
MSPRC0077QSZZ	16- 41	AB		C
MSPRC0080QSZZ	22- 18	AB		C
MSPRC0108QSZZ	26- 15	AC		C
MSPRC0109QSZZ	23- 50	AC		C
MSPRC0115QSZZ	7- 33	AB		C
MSPRC0149QSZZ	3- 51	AC		C
"	5- 37	AC		C
MSPRC0161QSZZ	16- 16	AF		C
"	29- 8	AF		C
MSPRC1145FCZZ	26- 17	AA		C
MSPRC1315FCZ1	23- 16	AD		C
MSPRC1316FCZ1	16- 11	AE		C
"	23- 27	AE		C
"	7- 18	AE		C
MSPRC1318FCZ1	19- 23	AA		C
"	23- 30	AA		C
MSPRC1873FCZ1	26- 16	AB		C
MSPRC2175FCZZ	23- 33	AA		C
MSPRC2544FCZZ	28- 9	AC		C
MSPRC2545FCZZ	29- 13	AB		C
MSPRC2546FCZZ	29- 21	AB		C
MSPRD0058QSZZ	29- 17	AG		C
MSPRD0069QSZZ	3- 42	AC		C
MSPRD0070QSZZ	3- 41	AC		C
MSPRD0076QSZ1	9- 6	AD		C
MSPRD0108QSZZ	22- 31	AC		C
MSPRD0114QSZ1	7- 36	AD		C
MSPRD0126QSZ1	3- 19	AC		C
MSPRD0154QSZZ	3- 48	AD		C
MSPRD0163QSZZ	4- 45	AC		C
MSPRP0015QSZZ	8- 7	AC		C
MSPRP0033QSZZ	18- 6	AD		C
MSPRP0034QSZZ	18- 14	AE		C
MSPRP0052QSZZ	3- 47	AD		C
MSPRP0059QSZZ	3- 7	AD		C
"	5- 7	AD		C
MSPRP0060QSZZ	3- 50	AD		C
"	5- 27	AD		C
MSPRP0065QSZZ	4- 31	AD		C
"	6- 24	AD		C
MSPRP0079QSZZ	22- 29	AD		C
MSPRP0110QSZ1	20- 6	AD		C
"	21- 6	AD		C
MSPRP0113QSZ1	5- 18	AD		C
MSPRT0019QSZZ	13- 5	AB		C
MSPRT0020QSZZ	14- 2	AB		C
MSPRT0029QSZZ	9- 3	AC		C
MSPRT0054QSZZ	18- 37	AC		C
MSPRT0061QSZZ	5- 26	AC		C
MSPRT0064QSZ1	6- 11	AC		C
MSPRT0066QSZ1	7- 25	AC		C
MSPRT0067QSZ1	7- 14	AB		C
MSPRT0112QSZ1	28- 12	AC		C
MSPRT0513FCZ1	25- 7	AA		C
[N]				
NBLT-0005QSZZ	15- 5	AH		B
NBLTT0001QSZZ	15- 20	AH		B
NBLTT0002QSZZ	10- 26	AH		B
NBLTT0003QSZZ	6- 27	AG		B
NBLTT0004QSZZ	15- 37	AH		B
NBLTT0006QSZZ	6- 15	AG		B
NBLTT0010QSZZ	4- 34	AG		B
NBLTT0011QSZZ	4- 22	AG		B
NBRGC0016QSZZ	29- 2	AD		C
NBRGC0017QSZZ	4- 27	AC		C
"	6- 18	AC		C
NBRGC0100FCZ1	16- 8	AC		C
NBRGC0133FCZ1	10- 31	AC		C
NBRGC0387FCZ1	10- 23	AC		C
NBRGC0579FCZZ	15- 2	AE		C
NBRGM0501FCZZ	4- 25	AB		C
"	6- 19	AB		C
NBRGM5006BCZZ	3- 26	AB		C
NBRGP0260FCZ1	18- 24	AD		C
NBRGP0562FCZZ	16- 19	AD		C
"	22- 11	AD		C
NBRGP0567FCZZ	18- 20	AG		C
NCPL-0002QSZZ	15- 7	AC		C
NFANP0005QSZZ	15- 12	AW		B
NGERH0007QSZZ	19- 11	AH		C
NGERH0008QSZ1	19- 16	AL		C

PARTS CODE	NO.	PRICE RANK	NEW MARK	PART RANK
NGERH0009QSZZ	19- 7	AD		C
NGERH0010QSZZ	19- 6	AD		C
NGERH0012QSZZ	19- 18	AE		C
NGERH0013QSZZ	19- 19	AG		C
NGERH0014QSZZ	19- 8	AD		C
NGERH0015QSZZ	19- 10	AD		C
NGERH0016QSZZ	19- 12	AD		C
NGERH0017QSZZ	19- 17	AD		C
NGERH0018QSZZ	19- 14	AC		C
NGERH0019QSZZ	19- 13	AD		C
NGERH0020QSZZ	16- 9	AG		C
NGERH0021QSZZ	22- 27	AD		C
"	23- 46	AD		C
NGERH0022QSZZ	16- 21	AC		C
NGERH0025QSZZ	16- 23	AD		C
NGERH0026QSZZ	16- 22	AD		C
NGERH0027QSZZ	10- 18	AH		C
NGERH0041QSZZ	29- 22	AF		C
NGERH0047QSZZ	4- 23	AF		C
"	6- 16	AF		C
NGERH0048QSZZ	9- 22	AE		C
NGERH0050QSZZ	19- 4	AD		C
NGERH0051QSZZ	9- 23	AE		C
NGERH0073QSZZ	7- 16	AE		C
NGERH0079QSZZ	4- 26	AD		C
NGERH0193FCZZ	26- 11	AB		C
"	3- 6	AB		C
"	5- 6	AB		C
NGERH0540FCZ3	18- 19	AD		C
NGERH0972FCZZ	22- 6	AB		C
"	23- 19	AB		C
"	6- 4	AB		C
NGERH0990FCZZ	22- 9	AB		C
"	23- 7	AB		C
"	29- 23	AB		C
"	7- 28	AB		C
NGERH0991FCZZ	23- 20	AC		C
NGERH0992FCZZ	23- 3	AB		C
"	29- 5	AB		C
"	7- 30	AB		C
NGERH1132FCZZ	16- 18	AH		C
"	29- 10	AH		C
NGERH1169FCZZ	16- 47	AF		C
NGERH1207FCZZ	29- 11	AF		C
NGERR0377FCZZ	3- 4	AD		C
"	5- 4	AD		C
NPLYZ0001QSZZ	15- 4	AE		C
NPLYZ0002QSZZ	19- 5	AC		C
NPLYZ0003QSZZ	10- 28	AM		C
NPLYZ0004QSZZ	10- 25	AG		C
NPLYZ0005QSZZ	10- 9	AG		C
NPLYZ0006QSZZ	10- 10	AD		C
NPLYZ0007QSZZ	12- 4	AG		C
NPLYZ0010QSZZ	7- 23	AE		C
NPLYZ0146FCZZ	4- 33	AB		C
"	6- 26	AB		C
NRÖL i 0014QSZZ	18- 21	AZ		C
NRÖLM0022QSZZ	4- 43	AP		C
"	6- 36	AP		C
NRÖLM0023QSZZ	6- 32	AP		C
NRÖLM0026QSZZ	4- 40	AQ		C
NRÖLM0027QSZZ	4- 6	AP		C
NRÖLP0007QSZ1	15- 1	AQ		C
NRÖLP0010QSZZ	3- 46	AD		C
"	5- 28	AD		C
NRÖLP0011QSZZ	3- 36	AD		C
"	5- 23	AD		C
NRÖLP0012QSZ1	15- 3	AS		C
NRÖLP0019QSZ1	29- 1	AP		C
NRÖLP0024QSZZ	7- 27	AL		C
NRÖLP0025QSZZ	9- 24	AM		C
NRÖLP0046QSZZ	14- 1	AC		C
NRÖLP1008FCZZ	23- 5	AK		C
NRÖLP1060FCZZ	28- 11	AF		C
NRÖLP1122FCZZ	14- 8	AF		C
"	22- 24	AF		C
"	9- 17	AF		C
"	9- 26	AF		C
NRÖLR0013QSZZ	16- 7	AQ		C
NRÖLR0016QSZZ	22- 12	AT		C
NRÖLR0028QSZZ	18- 27	AZ		C

PARTS CODE	NO.	PRICE RANK	NEW MARK	PART RANK	
NR0LR0922FCZZ	23- 1	AR		C	
"	7- 31	AR		C	
NSFTZ0006QSZ1	9- 15	AG		C	
NSFTZ0007QSZ1	22- 23	AG		C	
NSFTZ0008QSZZ	10- 30	AQ		C	
NSFTZ0009QSZZ	3- 49	AE		C	
"	5- 29	AE		C	
NSFTZ0010QSZZ	5- 25	AE		C	
NSFTZ0011QSZZ	7- 32	AF		C	
NSFTZ0012QSZZ	7- 21	AG		C	
NSFTZ0013QSZZ	3- 38	AF		C	
NSFTZ0014QSZZ	3- 43	AP		C	
NSFTZ2311FCZZ	23- 8	AU		C	
[P]					
PBRSR0002QSZ1	11- 13	AH		B	
PBRSR0003QSZ1	4- 7	AK		B	
"	6- 33	AK		B	
PBRSR0004QSZZ	18- 4	AE		B	
PCAPH1001ACZZ	17- 5	AE		C	
PCASZ0002QSZZ	25- 16	AL		D	
PCASZ0003QSZZ	11- 2	AK		C	
PCLC-0002QSZZ	4- 28	AV		B	
PCOVP0007QSZZ	16- 38	AF		D	
PCOVP0008QSZZ	16- 60	AE		C	
PCOVP0009QSZZ	16- 61	AE		C	
PCOVP0010QSZZ	18- 5	AG		D	
PCOVP0011QSZZ	18- 15	AK		D	
PCOVP0012QSZ1	20- 3	AK		C	
PCOVP0013QSZZ	16- 32	AD		D	
PCOVP0019QSZZ	23- 44	AK		D	
PCOVP0022QSZZ	3- 10	AR		C	
PCOVP0023QSZ1	21- 3	AK		D	
PCOVP0036QSZZ	3- 8	AK		D	
"	5- 8	AK		D	
PCOVP0037QSZZ	6- 37	AH		D	
PCOVP0038QSZ1	6- 38	AL		D	
PCOVP0040QSZZ	1- 28	AN		D	
PCUSS0009QSZZ	12- 10	AA		C	
PCUSS0010QSZ1	3- 56	AV		D	
"	5- 34	AV		D	
PCUSS0011QSZZ	11- 40	AB		C	
PCUSS0016QSZZ	3- 31	AB		C	
PCUSS0201FCZZ	12- 14	AA		C	
PFI LZ0001QS12	8- 1	AS		D	
PFI LZ0001QS29	8- 1	AS	N	D	
PFI LZ0001QS30	8- 1	AS	N	D	
PFI LZ0002QSZZ	1- 23	AL		D	
PGIDH0025QSZ1	25- 4	AG		C	
PGIDH0026QSZZ	18- 34	AE		C	
PGIDH0027QSZZ	4- 41	AK		C	
PGIDH0028QSZZ	4- 8	AK		C	
PGIDH0029QSZZ	6- 34	AL		C	
PGIDM0006QSZZ	14- 6	AM		C	
PGIDM0007QSZZ	11- 15	AP		C	
PGIDM0008QSZZ	9- 4	AD		C	
PGIDM0009QSZZ	15- 25	AG		C	
PGIDM0010QSZ1	16- 5	AG		C	
PGIDM0011QSZZ	25- 2	AE		C	
PGIDM0012QSZZ	22- 22	AF		C	
PGIDM0013QSZZ	22- 21	AF		C	
PGIDM0014QSZZ	22- 20	AF		C	
"	23- 12	AF		C	
PGIDM0015QSZZ	28- 8	AY		C	
PGIDM0016QSZZ	28- 4	AY		C	
PGIDM0017QSZZ	23- 43	AE		C	
PGIDM0018QSZZ	23- 42	AE		C	
PGIDM0019QSZZ	11- 37	AH		C	
PGIDM0020QSZZ	11- 38	AH		C	
PGIDM0021QSZZ	4- 38	AQ		C	
PGIDM0022QSZZ	4- 5	AN		C	
PGIDM0023QSZZ	18- 1	AP		C	
PGIDM0024QSZZ	6- 30	AQ		C	
PGIDM0042QSZZ	6- 1	AL		C	
PGIDM0057QSZZ	4- 10	AL		C	
PGLSP0001QSZZ	1- 16	AX		B	
PGLSP0002QSZZ	1- 37	AU		B	
PGSK-0002QSZZ	32- 1	AD		C	
PGSK-1004DCZZ	11- 23	AF		C	
PGUMS0004QSZZ	11- 39	AA		C	
PMIR-0002QSZZ	12- 12	AN		B	
PMLT-0024QSZZ	1- 22	AC		C	

PARTS CODE	NO.	PRICE RANK	NEW MARK	PART RANK	
PMLT-0026QSZZ	15- 39	AC		C	
PMLT-0028QSZZ	17- 34	AC		C	
PPiPP0003QSZZ	16- 17	AD		C	
PPiPP0007QSZZ	29- 9	AD		C	
PPiPP0008QSZZ	7- 17	AD		C	
PPiPP0010QSZZ	7- 17	AD		C	
PPiPP0109FCZ1	16- 10	AC		C	
"	23- 17	AC		C	
PPiPP0175FCZZ	23- 26	AC		C	
PRNGP0090FCZZ	3- 27	AA		C	
PSHEP0019QSZ1	25- 3	AC		C	
PSHEP0020QSZZ	25- 13	AB		C	
PSHEP0021QSZZ	25- 6	AA		C	
PSHEP0023QSZZ	18- 35	AF		C	
PSHEP0037QSZ1	5- 19	AE		C	
PSHEP0038QSZZ	3- 21	AE		C	
"	5- 16	AE		C	
PSHEP0042QSZZ	11- 11	AC		C	
PSHEP0044QSZZ	6- 35	AF		C	
PSHEP0047QSZZ	18- 40	AC		C	
PSHEP0061QSZZ	26- 8	AA		C	
PSHEP0063QSZZ	5- 17	AC		C	
PSHEP3029FCZZ	4- 21	AA		C	
"	6- 14	AA		C	
PSHEZ0018QSZZ	25- 1	AF		C	
PSHEZ0026QSZZ	1- 14	AE		C	
PSHEZ0027QSZZ	1- 15	AC		C	
PSHEZ0034QSZ1	2- 3	AV		D	
PSHEZ0039QSZZ	4- 2	AG		C	
"	6- 21	AG		C	
PSHEZ0045QSZZ	18- 33	AC		C	
PSHEZ0048QSZZ	12- 1	AE		C	
PSHEZ0066QSZZ	11- 20	AE		C	
PSHEZ0068QSZZ	3- 29	AC		C	
PSHEZ0072QSZZ	11- 33	AE		C	
PSHEZ0074QSZZ	11- 24	AE		C	
PSHEZ0075QSZZ	21- 7	AC		C	
PSHEZ0079QSZZ	1- 25	AD		C	
PSHEZ0080QSZZ	14- 11	AE		C	
PSHEZ0081QSZ1	11- 28	AD		C	
PSHEZ0082QSZZ	11- 29	AB		C	
PSHEZ0093QSZZ	1- 31	AC		C	
PSHEZ0094QSZZ	1- 32	AC		C	
PSHEZ0095QSZZ	1- 33	AD		C	
PSHEZ0102QSZZ	5- 35	AD		C	
PSHEZ0110QSZZ	32- 2	AB		C	
PSHEZ0111QSZZ	11- 30	AC		C	
PSHEZ0112QSZZ	5- 36	AE		C	
PSHEZ0115QSZ1	16- 55	AC		C	
PSHEZ0118QSZZ	3- 44	AE		C	
PSHEZ0119QSZZ	3- 32	AE		C	
PSHEZ0141QSZZ	1- 35	AC		C	
"	27- 6	AC		C	
PSHEZ0151QSZZ	3- 23	AD		C	
PSHEZ0155QSZZ	15- 38	AD		C	
PSHEZ0156QSZZ	15- 36	AE		C	
PSHEZ0162QSZZ	4- 44	AB		C	
PSHEZ0164QSZZ	4- 42	AF		C	
PSHEZ2026FCZ1	16- 29	AB		C	
PSHEZ2174FCZZ	16- 36	AB		C	
"	4- 1	AB		C	
"	6- 25	AB		C	
PSHEZ4142FCZZ	26- 2	AC		C	
PSPAZ0017QSZZ	15- 32	AK		C	
PSPO-0001QSZZ	3- 37	AB		C	
"	5- 24	AB		C	
PSPO-0002QSZZ	7- 2	AC		C	
PSPO-0003QSZZ	3- 34	AC		C	
PSPO-0004QSZZ	3- 20	AB		C	
"	4- 14	AB		C	
PTME-0002QSZZ	19- 24	AD		C	
PTME-0003QSZ1	19- 26	AD		C	
PTME-0004QSZZ	9- 2	AG		C	
PTME-0008QSZZ	29- 20	AD		B	
PTME-0019QSZZ	7- 26	AD		C	
PTME-0178FCZ1	23- 32	AC		C	
PTME-0179FCZZ	23- 31	AC		C	
PTME-0255FCZZ	26- 6	AG		C	
PTME-0256FCZZ	26- 14	AG		C	
PTPE-0010QSZZ	1- 34	AC		C	
PTUBP0005QSZZ	14- 13	AC		C	



PARTS CODE	NO.	PRICE RANK	NEW MARK	PART RANK
PWiR-0001QSZZ	18- 3	AF		C
PWiR-0003QSZZ	10- 1	AR		C
[Q]				
QACCD7618QCZZ	30- 3	AQ		B
QCNCM0011QSZZ	34- 1	AH		C
QCNCM0038QSZZ	32- 18	AH		C
QCNCM0861FCZZ	31- 1	AB		C
QCNCM0923FC14	32- 3	AE		C
QCNCM0923FC18	32- 4	AF		C
QCNCM0923FC24	32- 5	AF		C
QCNCM1005MCZZ	32- 6	AB		C
QCNCM1069AC0D	32- 7	AC		C
QCNCM1119LC0C	32- 8	AC		C
QCNCM1119LC0E	32- 9	AC		C
QCNCM2401SC0C	32- 10	AB		C
QCNCM2401SC0D	32- 11	AC		C
QCNCM2401SC0E	32- 12	AC		C
QCNCM2401SC0F	32- 13	AB		C
QCNCM7014SC0C	32- 14	AA		C
QCNCM7014SC0D	32- 15	AB		C
QCNCM7014SC0E	32- 16	AB		C
QCNCP0340QCZZ	32- 17	AC		C
QCNCW0015QSZZ	32- 19	AE		C
QCNCW0024QSZZ	32- 20	AF		C
QCNCW0946FCZZ	33- 1	AH		C
QCNCW0948FCZ5	32- 21	AC		C
QCNCW1124LC0D	32- 22	AB		C
QCNCW1124LC0H	32- 23	AC		C
QCNCW1124LC1H	32- 24	AD		C
QCNCW1124LC2F	32- 25	AD		C
"	33- 2	AD		C
QCNCW1132LC1H	31- 2	AD		C
QCNW-7212XCZZ	30- 25	AY		C
QFS-B0030FCZZ	35-122	AH		A
QFS-F0030PAZZ	35-123	AE		A
QPLGZ0430PAZZ	35- 2	AE		C
QPLGZ0557PAZZ	35- 3	AD		C
QPLGZ0558PAZZ	35- 4	AE		C
QPLGZ0559PAZZ	35- 5	AG		C
QSLP-0005QSZZ	15- 16	AE		C
QSLP-0006QSZZ	15- 14	AE		C
QSLP-0007QSZZ	25- 9	AC		C
QSOCZ0002QSZZ	32- 26	AD		C
QSOCZ0003QSZZ	32- 27	AD		C
QSW-B0003QSZZ	16- 26	AF		B
"	29- 24	AF		B
QSW-P0005QSZZ	31- 3	AC		B
[R]				
RATTT0004PAZZ	35- 6	AP		B
RC-EZ0425PAZZ	35- 7	AR		C
RC-FZ137DPAZZ	35- 8	AE		C
RC-FZ138DPAZZ	35- 9	AE		C
RCiLZ0003QSZZ	32- 28	AC		C
RCiLZ0004QSZZ	32- 29	AE		C
RC-K1E104HCZZ	33- 3	AB		C
RC-KZ4014PAZZ	35- 13	AC		C
RC-KZ4015PAZZ	35- 14	AC		C
RCORF0002QSZZ	11- 22	AE		C
"	14- 12	AE		C
RCORF0003QSZZ	17- 33	AL		C
RCORF4092PAZZ	35- 26	AC		C
RC-QZ0218PAZZ	35- 16	AC		C
RC-QZ0221PAZZ	35- 17	AD		C
RC-QZA102PARK	35- 19	AC		C
RC-QZA103PARK	35- 20	AC		C
RC-QZA104PARK	35- 21	AC		C
RC-QZA223PARK	35- 22	AC		C
RC-QZA472PARK	35- 24	AC		C
RCRSZ0001QSZZ	32- 31	AG		B
RCRSZ0003QSZZ	32- 33	AP		B
RCRSZ0011QSZZ	32- 32	AP		B
RDTCT0004QSZZ	4- 37	AL		B
"	6- 31	AL		B
RDTCT0128FCZZ	18- 9	AR		B
RFiLZ0004QSZZ	32- 30	AM		C
RH-DZ0016FCZZ	32- 34	AB		B
RH-iX0009QSZZ	32- 85	AP		B
RH-iX1950PAZZ	35- 28	AF		B
RH-iX2251PAZZ	35- 29	AR		B
RH-iX2257PAZZ	35- 30	AK		B
RH-iX2258PAZZ	35- 31	AH		B

PARTS CODE	NO.	PRICE RANK	NEW MARK	PART RANK
RH-PX0296PAZZ	35- 32	AF		B
RH-PX0307PAZZ	35- 33	AK		B
RLMPU0010QSZZ	18- 22	BA		B
RMOTD0009QSZZ	15- 9	AU		B
RMOTP0010QSZZ	19- 2	BN		B
RMOTP0011QSZZ	10- 20	BA		B
RMOTP0012QSZZ	15- 35	AW		B
RMOTP0013QSZZ	4- 13	BB		B
"	6- 7	BB		B
RMPTW4100QCJ J	32- 35	AA		B
RMPTW4102QCJ J	32- 36	AB		B
RMPTW4203QCJ J	32- 37	AA		B
RMPTW4300QCJ J	32- 38	AA		B
RMPTW4470QCJ J	32- 39	AB		B
RPLU-0002QSZZ	19- 25	AN		B
RPLU-0003QSZZ	23- 29	AN		B
RPLU-0004QSZ1	7- 11	AQ		B
RPLU-0005QSZZ	3- 17	AQ		B
RPLU-0010QSZZ	29- 18	AN		B
RPLU-0015QSZZ	4- 15	AS		B
RPLU-0016QSZZ	19- 22	AN		B
RRLYD342CQCZZ	32- 40	AM		B
RRLYZ0100PAZZ	35- 47	AN		B
RR-SN1201PA6F	35- 37	AB		C
RR-SN3900PA6F	35- 38	AB		C
RR-SZ0034PAZZ	35- 39	AC		C
RR-SZ0048PAZZ	35- 40	AC		C
RR-SZ0057PAZZ	35- 41	AC		C
RR-WZ0028PAZZ	35- 42	AF		C
RR-XZ0051PAZZ	35- 43	AC		C
RR-XZ0078PAZZ	35- 44	AC		C
RR-XZ4002PAZZ	35- 45	AC		C
RR-XZ4003PAZZ	35- 46	AC		C
RTRNZ0202PANT	35- 50	AL		B
RTRNZ0609PACD	35- 51	AW		B
RTRNZ0628PACD	35- 51	AU		B
RVR-M0390PAZZ	35- 55	AD		B
[S]				
SPAKA0047QSZZ	30- 9	AX		D
SPAKA0048QSZZ	30- 2	AP		D
SPAKA0049QSZZ	30- 1	AP		D
SPAKA0050QSZZ	30- 11	AE		D
SPAKA0051QSZZ	30- 14	AC		D
SPAKA0062QSZZ	30- 2	AQ		D
SPAKA0063QSZZ	30- 1	AQ		D
SPAKA0064QSZ1	30- 14	AC		D
SPAKA0066RSZZ	30- 9	BM		D
SPAKA0068QSZZ	30- 18	AD		D
SPAKA0106QSZZ	30- 9	AY		D
SPAKA0163QSZZ	30- 14	AC		D
SPAKA0188QSZZ	30- 19	AF		D
SPAKA0189QSZZ	30- 20	AF		D
SPAKA0191QSZZ	30- 2	AN		D
SPAKA0192QSZZ	30- 1	AR		D
SPAKA5116FCZZ	30- 21	AB		D
SPAKC0052RS82	30- 10	AU	N	D
SPAKC0052RS83	30- 10	AW	N	D
SPAKC0107RS16	30- 10	AX	N	D
SPAKC0107RS17	30- 10	AY	N	D
SPAKC0108RS15	30- 10	AV	N	D
SPAKC0108RS16	30- 10	AY	N	D
SSAKA2347QCZZ	30- 8	AB		D
SSAKA5003CCZZ	30- 5	AA		D
SSAKZ0002QSZZ	30- 6	AF		D
[T]				
TCADZ0014QSZZ	30-101	AE		D
TCADZ0030GCZZ	30-102	AD		D
TCADZ0037QSZZ	30-103	AC		D
TCADZ0083QSZZ	30-104	AF		D
TCADZ0132QSZZ	30-105	AC		D
TCAUA0770FCZZ	1- 19	AB		D
TCAUH0992FCZ1	18- 32	AF		D
TiNSE0673QSZZ	30- 7	AT	N	D
TiNSE0675QSZZ	30- 7	AV	N	D
TiNSE0677QSZZ	30- 7	AV	N	D
TiNSE0679QSZZ	30- 7	AV	N	D
TiNSF0674QSZZ	30- 7	AM	N	D
TiNSF0676QSZZ	30- 7	AQ	N	D
TiNSF0678QSZZ	30- 7	AQ	N	D
TiNSF0680QSZZ	30- 7	AR	N	D
TLABH0056QSZ1	1- 11	AG		C

PARTS CODE	NO.	PRICE RANK	NEW MARK	PART RANK	
TLABZ3568FCZZ	26- 12	AB		D	
TTAG-0002QSZZ	30- 13	AB		D	
TTAG-0003QSZZ	30- 15	AC		D	
[U]					
UBNDA0001FCZZ	30- 4	AA		C	
[V]					
VCCCY1HH101J	32- 41	AA		C	
VCCCY1HH120J	32- 42	AA		C	
VCCCY1HH180J	32- 43	AA		C	
VCCCY1HH330J	32- 44	AA		C	
VCCCY1HH470J	32- 45	AA		C	
VCCCTV1HH101J	33- 4	AA		C	
VCCCTV1HH201J	31- 4	AA		C	
VCCCTV1HH330J	33- 5	AA		C	
VCCCTV1HH561J	33- 6	AA		C	
VCEAFU1EM227M	35- 59	AC		C	
VCEAFU1HM105M	35- 60	AC		C	
VCEAFU1VM336M	35- 62	AC		C	
VCEAFV1AM228M	35- 64	AF		C	
VCEAFV1VM108M	35- 65	AF		C	
VCEAGA1VW106M	32- 53	AA		C	
VCEAGA1VW226M	32- 54	AC		C	
VCEAGU1CW106M	32- 46	AA		C	
VCEAGU1CW107M	32- 47	AB		C	
VCEAGU1CW226M	32- 48	AA		C	
VCEAGU1CW476M	32- 49	AB		C	
/"	33- 7	AB		C	
VCEAGU1EW106M	32- 50	AA		C	
VCEAGU1EW476M	32- 51	AB		C	
VCEAGU1HW474M	32- 52	AA		C	
VCEAGU1VW476M	32- 55	AB		C	
VCEAJU1CW476M	31- 5	AB		C	
VCKYCY1CF104Z	32- 56	AA		C	
VCKYCY1EB223K	32- 57	AA		C	
VCKYCY1HB102K	32- 58	AA		C	
VCKYCY1HB222K	32- 59	AA		C	
VCKYTQ1HF104Z	34- 2	AA		C	
VCKYTV1EB104K	31- 6	AA		C	
VCKYTV1HB102K	31- 7	AA		C	
/"	33- 8	AA		C	
VCKYTV1HB223K	31- 8	AA		C	
/"	33- 9	AA		C	
/"	34- 3	AA		C	
VCKYTW1HB104K	32- 61	AC		C	
VCQYNU1HM104K	32- 62	AB		C	
VHD1N4005//--1	35- 67	AC		B	
VHD1N4005E/--1	32- 67	AB		B	
VHD1SS244//--1	35- 68	AC		B	
VHD1SS270A/--1	35- 69	AA		B	
VHDD5SBA60/--1	35- 70	AH		B	
VHDDA204K//--1	32- 65	AC		B	
VHDDAN202U/--1	32- 63	AB		B	
VHDDAP202U/--1	32- 64	AB		B	
VHDDSS133//--1	31- 9	AA		B	
/"	32- 66	AA		B	
/"	33- 10	AA		B	
VHDERA2206/--1	35- 72	AD		B	
VHDERA9202/--1	35- 73	AE		B	
VHDM1FL20U+--1	32-132	AC		B	
VHDYG801C04-1	35- 75	AG		B	
VHDYG901C2/--1	35- 76	AG		B	
VHEMTZJ22B/--1	32- 68	AA		B	
VHERD16ESB1-1	35- 81	AC		B	
VHERD20ESB2-1	35- 78	AC		B	
VHERD30ESB1-1	35- 80	AC		B	
VHH4D18////--1	35- 87	AK		B	
VHi16163CLT-6	34- 4	BA		B	
VHi27C02062QS	32- 87	AZ	N	B	
VHi27C02064QS	32- 87	AZ	N	B	
VHi27C02066QS	32- 87	AZ	N	B	
VHi74LS244NS1	33- 11	AH		B	
VHi74LS245NS1	33- 12	AF		B	
VHi74VHC08/--1	32- 86	AE		B	
VHiH8S/2350FP	32- 70	AY		B	
VHiHG73C025FD	32- 69	BE		B	
VHiLC7935//--1	31- 10	AN		B	
VHiLM358PS/-S	32- 71	AC		B	
VHiM24C02WBN6	32- 72	AG		B	
VHiM51953BL-1	32- 73	AF		B	
VHiM66236FP-1	32- 74	AT		B	
VHiMTD1361F-1	32- 77	AR		B	

PARTS CODE	NO.	PRICE RANK	NEW MARK	PART RANK	
VHiNJM2903M/-	32- 75	AD		B	
VHiNJM3414AM1	32- 76	AF		B	
VHiSN74LS07NS	32- 78	AF		B	
VHiTA7291S/--1	32- 79	AF		B	
VHiTC74HC14FN	32- 80	AH		B	
VHiTC74HC151F	31- 11	AG		B	
/"	32- 81	AG		B	
VHiTD62003AP1	32- 82	AG		B	
VHiTD62064AF/	32- 83	AM		B	
VHiTD62503F/-	32- 84	AG		B	
VHP1LHEE-002A	31- 13	AC		B	
VHP1LHLE-002A	31- 12	AC		B	
VHPCST338G-25	31- 14	AP		B	
VHPPG1A71A1-1	29- 15	AG		B	
VHSTF321S//--1	35- 88	AG		B	
VHSTM1641P/-F	35- 89	AT		B	
VHVC271D10A-1	35- 90	AD		B	
VHVCPN38//--1	32- 88	AF		B	
VRD-HT2HY101J	33- 13	AA		C	
VRD-ST2CD103J	35- 91	AA		C	
VRD-ST2CD104J	35- 92	AA		C	
VRD-ST2CD122J	35- 94	AA		C	
VRD-ST2CD123J	35- 95	AA		C	
VRD-ST2CD153J	35- 96	AA		C	
VRD-ST2CD182J	35- 98	AA		C	
VRD-ST2CD223J	35-100	AA		C	
VRD-ST2CD274J	35-101	AB		C	
VRD-ST2CD330J	35-102	AA		C	
VRD-ST2CD331J	35-103	AA		C	
VRD-ST2CD333J	35-104	AA		C	
VRD-ST2CD334J	35-101	AB		C	
VRD-ST2CD472J	35-106	AA		C	
VRD-ST2CD473J	35-107	AA		C	
VRD-ST2CD474J	35-108	AA		C	
VRD-ST2CD563J	35-110	AB		C	
VRD-ST2CD822J	35-112	AA		C	
VRD-ST2HF104J	35-115	AA		C	
VRH-ST2HB157K	18- 2	AD		C	
VRNHT2EK1301F	32- 90	AB		B	
VRNHT2EK2401F	32- 90	AA		B	
VRS-CY1JD000J	32- 89	AA		C	
VRS-CY1JD100J	32- 91	AA		C	
VRS-CY1JD101J	32- 92	AA		C	
VRS-CY1JD102F	32- 93	AA		C	
VRS-CY1JD102J	32- 94	AA		C	
VRS-CY1JD103F	32- 95	AB		C	
VRS-CY1JD103J	32- 96	AA		C	
VRS-CY1JD105F	32- 97	AA		C	
VRS-CY1JD122J	32- 98	AA		C	
VRS-CY1JD152J	32- 99	AA		C	
VRS-CY1JD202J	32-100	AA		C	
VRS-CY1JD203J	32-101	AA		C	
VRS-CY1JD205J	32-102	AA		C	
VRS-CY1JD222J	32-103	AA		C	
VRS-CY1JD242J	32-104	AA		C	
VRS-CY1JD301J	32-105	AA		C	
VRS-CY1JD331J	32-106	AA		C	
VRS-CY1JD332J	32-107	AA		C	
VRS-CY1JD333J	32-108	AA		C	
VRS-CY1JD470J	32-109	AA		C	
VRS-CY1JD472J	32-110	AA		C	
VRS-CY1JD473J	32-111	AA		C	
VRS-CY1JD512J	32-112	AA		C	
VRS-CY1JD621F	32-113	AA		C	
VRS-CY1JD621J	32-114	AA		C	
VRS-CY1JD680J	32-115	AA		C	
VRS-CY1JD751J	32-116	AA		C	
VRS-CY1JD752J	32-117	AA		C	
VRS-CY1JD912J	32-118	AA		C	
VRS-HT3DA102J	32-121	AA		C	
VRS-HT3DA1R0J	32-120	AB		C	
VRS-HT3DAR22J	32-119	AA		C	
VRS-TP2BD000J	31- 15	AA		C	
VRS-TP2BD121J	32-122	AA		C	
VRS-TP2BD151J	32-123	AA		C	
VRS-TP2BD221J	32-124	AB		C	
VRS-TP2BD241J	32-125	AA		C	
VRS-TP2BD432J	32-126	AA		C	
VRS-TP2BD472J	32-127	AA		C	
VRS-TS2AD100J	34- 5	AA		C	
VRS-TS2AD101J	31- 16	AA		C	



#### CAUTION FOR BATTERY REPLACEMENT

(Danish)                   ADVARSEL !  
Lithiumbatteri - Eksplosionsfare ved fejlagtig håndtering.  
Udskiftning må kun ske med batteri  
af samme fabrikat og type.  
Levér det brugte batteri tilbage til leverandoren.

(English)                   Caution !  
Danger of explosion if battery is incorrectly replaced.  
Replace only with the same or equivalent type  
recommended by the manufacturer.  
Dispose of used batteries according to manufacturer's instructions.

(Finnish)                   VAROITUS  
Paristo voi räjähtää, jos se on virheellisesti asennettu.  
Vaihda paristo ainoastaan laitevalmistajan suosittelemaan  
tyyppiin. Hävitä käytetty paristo valmistajan ohjeiden  
mukaisesti.

(French)                   ATTENTION  
Il y a danger d'explosion s'il y a remplacement incorrect  
de la batterie. Remplacer uniquement avec une batterie du  
même type ou d'un type équivalent recommandé par  
le constructeur.  
Mettre au rebut les batteries usagées conformément aux  
instructions du fabricant.

(Swedish)                   VARNING  
Explosionsfara vid felaktigt batteribyte.  
Använd samma batterityp eller en ekvivalent  
typ som rekommenderas av apparattillverkaren.  
Kassera använt batteri enligt fabrikantens  
Instruktion.

(German)                   Achtung  
Explosionsgefahr bei Verwendung inkorrekt er Batterien.  
Als Ersatzbatterien dürfen nur Batterien vom gleichen Typ oder  
vom Hersteller empfohlene Batterien verwendet werden.  
Entsorgung der gebrauchten Batterien nur nach den vom  
Hersteller angegebenen Anweisung.

#### CAUTION FOR BATTERY DISPOSAL

(For USA, CANADA)  
Contains lithium-ion battery. Must be disposed of properly.  
Remove the battery from the product and contact  
federal or state environmental  
agencies for information on recycling and disposal options.

# SHARP

**COPYRIGHT © 2001 BY SHARP CORPORATION**

All rights reserved.

Printed in Japan.

No part of this publication may be reproduced,  
stored in a retrieval system, or transmitted,  
in any form or by any means,  
electronic, mechanical, photocopying, recording, or otherwise,  
without prior written permission of the publisher.

**SHARP CORPORATION**  
**Digital Document Systems Group**  
**Quality & Reliability Control Center**  
**Yamatokoriyama, Nara 639-1186, Japan**  
2001 September Printed in Japan ⓘ