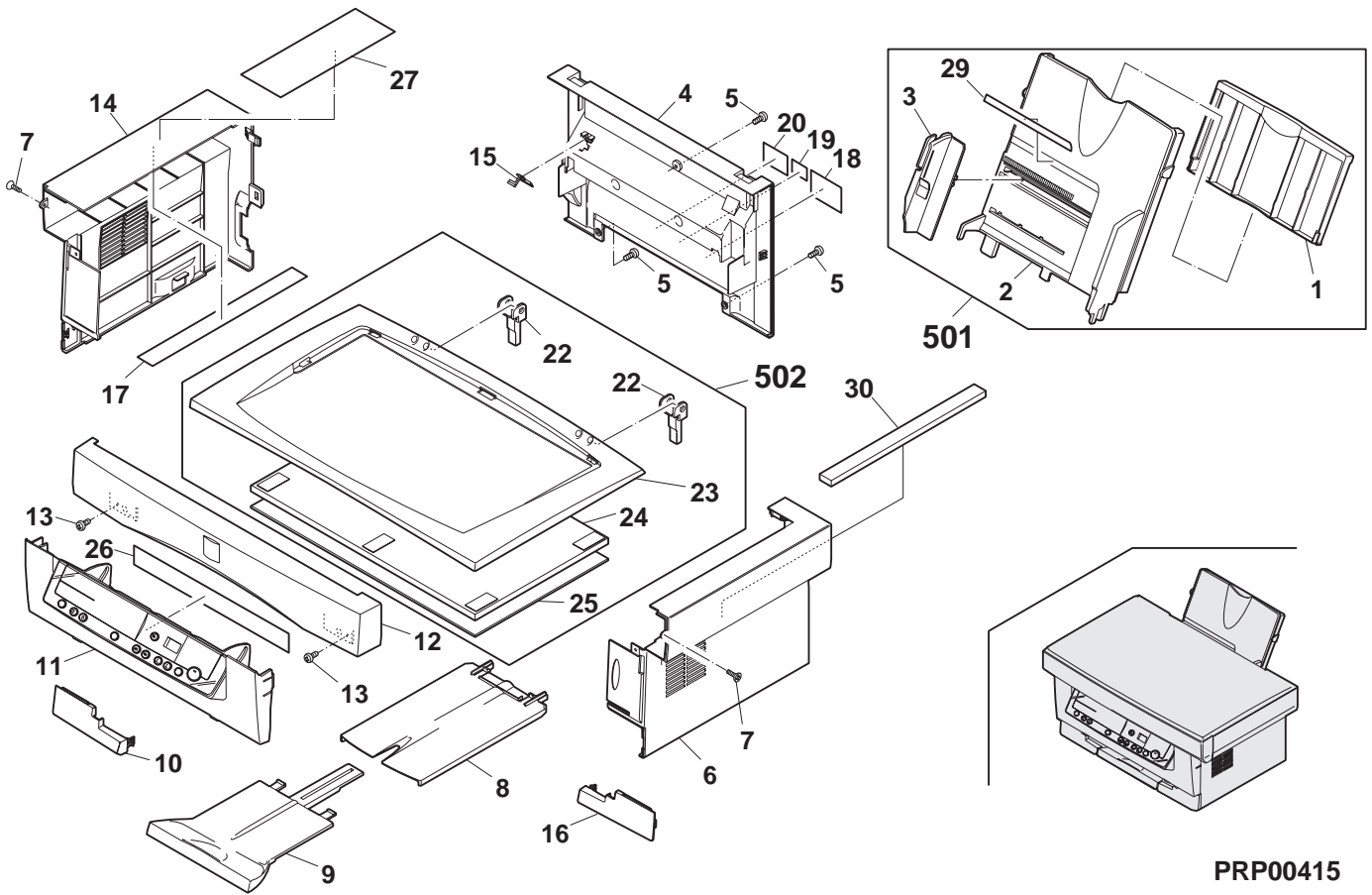


- :Add
- ↻ :Change
- ☒ :Delete
- ★ :Others

1 Exteriors

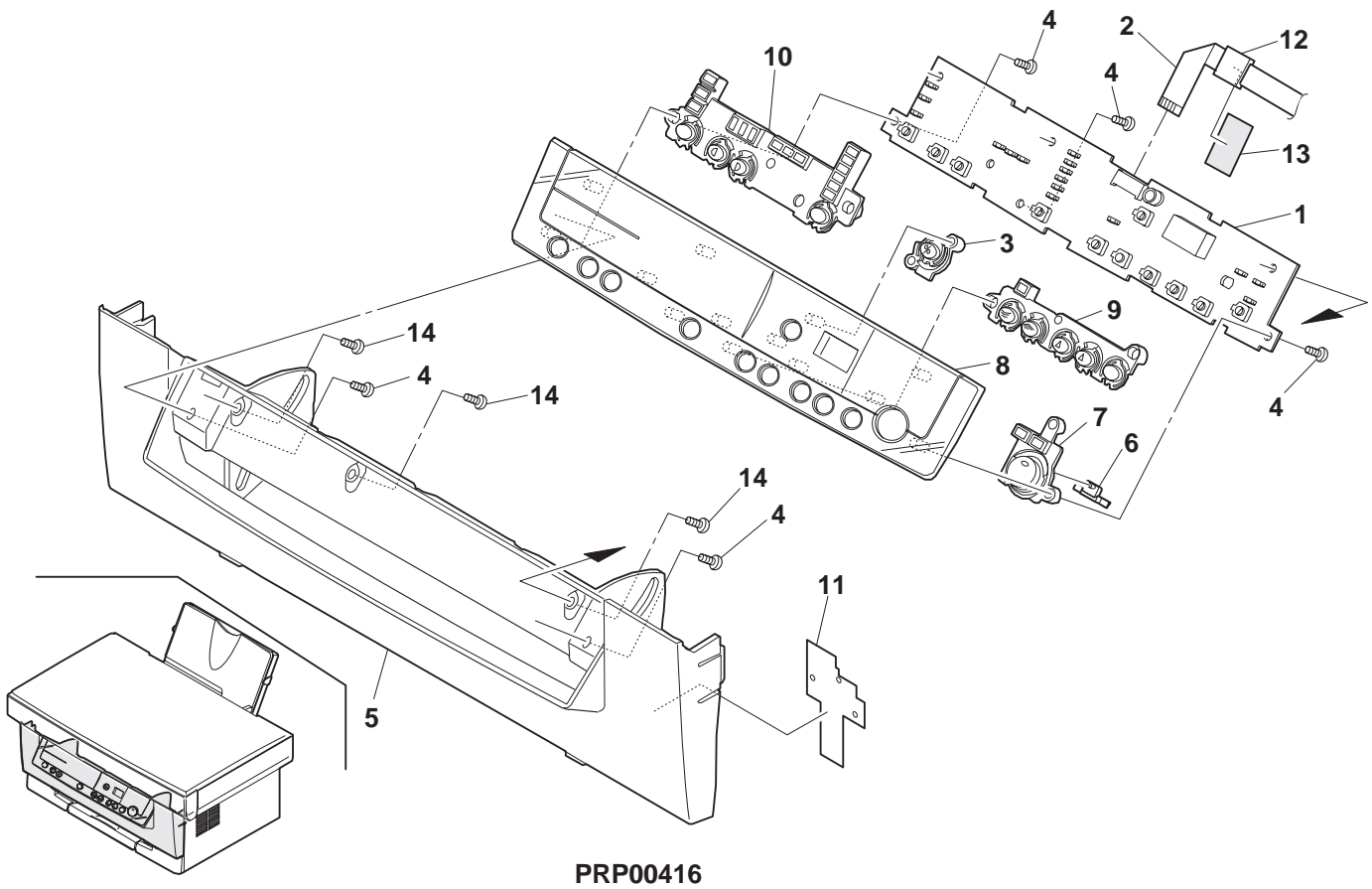


1 Exteriors

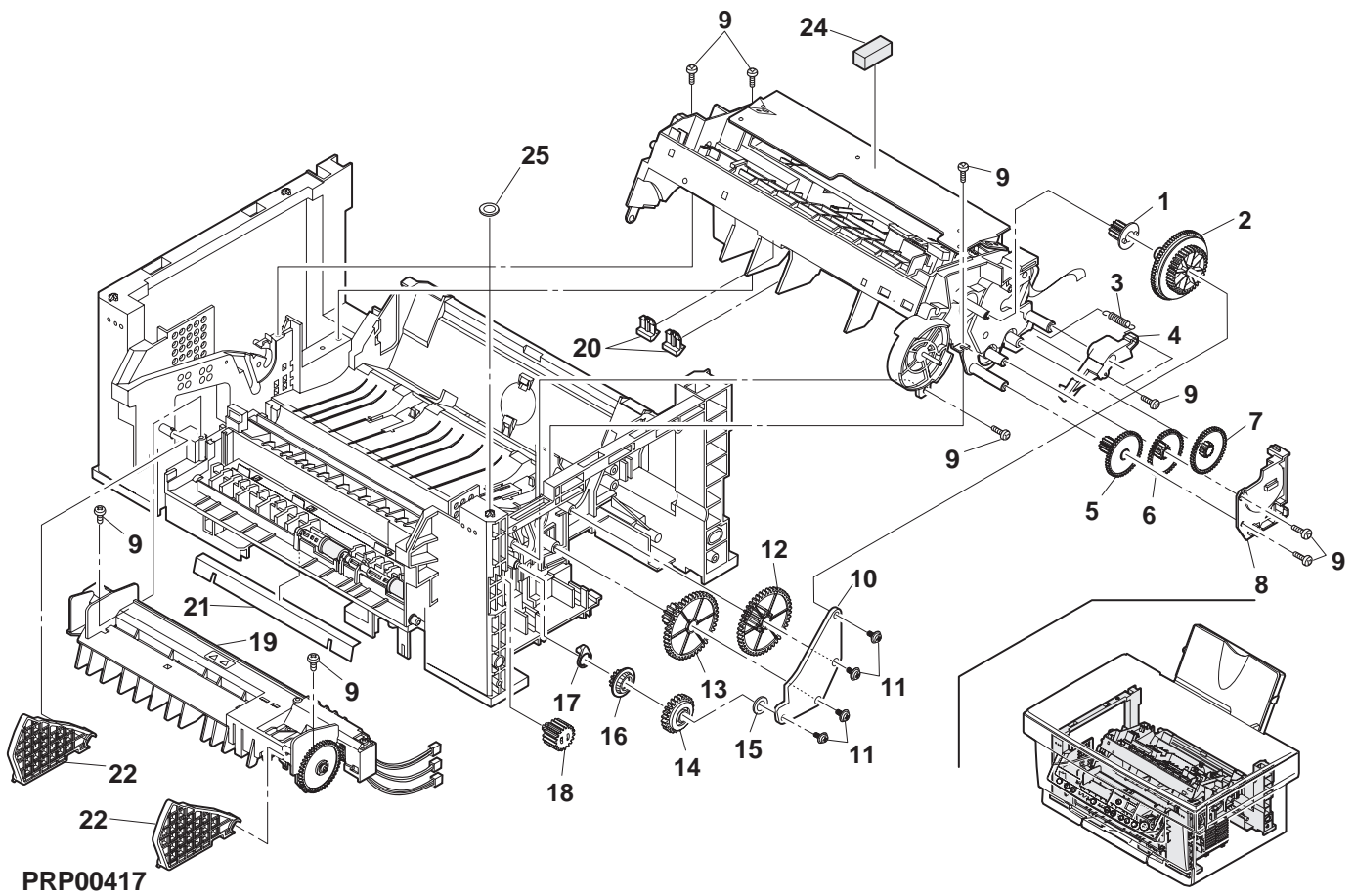
NO.	PARTS CODE	COMPATIBLE	PRICE RANK	NEW MARK	PART RANK	DESCRIPTION	TR NO.	VALID
1	LPLTP0276GCZZ		AK		C	PU EX tray (Except Japan)		
2	LSOU-0012GCZ1		AQ		C	PU tray		
3	PGIDM7051XCZZ		AG	N	C	Paper guide		
4	GCAB-7059XCZZ		AT	N	C	Rear cabinet (100V series)		
	GCAB-7059XCZA		AX	N	C	Rear cabinet (200V series)		
5	XHBSE30P08000		AA	N	C	Screw (3x8)		
6	GCAB-7057XCZZ		AV	N	C	Rigth Cabinet (100V series)		
	GCAB-7057XCZA		AZ	N	C	Rigth Cabinet (200V series)		
7	LX-BZ7063XCZZ		AA		C	Screw		
8	LSOU-7004XCZZ		AM	N	C	Delivery Tray		
9	LSOU-7005XCZZ		AN	N	C	Derivery extension Tray		
10	GCAB-7063XCZZ		AK	N	C	Left Cabinet Lower (100V series)		
	GCAB-7063XCZA		AL	N	C	Left Cabinet Lower (200V series)		
11	CPNLC7027XC34		BM	N	E	Operation Panel unit (AL-800 U.S.A,Canada)		
	CPNLC7027XC35		BM	N	E	Operation panel unit (AL-800 Germany,Europe,U.Kingdom,Australia,NewZealand)		
	CPNLC7027XC36		BM	N	E	Operation Panel unit (AL-840 Japan)		
	CPNLC7027XC37		BM	N	E	Operation Panel unit (AL-840 U.S.A,Canada)		
	CPNLC7027XC38		BM	N	E	Operation Panel unit (AL-840 Germany,Europe,U.Kingdom,Australia,NewZealand)		
12	CCAB-7055XC03		AS	N	C	Front Cabinet (AL-800 U.S.A,Canada,Australia,NewZealand)		
	CCAB-7055XC04		AX	N	C	Front Cabinet (AL-800 Germany,Europe,U.Kingdom)		
	CCAB-7055XC05		AT	N	C	Front Cabinet (AL-840 Japan,U.S.A,Canada,Australia,NewZealand)		
	CCAB-7055XC06		AX	N	C	Front Cabinet (AL-840 Germany,Europe,U.Kingdom)		
13	XEBSD30P14000		AA		C	Screw (3x14)		
14	GCAB-7058XCZZ		AV	N	C	Left cabinet (100V series)		
	GCAB-7058XCZA		AZ	N	C	Left cabinet (200V series)		
15	MLEVP7034XCZZ		AD	N	C	Paper size Actuator		
16	GCAB-7062XCZZ		AK	N	C	Rigth Cabinet Lower (100V series)		
	GCAB-7062XCZA		AL	N	C	Rigth Cabinet Lower (200V series)		
17	PSHEP7218XCZZ		AK	N	C	Sheet		
18	TCAUA0770FCZZ		AB		C	Service caution label (Except Japan)		
19	TLABH0264GCZZ		AC		C	Service man label (200V series)		
20	TLABZ0058QSZZ		AD		C	Class 1 Label (200V series)		
22	MHNG-7010XCZZ		AE	N	C	OC hinge		
23	GCÖV-7042XCZZ		AV	N	C	Original Cover		
24	PSHEZ7219XCZZ		AT	N	C	OC Mat		
25	PGLSP7010XCZZ		AX	N	B	Original Table glass		
26	TLABH7405XCZZ		AG	N	C	Operation Label (Japan only)		
	TLABH7406XCZZ		AG	N	C	Operation Label (Other countries)		
27	TLABH7413XCZZ		AG	N	C	Platen Label (Japan only)		
	TLABH7403XCZZ		AG	N	C	Platen Label (Other countries)		
29	TLABH7414XCZZ		AC	N	C	Tray Label (Japan only)		
30	PMLT-7002XCZZ		AF	N	C	Shield cushion		
501	CSOU-0012GC36		AU	N	E	Paper feed unit (Japan only Include No.2,3,29)		
	CSOU-0012GC35		AU	N	E	Paper feed unit (Other countries Include No.1~3)		
502	CCÖV-7042XS51		BA	N	E	Original Cover unit (Include NO.22~25)		

- Ⓜ: Add
- Ⓢ: Change
- ⓧ: Delete
- ★: Others

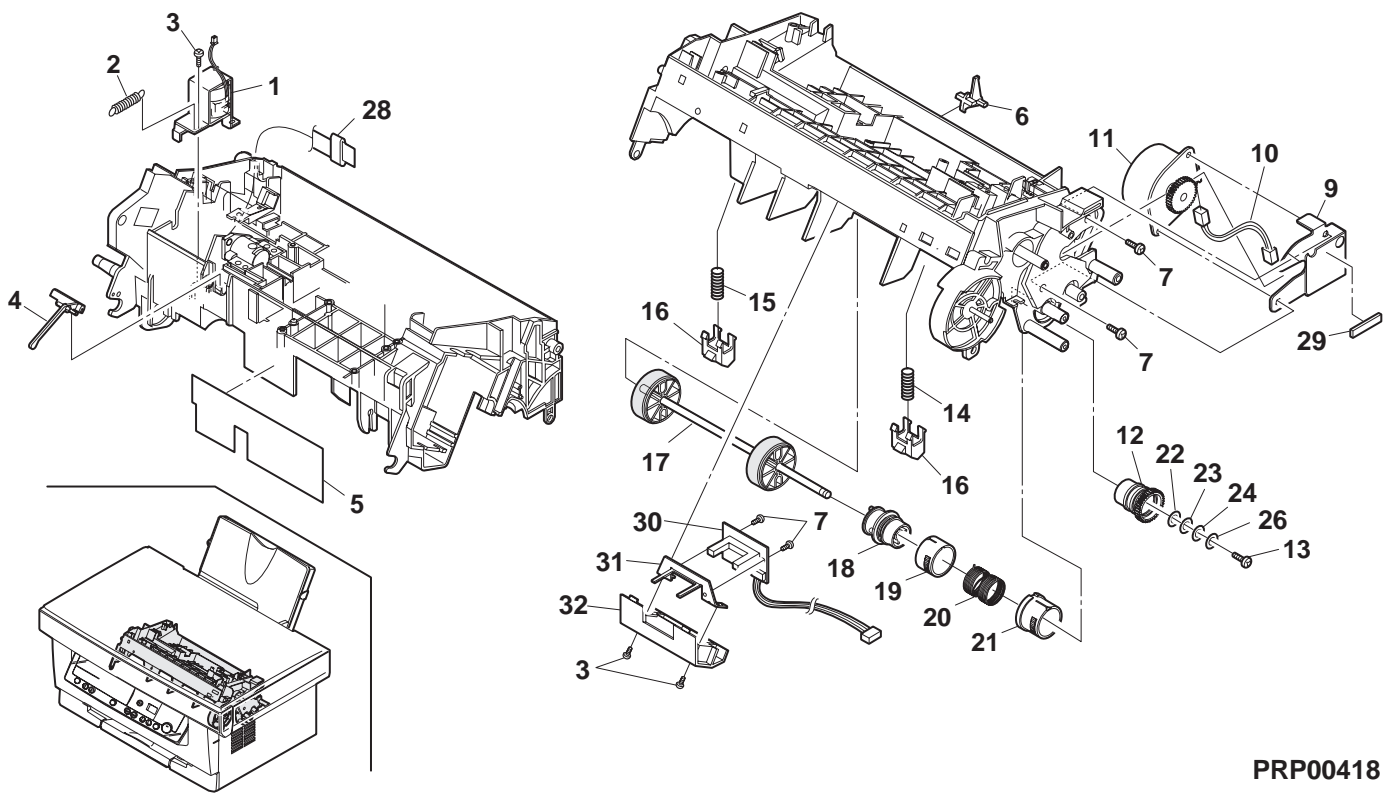
2 Operation Panel



3 General

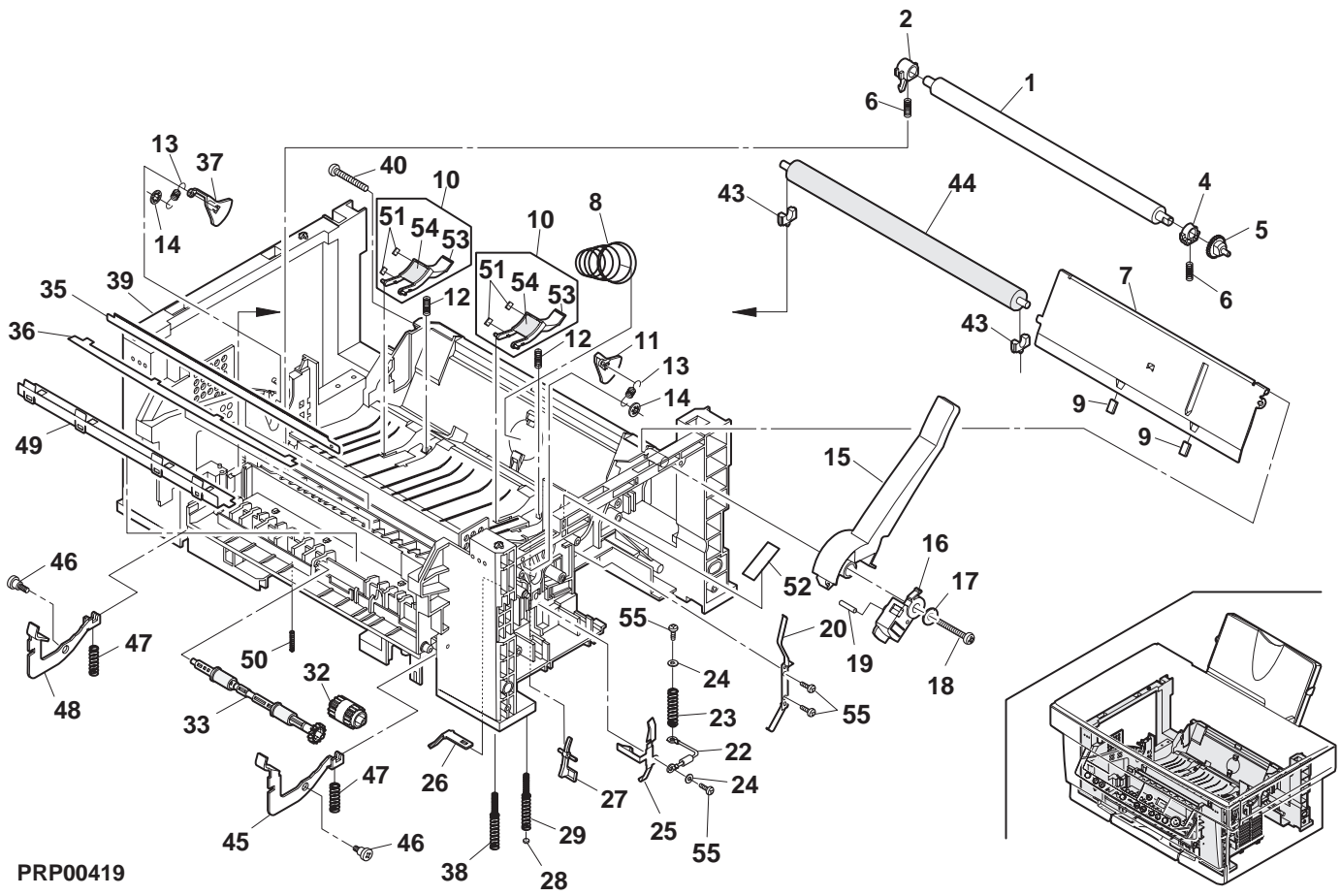


4 Upper Frame Section

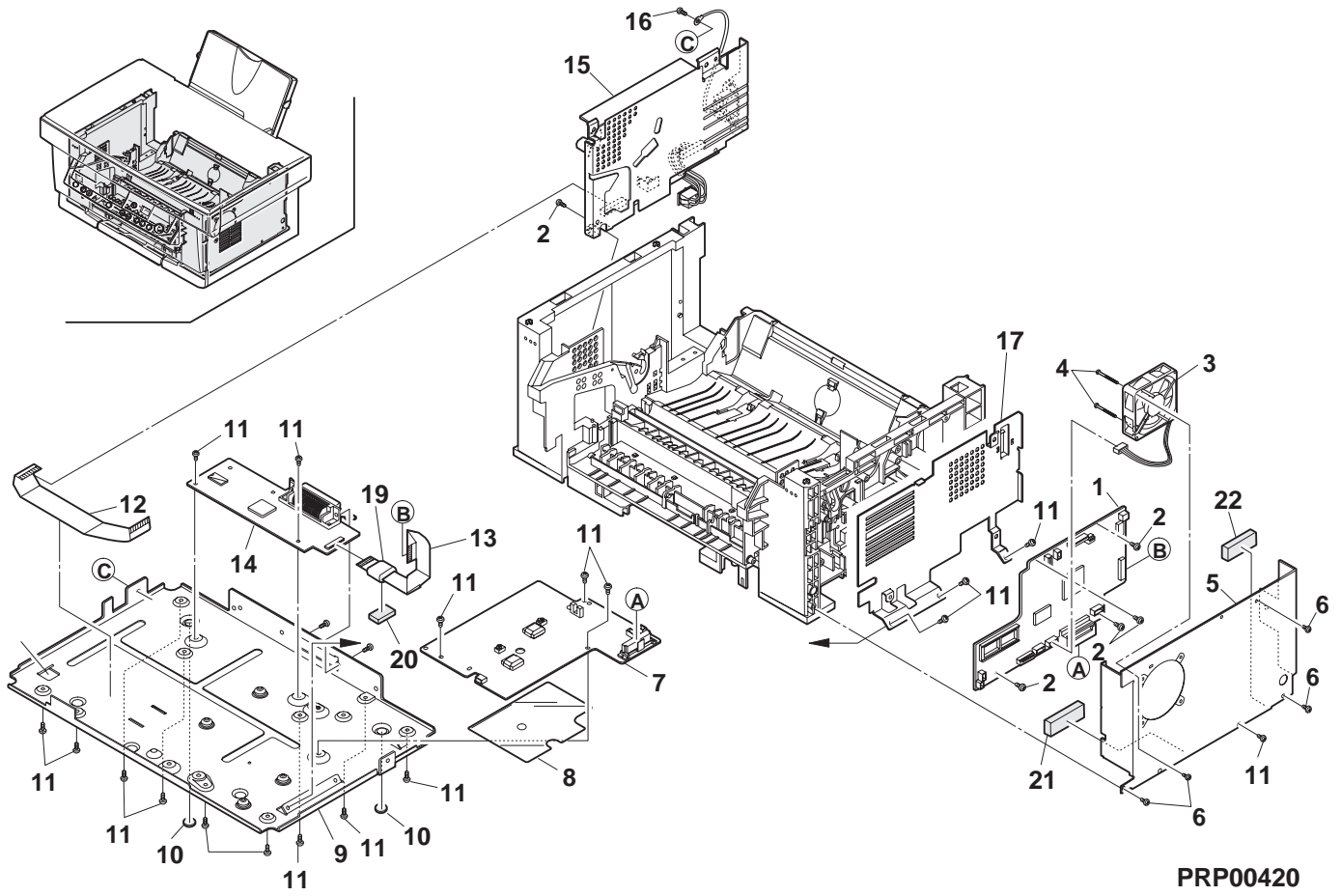


PRP00418

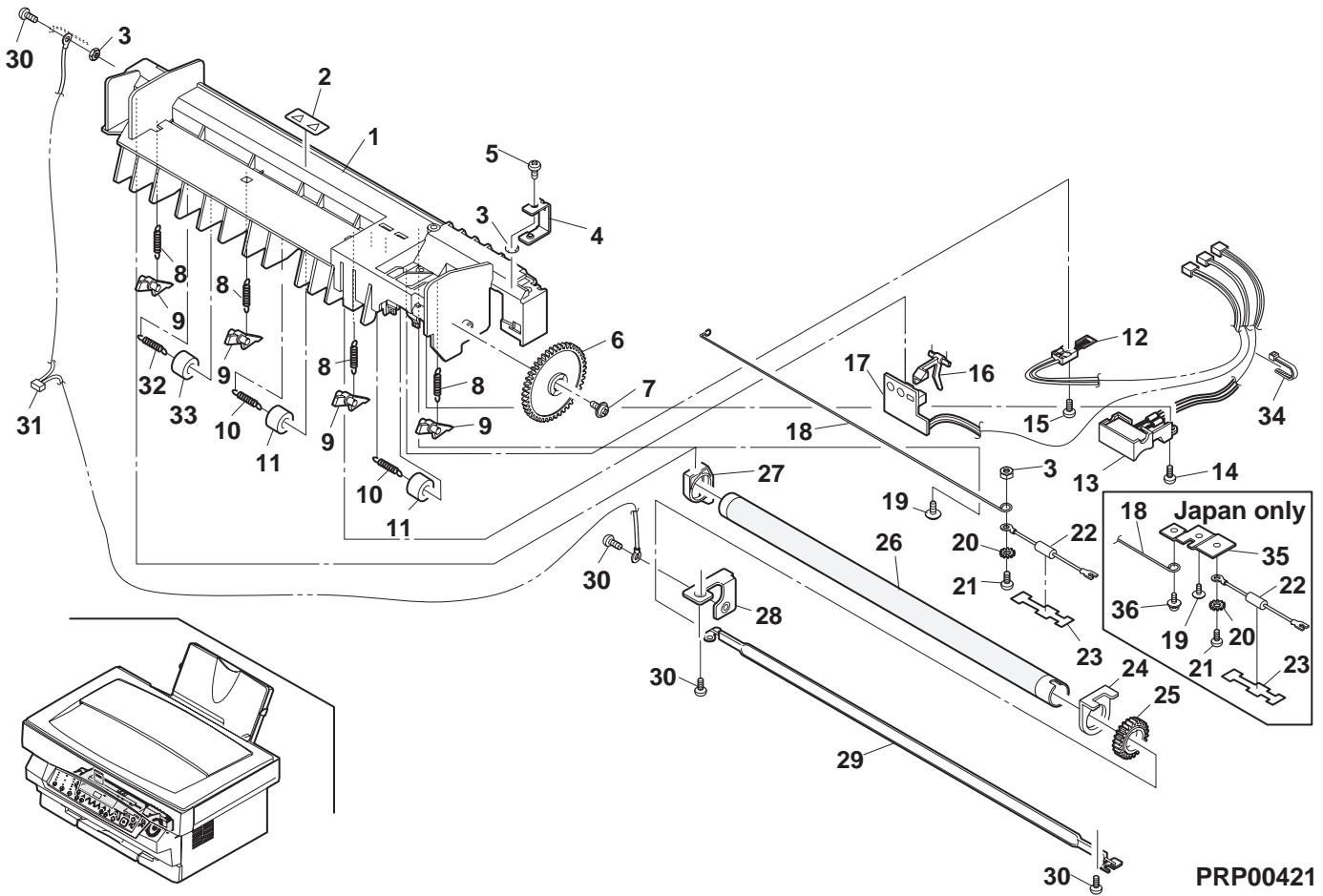
5 Lower Frame Section No.1



6 Lower Frame Section No.2



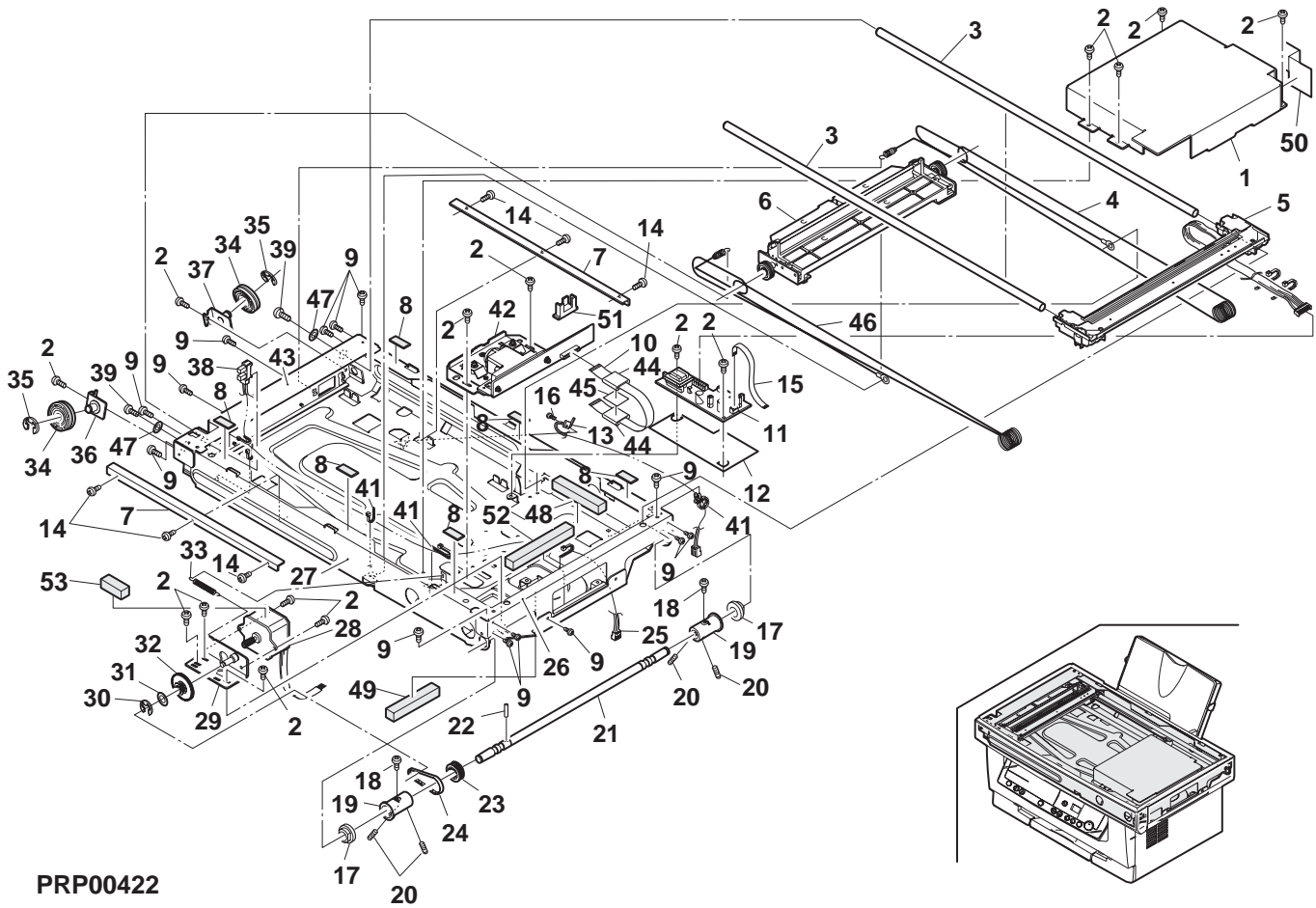
7 Fusing unit



7 Fusing unit

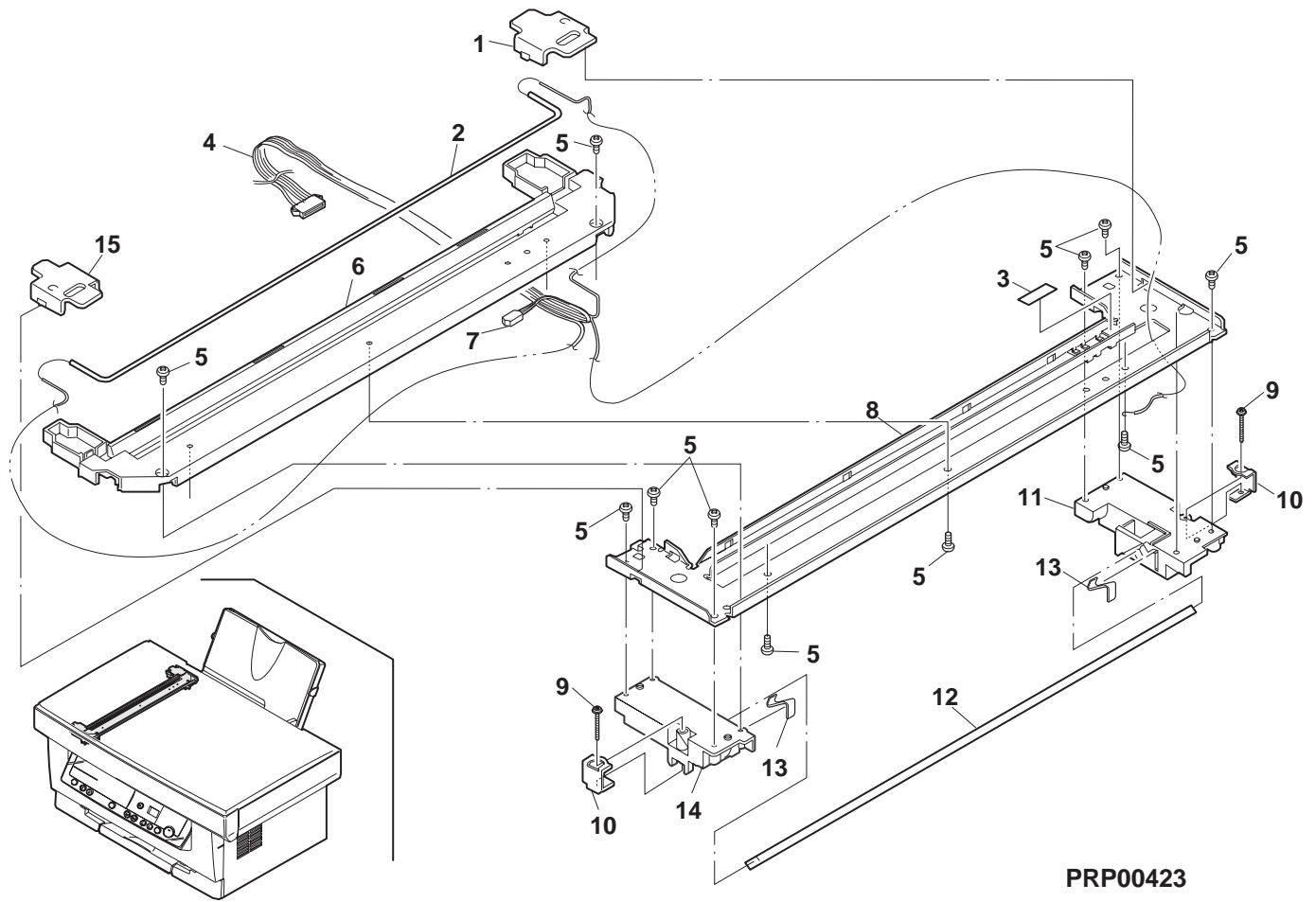
NO.	PARTS CODE	COMPATIBLE	PRICE RANK	NEW MARK	PART RANK	DESCRIPTION	TR NO.	VALID
1	PCOVP7036XCZZ		AV	N	C	Fusing cover (Japan only)		
	PCOVP7036XCZ1		AV	N	C	Fusing cover (Other countries)		
2	TCAUH1013FCZZ		AD		C	H.THP caution Label (Japan only)		
	TCAUH0992FCZZ		AE		C	High voltage caution Label (Other Countries)		
3	XNGSN30-18000		AC		C	Nut (M3)		
4	QSLP-0029GCZZ		AD		C	FU terminal		
5	XBPSN30P06KS0		AA		C	Screw (3x6KS)		
6	NGERH0174GCZZ		AD		C	PO idle gear		
7	XEPSD30P06X00		AA		C	Screw (3x8X)		
8	MSPRT0308GCZZ		AA		C	FU separator spring		
9	PTME-0022GCZZ		AF		C	Separator pawl		
10	MSPRT7153XCZZ		AC		C	PU roller spring		
11	NROLP0093GCZZ		AC		C	PU roller-B		
12	RDCT0014GCZZ		AP		B	Thermistor		
13	CHLDZ0040PS74		AU	N	E	Fuse Ass'y		
14	XEBSD30P08000		AA		C	Screw (3x8)		
15	XEBSD30P10000		AA		C	Screw (3x10)		
16	MLEVP7029XCZZ		AE	N	C	PO Actuator		
17	CPWBF1177DS61		AH	N	E	POD PWB unit		
18	PBARM7004XCZZ		AD	N	C	FU bar (Japan only)		
	PBARM0001GCA1		AD	N	C	FU bar (Other countries)		
19	LX-BZ3004SC0B		AA		C	Screw (3x4X)		
20	XWVUW30-04000		AA		C	Washer (3W)		
21	LX-BZ0030GCZZ		AB		C	Screw (3x5)		
22	QFS-T0005GCZZ		AQ		A	Fuse		
23	PSHEP0161GCZ2		AC		C	Fuse sheet C		
24	NBRGC0035GCZ1		AE		C	FU bearing R		
25	NGERH0083GCZZ		AC		C	Fusing gear (27T)		
26	NROLM0108GCZZ		AW		C	FU roller		
27	NBRGP0082GCZZ		AB		C	FU bearing		
28	QSLP-0030GCZZ		AD		C	FU-AC terminal C		
29	RLMPU0023GCZZ		AW		B	FU Lamp (100V series Japan)		
	RLMPU0021GCZZ		AX		B	FU Lamp (100V series U.S.A,Canada)		
	RLMPU0022GCZZ		AW		B	FU Lamp (200V series)		
30	XBPSN30P05K00		AA		C	Screw (3x5K)		
31	DHAi-7008XCZZ		AH	N	C	Lamp Harness (100V series)		
	DHAi-7009XCZZ		AG	N	C	Lamp Harness (200V series)		
32	MSPRT0318GCZZ		AA		C	PF guide Spring		
33	NROLP0113GCZZ		AD		C	PU guide roller		
34	LBNDJ0037FCZ1		AA		C	Wire band (T18S)		
35	QTANP7001XCZZ		AF	N	C	Terminal plate (Japan only)		
36	XBPSN30P05K00		AA		C	Screw (3x5K)(Japan only)		
901	(Unit)							
	DUNTW0154PS22		BK	N	E	Fusing unit (100V series Japan)		
	DUNTW0154PS23		BK	N	E	Fusing unit (100V series U.S.A,Canada)		
	DUNTW0154PS24		BK	N	E	Fusing unit (200V series)		

8 Scanner unit

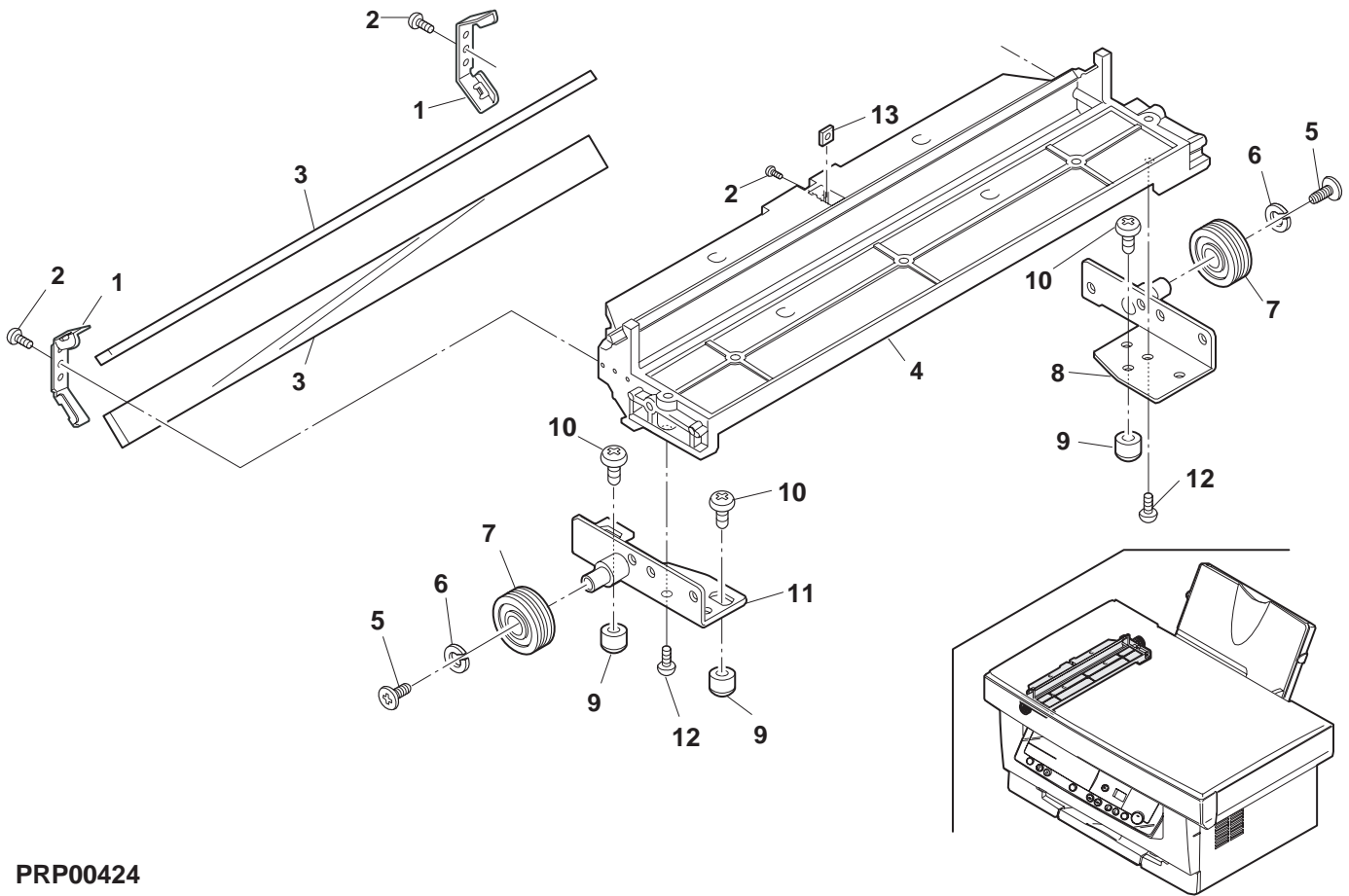


PRP00422

9 Carriage 1 unit

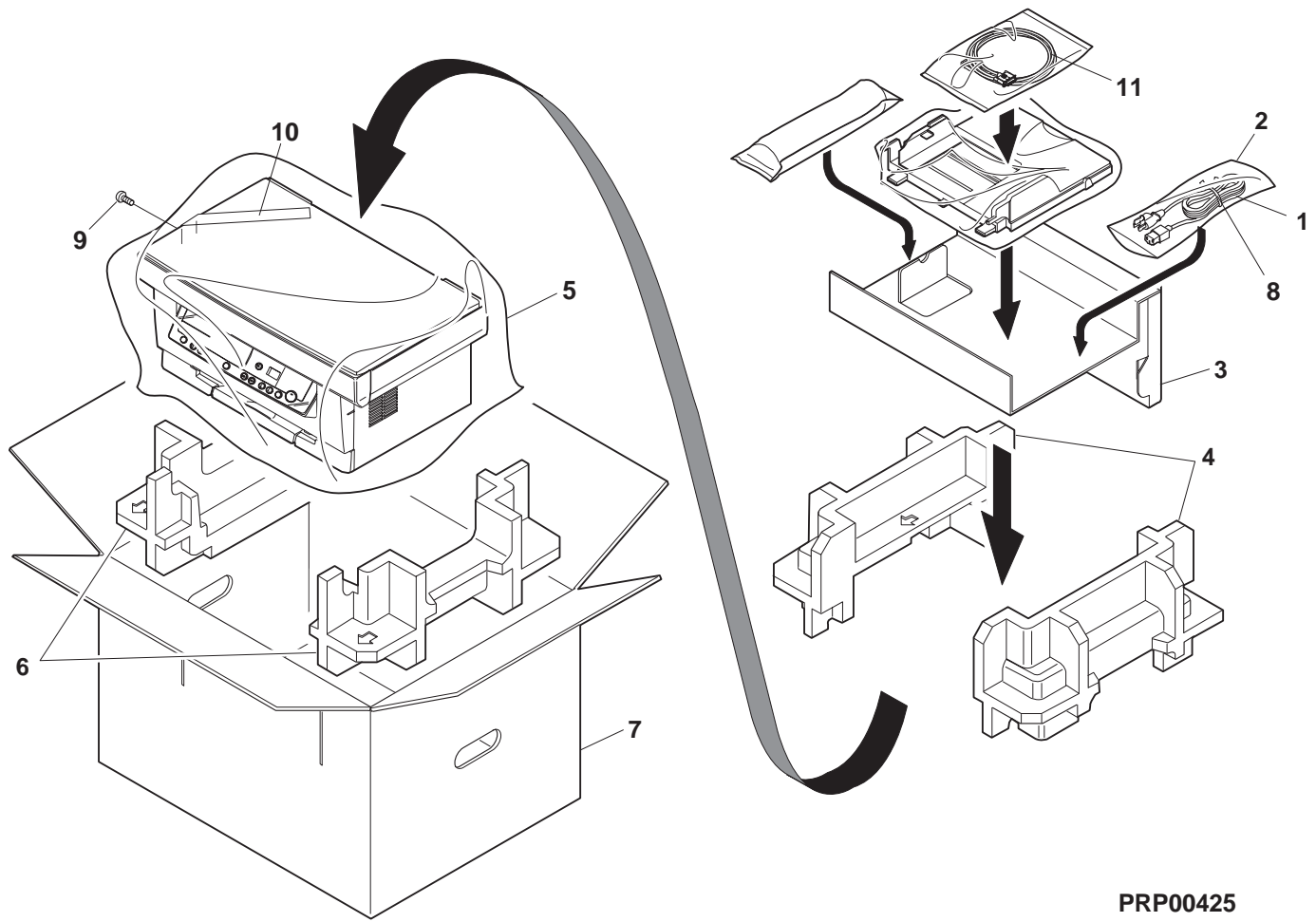


10 Carriage 2 unit



PRP00424

11 Packing Material & Accessories



PRP00425

11 Packing Material & Accessories

△
△
△
△
△

NO.	PARTS CODE	COMPATIBLE	PRICE RANK	NEW MARK	PART RANK	DESCRIPTION	TR NO.	VALID
1	QACCD7618QCZZ		AQ		B	AC Cable (100V series U.S.A,Canada)		
	QACCJ9610QCZZ		AR		B	AC Cable (100V series Japan)		
	QACCL7621QCZZ		AX		B	AC Cable (200V series Australia,NewZealand)		
	QACCB7620QCN1		AX		B	AC Cable (200V series U.Kingdom)		
	QACCV6621QCN1		AU		B	AC Cable (200V series Germany)		
2	SSAKA5003CCZZ		AA		D	Vinyl bag (140x260mm)		
3	SPAKA7709XCZZ		AF	N	D	Packing add for Accessories		
4	SPAKA7707XCZZ		AM	N	D	Packing add Upper (100V series)		
	SPAKA7717XCZZ		AL	N	D	Packing add Upper (200V series)		
5	UBAGF0039FCZZ		AG		D	Body vinyl bag		
6	SPAKA7708XCZZ		AM	N	D	Packing add Lower (100V series)		
	SPAKA7718XCZZ		AK	N	D	Packing add Lower (200V series)		
7	SPAKC7711XS12		AT	N	D	Packing Case (AL-800 Germany)		
	SPAKC7711XS16		AT	N	D	Packing Case (AL-800 Canada)		
	SPAKC7711XS11		AT	N	D	Packing Case (AL-800 U.S.A)		
	SPAKC7711XS18		AT	N	D	Packing Case (AL-800 Europe)		
	SPAKC7711XS20		AT	N	D	Packing Case (AL-800 U.Kingdom)		
	SPAKC7711XS22		AT	N	D	Packing Case (AL-800 Australia,NewZealand)		
	SPAKC7711XS13		AT	N	D	Packing Case (AL-840 Japan)		
	SPAKC7711XS14		AT	N	D	Packing Case (AL-840 U.S.A)		
	SPAKC7711XS17		AT	N	D	Packing Case (AL-840 Canada)		
	SPAKC7711XS15		AT	N	D	Packing Case (AL-840 Germany)		
	SPAKC7711XS21		AT	N	D	Packing Case (AL-840 U.Kingdom)		
	SPAKC7711XS19		AT	N	D	Packing Case (AL-840 Europe)		
8	SPAKC7711XS23		AT	N	D	Packing Case (AL-840 Australia,NewZealand)		
	LBNDJ0015FCZZ		AA		C	Cable band		
9	LX-BZ7052XCZZ		AC		C	Screw for scanner		
10	TTAG-7007XCZZ		AE	N	D	Scanner lock tag (Europe,U.Kingdom,Australia,NewZealand)		
11	QCNW-7212XCZZ		AY		C	Centro Cable (AL-840)		
101	SPAKA7714XCZZ		AC	N	D	Packing add DR		
102	SPAKA7715XCZZ		AE	N	D	Packing add Lever		
103	SPAKA7716XCZZ		AD	N	D	Packing add OC Cover		
104	T i NSE7285XCZZ		AX	N	D	Operation manual Copire (U.S.A)		
	T i NSE7287XCZZ		AX	N	D	Operation manual Copier (Canada,U.Kingdom,Australia,NewZealand)		
	T i NSF7290XCZZ		AX	N	D	Operation manual Copire (Canada:French)		
	T i NSZ7291XCZZ		AX	N	D	Operation manual Copire (Germany)		
	T i NSZ7292XCZZ		AX	N	D	Operation manual Copier (Europe)		
	T i NSJ7284XCZZ		AX	N	D	Operation manual Printer (Japan)		
	T i NSE7286XCZZ		AX	N	D	Operation manual Printer (U.S.A)		
	T i NSE7289XCZZ		AX	N	D	Operation manual Printer (Canada)		
105	T i NSL7293XCZZ		AX	N	D	Operation manual Printer (Germany,Europe,U.Kingdom,Australia,NewZealand)		
	TCADZ0036GCZZ		AC		D	License card (AL-840 U.Kingdom,Europe,Australia,NewZealand)		
106	TCADZ0046GCZZ		AF		D	License card BG (AL-840 U.Kingdom,Europe,Australia,NewZealand)		
107	SSAKA2340QCZZ		AA		D	Vinyle bag		
108	TGANJ7051XCZZ		AG	N	D	Guarantee card (AL-840 Japan)		

12 MCU PWB unit

NO.	PARTS CODE	COMPATIBLE	PRICE RANK	NEW MARK	PART RANK	DESCRIPTION	TR NO.	VALID
1	VCEAEU1CW226M		AA		C	Capacitor (16WV 22μF)	[C001-5]	
2	VCEAGA1VW106M		AA		C	Capacitor (35WV 10μF)	[C006]	
3	VCEAEU1CW226M		AA		C	Capacitor (16WV 22μF)	[C007]	
4	VCEAGU1HW476M		AB		C	Capacitor (50WV 47μF)	[C008]	
5	VCEAGA1VW106M		AA		C	Capacitor (35WV 10μF)	[C009-15]	
6	VCEAGU1EW476M		AB		C	Capacitor (25WV 47μF)	[C016]	
7	VCEAGA1VW106M		AA		C	Capacitor (35WV 10μF)	[C017]	
8	VCKYCY1HB102K		AA		C	Capacitor (50WV 1000pF)	[C101-103]	
9	VCKYCY1EF104Z		AA		C	Capacitor (25WV 0.10μF)	[C104]	
10	VCKYCY1HB102K		AA		C	Capacitor (50WV 1000pF)	[C105-115]	
11	VCKYCY1EF104Z		AA		C	Capacitor (25WV 0.10μF)	[C116]	
12	VCKYTV1HB223K		AA		C	Capacitor (50WV 0.022μF)	[C117]	
13	VCKYCY1HB102K		AA		C	Capacitor (50WV 1000pF)	[C118]	
14	VCKYCY1EF104Z		AA		C	Capacitor (25WV 0.10μF)	[C119]	
15	VCKYCY1HB102K		AA		C	Capacitor (50WV 1000pF)	[C120]	
16	VCKYCY1EF104Z		AA		C	Capacitor (25WV 0.10μF)	[C121]	
17	VCKYTV1HF104Z		AA		C	Capacitor (50WV 0.10μF)	[C122,123]	
18	VCKYCY1EF104Z		AA		C	Capacitor (25WV 0.10μF)	[C124-126]	
19	VCCCY1HH101J		AA		C	Capacitor (50WV 100pF)	[C127,128]	
20	VCKYCY1HB102K		AA		C	Capacitor (50WV 1000pF)	[C131]	
21	VCKYCY1EF104Z		AA		C	Capacitor (25WV 0.10μF)	[C132,133]	
22	VCKYTV1HB223K		AA		C	Capacitor (50WV 0.022μF)	[C134]	
23	VCCCY1HH101J		AA		C	Capacitor (50WV 100pF)	[C135]	
24	VCCCY1HH100D		AA		C	Capacitor (50WV 10PF)	[C136,137]	
25	VCKYCY1HB102K		AA		C	Capacitor (50WV 1000pF)	[C138,139]	
26	VCKYTV1HF104Z		AA		C	Capacitor (50WV 0.10μF)	[C140]	
27	VCCCY1HH101J		AA		C	Capacitor (50WV 100pF)	[C141,142]	
28	VCKYTV1HB223K		AA		C	Capacitor (50WV 0.022μF)	[C143]	
29	VCKYCY1EF104Z		AA		C	Capacitor (25WV 0.10μF)	[C144]	
30	VCCCY1HH101J		AA		C	Capacitor (50WV 100pF)	[C145-154]	
31	VCCCY1HH101J		AA		C	Capacitor (50WV 100pF)	[C156]	
32	VCKYCY1EF104Z		AA		C	Capacitor (25WV 0.10μF)	[C157]	
33	VCKYCY1HB102K		AA		C	Capacitor (50WV 1000pF)	[C159]	
34	VCKYCY1EF104Z		AA		C	Capacitor (25WV 0.10μF)	[C161]	
35	VCKYCY1HB472K		AA		C	Capacitor (50WV 4700PF)	[C162]	
36	VCKYCY1EF104Z		AA		C	Capacitor (25WV 0.10μF)	[C163-165]	
37	VCKYCY1EF104Z		AA		C	Capacitor (25WV 0.10μF)	[C168,169]	
38	VCCCY1HH101J		AA		C	Capacitor (50WV 100pF)	[C170,171]	
39	VCKYCY1EF104Z		AA		C	Capacitor (25WV 0.10μF)	[C172,173]	
40	VCCCY1HH101J		AA		C	Capacitor (50WV 100pF)	[C174-181]	
41	VCKYCY1EF104Z		AA		C	Capacitor (25WV 0.10μF)	[C182-186]	
42	VCKYTV1HF104Z		AA		C	Capacitor (50WV 0.10μF)	[C187]	
43	VCCCY1HH120J		AA		C	Capacitor (50WV 12pF)	[C188]	
44	VCKYCY1EF104Z		AA		C	Capacitor (25WV 0.10μF)	[C189]	
45	VCKYTV1HB223K		AA		C	Capacitor (50WV 0.022μF)	[C190]	
46	VCKYTV1HB223K		AA		C	Capacitor (50WV 0.022μF)	[C191]	
47	VCKYCY1EF104Z		AA		C	Capacitor (25WV 0.10μF)	[C192]	
48	VCKYTV1HB223K		AA		C	Capacitor (50WV 0.022μF)	[C193]	
49	VCKYCY1EF104Z		AA		C	Capacitor (25WV 0.10μF)	[C194-199]	
50	VCKYCY1HB471K		AB		C	Capacitor (50WV 470pF)	[C200]	
51	VCKYCY1HB222K		AA		C	Capacitor (50WV 2200pF)	[C201]	
52	VCKYTV1HF104Z		AA		C	Capacitor (50WV 0.10μF)	[C202]	
53	VCKYCY1EF104Z		AA		C	Capacitor (25WV 0.10μF)	[C205-209]	
54	VCKYTV1HF104Z		AA		C	Capacitor (50WV 0.10μF)	[C210]	
55	VCKYCY1EF104Z		AA		C	Capacitor (25WV 0.10μF)	[C212-214]	
56	VCKYCY1HB222K		AA		C	Capacitor (50WV 2200pF)	[C215]	
57	VCKYCY1HB471K		AB		C	Capacitor (50WV 470PF)	[C216]	
58	VCKYCY1HB102K		AA		C	Capacitor (50WV 1000pF)	[C217,218]	
59	VCKYCY1EF104Z		AA		C	Capacitor (25WV 0.10μF)	[C219]	
60	VCKYCY1HB102K		AA		C	Capacitor (50WV 1000pF)	[C220-223]	
61	VCKYCY1EF104Z		AA		C	Capacitor (25WV 0.10μF)	[C224]	
62	VCKYTV1HF104Z		AA		C	Capacitor (50WV 0.10μF)	[C225]	
63	VCKYCY1HB102K		AA		C	Capacitor (50WV 1000pF)	[C227]	
64	VCKYCY1HB222K		AA		C	Capacitor (50WV 2200pF)	[C228]	
65	VCKYCY1HB102K		AA		C	Capacitor (50WV 1000pF)	[C229-234]	
66	VCKYCY1EF104Z		AA		C	Capacitor (25WV 0.10μF)	[C235]	
67	VCKYTV1HF104Z		AA		C	Capacitor (50WV 0.10μF)	[C236]	
68	VCKYCY1HB102K		AA		C	Capacitor (50WV 1000pF)	[C237,238]	
69	VCKYCY1EF104Z		AA		C	Capacitor (25WV 0.10μF)	[C239,240]	
70	VCKYCY1HB222K		AA		C	Capacitor (50WV 2200PF)	[C241]	
71	VCCCY1HH101J		AA		C	Capacitor (50WV 100pF)	[C244]	
72	VCKYCY1EF104Z		AA		C	Capacitor (25WV 0.10μF)	[C245,246]	
73	VCCCY1HH330J		AA		C	Capacitor (500WV 33pF)	[C247]	
74	QCNCW1124LC1B		AC		C	Connector (12pin)	[CN01]	
75	QCNCM7014SC0B		AD		C	Connector (2pin)	[CN02]	
76	QCNCM7014SC0F		AB		C	Connector (6pin)	[CN03]	
77	QCNCM7014SC0E		AB		C	Connector (5pin)	[CN04]	
78	QCNCW7044XCZZ		AG		C	Connector	[CN05]	
79	QCNCM7014SC0E		AB		C	Connector (5pin)	[CN06]	
80	QCNCM7014SC0C		AA		C	Connector (3pin)	[CN07]	

12 MCU PWB unit

NO.	PARTS CODE	COMPATIBLE	PRICE RANK	NEW MARK	PART RANK	DESCRIPTION	TR NO.	VALID
81	QCNCW7042XC2J		AE	N	C	Connector (20pin)	[CN08]	
82	QCNCW0053GCZZ		AD		C	Connector (9pin)	[CN09]	
83	QCNCW1124LC0D		AB		C	Connector (4pin)	[CN10]	
84	QCNCW0015QSZZ		AE	N	C	Connector (5pin)	[CN11]	
85	QCNCM7014SC0C		AA		C	Connector (3pin)	[CN12]	
86	QCNCM7022SC0B		AB		C	Connector (2pin)	[CN13]	
87	QCNCW1135LC2B		AE		C	Connector (22pin)	[CN14]	
88	VHD1SS355//--1		AB		B	Diode (1SS355)	[D001]	
89	VHDIN4005E/--2		AB	N	B	Diode (1N4005E)	[D002]	
90	VHDDA204K//--1		AC		B	Diode (DA204K)	[D101-104]	
91	VHDDAN217//--1		AC		B	Diode (DAN217)	[D105,106]	
92	VHDDA204K//--1		AC		B	Diode (DA204K)	[D107-111]	
93	VHDDAN202K//--1		AB		B	Diode (DAN202K)	[D112]	
94	VHDDA204K//--1		AC		B	Diode (DA204K)	[D113-115]	
95	VHD1SS355//--1		AB		B	Diode (1SS355)	[D117]	
96	RCILZ0004QSZZ		AE		C	EMI filter (NFM839R02C470R101)	[EF1-3]	
97	VHIM24C02WBN6		AG		B	IC (M24C02WBN6)	[IC001]	
98	VH1341256SJ12		AN	N	B	IC (341256SJ12)	[IC002,3]	
99	VHIM51953BL-1		AF		B	IC (M51953BL)	[IC004]	
100	VHIH8S/2350FP		AY		B	IC (H8S/2350FP)	[IC005]	
101	QSOCZ0002GCZZ		AD		C	IC socket (40pin)	[IC006]	
102	VHI27C1024-80		AW		B	IC (27C1024-80)	[IC006]	
103	VHI16163CLT-6		BA		B	IC (16163CLT-6)	[IC007]	
104	VHIG73C025FD		BE		B	IC (HG73C025FD)	[IC008]	
105	VHI16163CLT-6		BA		B	IC (16163CLT-6)	[IC009,10]	
106	VH1341256SJ12		AN	N	B	IC (341256SJ12)	[IC011,12]	
107	VHISLA7027MU/		AQ		B	IC (SLA7027MU)	[IC013]	
108	VHITC74HC244F		AM		B	IC (TC74HC244F)	[IC101]	
109	VHITC74HC04FN		AD		B	IC (TC74HC04FN)	[IC102]	
110	VHITC74HC08F1		AF		B	IC (TC74HC08F1)	[IC103]	
111	VHITC74HC32AF		AC		B	IC (TC74HC32AF)	[IC104]	
112	VHIM66236FP-1		AT		B	IC (M66236FP)	[IC105]	
113	VHINJM2903M/-		AD		B	IC (NJM2903M)	[IC106]	
114	VHILM358PS/-S		AC		B	IC (LM358PS)	[IC107]	
115	VHINJM3414M-1		AF		B	IC (NJM3414M)	[IC108]	
116	VHISN74LS07NS		AF		B	IC (SN74LS07NS)	[IC109]	
117	VHILM7121/////		AQ	N	B	IC (LM7121)	[IC110]	
118	VHI74HC4066AF		AD		B	IC (74HC4066AF)	[IC111]	
119	VHLH50506N-2		AU		B	IC (LH50506N)	[IC112]	
120	VHVICPN38//--1		AF	N	B	IC Protector (ICPN38)	[ICP1]	
121	RCILZ1032CCZZ		AD		C	Coil (SBO-02SAN)	[L01-07]	
122	RCILZ1032CCZZ		AD		C	Coil (SBO-02SAN)	[L09]	
123	RFILN0019GCZZ		AC	N	C	Filter	[L11]	
124	VS2SA1036KQRC		AB		B	Transistor (2SA1036KQRC)	[Q101]	
125	VRS-RE3DA1R0J		AB		C	Resistor (2W 1.0Ω ±5%)	[R001,2]	
126	VRS-TP2BD472J		AA		C	Resistor (1/8W 4.7KΩ ±5%)	[R101]	
127	VRS-CY1JD473J		AA		C	Resistor (1/16W 47KΩ ±5%)	[R102]	
128	VRS-CY1JD103J		AA		C	Resistor (1/16W 10KΩ ±5%)	[R103]	
129	VRS-CY1JD203J		AA		C	Resistor (1/16W 20KΩ ±5%)	[R104]	
130	VRS-CY1JD103J		AA		C	Resistor (1/16W 10KΩ ±5%)	[R105,106]	
131	VRS-CY1JD102J		AA		C	Resistor (1/16W 1KΩ ±5%)	[R107-109]	
132	VRS-CY1JD103J		AA		C	Resistor (1/16W 10KΩ ±5%)	[R110,111]	
133	VRS-CY1JD102J		AA		C	Resistor (1/16W 1KΩ ±5%)	[R112]	
134	VRS-CY1JD101J		AA		C	Resistor (1/16W 100Ω ±5%)	[R113]	
135	VRS-CY1JD103J		AA		C	Resistor (1/16W 10KΩ ±5%)	[R114]	
136	VRS-TP2BD432J		AA	N	C	Resistor (1/8W 4.3KΩ ±5%)	[R115]	
137	VRS-TP2BD181J		AA		C	Resistor (1/8W 180Ω ±5%)	[R116]	
138	VRS-CY1JD000J		AA		C	Resistor (1/16W 0Ω ±5%)	[R117]	
139	VRS-CY1JD102J		AA		C	Resistor (1/16W 1KΩ ±5%)	[R118]	
140	VRS-CY1JD912J		AA		C	Resistor (1/16W 9.1KΩ ±5%)	[R119]	
141	VRS-CY1JD333J		AA		C	Resistor (1/16W 33KΩ ±5%)	[R120]	
142	VRS-CY1JD102J		AA		C	Resistor (1/16W 1KΩ ±5%)	[R121]	
143	VRS-CY1JD203J		AA		C	Resistor (1/16W 20KΩ ±5%)	[R122]	
144	VRS-CY1JD911J		AA		C	Resistor (1/16W 910Ω ±5%)	[R123]	
145	VRS-CY1JD103J		AA		C	Resistor (1/16W 10KΩ ±5%)	[R124]	
146	VRS-CY1JD000J		AA		C	Resistor (1/16W 0Ω ±5%)	[R125]	
147	VRS-CY1JD203J		AA		C	Resistor (1/16W 20KΩ ±5%)	[R126]	
148	VRS-CY1JD103J		AA		C	Resistor (1/16W 10KΩ ±5%)	[R127]	
149	VRS-CY1JD331J		AA		C	Resistor (1/16W 330Ω ±5%)	[R128]	
150	VRS-CY1JD102J		AA		C	Resistor (1/16W 1KΩ ±5%)	[R129]	
151	VRS-CY1JD332J		AA		C	Resistor (1/16W 3.3KΩ ±5%)	[R130]	
152	VRS-CY1JD680J		AA		C	Resistor (1/16W 68Ω ±5%)	[R131]	
153	VRS-CY1JD332J		AA		C	Resistor (1/16W 3.3KΩ ±5%)	[R132]	
154	VRS-CY1JD470J		AA		C	Resistor (1/16W 47Ω ±5%)	[R134-142]	
155	VRS-CY1JD220J		AA		C	Resistor (1/16W 22Ω ±5%)	[R143]	
156	VRS-CY1JD205J		AA		C	Resistor (1/16W 2.0MΩ ±5%)	[R144]	
157	VRS-CY1JD162J		AA		C	Resistor (1/16W 1.6KΩ ±5%)	[R145]	
158	VRS-CY1JD103J		AA		C	Resistor (1/16W 10KΩ ±5%)	[R146]	
159	VRS-CY1JD205J		AA		C	Resistor (1/16W 2.0MΩ ±5%)	[R147]	

14 ICU PWB unit(AL-840)

NO.	PARTS CODE	COMPATIBLE	PRICE RANK	NEW MARK	PART RANK	DESCRIPTION	TR NO.	VALID
1	VCKYTV1EF104Z		AA		C	Capacitor (25WV 0.10μF)	[C201]	
2	VCEAEA1AW476M		AB		C	Capacitor (10WV 47μF)	[C202]	
3	VCKYTV1EF104Z		AA		C	Capacitor (25WV 0.10μF)	[C203,204]	
4	VCCCTV1HH182J		AC	N	C	Capacitor (50WV 1800pF)	[C205]	
5	VCCCTV1HH470J		AA		C	Capacitor (50WV 47PF)	[C206]	
6	VCKYTV1EF104Z		AA		C	Capacitor (25WV 0.10μF)	[C207]	
7	VCCCTV1HH101J		AA		C	Capacitor (50WV 100PF)	[C208]	
8	VCCCTV1HH391J		AA		C	Capacitor (50WV 390PF)	[C209]	
9	VCCCTV1HH101J		AA		C	Capacitor (50WV 100PF)	[C210]	
10	VCCCTV1HH391J		AA		C	Capacitor (50WV 390PF)	[C211]	
11	VCCCTV1HH101J		AA		C	Capacitor (50WV 100PF)	[C212]	
12	VCCCTV1HH391J		AA		C	Capacitor (50WV 390PF)	[C213]	
13	VCCCTV1HH101J		AA		C	Capacitor (50WV 100PF)	[C214-216]	
14	VCCCTV1HH681J		AA		C	Capacitor (50WV 680PF)	[C217,C241]	
15	VCCCTV1HH470J		AA		C	Capacitor (50WV 47PF)	[C218]	
16	VCKYTV1HB103K		AB		C	Capacitor (50WV 0.010μF)	[C219]	
17	VCKYTV1EF104Z		AA		C	Capacitor (25WV 0.10μF)	[C220-232]	
18	VCCCTV1HH391J		AA		C	Capacitor (50WV 390pF)	[C233]	
19	VCCCTV1HH101J		AA		C	Capacitor (50WV 100pF)	[C234,235]	
20	VCCCTV1HH391J		AA		C	Capacitor (50WV 390pF)	[C236]	
21	VCCCTV1HH101J		AA		C	Capacitor (50WV 100pF)	[C237]	
22	VCCCTV1HH391J		AA		C	Capacitor (50WV 390pF)	[C238]	
23	VCCCTV1HH101J		AA		C	Capacitor (50WV 100pF)	[C239,240]	
24	VCCCTV1HH681J		AA		C	Capacitor (50WV 680PF)	[C241]	
25	VCKYTV1EF104Z		AA		C	Capacitor (25WV 0.10μF)	[C242]	
26	QCNCW7041XCZZ		AG		C	Connector (36pin)	[CN201,202]	
27	QCNCW7042XC2J		AE	N	C	Connector (20pin)	[CN203]	
28	VH14M8S0J-70/		BB		B	IC (4M20SOJ-70)	[IC201]	
29	VH1SLA303TF2B		AY		B	IC (SLA303T)	[IC202]	
30	RF1LN0019GCZZ		AC	N	C	Coil	[L202,203]	
31	RF1LN0019GCZZ		AC	N	C	Coil	[L207,208]	
32	RF1LN0019GCZZ		AC	N	C	Coil	[L214-216]	
33	RF1LN0019GCZZ		AC	N	C	Coil	[L219-227]	
34	RC1LZ0006GCZZ		AC		C	Coil	[L228]	
35	RF1LN0019GCZZ		AC	N	C	Coil	[L233-241]	
36	VRS-TS2AD103J		AA		C	Resistor (1/10W 10KΩ ±5%)	[R201-208]	
37	VRS-TS2AD221J		AA		C	Resistor (1/10W 220Ω ±5%)	[R209]	
38	VRS-TS2AD103J		AA		C	Resistor (1/10W 10KΩ ±5%)	[R210]	
39	VRS-TS2AD222J		AA		C	Resistor (1/10W 2.2KΩ ±5%)	[R211]	
40	VRS-TS2AD122J		AA		C	Resistor (1/10W 1.2KΩ ±5%)	[R212]	
41	VRS-TS2AD332J		AA		C	Resistor (1/10W 3.3KΩ ±5%)	[R213]	
42	VRS-TS2AD122J		AA		C	Resistor (1/10W 1.2KΩ ±5%)	[R214-216]	
43	VRS-TS2AD221J		AA		C	Resistor (1/10W 220Ω ±5%)	[R217]	
44	VRS-TS2AD122J		AA		C	Resistor (1/10W 1.2KΩ ±5%)	[R218]	
45	VRS-TS2AD221J		AA		C	Resistor (1/10W 220Ω ±5%)	[R219]	
46	VRS-TS2AD122J		AA		C	Resistor (1/10W 1.2KΩ ±5%)	[R220]	
47	VRS-TS2AD221J		AA		C	Resistor (1/10W 220Ω ±5%)	[R221]	
48	VRS-TS2AD122J		AA		C	Resistor (1/10W 1.2KΩ ±5%)	[R222]	
49	VRS-TS2AD221J		AA		C	Resistor (1/10W 220Ω ±5%)	[R223]	
50	VRS-TS2AD122J		AA		C	Resistor (1/10W 1.2KΩ ±5%)	[R224]	
51	VRS-TS2AD221J		AA		C	Resistor (1/10W 220Ω ±5%)	[R225]	
52	VRS-TS2AD122J		AA		C	Resistor (1/10W 1.2KΩ ±5%)	[R226]	
53	VRS-TS2AD221J		AA		C	Resistor (1/10W 220Ω ±5%)	[R227]	
54	VRS-TS2AD122J		AA		C	Resistor (1/10W 1.2KΩ ±5%)	[R228]	
55	VRS-TS2AD221J		AA		C	Resistor (1/10W 220Ω ±5%)	[R229]	
56	VRS-TS2AD122J		AA		C	Resistor (1/10W 1.2KΩ ±5%)	[R230]	
57	VRS-TS2AD221J		AA		C	Resistor (1/10W 220Ω ±5%)	[R231]	
58	VRS-TS2AD122J		AA		C	Resistor (1/10W 1.2KΩ ±5%)	[R232]	
59	VRS-TS2AD221J		AA		C	Resistor (1/10W 220Ω ±5%)	[R233]	
60	VRS-TS2AD105J		AA		C	Resistor (1/10W 1MΩ ±5%)	[R234]	
61	VRS-TS2AD122J		AA		C	Resistor (1/10W 1.2KΩ ±5%)	[R235-248]	
62	VRS-TS2AD332J		AA		C	Resistor (1/10W 3.3KΩ ±5%)	[R249]	
63	VRS-TS2AD122J		AA		C	Resistor (1/10W 1.2KΩ ±5%)	[R250-252]	
64	VRS-TS2AD221J		AA		C	Resistor (1/10W 220Ω ±5%)	[R253,254]	
65	VRS-TS2AD122J		AA		C	Resistor (1/10W 1.2KΩ ±5%)	[R255,256]	
66	VRS-TS2AD221J		AA		C	Resistor (1/10W 220Ω ±5%)	[R257,258]	
67	VRS-TS2AD122J		AA		C	Resistor (1/10W 1.2KΩ ±5%)	[R259,260]	
68	VRS-TS2AD221J		AA		C	Resistor (1/10W 220Ω ±5%)	[R261,262]	
69	VRS-TS2AD122J		AA		C	Resistor (1/10W 1.2KΩ ±5%)	[R263,264,R267]	
70	VRS-TS2AD221J		AA		C	Resistor (1/10W 220Ω ±5%)	[R265,266]	
71	RMP4181QCJJ		AA		B	Block resistor (180Ω×4)	[RA1-3]	
72	RCRSZ0028GCZZ		AH		B	Crystal (35.5721237MHz)	[X201]	
	(Unit)							
901	CPWBF7018WS51		CF	N	E	ICU PWB unit (AL-840)		

