

SHARP PARTS GUIDE

No. 00ZAM400SGSME

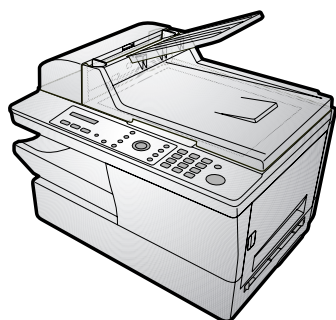


Illustration:AM-400SG

DIGITAL MULTIFUNCTIONAL SYSTEM

MODEL **AM-400SG**

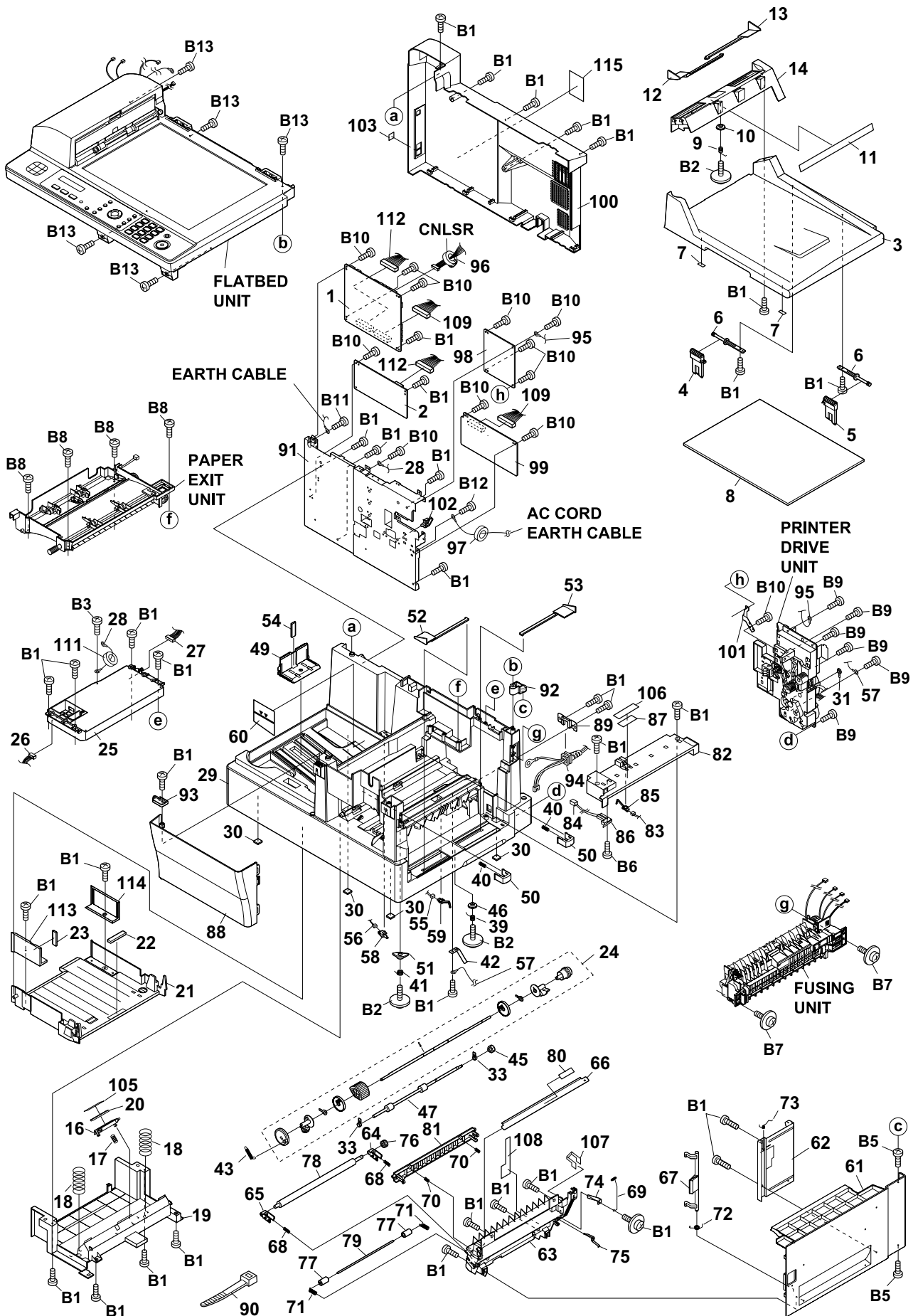
MODEL	SELECTION CODE	DESTINATION
AM-400	SG	Singapore
AM-400	TH	Thailand

CONTENTS

- | | |
|------------------------------------|---------------------------------|
| [1] Cabinet,etc. | [9] Control PWB unit(AM-400SG) |
| [2] Flatbed unit | [10] Control PWB unit(AM-400TH) |
| [3] Scanner unit | [11] LIU PWB unit(AM-400SG) |
| [4] Paper exit unit | [12] LIU PWB unit(AM-400TH) |
| [5] Fusing unit | [13] Power supply PWB unit |
| [6] Printer drive unit | [14] High voltage PWB unit |
| [7] Drive unit | [15] Operation panel PWB unit |
| [8] Packing material & Accessories | ■ INDEX |

Parts marked with "△" are important for maintaining the safety of the set. Be sure to replace these parts with specified ones for maintaining the safety and performance of the set.

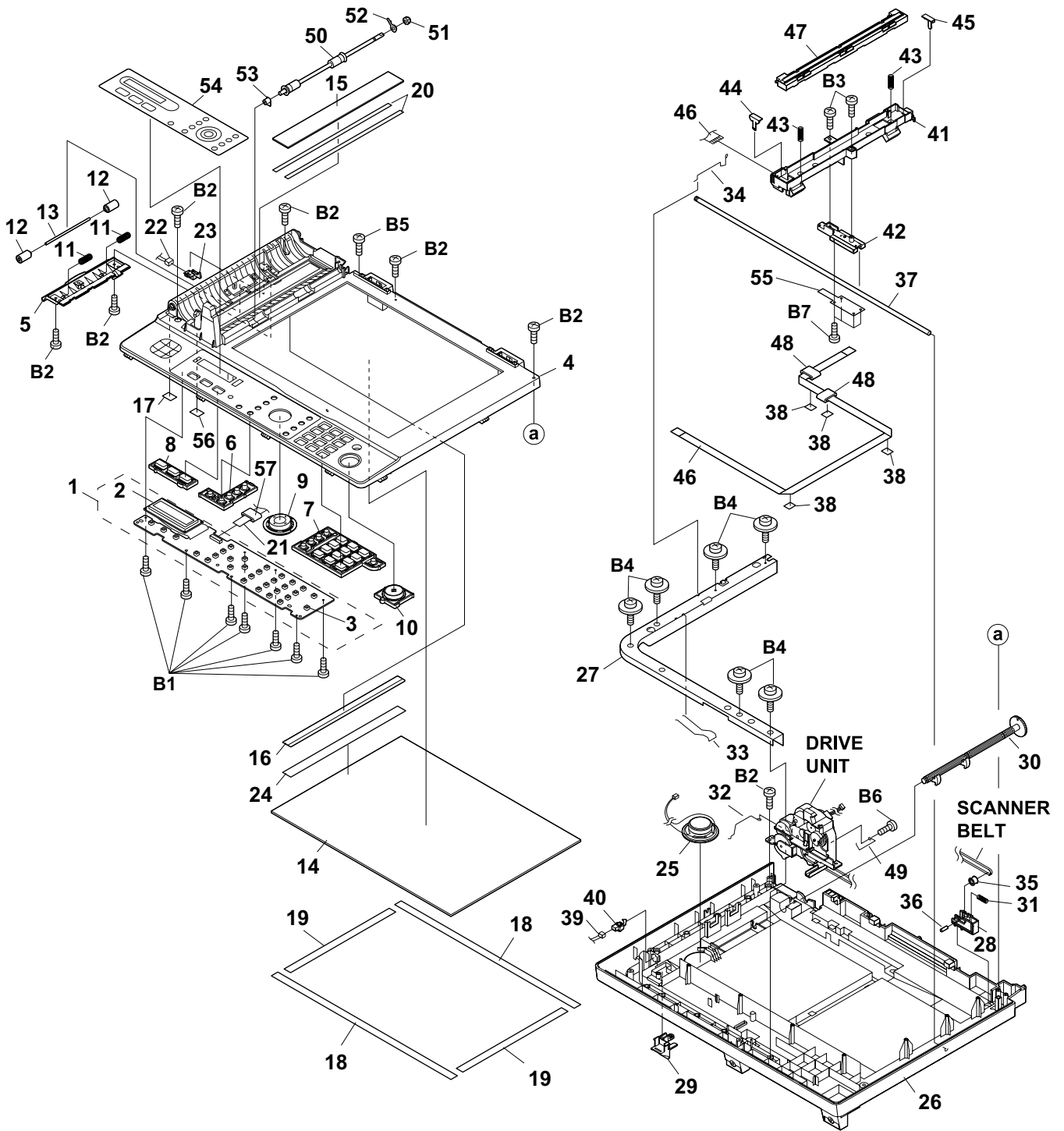
[1] Cabinet, etc.



NO.	PARTS CODE	PRICE RANK	NEW MARK	PART RANK	DESCRIPTION
[1] Cabinet,etc.					
1	DCEKC585VXHZZ	CC	N	E	Control PWB unit(Within ROM)(SG)
1	DCEKC584VXHZZ	CC	N	E	Control PWB unit(Within ROM)(TH)
2	DCEKL475CXH11	BK	N	E	LIU PWB unit(SG)
2	DCEKL422CXH03	BF	N	E	LIU PWB unit(TH)
3	GCOVA2510XHSA	BA	N	C	Flatbed cover
4	LPLTP3335XHSA	AF	N	C	Hinge,left
5	LPLTP3336XHSA	AF	N	C	Hinge,right
6	NSFTP2393XHZZ	AF	N	C	Hinge shaft
7	PCUSS2226XHZZ	AE	N	C	Flatbed cushion
8	PSHEZ3855XHZZ	AY	N	C	Back sheet
9	MSPRC3301XHZZ	AB		C	Hopper spring
10	NGERP2318XHZZ	AD		C	Pinion gear
11	PBR5-2074XHZZ	AG	N	C	Static brush
12	PGiDM2679XHSA	AF	N	C	Hopper guide,left
13	PGiDM2680XHSA	AF	N	C	Hopper guide,right
14	PHOP-2120XHSA	AQ	N	C	Hopper
16	LPLTP3342XHZZ	AE	N	C	Separate plate
17	MSPRC3505XHZZ	AD	N	C	Separate spring
18	MSPRC3506XHZZ	AF	N	C	Up spring
19	PGiDM2689XHZZ	AW	N	C	Paper guide lower
20	LPLTG3386XHZZ	AL	N	C	Separate rubber
21	LPLTP3349XHZZ	AU	N	C	Rotation plate
22	LPLTG3388XHZZ	AG	N	C	Rotation plate pad
23	PSPO-2001XHZZ	AD		C	Tray width sponge
24	CROLR2528XH51		N	C	PU roller ass'y
25	DUNTK273DXHZZ	BV	N	E	Optical unit(LSU)
26	QCNWN246CXHZZ	AL	N	C	Optical cable 1
27	QCNWN247CXHZZ	AL	N	C	Optical cable 2
28	QCNWN316CXHZZ	AG	N	C	Earth cable
29	GCABB2450XHSA	BR	N	D	Bottom cabinet
30	GLEGG2089XHZZ	AE	N	C	Leg rubber
31	LBSHP2113XHZA	AE		C	Bearing
33	LBSHP2161XHZZ	AE	N	C	Regist roller bearing
39	MSPRC3301XHZZ	AB		C	Guide spring
40	MSPRC3590XHZZ	AE	N	C	DV press spring
41	MSPRD3545XHZZ	AE	N	C	TC stopper spring
42	MSPRP3591XHZZ	AE	N	C	Regist roller spring
43	MSPRT3507XHZZ	AE	N	C	Cam spring
45	NGERH2661XHZZ	AE	N	C	Regist gear,23Z
46	NGERP2318XHZZ	AD		C	Pinion gear
47	NROLR2527XHZZ	AQ	N	C	Regist roller
49	PGiDM2677XHSA	AG	N	C	Tray back guide
50	PGiDM2687XHZZ	AE	N	C	DV press guide
51	PGiDM2688XHZZ	AE	N	C	TC stopper
52	PGiDM2694XHSA	AE	N	C	Bypass hopper guide,left
53	PGiDM2695XHSA	AE	N	C	Bypass hopper guide,right
54	PSPO-2013XHZZ	AE		C	Tray back guide sponge
55	QCNWN259CXHZZ	AG	N	C	Tray sensor cable
56	QCNWN278CXHZZ	AG	N	C	P-IN sensor cable
57	QCNWN315CXHZZ	AG	N	C	Earth cable 3
58	QSW-M2221XHZA	AL	N	C	P-IN sensor
59	QSW-M2296XHZZ	AD		C	Tray cover sensor
60	TLABM224JXHZZ	AE	N	D	Paper limit label
61	GCOVA2513XHSA	AY	N	C	Right cover
62	LANGF2869XHZZ	AN	N	C	Right cover bracket
63	LFRM-2264XHZZ	AT	N	C	Right cover frame
64	LHLDZ2295XHZZ	AE	N	C	TR roller holder,right
65	LHLDZ2296XHZZ	AE	N	C	TR roller holder,left
66	LPLTM0163GCZZ	AE		C	Discharge plate
67	MLEVP2410XHSA	AK	N	C	Release lever
68	MSPRC3522XHZZ	AD	N	C	TR spring
69	MSPRC3525XHZZ	AE	N	C	TR term spring B
70	MSPRC3527XHZZ	AD	N	C	Paper guide plate spring
71	MSPRC3576XHZZ	AE	N	C	Pinch roller spring
72	MSPRD3523XHZZ	AE	N	C	Release lever spring
73	MSPRD3548XHZZ	AE	N	C	Discharge spring B
74	MSPRP3524XHZZ	AE	N	C	TC terminal spring
75	MSPRP3534XHZZ	AF	N	C	Discharge spring A
76	NGERH2677XHZZ	AE	N	C	TR gear
77	NROLP2334XHZA	AC		C	Pinch roller
78	NROLP2530XHZZ	BD	N	C	TR roller
79	NSFTZ2402XHZZ	AK	N	C	Pinch roller shaft
80	PBR5-2075XHZZ	AE	N	C	Static brush
81	PGiDM2699XHZZ	AH	N	C	Paper guide plate
82	PGiDM2692XHSA	AQ	N	C	Bypass guide
83	QCNWN256CXHZZ	AG	N	C	Bypass PE sensor cable
84	QCNWN267CXHZZ	AN	N	C	Inter lock switch cable
85	QSW-M2221XHZA	AL	N	C	Bypass PE sensor
86	QSW-M2343XHZZ	AN	N	C	Inter lock switch
87	TCAUZ2044XHZZ	AK	N	D	Laser caution label
88	GCOVA2515XHSA	AU	N	C	Front cover
89	LANGF2870XHZZ	AG	N	C	AC cord bracket
90	LBJND2006XHZZ	AA		C	Band
91	LPLTP3346XHZZ	AZ	N	C	PWB plate
92	PGiDM2678XHZZ	AE	N	C	Right cover pivot

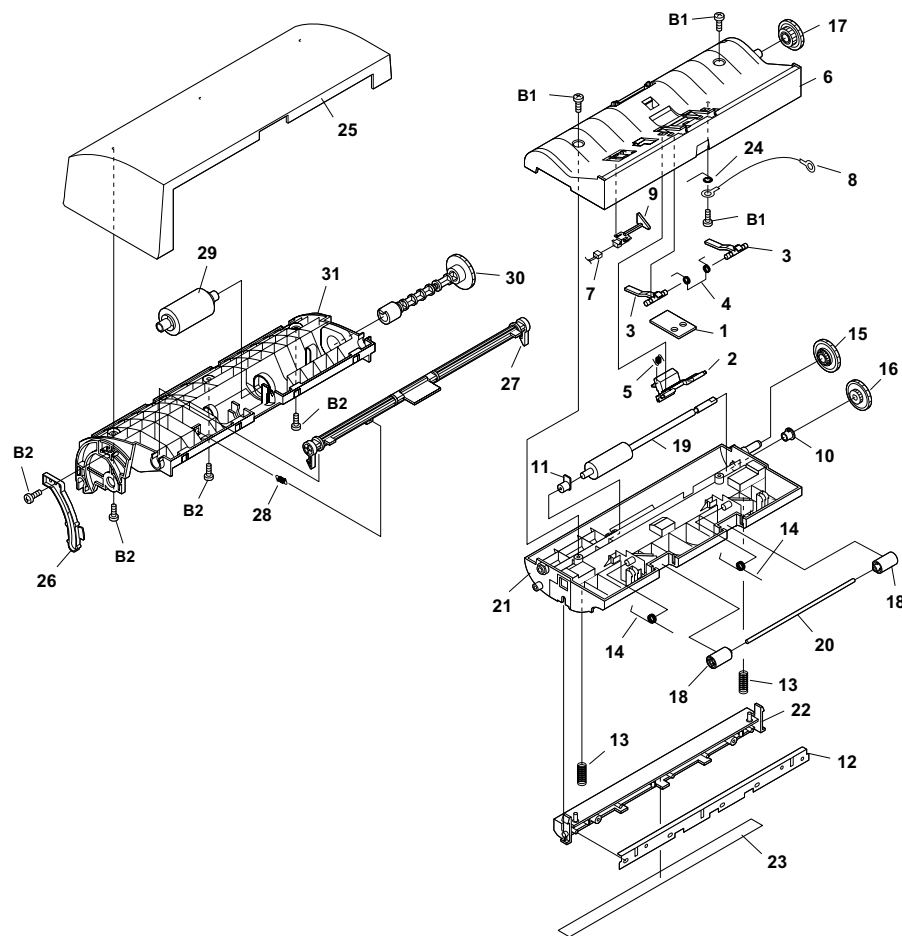
NO.	PARTS CODE	PRICE RANK	NEW MARK	PART RANK	DESCRIPTION
[1] Cabinet,etc.					
	93 PGiDM2700XHZZ	AE	N	C	Front cover pivot
△	94 QACCB2081XHZZ	BA		B	AC cord ass'y(SG)
△	94 QACCE2082XHZZ	AX		B	AC cord ass'y(TH)
	95 QCNWN261CXHZZ	AG	N	C	Earth cable
△	96 RCORF2146XHZZ	AG		B	Core
△	97 RCORF2154XHZZ	AG	N	B	Core
△	98 RDENT2206XHZZ	BK	N	E	High voltage PWB unit
△	99 RDENT2215XHZZ	BQ	N	E	Power supply PWB unit
	100 GCOVA2514XHSA	BA	N	C	Rear cover
	101 LANGJ2847XHZZ	AG	N	C	Earth plate
	102 LHLDW2310XHZZ	AE	N	C	Wire holder
	103 PSHEZ3410XHZZ	AB		C	Jack sheet
	105 PSHEP3879XHZZ	AE	N	C	Separate sheet
	106 TCAUZ2046XHZZ	AK	N	D	Drum caution label 2
	107 PSHEP3883XHZZ	AG	N	C	Cover sheet
	108 PBRs-2076XHZZ	AF	N	C	Static brush
	109 QCNWN390CXHZZ	AN	N	C	Power supply cable
△	111 RCORF2147XHZZ	AG		B	Core(SG)
	112 QCNWN392CXHZZ	AL	N	C	LIU cable(SG)
	112 QCNWN391CXHZZ	AE		C	LIU cable(TH)
	113 PGiDM2690XHSA	AY	N	C	A4 width guide,front
	114 PGiDM2691XHSA	AY	N	C	A4 width guide,rear
	115 TLABH3335XHZZ	AF	N	D	Laser class 1 label
	B1 XEBS730P10000	AC		C	Screw(3x10)
	B2 LX-BZ2205XHZZ	AE	N	C	Screw
	B3 XEBS730P08000	AC		C	Screw(3x8)
	B5 XHBS730P10000	AD		C	Screw(3x10)
	B6 XEBS720P10000	AE	N	C	Screw(2x10)
	B7 LX-BZ2321XHZZ	AE	N	C	Screw
	B8 XEBS730P14000	AD	N	C	Screw(3x14)
	B9 XEBS730P12000	AC		C	Screw(3x12)
	B10 XHBS730P08000	AB		C	Screw(3x8)
	B11 XHBS730P06000	AC		C	Screw(3x6)
	B12 LX-BZ2282XHZZ	AE	N	C	Screw
	B13 XJBS740P12000	AB	N	C	Screw(4x12)

[2] Flatbed unit



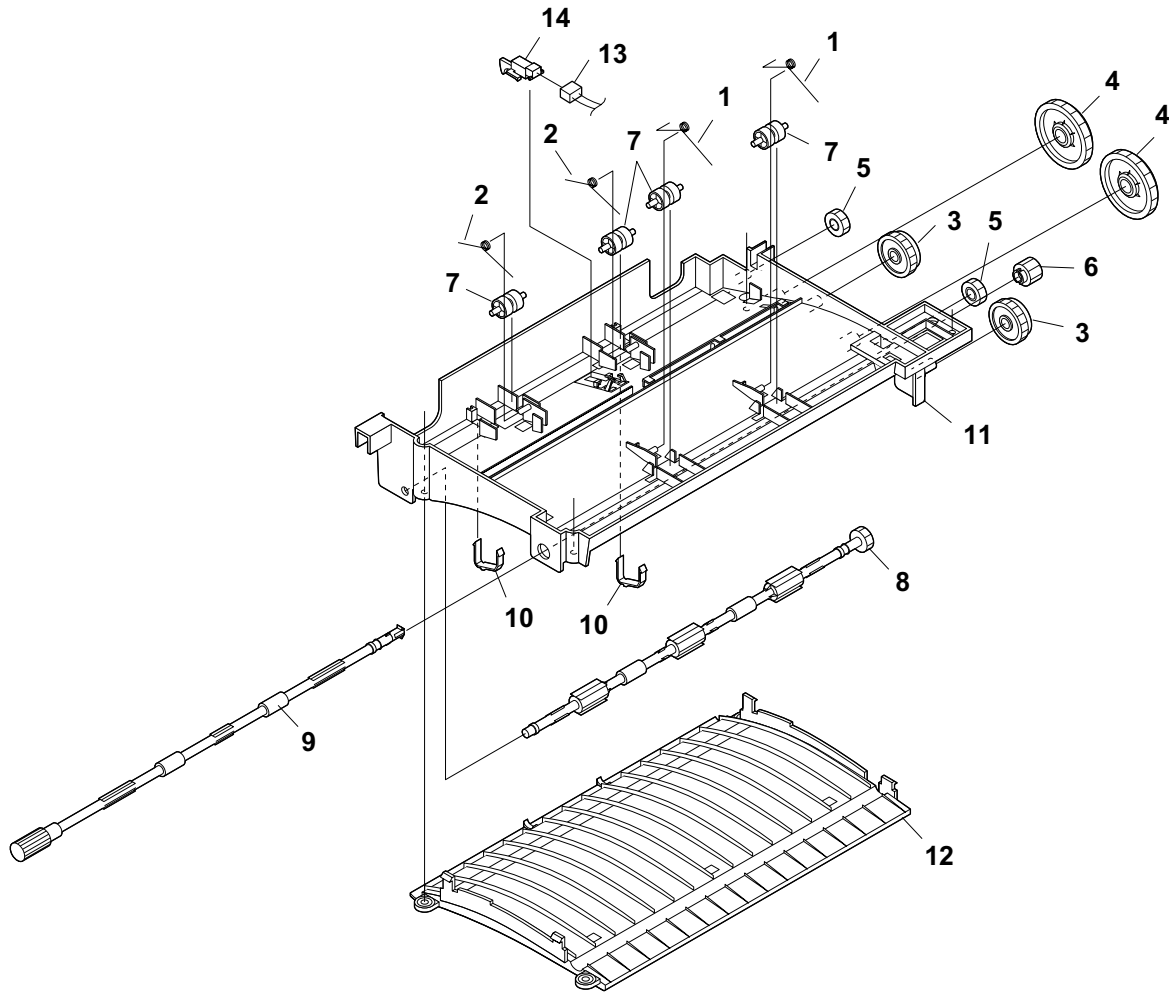
NO.	PARTS CODE	PRICE RANK	NEW MARK	PART RANK	DESCRIPTION
[2] Flatbed unit					
1	DCEKP304DXH01	BD	N	E	Operation panel PWB unit
2	RU i TZ2001XHZZ	AZ	N	E	LCD unit
3	QSW-K0005AWZZ	AC		C	Tact switch [SW]
4	GCABA2451XHSA	BB	N	C	Flatbed,upper
5	GCOVA2512XHZZ	AH	N	C	Sensor cover
6	JBTN-2483XHSA	AF	N	C	Function key
7	JBTN-2484XHSA	AL	N	C	12 key
8	JBTN-2486XHSA	AK	N	C	Mode key
9	JBTN-2487XHSA	AK	N	C	Cursor key
10	JBTN-2489XHSA	AE	N	C	Start key
11	MSPRC2568XHZZ	AE	N	C	Pinch roller spring
12	NROLP2334XHZA	AC		C	Pinch roller
13	NSFTZ2407XHZZ	AH	N	C	Pinch roller shaft

NO.	PARTS CODE	PRICE RANK	NEW MARK	PART RANK	DESCRIPTION
[2] Flatbed unit					
14	PGLSP2064XHZZ	AY	N	C	Sheet glass
15	PGLSP2065XHZZ	AQ	N	C	ADF glass
16	PSHEZ3854XHZZ	AH	N	C	Rear book sheet
17	PSHEZ3866XHZZ	AE	N	C	Blind fold sheet
18	PTPEZ2116XHZZ	AE	N	C	Book long double tape
19	PTPEZ2117XHZZ	AE	N	C	Book short double tape
20	PTPEZ2118XHZZ	AE	N	C	ADF doble tape
21	QCNWN245CXHZZ	AL	N	C	Panel cable
22	QCNWN249CXHZZ	AG	N	C	ORG sensor cable
23	QSW-Z2237XHZZ	AL	N	C	ORG sensor
24	PSEL-2043XHZZ	AE	N	C	Shield tape
25	CCNWN346CXH01	AP	N	C	Speaker ass'y
26	GCABB2452XHSA	BF	N	C	Flatbed.lower
27	LPLTP3338XHZZ	AW	N	C	Reinforce plate
28	LPLTP3339XHZZ	AE	N	C	Pulley plate
29	MLEVP2403XHSA	AG	N	C	Scanner hold lever
30	MLEVP2404XHZZ	AG	N	C	Hold lever
31	MSPRC3542XHZZ	AD	N	C	Tension spring
32	MSPRD3543XHZZ	AE	N	C	Earth spring 1
33	MSPRD3560XHZZ	AE	N	C	Speaker spring
34	MSPRD3570XHZZ	AE	N	C	Earth spring 2
35	NPLYD2088XHZZ	AC		C	Pulley
36	NSFTZ2396XHZZ	AG	N	C	Pulley shaft
37	NSFTZ2397XHZZ	AS	N	C	Guide shaft
38	PTPEZ2127XHZZ	AC	N	C	Double tape
39	QCNWN254CXHZZ	AG	N	C	Home position sensor cable
40	QSW-M2324XHZZ	AN		C	Home position sensor
41	LHLDZ2299XHZZ	AH	N	C	CIS holder
42	LHLDZ2300XHZZ	AG	N	C	Shaft holder
43	MSPRC3572XHZZ	AE	N	C	CIS spring
44	PGiDM2704XHZZ	AE	N	C	CIS guide,left
45	PGiDM2705XHZZ	AE	N	C	CIS guide,right
46	QCNWN248CXHZZ	AN	N	C	CIS cable
47	RU i T Z 2006XHZZ	BT	N	B	CIS
48	RCORF2152SCZZ	AL	N	B	Core
49	MSPRD3569XHZZ	AE	N	C	Exit roller earth spring
50	NROLR2526XHZZ	AS	N	C	Exit roller
51	NGERH2543XHZZ	AC		C	Exit roller gear
52	LBSHP2113XHZZ	AH		C	Roller bearing
53	LBSHP2136XHZZ	AC		C	Roller bearing
54	HPNLH2450XHSA	AP	N	D	Decoration panel
55	LPLTM3387XHZZ	AF	N	C	Shaft holder plate
56	PSHEZ3884XHZZ	AE	N	C	Blind fold sheet
57	RCORF2152SCZZ	AL	N	B	Core(SG)
B1	XEBS720P06000	AC		C	Screw(2x6)
B2	XEBS730P10000	AC		C	Screw(3x10)
B3	XEBS730P08000	AC		C	Screw(3x8)
B4	XJPS740P10X00	AC	N	C	Screw(4x10)
B5	XEBS730P12000	AC		C	Screw(3x12)
B6	XHBS730P06000	AC		C	Screw(3x6)
B7	LX-BZ2323XHZZ	AE	N	C	Screw(3x8)

[3] Scanner unit

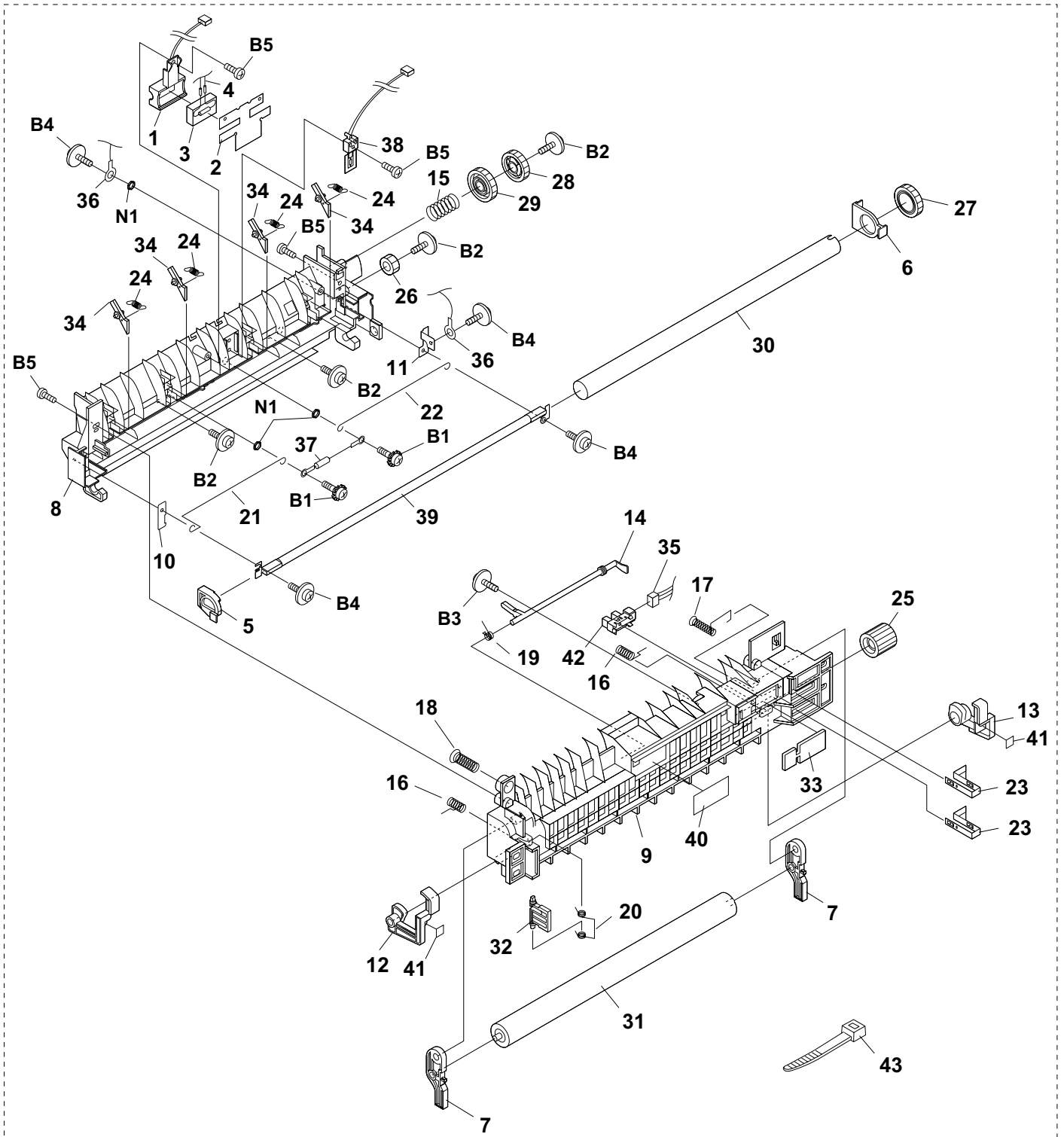
NO.	PARTS CODE	PRICE RANK	NEW MARK	PART RANK	DESCRIPTION
[3] Scanner unit					
1	LPLTG3307XHZZ	AF		C	Separate rubber
2	LPLTP2790XHZZ	AD		C	Separate plate
3	MARMP2025XHZZ	AF		C	Feed plate arm
4	MSPRD3564XHZZ	AE	N	C	Feed spring
5	MSPRT3563XHZZ	AD	N	C	Separate spring
6	PGiDM2681XHSA	AN	N	C	Guide middle upper
7	QCNWN255CXHZZ	AG	N	C	Front sensor cable
8	QCNWN260CXHZZ	AG	N	C	Earth cable C
9	QSW-Z2250XHZA	AL	N	C	Front sensor
10	LBSHP2135XHZZ	AC		C	Roller bearing
11	LBSHP2136XHZZ	AC		C	Roller bearing
12	LPLTP3363XHZZ	AH	N	C	Back guide bracket
13	MSPRC3589XHZZ	AD	N	C	Back guide spring
14	MSPRD3566XHZZ	AE	N	C	Exit pinch roller spring
15	NGERH2542XHZZ	AE	N	C	ADF gear
16	NGERH2547XHZZ	AE		C	Transfer gear,42/17Z
17	NGERH2657XHZZ	AE	N	C	Reduction gear
18	NROLP2334XHZA	AC		C	Exit pinch roller
19	NROLR2525XHZZ	AQ	N	C	Transfer roller
20	NSFTZ2406XHZZ	AH	N	C	Exit pinch roller shaft
21	PGiDM2682XHSA	AN	N	C	Guide middle lower
22	PGiDM2703XHZA	AG	N	C	Back guide
23	PSHEZ3843XHZZ	AF	N	C	Rear sheet
24	MSPRC3567XHZZ	AE	N	C	Earth spring
25	GCOVA2511XHSA	AS	N	C	Top cover
26	LSTPP2063XHZZ	AE	N	C	Stopper plate
27	MLEVP2402XHSA	AG	N	C	Release lever
28	MSPRT3565XHZZ	AD	N	C	Release lever spring
29	NROLR2333XHZZ	AP		C	Feed roller
30	NSFTP2394XHZZ	AF	N	C	Feed roller shaft
31	PGiDM2683XHSA	AQ	N	C	Guide upper
B1	XEBS730P10000	AC		C	Screw(3x10)
B2	XEBS730P08000	AC		C	Screw(3x8)

[4] Paper exit unit



NO.	PARTS CODE	PRICE RANK	NEW MARK	PART RANK	DESCRIPTION
[4] Paper exit unit					
1	MSPRD3574XHZZ	AE	N	C	Pinch roller spring 1
2	MSPRD3575XHZZ	AE	N	C	Pinch roller spring 2
3	NGERH2466XHZZ	AE		C	Idler gear,32Z
4	NGERH2602XHZZ	AH		C	Idler gear,50Z
5	NGERH2603XHZZ	AE		C	Idler gear,17Z(17Z)
6	NGERH2662XHZZ	AE	N	C	Feed roller gear,15Z
7	NROLP2332XHZA	AL	N	C	PO pinch roller
8	NROLP2420XHZZ	AM		C	Paper exit roller
9	NSFTP2400XHZZ	AS	N	C	Feed roller shaft
10	PGiDM2696XHZZ	AE	N	C	Anti curl guide
11	PGiDM2697XHZZ	AU	N	C	Paper exit guide upper
12	PGiDM2698XHZZ	AS	N	C	Paper exit guide lower
13	QCWN264CXHZZ	AG	N	C	PO sensor cable
14	QSW-Z2237XHZB	AL	N	C	PO2 sensor

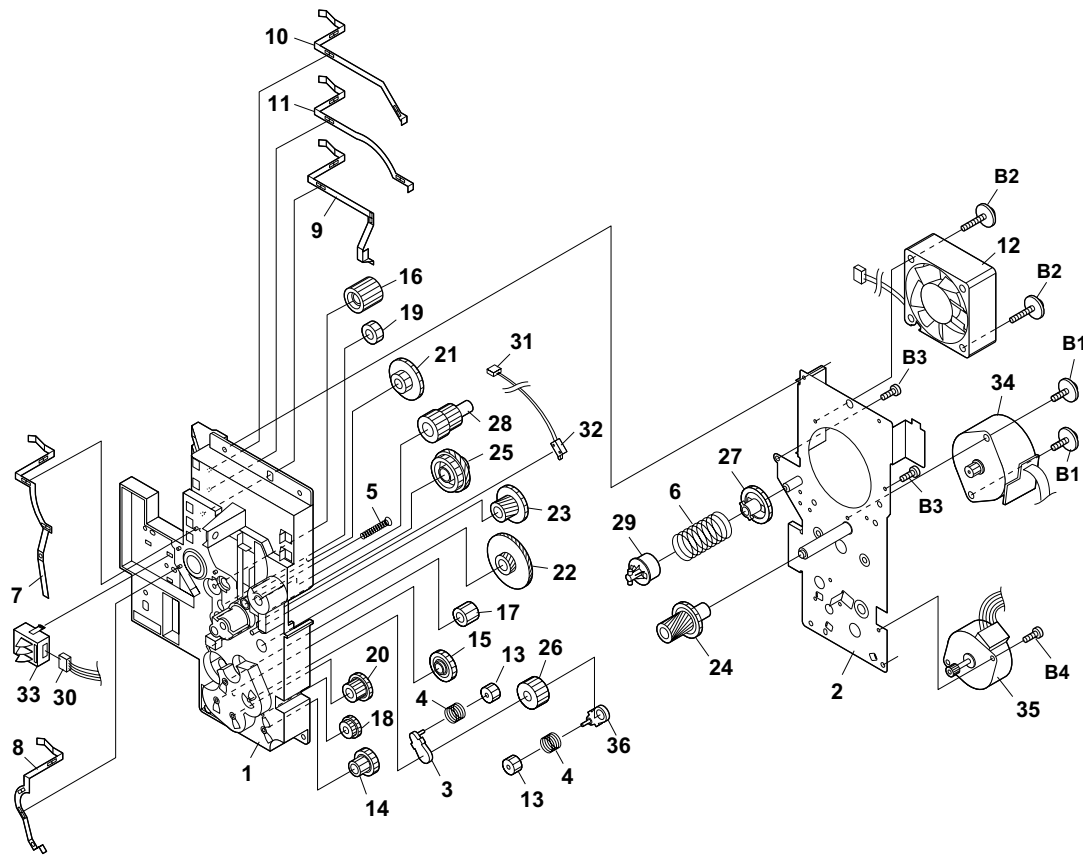
[5] Fusing unit



901

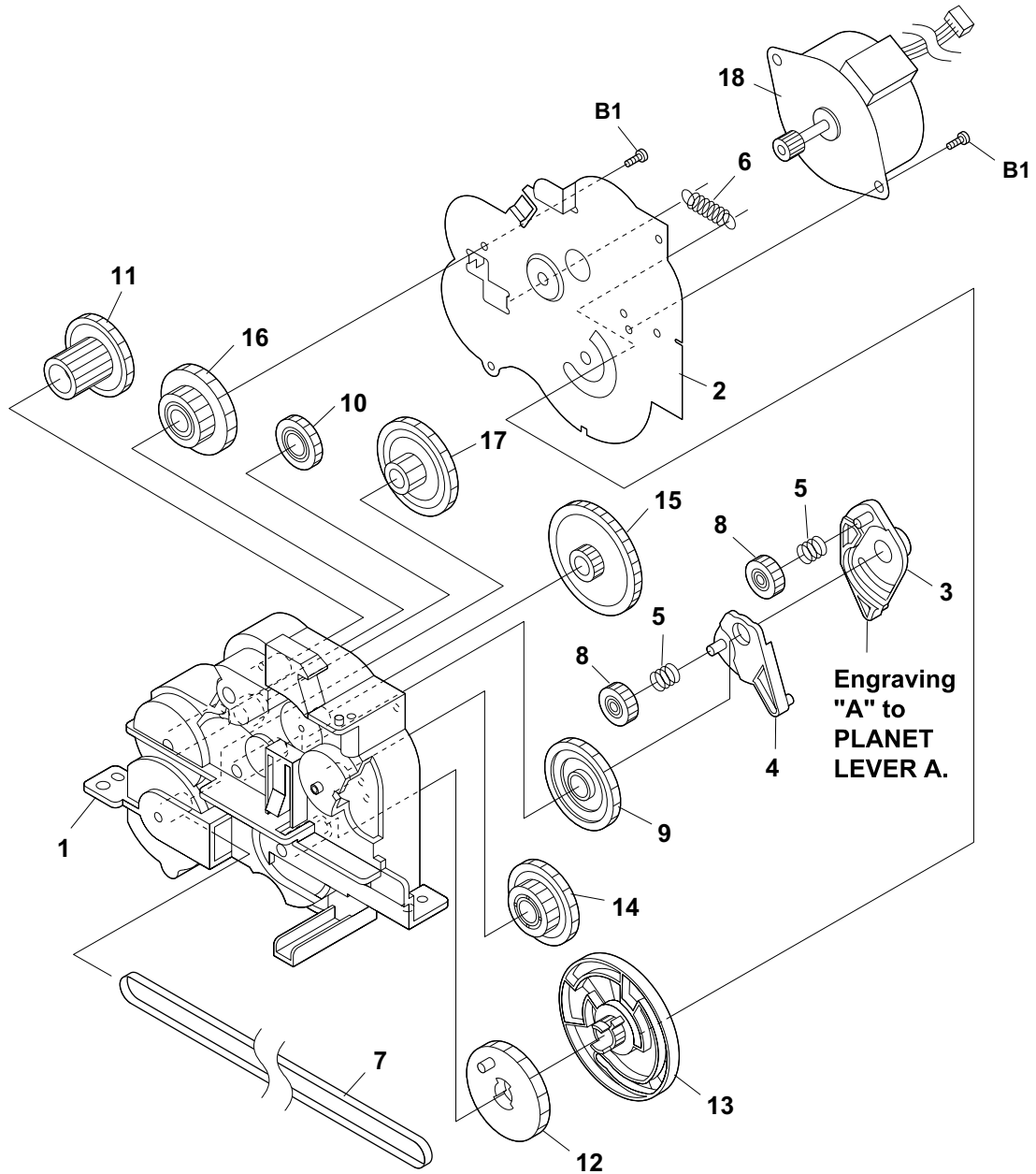
NO.	PARTS CODE	PRICE RANK	NEW MARK	PART RANK	DESCRIPTION
[5] Fusing unit					
1	LHLDZ2297XHZZ	AE	N	C	Fuse holder
2	PSHEP3853XHZZ	AG	N	C	Fuse sheet
3	PSPO-2024XHZZ	AG	N	C	Fuse sponge
4	QFS-T2020XHZZ	AT	N	A	Fuse-2
5	LBSHP2162XHZZ	AE	N	C	Heat roller bearing 1
6	LBSHP2167XHZZ	AK	N	C	Heat roller bearing 2
7	LBSHP2168XHZZ	AE	N	C	FU bearing
8	LFRM-2265XHZZ	AU	N	C	FU frame,left
9	LFRM-2266XHZZ	AV	N	C	FU frame,right
10	LPLTP3348XHZZ	AG	N	C	FU terminal
11	LPLTP3376XHZZ	AK	N	C	FU AC terminal
12	MLEVP2411XHZZ	AF	N	C	FU release lever,front
13	MLEVP2412XHZZ	AF	N	C	FU release lever,rear
14	MLEVP2413XHZZ	AF	N	C	FU sensor lever
15	MSPRC3528XHZZ	AE	N	C	Ratchet gear spring
16	MSPRC3530XHZZ	AD	N	C	FU pinch spring
17	MSPRC3531XHZZ	AE	N	C	FU earth spring
18	MSPRC3595XHZZ	AE	N	C	Right cover open spring
19	MSPRD3529XHZZ	AE	N	C	FU sensor lever spring
20	MSPRD3550XHZZ	AE	N	C	Rear cover spring
21	MSPRK3549XHZZ	AF	N	C	Fuse bar 1
22	MSPRK3590XHZZ	AE	N	C	Fuse bar 2
23	MSPRP3535XHZZ	AE	N	C	Earth spring
24	MSPRT3594XHZZ	AE	N	C	Separating pawl spring
25	NGERH2576XHZA	AF	N	C	Idler gear,21Z
26	NGERH2582XHZA	AY		C	Idler gear,15Z
27	NGERH2678XHZZ	AF	N	C	Heat roller gear
28	NGERH2679XHZZ	AE	N	C	Idler gear,27Z
29	NGERH2680XHZZ	AE	N	C	Idler gear,28Z
30	NROLP2536XHZZ	BD	N	C	Heat roller
31	NROLR2539XHZZ	BD	N	C	FU roller
32	PGiDM2702XHZZ	AE	N	C	Rear cover
33	PSHEZ3864XHZZ	AG	N	C	Photo sheet
34	PTME-2081XHZZ	AF	N	C	Separating pawl
35	QCNWN262CXHZZ	AG	N	C	Photo sensor cable
36	QCNWN266CXHZZ	AK	N	C	FU AC cord
37	QFS-T2019XHZZ	AQ	N	A	Fuse-1
38	RDTCT2001XHZZ	AV	N	B	Thermistor
39	RLMPU2016XHZZ	BE	N	B	Heater
40	TCAUH2041XHZZ	AG	N	D	Heat caution
41	TLABH351JXHZZ	AD	N	D	FU release label
42	VHPSG2482A+-1	AN	N	B	PO1 sensor
43	LBNDJ2006XHZZ	AA		C	Band
B1	LX-BZ0956XHZZ	AE	N	C	Screw
B2	LX-BZ2138XHZZ	AD		C	Screw
B3	LX-BZ2222XHZZ	AD		C	Screw
B4	XBPS730P08KS0	AB	N	C	Screw(3x8)
B5	XEBS730P10000	AC		C	Screw(3x10)
N1	XNGS730-18000	AD	N	C	Nut(M3)
	(Unit)				
901	CFRM-2265XH02	BV	N	E	Fusing unit

[6] Printer drive unit



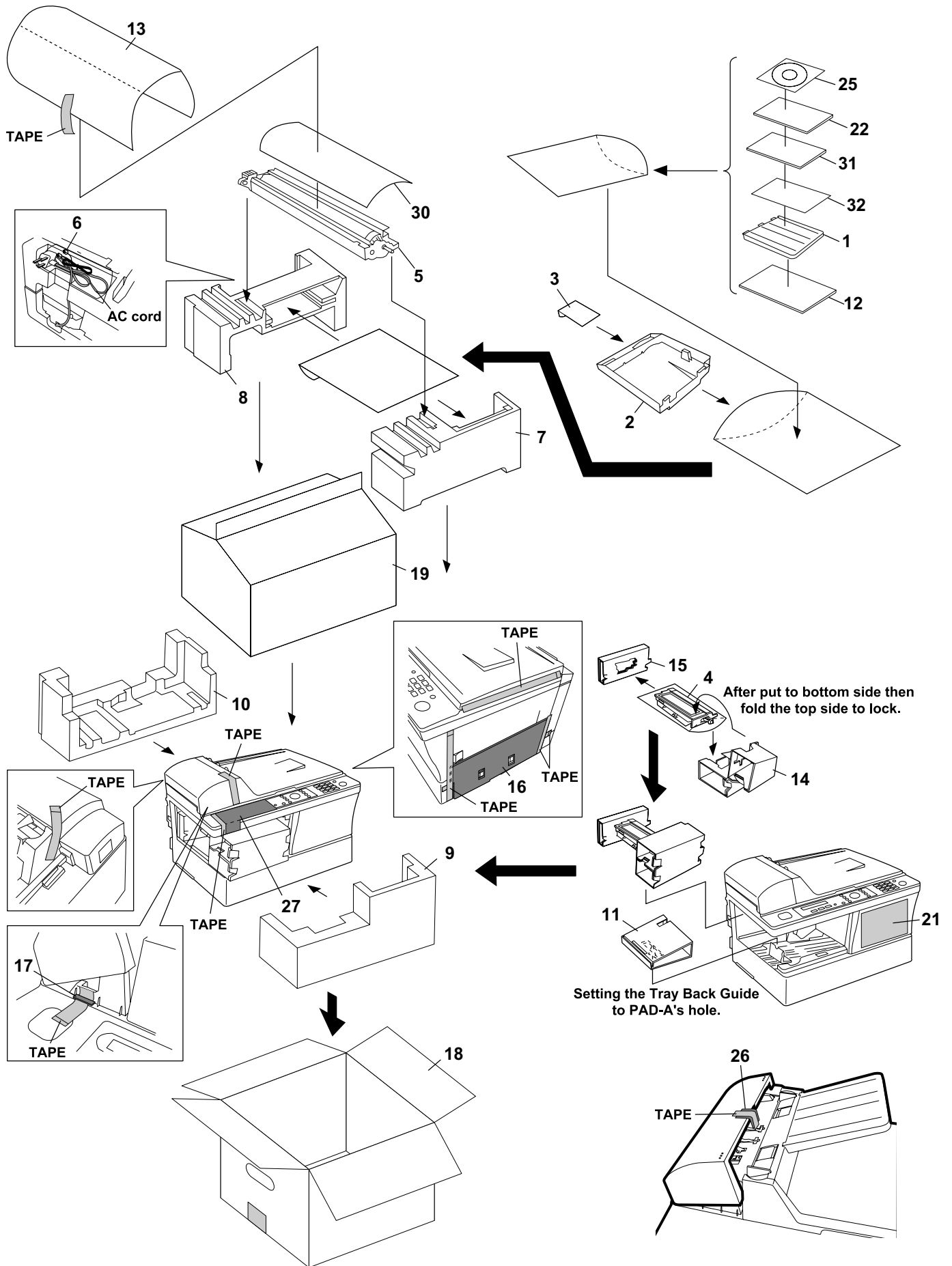
NO.	PARTS CODE	PRICE RANK	NEW MARK	PART RANK	DESCRIPTION
[6] Printer drive unit					
1	LFRM-2263XHZZ	AW	N	C	Printer drive frame
2	LPLTP3343XHZZ	AV	N	C	Printer drive bracket
3	MLEVP2409XHZZ	AE	N	C	Planet lever A
4	MSPRC2735XHZZ	AC	N	C	Planet gear spring
5	MSPRC3519XHZZ	AE	N	C	OPC earth spring
6	MSPRC3547XHZZ	AE	N	C	Coupling spring
7	MSPRP3514XHZZ	AG	N	C	DVE-TE spring
8	MSPRP3515XHZZ	AG	N	C	SROL-T spring
9	MSPRP3516XHZZ	AG	N	C	MC-TER spring
10	MSPRP3517XHZZ	AG	N	C	Earth spring
11	MSPRP3518XHZZ	AH	N	C	TR-TER spring
12	NFANP2005XHZZ	AY	N	B	Fan
13	NGERH2458XHZZ	AB	N	C	Planet gear
14	NGERH2480XHZZ	AB	N	C	Reduction gear,17/28Z
15	NGERH2700XHZZ	AF	N	C	Reduction gear,17/23Z
16	NGERH2576XHZZ	AF	N	C	Idler gear,21Z
17	NGERH2577XHZZ	AD	N	C	Idler gear,20Z
18	NGERH2581XHZZ	AC	N	C	Idler gear,25Z
19	NGERH2699XHZZ	AL	N	C	Idler gear
20	NGERH2621XHZZ	AF	N	C	Reduction gear,15/30Z
21	NGERH2663XHZZ	AE	N	C	Reduction gear,15/52Z
22	NGERH2664XHZZ	AE	N	C	Reduction gear,15/70Z
23	NGERH2697XHZZ	AG	N	C	Jgma gear,15/28Z
24	NGERH2698XHZZ	AG	N	C	Jgma gear,15/28Z
25	NGERH2667XHZZ	AE	N	C	Reduction gear,29/32Z
26	NGERH2670XHZZ	AE	N	C	Sun gear
27	NGERH2671XHZZ	AE	N	C	Coupling gear
28	NGERH2673XHZZ	AE	N	C	Reduction gear,20/18Z
29	NSFTP2401XHZZ	AE	N	C	Coupling shaft
30	QCNWN297CXHZZ	AH	N	C	Toner sensor cable
31	QCNWN317CXHZZ	AE	N	C	Roller switch cable
32	QSW-F2224SCZZ	AE	N	C	Roller switch
33	QSW-M2342XHZZ	AV	N	C	Toner sensor
34	RMOTS2199XHZZ	BC	N	B	Main motor
35	RMOTS2202XHZZ	AY	N	B	Pickup motor
36	MLEVP2409XHZZ	AL	N	C	Planet lever B
B1	LX-BZ2241XHZZ	AD	N	C	Screw
B2	LX-BZ2314XHZZ	AD	N	C	Screw
B3	XEBS730P12000	AC	N	C	Screw(3x12)
B4	XHBS730P06000	AC	N	C	Screw(3x6)

[7] Drive unit



NO.	PARTS CODE	PRICE RANK	NEW MARK	PART RANK	DESCRIPTION
[7] Drive unit					
1	LFRM-2262XHZZ	AN	N	C	Drive frame
2	LPLTP3340XHZZ	AK	N	C	Motor plate
3	MLEVP2405XHZA	AF	N	C	Planet lever A
4	MLEVP2406XHZZ	AE	N	C	Planet lever B
5	MSPRC2735XHZZ	AC	N	C	Planet spring
6	MSPRT3571XHZZ	AD	N	C	Hold spring
7	NBLTK2067XHZZ	AS	N	C	Drive belt
8	NGERH2278XHZZ	AC	N	C	Planet gear
9	NGERH2517XHZA	AF	N	C	Reduction gear
10	NGERH2541XHZZ	AE	N	C	Reduction gear,25Z
11	NGERH2573XHZZ	AD	N	C	Reduction gear,20/40Z
12	NGERH2655XHZZ	AE	N	C	System gear A
13	NGERH2656XHZZ	AE	N	C	System gear B
14	NGERH2657XHZZ	AE	N	C	Reduction gear,42/25Z
15	NGERH2658XHZZ	AE	N	C	Reduction gear,55/15Z
16	NGERH2693XHZZ	AE	N	C	Reduction gear,27/44Z
17	NPLYD2099XHZZ	AE	N	C	Pulley reduction gear,48Z
18	RMOTZ2201XHZZ	AW	N	B	Scanner motor
B1	XEBS730P10000	AC	N	C	Screw(3x10)

[8] Packing material & Accessories



NO.	PARTS CODE	PRICE RANK	NEW MARK	PART RANK	DESCRIPTION	
[8] Packing material & Accessories						
1	PHOP-2121XHSA	AV	N	C	Document feeder tray	
2	LPLTP3344XHSA	AY	N	C	Output tray	
3	LPLTP3345XHSA	AK	N	C	Output sub tray	
4	DUNT-291DXH20	BW	N	S	Toner cartridge(Initial starter cartridge)(SG)	
4	DUNT-291DXH19	BW	N	S	Toner cartridge(Initial starter cartridge)(TH)	
5	DUNT-292DXH20	BV	N	S	Drum cartridge(Initial starter cartridge)(SG)	
5	DUNT-292DXH19	BV	N	S	Drum cartridge(Initial starter cartridge)(TH)	
6	QCNWG370BXHZZ	AL		C	Telephone line cord	
7	SPAKA279GXHZZ	AQ	N	D	Packing add.,top,front	
8	SPAKA280GXHZZ	AS	N	D	Packing add.,top,rear	
9	SPAKA281GXHZZ	AQ	N	D	Packing add.,bottom,front	
10	SPAKA282GXHZZ	AQ	N	D	Packing add.,bottom,rear	
11	SPAKA286GXHZZ	AG	N	D	Pad A	
12	SPAKA429GXHZZ	AE	N	D	Protection B	
13	SPAKA428GXHZZ	AE	N	D	Protection A	
14	SPAKA356GXHZZ	AG	N	D	Pad,toner cartridge,left	
15	SPAKA357GXHZZ	AG	N	D	Pad,toner cartridge,right	
16	SPAKA373GXHZZ	AD	N	D	Pad D	
17	SPAKA374GXHZZ	AD	N	D	Spacer	
18	SPAKC452GXHTZ	BB	N	D	Packing case(SG)	
18	SPAKC471GXHTA	BB	N	D	Packing case(TH)	
19	SPAKP285GXHZZ	AK	N	D	Unit cover	
21	TCADZ3789XHZZ	AL	N	D	Pop card(SG)	
22	TCADH3810XHZA	AG	N	D	Setup guide(English)	
25	UDSKA2051XHZC		N	D	CD ROM	
26	SPAKA386GXHZZ	AE	N	D	Release pad	
27	PSHEZ3880XHZZ	AN	N	D	Release lever caution sheet 2	
30	PSHEZ3885XHZZ	AG	N	C	Shading sheet	
31	TCADH3814XHZZ	AG	N	D	Setup guide(TH for Thai)	
32	TGANT2206XHZZ	AN		D	Warranty card(TH)	
[9] Control PWB unit(AM-400SG)						
1	UBATL2232XHZZ	AF	N	B	Battery(CR2032T23)	[BAT1]
2	VRS-CG1JF330J	AC	N	C	Block resistor(33Ω x4)	[BR1]
3	VRS-CG1JF330J	AC	N	C	Block resistor(33Ω x4)	[BR2]
4	VRS-CG1JF330J	AC	N	C	Block resistor(33Ω x4)	[BR3]
5	VRS-CG1JF330J	AC	N	C	Block resistor(33Ω x4)	[BR4]
6	VRS-CG1JF330J	AC	N	C	Block resistor(33Ω x4)	[BR5]
7	VRS-CG1JF271J	AD	N	C	Block resistor(270Ω x4)	[BR6]
8	VRS-CG1JF330J	AC	N	C	Block resistor(33Ω x4)	[BR7]
9	VRS-CG1JF330J	AC	N	C	Block resistor(33Ω x4)	[BR8]
10	VRS-CG1JF271J	AD	N	C	Block resistor(270Ω x4)	[BR9]
11	VRS-CG1JF271J	AD	N	C	Block resistor(270Ω x4)	[BR10]
12	VRS-CG1JF330J	AC	N	C	Block resistor(33Ω x4)	[BR11]
13	VRS-CG1JF330J	AC	N	C	Block resistor(33Ω x4)	[BR12]
14	VRS-CG1JF330J	AC	N	C	Block resistor(33Ω x4)	[BR13]
15	VRS-CG1JF330J	AC	N	C	Block resistor(33Ω x4)	[BR14]
16	VRS-CG1JF221J	AC	N	C	Block resistor(220Ω x4)	[BR15]
17	VRS-CG1JF221J	AC	N	C	Block resistor(220Ω x4)	[BR16]
18	VCKYCZ1CB103K	AA		C	Capacitor(16VV 0.01μ F)	[C3]
19	VCCCCZ1EH180J	AA		C	Capacitor(25VV 18PF)	[C4]
20	VCCCCZ1EH180J	AA		C	Capacitor(25VV 18PF)	[C5]
21	VCKYCZ1CF104Z	AB		C	Capacitor(16VV 0.1μ F)	[C8]
22	VCCCCZ1EH180J	AA		C	Capacitor(25VV 18PF)	[C11]
23	VCCCCZ1EH180J	AA		C	Capacitor(25VV 18PF)	[C12]
24	VCKYCZ1CB103K	AA		C	Capacitor(16VV 0.01μ F)	[C13]
25	VCKYCZ1CF104Z	AB		C	Capacitor(16VV 0.1μ F)	[C14]
26	VCEAEA1CW106M	AC		C	Capacitor(16VV 10μ F)	[C15]
27	VCKYCZ1CF104Z	AB		C	Capacitor(16VV 0.1μ F)	[C17]
28	VCKYCZ1CF104Z	AB		C	Capacitor(16VV 0.1μ F)	[C19]
29	VCKYCZ1CF104Z	AB		C	Capacitor(16VV 0.1μ F)	[C20]
30	VCCCCZ1EH270J	AA		C	Capacitor(25VV 27PF)	[C21]
31	VCEAEA1CW106M	AC		C	Capacitor(16VV 10μ F)	[C22]
32	VCCCCZ1EH330J	AC		C	Capacitor(25VV 33PF)	[C23]
33	VCKYCZ1CB103K	AA		C	Capacitor(16VV 0.01μ F)	[C24]
34	VCKYCZ1CF104Z	AB		C	Capacitor(16VV 0.1μ F)	[C25]
35	VCEAEA1CW106M	AC		C	Capacitor(16VV 10μ F)	[C26]
36	VCKYCZ1CF104Z	AB		C	Capacitor(16VV 0.1μ F)	[C27]
37	VCEAEA1CW106M	AC		C	Capacitor(16VV 10μ F)	[C28]
38	VCKYCZ1CF104Z	AB		C	Capacitor(16VV 0.1μ F)	[C29]
39	VCKYCZ1CF104Z	AB		C	Capacitor(16VV 0.1μ F)	[C30]
40	VCKYCZ1CF104Z	AB		C	Capacitor(16VV 0.1μ F)	[C31]
41	VCKYCZ0JF105Z	AC		C	Capacitor(6.3VV 1μ F)	[C34]
42	VCKYCZ0JF105Z	AC		C	Capacitor(6.3VV 1μ F)	[C35]
43	VCKYCZ0JF105Z	AC		C	Capacitor(6.3VV 1μ F)	[C36]
44	VCKYCZ0JF105Z	AC		C	Capacitor(6.3VV 1μ F)	[C37]
45	VCKYCZ0JF105Z	AC		C	Capacitor(6.3VV 1μ F)	[C38]
46	VCKYCZ0JF105Z	AC		C	Capacitor(6.3VV 1μ F)	[C39]
47	VCKYCZ0JF105Z	AC		C	Capacitor(6.3VV 1μ F)	[C40]
48	VCKYCZ0JF105Z	AC		C	Capacitor(6.3VV 1μ F)	[C41]
49	VCKYCZ0JF105Z	AC		C	Capacitor(6.3VV 1μ F)	[C42]
50	VCKYCZ0JF105Z	AC		C	Capacitor(6.3VV 1μ F)	[C43]
51	VCKYCZ0JF105Z	AC		C	Capacitor(6.3VV 1μ F)	[C44]
52	VCKYCZ0JF105Z	AC		C	Capacitor(6.3VV 1μ F)	[C45]

NO.	PARTS CODE	PRICE RANK	NEW MARK	PART RANK	DESCRIPTION
[9] Control PWB unit(AM-400SG)					
53	VCKYCZ0JF105Z	AC		C	Capacitor(6.3WV 1μ F) [C46]
54	VCKYCZ0JF105Z	AC		C	Capacitor(6.3WV 1μ F) [C47]
55	VCKYCZ0JF105Z	AC		C	Capacitor(6.3WV 1μ F) [C48]
56	VCKYCZ0JF105Z	AC		C	Capacitor(6.3WV 1μ F) [C49]
57	VCKYCZ0JF105Z	AC		C	Capacitor(6.3WV 1μ F) [C50]
58	VCKYCZ0JF105Z	AC		C	Capacitor(6.3WV 1μ F) [C51]
59	VCKYCZ1CB103K	AA		C	Capacitor(16WV 0.01μ F) [C52]
60	VCKYCY1AB225K	AB		C	Capacitor(10WV 2.2μ F) [C53]
61	VCEAGA1CW107M	AC		C	Capacitor(16WV 100μ F) [C54]
62	VCEAGA1CW476M	AB		C	Capacitor(16WV 47μ F) [C55]
63	VCKYCZ0JF105Z	AC		C	Capacitor(6.3WV 1μ F) [C56]
64	VCKYCZ0JF105Z	AC		C	Capacitor(6.3WV 1μ F) [C57]
65	VCKYCZ0JF105Z	AC		C	Capacitor(6.3WV 1μ F) [C58]
66	VCKYCZ0JF105Z	AC		C	Capacitor(6.3WV 1μ F) [C59]
67	VCKYCZ0JF105Z	AC		C	Capacitor(6.3WV 1μ F) [C60]
68	VCKYCZ0JF105Z	AC		C	Capacitor(6.3WV 1μ F) [C61]
69	VCKYCZ0JF105Z	AC		C	Capacitor(6.3WV 1μ F) [C62]
70	VCKYCZ0JF105Z	AC		C	Capacitor(6.3WV 1μ F) [C63]
71	VCKYCZ0JF105Z	AC		C	Capacitor(6.3WV 1μ F) [C64]
72	VCKYCZ0JF105Z	AC		C	Capacitor(6.3WV 1μ F) [C65]
73	VCKYCZ0JF105Z	AC		C	Capacitor(6.3WV 1μ F) [C66]
74	VCKYCZ0JF105Z	AC		C	Capacitor(6.3WV 1μ F) [C67]
75	VCKYCZ0JF105Z	AC		C	Capacitor(6.3WV 1μ F) [C68]
76	VCKYCZ0JF105Z	AC		C	Capacitor(6.3WV 1μ F) [C69]
77	VCKYCZ0JF105Z	AC		C	Capacitor(6.3WV 1μ F) [C70]
78	VCKYCY1AF105Z	AC		C	Capacitor(10WV 1μ F) [C71]
79	VCKYCZ1CF104Z	AB		C	Capacitor(16WV 0.1μ F) [C73]
80	VCKYCZ1CF104Z	AB		C	Capacitor(16WV 0.1μ F) [C74]
81	VCKYCZ1EB102K	AA		C	Capacitor(25WV 1000PF) [C75]
82	VCKYCZ1CF104Z	AB		C	Capacitor(16WV 0.1μ F) [C76]
83	VCKYCY1AF105Z	AC		C	Capacitor(10WV 1μ F) [C77]
84	VCKYCY1AF105Z	AC		C	Capacitor(10WV 1μ F) [C78]
85	VCKYCZ1CF104Z	AB		C	Capacitor(16WV 0.1μ F) [C79]
86	VCKYCZ1CF104Z	AB		C	Capacitor(16WV 0.1μ F) [C80]
87	VCEAGA1CW476M	AB		C	Capacitor(16WV 47μ F) [C81]
88	VCKYCY1AF105Z	AC		C	Capacitor(10WV 1μ F) [C82]
89	VCKYCY1AF105Z	AC		C	Capacitor(10WV 1μ F) [C83]
90	VCCCCZ1EH271J	AA		C	Capacitor(25WV 270PF) [C84]
91	VCCCCZ1EH271J	AA		C	Capacitor(25WV 270PF) [C85]
92	VCCCCZ1EH271J	AA		C	Capacitor(25WV 270PF) [C86]
93	VCCCCZ1EH271J	AA		C	Capacitor(25WV 270PF) [C87]
94	VCCCCZ1EH271J	AA		C	Capacitor(25WV 270PF) [C88]
95	VCCCCZ1EH271J	AA		C	Capacitor(25WV 270PF) [C89]
96	VCCCCZ1EH271J	AA		C	Capacitor(25WV 270PF) [C90]
97	VCKYCZ1CF104Z	AB		C	Capacitor(16WV 0.1μ F) [C91]
98	VCCCCZ1EH271J	AA		C	Capacitor(25WV 270PF) [C92]
99	VCCCCZ1EH271J	AA		C	Capacitor(25WV 270PF) [C93]
100	VCCCCZ1EH101J	AA		C	Capacitor(25WV 100PF) [C94]
101	VCCCCZ1EH101J	AA		C	Capacitor(25WV 100PF) [C95]
102	VCCCCZ1EH101J	AA		C	Capacitor(25WV 100PF) [C96]
103	VCCCCZ1EH101J	AA		C	Capacitor(25WV 100PF) [C97]
104	VCKYCZ1CF104Z	AB		C	Capacitor(16WV 0.1μ F) [C99]
105	VCKYCZ1EB102K	AA		C	Capacitor(25WV 1000PF) [C110]
106	VCKYCZ1EB102K	AA		C	Capacitor(25WV 1000PF) [C111]
107	VCKYCZ1EB102K	AA		C	Capacitor(25WV 1000PF) [C113]
108	VCKYCZ1EB102K	AA		C	Capacitor(25WV 1000PF) [C114]
109	VCKYCZ1EB472K	AA		C	Capacitor(25WV 4700PF) [C116]
110	VCKYCZ1CF104Z	AB		C	Capacitor(16WV 0.1μ F) [C117]
111	VCKYCZ1EB102K	AA		C	Capacitor(25WV 1000PF) [C118]
112	VCKYCY1HB472K	AA		C	Capacitor(50WV 4700PF) [C119]
113	VCKYCY1HB472K	AA		C	Capacitor(50WV 4700PF) [C120]
114	VCKYCY1HB472K	AA		C	Capacitor(50WV 4700PF) [C121]
115	VCKYCY1HB472K	AA		C	Capacitor(50WV 4700PF) [C122]
116	VCEAGA1HW107M	AA		C	Capacitor(50WV 100μ F) [C124]
117	VCKYCZ1EB102K	AA		C	Capacitor(25WV 1000PF) [C125]
118	VCKYCZ0JF105Z	AC		C	Capacitor(6.3WV 1μ F) [C126]
119	VCKYCZ1CF104Z	AB		C	Capacitor(16WV 0.1μ F) [C127]
120	VCKYCZ1EB102K	AA		C	Capacitor(25WV 1000PF) [C128]
121	VCKYCZ1HB331K	AA		C	Capacitor(50WV 330PF) [C129]
122	VCKYCZ1CF104Z	AB		C	Capacitor(16WV 0.1μ F) [C130]
123	VCKYCZ1CF104Z	AB		C	Capacitor(16WV 0.1μ F) [C131]
124	VCKYCZ1AB104K	AC		C	Capacitor(10WV 0.1μ F) [C132]
125	VCKYCZ1CF104Z	AB		C	Capacitor(16WV 0.1μ F) [C133]
126	VCKYCZ1AB104K	AC		C	Capacitor(10WV 0.1μ F) [C134]
127	VCKYCZ1AB104K	AC		C	Capacitor(10WV 0.1μ F) [C135]
128	VCKYCZ1CF104Z	AB		C	Capacitor(16WV 0.1μ F) [C136]
129	VCKYCZ1CF104Z	AB		C	Capacitor(16WV 0.1μ F) [C137]
130	VCKYCZ1CF104Z	AB		C	Capacitor(16WV 0.1μ F) [C138]
131	VCKYCZ1CF104Z	AB		C	Capacitor(16WV 0.1μ F) [C139]
132	VCKYCZ1CF104Z	AB		C	Capacitor(16WV 0.1μ F) [C140]
133	VCKYCZ1CF104Z	AB		C	Capacitor(16WV 0.1μ F) [C141]
134	VCKYCZ1CF104Z	AB		C	Capacitor(16WV 0.1μ F) [C142]
135	VCEAGA1CW476M	AB		C	Capacitor(16WV 47μ F) [C143]
136	VCEAEA1EW475M	AA		C	Capacitor(25WV 4.7μ F) [C144]
137	VCEAEA1HW105M	AC		C	Capacitor(50WV 1μ F) [C145]

NO.	PARTS CODE	PRICE RANK	NEW MARK	PART RANK	DESCRIPTION	
[9] Control PWB unit(AM-400SG)						
138	VCKYCZ1EB102K	AA		C	Capacitor(25WV 1000PF)	[C148]
139	VCEAGA1HW226M	AB		C	Capacitor(50WV 22μ F)	[C149]
140	VCKYCZ1CF104Z	AB		C	Capacitor(16WV 0.1μ F)	[C150]
141	VCEAGA1HW226M	AB		C	Capacitor(50WV 22μ F)	[C151]
142	VCKYCZ1CF104Z	AB		C	Capacitor(16WV 0.1μ F)	[C152]
143	VCKYCZ1CF104Z	AB		C	Capacitor(16WV 0.1μ F)	[C153]
144	VCKYCZ1CB103K	AA		C	Capacitor(16WV 0.01μ F)	[C155]
145	VCKYCZ1EB102K	AA		C	Capacitor(25WV 1000PF)	[C156]
146	VCCCCZ1EH221J	AB		C	Capacitor(25WV 220PF)	[C157]
147	VCKYCZ1HB331K	AA		C	Capacitor(50WV 330PF)	[C158]
148	VCKYCY1AB105K	AB		C	Capacitor(10WV 1μ F)	[C159]
149	VCCCCZ1EH221J	AB		C	Capacitor(25WV 220PF)	[C160]
150	VCKYCY1AB105K	AB		C	Capacitor(10WV 1μ F)	[C161]
151	VCKYCY1AB105K	AB		C	Capacitor(10WV 1μ F)	[C162]
152	VCKYCZ1EB222K	AB		C	Capacitor(25WV 2200PF)	[C164]
153	VCKYCZ1EB222K	AB		C	Capacitor(25WV 2200PF)	[C165]
154	VCKYCZ1CF104Z	AB		C	Capacitor(16WV 0.1μ F)	[C166]
155	VCEAEA1CW106M	AC		C	Capacitor(16WV 10μ F)	[C167]
156	VCCCCZ1EH221J	AB		C	Capacitor(25WV 220PF)	[C168]
157	VCEAEA1CW106M	AC		C	Capacitor(16WV 10μ F)	[C169]
158	VCKYCY1AF105Z	AC		C	Capacitor(10WV 1μ F)	[C170]
159	VCKYCZ1CF104Z	AB		C	Capacitor(16WV 0.1μ F)	[C171]
160	VCEAEA1CW106M	AC		C	Capacitor(16WV 10μ F)	[C172]
161	VCKYCZ1EB471K	AD		C	Capacitor(25WV 470PF)	[C173]
162	VCCCCZ1EH221J	AB		C	Capacitor(25WV 220PF)	[C174]
163	VRS-CY1JB000J	AA		C	Resistor(1/16W 0Ω ± 5%)	[C175]
164	VCCCCZ1EH470J	AA		C	Capacitor(25WV 47PF)	[C176]
165	VCCCCZ1HH8R0D	AA		C	Capacitor(50WV 8.0PF)	[C177]
166	VCKYCY1HF104Z	AA		C	Capacitor(50WV 0.1μ F)	[C178]
167	VCKYCZ1CF104Z	AB		C	Capacitor(16WV 0.1μ F)	[C180]
168	VCEAEA1CW106M	AC		C	Capacitor(16WV 10μ F)	[C181]
169	VCKYCY1AB105K	AB		C	Capacitor(10WV 1μ F)	[C182]
170	VCCCCZ1EH221J	AB		C	Capacitor(25WV 220PF)	[C183]
171	VCCCCZ1EH221J	AB		C	Capacitor(25WV 220PF)	[C185]
172	VCEAGA1EW107M	AB		C	Capacitor(25WV 100μ F)	[C187]
173	VCKYCZ1CF104Z	AB		C	Capacitor(16WV 0.1μ F)	[C188]
174	VCKYCZ1EB102K	AA		C	Capacitor(25WV 1000PF)	[C190]
175	VCKYCZ1EB102K	AA		C	Capacitor(25WV 1000PF)	[C191]
176	VCKYCZ1EB471K	AD		C	Capacitor(25WV 470PF)	[C192]
177	VCKYCZ1EB471K	AD		C	Capacitor(25WV 470PF)	[C193]
178	VCKYCZ1EB222K	AB		C	Capacitor(25WV 2200PF)	[C194]
179	VCKYCZ1EB222K	AB		C	Capacitor(25WV 2200PF)	[C195]
180	VCCCCZ1EH150J	AC		C	Capacitor(25WV 15PF)	[C196]
181	VCCCCZ1EH150J	AC		C	Capacitor(25WV 15PF)	[C197]
182	VCKYCZ1CF104Z	AB		C	Capacitor(16WV 0.1μ F)	[C198]
183	VCKYCZ1CF104Z	AB		C	Capacitor(16WV 0.1μ F)	[C199]
184	VCKYCZ1CF104Z	AB		C	Capacitor(16WV 0.1μ F)	[C200]
185	VCKYCY1HF104Z	AA		C	Capacitor(50WV 0.1μ F)	[C202]
186	VCKYCZ1CF104Z	AB		C	Capacitor(16WV 0.1μ F)	[C203]
187	VCKYCZ1CF104Z	AB		C	Capacitor(16WV 0.1μ F)	[C204]
188	VCKYCZ1CF104Z	AB		C	Capacitor(16WV 0.1μ F)	[C205]
189	VCEAEA1CW106M	AC		C	Capacitor(16WV 10μ F)	[C206]
190	VCKYCZ1CF104Z	AB		C	Capacitor(16WV 0.1μ F)	[C207]
191	VCCCCZ1EH330J	AC		C	Capacitor(25WV 33PF)	[C208]
192	VCCCCZ1EH101J	AA		C	Capacitor(25WV 100PF)	[C209]
193	VCCCCZ1EH100D	AA		C	Capacitor(25WV 10PF)	[C210]
194	VCCCCZ1EH330J	AC		C	Capacitor(25WV 33PF)	[C211]
195	VCCCCZ1EH100D	AA		C	Capacitor(25WV 10PF)	[C212]
196	VCCCCZ1EH330J	AC		C	Capacitor(25WV 33PF)	[C213]
197	VCKYCZ1CF104Z	AB		C	Capacitor(16WV 0.1μ F)	[C214]
198	VCKYCZ1CF104Z	AB		C	Capacitor(16WV 0.1μ F)	[C215]
199	VCKYCZ1CF104Z	AB		C	Capacitor(16WV 0.1μ F)	[C217]
200	VCCCCZ1EH101J	AA		C	Capacitor(25WV 100PF)	[C218]
201	VCKYCZ1CF104Z	AB		C	Capacitor(16WV 0.1μ F)	[C219]
202	VCCCCZ1EH100D	AA		C	Capacitor(25WV 10PF)	[C220]
203	VCKYCZ1CF104Z	AB		C	Capacitor(16WV 0.1μ F)	[C222]
204	VCKYCZ1CF104Z	AB		C	Capacitor(16WV 0.1μ F)	[C227]
205	VCEAEA1CW106M	AC		C	Capacitor(16WV 10μ F)	[C228]
206	VCKYCY1HF104Z	AA		C	Capacitor(50WV 0.1μ F)	[C229]
207	VCKYCY1HF104Z	AA		C	Capacitor(50WV 0.1μ F)	[C230]
208	VCCCCZ1EH330J	AC		C	Capacitor(25WV 33PF)	[C231]
209	VCCCCZ1EH330J	AC		C	Capacitor(25WV 33PF)	[C232]
210	VCKYCZ1CF104Z	AB		C	Capacitor(16WV 0.1μ F)	[C233]
211	VCKYCY1HF104Z	AA		C	Capacitor(50WV 0.1μ F)	[C234]
212	VCEAGA1HW107M	AA		C	Capacitor(50WV 100μ F)	[C235]
213	VCKYCZ1CF104Z	AB		C	Capacitor(16WV 0.1μ F)	[C236]
214	VCKYCY1HB103K	AA		C	Capacitor(50WV 0.01μ F)	[C237]
215	VCKYCY1HB103K	AA		C	Capacitor(50WV 0.01μ F)	[C238]
216	VCKYCY1HB103K	AA		C	Capacitor(50WV 0.01μ F)	[C239]
217	VCKYCY1HB103K	AA		C	Capacitor(50WV 0.01μ F)	[C240]
218	VCKYCY1CF224Z	AB		C	Capacitor(16WV 0.22μ F)	[C241]
219	VCKYCY1HF104Z	AA		C	Capacitor(50WV 0.1μ F)	[C242]
220	VCKYCY1HF104Z	AA		C	Capacitor(50WV 0.1μ F)	[C243]
221	VCEAGA1HW476M	AB		C	Capacitor(50WV 47μ F)	[C244]
222	VCKYCY1HF104Z	AA		C	Capacitor(50WV 0.1μ F)	[C245]

NO.	PARTS CODE	PRICE RANK	NEW MARK	PART RANK	DESCRIPTION		
[9] Control PWB unit(AM-400SG)							
223	VCKYCZ1EB102K	AA		C	Capacitor(25WV 1000PF)	[C246]	
224	VCEAGA1CW476M	AB		C	Capacitor(16WV 47μ F)	[C248]	
225	VCKYCZ1CF104Z	AB		C	Capacitor(16WV 0.1μ F)	[C249]	
226	VCKYCZ1EB102K	AA		C	Capacitor(25WV 1000PF)	[C250]	
227	VCEAGA1CW476M	AB		C	Capacitor(16WV 47μ F)	[C251]	
228	VCKYCZ1CF104Z	AB		C	Capacitor(16WV 0.1μ F)	[C252]	
229	VCKYCZ1EB102K	AA		C	Capacitor(25WV 1000PF)	[C253]	
230	VCKYCZ1EB102K	AA		C	Capacitor(25WV 1000PF)	[C254]	
231	VCKYCZ1EB102K	AA		C	Capacitor(25WV 1000PF)	[C256]	
232	VCKYCZ1EB102K	AA		C	Capacitor(25WV 1000PF)	[C257]	
233	VCKYCZ1EB102K	AA		C	Capacitor(25WV 1000PF)	[C258]	
234	VCKYCZ1EB102K	AA		C	Capacitor(25WV 1000PF)	[C259]	
235	VCKYCY1HF104Z	AA		C	Capacitor(50WV 0.1μ F)	[C260]	
236	VCEAEA1CW106M	AC		C	Capacitor(16WV 10μ F)	[C261]	
237	VCEAGA1EW227M	AB		C	Capacitor(25WV 220μ F)	[C263]	
238	VCKYCZ1CF104Z	AB		C	Capacitor(16WV 0.1μ F)	[C264]	
239	VCEAGA1CW476M	AB		C	Capacitor(16WV 47μ F)	[C267]	
240	VCKYCZ1CF104Z	AB		C	Capacitor(16WV 0.1μ F)	[C268]	
241	VCCCCZ1EH100D	AA		C	Capacitor(25WV 10PF)	[C269]	
242	VCCCCZ1EH330J	AC		C	Capacitor(25WV 33PF)	[C270]	
243	VCKYCZ1CF104Z	AB		C	Capacitor(16WV 0.1μ F)	[C273]	
244	VCKYCZ1CF104Z	AB		C	Capacitor(16WV 0.1μ F)	[C274]	
245	VCKYCZ0JB105K	AB		C	Capacitor(6.3WV 1.0μ F)	[C275]	
246	VCKYCY1HF104Z	AA		C	Capacitor(50WV 0.1μ F)	[C284]	
247	VCKYCY1HF104Z	AA		C	Capacitor(50WV 0.1μ F)	[C285]	
248	VCKYCZ1CF104Z	AB		C	Capacitor(16WV 0.1μ F)	[C286]	
249	VCKYCY1HF104Z	AA		C	Capacitor(50WV 0.1μ F)	[C287]	
250	VCKYTQ1CF474Z	AB		C	Capacitor(16WV 0.47μ F)	[C289]	
251	QCNCM2442SC0B	AB		C	Connector(2pin)	[CNBYPE]	
252	QCNCW2556SC1B	AG		C	Connector(12pin)	[CNCSIS]	
253	QCNCM2694XH0C	AE	N	C	Connector(3pin)	[CNFM]	
254	QCNCM2401SC0B	AA		C	Connector(2pin)	[CNFRT]	
255	QCNCM2694XH0B	AE	N	C	Connector(2pin)	[CNHPS]	
256	QCNCM2694XH0E	AE	N	C	Connector(5pin)	[CNHV]	
257	QCNCM2694XH1B	AE	N	C	Connector(12pin)	[CNLIU]	
258	QCNCM7014SC0H	AB		C	Connector(8pin)	[CNLSR]	
259	QCNCM7014SC0D	AB		C	Connector(4pin)	[CNMM]	
260	QCNCM2442SC0B	AB		C	Connector(2pin)	[CNORG]	
261	QCNCM2401SC0B	AA		C	Connector(2pin)	[CNPIN]	
262	QCNCM2666XH0E	AE	N	C	Connector(5pin)	[CNPM]	
263	QCNCW2556SC1F	AG	N	C	Connector(16pin)	[CNPN]	
264	QCNCM7014SC0C	AA		C	Connector(3pin)	[CNPOUT1]	
265	QCNCM2401SC0B	AA		C	Connector(2pin)	[CNPOUT2]	
266	QCNCM2694XH0F	AE	N	C	Connector(6pin)	[CNPUM]	
267	QCNCM2694XH1D	AE	N	C	Connector(14pin)	[CNPW]	
268	QCNCM2666XH0B	AD		C	Connector(2pin)	[CNROLSNS]	
269	QCNCM7014SC0B	AD		C	Connector(2pin)	[CNRTH]	
270	QCNCM7014SC0D	AB		C	Connector(4pin)	[CNSCM]	
271	QCNCM2666XH0B	AD		C	Connector(2pin)	[CNISP]	
272	QCNCM2666XH0D	AD		C	Connector(4pin)	[CNTCT]	
273	QCNCM7014SC0B	AD		C	Connector(2pin)	[CNTCVR]	
274	QCNCM2710XHZZ	AK	N	C	Connector	[CNUSB]	
275	VHDB715F//--1	AF		B	Diode(RB715F)	[D3]	
276	VHD1SS355//--1	AB		B	Diode(1SS355)	[D4]	
277	VHD1SS355//--1	AB		B	Diode(1SS355)	[D12]	
278	VHDMC2850T1-1	AE		B	Diode(MC2850)	[D13]	
279	VHD1SS355//--1	AB		B	Diode(1SS355)	[D14]	
280	VHE1N4748A//--1	AC		B	Diode(1N4748A)	[D15]	
281	VHEUDZS6R2B-1	AE	N	B	Zener diode(UDZS6.2B)	[D21]	
282	VHD1SS355//--1	AB		B	Diode(1SS355)	[D24]	
△	283	QFS-L1027YCZZ	AE		IC protector(KAB3202 202)	[F3]	
△	284	QFS-L2021XHZZ	AE	N	A	IC protector(KAB5002 251)	[F4]
△	285	QFS-L2021XHZZ	AE	N	A	IC protector(KAB5002 251)	[F5]
△	286	QFS-L0004QCZZ	AE	N	A	IC protector(KAB3202 102)	[F6]
△	287	QFS-L2025XHZZ	AE	N	A	IC protector(KAB2402 402)	[F7]
△	288	QFS-L2016XHZZ	AD		A	IC protector(KAB5002 201)	[F8]
	289	RH-iX2425XHZZ	BS	N	B	IC(OA-2000)	[IC1]
	290	RH-iX2459XHZZ	AG	N	B	IC(74LV1GWU04ASCE-E)	[IC3]
	291	RH-iX2446XHZZ	BK	N	B	IC(W9812G6DH-75/IS42S16800A-7TL)	[IC4]
	292	VHiPST596CMT1	AF		B	IC(PST596CMT)	[IC5]
	293	VHiF016/TE49A	BF	N	E	Service IC,FLASH ROM(16MB)(Ver.:TE49A)	[IC6]
	294	RH-iX2449XHZZ	AG	N	B	IC(XC6206P182MR)	[IC7]
	295	RH-iX2448XHZZ	AL	N	B	IC(FAN1117AD18X)	[IC8]
	296	RH-iX2494XHZZ	AH	N	B	IC(XC6219B332PR)	[IC9]
	297	RH-iX2411XHZZ	AG	N	B	IC(SN74LV244APWR)	[IC10]
	298	RH-iX2462XHZZ	AZ	N	B	IC(MTD2007F-3072)	[IC12]
	299	RH-iX2411XHZZ	AG	N	B	IC(SN74LV244APWR)	[IC14]
	300	RH-iX2451XHZZ	AH	N	B	IC(SN74AHCT244PWR)	[IC15]
	301	RH-iX2458XHZZ	AG	N	B	IC(74LV1GW53ASCE-E)	[IC16]
	302	VHiNJM2113M-1	AG		B	IC(NJM2113M)	[IC17]
	303	RH-iX2444XHZZ	BP	N	B	IC(FM336Plus)	[IC18]
	304	RH-iX2346XHZZ	AG		B	IC(HA17358AF)	[IC19]
	305	VHiF001/TE53E	BL	N	B	Service IC,MASK ROM(1MB)(Ver.:TE53E)	[IC21]
	306	RH-iX2461XHZZ	AH	N	B	IC(KIA7805API/P)	[IC22]
	307	RH-iX2454XHZZ	AG	N	B	IC(SN74LV32APWR)	[IC23]

NO.	PARTS CODE	PRICE RANK	NEW MARK	PART RANK	DESCRIPTION	
[9] Control PWB unit(AM-400SG)						
308	RH-iX2453XHZZ	AG	N	B	IC(SN74LV08APWR)	[IC24]
309	RH-iX2452XHZZ	AG	N	B	IC(SN74LV06APWR)	[IC25]
310	RH-iX2450XHZZ	AG	N	B	IC(SN74AHC74PWR)	[IC26]
311	RH-iX2457XHZZ	AG	N	B	IC(74LV1GW14ASCE-E)	[IC27]
312	RH-iX2456XHZZ	AG	N	B	IC(74HC161FPEL-E)	[IC28]
313	RH-iX2453XHZZ	AG	N	B	IC(SN74LV08APWR)	[IC29]
314	RH-iX2455XHZZ	AG	N	B	IC(74HC151FPEL-E)	[IC30]
315	VHiBA10393F-1	AC		B	IC(BA10393F)	[IC31]
316	VHiULN2003AN/	AE		B	IC(ULN2003AN)	[IC32]
317	RH-iX2450XHZZ	AG	N	B	IC(SN74AHC74PWR)	[IC33]
318	RH-iX2447XHZZ	AX	N	B	IC(A3982SLB)	[IC34]
319	RH-iX2493XHZZ	AH	N	B	IC(NJM78L12UA)	[IC36]
320	RcILF2195XHZZ	AL	N	C	Filter(1012AH-1012=P2)	[L1]
321	VRS-CZ1JB100J	AA		C	Resistor(1/16W 10Ω ± 5%)	[L4]
322	VRS-CZ1JB000J	AA		C	Resistor(1/16W 0Ω ± 5%)	[L5]
323	RcILZ2193XHZZ	AE	N	C	Coil(MMZ1005Y102C)	[L6]
324	VSRT1N436CT-1	AE		B	Transistor(RT1N436C)	[Q4]
325	VSRT1N436CT-1	AE		B	Transistor(RT1N436C)	[Q5]
326	VSRT1N436CT-1	AE		B	Transistor(RT1N436C)	[Q6]
327	VSRT1P141CT-1	AB		B	Transistor(RT1P141C)	[Q7]
328	VSRT1N436CT-1	AE		B	Transistor(RT1N436C)	[Q8]
329	VSRT1N436CT-1	AE		B	Transistor(RT1N436C)	[Q9]
330	VSRT1N436CT-1	AE		B	Transistor(RT1N436C)	[Q10]
331	VSRT1N436CT-1	AE		B	Transistor(RT1N436C)	[Q11]
332	VSRT1N436CT-1	AE		B	Transistor(RT1N436C)	[Q12]
333	VSRT1N436CT-1	AE		B	Transistor(RT1N436C)	[Q13]
334	VSRT1N141CT-1	AE	N	B	Transistor(RT1N141C)	[Q14]
335	VSRT1N141CT-1	AE	N	B	Transistor(RT1N141C)	[Q15]
336	VSRT5N141CT-1	AE	N	B	Transistor(RT5N141C)	[Q18]
337	VS2SC2412K/-1	AB		B	Transistor(2SC2412K)	[Q29]
338	VS2SC2412K/-1	AB		B	Transistor(2SC2412K)	[Q30]
339	VS2SC2412K/-1	AB		B	Transistor(2SC2412K)	[Q31]
340	VS2SA1530AT-1	AE	N	B	Transistor(2SA1530A)	[Q32]
341	VS2SA1530AT-1	AE	N	B	Transistor(2SA1530A)	[Q33]
342	VSRT1N436CT-1	AE		B	Transistor(RT1N436C)	[Q34]
343	VRS-CZ1JB000J	AA		C	Resistor(1/16W 0Ω ± 5%)	[R1]
344	VRS-CZ1JB101J	AA		C	Resistor(1/16W 100Ω ± 5%)	[R2]
345	VRS-CZ1JB100J	AA		C	Resistor(1/16W 10Ω ± 5%)	[R3]
346	VRS-CZ1JB472J	AA		C	Resistor(1/16W 4.7KΩ ± 5%)	[R5]
347	VRS-CZ1JB472J	AA		C	Resistor(1/16W 4.7KΩ ± 5%)	[R6]
348	VRS-CZ1JB101J	AA		C	Resistor(1/16W 100Ω ± 5%)	[R7]
349	VRS-CZ1JB101J	AA		C	Resistor(1/16W 100Ω ± 5%)	[R9]
350	VRS-CZ1JB330J	AA		C	Resistor(1/16W 33Ω ± 5%)	[R10]
351	VRS-CZ1JB221J	AD		C	Resistor(1/16W 220Ω ± 5%)	[R11]
352	VRS-CZ1JB330J	AA		C	Resistor(1/16W 33Ω ± 5%)	[R12]
353	VRS-CZ1JB000J	AA		C	Resistor(1/16W 0Ω ± 5%)	[R13]
354	VRS-CZ1JB330J	AA		C	Resistor(1/16W 33Ω ± 5%)	[R14]
355	VRS-CZ1JB330J	AA		C	Resistor(1/16W 33Ω ± 5%)	[R15]
356	VRS-CZ1JB330J	AA		C	Resistor(1/16W 33Ω ± 5%)	[R16]
357	VRS-CZ1JB330J	AA		C	Resistor(1/16W 33Ω ± 5%)	[R17]
358	VRS-CZ1JB330J	AA		C	Resistor(1/16W 33Ω ± 5%)	[R18]
359	VRS-CZ1JB221J	AD		C	Resistor(1/16W 220Ω ± 5%)	[R19]
360	VRS-CZ1JB221J	AD		C	Resistor(1/16W 220Ω ± 5%)	[R20]
361	VRS-CZ1JB330J	AA		C	Resistor(1/16W 33Ω ± 5%)	[R21]
362	VRS-CZ1JB271J	AA		C	Resistor(1/16W 270Ω ± 5%)	[R22]
363	VRS-CZ1JB330J	AA		C	Resistor(1/16W 33Ω ± 5%)	[R24]
364	VRS-CZ1JB330J	AA		C	Resistor(1/16W 33Ω ± 5%)	[R25]
365	VRS-CZ1JB330J	AA		C	Resistor(1/16W 33Ω ± 5%)	[R26]
366	VRS-CZ1JB330J	AA		C	Resistor(1/16W 33Ω ± 5%)	[R27]
367	VRS-CZ1JB330J	AA		C	Resistor(1/16W 33Ω ± 5%)	[R28]
368	VRS-CZ1JB000J	AA		C	Resistor(1/16W 0Ω ± 5%)	[R29]
369	VRS-CZ1JB000J	AA		C	Resistor(1/16W 0Ω ± 5%)	[R32]
370	VRS-CZ1JB223J	AA		C	Resistor(1/16W 22KΩ ± 5%)	[R33]
371	VRS-CZ1JB000J	AA		C	Resistor(1/16W 0Ω ± 5%)	[R34]
372	RcILZ2193XHZZ	AE		C	Coil(MMZ1005Y102C)	[R36]
373	VRS-CZ1JB000J	AA		C	Resistor(1/16W 0Ω ± 5%)	[R37]
374	RcILZ2193XHZZ	AE		C	Coil(MMZ1005Y102C)	[R38]
375	VRS-CZ1JB333J	AA		C	Resistor(1/16W 33KΩ ± 5%)	[R39]
376	RcILZ2193XHZZ	AE		C	Coil(MMZ1005Y102C)	[R40]
377	RcILZ2193XHZZ	AE		C	Coil(MMZ1005Y102C)	[R41]
378	RcILZ2193XHZZ	AE		C	Coil(MMZ1005Y102C)	[R42]
379	RcILZ2193XHZZ	AE		C	Coil(MMZ1005Y102C)	[R43]
380	VRS-CZ1JB000J	AA		C	Resistor(1/16W 0Ω ± 5%)	[R44]
381	VRS-CZ1JB100J	AA		C	Resistor(1/16W 10Ω ± 5%)	[R46]
382	VRS-CZ1JB330J	AA		C	Resistor(1/16W 33Ω ± 5%)	[R47]
383	VRS-CZ1JB101J	AA		C	Resistor(1/16W 100Ω ± 5%)	[R51]
384	VRS-CZ1JB105J	AD		C	Resistor(1/16W 1MΩ ± 5%)	[R52]
385	VRS-CZ1JB000J	AA		C	Resistor(1/16W 0Ω ± 5%)	[R53]
386	VRS-CZ1JB330J	AA		C	Resistor(1/16W 33Ω ± 5%)	[R54]
387	VRS-CZ1JB391J	AD		C	Resistor(1/16W 390Ω ± 5%)	[R55]
388	VRSCY1JB27R4F	AD	N	C	Resistor(1/16W 27.4Ω ± 1%)	[R56]
389	VRSCY1JB27R4F	AD	N	C	Resistor(1/16W 27.4Ω ± 1%)	[R57]
390	VRS-CY1JB000J	AA		C	Resistor(1/16W 0Ω ± 5%)	[R58]
391	VRS-CZ1JB000J	AA		C	Resistor(1/16W 0Ω ± 5%)	[R59]
392	VRS-CZ1JB000J	AA		C	Resistor(1/16W 0Ω ± 5%)	[R60]

NO.	PARTS CODE	PRICE RANK	NEW MARK	PART RANK	DESCRIPTION	
[9] Control PWB unit(AM-400SG)						
393	VRS-CZ1JB152J	AA		C	Resistor(1/16W 1.5KΩ ± 5%)	[R61]
394	VRS-CZ1JB000J	AA		C	Resistor(1/16W 0Ω ± 5%)	[R62]
395	VRSCZ1JB2492F	AF	N	C	Resistor(1/16W 24.9KΩ ± 1%)	[R63]
396	VRS-CY1JB000J	AA		C	Resistor(1/16W 0Ω ± 5%)	[R66]
397	VRS-CZ1JB000J	AA		C	Resistor(1/16W 0Ω ± 5%)	[R69]
398	VRS-CY1JB000J	AA		C	Resistor(1/16W 0Ω ± 5%)	[R78]
399	VRS-CZ1JB105J	AD		C	Resistor(1/16W 1MΩ ± 5%)	[R80]
400	VRS-CZ1JB181J	AA		C	Resistor(1/16W 180Ω ± 5%)	[R81]
401	VRS-CY1JB000J	AA		C	Resistor(1/16W 0Ω ± 5%)	[R82]
402	VRS-CY1JB000J	AA		C	Resistor(1/16W 0Ω ± 5%)	[R83]
403	VRS-CY1JB000J	AA		C	Resistor(1/16W 0Ω ± 5%)	[R84]
404	RCILZ0285AFZZ	AB		C	Coil(MMZ1608Y102B)	[R87]
405	VRS-CY1JB000J	AA		C	Resistor(1/16W 0Ω ± 5%)	[R88]
406	VRS-CZ1JB103J	AA		C	Resistor(1/16W 10KΩ ± 5%)	[R89]
407	VRS-CZ1JB103J	AA		C	Resistor(1/16W 10KΩ ± 5%)	[R90]
408	VRS-CZ1JB103J	AA		C	Resistor(1/16W 10KΩ ± 5%)	[R91]
409	VRS-CZ1JB103J	AA		C	Resistor(1/16W 10KΩ ± 5%)	[R92]
410	VRS-CZ1JB102J	AA		C	Resistor(1/16W 1KΩ ± 5%)	[R98]
411	VRS-CZ1JB000J	AA		C	Resistor(1/16W 0Ω ± 5%)	[R100]
412	VRS-CZ1JB000J	AA		C	Resistor(1/16W 0Ω ± 5%)	[R103]
413	VRS-CZ1JB472J	AA		C	Resistor(1/16W 4.7KΩ ± 5%)	[R104]
414	VRS-CZ1JB562J	AA		C	Resistor(1/16W 5.6KΩ ± 5%)	[R105]
415	VRS-CZ1JB472J	AA		C	Resistor(1/16W 4.7KΩ ± 5%)	[R106]
416	VRS-CZ1JB330J	AA		C	Resistor(1/16W 33Ω ± 5%)	[R107]
417	VRS-CZ1JB330J	AA		C	Resistor(1/16W 33Ω ± 5%)	[R108]
418	VRS-CZ1JB330J	AA		C	Resistor(1/16W 33Ω ± 5%)	[R109]
419	VRS-CZ1JB330J	AA		C	Resistor(1/16W 33Ω ± 5%)	[R110]
420	VRS-CZ1JB333J	AA		C	Resistor(1/16W 33KΩ ± 5%)	[R111]
421	VRS-CZ1JB333J	AA		C	Resistor(1/16W 33KΩ ± 5%)	[R112]
422	VRS-CZ1JB333J	AA		C	Resistor(1/16W 33KΩ ± 5%)	[R113]
423	VRS-CZ1JB333J	AA		C	Resistor(1/16W 33KΩ ± 5%)	[R114]
424	VRS-CZ1JB271J	AA		C	Resistor(1/16W 270Ω ± 5%)	[R115]
425	VRS-CZ1JB271J	AA		C	Resistor(1/16W 270Ω ± 5%)	[R116]
426	VRS-CZ1JB271J	AA		C	Resistor(1/16W 270Ω ± 5%)	[R117]
427	VRS-CZ1JB271J	AA		C	Resistor(1/16W 270Ω ± 5%)	[R118]
428	VRS-CZ1JB271J	AA		C	Resistor(1/16W 270Ω ± 5%)	[R119]
429	VRS-CZ1JB271J	AA		C	Resistor(1/16W 270Ω ± 5%)	[R120]
430	VRS-CZ1JB271J	AA		C	Resistor(1/16W 270Ω ± 5%)	[R121]
431	VRS-CZ1JB271J	AA		C	Resistor(1/16W 270Ω ± 5%)	[R122]
432	VRS-CZ1JB000J	AA		C	Resistor(1/16W 0Ω ± 5%)	[R132]
433	VRS-CZ1JB000J	AA		C	Resistor(1/16W 0Ω ± 5%)	[R133]
434	VRS-CY1JB000J	AA		C	Resistor(1/16W 0Ω ± 5%)	[R134]
435	VRS-CY1JB000J	AA		C	Resistor(1/16W 0Ω ± 5%)	[R135]
436	VRS-CZ1JB472J	AA		C	Resistor(1/16W 4.7KΩ ± 5%)	[R137]
437	VRS-CZ1JB392J	AD		C	Resistor(1/16W 3.9KΩ ± 5%)	[R139]
438	VRS-CZ1JB103J	AA		C	Resistor(1/16W 10KΩ ± 5%)	[R140]
439	VRS-CZ1JB472J	AA		C	Resistor(1/16W 4.7KΩ ± 5%)	[R141]
440	VRS-CZ1JB101J	AA		C	Resistor(1/16W 100Ω ± 5%)	[R142]
441	VRS-CZ1JB103J	AA		C	Resistor(1/16W 10KΩ ± 5%)	[R143]
442	VRS-CZ1JB332J	AA		C	Resistor(1/16W 3.3KΩ ± 5%)	[R144]
443	VRS-HT3AAR47J	AC		C	Resistor(1W 0.47Ω ± 5%)	[R146]
444	VRS-CZ1JB472J	AA		C	Resistor(1/16W 4.7KΩ ± 5%)	[R152]
445	VRS-CZ1JB133J	AC	N	C	Resistor(1/16W 13KΩ ± 5%)	[R153]
446	VRS-CZ1JB103J	AA		C	Resistor(1/16W 10KΩ ± 5%)	[R154]
447	VRS-CZ1JB101J	AA		C	Resistor(1/16W 100Ω ± 5%)	[R155]
448	VRS-HT3AAR47J	AC		C	Resistor(1W 0.47Ω ± 5%)	[R156]
449	VRS-CZ1JB472J	AA		C	Resistor(1/16W 4.7KΩ ± 5%)	[R157]
450	VRS-CZ1JB103J	AA		C	Resistor(1/16W 10KΩ ± 5%)	[R158]
451	VRS-CZ1JB101J	AA		C	Resistor(1/16W 100Ω ± 5%)	[R159]
452	VRS-CZ1JB101J	AA		C	Resistor(1/16W 100Ω ± 5%)	[R160]
453	VRS-CZ1JB101J	AA		C	Resistor(1/16W 100Ω ± 5%)	[R161]
454	VRS-CZ1JB152J	AA		C	Resistor(1/16W 1.5KΩ ± 5%)	[R162]
455	VRS-CZ1JB101J	AA		C	Resistor(1/16W 100Ω ± 5%)	[R165]
456	VRS-CZ1JB101J	AA		C	Resistor(1/16W 100Ω ± 5%)	[R166]
457	VRS-CZ1JB101J	AA		C	Resistor(1/16W 100Ω ± 5%)	[R167]
458	VRS-CZ1JB101J	AA		C	Resistor(1/16W 100Ω ± 5%)	[R168]
459	VRS-CZ1JB101J	AA		C	Resistor(1/16W 100Ω ± 5%)	[R169]
460	VRS-CZ1JB101J	AA		C	Resistor(1/16W 100Ω ± 5%)	[R170]
461	VRS-CZ1JB101J	AA		C	Resistor(1/16W 100Ω ± 5%)	[R171]
462	VRS-CZ1JB472J	AA		C	Resistor(1/16W 4.7KΩ ± 5%)	[R172]
463	VRS-CZ1JB271J	AA		C	Resistor(1/16W 270Ω ± 5%)	[R174]
464	VRS-CZ1JB104J	AA		C	Resistor(1/16W 100KΩ ± 5%)	[R175]
465	VRS-CZ1JB154J	AD		C	Resistor(1/16W 150KΩ ± 5%)	[R176]
466	VRS-CZ1JB203J	AD		C	Resistor(1/16W 20KΩ ± 5%)	[R177]
467	VRS-CZ1JB302J	AD		C	Resistor(1/16W 3KΩ ± 5%)	[R178]
468	VRS-CZ1JB000J	AA		C	Resistor(1/16W 0Ω ± 5%)	[R179]
469	VRS-CZ1JB471J	AA		C	Resistor(1/16W 470Ω ± 5%)	[R180]
470	VRS-CZ1JB000J	AA		C	Resistor(1/16W 0Ω ± 5%)	[R181]
471	VRS-CZ1JB102J	AA		C	Resistor(1/16W 1KΩ ± 5%)	[R183]
472	VRS-CZ1JB563J	AD		C	Resistor(1/16W 56KΩ ± 5%)	[R184]
473	VRS-CZ1JB103J	AA		C	Resistor(1/16W 10KΩ ± 5%)	[R185]
474	VRS-CZ1JB102J	AA		C	Resistor(1/16W 1KΩ ± 5%)	[R188]
475	VRS-CZ1JB472J	AA		C	Resistor(1/16W 4.7KΩ ± 5%)	[R189]
476	VRS-CZ1JB103J	AA		C	Resistor(1/16W 10KΩ ± 5%)	[R190]
477	VRS-CZ1JB333J	AA		C	Resistor(1/16W 33KΩ ± 5%)	[R191]

NO.	PARTS CODE	PRICE RANK	NEW MARK	PART RANK	DESCRIPTION	
[9] Control PWB unit(AM-400SG)						
478	VRS-CZ1JB103J	AA		C	Resistor(1/16W 10KΩ ± 5%)	[R192]
479	VRS-CZ1JB472J	AA		C	Resistor(1/16W 4.7KΩ ± 5%)	[R193]
480	VRS-CZ1JB472J	AA		C	Resistor(1/16W 4.7KΩ ± 5%)	[R194]
481	VRS-CZ1JB472J	AA		C	Resistor(1/16W 4.7KΩ ± 5%)	[R195]
482	VRS-CZ1JB472J	AA		C	Resistor(1/16W 4.7KΩ ± 5%)	[R196]
483	VRS-CZ1JB203J	AD		C	Resistor(1/16W 20KΩ ± 5%)	[R197]
484	VRS-CZ1JB562J	AA		C	Resistor(1/16W 5.6KΩ ± 5%)	[R198]
485	VRS-CZ1JB621J	AA		C	Resistor(1/16W 620Ω ± 5%)	[R199]
486	VRS-CZ1JB100J	AA		C	Resistor(1/16W 10Ω ± 5%)	[R200]
487	VRSCZ1JB4422F	AF	N	C	Resistor(1/16W 44.2KΩ ± 1%)	[R201]
488	VRS-CZ1JB203J	AD		C	Resistor(1/16W 20KΩ ± 5%)	[R202]
489	VRS-CZ1JB472J	AA		C	Resistor(1/16W 4.7KΩ ± 5%)	[R204]
490	VRS-CZ1JB102J	AA		C	Resistor(1/16W 1KΩ ± 5%)	[R205]
491	VRSCZ1JB4422F	AF	N	C	Resistor(1/16W 44.2KΩ ± 1%)	[R206]
492	VRS-CZ1JB332J	AA		C	Resistor(1/16W 3.3KΩ ± 5%)	[R207]
493	VRS-CZ1JB472J	AA		C	Resistor(1/16W 4.7KΩ ± 5%)	[R208]
494	VRS-CZ1JB303J	AD		C	Resistor(1/16W 30KΩ ± 5%)	[R209]
495	VRS-CZ1JB623J	AD		C	Resistor(1/16W 62KΩ ± 5%)	[R210]
496	VRS-CZ1JB100J	AA		C	Resistor(1/16W 10Ω ± 5%)	[R211]
497	VRS-CZ1JB151J	AA		C	Resistor(1/16W 150Ω ± 5%)	[R213]
498	VRS-CZ1JB000J	AA		C	Resistor(1/16W 0Ω ± 5%)	[R216]
499	VRS-CZ1JB332J	AA		C	Resistor(1/16W 3.3KΩ ± 5%)	[R217]
500	VRS-CZ1JB103J	AA		C	Resistor(1/16W 10KΩ ± 5%)	[R220]
501	VRS-CZ1JB000J	AA		C	Resistor(1/16W 0Ω ± 5%)	[R221]
502	VRS-CZ1JB000J	AA		C	Resistor(1/16W 0Ω ± 5%)	[R222]
503	VRS-CZ1JB103J	AA		C	Resistor(1/16W 10KΩ ± 5%)	[R223]
504	VRS-CZ1JB000J	AA		C	Resistor(1/16W 0Ω ± 5%)	[R224]
505	VRS-CZ1JB000J	AA		C	Resistor(1/16W 0Ω ± 5%)	[R225]
506	VRS-CZ1JB103J	AA		C	Resistor(1/16W 10KΩ ± 5%)	[R226]
507	VRS-CZ1JB101J	AA		C	Resistor(1/16W 100Ω ± 5%)	[R227]
508	VRS-CZ1JB472J	AA		C	Resistor(1/16W 4.7KΩ ± 5%)	[R228]
509	VRS-CZ1JB472J	AA		C	Resistor(1/16W 4.7KΩ ± 5%)	[R229]
510	VRS-CZ1JB472J	AA		C	Resistor(1/16W 4.7KΩ ± 5%)	[R230]
511	VRS-CZ1JB330J	AA		C	Resistor(1/16W 33Ω ± 5%)	[R232]
512	VRS-CZ1JB330J	AA		C	Resistor(1/16W 33Ω ± 5%)	[R233]
513	VRS-CZ1JB000J	AA		C	Resistor(1/16W 0Ω ± 5%)	[R234]
514	VRS-CZ1JB330J	AA		C	Resistor(1/16W 33Ω ± 5%)	[R235]
515	VRS-CZ1JB100J	AA		C	Resistor(1/16W 10Ω ± 5%)	[R236]
516	VRS-CZ1JB103J	AA		C	Resistor(1/16W 10KΩ ± 5%)	[R237]
517	VRS-CZ1JB103J	AA		C	Resistor(1/16W 10KΩ ± 5%)	[R238]
518	VRS-CZ1JB103J	AA		C	Resistor(1/16W 10KΩ ± 5%)	[R239]
519	VRS-CZ1JB100J	AA		C	Resistor(1/16W 10Ω ± 5%)	[R240]
520	VRS-CZ1JB103J	AA		C	Resistor(1/16W 10KΩ ± 5%)	[R241]
521	VRS-CZ1JB103J	AA		C	Resistor(1/16W 10KΩ ± 5%)	[R242]
522	VRS-CZ1JB103J	AA		C	Resistor(1/16W 10KΩ ± 5%)	[R243]
523	VRS-CZ1JB103J	AA		C	Resistor(1/16W 10KΩ ± 5%)	[R244]
524	VRS-CZ1JB103J	AA		C	Resistor(1/16W 10KΩ ± 5%)	[R245]
525	VRS-CZ1JB103J	AA		C	Resistor(1/16W 10KΩ ± 5%)	[R246]
526	VRS-CZ1JB103J	AA		C	Resistor(1/16W 10KΩ ± 5%)	[R247]
527	VRS-CZ1JB103J	AA		C	Resistor(1/16W 10KΩ ± 5%)	[R248]
528	VRS-CZ1JB101J	AA		C	Resistor(1/16W 100Ω ± 5%)	[R249]
529	VRS-CZ1JB101J	AA		C	Resistor(1/16W 100Ω ± 5%)	[R251]
530	VRS-CZ1JB103J	AA		C	Resistor(1/16W 10KΩ ± 5%)	[R252]
531	VRS-CZ1JB101J	AA		C	Resistor(1/16W 100Ω ± 5%)	[R253]
532	VRS-CZ1JB330J	AA		C	Resistor(1/16W 33Ω ± 5%)	[R254]
533	VRS-CZ1JB101J	AA		C	Resistor(1/16W 100Ω ± 5%)	[R255]
534	VRS-CZ1JB101J	AA		C	Resistor(1/16W 100Ω ± 5%)	[R256]
535	VRS-CZ1JB330J	AA		C	Resistor(1/16W 33Ω ± 5%)	[R257]
536	VRS-CZ1JB100J	AA		C	Resistor(1/16W 10Ω ± 5%)	[R258]
537	VRS-CZ1JB330J	AA		C	Resistor(1/16W 33Ω ± 5%)	[R259]
538	VRS-CZ1JB330J	AA		C	Resistor(1/16W 33Ω ± 5%)	[R260]
539	VRS-CZ1JB101J	AA		C	Resistor(1/16W 100Ω ± 5%)	[R261]
540	VRS-CZ1JB101J	AA		C	Resistor(1/16W 100Ω ± 5%)	[R262]
541	VRS-CZ1JB330J	AA		C	Resistor(1/16W 33Ω ± 5%)	[R263]
542	VRS-CZ1JB103J	AA		C	Resistor(1/16W 10KΩ ± 5%)	[R264]
543	VRS-CZ1JB103J	AA		C	Resistor(1/16W 10KΩ ± 5%)	[R265]
544	VRS-CZ1JB103J	AA		C	Resistor(1/16W 10KΩ ± 5%)	[R266]
545	VRS-CZ1JB103J	AA		C	Resistor(1/16W 10KΩ ± 5%)	[R267]
546	VRS-CZ1JB103J	AA		C	Resistor(1/16W 10KΩ ± 5%)	[R268]
547	VRS-CZ1JB103J	AA		C	Resistor(1/16W 10KΩ ± 5%)	[R269]
548	VRS-CZ1JB103J	AA		C	Resistor(1/16W 10KΩ ± 5%)	[R270]
549	VRS-CZ1JB101J	AA		C	Resistor(1/16W 100Ω ± 5%)	[R271]
550	VRS-CZ1JB000J	AA		C	Resistor(1/16W 0Ω ± 5%)	[R272]
551	VRS-CZ1JB103J	AA		C	Resistor(1/16W 10KΩ ± 5%)	[R273]
552	VRS-CZ1JB103J	AA		C	Resistor(1/16W 10KΩ ± 5%)	[R274]
553	VRS-CZ1JB103J	AA		C	Resistor(1/16W 10KΩ ± 5%)	[R275]
554	VRS-CZ1JB103J	AA		C	Resistor(1/16W 10KΩ ± 5%)	[R276]
555	VRS-HT3DA470J	AA		C	Resistor(2W 47Ω ± 5%)	[R277]
556	VRS-CZ1JB101J	AA		C	Resistor(1/16W 100Ω ± 5%)	[R278]
557	VRS-CZ1JB101J	AA		C	Resistor(1/16W 100Ω ± 5%)	[R279]
558	VRS-CZ1JB270J	AA		C	Resistor(1/16W 27Ω ± 5%)	[R280]
559	VRS-CZ1JB103J	AA		C	Resistor(1/16W 10KΩ ± 5%)	[R281]
560	VRS-CZ1JB103J	AA		C	Resistor(1/16W 10KΩ ± 5%)	[R282]
561	VRS-CZ1JB101J	AA		C	Resistor(1/16W 100Ω ± 5%)	[R283]
562	VRS-CZ1JB101J	AA		C	Resistor(1/16W 100Ω ± 5%)	[R284]