

## DIGITAL COPIER

Revised Edition

**AR-5316**  
**AR-5320**  
**AR-1118**  
**AR-M205**  
**AR-M160**  
**AR-5220**

**MODEL**

### CONTENTS

- |  |   |
|--|---|
| 1 Exteriors  | 13 Base plate unit 1                                |
| 2 Operation panel section<br>(AR-1118/AR-5316/AR-5320) | 14 Base plate unit 2                                |
| 3 Operation panel section<br>(AR-M160/AR-M205/AR-5220) | 15 Manual paper feeding multi unit                  |
| 4 Side door unit                                       | 16 Delivery frame unit<br>(AR-1118/AR-5316/AR-5320) |
| 5 Optical unit   | 17 Delivery frame unit<br>(AR-M160/AR-M205/AR-5220) |
| 6 2nd,3rd mirror unit                                  | 18 TC case unit                                     |
| 7 Middle frame unit                                    | 19 250 sheets tray unit                             |
| 8 Process unit   | 20 Packing material & Accessories                   |
| 9 DV cartridge unit<br>(AR-5316 U.S.A,Canada)          | 21 2nd Tray exteriors (AR-5320/AR-M205)             |
| 10 DV cartridge unit<br>(Except AR-5316 U.S.A,Canada)  | 22 2nd Tray paper feeding unit<br>(AR-5320/AR-M205) |
| 11 Fusing unit   | ■ Index   |
| 12 Bain driving unit                                   |   |

## DEFINITION

- Rank A : Maintenance parts, and consumable parts which are not included in but closely related to maintenance parts
- Rank B : Performance/function parts (sensors, clutches, and other electrical parts), consumable parts
- Rank E : Unit parts including PWB
- Rank D : Preparation parts (External fitting, packing, parts packed together)
- Rank C : Parts other than the above (excluding sub components of PWB)

Because parts marked with "△" is indispensable for the machine safety maintenance and operation, it must be replaced with the parts specific to the product specification.

- Other than this Parts Guide, please refer to documents Service Manual(including Circuit Diagram)of this model.
- Please use the 13 digit code described in the right hand corner of front cover of the document, when you place an order.
- For U.S. only-Use order codes provided in advertising literature. Do not order from parts department.

### [NOTE]

- \* There parts are supplied by SMF

### <Note for use of the revised Parts Guide>







- Interchangeability of parts is expressed by No1~6 as shown in the table below.

#### <Interchangeability>

1	Interchangeable.
2	Current type can be used in place of new type. New type cannot be used in place of current type.
3	Current type cannot be used in place of new type. New type can be used in place of current type.
4	Not interchangeable.
5	Interchangeable if replaced with same types of related parts in use.
6	Others.

- New & Addition, Change, Abolition, and Quantity change are expressed with the marks shown in the table below.

#### <Change of Division>

New & Addition	
Change	
Abolition	
Quantity (increase) /Others	
Quantity (decrease)	
Correction	

- Running Change of Effective Time is expressed as R/C.

#### <Effective Time>

R / C	Running Change
-------	----------------

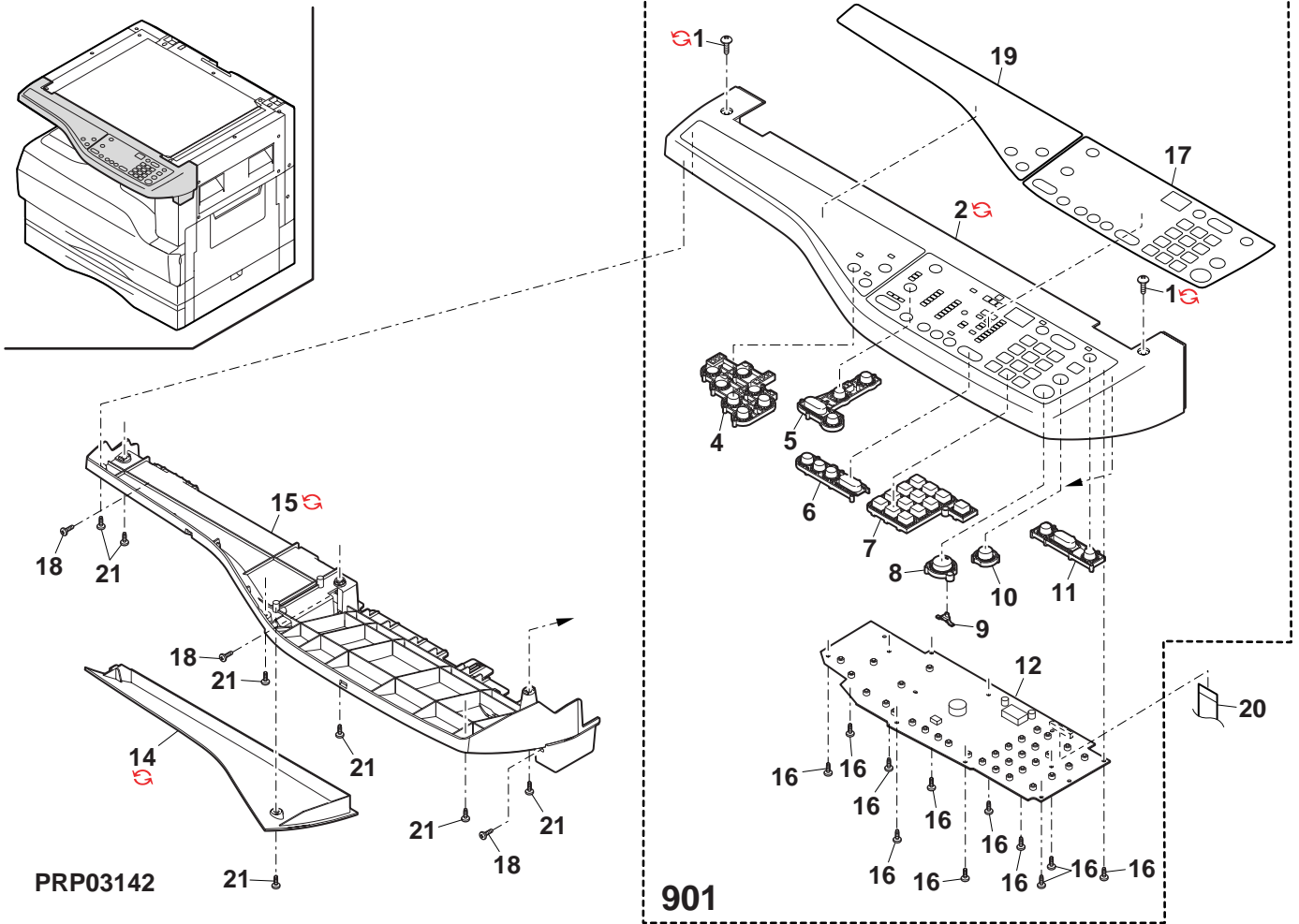
## 1 Exteriors

NO.	PARTS CODE	Inter-change	PRICE RANK	NEW MARK	PART RANK	DESCRIPTION	TR No.	Effective time
1	GCOVH0010QSE5		BD		D	OC cover [Except AR-M205]		
	GCOVH0010QSE6	1	BD		D	OC cover [Except AR-M205]		07/10 R/C
2	PCUSS0023QSZ1		AV		C	OC sheet [Except AR-M205]		
	PCUSS0023QSZ2	1	AV		C	OC sheet [Except AR-M205]		06/08 mid
3	CHNG-0007QS02		AM		C	OC hinge [Except AR-M205]		
	CHNG-0007QS06	1	AL	N	C	OC hinge [Except AR-M205]		07/08 R/C
4	XEBS740P10000		AA		C	Screw(4x10) [Except AR-M205]		
6	GCOV-0047QSZZ		AM		D	Rear cabinet ERDH cover		
	GCOV-0047QSZZ	1	AM		D	Rear cabinet ERDH cover		- R/C
7	CFIX-0024QS01		AL		D	Glass fixing plate		
	CFIX-0024QS09	1	AL		D	Glass fixing plate		- R/C
8	PGLSP0003QSZZ		BA		B	Table glass		
9	PSHEZ0220QSZ1		AK		C	Sheet		
10	GCAB-0068QSZZ		AV		D	Front cabinet		
	GCAB-0068QSZ1	1	AV		D	Front cabinet		- R/C
	CCOV-0046QS37		AY		D	Front cabinet cover [AR-5316(U.S.A,Canada)]		
	CCOV-0046QS08		AX		D	Front cabinet cover [AR-5316(Other Countries)]		
	CCOV-0046QS1C	1	AX		D	Front cabinet cover [AR-5316(Other Countries)]		- R/C
	CCOV-0046QS35		AY		D	Front cabinet cover [AR-1118]		
	CCOV-0046QS2F	1	AY		D	Front cabinet cover [AR-1118]		- R/C
	CCOV-0046QS09		AX		D	Front cabinet cover [AR-5320]		
	CCOV-0046QS1D	1	AX		D	Front cabinet cover [AR-5320]		- R/C
	CCOV-0046QS07		AX		D	Front cabinet cover [AR-M160]		
	CCOV-0046QS1B	1	AX		D	Front cabinet cover [AR-M160]		- R/C
	CCOV-0046QS02		AX		D	Front cabinet cover [AR-M205]		
	CCOV-0046QS0W	1	AX		D	Front cabinet cover [AR-M205]		- R/C
	CCOV-0046QS05		AW		D	Front cabinet cover [AR-5220]		
	CCOV-0046QS0Z	1	AW		D	Front cabinet cover [AR-5220]		- R/C
12	CARMP0010QS03		AD		C	Hinge arm		
	CARMP0010QS04	1	AD		C	Hinge arm		08/02
13	GCOV-0048QSZZ		AM		D	Rear cabinet cover		
	GCOV-0048QSZ1	1	AM		D	Rear cabinet cover		- R/C
14	LX-BZ0750FCPZ		AA		C	Screw(3x6)		
	LX-BZ0088QSPZ	1	AA		C	Screw(3x6)		07/09
15	GCAB-0071QSZ3		AU		D	Left cabinet		
	GCAB-0071QSZ4	1	AU		D	Left cabinet		- R/C
17	XHBS730P08000		AB		C	Screw(3x8)		
18	GCAB-0070QSZ2		BA		D	Rear cabinet [AR-1118/AR-5316/AR-5320]		
	GCAB-0070QSZ3	1	BA		D	Rear cabinet [AR-1118/AR-5316/AR-5320]		- R/C
	GCAB-0070QSZZ		BA		D	Rear cabinet [AR-M160/AR-M205/AR-5220]		
	GCAB-0070QSZ4	1	BA		D	Rear cabinet [AR-M160/AR-M205/AR-5220]		- R/C
19	PGIDM0110QSZZ		AG		C	Hinge guide L		
20	XHBS730P06000		AC		C	Screw(3x6)		
21	PGIDM0111QSZZ		AG		C	Hinge guide R		
22	GCOVH0011QSE1		AM		D	OC glass fixing cover		
	LFIX-0026QSZZ	1	AH		D	OC glass fixing cover		08/06 R/C
23	GCAB-0015QSEB		AU		D	Right cabinet		
	GCAB-0015QSEC	1	AU		D	Right cabinet		06/04
	GCAB-0015QSED	1	AU		D	Right cabinet		- R/C
24	XEBS740P10000		AA		C	Screw(4x10)		
25	LX-BZ0759FCPZ		AC		C	Screw(3x6)		
27	GCAB-0079QSZZ		AP		D	Front right cabinet (U.S.A,Canada)		
	GCAB-0079QSZ1	1	AP		D	Front right cabinet (U.S.A,Canada)		- R/C
	CCAB-0079QS01		AQ		D	Front right cabinet (Except U.S.A,Canada)		
	CCAB-0079QS02	1	AQ		D	Front right cabinet (Except U.S.A,Canada)		- R/C
41	PMLT-0039QSZZ		AC		C	OC cushion [Except AR-M205]		
44	TLABH0458QSZZ		AF		D	Operation label [Except AR-5316(U.S.A,Canada)]		
49	TLABZ0058QSZZ		AD		D	Class 1 label (Except U.S.A,Canada,Taiwan,Brazil,Saudi Arabia,LAG2)		
51	TLABH0482QSZZ		AE		D	Scanning direction label [Except AR-1118/AR-5316(U.S.A,Canada,Australia,New Zealand)]		
52	TLABZ4047FCZZ		AC		D	Energy star label (U.S.A,U.Kingdom,Europe,Australia,New Zealand)		
	TLABZ5148FCZZ	1	AC		D	Energy star label (Europe)		06/07
	TLABZ4312FCZZ		AE		D	Energy star label (Canada only)		
	TLABG0401QSZZ		AR		D	Energy star label (Hong kong only)		
53	LX-BZ3008SCPS		AA		C	Screw(3x8)		
54	TLABM0520QSZZ		AE		D	Imagery label (U.S.A,Canada)		
56	TLABS4070FCZZ		AC		D	Gost-R label (Europe)		
57	TLABS4770FCZZ		AD		D	Standard label (Europe)		
58	TLABH4771FCZZ		AF		D	Class 1 label (Europe)		
	TLABZ0105RSZZ		AD		D	LAG place origin label (LAG4)		
59	TCAUA0770FCZZ		AB		D	Service caution card (Except Europe)		
	TCAUH1047FCZZ		AD		D	Service caution card (Europe)		
60	LX-WZ1003HCZZ		AA		C	Poly slider(T=0.5)		
501	GCOVH0010RS56		BK		E	OC cover unit [Except AR-M205]		
502	CFIX-0024RS51		BD		E	Table unit [Except AR-1118]		





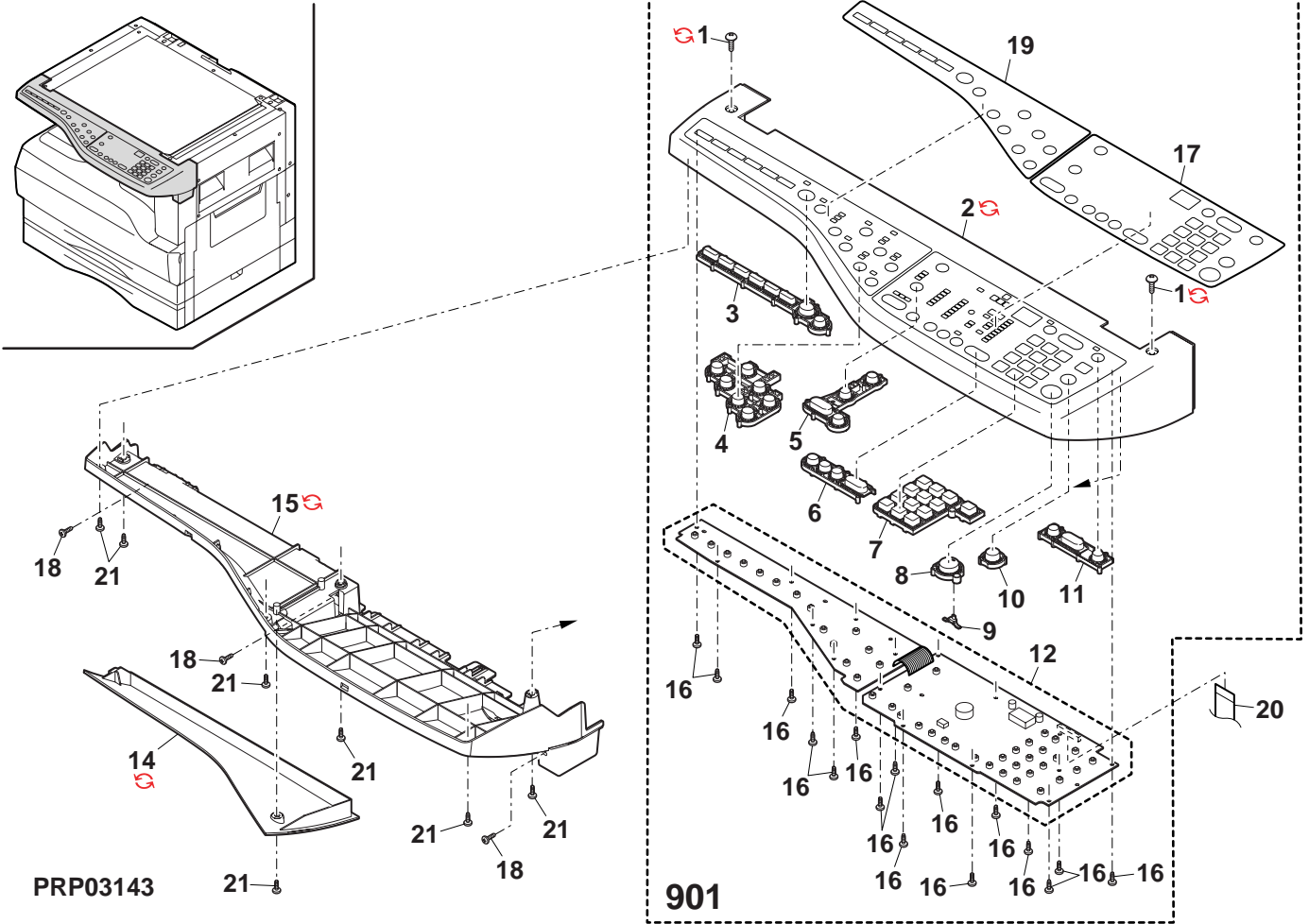
2 Operation panel section (AR-1118/AR-5316/AR-5320)



## 3 Operation panel section (AR-M160/AR-M205/AR-5220)

NO.	PARTS CODE	Inter-change	PRICE RANK	NEW MARK	PART RANK	DESCRIPTION	TR No.	Effective time
1	LX-BZ0750FCPZ		AA		C	Screw(3x6)		
	LX-BZ0088QSPZ	1	AA		C	Screw(3x6)		07/09
2	GCAB-0073QSZZ		AW		D	Operation panel cabinet		
	GCAB-0073QSZ1	1	AW		D	Operation panel cabinet		- R/C
3	CBTN-0067QS01		AG		C	Scanning key		
4	JBTN-0066QSZZ		AH		C	Special function key		
5	JBTN-0065QSZZ		AE		C	Mode select key		
6	JBTN-0064QSZZ		AF		C	Magnification key		
7	CBTN-0060QS01		AK		C	Ten key		
8	CBTN-0061QS01		AE		C	Start key AS		
9	PF i LZ0012QSZZ		AC		C	Start key filter		
10	CBTN-0062QS01		AF		C	CA key		
11	JBTN-0063QSZZ		AE		C	Zoom key		
12	DUNTK0353QSA6		BF		E	Operation PWB [AR-160M/AR-M160(Other Countries)]		
	DUNTK0353QSA4		BF		E	Operation PWB [AR-M160(U.S.A,Canada,U.kingdom,Europe)/AR-5220]		
	DUNTK0353QSA3		BF		E	Operation PWB [AR-M205(U.S.A,Canada,U.kingdom,Europe)]		
	DUNTK0353QSA2		BF		E	Operation PWB [AR-M205(Other Countries)]		
14	GCOV-0050QSZZ		AN		D	Operation panel cover		
	GCOV-0050QSZ1	1	AN		D	Operation panel cover		- R/C
15	GCAB-0067QSZZ		AX		D	Operation panel bottom		
	GCAB-0067QSZ1	1	AX		D	Operation panel bottom		- R/C
16	XEBSD30P08000		AA		C	Screw(3x8)		
17	CPNLH0026QS13		AU		D	Main Deco. panel [AR-M160(U.S.A only)]		
	CPNLH0026QS02		AU		D	Main Deco. panel [AR-M205(U.S.A only)]		
	CPNLH0026QS03		AV		D	Main Deco. panel [AR-M205(Canada only)]		
	CPNLH0026QS15		BA		D	Main Deco. panel [AR-M160(U.kingdom only)]		
	CPNLH0026QS04		BA		D	Main Deco. panel [AR-M205(U.kingdom only)]		
	CPNLH0026QS16		AU		D	Main Deco. panel [AR-M160(Europe)]		
	CPNLH0026QS05		AV		D	Main Deco. panel [AR-M205(Europe)]		
	CPNLH0026QS20		BA		D	Main Deco. panel [AR-M160(Philippines only)]		
	CPNLH0026QS11		BA		D	Main Deco. panel [AR-M205(Philippines only)]		
	CPNLH0026QS19		BA		D	Main Deco. panel [AR-M160(Taiwan only)]		
	CPNLH0026QS10		BA		D	Main Deco. panel [AR-M205(Taiwan only)]		
	CPNLH0026QS08		AV		D	Main Deco. panel [AR-M160(Canada only)/AR-5220]		
	CPNLH0026QS18		AU		D	Main Deco. panel [AR-M160(Other Countries)]		
	CPNLH0026QS09		AV		D	Main Deco. panel [AR-M205(Other Countries)]		
18	XHBSE30P08000		AA		C	Screw(3x8)		
19	CPNLH0027QS02		AT		D	DUP Deco. panel [AR-M205(U.S.A,U.kingdom)]		
	CPNLH0027QS03		AU		D	DUP Deco. panel [AR-M205(Other Countries)]		
	CPNLH0028QS02		AU		D	SIMP Deco. panel [AR-M160(U.S.A,U.kingdom)]		
	CPNLH0028QS03		AT		D	SIMP Deco. panel [AR-M160(Other Countries)/AR-5220]		
20	DHA i -0324QSZZ		AH		C	OP-MCU FFC harness		
21	XEBSE30P08000		AA		C	Screw(3x8)		
	(Unit)							
901	CCAB-0073RS52		BP		E	Operation panel unit(Without No.1) [AR-M160(U.S.A only)]		
	CCAB-0073RS53		BP		E	Operation panel unit(Without No.1) [AR-M160(Canada only)]		
	CCAB-0073RS54		BQ		E	Operation panel unit(Without No.1) [AR-M160(U.kingdom only)]		
	CCAB-0073RS55		BP		E	Operation panel unit(Without No.1) [AR-M160(Europe)]		
	CCAB-0073RS56		BP		E	Operation panel unit(Without No.1) [AR-M160(Australia only)]		
	CCAB-0073RS59		BP		E	Operation panel unit(Without No.1) [AR-M205(U.S.A only)]		
	CCAB-0073RS60		BQ		E	Operation panel unit(Without No.1) [AR-M205(Canada only)]		
	CCAB-0073RS61		BR		E	Operation panel unit(Without No.1) [AR-M205(U.kingdom only)]		
	CCAB-0073RS62		BQ		E	Operation panel unit(Without No.1) [AR-M205(Europe)]		
	CCAB-0073RS63		BQ		E	Operation panel unit(Without No.1) [AR-M205(Australia only)]		

3 Operation panel section (AR-M160/AR-M205/AR-5220)

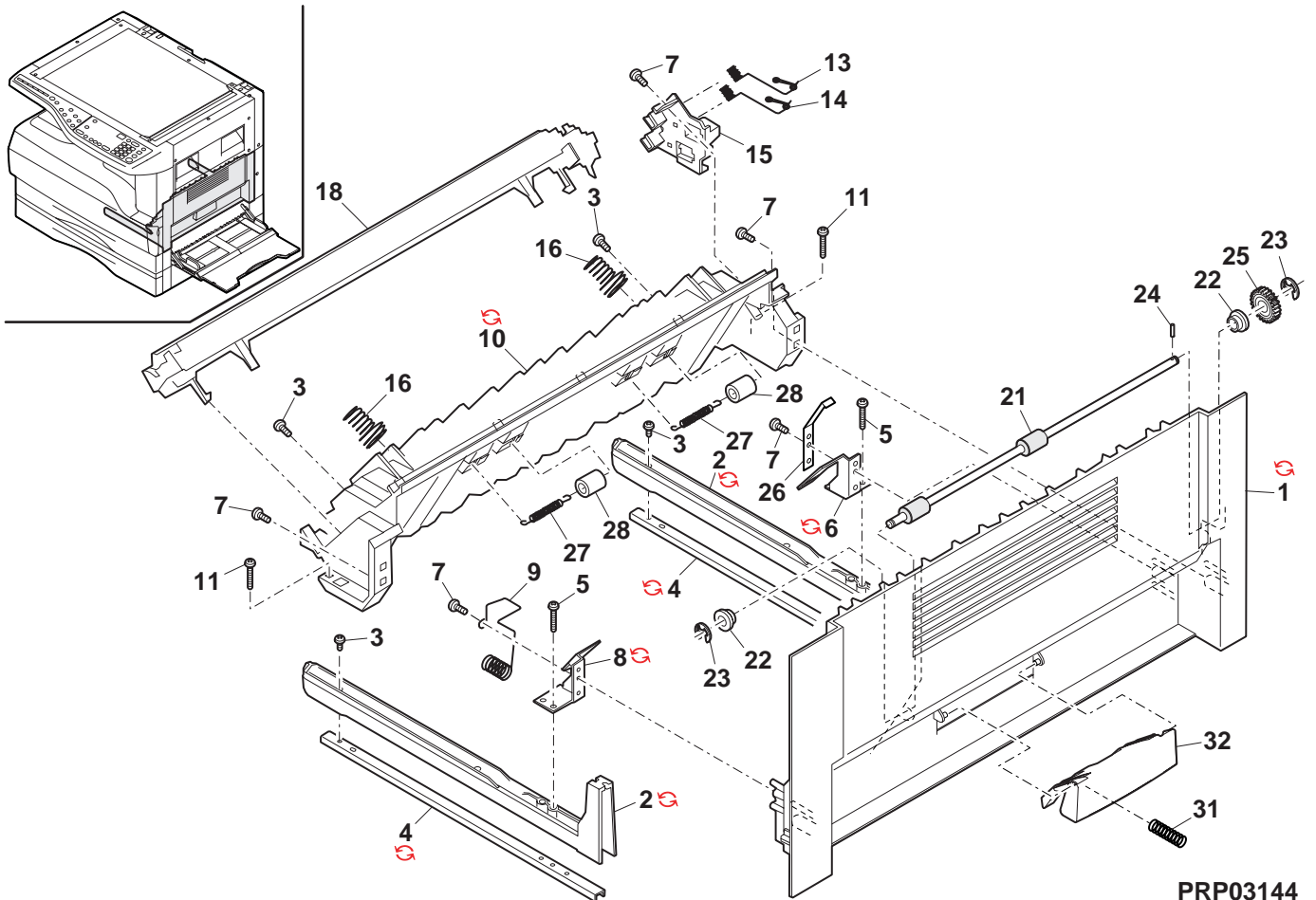




4 Side door unit

NO.	PARTS CODE	Inter-change	PRICE RANK	NEW MARK	PART RANK	DESCRIPTION	TR No.	Effective time
1	GDOR-0004QSZ1		AQ		D	Right door		
	GDOR-0004QSZ2	1	AQ		D	Right door		- R/C
2	LRALP0004QSZ2		AH		C	Right door rail		
	LRALP0004QSZ3	1	AH	N	C	Right door rail		07/08 R/C
3	XHBS730P10000		AD		C	Screw(3x10)		
4	LPLTM0092QSZZ		AF		C	Rail reinforce plate		
	LPLTM0092QSZ1	1	AE		C	Rail reinforce plate		08/02
5	XHBS730P14000		AA		C	Screw(3x14)		
6	LPLTM0091QSZZ		AE		C	Inner reinforce plate R		
	LPLTM0091QSZ1	3	AE		C	Inner reinforce plate R	[Form change]	06/04 R/C
7	XEBS730P10000		AC		C	Screw(3x10)		
8	LPLTM0090QSZZ		AE		C	Inner reinforce plate F		
	LPLTM0090QSZ1	3	AE		C	Inner reinforce plate F	[Form change]	06/04 R/C
9	MSPRC0085QSZZ		AE		C	TC case GND spring		
10	LFRM-0016QSZ5		AQ		C	Right door inner N		
	LFRM-0016QSZ6	1	AQ		C	Right door inner N		06/04
11	XHBS730P16000		AA		C	Screw(3x16)		
13	MSPRC0084QSZ1		AD		C	BC I/F spring		
14	MSPRC0083QSZ1		AD		C	TC I/F spring		
15	LHLDZ0033QSZ1		AF		C	TC terminal I/F holder		
16	MSPRC0082QSZ1		AC		C	Pressure spring		
18	CHLDZ0030RS54		BA		E	TC case unit	[Except AR-1118]	
	CHLDZ0030RS55		AY		E	TC case unit	[AR-1118]	
21	NR0LP0036QSZZ		AP		C	DUP transport roller	[AR-M205]	
22	LBSHZ0303FCZZ		AC		C	M bushing C	[AR-M205]	
23	XRESP40-06000		AA		C	E type ring(E4)	[AR-M205]	
24	XPSSJ20-07000		AA		C	Spring pin	[AR-M205]	
25	NGERH0074QSZZ		AD		C	DUP roller driving gear	[AR-M205]	
26	LPLTM0102QSZZ		AD		C	DUP roller earth plate	[AR-M205]	
27	MSPRT0141GCA1		AB		C	FU PSV spring	[AR-M205]	
28	NR0LP1122FCZZ		AF		C	PS upper roller	[AR-M205]	
31	MSPRC0319QSZZ		AB		C	Right door knob spring		
32	JKNBZ0008QSZZ		AE		C	Right door knob		
(Unit)								
901	CDOR-0004RS51		BC		E	Side door unit(Without No.16,18)	[Except AR-M205]	
	CDOR-0004RS52		BD		E	Side door unit(Without No.16,18)	[AR-M205]	

4 Side door unit



PRP03144

## 5 Optical unit

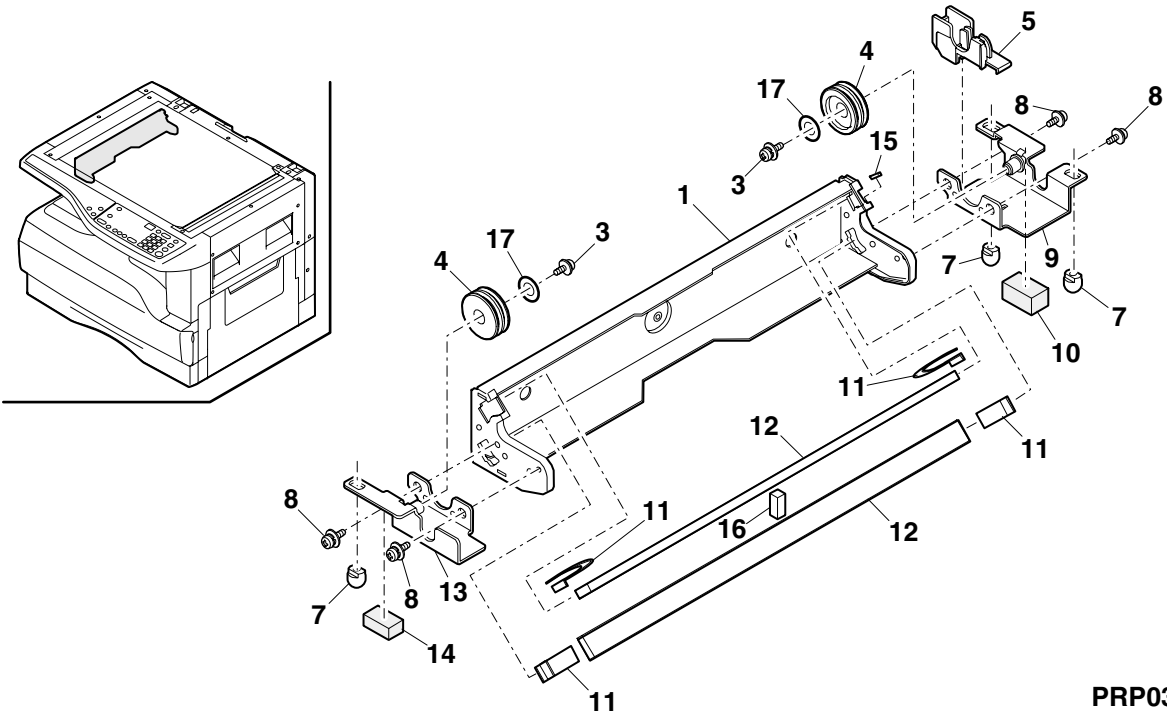
NO.	PARTS CODE	Inter-change	PRICE RANK	NEW MARK	PART RANK	DESCRIPTION	TR No.	Effective time
1	PWIR-0006QSPZ		AZ		C	MB wire F		
2	CMIR-0008QS37		BA		E	2nd,3rd mirror unit		
3	PWIR-0005QSP1		AZ		C	MB wire R		
4	LHLDZ0109QSZZ		AD		C	Wire holder		
5	XBPS740P06K00		AA		C	Screw(4x6K)		
6	XHBS730P06000		AC		C	Screw(3x6)		
7	PCASZ0010QSZZ		AL		C	Dark box		
8	CLNS-0007RS52		BP	N	E	Lens unit [AR-1118/AR-5316/AR-5320]		
	CLNS-0006RS51		BZ	N	E	Lens unit [AR-M160/AR-M205/AR-5220]		
9	DHAI-0342QSZZ		AG		C	CCD harness		
18	NPLYZ0016QSZZ		AF		C	Pulley		
19	NPLYZ0006QSZZ		AD		C	L pulley		
	NPLYZ0006QSZ1	1	AD	N	C	L pulley		06/12 R/C
20	XRESP40-05000		AA		C	E type ring(E4)		
21	PGUMS0004QSZZ		AA		C	Table glass cushion		
22	CPWBF0147QSF3		AL		E	MHPS PWB		
23	XBBS730P08000		AA		C	Screw(3x8)		
24	LBNDJ0043FCZ1		AA		C	Band(SG-130)		
	LBNDJ0043FCP1	1	AB		C	Band		07/09 R/C
25	LHLDZ0104QSZZ		AD		C	CL lead holder		
26	LX-BZ0004QSPZ		AB		C	Screw(3x63)(Red)		
27	LRALM0007QSZ1		AG		C	MB-B rail R		
28	MSPRC0040QSZZ		AB		C	MB drive spring		
29	XBPS730P05K00		AA		C	Screw(3x5K)		
30	RMOTS0041QSZZ		BA		B	Mirror motor		
31	XBPS740P16KS0		AB		C	Screw(4x16KS)		
32	CPLTM0312QS02		AK		C	Mirror motor fixing plate		
33	PGUMS0002QSZZ		AL		C	Protection rubber		
34	NGERH0165QSZZ		AE		C	Mirror motor idle gear		
35	LX-WZ0017GCZZ		AC		C	Washer		
	LX-WZ0017G CZ1	1	AC		C	Washer		- R/C
36	XRESP70-08000		AA		C	E type ring(E7)		
37	NBLTT0037QSZZ		AL		B	Winder drive belt		
38	XRESP50-06000		AA		C	E type ring(E5)		
39	NBRGP0012QSZZ		AC		C	Winder bearing R		
40	NPLYZ0032QSZZ		AK		C	Winder drive shaft pulley		
41	LX-BZ0324FCPZ		AA		C	Screw(3x4)		
42	LX-BZ0049FCPZ		AB	N	C	Screw(4x6)		
43	NPLYZ0031QSZZ		AL		C	Winder pulley		
44	NSFTZ0071QSPZ		AQ		C	Winder drive shaft		
46	NBRGP0011QSZZ		AC		C	Winder bearing F		
47	LRALM0006QSZZ		AG		C	MB-B rail F		
48	CDAIU0012QS14		BF		D	Optical base plate		
52	PSHEZ0440QSZZ		AC		C	Optical front sheet		
53	PSHEZ0448QSZZ		AA		C	Optical base plate bottom sheet A		
56	PMLT-0033QSZZ		AC		C	Optical cushion D		
58	PSHEZ0152QSZZ		AD		C	Optical bottom sheet		
59	RCORF0018QSZZ		AR		C	Ferrite core		
60	PSHEZ0209QSZZ		AB		C	CCD harness protect sheet A		
62	LPFTF0004QSZZ		AB		C	Winder flange		
63	PSHEZ0418QSZZ		AC		C	Optical FR front sheet		
64	LX-BZ0039FCZZ		AB		C	Screw(4x4)		
66	PSHEZ0420QSZZ		AC		C	OP harness protect sheet		
67	PSHEZ0426QSZZ		AB		C	OP harness protect sheet B		
70	PTPE-0051QSZZ		AC		C	OP harness fixing tape		
71	PSHEZ0273QSZZ		AB		C	CCD harness sheet		
72	PSHEZ0217QSZZ		AC		C	CCD harness protect sheet B		
79	PTPE-0050QSZZ		AA		C	Core fixing tape		
80	LPLTM0314QSZZ		AC		C	Wire fixing plate		
	LPLTM0314QSZ1	1	AC		C	Wire fixing plate		08/02
81	DHAI-0332QSZZ		AE		C	CL harness		
82	RINV-0002QSZZ		AU		B	Inverter		
83	LFIX-0023QSZZ		AC		C	Harness fixing plate		
85	MSLI-0138FCZZ		AC		E	Slider		
86	MSPRP2825FCZZ		AC		C	Mirror spring		
87	PCUSF0334FCZZ		AP		C	Mirror cushion		
88	PCUSU0203FCZZ		AE		C	Cushion		
89	PMIR-0164FCZZ		AP		B	1st mirror		
90	PREFL0005QSZZ		AH		C	Lamp reflector		
	RLMPD0034QSZZ		AS		B	Lamp [AR-5316/AR-5320]		
91	RLMPD0032QSZZ		AZ		B	Lamp [AR-1118]		
	RLMPD0033QSZZ		AS		B	Lamp [AR-M160/AR-M205/AR-5220]		
92	LDAIU0030QSZZ		AS		C	Lamp base		
93	XEBS830P06000		AB		C	Screw(3x6)		
96	TLABZ4335FCZZ		AB		D	High pressure cautions label		
97	PREFL0006QSZ1		AK		C	Sub reflector		
106	PSHEZ0465QSZZ		AC		C	Lamp reflector sheet		
107	RCORF0018QSZZ	-	AR		C	Ferrite core (Taiwan)		1st lot
501	CREFL0005RS54		BD	N	E	Copy lamp unit [AR-5316/AR-5320]		
	CREFL0005RS52		BH	N	E	Copy lamp unit [AR-1118]		



6 2nd,3rd mirror unit

NO.	PARTS CODE	Inter-change	PRICE RANK	NEW MARK	PART RANK	DESCRIPTION	TR No.	Effective time
1	LHLDZ0044QSZZ		AN		C	2nd,3rd mirror holder		
3	XBPS740P06KS0		AB		C	Screw(4x6KS)		
4	NPLYZ0017QSZZ		AE		C	W pulley		
5	LHLDZ0013QSZZ		AD		C	CL guide holder		
7	MSLi-0138FCZZ		AC		E	Slider		
8	LX-BZ0335FCPZ		AB		C	Screw(4x6)(Red)		
9	CPLTM0156QS03		AH		C	Pulley fixing plate R		
10	PCUSS0009QSZZ		AA		C	MB-B cushion R		
11	LFiX-0284FCZZ		AC		C	2nd,3rd mirror fixing plate F		
12	PMiR-0008QSZ1		BA		B	2nd,3rd mirror		
13	CPLTM0155QS03		AH		C	Pulley fixing plate F		
14	PCUSS0201FCZZ		AA		C	MB-B cushion		
15	PSPAZ0011QSZZ		AD		C	Mirror spacer		
16	PMLT-0084QSZZ		AB		C	2nd,3rd mirror cushion		
17	LX-WZ0001GCZZ		AB		C	Washer		
	(Unit)							
901	CMiR-0008QS37		BA		E	2nd,3rd mirror unit		

6 2nd,3rd mirror unit



PRP03146

## 7 Middle frame unit

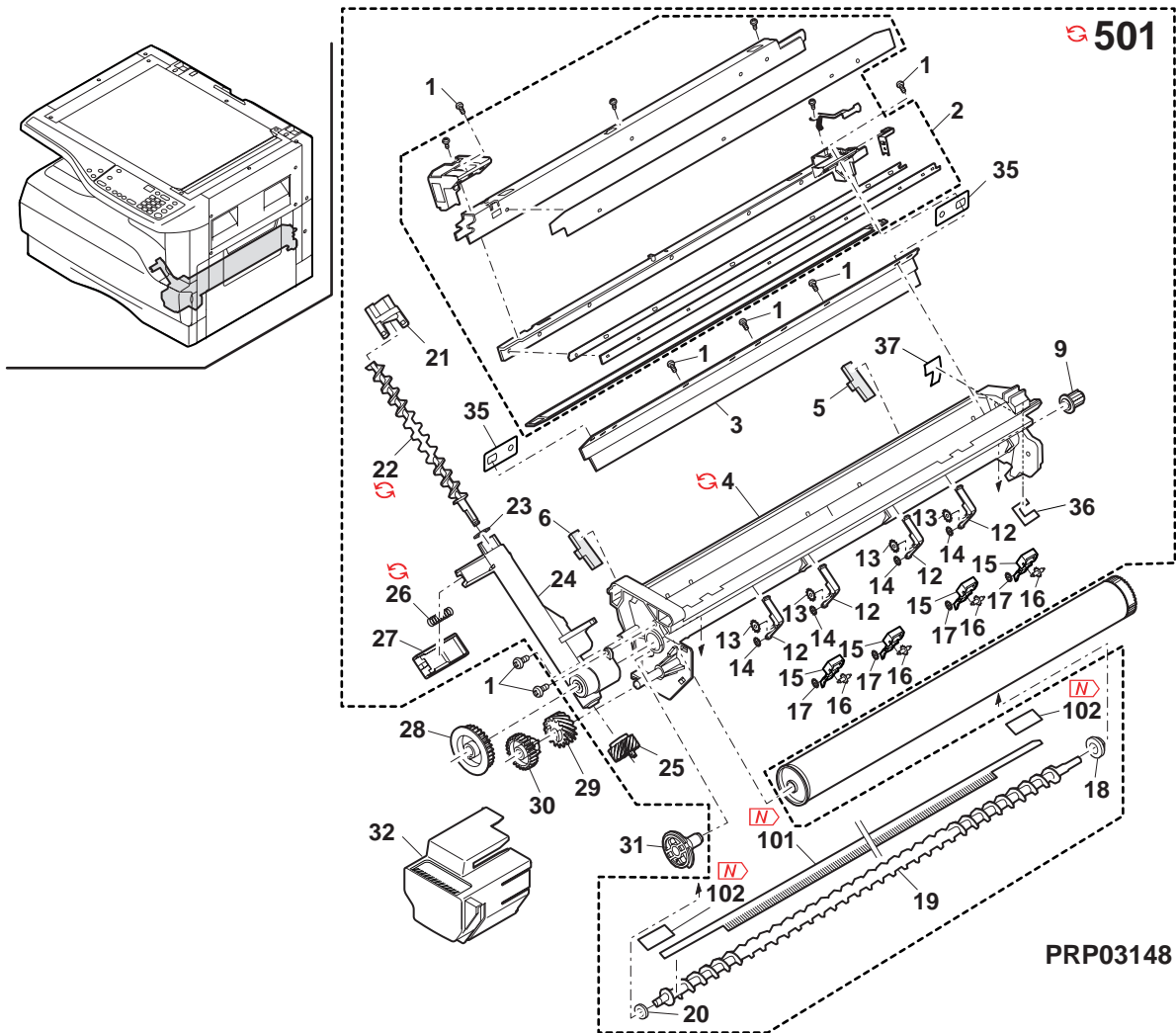
NO.	PARTS CODE	Inter-change	PRICE RANK	NEW MARK	PART RANK	DESCRIPTION	TR No.	Effective time
1	XEPS723P12000		AA		C	Screw(2.3x12)		
2	CSW-M0007RS55		AS		B	Interlock switch unit		
3	NCPL-0002QSZZ		AC		C	Hopper coupling [AR-5316(U.S.A,Canada)]		
	NCPL-0007QSZZ		AC		C	Hopper coupling [Except AR-5316(U.S.A,Canada)]		
4	MSPRC0024QSZZ		AA		C	Hopper spring		
	MSPRC0024QSZ1	1	AC		C	Hopper spring		07/09
5	RMOTD0016QSZZ		AZ		B	Toner motor [AR-5316(U.S.A,Canada)]		
	RMOTD0035QSPZ		AX		B	Toner motor [AR-1118]		
	RMOTD0035QSP1	1	AZ		B	Toner motor [AR-1118]		06/08 R/C
	RMOTD0035QSZZ		AN		B	Toner motor [Except AR-1118/AR-5316(U.S.A,Canada)]		
	RMOTD0035QSP1	1	AZ		B	Toner motor [Except AR-1118/AR-5316(U.S.A,Canada)]		06/08 R/C
6	XEBS730P10000		AC		C	Screw(3x10)		
7	DUNTK0343RS12		BR		E	LSU[Include No.101] [AR-1118]		
	DUNTK0343RSZZ		BV		E	LSU[Include No.101] [Except AR-1118]		
8	DHAi-0435QSZZ		AQ		C	DEV harness [AR-5316(U.S.A,Canada)]		
	DHAi-0322QSZZ		AS		C	DEV harness [Except AR-5316(U.S.A,Canada)]		
9	XBPS730P06ES0		AA		C	Screw(3x6ES)		
10	CHAi-0109RS52		AN		C	GB-MCFB harness unit		
11	CHAi-0107RS52		AM		C	MC harness unit		
12	MSPRD0104QSZZ		AC		C	HV terminal spring (case)		
13	MSPRD0103QSZZ		AC		C	HV terminal spring (grid)		
14	MSPRD0102QSZZ		AC		C	HV terminal spring (saw)		
15	LHLDZ0038QSC1		AH		C	High voltage terminal holder [AR-5316(U.S.A,Canada)]		
	LHLDZ0038QSZ1		AH		C	High voltage terminal holder [Except AR-5316(U.S.A,Canada)]		
16	XEBS730P08000		AC		C	Screw(3x8)		
18	XEBS730P10000		AC		C	Screw(3x10)		
21	LHLDZ0039QSZZ		AE		C	High voltage terminal holder TC		
22	LPLTM0067QSZZ		AC		C	TC terminal plate		
	LPLTM0067QSZ1	1	AC		C	TC terminal plate		08/02
23	XEBS730P06000		AA		C	Screw(3x6)		
24	DHAi-0106QSZZ		AK		C	BC harness		
25	DHAi-0108QSZZ		AH		C	TC harness		
26	MSPRC0278QSZZ		AC		C	PS pressure spring		
27	XRESP40-06000		AA		C	E type ring(E4)		
28	NSFTZ0021QSP1		AN		C	PS roller shaft		
29	NKOM-0001QSZZ		AD		C	PS collar(φ12)		
30	MSPRD0139QSZZ		AB		C	PS earth spring		
31	XEBS730P06000		AA		C	Screw(3x6)		
33	LBOSZ1508FCZZ		AG		C	Cam boss A2		
34	PPiPP0174FCZZ		AC		C	Pipe C		
35	MSPRC0106QSZZ		AF		C	PS clutch spring		
36	XPSSJ20-07000		AA		C	Spring pin(φ2-7)		
37	NGERH0062QSZZ		AK		C	Clutch gear(32T)		
38	NBRGC0018QSZZ		AD		C	Bearing E		
39	XRESP60-08000		AA		C	E type ring(E6)		
40	NROLP0032QSP2		AT		C	PS transport roller		
41	JKNBZ0010QSZZ		AD		C	PS knob		
42	XBPS730P10KS0		AB		C	Screw(3x10KS)		
	LFRM-0024QSZZ		BC		C	Middle frame		
46	LFRM-0024QSZ5	5	BA		C	Middle frame [With No.102,10-63,101]	DCE582	05/08
	LFRM-0024QSZZ	1	BC	N	C	Middle frame		06/08 R/C
47	LPiNS0007QSZZ		AC		C	DV guide pin [AR-5316(U.S.A,Canada)]		
	LPiNS0301FCZZ		AD		C	DV guide pin (AB series)		
	LPiNS0300FCZZ		AD		C	DV guide pin (Inch series)		
49	PSHEZ0056QSZZ		AC		C	PS rear guide sheet		
51	LANGT0003QSZZ		AC		C	SRU fixing angle [Except AR-5316(U.S.A,Canada)/AR-M205]		
53	TCAUH0021QSZZ		AD		D	Laser caution label (Taiwan)		
	TCAUH0007QSZZ		AD		D	Laser caution label (Other Countries)		
54	LBNDJ0013FCZZ		AE		C	Cable band		
55	LPLTM0302QSZZ		AC		C	CRUM fixing plate [AR-5316(U.S.A,Canada)]		
	LPLTM0149QSZZ		AD		C	Connector fixing plate [Except AR-5316(U.S.A,Canada)]		
56	LX-BZ0020QSPZ		AB		C	Screw		
57	DHAi-0333QSZZ		AL		C	SRU harness		
60	LSTPP0014QSZZ		AC		C	Right door stopper		
61	MSPRD0298QSZZ		AD		C	Stopper spring		
62	LHLDZ0099QSZZ		AC		C	Stopper holder		
63	DHAi-0321QSZZ		AH		C	LSU harness		
64	XEPS730P14X00		AB		C	Screw(3x14X)		
65	XHBS730P06000		AC		C	Screw(3x6)		
	LX-WZ0198FCZZ		AA		C	Poly slider(T=0.13)		
66	LX-WZ0198FCZ1	1	AA		C	Poly slider(T=0.13)		- R/C
67	LX-WZ1003HCZZ		AA		C	Poly slider(T=0.5)		
68	MSPRC0339QSZZ		AD		C	PS brake spring		
69	LPLTM0070QSZZ		AD		C	Process detect SW fixing plate [AR-5316(U.S.A,Canada)]		
70	QSW-B0017QSZZ		AF		B	Tray detect switch [AR-5316(U.S.A,Canada)]		
71	DHAi-0334QSZZ		AG		C	DRUM SW harness [AR-5316(U.S.A,Canada)]		
72	MSPRP0299QSZZ		AC		C	CRUM fixing spring [AR-5316(U.S.A,Canada)]		
73	XBBS730P06000		AC		C	Screw(3x6) [AR-5316(U.S.A,Canada)]		
101	RMOTN0022QSPZ		BL		B	Polygon motor[Contained in No.7]		
102	LPLTM0389QSZZ	5	AK		C	Fusing fixing plate [With No.46,10-63,101]		05/08



## 8 Process unit

NO.	PARTS CODE	Inter-change	PRICE RANK	NEW MARK	PART RANK	DESCRIPTION	TR No.	Effective time
1	XEBS730P10000		AC		C	Screw(3x10)		
2	CHLDZ0035RS55		BG		E	MC holder unit		
3	UCLEZ0009QSZ2		AQ		A	Cleaning blade		
4	CFRM-0021RS6Q		AZ	N	E	Process sub unit [AR-5316(U.S.A,Canada)]		
	CFRM-0021RS6X	3	AY		E	Process sub unit [AR-5316(U.S.A,Canada)]	DCE608	06/09
	CFRM-0021RS6F		BF		E	Process sub unit [AR-5316(Australia,New Zealand,SRS,SRSSC,Indonesia)]		
	CFRM-0021RS6R	3	AX		E	Process sub unit [AR-5316(Australia,New Zealand,SRS,SRSSC,Indonesia)]	DCE608	06/09
	CFRM-0021RS6M		AY		E	Process sub unit [AR-1118]		
	CFRM-0021RS6R	3	AX		E	Process sub unit [AR-1118]	DCE608	06/09
	CFRM-0021RS61		AY		E	Process sub unit (Other Countries)		
5	PSEL-0130QSZZ		AF		C	Seal R		
6	PSEL-0129QSZZ		AF		C	Seal F		
9	NCPL-0003QSZ1		AC		C	Screw coupling		
12	LHLDZ0045QSZZ		AD		C	Starling holder [AR-5316(U.S.A,Canada)/AR-M160/AR-M205/AR-5220]		
	LHLDZ0098QSZZ		AD		C	Pawl holder [Except AR-5316(U.S.A,Canada)/AR-1118/AR-5320]		
13	LX-WZ0329FCZZ		AB		C	Washer [AR-5316(U.S.A,Canada)/AR-M160/AR-M205/AR-5220]		
14	LX-RZ0001QSZZ		AB		C	Starling(φ5) [AR-5316(U.S.A,Canada)/AR-M160/AR-M205/AR-5220]		
15	PTME-0033QSZZ		AK		A	Separator pawl [Except AR-5316(U.S.A,Canada)/AR-1118/AR-5320]		
16	PRNGF0106FCZ2		AC		C	Starling N2 [Except AR-5316(U.S.A,Canada)/AR-1118/AR-5320]		
17	LX-RZ0001QSZZ		AB		C	Starling(φ5) [Except AR-5316(U.S.A,Canada)/AR-1118/AR-5320]		
18	NBRGP0299FCPZ		AD		C	CL bearing(M5)		
19	NSFTZ0020QSZZ		AL		C	Transport screw		
20	PMLT-0018QSZ1		AC		C	Transport screw cushion		
21	PCAPH0009QSZZ		AC		C	Toner pipe cap		
22	NSFTZ0019QSZZ		AE		C	Transport pipe screw		
	NSFTZ0019QSZ1	1	AE		C	Transport pipe screw		08/04 R/C
23	PSPAZ0696FCZZ		AC		C	Pipe cap spacer		
24	PPiPP0005QSZZ		AM		C	Toner pipe		
25	NGERH0039QSZZ		AE		C	Transport pipe gear(14T)		
26	MSPRC0045QSZZ		AA		C	Toner pipe spring		
	MSPRC0045QSZ1	1	AC		C	Toner pipe spring		07/09
27	PSHT-0004QSZ1		AC		C	Toner pipe shutter		
28	NGERH0036QSZZ		AC		C	Transport screw gear(30T)		
29	NGERH0038QSZZ		AC		C	Transport pipe gear(15T)		
30	NGERH0037QSZZ		AC		C	Idle gear(26T)		
31	LFiX-0007QSZ1		AE		C	Drum fixing plate B		
32	PCOVP0093QSZZ		AE		C	Drum cover		
35	PSHEP0135QSZ1		AB		C	MC guide sheet R		
36	PSHEZ0501QSZZ		AD		C	Drum MG sheet A (Except Australia,New Zealand)		
37	PSHEZ0502QSZZ		AD		C	Drum MG sheet B (Except Australia,New Zealand)		
101	PSHEZ0513QSZZ	3	AK		C	Paper dust stirring sheet	DCE608	06/02
102	PTPE-0026QSZZ	3	AA		C	Screw tape	DCE608	06/02
501	CFRM-0021RS5Q		BE	N	E	Process frame unit [AR-5316(U.S.A,Canada)]		
	CFRM-0021RS5X	3	BF		E	Process frame unit [AR-5316(U.S.A,Canada)]	DCE608	06/09
	CFRM-0021RS6G		BF		E	Process frame unit [AR-5316(Australia,New Zealand,SRS,SRSSC,Indonesia)]		
	CFRM-0021RS5R	3	BH		E	Process frame unit [AR-5316(Australia,New Zealand,SRS,SRSSC,Indonesia)]	DCE608	06/09
	CFRM-0021RS6N		BF		E	Process frame unit [AR-1118]		
	CFRM-0021RS5R	3	BH		E	Process frame unit [AR-1118]	DCE608	06/09
	CFRM-0021RS6D		BG		E	Process frame unit (Other Countries)		
	CFRM-0021RS5T	3	BF		E	Process frame unit (Other Countries)	DCE608	06/09

8 Process unit

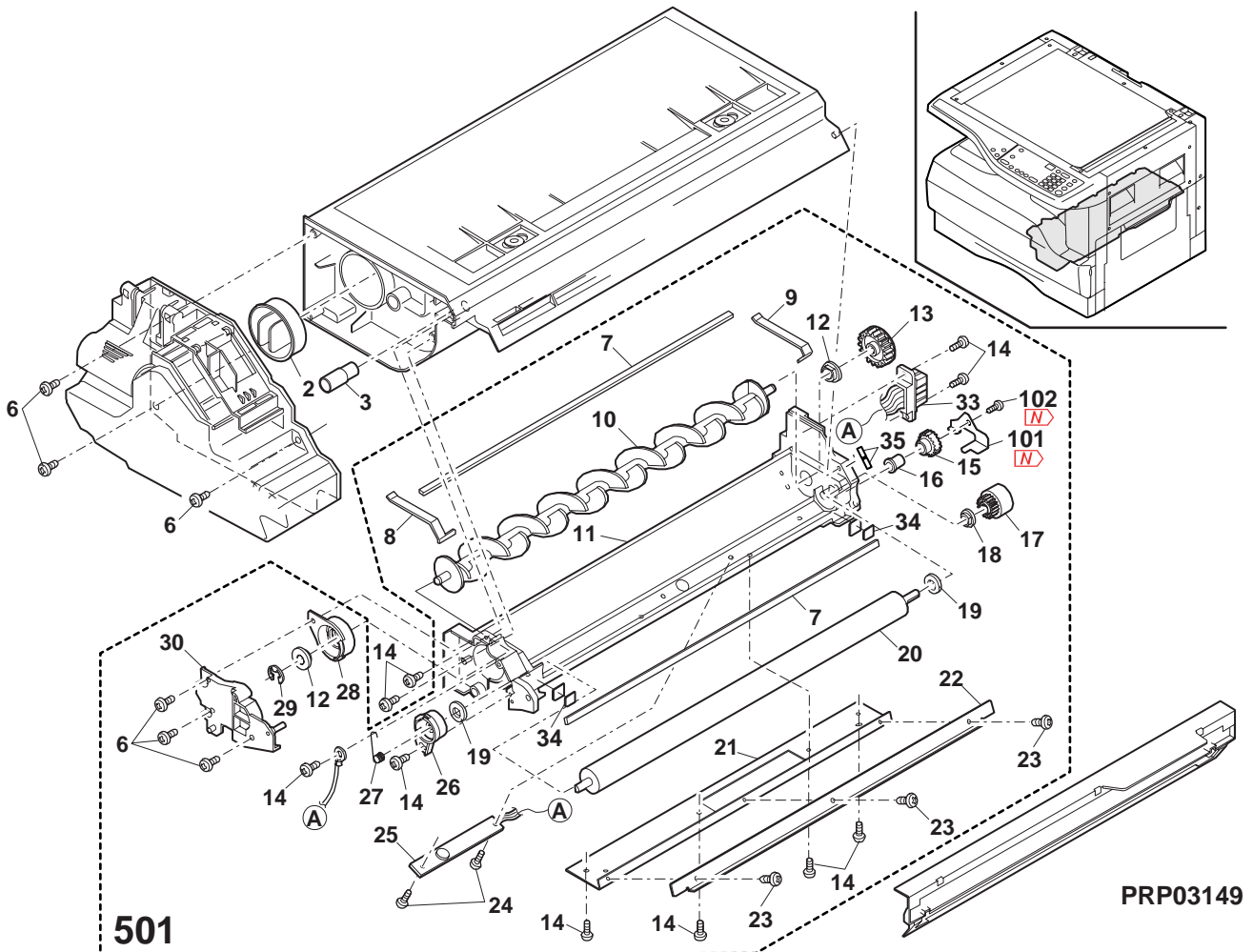




9 DV cartridge unit (AR-5316 U.S.A,Canada)

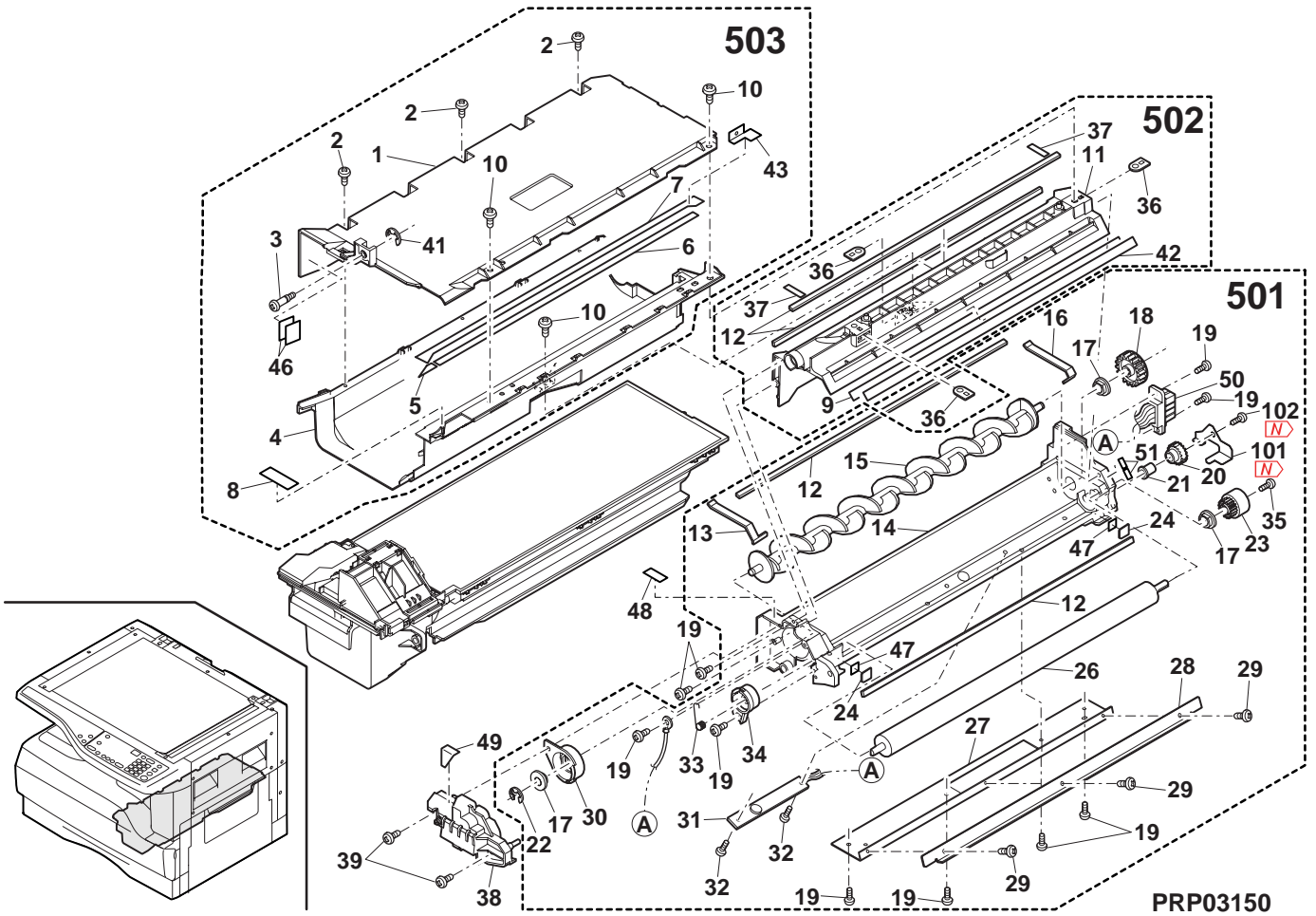
NO.	PARTS CODE	Inter-change	PRICE RANK	NEW MARK	PART RANK	DESCRIPTION	TR No.	Effective time
2	PCAPH0005YSZZ		AD		C	Toner cap		
3	PCAPH0004YSZZ		AC		C	Cap D		
6	XEBS730P10000		AC		C	Screw(3x10)		
7	PMLT-0002YSZ1		AC		C	DV TH cushion		
8	PMLT-0005YSZZ		AB		C	DV side cushion F		
9	PMLT-0006YSZZ		AB		C	DV side cushion R		
10	NROLM0001YSPZ		AP		C	MX roller		
11	PBOX-0001YS12		AM		D	DV box		
12	NBRGC0020QSZZ		AH		C	DV bearing		
13	NGERH0002YSZZ		AD		B	DV gear(28T)		
14	XEBS730P08000		AC		C	Screw(3x8)		
15	NGERH0001YSZZ		AD		C	DV idle gear(20T)		
16	NBRGC0021QSZZ		AD		C	DID bearing		
17	NGERH0028QSZZ		AD		B	DV gear(18T)		
18	NBRGC0387FCZ1		AC		C	Bearing		
19	PMLT-0686FCZZ		AA		C	MG cushion		
20	NROLM0002YSZZ		BA		B	MG roller		
21	LPLTM0002YSZ2		AP		C	Doctor reinforce plate		
22	LPLTM0001YSZZ		AN		B	Doctor		
23	XBPBZ30P04000		AA		C	Screw(3x4)		
24	XUBUZ30P08000		AA		C	Screw(3x8)		
25	RDTCM0017QSZZ		AY		B	ATC sensor		
26	LHLDZ0002YSZZ		AC		C	MG holder		
27	MSPRK0001YSZZ		AB		C	Bias spring		
28	LHLDZ0001YSZZ		AD		C	Bearing holder		
29	XRESP50-06000		AA		C	E type ring(E5)		
30	PCOVP0001YSZZ		AE		C	DV-F side cover		
33	DHAi-0313QS11		AH		C	Sensor harness		
34	PSHEP0035YSZZ		AB		A	DV side sheet N		
35	PSHEG0504QSZZ		AD		C	Sheet		
101	LANGK0018QSZZ	-	AD		C	Reinforcing	DCE625	05/07 mid
102	LX-EZ0001QSZZ	-	AB		C	Screw	DCE625	05/07 mid
501	CBOX-0001JS5J		BL	N	E	DV box unit		

9 DV cartridge unit (AR-5316 U.S.A,Canada)





10 DV cartridge unit (Except AR-5316 U.S.A,Canada)

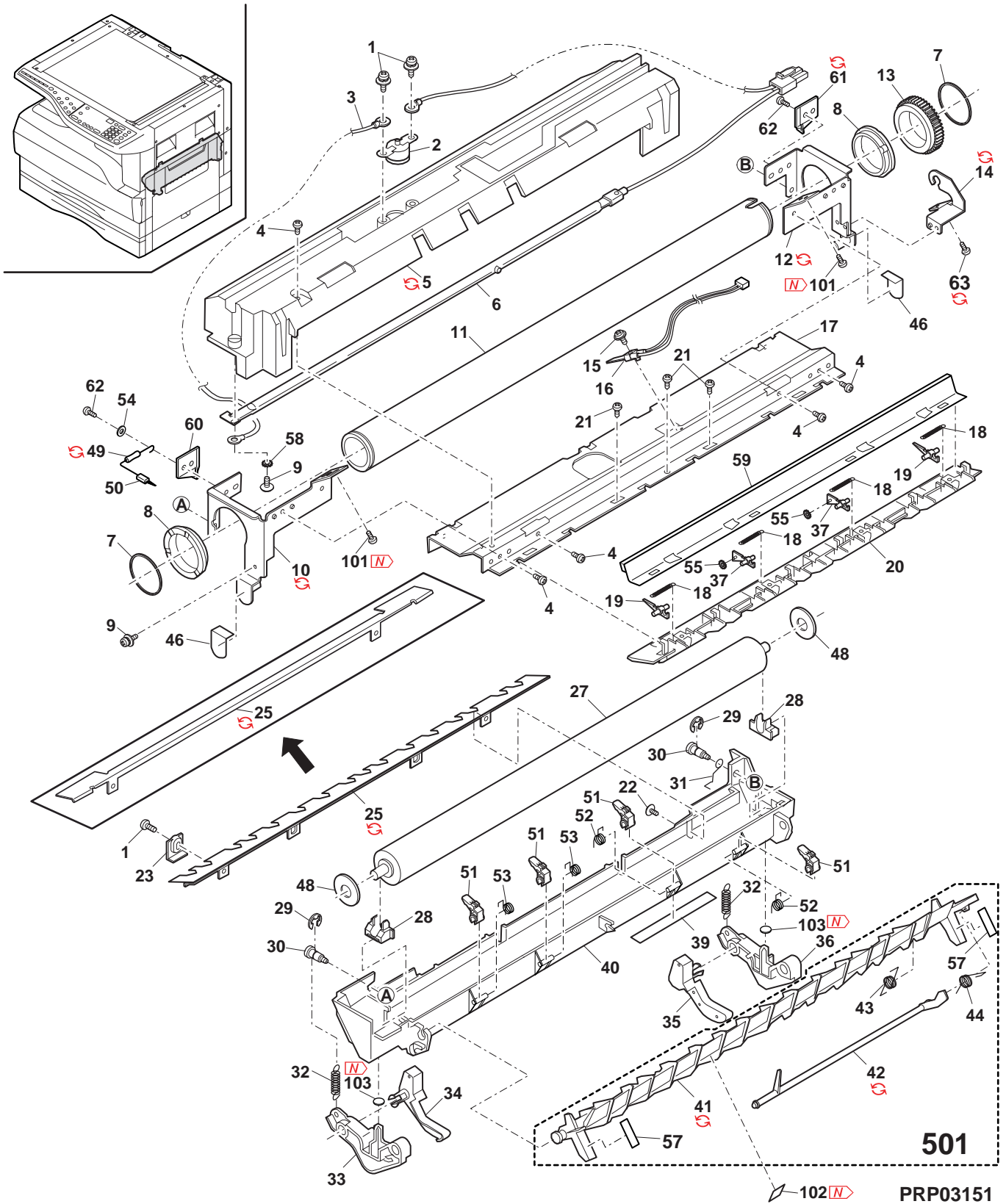


## 11 Fusing unit

NO.	PARTS CODE	Inter-change	PRICE RANK	NEW MARK	PART RANK	DESCRIPTION	TR No.	Effective time
1	XBPS730P06KS0		AB		C	Screw(3x6KS)		
2	RTHM-0001QSZZ		AM		B	Thermostat		
3	DHAi-0184QSZ1		AE		C	Fusing harness		
4	XHBS730P06000		AC		C	Screw(3x6)		
5	PCOVP0029QSZ5		AT		D	Fusing cover [AR-1118/AR-5316/AR-5320]		
	PCOVP0029QSZ6		AT		D	Fusing cover [AR-M160/AR-M205/AR-5220]		
	PCOVP0029QSZ7	1	AT		D	Fusing cover [AR-M160/AR-M205/AR-5220]		07/06 R/C
6	RLMPU0014QSZZ		BA		B	Heater lamp (100V series)		
	RLMPU0018QSZZ		BA		B	Heater lamp (110V series)		
	RLMPU0015QSZZ		BA		B	Heater lamp (120V series)		
	RLMPU0016QSZZ		BA		B	Heater lamp (230V series)		
7	LSTPP0116FCZZ		AA		C	Roller stopper		
8	NBRGP0567FCZZ		AG		A	Fusing bearing		
9	XBPS730P08KS0		AB		C	Screw(3x8KS)		
10	CFRM-0017QS01		AH		C	Fusing frame F		
	CFRM-0017QS03	1	AH		C	Fusing frame F		
11	NROLi0030QSZZ		BC		A	Upper heat roller		08/01 R/C
12	CFRM-0018QS01		AH		C	Fusing frame R		
	CFRM-0018QS03	1	AH		C	Fusing frame R		08/01 R/C
13	NGERH0540FCZ3		AD		B	Fusing gear(45T)		
14	LHLDZ0034QSZZ		AF		C	Lamp holder		
	LHLDZ0034QSZ1	1	AF		C	Lamp holder		08/02
15	XBPS730P10KS0		AB		C	Screw(3x10KS)		
16	RDTCT0005QSZ1		AN		B	Thermistor		
17	LPLTM0050QSZ1		AM		C	Fusing joint plate		
18	MSPRT0086QSZZ		AB		C	Upper pawl pressure spring		
19	PTME-0020GCZ1		AF		A	Separator pawl		
20	PGiDM0034QSZ6		AL	N	C	Fusing rear paper guide		
21	XEBS730P06000		AA		C	Screw(3x6)		
22	XBBS730P06000		AC		C	Screw(3x6)		
23	LPLTP0051QSZZ		AD		C	PG fixing plate		
25	CGiDH0033RS51		AU		C	Fusing front paper guide (Other Countries)		
	PGiDH0131QSZZ	5	AU		C	Fusing front paper guide [Improvement in reliability sake] (Other Countries)	DCE506	04/08
	PGiDH0131QSZ1	1	AU		C	Fusing front paper guide (Other Countries)	DCE562	04/12 R/C
	PGiDH0131QSZ2	1	AU		C	Fusing front paper guide (Other Countries)		06/07
	PGiDH0131QSZ1		AU		C	Fusing front paper guide [AR-1118/AR-5316(U.S.A,Canada,Australia,New Zealand)]		
	PGiDH0131QSZ2	1	AU		C	Fusing front paper guide [AR-1118/AR-5316(U.S.A,Canada,Australia,New Zealand)]		06/07
27	NROLR0031QSP1		BB		A	Pressure roller		
28	NBRGP0260FCZ1		AD		C	Pressure bearing N		
29	XRESP30-06000		AA		C	E type ring(E3)		
30	LX-BZ0013QSP1		AD		C	Screw(3x7)		
31	MSPRP0087QSZZ		AC		C	PG earth spring		
32	MSPRT0303QSZZ		AD		C	Pressure spring B		
33	MLEVP0018QSZ1		AF		C	Fusing pressure lever F		
34	MLEVP0019QSZ3		AE		C	Release lever F		
35	MLEVP0020QSZ3		AE		C	Release lever R		
36	MLEVP0017QSZ1		AF		C	Fusing pressure lever R		
37	PTME-0020GCZ1		AF		A	Separator pawl		
39	TLABH0062QSZZ		AE		D	High temperature caution label		
40	LFRM-0036QSZ2		AS		C	Fusing lower frame		
41	LPLTP0060QSZ4		AM	N	C	Reverse gate		
	LPLTP0060QSZ5	1	AM	N	C	Reverse gate		06/04
42	MLEVP0026QSZ2		AE		C	DMC actuator		
	MLEVP0026QSZ3	1	AE	N	C	DMC actuator		06/06 R/C
43	MSPRD0117QSZZ		AB		C	Rotation spring		
44	MSPRD0118QSZ1		AB		C	Actuator return spring		
46	PSHEZ0105QSZZ		AC		C	Fusing sheet		
48	LX-WZ0313FCZZ		AA		C	Washer		
49	VRH-ST2HB157K		AD		C	Resistor(1/2W 150MΩ ±10%)		
	VRHRST2HB157K	3	AD		C	Resistor(1/2W 150MΩ ±10%) [Unleaded solder correspondence]		06/03
50	PBRSR0004QSZ1		AD		B	Discharge brush		
51	PTME-0014QSZZ		AK		A	Lower separator pawl		
52	MSPRD0122QSZZ		AB		C	Separator pawl spring R		
53	MSPRD0121QSZZ		AB		C	Separator pawl spring F		
54	XWHS730-05070		AA		C	Washer		
55	LX-WZ0001QSZZ		AC		C	Separator pawl washer		
57	TLABH0364QSZZ		AA		D	Green label		
58	LX-WZ7021SCPZ		AA		C	Washer		
59	CPLTM0255QS01		AS		C	FU felt fixing plate		
60	PGiDM0102QSZZ		AD		C	Fusing front guide F [Except AR-5316(U.S.A,Canada)/(Saudi Arabia)]		
	PGiDM0103QSZZ		AD		C	Fusing front guide R [Except AR-5316(U.S.A,Canada)/(Saudi Arabia)]		
61	PGiDM0103QSZ1	3	AD		C	Fusing front guide R [Productivity improvement] [Except AR-5316(U.S.A,Canada)/(Saudi Arabia)]		07/01 R/C
62	XHBS730P08000		AB		C	Screw(3x8)		
63	XEBS740P12000		AA		C	Screw(4x12)		
	XEBS740P14000	5	AB		C	Screw(4x14) [With No.101,7-46,102]		05/08
101	LX-BZ0080QSZZ	5	AC		C	Fusing fixing screw [With No.63,7-46,102]		05/08

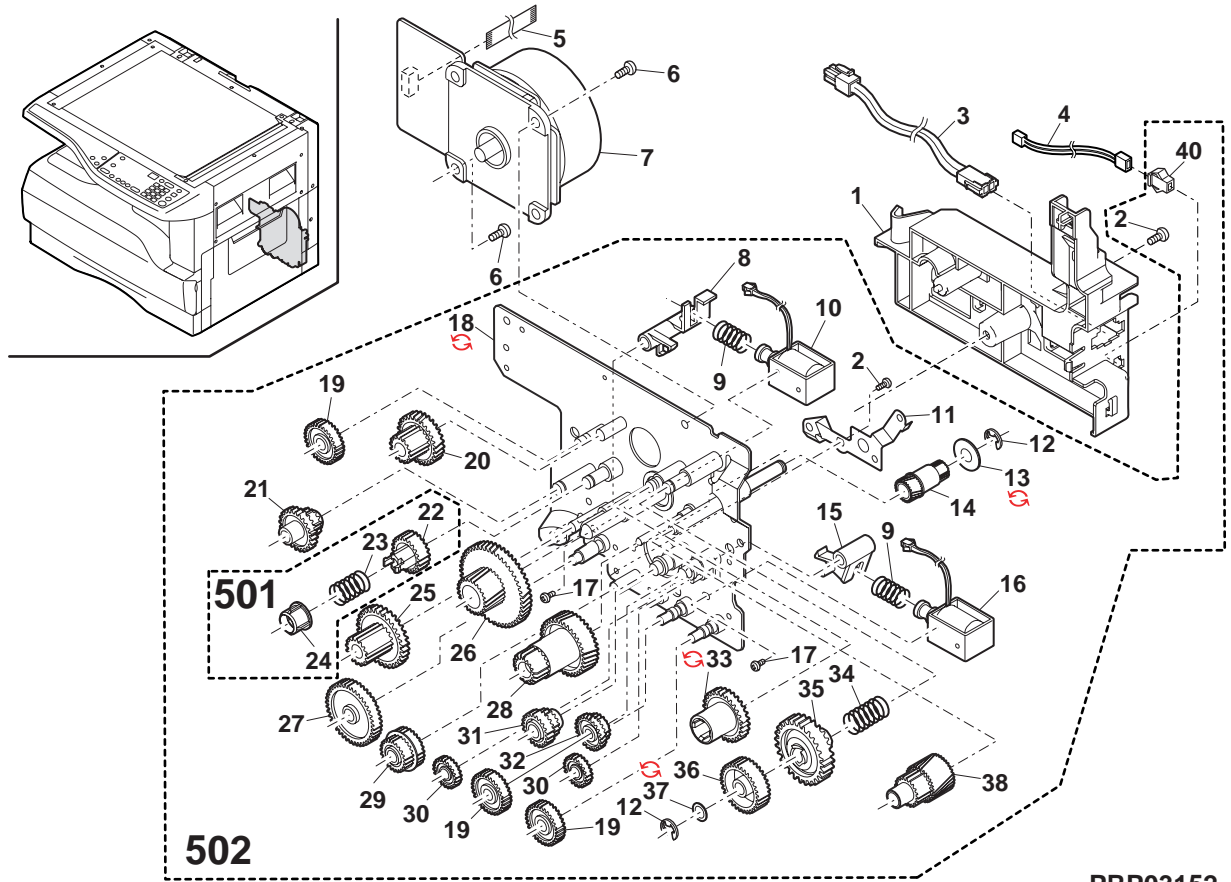


11 Fusing unit





12 Main driving unit



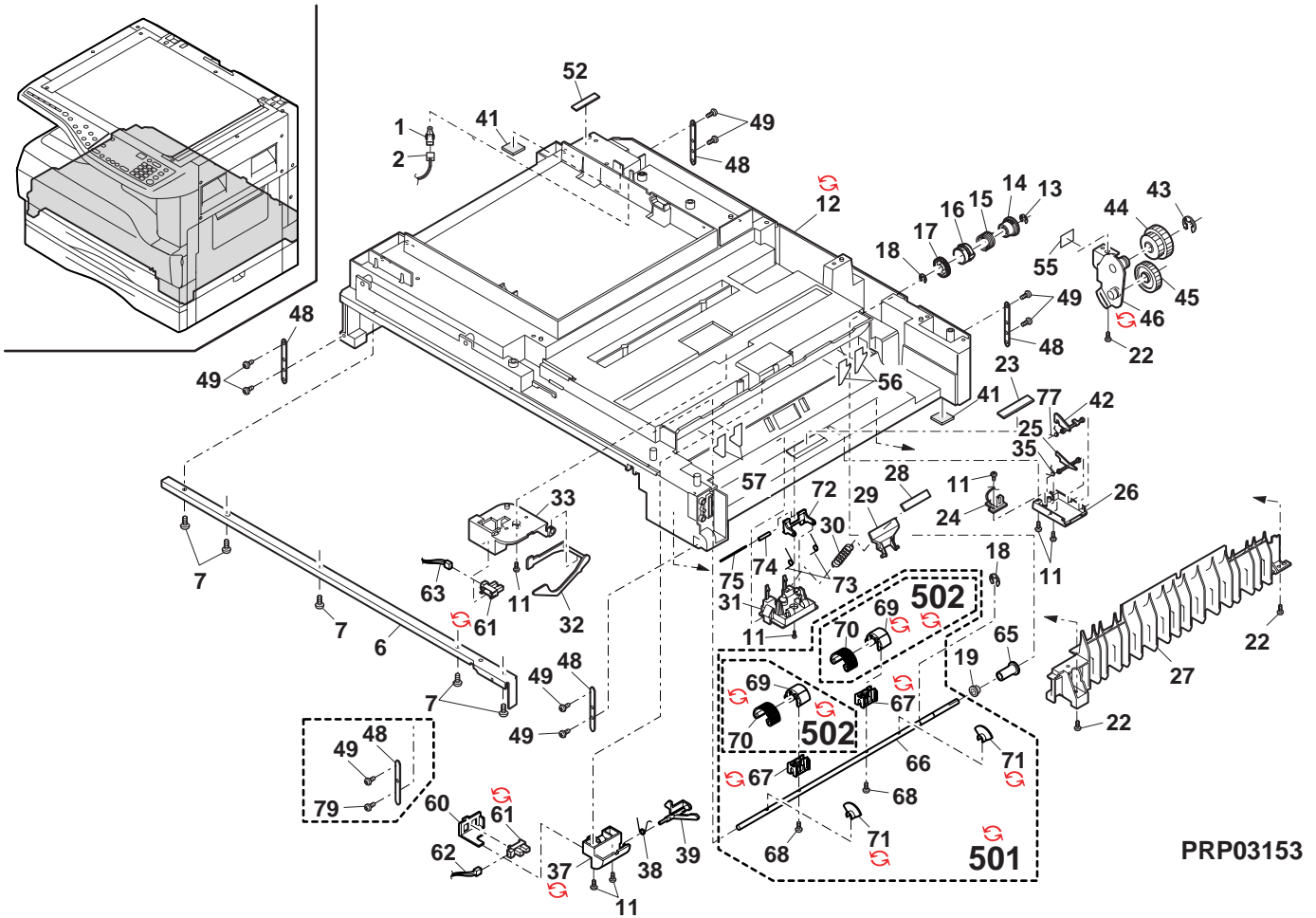
PRP03152



## 13 Base plate unit 1

NO.	PARTS CODE	Inter-change	PRICE RANK	NEW MARK	PART RANK	DESCRIPTION	TR No.	Effective time
1	QSW-B0017QSZZ		AF		B	Tray detect switch		
2	DHAi-0315QSZZ		AD		C	Tray SW harness		
6	LPLTM0065QSZZ		AL		C	Base reinforce plate F		
7	XEPS740P12000		AB		C	Screw(4x12)		
11	XEBS730P08000		AC		C	Screw(3x8)		
12	GDAi-0002QSE1		BF		D	Base plate		
12	GDAi-0002QSE2	1	BF		D	Base plate		- R/C
13	XRESP40-06000		AA		C	E type ring(E4)		
14	LBOSZ1031FCZZ		AC		C	Clutch boss		
15	MSPRC0161QSZZ		AF		C	Clutch spring		
16	PPiPP0006QSZZ		AD		C	Clutch sleeve		
17	NGERH0060QSZZ		AH		C	Clutch gear(34T)		
18	XRESP50-06000		AA		C	E type ring(E5)		
19	NBRGP0007QSZZ		AD		C	Bearing(φ6)		
22	XEBS740P12000		AA		C	Screw(4x12)		
23	PSHEZ0133QSZZ		AD		C	Paper feeding sheet		
24	CPWBF0147QSE4		AL		E	Manual paper feeding sensor PWB		
25	MLEVP0023QSZZ		AE		C	MF sensor actuator		
26	PCOVP0033QSZ1		AF		C	Manual feed sensor cover		
27	LRALP0014QSEZ		AM		C	Base plate rail R		
28	PSHEZ0378QSZZ		AG		C	Sheet		
29	LPLTP0348QSZZ		AC		C	Pressure plate		
30	MSPRC0301QSZZ		AD		C	Pressure plate spring		
31	PFTA-0018QSZZ		AE		C	Pressure plate cover		
32	MLEVP0024QSZZ		AF		C	Sensor lever ACT		
33	LDAiS0029QSZZ		AD		C	Sensor base		
35	MSPRD0233QSZ1		AC		C	MF actuator spring		
37	LHLDZ0100QSZZ		AD		C	PS holder		
37	LHLDZ0100QSZ1	3	AE		C	PS holder [Form change]	DCE619	06/01 R/C
38	MSPRD0300QSZZ		AD		C	PS front actuator spring		
39	MLEVP0091QSZZ		AD		C	PS front actuator		
41	GLEGG0064FCZZ		AC		C	Rubber foot		
42	MLEVP0044QSZZ		AE		C	MF sensor actuator 2		
43	XRESP70-08000		AA		C	E type ring(E7) [AR-5320/AR-M160/AR-M205/AR-5220]		
44	NGERH0078QSZZ		AE		C	Joint gear(39/33T) [AR-5320/AR-M160/AR-M205/AR-5220]		
45	NGERH1169FCZZ		AF		C	2nd Joint gear [AR-5320/AR-M160/AR-M205/AR-5220]		
46	CPLTM0114QS01		AG		B	Joint gear fixing plate [AR-5320/AR-M160/AR-M205/AR-5220]		
46	CPLTM0114QS02	3	AG		B	Joint gear fixing plate [Unleaded correspondence] [AR-5320/AR-M160/AR-M205/AR-5220]		05/04
48	LPLTM0112QSZZ		AE		C	Adjustment plate [AR-5320/AR-M205]		
49	XEBSE40P14000		AA		C	Screw [AR-5320/AR-M205]		
52	LPLTM0125QSZZ		AD		C	Blind plate		
55	PSPAZ0024QSZZ		AB		C	2nd joint spacer [AR-5320/AR-M160/AR-M205/AR-5220]		
56	PSHEZ0187QSZZ		AB		C	PS guide sheet R [AR-M205]		
57	PSHEZ0186QSZZ		AB		C	PS guide sheet F [AR-M205]		
60	PCOVP0091QSZZ		AC		C	PS sensor cover		
61	VHPGP1S73P+-1		AF		B	Photo transistor		
61	VHPGP1S73P+-18	3	AF		B	Photo transistor [Unleaded solder correspondence]		06/03
62	DHAi-0318QSZZ		AE		C	Pin harness		
63	DHAi-0316QSZZ		AE		C	CAS EMP harness		
65	PCLR-0010QSZZ		AC		C	Collar		
66	NSFTZ0066QSPZ		AP		C	Roller shaft		
67	LHLDR0095QSZZ		AD		C	Paper feed roller holder		
67	LHLDR0095QSZ1	1	AD		C	Paper feed roller holder		08/02 mid
68	XEBS730P12000		AC		C	Screw(3x12)		
69	LBRRC0011QSZZ		AD		C	Paper feed roller bracket		
69	LBRRC0011QSZ1	1	AD		C	Paper feed roller bracket		08/02 mid
70	PGUMM0013QSZZ		AG		C	Paper feed roller rubber [AR-1118/AR-5316(U.S.A,Canada,Australia, New Zealand,Europe,Philippines,Iran)]		
70	PGUMM0012QSZZ		AG		C	Paper feed roller rubber (Other Countries)		
71	PCLR-0011QSZZ		AC		C	Roller collar		
71	PCLR-0011QSZ1	1	AC		C	Roller collar		08/02 mid
72	LBRRC-0012QSZZ		AD		C	Collar bracket		
73	MSPRD0332QSZ1		AB		C	Collar spring		
74	NKOM-0009QSZZ		AC		C	Manual paper collar		
75	NSFTZ0064QSZZ		AD		C	Roller shaft		
77	MSPRD0148QSZZ		AB		C	Manual feed sensor spring		
79	XEBSE40P12000		AA		C	Screw(4x12) [AR-M160 only]		
501	CSFTZ0066RS73		AV		E	Paper feeding shaft unit [AR-1118/AR-5316(U.S.A,Canada,Australia, New Zealand,Europe,Philippines,Iran)]		
501	CSFTZ0066US73	1	AX		E	Paper feeding shaft unit [AR-1118/AR-5316(U.S.A,Canada,Australia, New Zealand,Europe,Philippines,Iran)]		07/06
501	CSFTZ0066RS71		AU		E	Paper feeding shaft unit (Other Countries)		
502	CGUMM0013RS51		AN		E	Paper feed roller rubber unit [AR-1118/AR-5316(U.S.A,Canada,Australia, New Zealand,Europe,Philippines,Iran)]		
502	CGUMM0013US51	1	AP		E	Paper feed roller rubber unit [AR-1118/AR-5316(U.S.A,Canada,Australia, New Zealand,Europe,Philippines,Iran)]		07/06
502	CGUMM0012RS51		AQ		E	Paper feed roller rubber unit (Other Countries)		

13 Base plate unit 1



## 14 Base plate unit 2

NO.	PARTS CODE	Inter-change	PRICE RANK	NEW MARK	PART RANK	DESCRIPTION	TR No.	Effective time
1	LSOU-0036QSZ1		BB		D	Delivery tray [AR-1118/AR-5316/AR-5320]		
	LSOU-0036QSZ3	1	BB		D	Delivery tray [AR-1118/AR-5316/AR-5320]		- R/C
	LSOU-0036QSZZ		BA		D	Delivery tray [AR-M160/AR-M205/AR-5220]		
2	LSOU-0036QSZ2	1	BA		D	Delivery tray [AR-M160/AR-M205/AR-5220]		- R/C
	GCAB-0069QSZZ		AT		D	Delivery rear cover		
3	GCAB-0069QSZ1	1	AT		D	Delivery rear cover		- R/C
	XEBS740P10000		AA		C	Screw(4x10)		
5	CPWBF0114QSE6		BA		E	IF PWB [AR-M160/AR-M205/AR-5220]		
	CPWBF0114QSE3		BA		E	IF PWB [AR-1118/AR-5316/AR-5320]		
6	NFANP0010QSZZ		AS		B	PS fan		
7	XBPS730P32KS0		AC		C	Screw(3x32KS)		
8	RDENC0010QS12		BN		E	Low voltage power supply unit (100V series)		
	RDENC0010QS14		BN		E	Low voltage power supply unit (110V series)		
	RDENC0010QSZZ		BN		E	Low voltage power supply unit (120V series)		
	RDENC0010QS13		BN		E	Low voltage power supply unit (127V series)		
	RDENC0010QS11		BQ		E	Low voltage power supply unit (230V series)		
9	DUNTK0347RS11		AS		E	AC switch unit		
10	XBPS730P08KS0		AB		C	Screw(3x8KS)		
11	RDENC0017QSZZ		BE		E	High voltage power supply unit		
	RDENC0017QSZ1	1	BU	N	E	High voltage power supply unit [Except Taiwan,South Africa]		07/10
12	LPLTM0082QSZ7		AF		C	PS PWB fixing plate		
13	XHBS730P06000		AC		C	Screw(3x6)		
14	LFRM-0067QSZZ		AK		C	Corner frame FL		
15	XEBS740P12000		AA		C	Screw(4x12)		
16	LFRM-0068QSZZ		AQ		C	Corner frame RL		
	LFRM-0068QSZ2	5	AP		C	Corner frame RL [With No.40,No.61]		04/07 R/C
	LFRM-0068QSZ1	3	AQ		C	Corner frame RL [Productivity improvement]		04/11
17	XBPSN40P06K00		AA		C	Screw(4x6K)		
18	PHOG-1023CCZZ		AB		B	Plug protector (South Africa,India,SRH)		
	QPLGA0001QCZZ		AN		B	3pin plug (Special Country)(16A/250V)		
	QPLGA0002QCZZ		AN		B	Plug (Saudi Arabia)(125V)		
	QPLGA0003QCZZ		AN		B	Plug (SRS/SRSSC,Indonesia)(13A/250V)		
	QPLGA0009QCZZ		AS		B	Plug (SRH)(220V)		
	QPLGA4171CCZZ		AN		B	Plug (South Africa,India)		
	QACCCR614QCPZ		AW		B	AC cord (100V)		
	QACCCR614QCPA	3	AW		B	AC cord [Specification change](100V)		07/12 R/C
	QACCCR423QCPZ	4	BC		B	AC cord [Specification change](Philippines)		08/04
	QACCCR614QCPZ		AS		B	AC cord (120V)		
	QACCCR411QCPZ		AW		B	AC cord (Taiwan)		
	QACCCR624QCPZ		AW		B	AC cord (Europe,Lebanon,Iran,Nigeria,West Africa,Algeria,Egypt, Jordan,Syria,Tunisia,Morocco,STCL)(230V)		
	QACCBR421QCPZ		AZ		B	AC cord (U.Kingdom,Saudi Arabia,Yemen,Oman,Qatar,Lebanon,Kuwait,UAE)(230V)		
	QACCLR421QCPZ		AW		B	AC cord (Australia,New Zealand)(230V)		
	QACCLR7421QCZZ		AY		B	AC cord [AR-5220(LAG4)](10A/250V)		
DHAi-0167QSZZ		BA		B	AC cord (Saudi Arabia)(127V)			
21	LPLTM0308QSZZ		AL		C	Corner frame reinforce plate		
22	GDAi-0002QSE1		BF		D	Base plate		
23	GDAi-0002QSE2	1	BF		D	Base plate		- R/C
	LFRM-0025QSZ3		AH		C	Corner frame FR		
24	LPLTM0099QSZ2		AK		C	Corner frame R reinforce plate		
25	LFRM-0026QSZ2		AN		C	Corner frame RR		
26	XHBS730P14000		AA		C	Screw(3x14)		
27	XEBS730P10000		AC		C	Screw(3x10)		
28	LX-BZ0700FCPZ		AB		C	Screw(4x12) [AR-M160/AR-5220]		
29	XHBS730P08000		AB		C	Screw(3x8)		
30	CPLTM0071QS02		AL		C	Drive joint plate [AR-M160/AR-5220]		
	CPLTM0071QS03	3	AF		C	Drive joint plate [Unleaded correspondence][AR-M160/AR-5220]		05/04
31	LPLTM0311QSZZ		AD		C	Earth plate [AR-1118/AR-5316/AR-5320]		
	LPLTM0347QSZZ		AG		C	Net box fixing plate [AR-M160/AR-M205/AR-5220]		
32	XHBSD30P08000		AA		C	Screw(3x8) [AR-M160/AR-5220]		
33	LX-BZ0031QSPZ		AE		C	Screw		
	LX-BZ0090QSPZ	1	AE		C	Screw		07/09
34	LANGT0014QSZZ		AF		C	MCU PWB fixing plate		
35	LX-BZ0750FCPZ		AA		C	Screw(3x6)		
	LX-BZ0088QSPZ	1	AA		C	Screw(3x6)		07/09
36	NBLTT0007QSZZ		AH		B	Delivery roller drive belt		
37	CPWBX0128QS3K		CF	N	E	MCU PWB [AR-5316(U.S.A,Canada)]		
	CPWBX0128QS1K	1	CE	N	E	MCU PWB [AR-5316(U.S.A,Canada)]		06/06
	CPWBX0128QSAK	1	CE	N	E	MCU PWB [AR-5316(U.S.A,Canada)]		07/03 R/C
	CPWBX0128QS3N		CE	N	E	MCU PWB [AR-5316(Australia,New Zealand)]		
	CPWBX0128QS1N	1	CE	N	E	MCU PWB [AR-5316(Australia,New Zealand)]		06/06
	CPWBX0128QSAN	1	CE	N	E	MCU PWB [AR-5316(Australia,New Zealand)]		07/03 R/C
	CPWBX0128QS37		BZ		E	MCU PWB [AR-5316(Other Countries)]		
	CPWBX0128QS17	1	CE	N	E	MCU PWB [AR-5316(Other Countries)]		06/06
	CPWBX0128QSA7	1	CE	N	E	MCU PWB [AR-5316(Other Countries)]		07/03 R/C
	CPWBX0128QS3H		BZ	N	E	MCU PWB [AR-1118]		
	CPWBX0128QS38		BZ		E	MCU PWB [AR-5320]		
	CPWBX0128QS18	1	CE	N	E	MCU PWB [AR-5320]		06/06
CPWBX0128QSA8	1	CE	N	E	MCU PWB [AR-5320]		07/03 R/C	

## 14 Base plate unit 2

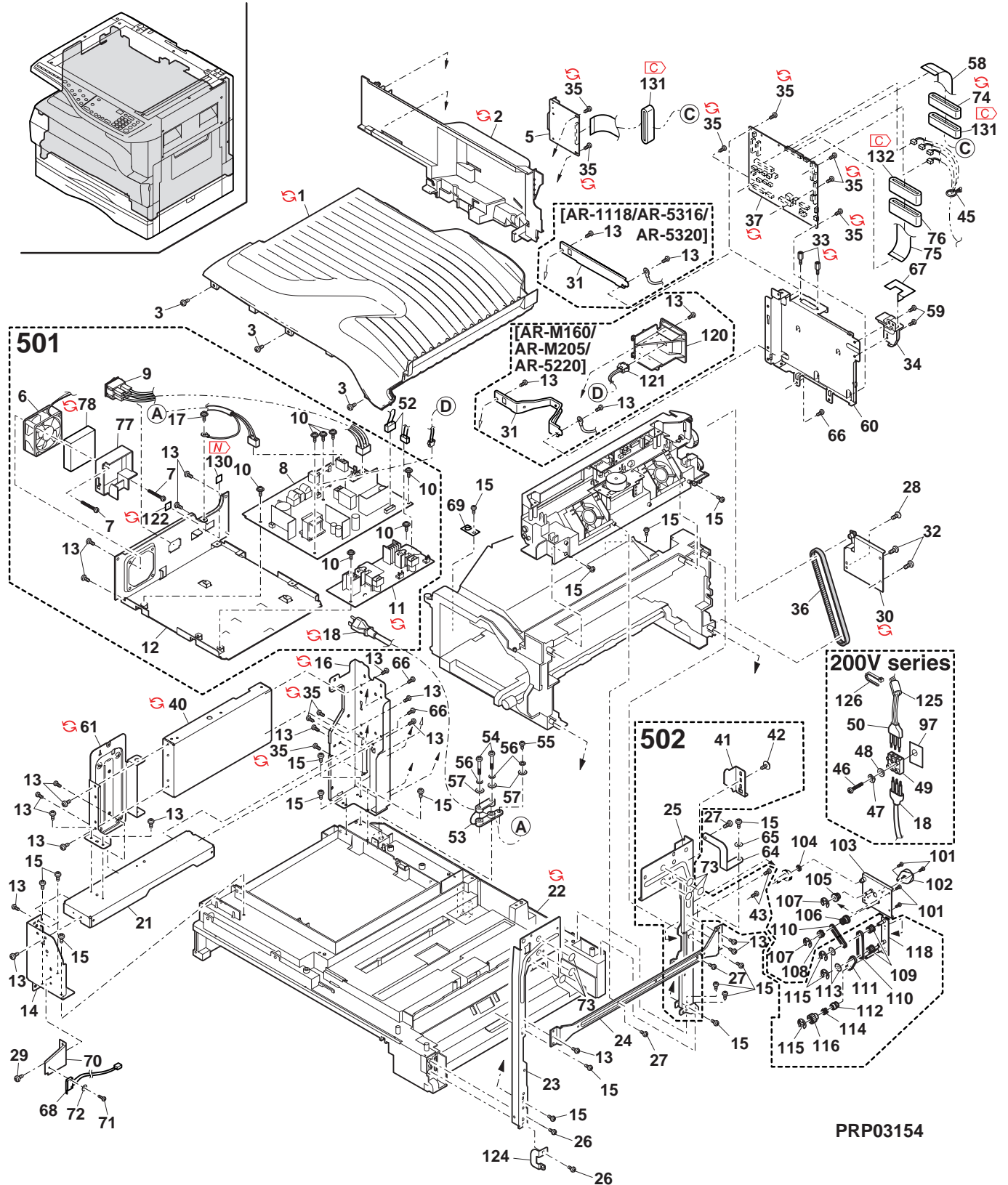
NO.	PARTS CODE	Inter-change	PRICE RANK	NEW MARK	PART RANK	DESCRIPTION	TR No.	Effective time
37	CPWBX0128QS31		CA		E	MCU PWB [AR-M160]		
	CPWBX0128QS11	1	CE	N	E	MCU PWB [AR-M160]		06/06
	CPWBX0128QSA1	1	CE	N	E	MCU PWB [AR-M160]		07/03 R/C
	CPWBX0128QS32		CA		E	MCU PWB [AR-M205]		
	CPWBX0128QS12	1	CE	N	E	MCU PWB [AR-M205]		06/06
	CPWBX0128QSA2	1	CE	N	E	MCU PWB [AR-M205]		07/03 R/C
	CPWBX0128QS33		CA		E	MCU PWB [AR-5220]		
	CPWBX0128QS13	1	CE	N	E	MCU PWB [AR-5220]		06/06
	CPWBX0128QSA3	1	CE	N	E	MCU PWB [AR-5220]		07/03 R/C
40	LPLTM0307QSZZ		AL		C	Delivery left cover		
	LPLTM0307QSZZ	5	AL		C	Delivery left cover [With No.16, No.61]		04/07 R/C
41	LPLTM0309QSZZ		AE		C	Optical adjustment plate		
42	LX-BZ0039QSPZ		AB		C	Screw(4x10)		
43	XHBS730P08000		AB		C	Screw(3x8) [AR-M205]		
45	LHLDW0086QSZZ		AB		C	Harness ring		
46	XEBS730P18000		AB		C	Screw(3x18) (200V series)		
47	XWSS730-07000		AA		C	Washer (200V series)		
48	XWHS730-05080		AA		C	Washer (200V series)		
49	QTANN0015FCZZ		AG		C	3P terminal base (200V series)		
50	DHAi-0140QSZ1		AH		C	AC harness (200V series)		
52	DHAi-0320QSZZ		AN		C	PS harness		
53	LFI X-0016FCZZ		AD		C	AC cord holder		
54	XEPS740P30000		AC		C	Screw(4x30)		
55	XEBS740P12000		AA		C	Screw(4x12)		
56	XWSS740-10000		AA		C	Washer		
57	XWHS740-08100		AA		C	Washer		
58	DHAi-0328QSZZ		AH		C	GDI-MCU harness		
59	XEBS730P06000		AA		C	Screw(3x6)		
60	LPLTM0310QSZZ		AP		C	MCU fixing plate		
61	LPLTM0306QSZZ		AL		C	Optical reinforce plate		
	LPLTM0306QSZ1	5	AL		C	Optical reinforce plate [With No.40, No.16]		04/07 R/C
64	PSHEZ0135QSZZ		AC		C	Driving plate sheet		
65	XWHS740-08100		AA		C	Washer		
66	XEBS730P08000		AC		C	Screw(3x8)		
67	PSHEZ0421QSZZ		AC		C	MCU edge protect sheet		
68	CSW-M0007RS55		AS		B	Interlock switch unit		
69	PSHEZ0408QSZZ		AC		C	Interlock switch maintenance sheet		
70	LPLTM0303QSZZ		AE		C	Interlock switch fixing plate		
71	XBPS720P09000		AB		C	Screw(2x9)		
72	XWHS720-04043		AA		C	Washer		
73	PSHEZ0448QSZZ		AA		C	Optical base plate bottom sheet A		
74	RCORF0026QSZZ		AE		C	IF FFC core (Except Taiwan)		
	RCORF0026QSPZ	3	AE		C	IF FFC core [Unleaded correspondence](Except Taiwan)		06/02
75	DHAi-0342QSZZ		AG		C	CCD harness		
76	RCORF0018QSZZ		AR		C	Ferrite core		
77	PDUC-0006QSZZ		AF		C	Duct		
78	PFI LZ0013QSZZ		AR		A	Ozone filter		
	PFI LZ0013QSZ1	1	AR	N	A	Ozone filter		07/04 R/C
	PFI LZ0021QSZZ	1	AR		A	VOC ozone filter		08/02
97	PSHEZ0140QSZ1		AE		C	3P terminal base sheet (200V series)		
101	XHBSD30P08000		AA		C	Screw(3x8)		
102	RMOTS0050QSZZ		AT		B	DUP motor [AR-M205]		
103	CPLTM0073QS01		AM		B	DUP motor fixing plate [AR-M205]		
104	NBRGC0529FCZZ		AD		C	Bearing [AR-M205]		
105	NGERH0065QSZZ		AC		C	Gear(21-28T) [AR-M205]		
106	NGERH0064QSZZ		AD		C	Gear pulley(40T24T) [AR-M205]		
107	XRESP40-06000		AA		C	E type ring(E4) [AR-M205]		
108	NGERH0075QSZZ		AC		C	Gear(20T) [AR-M205]		
109	NPLYZ0011QSZZ		AC		C	Pulley [AR-M205]		
110	NBLTT0009QSZZ		AG		B	DUP driving belt(134) [AR-M205]		
111	NBLTT0008QSZZ		AG		B	DUP roller driving belt [AR-M205]		
112	NPLYZ0008QSZZ		AC		C	Pulley(S2M20T) [AR-M205]		
113	PSHEZ0065QSZZ		AB		C	Pulley flange sheet [AR-M205]		
114	MSPRC1315FCZ1		AD		C	Clutch spring A [AR-M205]		
115	XRESP40-06000		AA		C	E type ring(E4) [AR-M205]		
116	NGERH0066QSZZ		AD		C	Gear(17T) [AR-M205]		
118	CPLTM0103QS02		AF		B	DUP driving idle plate [AR-M205]		
120	LHLDZ0110QSZZ		AG		C	Connector holder [AR-M160/AR-M205/AR-5220]		
121	DHAi-0403QSZZ		AG		C	NWAC I/F 1 harness [AR-M160/AR-M205/AR-5220]		
122	TLABZ4868FCZZ		AC		D	Earth label (200V series)		
	TLABZ4868FCZ1	1	AB	N	D	Earth label (200V series)		06/12
124	LPLTM0360QSZZ		AC		C	Earth plate		
125	RCORF0004QSZZ		AF		C	Core (200V series)		
126	LBJND0037FCZ1		AA		C	Band (200V series)		
130	TLABP0719QSZZ	-	AD	N	D	Connection display label		07/03
131	RCORF0027QSZZ	-	AN		C	IF FFC core (Taiwan)		1st lot
132	RCORF0018QSZZ	-	AR		C	Ferrite core (Taiwan)		1st lot
501	CDENC0010RS59		BV		E	Power supply unit(Without No.13,17,18,122) (110V series)		
	CDENC0010RS63		BW		E	Power supply unit(Without No.13,17,18,122) (120V series)		



14 Base plate unit 2

NO.	PARTS CODE	Inter-change	PRICE RANK	NEW MARK	PART RANK	DESCRIPTION	TR No.	Effective time
501	CDENC0010RS66		BU		E	Power supply unit(Without No.13,17,18,122) (127V series)		
	CDENC0010RS52		BX		E	Power supply unit(Without No.13,17,18,122) (230V series)		
	CDENC0010RS64		BX		E	Power supply unit(Without No.13,17,18,122) (230V series)		
502	DUNT-0341RSZZ		AV		E	Corner frame RR unit [AR-5316/AR-5320/AR-M160/AR-5220]		
	DUNT-0341RS11		AU		E	Corner frame RR unit [AR-1118]		
	DUNT-0342RSZZ		AZ		E	Corner frame RR unit [AR-M205]		

14 Base plate unit 2

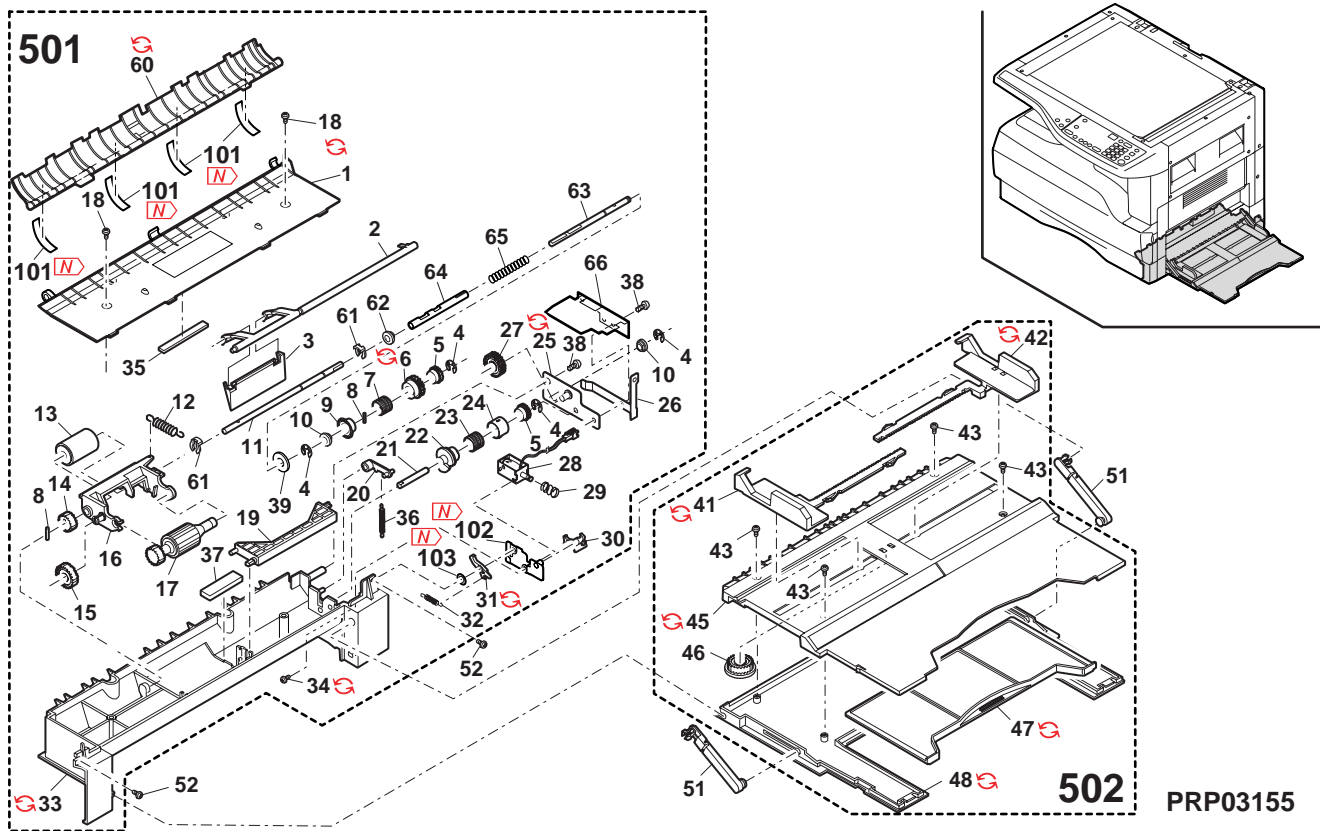


PRP03154

## 15 Manual paper feeding multi unit

NO.	PARTS CODE	Inter-change	PRICE RANK	NEW MARK	PART RANK	DESCRIPTION	TR No.	Effective time
1	PCOVP0098QSZZ		AN		C	Multi frame cover		
	PCOVP0098QSZ1	1	AN		C	Multi frame cover		- R/C
2	MARMP0008QSZZ		AH		C	Stopper arm		
3	LPLTP0056QSZ3		AD		C	Stopper plate		
4	XRESP40-06000		AA		C	E type ring(E4)		
5	LBOSZ1510FCZZ		AF		C	Cam boss A1		
6	PPiPP0109FCZZ		AB		C	Pipe A		
	PPiPP0109FCZ1	1	AC		C	Pipe A		06/04
7	MSPRC1315FCZ1		AD		C	Clutch spring A		
8	XPSSJ20-07000		AA		C	Spring pin(φ2-7)		
9	LBOSZ1508FCZZ		AG		C	Cam boss A2		
10	LBSHZ0303FCZZ		AC		C	M bushing C		
11	NSFTZ0069QSPZ		AN		C	Roller shaft F		
12	MSPRT0091QSZZ		AC		C	Roller arm spring		
13	NRÖLR0922FCZ2		AR		A	Manual paper feed roller		
14	NGERH0495FCZZ		AC		C	Gear(20T)		
15	NGERH0061QSZZ		AD		C	Gear(24T)		
16	MARMP0009QSZ1		AF		C	Roller arm		
17	NRÖLR1267FCZ1		AH		A	Manual feed pick up roller		
18	XEBS730P10000		AC		C	Screw(3x10)		
19	MARMP0041QSZZ		AE		C	Cam transmission arm		
20	MARMP0006QSZZ		AD		C	Arm		
21	NSFTZ0017QSPZ		AM		C	Manual feed cam shaft		
22	MCAMP0001QSZZ		AF		C	Drive cam		
23	MSPRC1316FCZ1		AE		C	Clutch spring B		
24	PPiPP0009QSZZ		AD		C	Cam clutch sleeve		
25	CPLTM0304QS02		AD		C	Cpl feeding joint plate		
	CPLTM0304QS03	1	AD		C	Paper feeding joint plate		08/07
26	MSPRD0092QSZZ		AE		C	MF earth spring		
27	NGERH0972FCZZ		AB		C	Gear(27T)		
28	RPLU-0007QSZ1		AM		B	Multi feeding solenoid		
29	MSPRC1318FCZ1		AA		C	Spring B		
30	PTME-0179FCZZ		AC		C	Manual paper feeding pawl B		
31	PTME-0178FCZZ		AC		C	Manual paper feeding pawl A		
	PTME-0178FCZ1	1	AC		C	Manual paper feeding pawl A		06/04
32	MSPRC2175FCZZ		AA		C	Pawl A spring		
33	LFRM-0020QSE7		AT		C	Multi feed frame		
	LFRM-0020QSEL	1	AT		C	Multi feed frame		06/04
	LFRM-0020QSEP	1	AT		C	Multi feed frame		- R/C
34	XBBS730P10000		AA		C	Screw(3x10)		
	XBBS730P12000	5	AA		C	Screw(3x12)	DCE700	-
35	PSHEZ0099QSZZ		AC		C	Vibration proof sheet		
36	MSPRT0147QSZZ		AC		C	Stopper arm spring		
37	PSHEZ0241QSZZ		AB		C	Vibration proof sheet C		
38	XEBS730P08000		AC		C	Screw(3x8)		
39	LX-WZ0011QSZZ		AB		C	Poly slider(5-12-0.5)		
41	PGiDM0037QSEZ		AF		C	MB side guide F		
	PGiDM0037QSE1	1	AF		C	MB side guide F		06/04 R/C
42	PGiDM0038QSEZ		AF		C	MB side guide R		
	PGiDM0038QSE1	1	AF		C	MB side guide R		06/04 R/C
43	XEBS730P08000		AC		C	Screw(3x8)		
45	LSOU-0009QSE2		AS		D	Multi feed tray 1-U		
	LSOU-0009QSE3	1	AS		D	Multi feed tray 1-U		- R/C
46	NGERH0193FCZZ		AB		C	UC manual feed gear		
47	LSOU-0011QSE1		AL		D	Multi feed tray 2		
	LSOU-0011QSE2	1	AL		D	Multi feed tray 2		- R/C
48	LSOU-0010QSE1		AR		D	Multi feed tray 1-L		
	LSOU-0010QSE2	1	AR		D	Multi feed tray 1-L		- R/C
51	MARMP0005QSE1		AD		C	Tray arm		
52	XEBS730P08000		AC		C	Screw(3x8)		
60	PGiDM0117QSZZ		AH		C	Multi frame cover guide		
	PGiDM0117QSZ1	1	AH		C	Multi frame cover guide		- R/C
61	LSTPP0011QSZZ		AC		C	Stopper		
62	LBSHZ0006QSZZ		AC		C	M bushing 2		
63	NSFTZ0070QSPZ		AN		C	Roller shaft R		
64	NCPL-0012QSZZ		AD		C	Manual feed coupling		
65	MSPRD0302QSZZ		AC		C	Manual feed coupling spring		
66	PSHEZ0410QSZZ		AC		C	Manual feed protect sheet		
101	PSHEZ0605QSZZ	-	AB		C	PS guide sheet [AR-M205/AR-5316/AR-5320]	DCE691	07/10 mid
102	CPLTM0422QS01	5	AE		C	Manual paper feeding pawl plate	DCE700	-
103	LX-WZ0019GCZZ	5	AC		C	Poly slider	DCE700	-
501	CFRM-0020RS55		BG		E	Manual paper feeding multi unit(Without No.101) [Except AR-1118]		
	CFRM-0020RS57		BF		E	Manual paper feeding multi unit(Without No.101) [AR-1118]		
502	CSOU-0009QS34		BA		E	Manual paper tray unit		

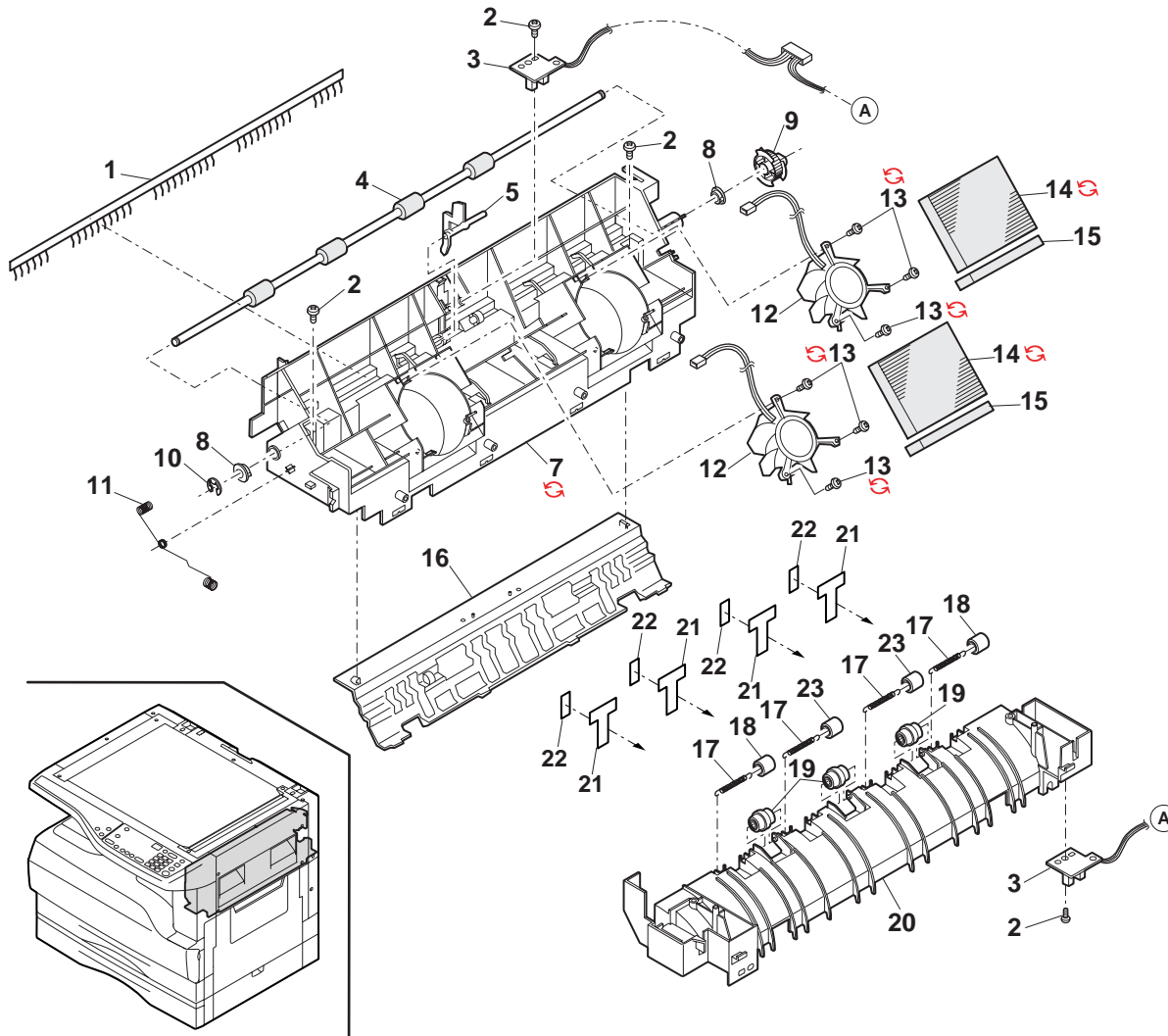
15 Manual paper feeding multi unit



16 Delivery frame unit (AR-1118/AR-5316/AR-5320)

NO.	PARTS CODE	Inter-change	PRICE RANK	NEW MARK	PART RANK	DESCRIPTION	TR No.	Effective time
1	PBRSS0026QSZZ		AF		B	Discharge brush		
2	XEBS730P08000		AC		C	Screw(3x8)		
3	CPWBF0147QSE9		AP		E	Duplex/P-out sensor PWB		
4	NROLM0109QSPZ		AT	N	B	Delivery roller S		
5	MLEVP0025QSZZ		AD		C	Delivery actuator		
7	LFRM-0065QSEZ		AK		C	Delivery upper frame		
7	LFRM-0065QSE2	1	AK		C	Delivery upper frame		- R/C
8	NBRGM0501FCZZ		AB		C	Bearing		
9	NPLYZ0029QSZZ		AD		C	Delivery drive gear(34T)		
10	XRESP50-06000		AA		C	E type ring(E5)		
11	MSPRD0297QSZ1		AG		C	Delivery earth spring A		
12	NFANP0014QSZZ		AT		B	Cooling fan		
13	XEBS720P06000		AC		C	Screw(2x6)		
13	LX-BZ0095QSZZ	1	AA		C	Screw(2x6)		08/04
14	PFLZ0004QSZZ		AM		A	Ozone filter		
14	PFLZ0004QSZ1	1	AM	N	A	Ozone filter		07/04 R/C
14	PFLZ0017QSZZ	1	AP		A	Ozone filter VOC2		08/02
15	PMLT-0099QSZZ		AC		C	Cooling fan cushion		
16	PGIDM0062QSZZ		AK	N	C	Delivery upper paper guide 20		
17	MSPRT0229GCAZ		AC		C	FU spring R		
18	NROLP0034QSZZ		AD		C	Delivery roller		
19	NKOM-0002QSZZ		AC		C	Delivery collar		
20	LFRM-0066QSZZ		AT		C	Delivery lower frame		
21	PSHEZ0446QSZZ		AB		C	Delivery sheet		
22	PSHEZ0449QSZZ		AB		C	Rubber sheet		
23	NROLP0104QSZZ		AC		C	Delivery roller		
	(Unit)							
901	CFRM-0065RS53		BL		E	Delivery frame unit	[AR-5316/AR-5320]	

16 Delivery frame unit (AR-1118/AR-5316/AR-5320)



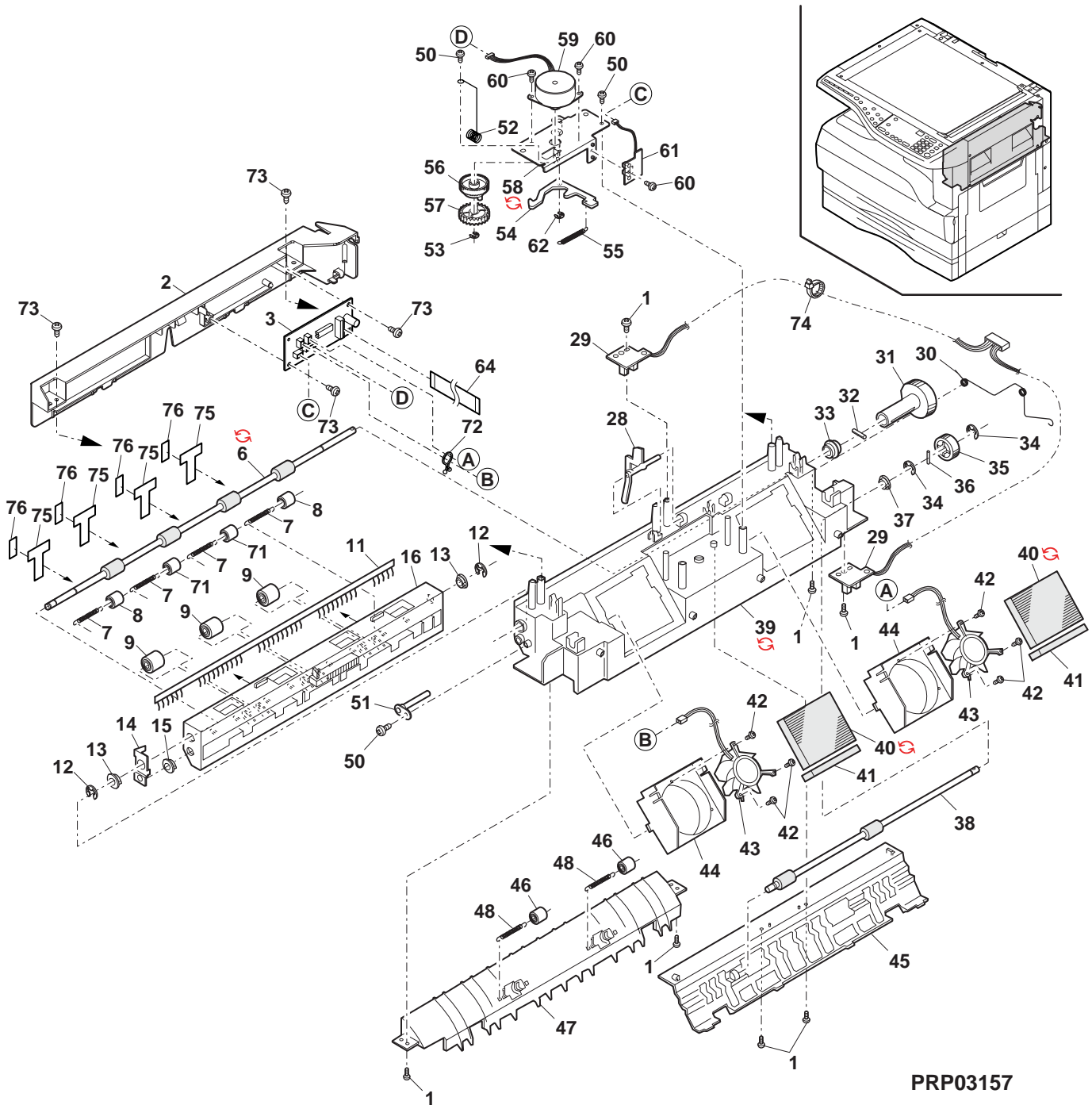
FCP03156



## 17 Delivery frame unit (AR-M160/AR-M205/AR-5220)

NO.	PARTS CODE	Inter-change	PRICE RANK	NEW MARK	PART RANK	DESCRIPTION	TR No.	Effective time
1	XEBSD30P08000		AA		C	Screw(3x8)		
2	GCOV-0049QSZ2		AK		C	Delivery front side cover		
3	CPWBF0129QSE1		AQ		E	Delivery interface PWB		
6	NROLM0103QSZZ		AQ		C	Delivery roller C		
6	NROLM0124QSZ1	3	AP		C	Delivery roller C [Unleaded correspondence]		05/04
7	MSPRT0229GCAZ		AC		C	FU spring R		
8	NROL P0034QSZZ		AD		C	Delivery roller		
9	NKOM-0002QSZZ		AC		C	Delivery collar		
11	PBRSR0009QSZ1		AH		B	Discharge brush [AR-M160/AR-5220]		
11	PBRSR0005QSZZ		AK		B	Discharge brush [AR-M205]		
12	XRESP50-06000		AA		C	E type ring(E5)		
13	NBRGC0529FCZZ		AD		C	Bearing		
14	LPLTM0100QSZ1		AD		C	Delivery earth plate B		
15	NBRGY2122SCZZ		AB		B	Transport roller bearing 1		
16	LHLDZ0040QSZZ		AS		C	Delivery roller holder		
28	MLEVP0025QSZZ		AD		C	Delivery actuator		
29	CPWBF0147QSE2		AP		E	Duplex/P-out sensor PWB		
30	MSPRD0143QSZ1		AF		C	Delivery earth spring A		
31	NPLYZ0030QSZ1		AE		C	Delivery pulley [AR-M160/AR-5220]		
31	NGERH0063QSZZ		AD		C	Delivery drive gear(30T) [AR-M205]		
32	LPI NS0258FCZZ		AA		C	Spring pin(φ3-8)		
33	NBRGC0019QSZZ		AD		C	Bearing(φ6)		
34	XRESP40-06000		AA		C	E type ring(E4) [AR-M205]		
35	NGERH0070QSZZ		AC		C	DUP delivery R gear(20T) [AR-M205]		
36	XPSSJ20-10000		AA		C	Spring pin(φ2-10) [AR-M205]		
37	NBRGY2122SCZZ		AB		B	Transport roller bearing 1 [AR-M205]		
38	NROL P0038QSZZ		AP		C	DUP delivery roller [AR-M205]		
39	LFRM-0027QSZ1		AV		C	Delivery frame		
39	LFRM-0027QSZ3	1	AV		C	Delivery frame		06/04
40	PFILZ0004QSZZ		AM		A	Ozone filter [AR-M205/AR-5220]		
40	PFILZ0004QSZ1	1	AM	N	A	Ozone filter [AR-M205/AR-5220]		07/04 R/C
40	PFILZ0017QSZZ	1	AP		A	Ozone filter VOC2 [AR-M205/AR-5220]		08/02
41	PMLT-0099QSZZ		AC		C	Cooling fan cushion		
42	XEBSD20P06000		AA		C	Screw(2x6)		
43	NFANP0009QSZZ		AT		B	Cooling fan		
44	PDUC-0003QSZ1		AG		C	Cooling fan duct		
45	PGIDM0062QSZ3		AK	N	C	Delivery upper paper guide 20		
46	NROL P1122FCZZ		AF		C	PS upper roller [AR-M205]		
47	PGIDM0040QSZZ		AK		C	Delivery lower paper guide [AR-M205/AR-5220]		
48	MSPRT0229GCAZ		AC		C	FU spring R [AR-M205]		
50	XEBSD30P08000		AA		C	Screw(3x8)		
51	CSFTZ0023QS02		AH		C	Shifter shaft		
52	MSPRD0144QSZZ		AC		C	Delivery earth spring B		
53	XRESP40-06000		AA		C	E type ring(E4)		
54	LSTPP0003QSZ1		AC		C	Shifter stopper		
55	MSPRT0107QSZZ		AC		C	Shifter return spring		
56	NGERH0067QSZZ		AD		C	Shifter gear(24T)		
57	NGERH0068QSZ1		AD		C	Shifter gear(50T)		
58	CPLTM0075QS01		AL		C	Shifter drive plate		
58	CPLTM0075QS02	3	AG		C	Shifter drive plate [Unleaded correspondence]		05/04
59	RMOTS0040QSZZ		AR		B	Shifter motor		
60	XHBSF30P05000		AA		C	Screw(3x5)		
61	CPWBF0147QSE3		AL		E	Shifter HP sensor PWB		
62	XRESP30-06000		AA		C	E type ring(E3)		
64	DHA i-0325QSZZ		AD		C	Delivery tray unit harness		
71	NROL P0104QSZZ		AC		C	Delivery roller		
72	LHLDW0086QSZZ		AB		C	Harness ring		
73	XHBSD30P08000		AA		C	Screw(3x8)		
74	LBNDJ0013FCZ1		AE		C	Cable band		
75	PSHEZ0446QSZZ		AB		C	Delivery sheet		
76	PSHEZ0449QSZZ		AB		C	Rubber sheet		
	(Unit)							
901	CFRM-0027RS72		BP		E	Delivery frame unit SIMP [AR-M160/AR-5220]		
901	CFRM-0027RS73		BQ		E	Delivery frame unit DUP [AR-M205]		

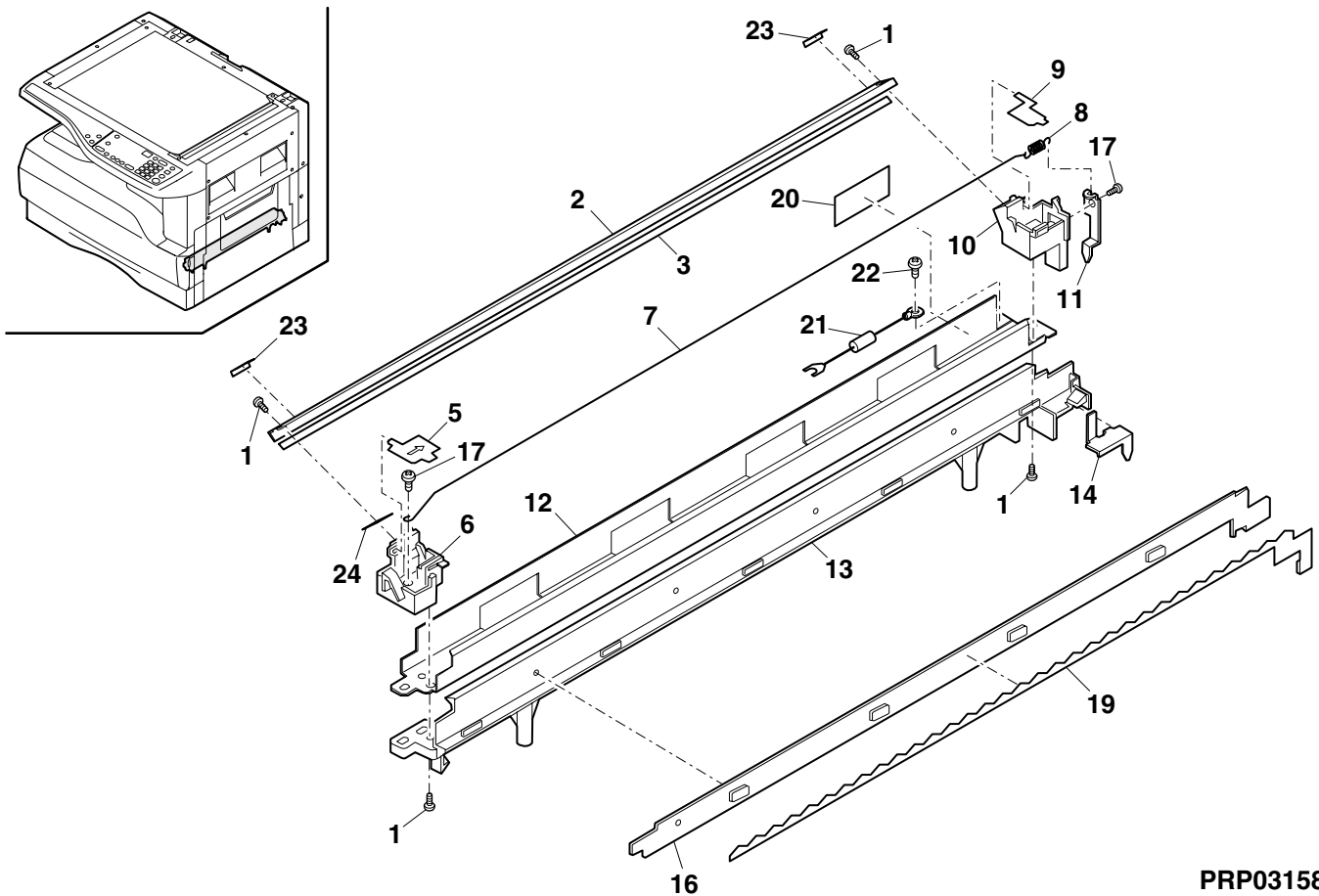
17 Delivery frame unit (AR-M160/AR-M205/AR-5220)



18 TC case unit

NO.	PARTS CODE	Inter-change	PRICE RANK	NEW MARK	PART RANK	DESCRIPTION	TR No.	Effective time
1	XEBS730P08000		AC		C	Screw(3x8)		
2	PGiDH0118QSZZ		AK		C	TC front guide		
3	PSHEP0050QSZ1		AD		C	TC sheet		
5	PSHEP0051QSZZ		AB		C	TC cover sheet F		
6	LHLDZ0030QSZZ		AD		C	TC holder F		
7	DWiR-0466CSZZ		BE		B	Charger wire		
8	MSPRT0513FCZ1		AA		C	MC tension spring		
9	PSHEP0052QSZZ		AB		C	TC cover sheet R		
10	LHLDZ0032QSZZ		AD		C	TC holder R		
11	QSLP-0009QSZZ		AD		C	TC electrode plate		
12	PCASZ0013QSZZ		AP		C	TC case		
13	LHLDZ0031QSZZ		AH		C	Discharge holder		
14	QSLP-0008QSZZ		AD		C	BC electrode plate		
16	PGiDM0032QSZZ		AE		C	Separator guide		
17	XEBS730P06000		AA		C	Screw(3x6)		
19	PSHEZ0125QSZZ		AE		C	Discharger delivery sheet		
20	PSHEZ0434QSZZ		AC		C	TC case sheet		
21	DUNTK0233QSPZ		AH		E	Resistor unit transfer		
22	XBPSC30P06K00		AA		C	Screw(3x6K)		
23	PSHEZ0435QSZ1		AA		C	Guide sheet		
24	PSPAZ0040QSZZ		AB		C	Front guide spacer		
	(Unit)							
901	CHLDZ0030RS54		BA		E	TC case unit	[Except AR-1118]	
	CHLDZ0030RS55		AY		E	TC case unit	[AR-1118]	

18 TC case unit

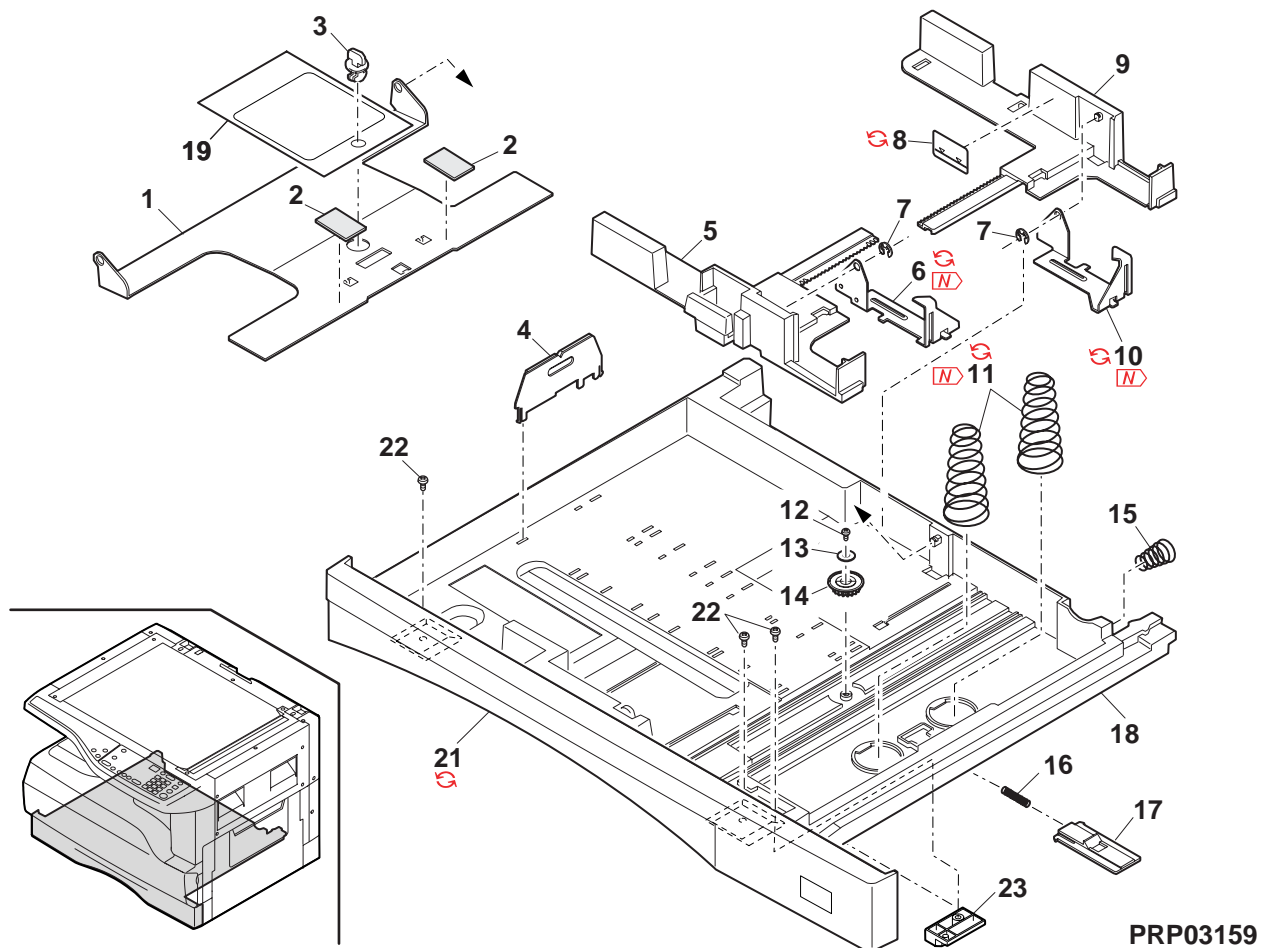


PRP03158

19 250 sheets tray unit

NO.	PARTS CODE	Inter-change	PRICE RANK	NEW MARK	PART RANK	DESCRIPTION	TR No.	Effective time
1	LPLTM0364QSZZ		AR		C	Rotation plate		
2	PSHEZ0441QSZZ		AD		C	Rotation plate sheet		
3	LHLDW1226FCZZ		AB		C	Turn fastener		
4	LPLTM2642FCG2		AD		C	Tray rear plate		
5	PGIDM0122QSZZ		AL		C	Guide F		
6	PTME-0027QSZ2		AL		C	250 tray pawl F		
	<del>PTME-0027QSZ3</del>	-	AM		C	250 tray pawl F	DCE671	-
	<del>PTME-0027QSZ3</del>	3	AM		C	250 tray pawl F (For Taiwan)	DCE650R	07/03
7	XRESP40-06000		AA		C	E type ring(E4)		
8	TLABH0064QSZ1		AC		D	Indicator label		
	<del>TLABH0064QSZ2</del>	1	AC		D	Indicator label	DCE645	07/03
9	PGIDM0123QSZZ		AL		C	Guide R		
10	PTME-0028QSZ2		AL		C	250 tray pawl R		
	<del>PTME-0028QSZ3</del>	-	AM		C	250 tray pawl R	DCE671	-
	<del>PTME-0028QSZ3</del>	3	AM		C	250 tray pawl R (For Taiwan)	DCE650R	07/03
11	MSPRC0334QSZZ		AD		C	Tray spring		
	<del>MSPRC0090QSZZ</del>	-	AD		C	Tray spring	DCE671	-
	<del>MSPRC0090QSZZ</del>	3	AD		C	Tray spring (For Taiwan)	DCE650R	07/03
12	XEBS730P08000		AC		C	Screw(3x8)		
13	XWHS730-08100		AA		C	Washer		
14	NGERH0193FCZZ		AB		C	UC manual feed gear		
15	MSPRC0152QSZZ		AB		C	Tray drawer lower spring D		
16	MSPRC1145FCZZ		AA		C	Stopper spring		
17	LSTPP0161FCZZ		AB		C	Rotation plate stopper		
18	GCASP0007QSZ1		AY		D	Tray case		
19	TTAG-0009QSZZ		AC		D	Tray rotation tag		
21	JHNDP0007QSZZ		AS		D	Handle		
	<del>JHNDP0007QSZ1</del>	1	AS		D	Handle		- R/C
22	XEBS740P10000		AA		C	Screw(4x10)		
23	LPLTP0368QSZZ		AD		C	Cassette position block		
	(Unit)							
901	CCASP0007RS52		BL		E	250 sheets tray unit		

19 250 sheets tray unit

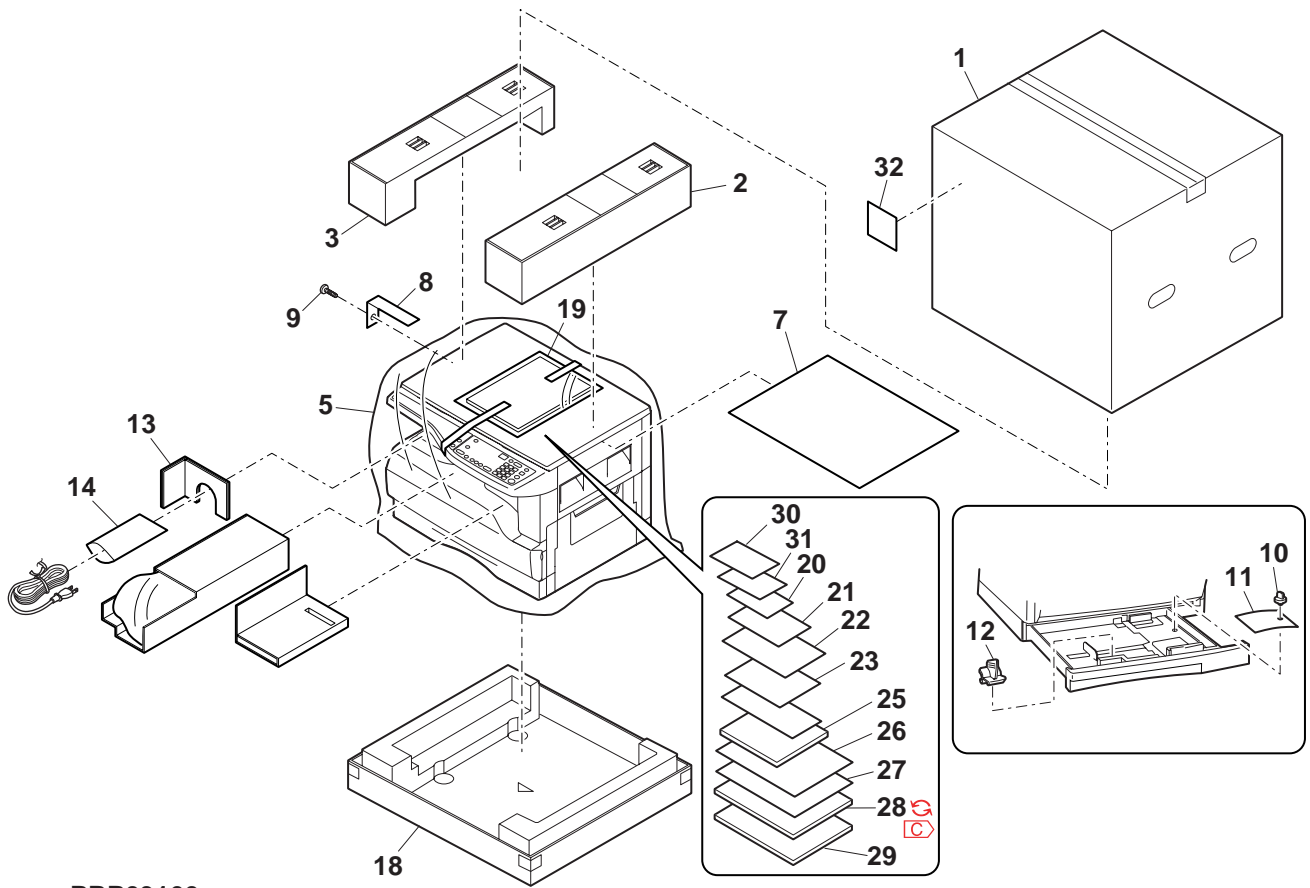


PRP03159

## 20 Packing material &amp; Accessories

NO.	PARTS CODE	Inter-change	PRICE RANK	NEW MARK	PART RANK	DESCRIPTION	TR No.	Effective time
1	SPAKC0462QS24		BB	N	D	Packing case [AR-1118]		
2	SPAKA0464QSZZ		AV		D	Top packing cushion R		
3	SPAKA0463QSZZ		AV		D	Top packing cushion L		
5	SSAKZ0003QSZZ		AF		D	Vinyl bag		
7	SPAKA0134QSZZ		AE		D	OC protect sheet		
8	TCADZ0010QSZZ		AC		D	Fixing screw caution card		
9	LX-BZ0015QSPZ		AF		C	2nd,3rd mirror fixing screw		
10	LHLDW1226FCZZ		AB		C	Turn fastener		
11	TTAG-0009QSZZ		AC		D	Tray rotation tag		
12	CCLZ0005RS51		AQ		D	Charger cleaner unit [Except AR-1118]		
	CCLZ0005QS51		AQ		D	Charger cleaner unit [AR-1118]		
13	SPAKA0466QSZZ		AG		D	Scanner reinforcement material		
14	SSAKA3001CCZZ		AA		D	Vinyl bag(140x260mm)		
18	SPAKA0465QSZZ		BE		D	Bottom case		
19	SSAKA2343QCZZ		AA		D	Vinyl bag(260x380mm)		
20	TLABH0460QSZZ		AD		D	Scanning transmitting label [Except AR-1118/AR-5316(U.S.A,Canada,Australia,New Zealand)]		
21	TLABH0078QSZ1		AE		D	Magnification select label (Inch series)		
	TLABH0068QSZ1		AF		D	Magnification select label (AB series)		
	TLABH0069QSZ2		AG		D	Size display label (Inch series)		
22	TLABH0065QSZ2		AG		D	Size display label (AB series Other Countries)		
	TLABH0117QSZ1		AP		D	Size display label (Taiwan only)		
23	CCASZ0067FC01		AD		D	Maintenance card [Except AR-5316(U.S.A,Canada)]		
	CDSKA0108QS32		BB	N	D	CD-ROM [AR-5316(U.S.A,Canada)]		
	CDSKA0059QS33		AM		D	CD-ROM [AR-1118]		
	CDSKA0049QS34		AM		D	CD-ROM (U.S.A,Europe,U.Kingdom)		
25	CDSKA0052QS33		BB		D	CD-ROM (Germany)		
	CDSKA0054QS33		BB		D	CD-ROM (Taiwan)		
	CDSKA0032QS33		BB		D	CD-ROM [AR-M205(Iran only)]		
	CDSKA0057QS33		BB		D	CD-ROM (Other Countries)		
26	TCADZ0098QSZZ		AF		D	Instral manual card (U.kingdom only)		
27	TCADZ0049QSZZ		AH		D	Instral card (Europe)		
	TCADZ2001QCZA		AE		D	Instral card (Australia,New Zealand)		
	TiNSE1480QSZ1		BB	N	D	Operation manual(COPY) [AR-5316(U.S.A,Canada)]		
	TiNSE1480QSZ2	3	BB	N	D	Operation manual(COPY) [Specification change][AR-5316(U.S.A,Canada)]		07/10
	TiNSE1152QSZZ		AU		D	Operation manual(COPY) [AR-5316(Australia,New Zealand)]		
	TiNSE1152QSZ1	1	AU		D	Operation manual(COPY) [AR-5316(Australia,New Zealand)]		06/06
	TiNSE1152QSZ2	1	AU		D	Operation manual(COPY) [AR-5316(Australia,New Zealand)]		07/07
	TiNSA1471QSZZ		BB		D	Operation manual(COPY) [AR-1118(ARABIC)]		
	TiNSE1470QSZ1		BC		D	Operation manual(COPY) [AR-1118(ENGLISH)]		
	TiNSE1152QSZ1		AU		D	Operation manual(COPY) (ENGLISH)		
	TiNSE1156QSZ1		AU		D	Operation manual(COPY) (ENGLISH)(Hong kong only)		
	TiNSF1159QSZ1		AU		D	Operation manual(COPY) (FRENCH)		
	TiNSF1159QSZ2	1	AU		D	Operation manual(COPY) (FRENCH)		07/07
	TiNSE0908QSZ1		AR		D	Operation manual(COPY) (ENGLISH)(U.S.A only)		
	TiNSF0912QSZ2		AZ		D	Operation manual(COPY) (FRENCH)(Canada,Algeria,Egypt,Syria, Tunisia,Nigeria,West Africa,Morocco,Jordan,Lebanon)		
28	TiNSF0912QSZ3	1	AZ		D	Operation manual(COPY) (FRENCH)(Canada,Algeria,Egypt,Syria, Tunisia,Nigeria,West Africa,Morocco,Jordan,Lebanon)		07/07
	TiNSG0913QSZ1		AZ		D	Operation manual(COPY) (GERMAN)(Germany,Greece,Cyprus, Turkey,Poland,Hungary,Czecho,Russia)		
	TiNSG0913QSZ2	1	AZ		D	Operation manual(COPY) (GERMAN)(Germany,Greece,Cyprus, Turkey,Poland,Hungary,Czecho,Russ)		06/07
	TiNSG0913QSZ3	1	AZ		D	Operation manual(COPY) (GERMAN)(Germany,Greece,Cyprus, Turkey,Poland,Hungary,Czecho,Russ)		07/07
	TiNSE0911QSZ1		AW		D	Operation manual(COPY) (ENGLISH)(U.kingdom only)		
	TiNSE0911QSZ2	1	AW		D	Operation manual(COPY) (ENGLISH)(U.kingdom only)		06/07
	TiNSE0911QSZ3	1	AW		D	Operation manual(COPY) (ENGLISH)(U.kingdom only)		07/07
	TiNSE0910QSZ2		AX		D	Operation manual(COPY) (ENGLISH)(Hong kong only)		
	TiNSS0931QSZ2		AZ		D	Operation manual(COPY) (SPANISH)(LAG2,LAG4)		
	TiNSE0909QSZ2		AW		D	Operation manual(COPY) (ENGLISH)(Other Countries)		
	TiNSZ1533QSZZ		AU		D	Operation manual(COPY) (PERSIA)(Iran)		
	TiNSE1481QSZZ		AS	N	D	Operation manual(SETUP) [AR-5316(U.S.A,Canada)]		
	TiNSE1473QSZZ		AU		D	Operation manual(SETUP) [AR-1118(ARABIC)]		
	TiNSE1209QSZZ		AK		D	Operation manual(SETUP) (ENGLISH)		
	TiNSF1211QSZZ		AN		D	Operation manual(SETUP) (FRENCH)		
29	TiNSF0934QSZZ		AN		D	Operation manual(SETUP) (FRENCH)(Canada,Algeria,Egypt,Syria, Tunisia,Nigeria,West Africa,Morocco,Jordan,Lebanon)		
	TiNSG0935QSZZ		AN		D	Operation manual(SETUP) (GERMAN)(Germany,Greece,Cyprus, Turkey,Poland,Hungary,Czecho,Russia)		
	TiNSS0952QSZZ		AN		D	Operation manual(SETUP) (SPANISH)(LAG2,LAG4)		
	TiNSE0933QSZZ		AH		D	Operation manual(SETUP) (ENGLISH)(Other Countries)		
30	TiNSX1475QSZZ		AG		D	Supplementary manual [AR-1118]		
31	TiNSE1476QSZZ		AT		D	Soft manual [AR-1118]		
32	TLABS3760FCZZ		AC		D	CE mark label (Europe,Algeria,Egypt,Syria,Tunisia, Nigeria,West Africa,Morocco,Jordan,Lebanon)		
101	TLABZ0059QSZZ		AE		D	ECP label [AR-5316(U.S.A,Canada)]		

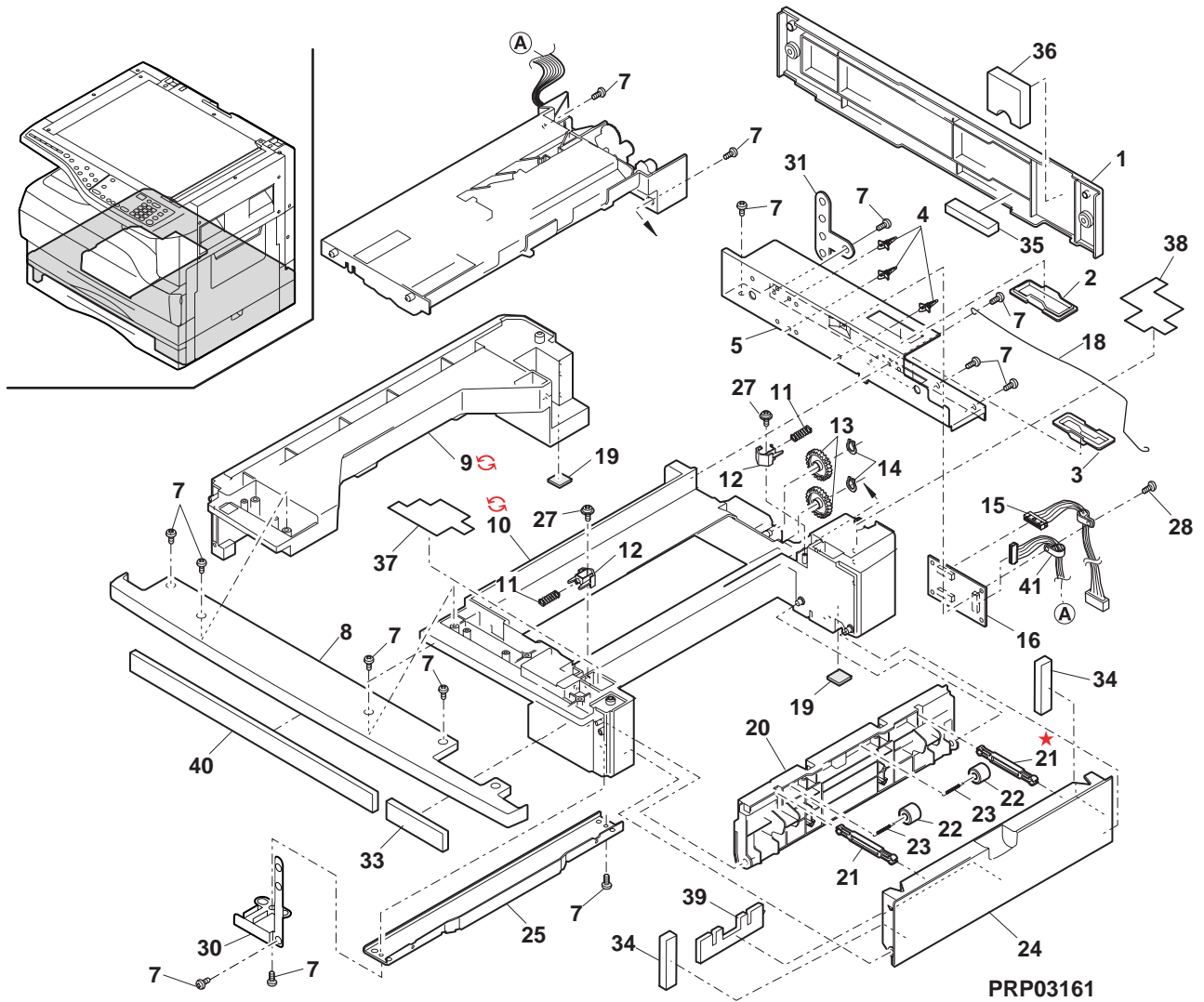
20 Packing material & Accessories



PRP03160



21 2nd Tray exteriors (AR-5320/AR-M205)

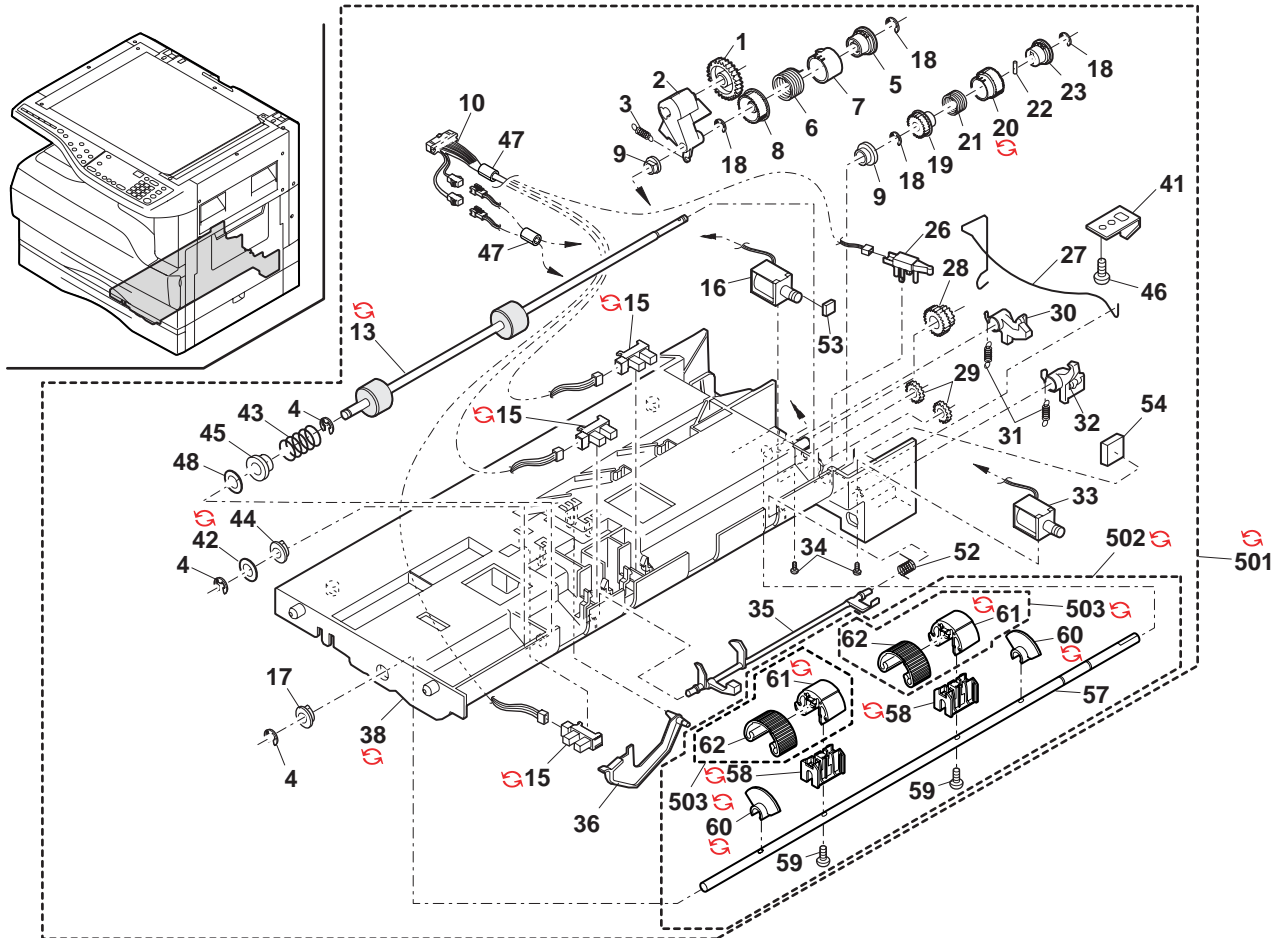




## 22 AR-5320/AR-M205

NO.	PARTS CODE	Inter-change	PRICE RANK	NEW MARK	PART RANK	DESCRIPTION	TR No.	Effective time
1	NGERH1207FCZZ		AF		C	Joint gear(40T)		
2	MARMP0229FCZZ		AE		C	Joint arm		
3	MSPRT0128QSZZ		AB		C	Joint arm spring		
4	XRESP50-06000		AA		C	E type ring(E5)		
5	LBOSZ1031FCZZ		AC		C	Clutch boss		
6	MSPRC0161QSZZ		AF		C	Clutch spring		
7	PPiPP0007QSZZ		AD		C	Clutch pipe		
8	NGERH1132FCZZ		AH		C	Clutch gear(29T)		
9	NBRGM0501FCZZ		AB		C	Bearing(B-F6-7)		
10	DHAi-0075QSZ1		AR		C	1ST harness		
13	NR0LP0044QSZ2		AQ		C	1ST transport roller		
13	NR0LP0044QSP2	3	AQ		C	1ST transport roller [Unleaded correspondence]		05/04
15	VHPGP1A71A1-1		AG		B	Photo sensor(GP1A71A1)		
15	VHPGP1A71A1-18	3	AG		B	Photo sensor [Unleaded solder correspondence]		06/03
16	RPLU-0012QSZ1		AM		B	Paper feeding solenoid		
17	NBRGC0188FCZZ		AB		C	PF bearing		
18	XRESP40-06000		AA		C	E type ring(E4)		
19	LBOSZ1510FCZZ		AF		C	Cam boss A1		
20	PPiPP0109FCZZ		AB		C	Pipe A		
20	PPiPP0109FCZ1	1	AC		C	Pipe A		06/04
21	MSPRC1315FCZ1		AD		C	Clutch spring A		
22	LPiNS0181FCZZ		AA		C	Spring pin		
23	LBOSZ1508FCZZ		AG		C	Cam boss A2		
26	QSW-B0017QSZZ		AF		B	Tray detect switch		
27	MSPRD0134QSZ2		AC		C	Paper feeding earth spring		
28	NGERH0041QSZZ		AF		C	2ND gear ID(18T/26T)		
29	NGERH0990FCZZ		AB		C	Gear(16T)		
30	PTME-0017QSZZ		AD		C	Paper feeding clutch pawl		
31	MSPRT0130QSZ1		AB		C	Clutch pawl spring		
32	PTME-0016QSZZ		AD		C	Transport clutch pawl		
33	RPLU-0013QSZ1		AM		B	Transport solenoid		
34	XBBS030P06000		AA		C	Screw(3x6)		
35	MLEVP0039QSZ1		AE		C	PPDI actuator		
36	MLEVP0046QSZZ		AD		C	CICS actuator		
38	LFRM-0031QSE3		AU		C	Paper feeding frame		
38	LFRM-0031QSE4	1	AU		C	Paper feeding frame		08/01 R/C
41	LPLTM0137QSZZ		AD		C	Boss reinforce plate		
42	LX-WZ0314FCZZ		AA		C	Poly slider		
42	LX-WZ0314FCZ1	1	AA		C	Poly slider		- R/C
43	MSPRC0157QSZZ		AC		C	Brake spring		
44	NBRGC0529FCZZ		AD		C	Bearing		
45	PPiPP0011QSZZ		AC		C	Brake sleeve		
46	XBBSE30P06000		AA		C	Screw(3x6)		
47	RCORF0006QSZZ		AL		C	Core (Except Philippines,Iran)		
48	XWHSD60-10000		AA		C	Washer		
52	MSPRD0156QSZZ		AB		C	PPDI ACT spring		
53	PSPO-0005QSZZ		AA		C	Clutch pawl spong (Europe)		
54	PSPO-0007QSZZ		AB		C	Transport clutch pawl spong (Europe)		
57	NSFTZ0067QSPZ		AP		C	Paper feed roller shaft		
58	LHLDR0095QSZZ		AD		C	Paper feed roller holder		
58	LHLDR0095QSZ1	1	AD		C	Paper feed roller holder		08/02 mid
59	XEBSE30P12000		AA		C	Screw(3x12)		
60	PCLR-0011QSZZ		AC		C	Roller collar		
60	PCLR-0011QSZ1	1	AC		C	Roller collar		08/02 mid
61	LBR0011QSZZ		AD		C	Paper feed roller bracket		
61	LBR0011QSZ1	1	AD		C	Paper feed roller bracket		08/02 mid
62	PGUMM0013QSZZ		AG		C	Paper feed roller rubber (Europe,Philippines,Iran)		
62	PGUMM0012QSZZ		AG		C	Paper feed roller rubber (Other Countries)		
501	CFRM-0031RS5D		BL		E	Paper feeding unit (Europe)		
501	CFRM-0031RS5C		BL		E	Paper feeding unit (Philippines,Iran)		
501	CFRM-0031RS5M	-	BK	N	E	Paper feeding unit [Productivity improvement](Philippines,Iran)		05/02
502	CSFTZ0067RS53		AW		E	Paper feeding shaft (Europe,Philippines,Iran)		
502	CSFTZ0067US53	1	AX		E	Paper feeding shaft (Europe,Philippines,Iran)		07/06
502	CSFTZ0067RS51		AU		E	Paper feeding shaft (Other Countries)		
503	CGUMM0013RS51		AN		E	Paper feed roller rubber unit (Europe,Philippines,Iran)		
503	CGUMM0013US51	1	AP		E	Paper feed roller rubber unit (Europe,Philippines,Iran)		07/06
503	CGUMM0012RS51		AQ		E	Paper feed roller rubber unit (Other Countries)		

22 AR-5320/AR-M205



PRP03162

# SHARP

**COPYRIGHT © 2008 BY SHARP CORPORATION**

All rights reserved.

Printed in Japan.

No part of this publication may be reproduced,  
stored in a retrieval system, or transmitted.

In any form or by any means,  
electronic, mechanical, photocopying, recording, or otherwise,  
without prior written permission of the publisher.

**SHARP CORPORATION**  
**Digital Document System Group**  
**CS Promotion Center**  
**Yamatokoriyama, Nara 639-1186, Japan**  
2008 April Printed in Japan ⓘ