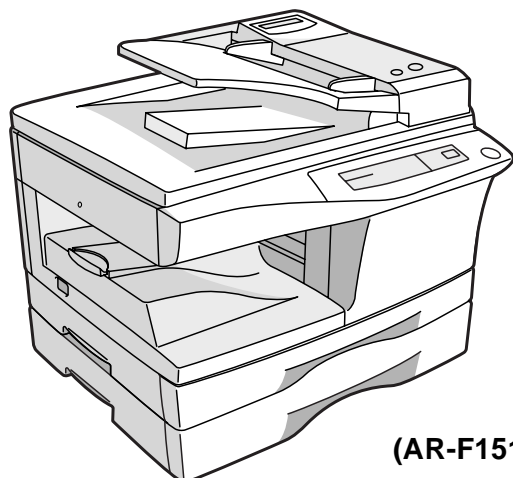


SHARP**PARTS GUIDE**

CODE:00ZARF151/P3E



(AR-F151)

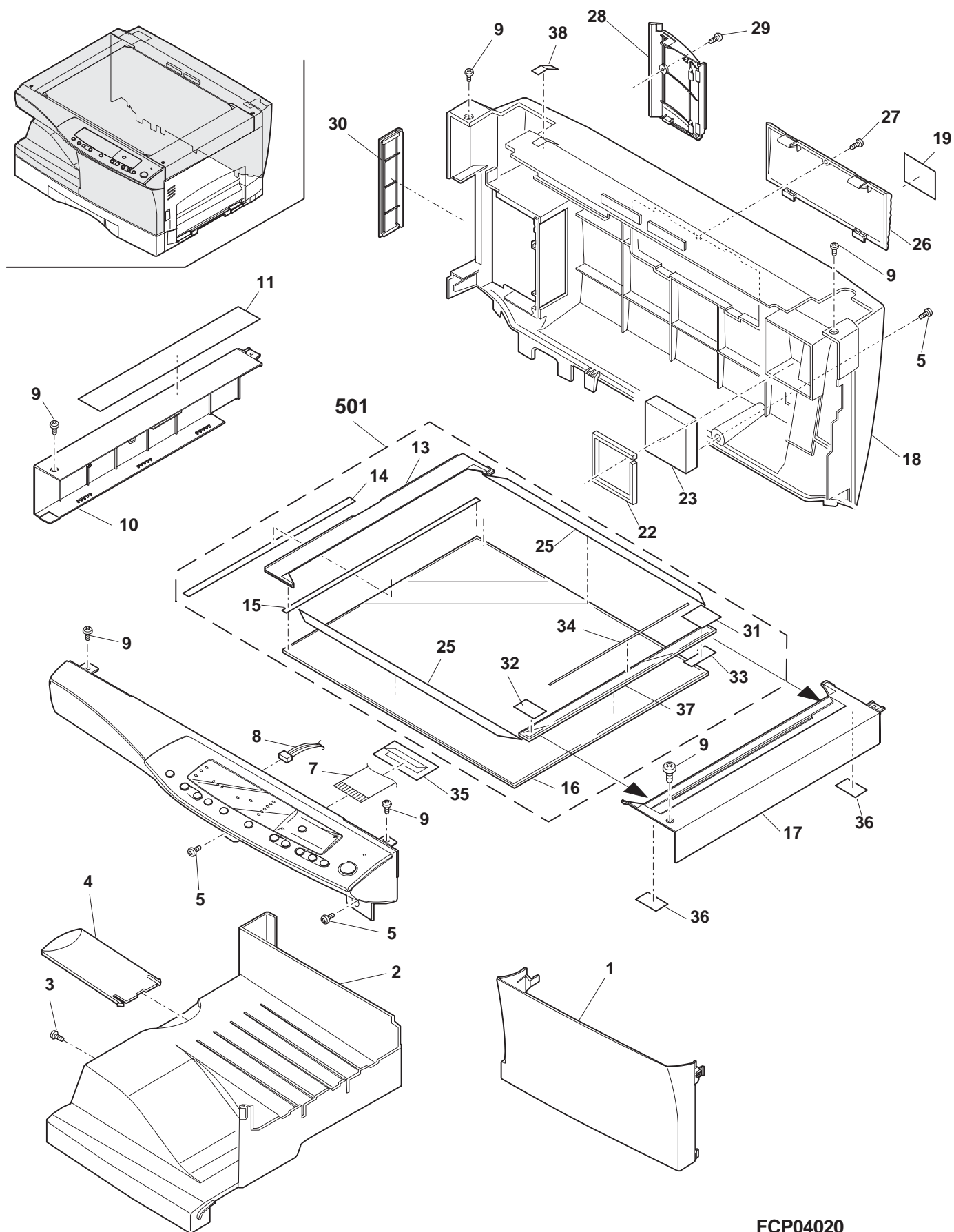
DIGITAL COPIER
AR-150
AR-155
MODEL AR-F151 (Europe)
CONTENTS

- | | | | |
|----|---------------------------------------|----|---------------------------------------|
| 1 | Exteriors | 20 | Drive unit |
| 2 | Original cover unit(AR-150) | 21 | Multi Manual paper feeding cover unit |
| 3 | SPF exteriors(AR-155) | 22 | Multi Manual paper feeding unit |
| 4 | SPF pick up unit(AR-155) | 23 | Socket holder unit |
| 5 | SPF transport unit(AR-155) | 24 | TC case unit |
| 6 | Fax SPF Base tray unit(AR-F151) | 25 | 250 Sheets tray |
| 7 | Fax SPF panel & pick up unit(AR-F151) | 26 | DV cartridge unit |
| 8 | Fax SPF transport unit(AR-F151) | 27 | Harness |
| 9 | Operation panel | 28 | Packing material & accessories |
| 10 | Side door unit | 29 | FAX PWB(AR-F151) |
| 11 | Optical frame 1 | 30 | Fax panel PWB(AR-F151) |
| 12 | Optical frame 2 | 31 | Operation PWB |
| 13 | LSU unit | 32 | Memory PWB(6MB) |
| 14 | Mirror holder unit | 33 | POD sensor PWB |
| 15 | Delivery paper guide unit | 34 | PPD1 sensor PWB |
| 16 | Middle frame | 35 | PPD2 sensor PWB |
| 17 | Base plate unit 1 | 36 | MCU PWB |
| 18 | Base plate unit 2 | ■ | Index |
| 19 | Fusing unit | | |

SHARP CORPORATION

This document has been published to be used for after sales service only.
The contents are subject to change without notice.

1 Exteriors

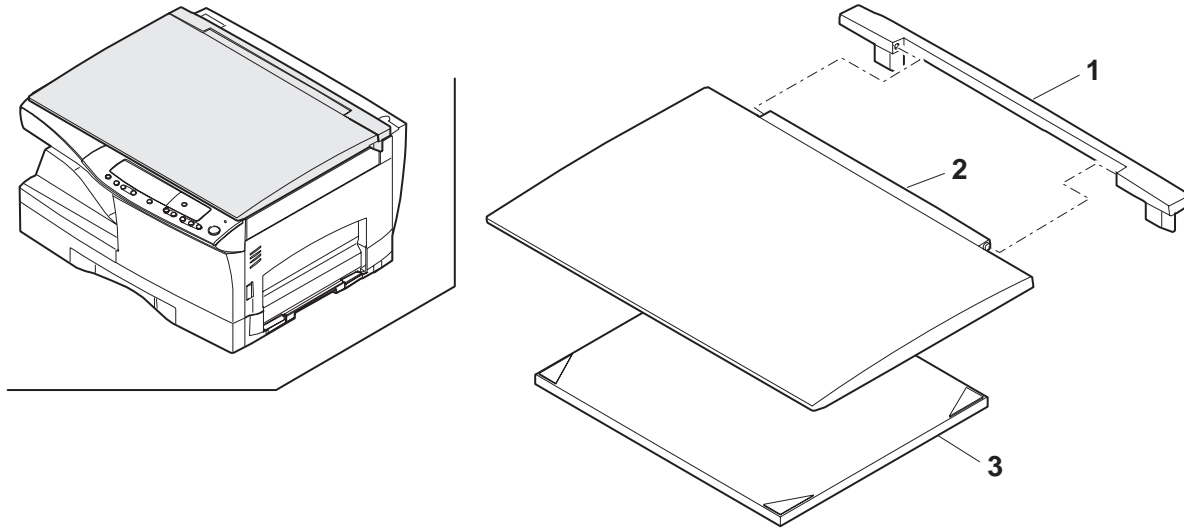


FCP04020

2 Original cover unit(AR-150)

NO.	PARTS CODE	PRICE RANK	NEW MARK	PART RANK	DESCRIPTION
1	GCÖVH0003QSZZ	AM		D	OC cover S
2	GCÖVH0004QSZZ	AX		D	OC cover M
3	PSHEZ0034QSZ1	AV		C	OC mat
	(Unit)				
901	CCÖVH0004QS51	BC		E	OC cover unit

2 Original cover unit(AR-150)



FCP04021

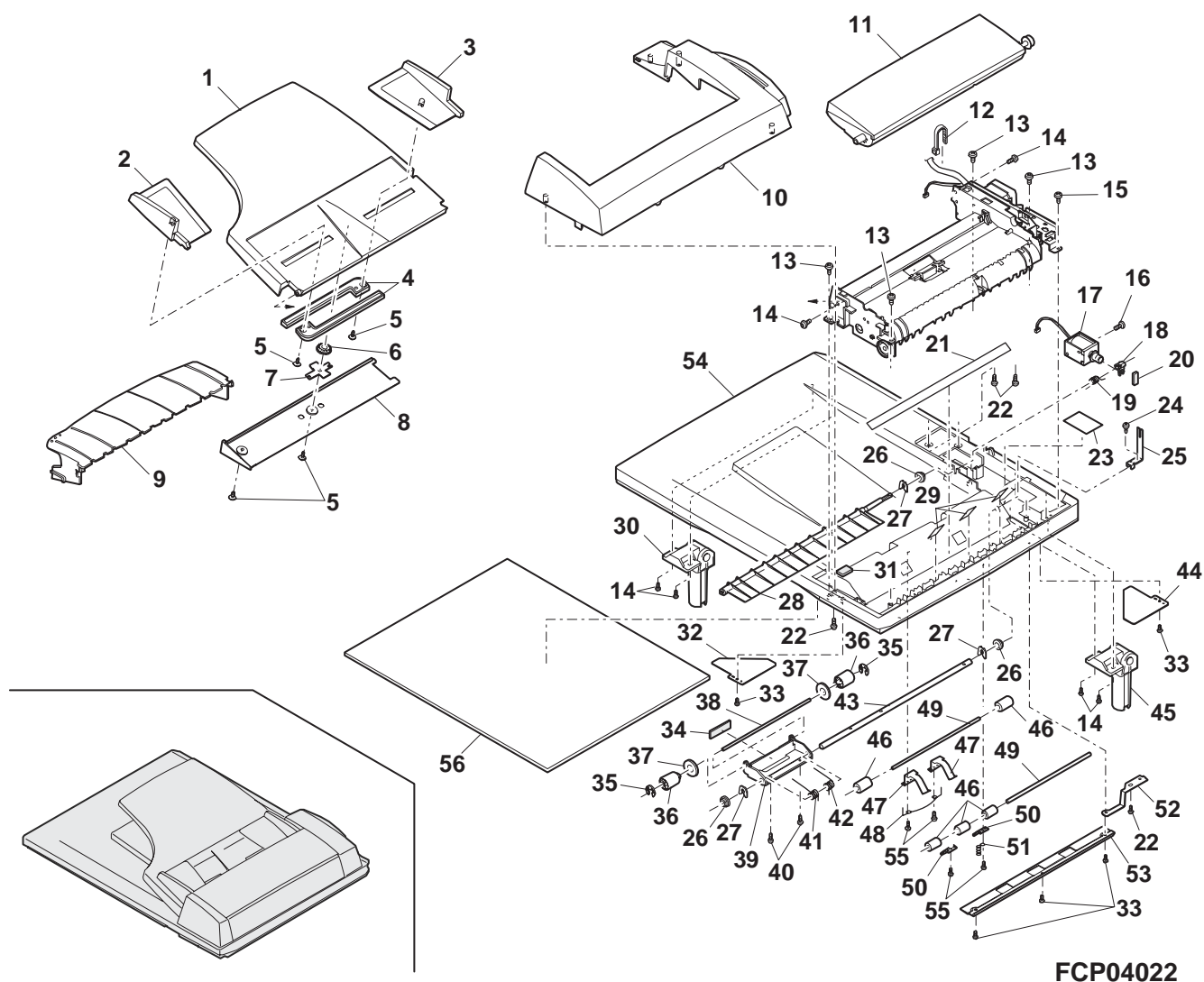
3 SPF exteriors(AR-155)

NO.	PARTS CODE	PRICE RANK	NEW MARK	PART RANK	DESCRIPTION
1	LSÖU-0004QSZZ	AX		D	Original tray
2	LPLTP0011QSZZ	AH		C	Control plate F
3	LPLTP0012QSZZ	AH		C	Control plate R
4	NGERR0377FCZZ	AD		C	Manual feeding rack gear
5	XEPSD30P08X00	AA		C	Screw (3×8X)
6	NGERH0193FCZZ	AB		C	Manual feeding gear
7	MSPRP0059QSZZ	AD		C	Control plate spring
8	PCÖVP0036QSYZ	AK		D	Rack cover
9	LSÖU-0006QSZZ	AL		D	Middle tray
10	PCÖVP0022QSZZ	AR		C	Upper cover
11	CFRM-0011QS55	BH		E	SPF pick up unit
12	LBJND0013FCZ1	AA		C	Wire band
13	XEBSE40P12000	AA		C	Screw (4×12)
14	XEBSE40P14000	AA		C	Screw (4×14)
15	XHBSE30P10000	AA		C	Screw (3×10)
16	XBPSD30P06KS0	AA		C	Screw (3×6KS)
17	RPLU-0005QSZZ	AQ		B	Gate solenoid
18	MLEVP0036QSZZ	AD		C	Delivery gate lever
19	MSPRD0126QSZZ	AC		C	Delivery gate spring
20	PSPÖ-0004QSZZ	AB		C	Delivery gate sponge
21	PSHEP0038QSZZ	AE		C	Base tray sheet
22	XEBSE30P14000	AA		C	Screw (3×14)
23	PSHEZ0151QSZZ	AD		C	Motor sheet DSPF
24	XBPSD30P08KS0	AA		C	Screw (3×8KS)
25	MLEVF0041QSZZ	AD		C	Lever
26	NBRGM5006BCZZ	AB		C	Metal D (B-F6-7)
27	PRNGP0090FCZZ	AA		C	Ring (E5)
28	LPLTP0014QSZZ	AK		C	Delivery gate
29	PSHEZ0068QSZZ	AC		C	PS sheet
30	MHNG-0005QSZZ	AY		C	DSPF hinge L
31	PCUSS0016QSZZ	AB		C	Middle tray cushion
32	PSHEZ0119QSZZ	AE		C	OC mat sheet DF
33	LX-BZ0016QSZZ	AC		C	Screw (3×8)
34	PSPÖ-0003QSZZ	AC		C	Sponge
35	XRESP20-04000	AA		C	E type ring

3 SPF exteriors(AR-155)

NO.	PARTS CODE	PRICE RANK	NEW MARK	PART RANK	DESCRIPTION
36	NRÖLP0011QSZZ	AD		C	Delivery roller
37	PSPÖ-0001QSZZ	AB		C	Sponge
38	NSFTZ0013QSZZ	AF		C	Delivery shaft
39	LPLTP0041QSZZ	AE		C	Pressure plate
40	XBPSD30P10KS0	AB		C	Screw (3×10KS)
41	MSPRD0070QSZZ	AC		C	Delivery spring B
42	MSPRD0069QSZZ	AC		C	Delivery spring A
43	NSFTZ0014QSZZ	AP		C	shaft
44	PSHEZ0118QSZZ	AE		C	OC mat sheet DR
45	MHNG-0006QSZZ	AY		C	DSPF hinge R
46	NRÖLP0010QSZZ	AD		C	Transport roller
47	MSPRP0052QSZZ	AD		C	Delivery spring
48	MSPRD0154QSZZ	AD		C	Delivery earth spring
49	NSFTZ0009QSZZ	AE		C	Transport shaft
50	MSPRP0060QSZZ	AD		C	Transport spring
51	MSPRC0149QSZZ	AC		C	PS earth spring SPF
52	LPLTM0122QSZZ	AD		C	Support plate earth
53	LPLTM0096QSZZ	AF		C	Base tray reinforce plate
54	LSÖU-0007QSZZ	BC		D	Base tray R
55	XEBSD30P08000	AA		C	Screw (3×8)
56	PCUSS0010QSZ1	AV		C	OC mat

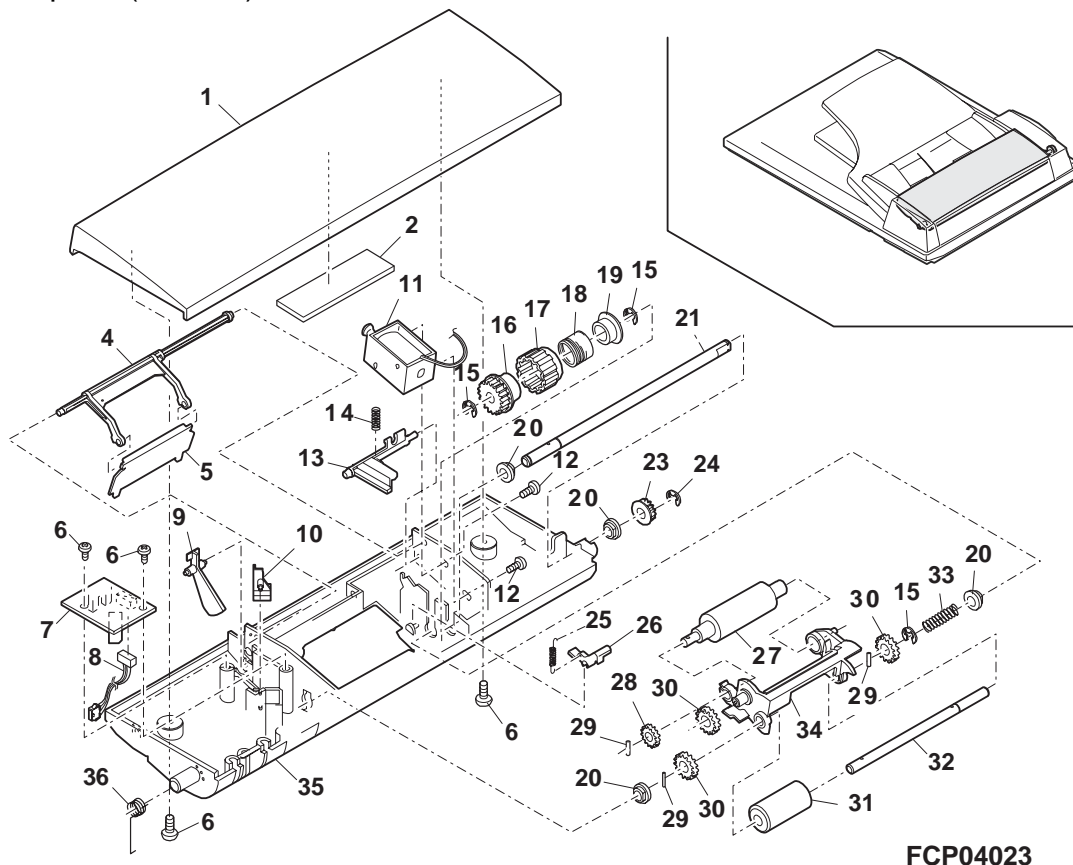
3 SPF exteriors(AR-155)



4 SPF pick up unit(AR-155)

NO.	PARTS CODE	PRICE RANK	NEW MARK	PART RANK	DESCRIPTION
1	GCAB-0008QSZZ	AM		D	Open and shut exterior
2	PSPO-0002QSZZ	AC		C	Stopper sponge
4	MARMP0003QSZ1	AD		C	Stopper arm
5	LSTPP0007QSZZ	AC		C	Paper stopper R
6	XEBSD30P08000	AA		C	Screw (3x8)
7	CPWBF0009QS51	AG		E	SPF sensor PWB
8	DHAI-0055QSZZ	AK		C	Sensor harness
9	MLEVP0009QSZZ	AD		C	Set detect lever ACT
10	MLEVP0010QSZZ	AE		C	Open and shut detect lever ACT
11	RPLU-0004QSZ1	AQ		B	PU solenoid
12	XBPSD30P06KS0	AA		C	Screw (3x6KS)
13	MARMP0002QSZZ	AD		C	Solenoid arm
14	MSPRT0067QSZ1	AB		C	Solenoid arm spring
15	XRESP40-06000	AA		C	E type ring
16	NGERH0073QSZZ	AE		C	Clutch gear (20T)
17	PPiPP0010QSZZ	AD		C	Clutch sleeve R
18	MSPRC1316FCZ1	AE		C	MF clutch spring B
19	LBOSZ1508FCZZ	AG		C	Cam boss A2
20	LBSHZ0303FCZZ	AC		C	M bushing C
21	NSFTZ0012QSZZ	AG		C	Clutch shaft
23	NPLYZ0010QSZZ	AE		C	20MXL pulley
24	XRESP30-06000	AA		C	E type ring
25	MSPRT0066QSZ1	AC		C	Clutch pawl spring
26	P TME-0019QSZZ	AD		C	Clutch pawl
27	NROLP0024QSZZ	AL		C	Pick up roller
28	NGERH0990FCZZ	AB		C	Gear (16T)
29	XPSSP20-07000	AA		C	Spring pin (φ2-7)
30	NGERH0992FCZZ	AB		C	Gear (20T)
31	NROLR0922FCZZ	AR		C	Manual feeding roller
32	NSFTZ0011QSZZ	AG		C	PF shaft
33	MSPRC0115QSZZ	AB		C	Paper feeding spring
34	MARMP0004QSZZ	AF		C	Pick up arm
35	LFRM-0011QSZ1	AL		C	Paper feedind frame
36	MSPRD0114QSZ1	AD		C	PF frame spring
(Unit)					
901	CFRM-0011QS55	BH		E	SPF pick up unit

4 SPF pick up unit(AR-155)

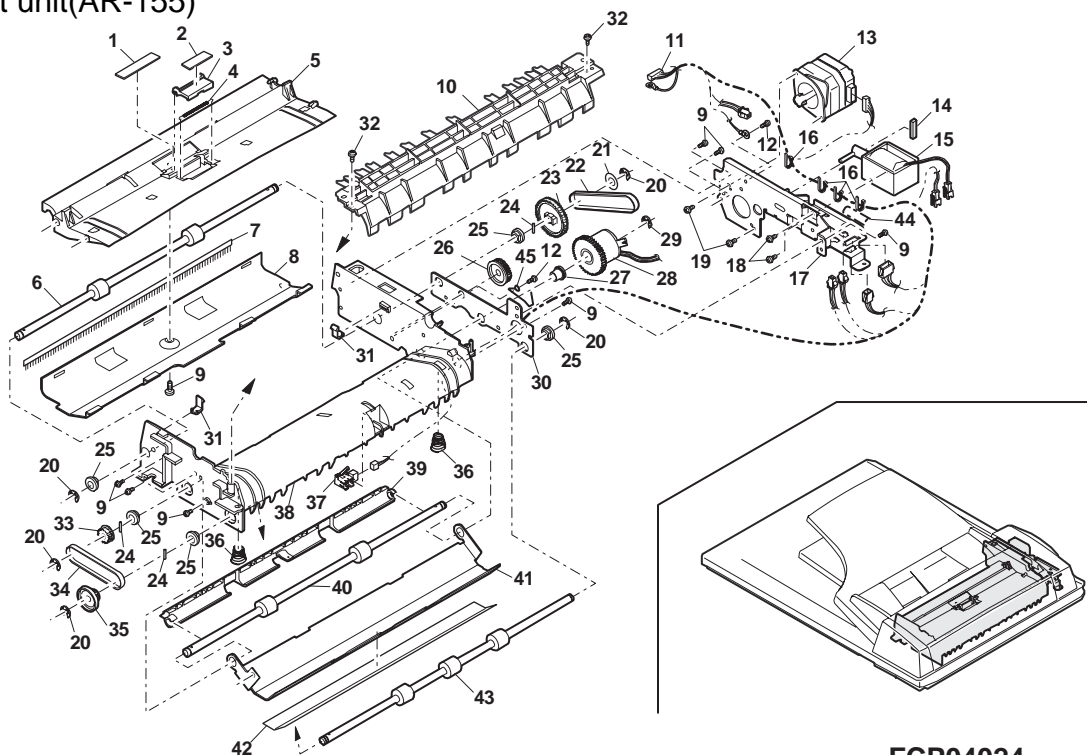


FCP04023

5 SPF transport unit(AR-155)

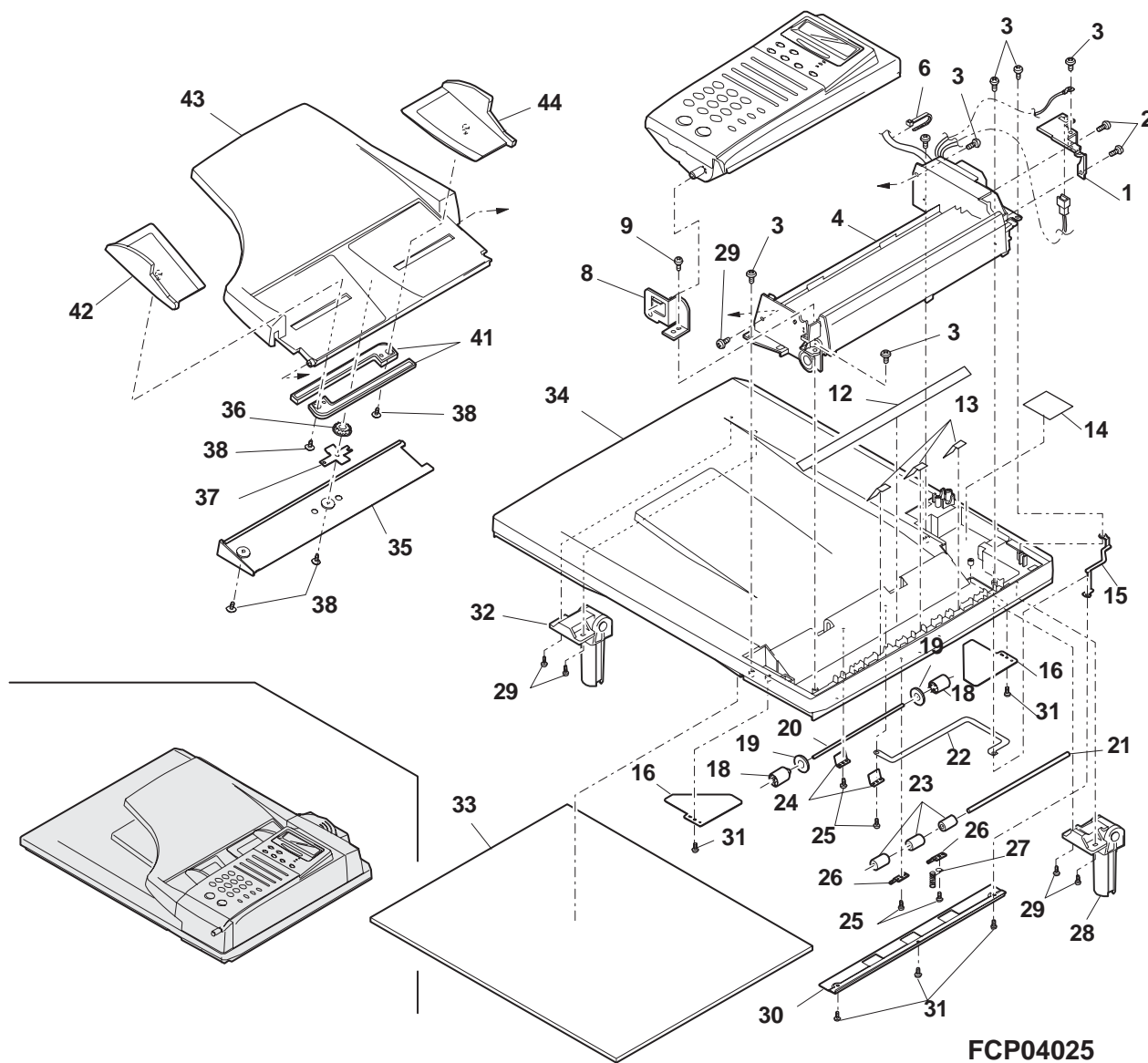
NO.	PARTS CODE	PRICE RANK	NEW MARK	PART RANK	DESCRIPTION
1	PSHEZ2174FCZZ	AB		C	Paper feeding sheet
2	PSHEZ0039QSZZ	AG		C	Sheet
3	LPLTP0013QSZZ	AD		C	Plate
4	MSPRC0062QSZZ	AC		C	Pressure spring
5	PGiDM0022QSZZ	AN		C	Paper feeding paper guide upper
6	NROLM0027QSZZ	AP		C	Delivery roller R
7	PBRSR0003QSZZ	AL		B	Discharge brush
8	PGiDH0028QSZZ	AK		C	Paper feeding paper guide lower
9	XEBSD30P08000	AA		C	Screw (3×8)
10	PGiDM0057QSZZ	AL		C	U-turn R paper guide
11	DHAI-0147QSZZ	AW		C	SPF interface harness R
12	XHBSE30P06000	AA		C	Screw (3×6)
13	RMOTP0013QSZZ	BB		B	SPF motor
14	PSP0-0004QSZZ	AB		C	Delivery gate sponge
15	RPLU-0015QSZZ	AS		B	Solenoid
16	LBNDJ0013FCZ1	AA		C	Wire band
17	LFRM-0015QSZZ	AK		C	Drive frame R
18	XBBSD30P04000	AA		C	Screw (3×4)
19	XBPSD30P05K00	AA		C	Screw (3×5K)
20	XRESP50-06000	AA		C	E type ring
21	PSHEP3029FCZZ	AA		C	Flange sheet DUP2
22	NBLTT0011QSZZ	AG		B	Belt (85MXL4.8)
23	NGERH0047QSZZ	AF		C	Gear (48T/15T)
24	XPSSP20-09000	AA		C	Spring pin (φ2-9)
25	NBRGM5006BCZZ	AB		C	Metal D (B-F6-7)
26	NGERH0079QSZZ	AD		C	Gear (30T)
27	NBRGC0098FCZZ	AC		C	Bearing
28	PCLC-0002QSZZ	AV		B	Transport clutch
29	XRESP40-06000	AA		C	E type ring
30	LFRM-0014QSZZ	AE		C	Frame RD
31	MSPRP0065QSZZ	AD		C	Open and shut lock spring
32	XEBSD30P12000	AA		C	Screw (3×12)
33	NPLYZ0146FCZZ	AB		C	22MXL pulley (22MXL)
34	NBLTT0010QSZZ	AG		B	Belt (74MXL4.8)
35	JKNBZ0004QSZZ	AD		C	JAM release knob
36	MSPRC0063QSZZ	AB		C	Delivery paper guide spring
37	RDTCT0004QSZZ	AL		B	Inlet detect sensor
38	PGiDM0021QSZZ	AQ		C	Transport R paper guide
39	LPLTP0015QSZZ	AH		C	Turnover gate
40	NROLM0026QSZZ	AQ		C	Transport roller
41	PGiDH0027QSZZ	AK		C	Delivery R paper guide
42	PSHEZ0164QSZZ	AF		C	White sheet
43	NROLM0022QSZZ	AP		C	PS roller
44	PSHEZ0162QSZZ	AB		C	Harness protection sheet R
45	MSPRD0163QSZZ	AC		C	Earth spring

5 SPF transport unit(AR-155)

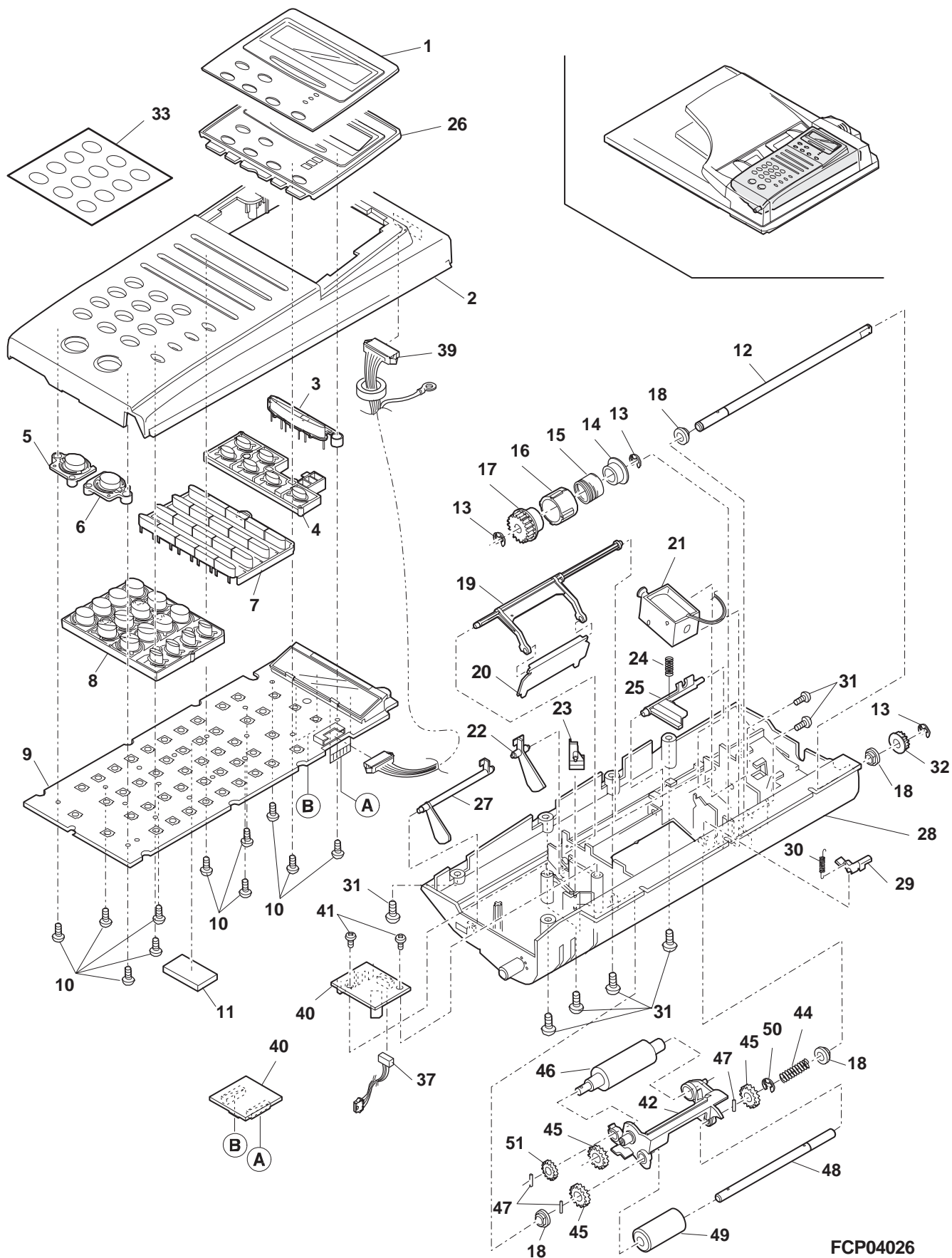


FCP04024

6 Fax SPF Base tray unit(AR-F151)



7 Fax SPF panel & pick up unit(AR-F151)

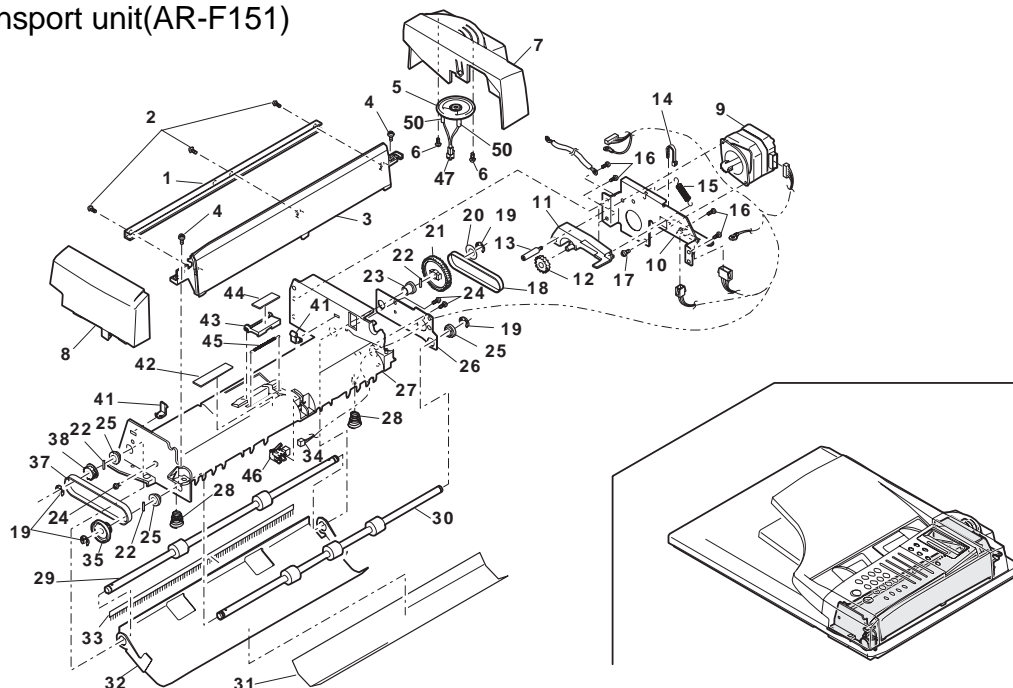


FCP04026

8 Fax SPF transport unit(AR-F151)

NO.	PARTS CODE	PRICE RANK	NEW MARK	PART RANK	DESCRIPTION
1	LPLTM0146QSZZ	AD		C	PG reinforce plate
2	XEBSD30P08000	AA		C	Screw (3x8)
3	PGIDM0058QSZZ	AK		C	U-turn paper guide
4	XEBSD30P12000	AA		C	Screw (3x12)
5	VSP50PB518P//	AL		B	Speaker unit
6	XEPSD30P08X00	AA		C	Screw (3x8X)
7	PCÖVP0043QSZZ	AL		D	Rear cover
8	PCÖVP0042QSZZ	AH		D	Front cover
9	RMÖTP0013QSZZ	BB		B	SPF motor
10	LFRM-0013QSZZ	AG		D	Drive frame
11	MARMP0001QSZZ	AF		C	Drive arm
12	NGERH0972FCZZ	AB		C	Gear (27T)
13	LX-BZ0012QSZZ	AC		C	Screw
14	LBNDJ0013FCZ1	AA		C	Wire band
15	MSPRT0064QSZ1	AC		C	Drive arm spring
16	XEBSD30P08000	AA		C	Screw (3x8)
17	XBPSD30P05K00	AA		C	Screw (3x5K)
18	NBLTT0006QSZZ	AG		C	Belt (83MXL4.8)
19	XRESP50-06000	AA		C	E type ring
20	PSHEP3029FCZZ	AA		C	Flange sheet DUP2
21	NGERH0047QSZZ	AF		C	Gear (48T/15T)
22	XPSSP20-09000	AA		C	Spring pin (φ2-9)
23	NBRGC0098FCZZ	AC		C	Bearing R
24	XEBSD30P08000	AA		C	Screw (3x8)
25	NBRGM5006BCZZ	AB		C	Metal D (B-F6-7)
26	LFRM-0012QSZZ	AD		D	Frame R
27	PGIDM0024QSZZ	AQ		C	Transport PG
28	MSPRC0063QSZZ	AB		C	Delivery PG spring
29	NROLM0023QSZZ	AP		C	Delivery roller
30	NRÖLM0022QSZZ	AP		C	PS roller
31	PSHEZ0164QSZZ	AF		C	White sheet
32	PGIDH0029QSZZ	AL		C	Delivery paper guide
33	PBRSR0003QSZZ	AK	N	B	Discharge brush SPF
34	DHAi-0161QSZZ	BA	N	C	SPF interface harness
35	JKNBZ0004QSZZ	AD		C	JAM release knob
37	NBLTT0003QSZZ	AG		C	Belt (91MXL4.8)
38	NPLYZ0146FCZZ	AB		C	Pulley (22MXL)
41	MSPRP0065QSZZ	AD		C	Open and shut lock spring
42	PSHEZ2174FCZZ	AB		C	Paper feeding sheet
43	LPLTP0013QSZZ	AD		C	Plate
44	PSHEZ0039QSZZ	AG		C	Plape
45	MSPRC0062QSZZ	AC		C	Pressure spring
46	RDTCT0004QSZZ	AL		B	Inlet detect sensor
47	DHAi-0162QSZZ	AE		C	Speaker harness
50	PTUBP0119FCZZ	AB		C	MC protect tube

8 Fax SPF transport unit(AR-F151)

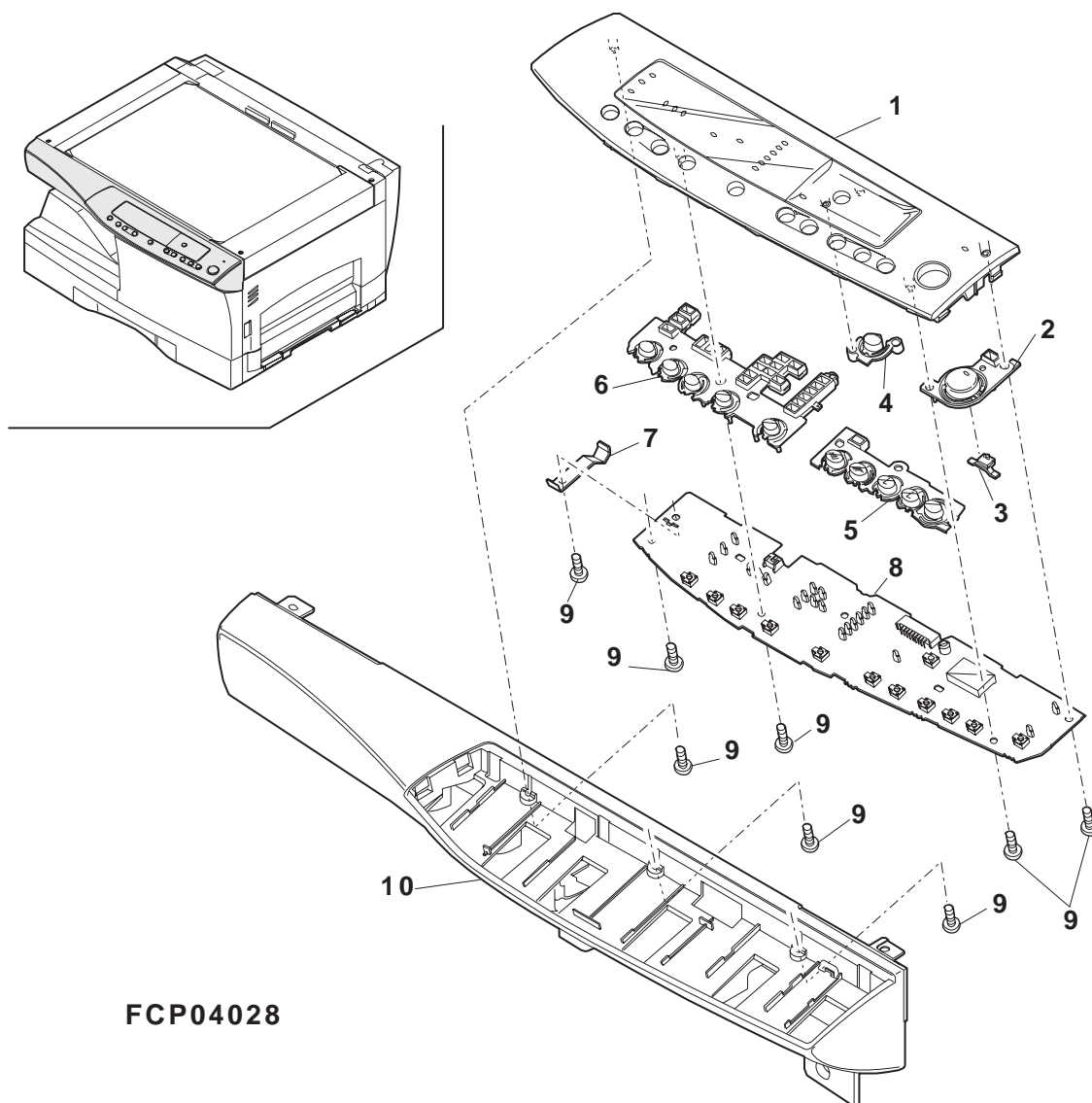


FCP04027

9 Operation panel

NO.	PARTS CODE	PRICE RANK	NEW MARK	PART RANK	DESCRIPTION
1	P F i L Z 0 0 0 7 Q S Z 5	AS		C	Operation filter (Inch series)(AR-150)
	P F i L Z 0 0 0 7 Q S Z 4	AS	N	C	Operation filter (AB series)(AR-150)
	P F i L Z 0 0 0 7 Q S Z 6	AS	N	C	Operation filter (AB series)(AR-155)
	P F i L Z 0 0 0 7 Q S Z 7	AS		C	Operation filter (Inch series)(AR-155)
	P F i L Z 0 0 0 6 Q S Z 1	AS		C	Operation filter (AB series)(AR-F151)
2	C B T N - 0 0 0 9 Q S 0 1	AG		E	Copy key
3	J B T N - 0 0 1 0 Q S Z Z	AC		C	Copy key smoke
4	J B T N - 0 0 0 5 Q S Z Z	AC		C	% Key
5	C B T N - 0 0 0 4 Q S 0 4	AG		E	Operation key R
6	J B T N - 0 0 0 8 Q S Z 1	AG		C	Operation key L
7	M S P R P 0 0 1 5 Q S Z Z	AC		C	Operation PWB earth spring
8	C P W B F 0 0 1 4 Q S 5 9	BQ		E	Operation PWB (AR-F151)
	C P W B F 0 0 1 4 Q S 6 2	BA		E	Operation PWB (AR-150)
	C P W B F 0 0 1 4 Q S 5 6	BA		E	Operation PWB (AR-155)
9	X E B S E 3 0 P 0 8 0 0 0	AA		C	Screw (3×8)
10	C P N L C 0 0 0 2 Q S 4 0	AV		D	Operation panel (AR-F151)
	C P N L C 0 0 0 2 Q S 4 3	AV		D	Operation panel (AR-150)
	C P N L C 0 0 0 2 Q S 4 4	AV		D	Operation panel (AR-155)

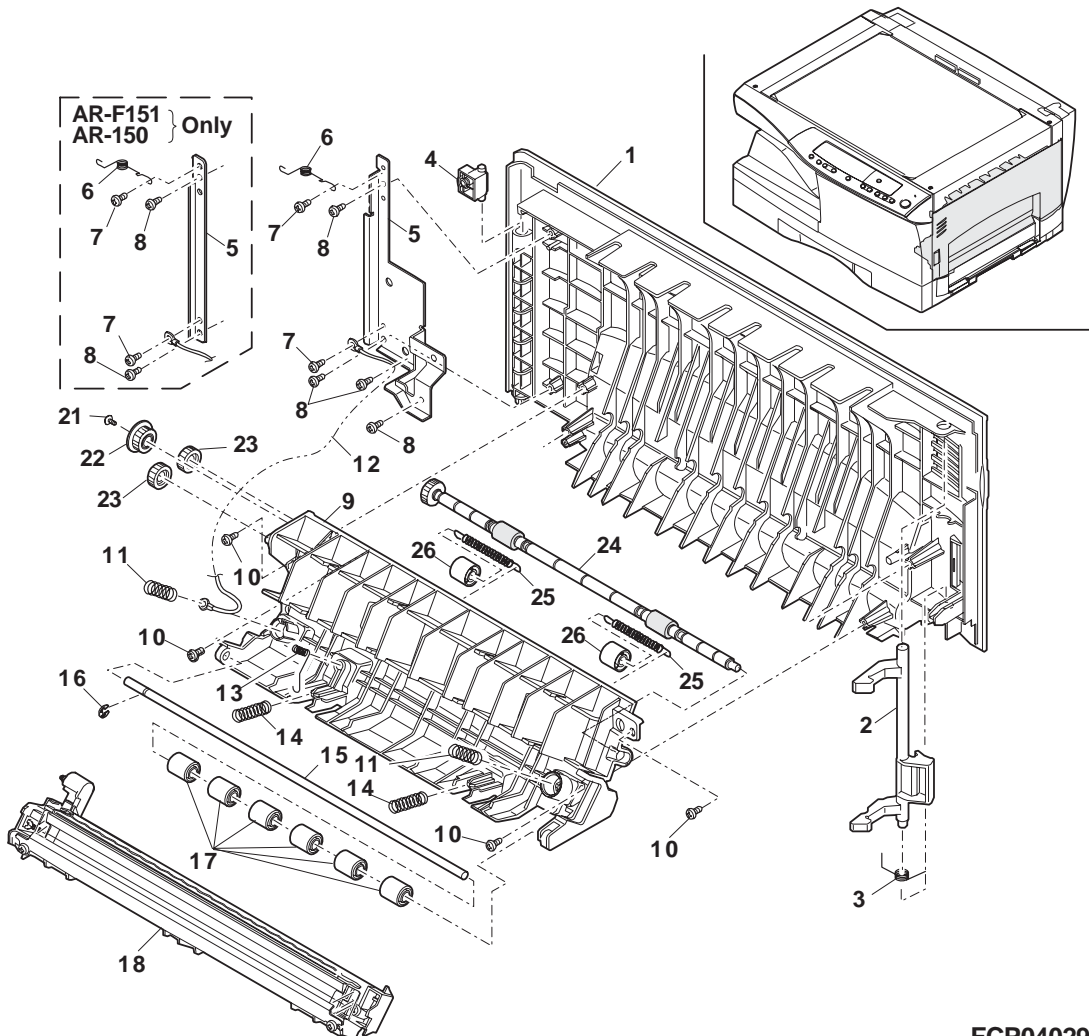
9 Operation panel



10 Side door unit

NO.	PARTS CODE	PRICE RANK	NEW MARK	PART RANK	DESCRIPTION
1	GCAB-0007QSZZ	AU		D	Side door (AR-150/AR-F151)
	GCAB-0007QSZ1	AU		D	Side door (AR-155)
2	PTME-0004QSZZ	AG		C	Lock pawl
3	MSPRT0029QSZZ	AC		C	Lock pawl spring
4	PGIDM0008QSZZ	AD		C	Hinge guide
5	LPLTM0043QSZZ	AD		C	Earth plate (AR-150/AR-F151)
	LPLTM0132QSZZ	AH		C	Earth plate (AR-155)
6	MSPRD0076QSZZ	AD		C	Earth spring
7	XHBSE30P06000	AA		C	SCrew (3x6)
8	XEBSE30P06000	AA		C	Screw (3x6)
9	LFRM-0003QSZZ	AP		D	Side door inner frame (AR-150/AR-F151)
	LFRM-0003QSZZ	AP		D	Side door inner frame (AR-155)
10	XEBSD30P10000	AA		C	Screw (3x10)
11	MSPRC0032QSZZ	AB		C	Transcription pressure spring
12	DHAi-0047QSZZ	AH		C	TCFB harness
13	MSPRC0031QSZZ	AB		C	PS earth spring
14	MSPRC0030QSZZ	AC		C	PS pressure spring
15	NSFTZ0006QSZZ	AG		C	PS shaft (AR-150/AR-155)
	NSFTZ0006QSZZ	AG		C	PS shaft (AR-F151)
16	XRESP30-06000	AA		C	E type ring
17	NRÖLP1122FCZZ	AF		C	PS upper roller
18	CHLDZ0010QS52	AU		E	Transcription holder unit
21	XEPSD30P08X00	AA		C	Screw (3x8)(AR-155)
22	NGERH0048QSZZ	AE		C	DUP drive gear (AR-155)
23	NGERH0051QSZZ	AE		C	DUP drive gear A (AR-155)
24	NRÖLP0025QSZZ	AM		C	DUP drive roller (AR-155)
25	MSPRC0050QSZZ	AB		C	DUP pressure spring (AR-155)
26	NRÖLP1122FCZZ	AF		C	PS upper roller (AR-155)

10 Side door unit

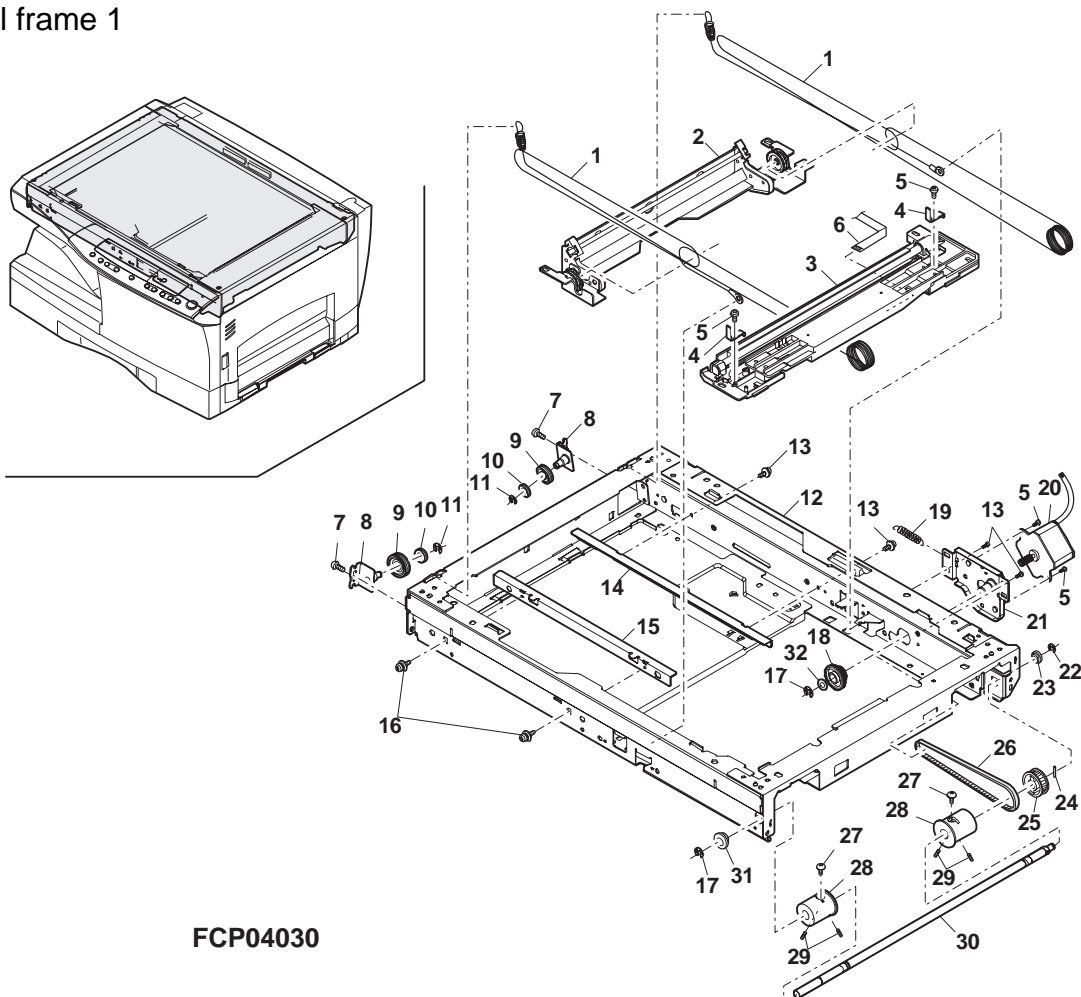


FCP04029

11 Optical frame 1

NO.	PARTS CODE	PRICE RANK	NEW MARK	PART RANK	DESCRIPTION
1	PWIR-0003QSZZ	AR		C	MB wire
2	CHLDZ0019QS31	BC		E	2nd,3rd mirror holder unit
3	CREFL0003QS32	BQ		E	Copy lamp unit
4	LPLTM5111FCZZ	AC		C	Wire fixing plate
5	XBPSD30P05K00	AA		C	Screw (3×5K)
6	DHAI-0041QSZZ	AF		C	CL lead harness
7	LX-BZ0005QSZZ	AA		C	Screw
8	CPLTM0026QS01	AH		B	Pulley fixing plate F
9	NPLYZ0005QSZZ	AG		C	Pulley
10	NPLYZ0006QSZZ	AD		C	L pulley
11	XRESP40-05000	AA		C	E type ring
12	CDAIU0002QS01	BG		D	Optical base plate
13	XHBSE30P08000	AA		C	Screw (3×8)
14	LRALM0003QSZZ	AG		C	MB-B rail R
15	LRALM0002QSZZ	AF		C	MB-B rail F
16	LX-BZ0004QSZZ	AB		C	Screw (M3×6)
17	XRESP70-08000	AA		C	E type ring
18	NGERH0027QSZZ	AH		C	Mirror motor idle gear
19	MSPRC0040QSZZ	AB		C	MB drive spring
20	RMOTP0011QSZZ	BA		B	Mirror Motor
21	CPLTM0025QS01	AH		B	Mirror motor fixing plate
22	XRESP50-06000	AA		C	E type ring
23	NBRGC0387FCZ1	AC		C	Bearing
24	XPSSJ30-12000	AB		C	Spring pin (φ3-12)
25	NPLYZ0004QSZZ	AG		C	Winder drive shaft pulley
26	NBLTT0002QSZZ	AH		C	Winder drive belt
27	LX-BZ0324FCZZ	AA		C	Screw (3×4)
28	NPLYZ0003QSZZ	AM		C	Winder pulley
29	LX-BZ0049FCZZ	AB		C	Screw (4×6)
30	NSFTZ0008QSZZ	AQ		C	Winder drive shaft
31	NBRGC0133FCZ1	AC		C	PF bearing (M8)
32	LX-WZ0119FCZZ	AA		C	Washer

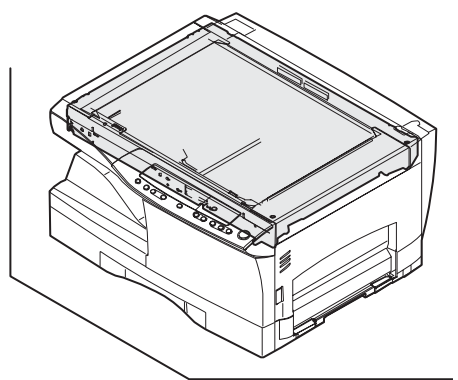
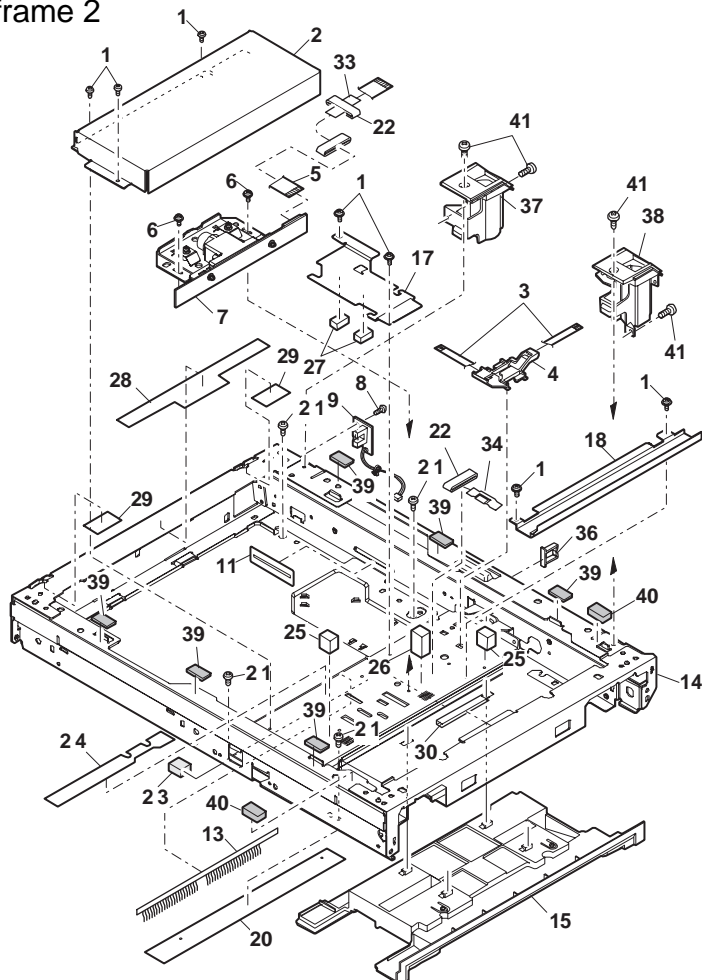
11 Optical frame 1



12 Optical frame 2

NO.	PARTS CODE	PRICE RANK	NEW MARK	PART RANK	DESCRIPTION
1	XHBSE30P08000	AA		C	Screw (3×8)
2	PCASZ0003QSZZ	AK		D	Dark box
3	DHAi-0041QSZZ	AF		C	CL lead harness
4	LHLDZ0011QSZZ	AD		C	CL lead holder
5	DHAi-0042QSZZ	AK		C	ICU-CCD harness
6	LX-BZ0004QSZZ	AB		C	Screw (M3×6)
7	CDAiU0008QS51	BC		D	Lens unit
8	XBBSD30P08000	AA		C	Screw (3×8)
9	CPWBF1177FC5A	AG		E	MHPS sensor PWB
11	PSHEP0042QSZZ	AC		C	Edge protect sheet
13	PBRSR0002QSZZ	AK		C	Discharge brush (AR-150/AR-155)
	PBRSR0002QSZZ1	AH	N	C	Discharge brush (AR-F151)
14	CDAiU0002QS01	BG		D	Optical base plate
15	PGiDM0007QSZZ	AP		C	U-turn rib guide upper
17	LPLTM0097QSZZ	AE		C	CCD harness cover
18	LPLTM0098QSZZ	AE		C	CCD PWB cover
20	PSHEZ0066QSZZ	AE		C	Lens base plate lower sheet
21	XEBSE40P12000	AA		C	Screw (4×12)
22	RCORF0002QSZZ	AE		C	Ferrite core
23	PGSK-1004DCZZ	AF		C	Gasket
24	PSHEZ0074QSZZ	AE		C	Optical protection sheet
25	PGSK-0001QSZZ	AG	N	C	Gasket
26	PGSK-0006QSZZ	AE	N	C	Gasket
28	PSHEZ0081QSZZ1	AD		C	Cabinet hook sheet A
29	PSHEZ0082QSZZ	AB		C	Cabinet hook sheet B
30	PSHEZ0111QSZZ	AC		C	Protection sheet
33	PSHEZ0072QSZZ	AE		C	Core holding mylar
34	PSHEZ0141QSZZ	AC		C	Core holding mylar
36	LHLDW2133SCZZ	AC		C	Locking wire holder (LWS-1M)
37	PGiDM0019QSZZ	AH		C	SPF hinge guide L (AR-155/AR-F151)
	PGiDM0059QSZZ	AG		C	Hinge guide L (AR-150)
38	PGiDM0020QSZZ	AH		C	SPF hinge guide R (AR-155/AR-F151)
	PGiDM0060QSZZ	AG		C	Hinge guide R (AR-150)
39	PGUMS0004QSZZ	AA		C	Table glass cushion
40	PCUSS0011QSZZ	AB		C	Glass cution
41	XBBSSE30P08000	AA		C	Screw (3×8)

12 Optical frame 2

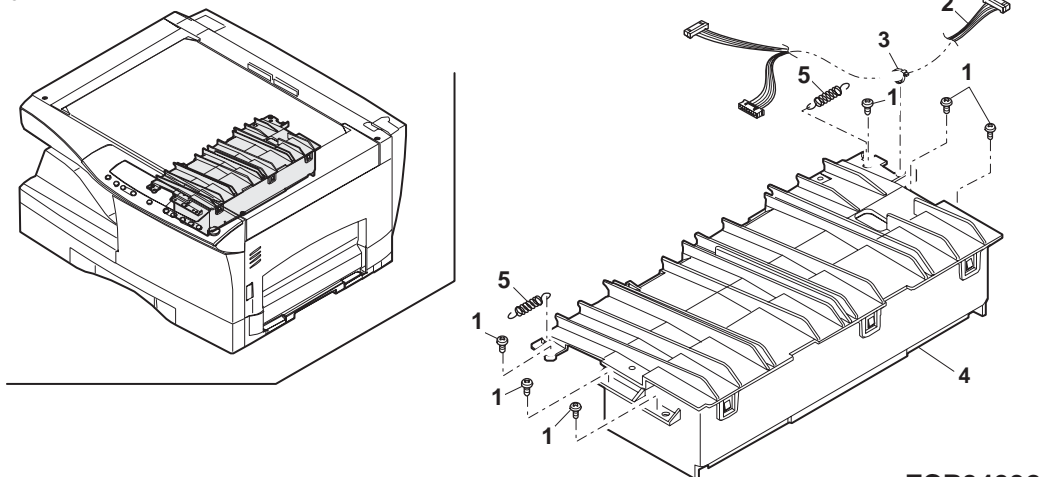


FCP04031

13 LSU unit

NO.	PARTS CODE	PRICE RANK	NEW MARK	PART RANK	DESCRIPTION
1	XEBSD30P12000	AA		C	Screw (3×12)
2	DHAI-0155QSZ1	AT		C	LSU harness
3	LBNDJ0013FCZ1	AA		C	Wire band
4	DUNTK0013QS11	BT		E	LSU unit (A4600D)
5	MSPRT0019QSZZ	AB		C	Delivery paper guide spring

13 LSU unit

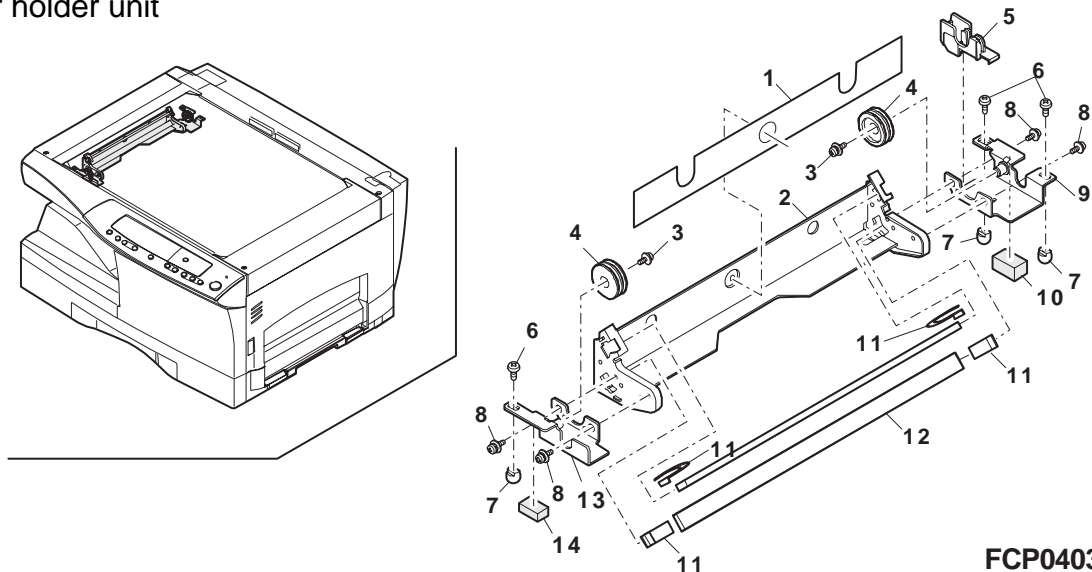


FCP04032

14 Mirror holder unit

NO.	PARTS CODE	PRICE RANK	NEW MARK	PART RANK	DESCRIPTION
1	PSHEZ0048QSZZ	AE		C	Reflector protect sheet
2	LHLDZ0019QSZZ	AN		C	2nd,3rd mirror holder
3	XBPSD40P06KS0	AA		C	Screw (4×6KS)
4	NPLYZ0007QSZZ	AG		C	W pulley
5	LHLDZ0013QSZZ	AD		C	CL guide holder
6	XEBSD40P06000	AA		C	Screw (4×6)
7	CSLI-0103FC31	AF		B	Slider (4pcs/set)
8	LX-BZ0335FCZZ	AA		C	Screw (4×6)(Red)
9	CPLTM0029QS01	AH		B	Pulley fixing plate R
10	PCUSS0009QSZZ	AA		C	MB-B cushion R
11	LFIX-0284FCZZ	AC		C	Mirror fixing plate
12	PMIR-0002QSZZ	AN		B	2nd,3rd mirror
13	CPLTM0028QS01	AH		B	Pulley fixing plate F
14	PCUSS0201FCZZ	AA		C	MB-B cushion
	(Unit)				
901	CHLDZ0019QS31	BC		E	2nd,3rd mirror holder unit

14 Mirror holder unit

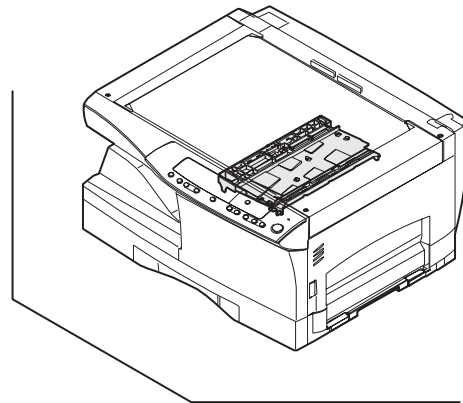
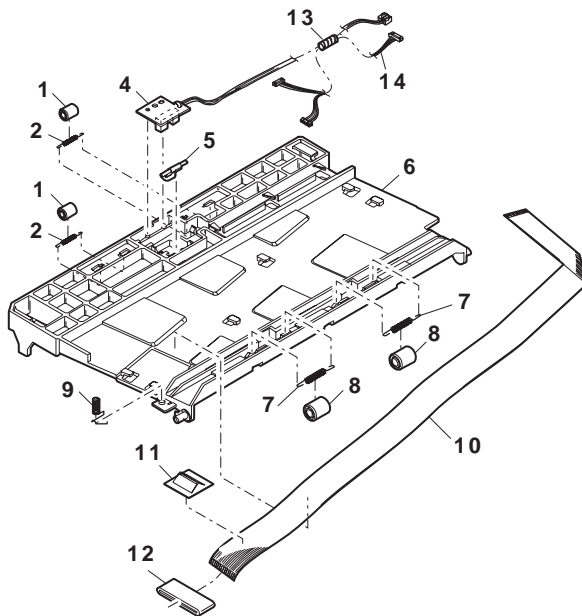


FCP04033

15 Delivery paper guide unit

NO.	PARTS CODE	PRICE RANK	NEW MARK	PART RANK	DESCRIPTION
1	NRÖLP0046QSZZ	AC	N	C	Delivery roller upper
2	MSPRT0020QSZZ	AB		C	Delivery roller spring
4	CPWBF1177FC57	AG		E	POD sensor PWB
5	MLEVP0005QSZZ	AD		C	Delivery actuator
6	PGiDM0006QSZZ	AM		C	Delivery paper guide
7	MSPRC0021QSZZ	AB		C	Delivery transport roller spring
8	NRÖLP1122FCZZ	AF		C	PS upper roller
9	MSPRC0022QSZZ	AC		C	Delivery earth spring
10	DHAi-0040QSZZ	AK		C	OP harness (AR-150/AR-F151)
	DHAi-0168QSZZ	AK		C	OP harness (AR-155)
11	PSHEZ0080QSZZ	AE		C	OPE harness core holding mylar
12	RCORF0002QSZZ	AE		C	Core
13	PTUBP0005QSZZ	AC		C	Tube (AR-155)
14	DHAi-0155QSZZ	AT		C	LSU harness

15 Delivery paper guide unit



FCP04034

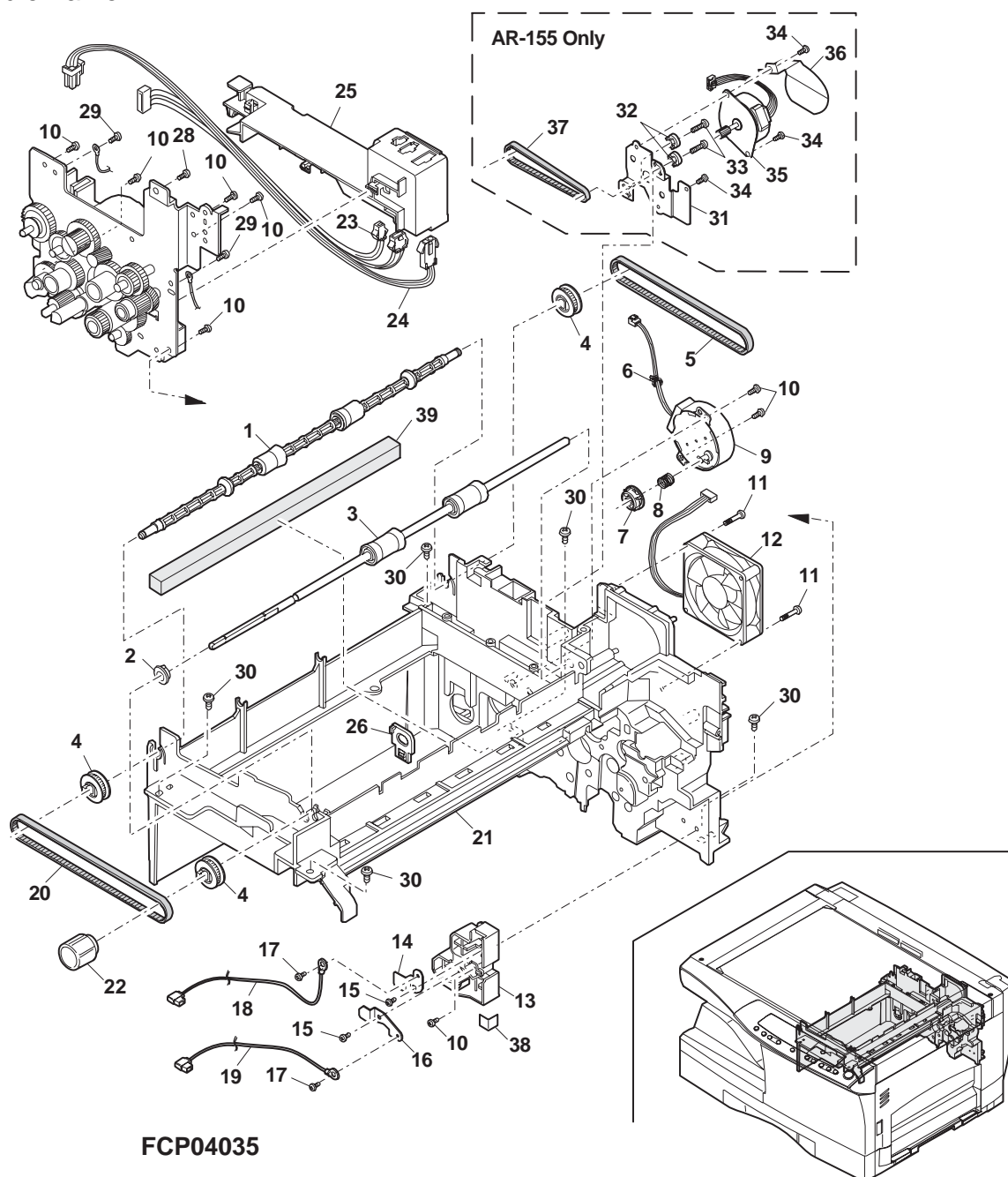
16 Middle frame

NO.	PARTS CODE	PRICE RANK	NEW MARK	PART RANK	DESCRIPTION
1	NRÖLP0007QSZZ	AQ		C	Delivery roller lower
2	NBRGC0579FCZZ	AE		C	Roller bearing
3	NRÖLP0012QSZZ	AS		C	Delivery transport roller lower
4	NPLYZ0001QSZZ	AE		C	Pulley (22T)
5	NBLT-0005QSZZ	AH		C	Delivery roller drive belt
6	LBNDJ0043FCZZ	AA		C	Snap band (SG-130)
7	NCPL-0006QSZZ	AC		C	Hopper cupring S
8	MSPRC0024QSZZ	AA		C	Hopper spring
9	RMÖTD0009QSZZ	AU		B	Toner motor
10	XEBSD30P10000	AA		C	Screw (3×10)
11	XEBSD30P30000	AA		C	Screw (3×30)
12	NFANP0001QSZZ	AX		B	Fan
13	LHLDZ0018QSZZ	AE		C	TC high voltage holder
14	QSLP-0006QSZZ	AE		C	BC HV electrode plate
15	XEBSD30P06000	AA		C	Screw (M3×6)
16	QSLP-0005QSZZ	AE		C	TC HV electrode plate
17	XBPSC30P06K00	AA		C	Screw (3×6K)
18	DHAi-0046QSZZ	AH		C	BC harness
19	DHAi-0048QSZZ	AG		C	TC harness
20	NBLTT0001QSZZ	AH		C	Belt 308
21	LFRM-0035QSZZ	AZ		D	Center frame
22	JKNBZ0001QSZZ	AE		C	Roller rotation knob
23	DHAi-0037QSZZ	AS		C	PPD2 interface harness (100V series)
	DHAi-0169QSZZ	AQ	N	C	PPD2 interface harness (200V series)
24	DHAi-0029QSZZ	AN		C	HL harness 1 (100V series)

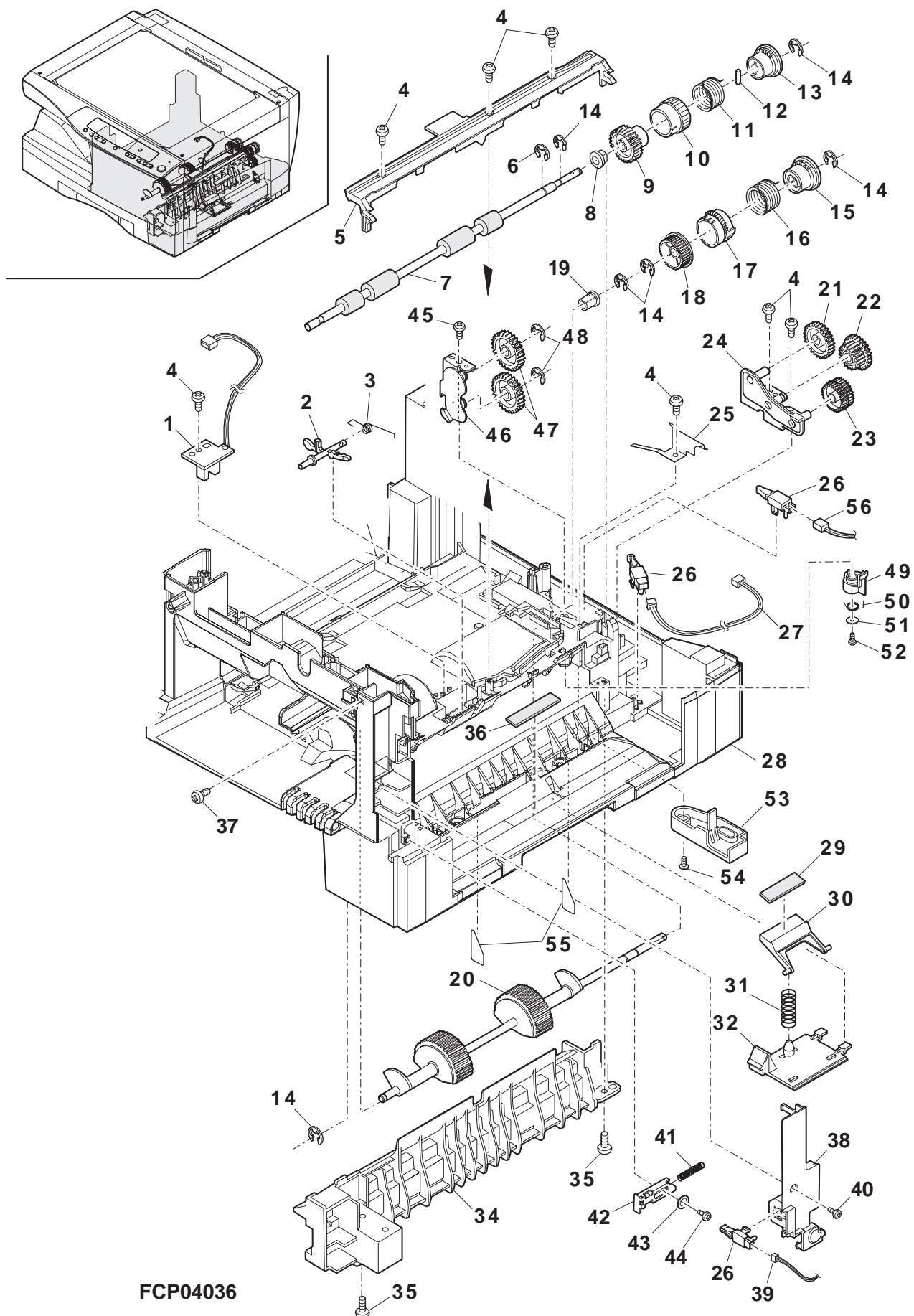
16 Middle frame

NO.	PARTS CODE	PRICE RANK	NEW MARK	PART RANK	DESCRIPTION
24	DHAi-0057QSZZ	AN		C	HL harness 1 (200V series)
25	PGiDM0009QSZZ	AG		C	Harness guide
26	LPI NS0008QSZZ	AD		C	DV guide pin (SCB)
26	LPI NS0009QSZZ	AD	N	C	DV guide pin (SCA)
28	LX-BZ3006SC0S	AA		C	Screw (3×6)
29	XBBS D30P08000	AA		C	Screw (3×8)
30	XEBSE40P12000	AA		C	Screw (4×12)
31	LPL TM0133QSZ1	AE		C	DUP motor sink (AR-155)
32	PSPA Z0017QSZZ	AK		C	DUP spacer (AR-155)
33	XEBSD30P10000	AA		C	Screw (3×10)
34	XHBSE30P06000	AA		C	Screw (3×6)(AR-155)
35	RMOT P0012QSZZ	AW		B	DUP transport motor (AR-155)
36	PSHE Z0156QSZZ	AE		C	Harness protection sheet (AR-155)
37	NBL TT0004QSZZ	AH		C	Belt (AR-155)
38	PSHE Z0155QSZZ	AD		C	Sheet (AR-155)
39	PML T-0026QSZZ	AC		C	Cushion

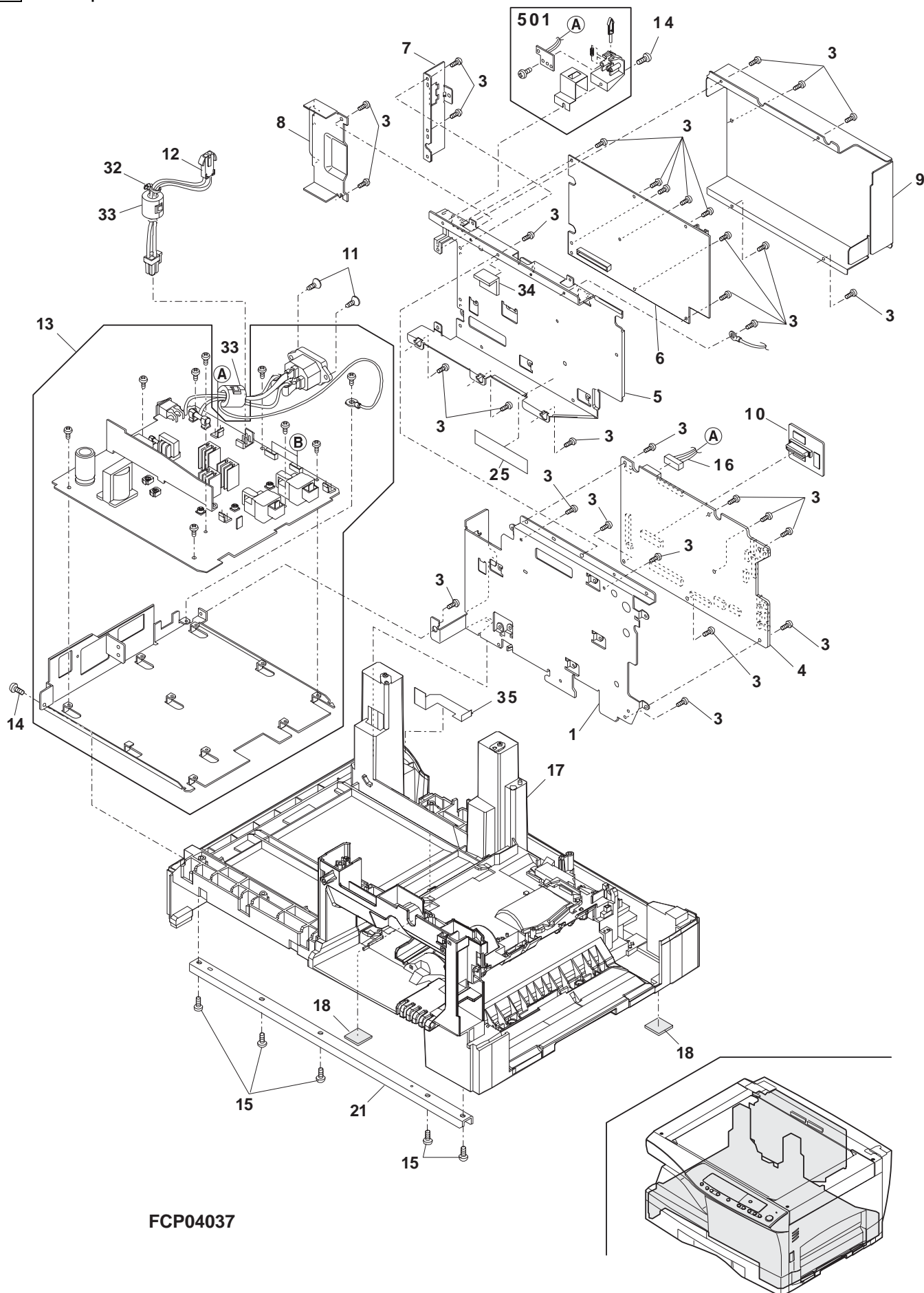
16 Middle frame



17 Base plate unit 1

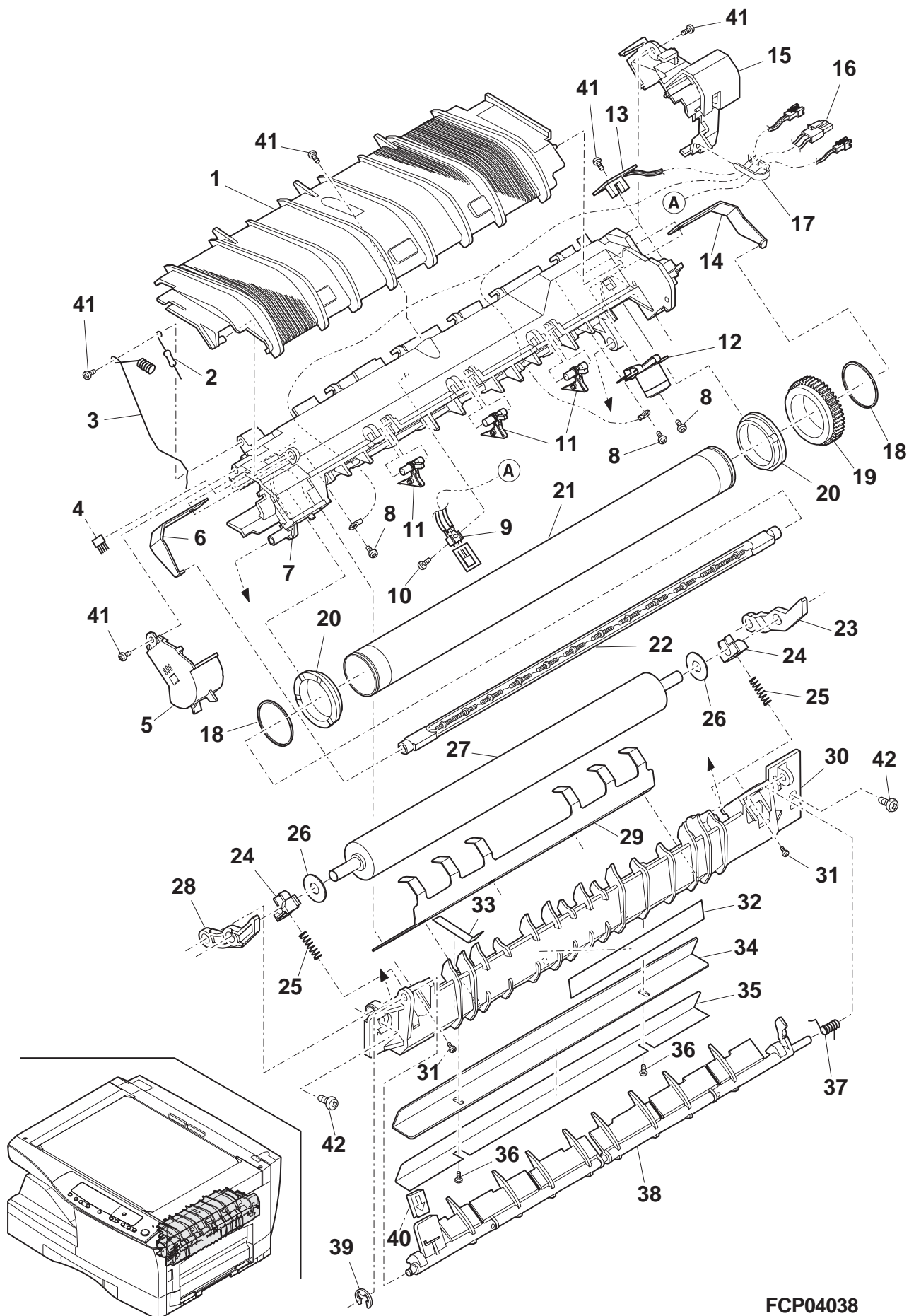


18 Base plate unit 2



FCP04037

19 Fusing unit

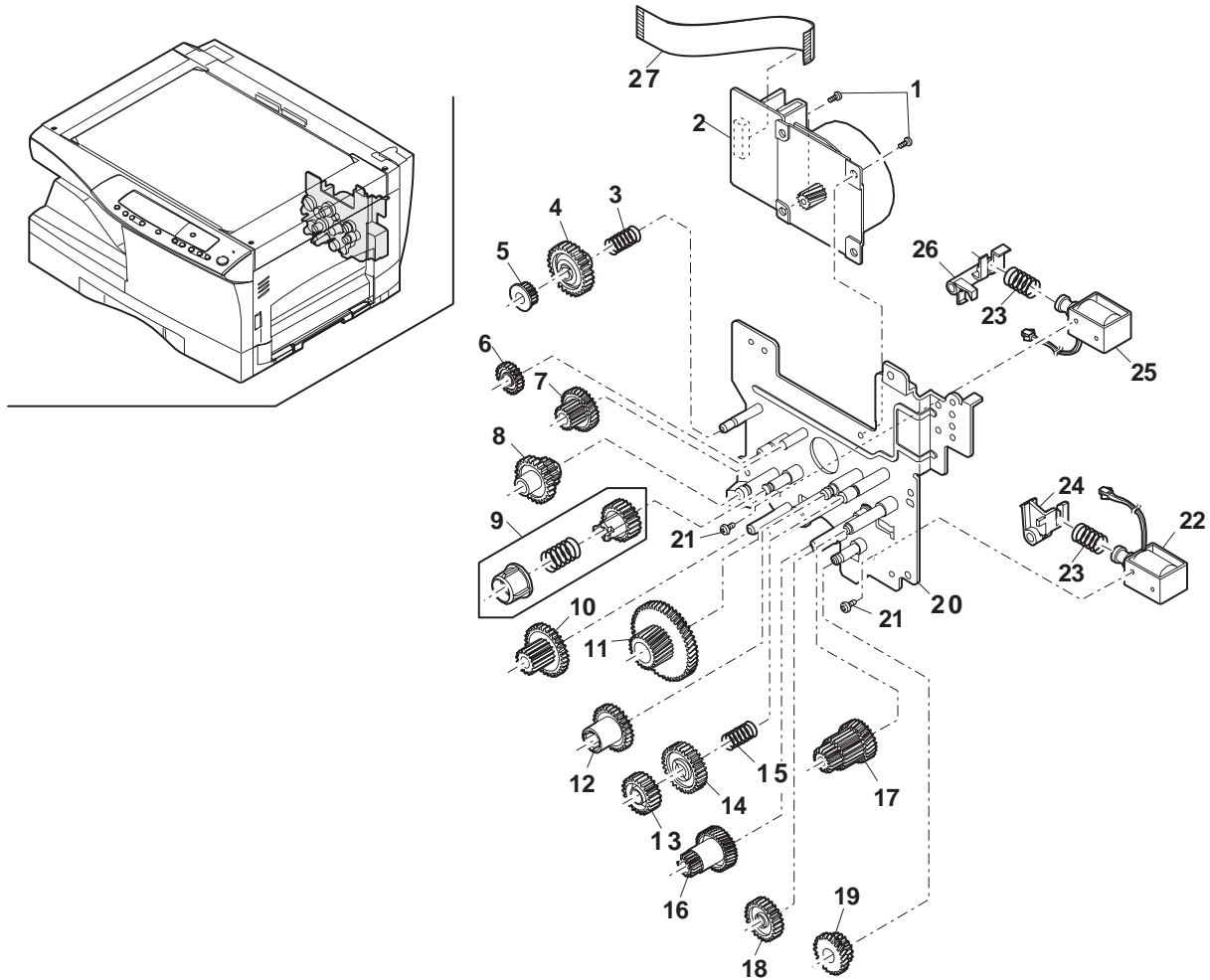


FCP04038

20 Drive unit

NO.	PARTS CODE	PRICE RANK	NEW MARK	PART RANK	DESCRIPTION
1	XBBSD40P06000	AA		C	Screw (4x6)
2	RMOTP0010QSZZ	BN		B	Main motor
3	MSPRC0053QSZZ	AB		C	Pulley spring (AR-150/AR-F151)
4	NGERH0050QSZZ	AD		C	Ratchet gear (33T)(AR-150/AR-F151)
5	NPLYZ0002QSZZ	AC		C	Pulley (17T)(AR-150/AR-F151)
6	NGERH0010QSZZ	AD		C	Gear (28T)
7	NGERH0009QSZZ	AD		C	Gear (46/16T)
8	NGERH0014QSZZ	AD		C	Gear (30/15T)
9	CGERH0011QS51	AE		E	MG gear unit
10	NGERH0015QSZZ	AD		C	Gear (37/15T)
11	NGERH0007QSZZ	AH		C	Gear (68/26T)
12	NGERH0016QSZZ	AD		C	Cupring gear (34T)
13	NGERH0019QSZZ	AD		C	Ratchet gear (21T)
14	NGERH0018QSZZ	AC		C	Ratchet gear (28T)
15	MSPRC0023QSZZ	AB		C	Ratchet spring
16	NGERH0008QSZ1	AL		C	Gear (55/19T)
17	NGERH0017QSZZ	AD		C	Gear (33/20/15T)
18	NGERH0012QSZZ	AE		C	Gear (20T)
19	NGERH0013QSZZ	AG		C	Gear (31/17T)
20	CPLTM0042QS02	AY		C	Main drive plate
21	XBBSD30P04000	AA		C	Screw (3x4)
22	RPLU-0016QSZZ	AN		B	Solenoid
23	MSPRC1318FCZ1	AA		C	Spring B
24	PTME-0002QSZZ	AD		C	PS roller pawl
25	RPLU-0002QSZZ	AN		B	Solenoid
26	PTME-0003QSZ1	AD		C	Roller pawl
27	DHAI-0045QSZZ	AD		C	Main motor harness
(Unit)					
901	CPLTM0042QS54	BV		E	Drive unit (AR-150/AR-F151)
	CPLTM0042QS53	BV		E	Drive unit (AR-155)

20 Drive unit

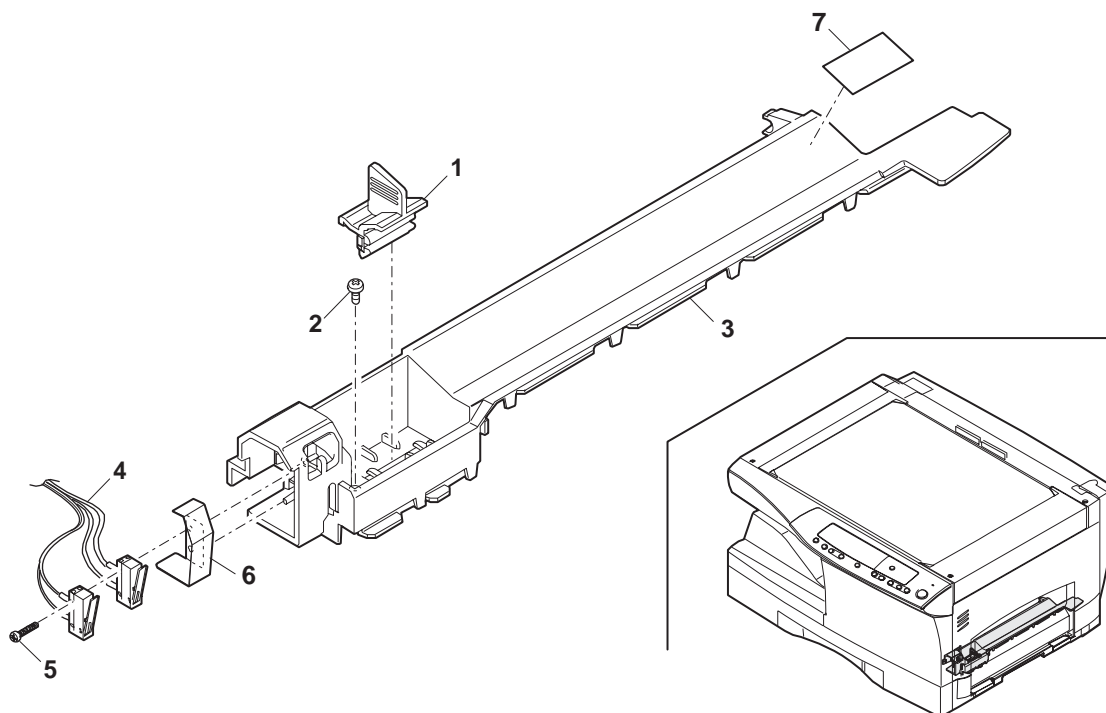


FCP04039

21 Multi Manual paper feeding cover unit

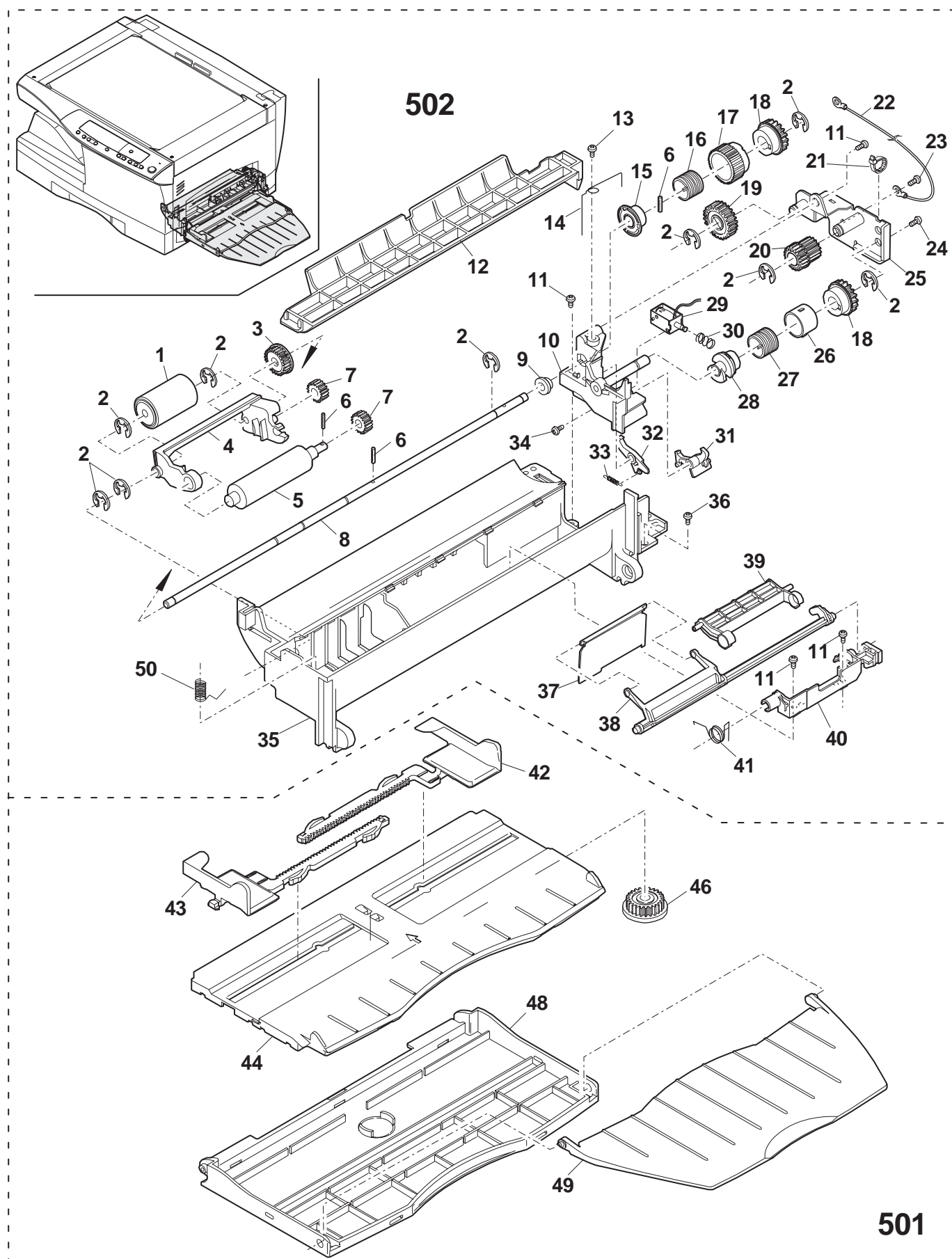
NO.	PARTS CODE	PRICE RANK	NEW MARK	PART RANK	DESCRIPTION
1	CCL EZ 0 0 0 5 QS 5 1	AQ		D	Charger cleaner unit
2	XEBSE 3 0 P 0 8 0 0 0	AA		C	Screw (3×8)
3	PCÖVP 0 0 2 3 QS Z Z	AK		D	Multi upper cover
4	CSW - M 0 0 0 4 QS 5 1	AS		B	Side door detect switch unit
5	XEPSD 2 0 P 1 8 0 0 0	AB		C	Screw (2×18)
6	MSPRP 0 1 1 0 QS Z Z	AE		C	Door switch spring
7	PSHEZ 0 0 7 5 QS Z Z	AC		C	MB upper guide sheet

21 Multi Manual paper feeding cover unit



FCP04040

22 Multi Manual paper feeding unit

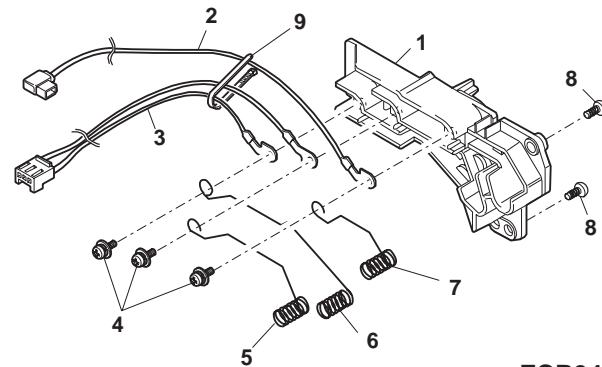
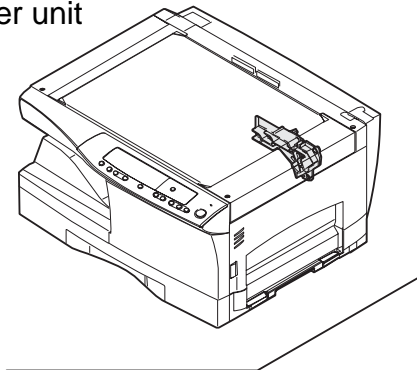


501
FCP04041

23 Socket holder unit

NO.	PARTS CODE	PRICE RANK	NEW MARK	PART RANK	DESCRIPTION
1	LHLDZ0009QSDZ	AG		C	HV interface holder
2	DHAI-0032QSZZ	AH		C	MC harness unit
3	DHAI-0028QSZZ	AN		C	GB-MCFB harness unit
4	XBPSC30P06ES0	AA		C	Screw (3×6ES)
5	MSPRC0017QSZZ	AC		C	HV terminal spring
6	MSPRC0018QSZZ	AC		C	HV terminal spring
7	MSPRC0016QSZZ	AC		C	HV terminal spring
8	XEBSD30P08000	AA		C	Screw (3×8)
9	LBNDJ0013FCZ1	AA		C	Wire band

23 Socket holder unit

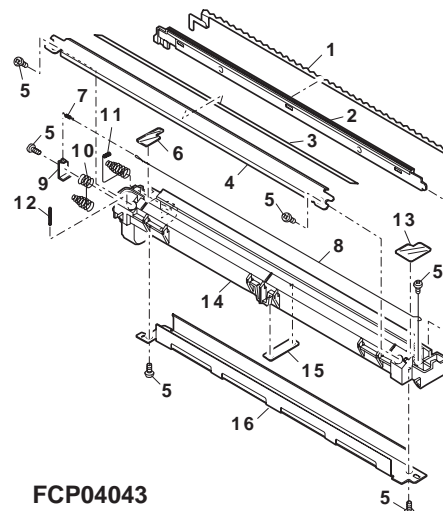
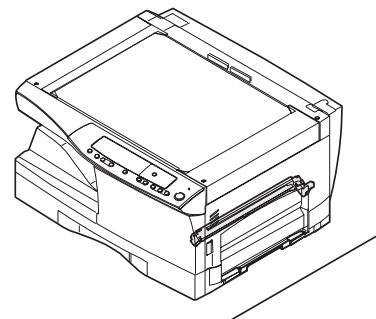


FCP04042

24 TC case unit

NO.	PARTS CODE	PRICE RANK	NEW MARK	PART RANK	DESCRIPTION
1	PSHEZ0018QSZZ	AF		C	Discharge plate sheet
2	PGIDM0011QSZZ	AE		C	Separator guige
3	PSHEP0019QSZZ	AC		C	TC sheet
4	PGIDH0025QSZZ	AG		C	TC front guide
5	XEBSD30P06000	AA		C	Screw (M3×6)
6	PSHEP0021QSZZ	AA		C	TC cover sheet R
7	MSPRT0513FCZ1	AA		C	MC tension spring
8	DWIR-0466CSZZ	BG		C	Charger wire
9	QSLP-0007QSZZ	AC		C	TC electrode plate
10	MSPRC0027QSZZ	AC		C	TC electrode spring
11	MSPRC0028QSZZ	AC		C	BC electrode spring
12	MSPRC0051QSZZ	AA		C	Front guide earth spring
13	PSHEP0020QSZZ	AB		C	TC cover sheet F
14	LHLDZ0010QSZZ	AL		C	TC holder
15	LFIX-0004QSZZ	AC		C	Holer fixing plate
16	PASZ0002QSZZ	AL		D	TC case
	(Unit)				
901	CHLDZ0010QS52	AU		E	Transcription holder unit

24 TC case unit



FCP04043

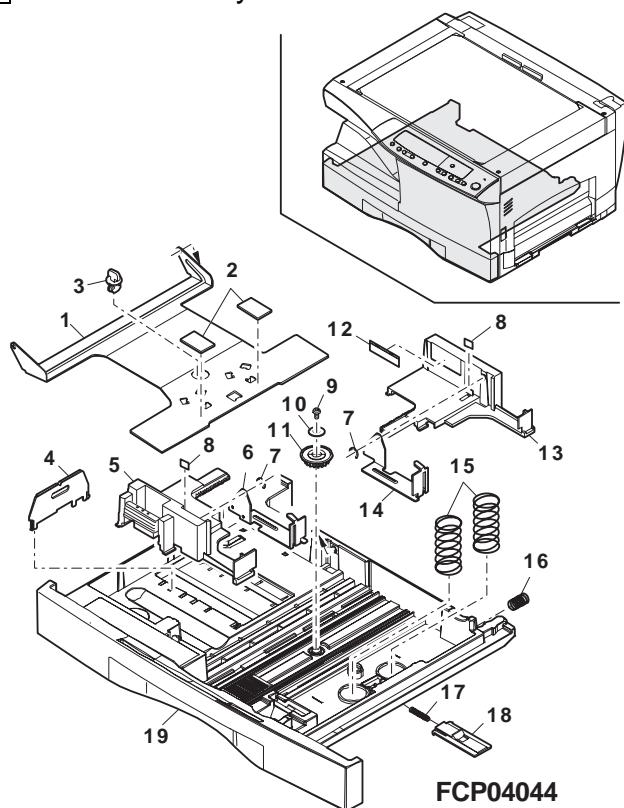
25 250 Sheets tray

NO.	PARTS CODE	PRICE RANK	NEW MARK	PART RANK	DESCRIPTION
1	LPLTM5106FCZZ	AR		C	Turning plate 250
2	PSHEZ4142FCZZ	AC		C	Rotation plate sheet
3	LHLDW1226FCZZ	AB		C	Turn fasner
4	LPLTM2642FCGZ	AD		C	Tray rear plate
5	LPLTP5107FCZZ	AH		C	250 tray side plate F
6	PTME-0255FCZZ	AG		C	250 Tray pawl F
7	XRESP40-06000	AA		C	E type ring
8	PSHEP0061QSZZ	AA		C	Tray guide sheet
9	XEBSE30P08000	AA		C	Screw (3×8)
10	LX-WZ2028SCZZ	AA		C	Washer (φ12)
11	NGERH0193FCZZ	AB		C	UC manual feed gear
12	TLABZ3568FCZZ	AB		D	Indication label
13	LPLTP5108FCZZ	AH		C	250 tray side plate R
14	PTME-0256FCZZ	AG		C	250 Tray pawl R
15	MSPRC0108QSZZ	AC		C	250 Tray spring
16	MSPRC1873FCZ1	AB		C	Tray spring
17	MSPRC1145FCZZ	AA		C	Stopper spring
18	LSTPP0161FCZZ	AB		C	Rotation plate stopper
19	GCASP0001QSZZ	AY		D	250 Tray case
	(Unit)				
901	CCASP0001QS51	BC		E	250 Tray unit

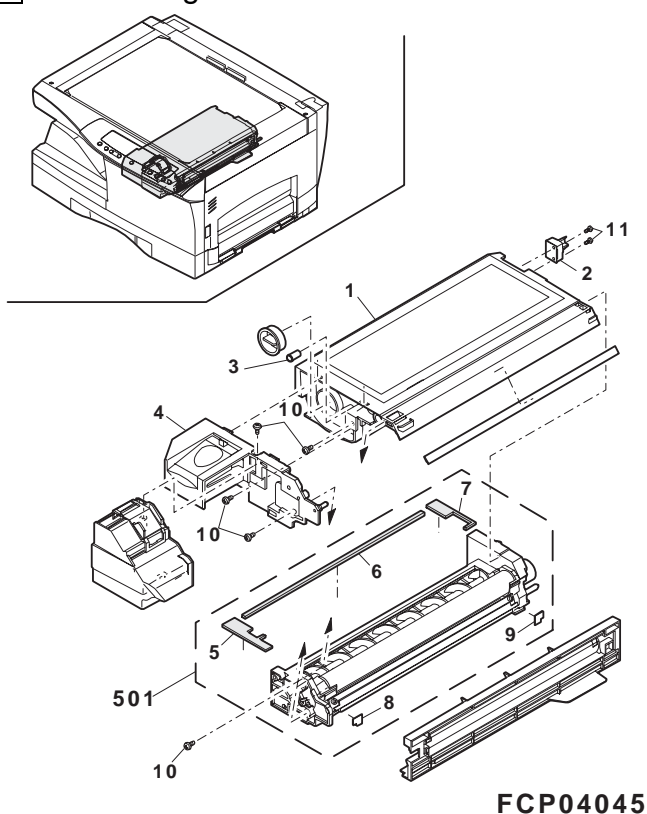
26 DV cartridge unit

NO.	PARTS CODE	PRICE RANK	NEW MARK	PART RANK	DESCRIPTION
1	CB0X-0007YS53	BL	N	E	Toner box unit (AR-150)
	CB0X-0007YS51	BL	N	E	Toner box unit (AR-155)
	CB0X-0007JS54	BL	N	E	Toner box unit (AR-F151)
2	RUNTK0001YSZZ	BB	N	C	IC connector
3	PCAPH0003QSZZ	AC		C	Toner cap
4	CC0VP0004JS51	AK	N	E	DVF cover unit
5	PMLT-0006QSZZ	AC		C	DV cushion F
6	PMLT-0009QSZZ	AC		C	DV cushion
7	PMLT-0007QSZ1	AC		C	DV cushion R
8	PSHEZ0029QSZZ	AD		C	Side sheet F
9	PSHEZ0030QSZZ	AD		C	Side sheet R
10	XEBSF30P08000	AA		C	Screw (3×8)
11	XEBSF30P14000	AA		C	Screw (3×14)
501	CB0X-0002QS53	BL	N	E	DV box unit (AR-150/AR-155)
	CB0X-0002RS54	BX		E	DV box unit (AR-F151)

25 250 Sheets tray



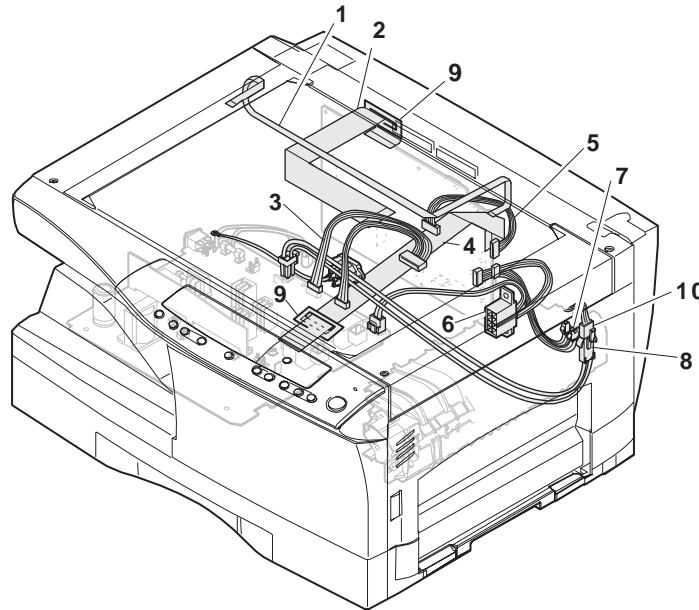
26 DV cartridge unit



27 Harness

NO.	PARTS CODE	PRICE RANK	NEW MARK	PART RANK	DESCRIPTION
1	DHA i - 0041QSZZ	AF		C	CL lead harness
2	DHA i - 0042QSZZ	AK		C	ICU-CCD harness
3	DHA i - 0163QSZZ	AS		C	Center frame harness
4	DHA i - 0040QSZZ	AK		C	OP harness (AR-150/AR-F151)
	DHA i - 0168QSZZ	AK		C	OP harness (AR-155)
5	DHA i - 0045QSZZ	AD		C	Main motor harness
6	DHA i - 0170QSZZ	AS		C	DVS harness
7	DHA i - 0037QSZZ1	AS		C	PPD2 interface harness (100V series)
	DHA i - 0169QSZZ	AQ	N	C	PPD2 interface harness (200V series)
8	DHA i - 0029QSZZ	AN		C	HL harness 1 (100V series)
	DHA i - 0057QSZZ	AN		C	HL harness 1 (200V series)
9	PSHEZ0141QSZZ	AC		C	Core holding mylar
10	DHA i - 0030QSZZ1	AN	N	C	HL harness 2 (100V series)
	DHA i - 0058QSZZ1	AL	N	C	HL harness 2 (200V series)

27 Harness



FCP04046

28 Packing material & accessories

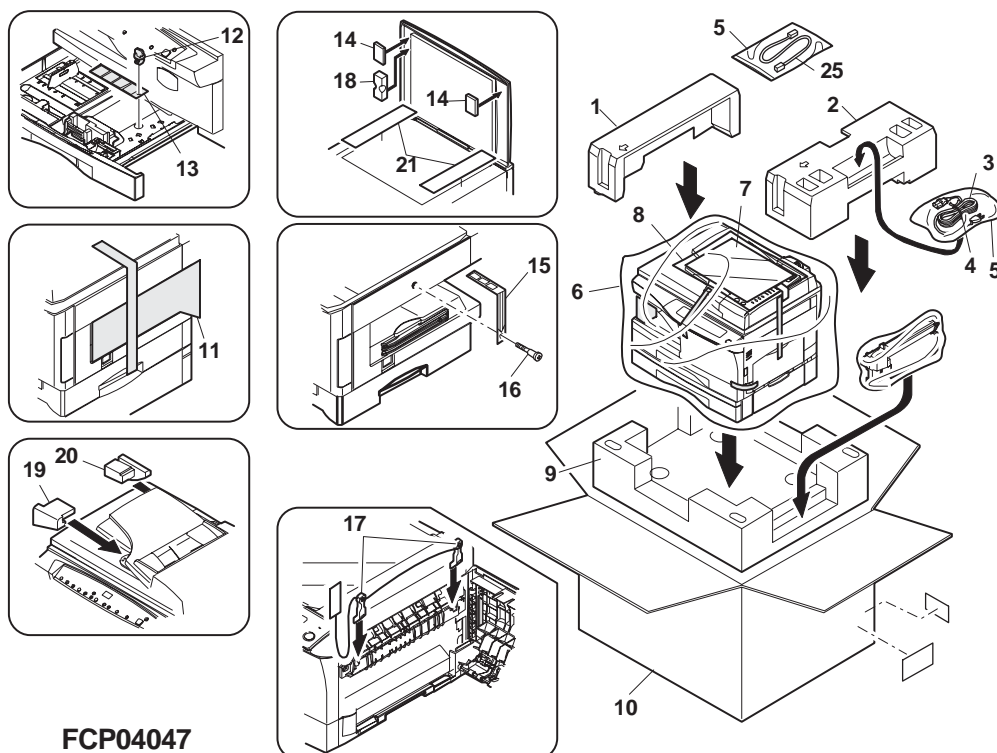
NO.	PARTS CODE	PRICE RANK	NEW MARK	PART RANK	DESCRIPTION
1	SPAKA0063QSZZ	AQ		D	Top packing cushion L (AR-F151)
	SPAKA0208QSZZ	AN	N	D	Top packing cushion L (AR-150)
	SPAKA0191QSZZ	AN		D	Top packing cushion L (AR-155)
2	SPAKA0186QSZZ	AR		D	Top packing cushion R (AR-F151)
	SPAKA0209QSZZ	AQ	N	D	Top packing cushion R (AR-150)
	SPAKA0192QSZZ	AR		D	Top packing cushion R (AR-155)
3	QACCV6621QCN1	AU		B	AC cable (200V series)
	QACCB7620QCN1	AX		B	AC cable (200V series)(Singapore,Malaysia,Saudi Arabia)
	QACCL7621QCZZ	AX		B	AC cable (200V series)(Australia,New Zewland)
	DHA i - 1212FC63	BA	N	B	AC cable unit (100V series)(South Africa)
	QACCB7622QCN1	AZ		B	AC cable (Hong Kong)
	QACCD7618QCZZ	AQ		B	AC cable (Brazil,LAG2)
	QACCJ9610QCZZ	AR		B	AC cable (100V series)(Philippines)
	DHA i - 1212FC61	AV	N	C	AC cable unit (100V series)(Saudi Arabia)
DHA i - 1212FC62	AX	N	C	AC cable unit (Israel)	
4	UBNDA0001FCZZ	AA		C	AC cord band
5	SSAKA5003CCZZ	AA		D	Vinyl bag (140x260mm)
6	UBAGF0039FCZZ	AG		D	Body vinyl bag
7	T i n S E 0369QSZZ	*	N	D	Operation manual (AR-155)(English)(Parts supply SMF)
	T i n S Z 0361QSZZ	*	N	D	Operation manual (AR-155)(Arabic)(Parts supply SMF)
	T i n S S 0359QSZZ	*	N	D	Operation manual (AR-155)(LAG4,LAG2,LAG3)(Parts supply SMF)
	T i n S R 0357QSZZ	*	N	D	Operation manual (AR-155)(Russian)(Parts supply SMF)
	T i n S F 0367QSZZ	*	N	D	Operation manual (AR-150)(French)(Parts supply SMF)
	T i n S S 0358QSZZ	*	N	D	Operation manual (AR-150)(LAG4,LAG3,LAG2,Spanish)(Parts supply SMF)
	T i n S E 0354QSZZ	*	N	D	Operation manual (AR-150)(Hong Kong only)(Parts supply SMF)
	T i n S R 0356QSZZ	*	N	D	Operation manual (AR-150)(Russian)(Parts supply SMF)
	T i n S E 0366QSZZ	*	N	D	Operation manual (AR-150)(English)(Parts supply SMF)
	T i n S Z 0360QSZZ	*	N	D	Operation manual (AR-150)(Arabic)(Parts supply SMF)
	T i n S F 0370QSZZ	*	N	D	Operation manual (AR-155)(French)(Parts supply SMF)
T i n S E 0355QSZZ	*	N	D	Operation manual (AR-155)(Hong Kong only)(Parts supply SMF)	

28 Packing material & accessories

NO.	PARTS CODE	PRICE RANK	NEW MARK	PART RANK	DESCRIPTION
7	T I N S G 0 2 6 4 Q S Z Z	*	N	D	Operation manual Fax (AR-F151)(German)(Parts supply SMF)
	T I N S Z 0 3 4 8 Q S Z Z	*	N	D	Operation manual COPY (AR-F151) (German,Netherlands,English,Spanish,Franch,Italian,Sweden)(Parts supply SMF)
	T I N S i 0 3 4 9 Q S Z Z	*	N	D	Operation manual Fax (AR-F151)(Italian,Spanish)(Parts supply SMF)
	T I N S F 0 2 6 8 Q S Z Z	*	N	D	Operation manual Fax (AR-F151)(Dutch,French)(Parts supply SMF)
	T I N S H 0 3 5 3 Q S Z Z	*	N	D	Operation manual Fax (AR-F151)(Dutch)(Parts supply SMF)
	T I N S S 0 3 9 4 Q S Z Z	*	N	D	Operation manual Fax (AR-F151)(Spanish)(Parts supply SMF)
	T I N S W 0 3 5 2 Q S Z Z	*	N	D	Operation manual Fax (AR-F151)(Swedish)(Parts supply SMF)
	T I N S D 0 3 5 1 Q S Z Z	*	N	D	Operation manual Fax (AR-F151)(Swedish)(Parts supply SMF)
8	S S A K A 2 3 4 7 Q C Z Z	AB		D	Operation manual Fax (AR-F151)(Swedish,English)(Parts supply SMF)
9	S P A K A 0 1 0 6 Q S Z Z	AY		D	Vinyl bag (240x300mm)
	S P A K C 0 1 9 5 Q S Z Z	*		D	Bottom packing cushion SPF
10	S P A K C 0 2 1 0 Q S Z Z	AY		D	Packing (AR-F151)(Parts supply SMF)
	S P A K C 0 2 1 2 Q S Z Z	AZ		D	Packing (AR-150)
	S P A K A 0 0 5 0 Q S Z Z	AE		D	Packing (AR-155)
11	S P A K A 0 0 5 0 Q S Z Z	AE		D	Fixer packing cushion
12	L H L D W 1 2 2 6 F C Z Z	AB		C	Turn fasner
13	T T A G - 0 0 0 2 Q S Z Z	AB		D	Tray rotation tag
14	S P A K A 0 0 5 1 Q S Z Z	AC		D	OC packing cushion (AR-150)
	S P A K A 0 1 6 3 Q S Z Z	AC		D	OC packing cushion (AR-155)
	S P A K A 0 0 6 4 Q S Z 1	*		D	SPF cushion (AR-F151)(Parts supply SMF)
15	T T A G - 0 0 0 3 Q S Z Z	AC		D	Mirror fixing tag
16	L X - B Z 0 0 0 1 Q S Z Z	AD		C	2nd,3rd mirror unit fixing screw
17	C L E V P 0 0 1 6 Q S 0 1	AL		C	Pressure block lever
18	S P A K A 0 0 6 8 Q S Z Z	AD		D	Front exterior sub packing cushion
19	S P A K A 0 1 8 8 Q S Z Z	AF		D	Middle tray packing cushion F (AR-155)
20	S P A K A 0 1 8 9 Q S Z Z	AF		D	Middle tray packing cushion R (AR-155)
21	S P A K A 5 1 1 6 F C Z Z	AB		D	SPF protect sheet (AR-155)
25	Q C N W - 7 2 5 2 H S Z Z	*	N	C	Line cable (AR-F151)(Germany)(Parts supply SMF)
	Q C N W - 7 2 5 3 H S Z Z	*	N	C	Line cable (AR-F151)(France)(Parts supply SMF)
	Q C N W - 7 2 5 4 H S Z Z	*	N	C	Line cable (AR-F151)(Sweden,Netherlands,U.Kingdom,Spain)(Parts supply SMF)
	Q C N W - 0 0 0 3 Q S Z Z	*	N	C	Line cable (AR-F151)(Italy)(Parts supply SMF)
101	T C A D Z 2 0 0 1 Q C Z A	AE		D	Card (AR-150)
102	T C A D Z 2 0 0 1 Q C Z A	AE		D	Card (AR-155)
103	T L A B Z 0 0 5 8 Q S Z Z	AD	N	D	Label (Except UB5,UQ3)
104	T C A U H 0 0 0 7 Q S Z Z	AD		D	Caution label (Except UB5,UQ3)
105	R A D P A 0 0 0 2 Q S Z Z	*	N	D	AC adaptor (U.Kingdom)(Parts supply SMF)
	R A D P A 0 0 0 3 Q S Z Z	*	N	D	AC adaptor H (Netherlands)(Parts supply SMF)
	R A D P A 0 0 0 4 Q S Z Z	*	N	D	AC adaptor B (Netherlands)(Parts supply SMF)
	R A D P A 0 0 0 5 Q S Z Z	*	N	D	AC adaptor (Spain)(Parts supply SMF)
106	T L A B H 0 1 5 3 Q S Z Z	AD	N	D	Key sheet (AR-F151)(German)
	T L A B H 0 1 5 4 Q S Z Z	AD	N	D	Key sheet (AR-F151)(France)
	T L A B H 0 1 5 2 Q S Z Z	AD		D	Key sheet (AR-F151)(other countries)
107	T C A D Z 0 0 4 9 Q S Z Z	AH		D	Card (AR-F151)(Sweden,Spain,Italy,Netherlands,France)
108	G C Ö V Z 0 1 4 9 F C Z Z	AU		D	Dast cover (AR-150)
109	S S A K A 2 3 4 1 Q C Z Z	AA		D	Vinyl bag



28 Packing material & accessories



FCP0407

29 FAX PWB(AR-F151)

NO.	PARTS CODE	PRICE RANK	NEW MARK	PART RANK	DESCRIPTION
1	VHi27C08005QS	BA	N	B	IC (27C08005QS)
2	PSHEZ0190QSZZ	AD		C	Sheet
3	QCNCM7022SC1J	AE		C	Connector (S10B-PH-K-S) [CN501]
4	QCNCW0034QSZZ	AL		C	Connector [CN601]
5	QSÖCZ0051FCZZ	AD		C	IC socket (DICF-42C-E) [IC502]
6	RC-DZ1080RC0L	AR		C	Capacitor (EECS5R5H105) [C515]
7	RC-KZ1053RC1E	AC		C	Capacitor (25WV 1µF) [C656]
8	RCiLZ0007QSZZ	AF		C	Choke coil (CR54-101) [L521]
9	RCiLZ1032CCZZ	AD		C	Coil (SBO-02SAN) [L505,L526,L523,L522,L511,L515]
	RCiLZ1032CCZZ	AD		C	Coil (SBO-02SAN) [L503,L525,L504,L512,L501,L516,L524,L513,L514]
10	RCiLZ1063YCZZ	AC		C	Coil (ACB1608M-60) [L608]
11	RCiLZ7009XCZZ	AC		C	Coil (ACB2012M) [L604,L603,L609,L605,L601]
12	RCRSP6676RCZZ	AG		B	Crystal (32.768KHz) [Y501,Y502]
13	RCRSZ0013QSZZ	AP		B	Crystal (49.192MHz) [Y503]
14	RFiLZ0002QSZZ	AG		C	Filter (LF1290-102) [L1068,L1069]
16	RMPTW4103QCJJ	AB		B	Block resistor (10KΩ×4 1/32W ±5%) [BR550,BR549]
	RMPTW4220QCJJ	AB		B	Block resistor (22Ω ×4) [BR545,BR535,BR534,BR533,BR546,BR547,BR501]
17	RMPTW4220QCJJ	AB		B	Block resistor (22Ω ×4) [BR502,BR520,BR521,BR522,BR523,BR524,BR525]
	RMPTW4220QCJJ	AB		B	Block resistor (22Ω ×4) [BR510,BR507,BR554,BR553,BR552,BR551,BR548]
	RMPTW4220QCJJ	AB		B	Block resistor (22Ω ×4) [BR538,BR536,BR537,BR540,BR539,BR543,BR541]
	RMPTW4220QCJJ	AB		B	Block resistor (22Ω ×4) [BR513,BR514,BR528,BR527,BR529,BR530,BR531,BR532]
18	RMPTW4223QCJJ	AB		B	Block resistor (22KΩ×4) [BR509,BR508,BR542,BR544]
	RMPTW4390QCJJ	AA		B	Block resistor (1/32W 39Ω×4) [BR506,BR505,BR504,BR503,BR511,BR512,BR557]
19	RMPTW4390QCJJ	AA		B	Block resistor (1/32W 39Ω×4) [BR556,BR555,BR561,BR560,BR559,BR558,BR515]
	RMPTW4390QCJJ	AA		B	Block resistor (1/32W 39Ω×4) [BR516,BR526,BR517,BR518,BR519]
20	RTRNZ7014XCZZ	AR		B	Transformer (970219) [T1001]
21	UBATL2034SCZZ	AH		B	Battery (CR2354) [BT501]
22	VCCCCY1EH102J	AB		C	Capacitor (1608Type/1000pF/CH) [C623]
23	VCCCCY1HH101J	AA		C	Capacitor (50WV 100pF) [C626,C635]
24	VCCCCY1HH180J	AA		C	Capacitor (50WV 18pF) [C620,Manual attachment]
25	VCCCCY1HH201J	AA		C	Capacitor (50WV 200pF) [C655,C650,C639]
26	VCCCCY1HH220J	AA		C	Capacitor (50WV 22pF) [C614,C613]
27	VCCCTQ1HH332J	AC		C	Capacitor (50WV 3300pF) [C624]
28	VCCCTV1HH330J	AA		C	Capacitor (50WV 33pF) [Manual attachment]
29	VCEAEU1CW107M	AB		C	Capacitor (16WV 100µF) [C564,C560,C516]
30	VCEAEA1HW335M	AA		C	Capacitor (50WV 3.3µF) [C1004]
31	VCEAGA0JW107M	AC		C	Capacitor (0.63WV 100µF) [C569,C562,C559,C546,C557,C561,C563]
32	VCEAGA1AW226M	AB		C	Capacitor (10WV 22µF) [C540,C541,C572,C573,C565,C529,C528,C506,C509,C568,C531,C554]
33	VCEAGU1CW106M	AA		C	Capacitor (16WV 10µF) [C567,C513,C510,C519]
34	VCEAGU1CW226M	AA		C	Capacitor (16WV 22µF) [C558,C1040]
35	VCEAGU1CW476M	AB		C	Capacitor (16WV 47µF) [C566]
36	VCFYJU2EA224K	AD		C	Capacitor (250WV 0.22µF) [C1006]
37	VCFYJU2EA334K	AD		C	Capacitor (250WV 0.33µF) [C555]
38	VCFYJU2EA474K	AD		C	Capacitor (250WV 0.47µF) [C1003]
39	VCFYJU2EA824K	AE		C	Capacitor (250WV 0.82µF) [C571]
40	VCKYCY1CB333K	AB		C	Capacitor (16WV 0.033µF) [C538]
	VCKYCY1EF104Z	AA		C	Capacitor (25WV 0.10µF) [C601,C628,C630,C652,C654,C653,C660,C617]
	VCKYCY1EF104Z	AA		C	Capacitor (25WV 0.10µF) [C631,C532,C633,C642,C643,C644,C645]
	VCKYCY1EF104Z	AA		C	Capacitor (25WV 0.10µF) [C664,C641,C658,C637,C638,C636,C612]
	VCKYCY1EF104Z	AA		C	Capacitor (25WV 0.10µF) [C608,C616,C609,C610,C634,C618,C649,1]
	VCKYCY1EF104Z	AA		C	Capacitor (25WV 0.10µF) [C651,C625,C602,C646,C647,C640,C648]
	VCKYCY1EF104Z	AA		C	Capacitor (25WV 0.10µF) [C657,C659,C615,C619,C667]
	VCKYCY1EF104Z	AA		C	Capacitor (25WV 0.10µF) [C503,C556,.,C521,C511,C552,C532,C533]
	VCKYCY1EF104Z	AA		C	Capacitor (25WV 0.10µF) [C534,C570,C535,C536,C537,C550,C547]
	VCKYCY1EF104Z	AA		C	Capacitor (25WV 0.10µF) [C548,C549,C551,C545,C520,C543,C544]
	VCKYCY1EF104Z	AA		C	Capacitor (25WV 0.10µF) [C553,C512,C514,C523,C524,C502,C501]
	VCKYCY1EF104Z	AA		C	Capacitor (25WV 0.10µF) [C504,C542,C527,C507,C508,C1039,C1041]
42	VCKYCY1HB103K	AA		C	Capacitor (50WV 0.010µF) [C662,C611,C663]
43	VCKYCY1HB331K	AA		C	Capacitor (50WV 330pF) [C539]
44	VCKYCY1HB391K	AB		C	Capacitor (50WV 390pF) [C665,C666]
45	VCKYCY1HF473Z	AA		C	Capacitor (50WV 0.047µF) [C629,C627,C661]
46	VCQYNA1HM102K	AA		C	Capacitor (50WV 1000pF) [C1036]
47	VCQYNA1HM333K	AA		C	Capacitor (50WV 0.033µF) [C1010]
49	VCQYNU1HM332J	AC		C	Capacitor (50WV 3300pF) [C530]
50	VCQYNU1HM683J	AC		C	Capacitor (50WV 0.068µF) [C522]
51	VHDDAN202U/-1	AB		B	Diode (DAN202U) [DA604,DA603]
52	VHDDAP202U/-1	AB		B	Diode (DAP202U) [DA601,DA602]
53	VHDDSS133///-1	AA		B	Diode (DSS133) [D1029,D1005]
54	VHDEK14/////-1	AE		B	Diode (EK14) [D502,D501,D505]
55	VHDRB501V40-1	AD		B	Diode (RB501V-40) [D607]
56	VHDS1NB60///-1	AD		B	Diode (S1NB60) [B1001]
57	VHD1SS355///-1	AB		B	Diode (1SS355) [D605,D606,D604,D603]
58	VHD10E1/////-1	AA		B	Diode (10E1) [D503]
59	VHEHZ3B1/////-1	AB		B	Zener diode (HZ3B1) [ZD1033,ZD1034]
60	VERD27EB///-1	AB		B	Zener diode (RD27EB) [ZD1007]
61	VERD4.3EL3-1	AB		B	Zener diode (RD4.3EL3) [ZD505,ZD506]
62	VERD5.6EB///-1	AC		B	Zener diode (RD5.6E-B) [ZD1040]
63	VHiBU4051BCF/	AF		B	IC (BU4051BCF) [IC608]
64	VHiBU4053BCF1	AE		B	IC (BU4053BCF1) [IC605,IC516,IC1004]

29 FAX PWB(AR-F151)

NO.	PARTS CODE	PRICE RANK	NEW MARK	PART RANK	DESCRIPTION
65	VHiCGS410// -1	AU		B	IC (CGS410) [IC508]
66	VHiCG46533175	BA		B	IC (CG46533175) [IC509]
67	VHiHY18164CSJ	AZ		B	D RAM (HY18164CSJ) [IC504]
68	VHiLC8213K/-1	AZ		B	IC (LC8213K) [IC505]
69	VHiLM311// -1F	AD		B	IC (LM311) [IC607]
70	VHiLM386M// -1	AE		B	IC (LM386M) [IC609]
71	VHiLZ9FH19//	AV		B	IC (LZ9FH19) [IC506]
72	VHiMC34063P-1	AN		B	IC (MC34063P) [IC513]
73	VHiNJM084M/-F	AH		B	IC (NJM084M) [IC606]
74	VHiNJM4558MF1	AE		B	IC (NJM4558MF1) [IC1003]
75	VHiNJU6355E-1	AM		B	IC (NJU6355E) [IC602]
76	VHiNSFX200-25	BG		B	IC (NSFX200-25) [IC503]
77	VHiNS32FX164/	BG		B	IC (NS32FX164) [IC507]
78	VHiTHS56F// -1	AS		B	IC (THS56F) [IC1001]
79	VHiTL431CLP-2	AG		B	IC (TL431CLP-2) [IC514]
80	VHiULN2003ANS	AE		B	IC (ULN2003ANS) [IC603]
81	VHiW166G// //	AT		B	IC (W166G) [IC604]
82	VHiW24257A12J	AN		B	IC (W24257A12J) [IC512]
83	VHiW2465S70LL	AW		B	IC (W2465S70LL) [IC501]
84	VHi1816-6// -1	AZ		B	IC (1816-6) [IC515,IC510]
85	VHi74VHC11//	AF		B	IC (74VHC11) [IC601]
86	VHPPC817// // -1	AF		B	Photo coupler (PC817) [ISO502]
87	VHPTLP627// -1	AH		B	Photo coupler (TLP627) [ISO501]
88	VHVRA501PV6-1	AE		B	Varistor (RA501PV6) [V1002,V1003]
90	VRD-HT2EY181J	AA		C	Resistor (1/4W 180Ω ±5%) [R502]
91	VRD-HT2EY303J	AA		C	Resistor (1/4W 30KΩ ±5%) [R1002]
92	VRD-HT2EY392J	AA		C	Resistor (1/4W 3.9KΩ ±5%) [R523]
93	VRD-HT2EY4R7J	AA		C	Resistor (1/4W 4.7Ω ±5%) [R521]
94	VRD-HT2EY473J	AA		C	Resistor (1/4W 47KΩ ±5%) [R1038]
95	VRD-HT2EY561J	AA		C	Resistor (1/4W 560Ω ±5%) [R1004]
96	VRD-HT2EY822J	AA		C	Resistor (1/4W 8.2KΩ ±5%)
97	VRD-HT2HY101J	AA		C	Resistor (1/2W 100Ω ±5%) [R501]
99	VRD-HT2HY122J	AA		C	Resistor (1/2W 1.2KΩ ±5%) [R1040]
100	VRD-HT2HY561J	AA		C	Resistor (1/2W 560Ω ±5%) [R503]
101	VRS-CY1JD000J	AA		C	Resistor (1/16W 0Ω ±5%) [R732,R728,R670,R730,R621,R633]
102	VRS-CY1JD100J	AA		C	Resistor (1/16W 10Ω ±5%) [R725,R1018,R1031]
103	VRS-CY1JD101J	AA		C	Resistor (1/16W 100Ω ±5%) [R666,R622,R607]
104	VRS-CY1JD102J	AA		C	Resistor (1/16W 1.0KΩ ±5%) [R647,R664,R703,R673]
105	VRS-CY1JD103J	AA		C	Resistor (1/16W 10KΩ ±5%) [R669,R726,R727,R627,R663,R661,R665]
	VRS-CY1JD103J	AA		C	Resistor (1/16W 10KΩ ±5%) [R605,R717,R718,R704,R705,R514,R695]
	VRS-CY1JD103J	AA		C	Resistor (1/16W 10KΩ ±5%) [R511,R733,R734,R729,R719,R690,R691]
	VRS-CY1JD103J	AA		C	Resistor (1/16W 10KΩ ±5%) [R688,R689,R686,R687,R684,R682,R685]
	VRS-CY1JD103J	AA		C	Resistor (1/16W 10KΩ ±5%) [R683,R680,R681,R678,R679,R676,R677]
106	VRS-CY1JD104J	AA		C	Resistor (1/16W 100KΩ ±5%) [R693,R700,R699,R675,R698,R696,R697,R644,R620,R624]
107	VRS-CY1JD105J	AA		C	Resistor (1/16W 1.0MΩ ±5%) [R614]
108	VRS-CY1JD106J	AA		C	Resistor (1/16W 10MΩ ±5%) [R619]
109	VRS-CY1JD121J	AA		C	Resistor (1/16W 120Ω ±5%) [R618]
110	VRS-CY1JD123J	AA		C	Resistor (1/16W 12KΩ ±5%) [R723]
111	VRS-CY1JD181J	AA		C	Resistor (1/16W 180Ω ±5%) [R668,R650,R649,R507,R508,R506,R648]
	VRS-CY1JD181J	AA		C	Resistor (1/16W 180Ω ±5%) [R662,R623,R646,R645,R505,R660]
112	VRS-CY1JD182J	AA		C	Resistor (1/16W 1.8KΩ ±5%) [R714]
113	VRS-CY1JD221J	AA		C	Resistor (1/16W 220Ω ±5%) [R671,R667,R720]
114	VRS-CY1JD222J	AA		C	Resistor (1/16W 2.2KΩ ±5%) [R604,R712]
115	VRS-CY1JD223J	AA		C	Resistor (1/16W 22KΩ ±5%) [R631,R520,R653,R707,R694]
116	VRS-CY1JD330J	AA		C	Resistor (1/16W 33Ω ±5%) [R630,R639,R642,R640,R641]
117	VRS-CY1JD331J	AA		C	Resistor (1/16W 330Ω ±5%) [R711,R706,R638,R643]
118	VRS-CY1JD333J	AA		C	Resistor (1/16W 33KΩ ±5%) [R610]
119	VRS-CY1JD390J	AA		C	Resistor (1/16W 39Ω ±5%) [R615,R616,R625,R617,R613,R722,R724]
120	VRS-CY1JD472J	AA		C	Resistor (1/16W 4.7KΩ ±5%) [R606,R609]
121	VRS-CY1JD473J	AA		C	Resistor (1/16W 47KΩ ±5%) [R515,R611,R612]
122	VRS-CY1JD511J	AA		C	Resistor (1/16W 510Ω ±5%) [R716]
123	VRS-CY1JD512J	AA		C	Resistor (1/16W 5.1KΩ ±5%) [R517,R603]
124	VRS-CY1JD562J	AA		C	Resistor (1/16W 5.6KΩ ±5%) [R516]
125	VRS-CY1JD622J	AA		C	Resistor (1/16W 6.2KΩ ±5%) [R624]
126	VRS-CY1JD750J	AA		C	Resistor (1/16W 75Ω ±5%) [R721]
127	VRS-CY1JD821J	AA		C	Resistor (1/16W 820Ω ±5%) [R713]
128	VRS-CY1JD822J	AA		C	Resistor (1/16W 8.2KΩ ±5%) [R651]
129	VRS-CY1JD911J	AA		C	Resistor (1/16W 910Ω ±5%) [R652]
130	VRS-RE3AA333J	AK		C	Resistor (1W 33KΩ ±5%) [R1251]
131	VRS-RE3DA101J	AB		C	Resistor (2W 100Ω ±5%) [R1003]
132	VRS-TS2AD000J	AA		C	Resistor (1/10W 0Ω ±5%) [L508,L509,L510,L606]
133	VRS-TS2AD680J	AA		C	Resistor (1/10W 68Ω ±5%) [L607]
134	VRSCY1JD1542F	AA		C	Resistor (1/16W 15.4KΩ ±1%) [R709]
135	VRSCY1JD2153F	AA		C	Resistor (1/16W 215KΩ ±1%) [R672]
136	VRSCY1JD2433F	AA		C	Resistor (1/16W 243KΩ ±1%) [R674]
137	VRSCY1JD3740F	AA		C	Resistor (1/16W 374KΩ ±1%) [R519]
138	VRSCY1JD3921F	AA		C	Resistor (1/16W 3.92KΩ ±1%) [R701]
139	VRSCY1JD4642F	AA		C	Resistor (1/16W 46.4KΩ ±1%) [R637,R636,R702]

29 FAX PWB(AR-F151)

NO.	PARTS CODE	PRICE RANK	NEW MARK	PART RANK	DESCRIPTION
140	VRSCY1JD4872F	AA		C	Resistor (1/16W 48.7KΩ ±1%) [R635]
141	VRSCY1JD5112F	AA		C	Resistor (1/16W 51.1KΩ ±1%) [R710,R654]
142	VRSCY1JR5622F	AA		C	Resistor (1/16W 56.2KΩ ±1%) [R518,R655]
143	VSBUK554/200A	AN		B	Transistor (BUK554/200A) [Q1001]
144	VSDTC114EKA-1	AC		B	Transistor (DTC114EKA) [Q1003,Q1004]
145	VS2SC3382-/-1	AD		B	Transistor (2SC3382) [Q504,Q1002]
146	VS2SC3708-/-1	AD		B	Transistor (2SC3708) [Q501]
147	XBPSD30P08000	AA		C	Screw (3×8)
148	XNESD30-24000	AA		C	Nut (M3)
149	XWHSDD30-05080	AA		C	Washer
	(Unit)				
901	CPWBX0044QS51	*	N	E	FAX PWB (AR-F151)(Italy,Sweden,Netherlands,France)(Parts supply SMF)

30 Fax panel PWB(AR-F151)

NO.	PARTS CODE	PRICE RANK	NEW MARK	PART RANK	DESCRIPTION
1	PSPAF0013QSZZ	AD		C	LCD spacer
2	QCNCM0811FCZZ	AC		C	Connector (9pin) [CN701]
3	QSW-P0005QSZZ	AC		B	Tact swtch (B3F-6102) [S701~747]
4	RCRMZ0002QSZZ	AE		C	Crystal [Y701]
5	RVR-B1440QCZZ	AF		B	Volume (RK09J11TO) [VR701]
6	VCCCTV1HH471J	AA		C	Capacitor (50WV 470pF) [C705~707]
7	VCEAJU1CW226M	AB		C	Capacitor (16WV 22μF) [C702,703]
8	VCKYTV1EB104K	AA		C	Capacitor (25WV 0.10μF) [C701,704,711,712,714~718]
9	VHDDAN202U/-1	AB		B	Diode (DAN202U) [D704,705]
10	VHDDAP202U/-1	AB		B	Diode (DAP202U) [D706,707]
11	VH1HD4074344/-	AX		B	CPU (HD4074344) [IC701]
12	VH1NJM431U/-1	AF		B	IC (NJM431U) [IC703]
13	VHP1LHLE-002A	AC		B	LED (1LHLE-002A) [D701~703]
14	VRS-TP2BD000J	AA		C	Resistor (1/8W 0Ω ±5%) [J701~746]
15	VRS-TS2AD101J	AA		C	Resistor (1/10W 100Ω ±5%) [R750]
16	VRS-TS2AD102J	AA		C	Resistor (1/10W 1.0KΩ ±5%) [R716~729,740~742]
17	VRS-TS2AD103J	AA		C	Resistor (1/10W 10KΩ ±5%) [R730]
18	VRS-TS2AD105J	AA		C	Resistor (1/10W 1MΩ ±5%) [R739]
19	VRS-TS2AD202J	AA		C	Resistor (1/10W 2KΩ ±5%) [R752]
20	VRS-TS2AD203J	AA		C	Resistor (1/10W 20KΩ ±5%) [R701~715,734~737,748,749]
21	VRS-TS2AD242F	AB		C	Resistor (1/10W 2.4KΩ ±1%) [R733]
22	VRS-TS2AD272F	AA		C	Resistor (1/10W 2.7KΩ ±1%) [R732]
23	VRS-TS2AD391J	AA		C	Resistor (1/10W 390Ω ±5%) [R745~747]
25	VSDTA143EK/-1	AB		B	Transistor (DTA143EK) [Q701]
26	VVLHLM3212-01	BA		E	LCD (HLM3212) [IC702]
	(Unit)				
901	CPWBF0046QS51	BH		E	Fax panel PWB

31 Operation PWB

NO.	PARTS CODE	PRICE RANK	NEW MARK	PART RANK	DESCRIPTION
1	QCNCM0861FCZZ	AB		C	Connector (3pin) [CN802]
2	QCNCW1132LC1H	AD		C	Connector (18pin) [CN801]
3	QSW-P0005QSZZ	AC		B	Tact swtch (B3F-6102)(AR-F151/AR-150) [CLK,PSW,1UPK,10UPK,ZUPK,ZDVK,OLK]
	QSW-P0005QSZZ	AC		B	Tact swtch (B3F-6102)(AR-F151/AR-150) [MAGK,CRSK,EXUPK,EXMODK,BPK,EXDVK]
	QSW-P0005QSZZ	AC		B	Tact swtch (B3F-6102)(AR-155) [CLK,PSW,1UPK,10UPK,ZUPK,ZDVK,MAGK,CRSK]
	QSW-P0005QSZZ	AC		B	Tact swtch (B3F-6102)(AR-155) [EXUPK,EXMODK,BPK,EXDVK,DUPK,OLK]
4	VCCCTV1HH201J	AA		C	Capacitor (50WV 200pF) [C904,905,906]
5	VCEAJU1CW476M	AB		C	Capacitor (16WV 47μF) [C802]
6	VCKYTV1EB104K	AA		C	Capacitor (25WV 0.10μF) [C907,908]
7	VCKYTV1HB102K	AA		C	Capacitor (50WV 1000pF) [C909~920,922]
8	VCKYTV1HB223K	AA		C	Capacitor (50WV 0.022μF) [C901,903]
9	VHDDSS133/-1	AA		B	Diode (DSS133) [D801~810]
10	VH1LC7935/-1	AN		B	IC (LC7935) [IC901]
11	VH1TC74HC151F	AG		B	IC (TC74H151F) [IC902,903]
12	VHP1LHLE-002A	AC		B	LED(Green) (1LHLE-002A)(AR-F151) [CS1L,EXD,EXN,EXL,AE,ZPL,1ENR]
	VHP1LHLE-002A	AC		B	LED(Green) (1LHLE-002A)(AR-F151) [2ENR,NOR,1RE,2RE,3RE,ME,PE]
	VHP1LHLE-002A	AC		B	LED(Green) (1LHLE-002A)(AR-F151) [BPL,RPL,ONLL,SPFL,CS2L,PML]
	VHPCST338G-25	AP		B	LED(Green) (AR-150) [CS1L,EXD,EXN,EXL,AE,ZPL,1ENR]
	VHPCST338G-25	AP		B	LED(Green) (AR-150) [2ENR,NOR,1RE,2RE,3RE,ME,PE]
	VHPCST338G-25	AP		B	LED(Green) (AR-150) [BPL,RPL,ONLL,SPFL,CS2L,PML,DATL]
	VHPCST338G-25	AP		B	LED(Green) (AR-155) [CS1L,EXD,EXN,EXL,AE,ZPL,1ENR,2ENR]
	VHPCST338G-25	AP		B	LED(Green) (AR-155) [NOR,1RE,2RE,3RE,ME,PE,BPL]
	VHPCST338G-25	AP		B	LED(Green) (AR-155) [RPL,ONLL,SPFL,CS2L,PML,DATL]
	VHPCST338G-25	AP		B	LED(Green) (AR-155) [DAA1,DAA2,DU21,DU22]

31 Operation PWB

NO.	PARTS CODE	PRICE RANK	NEW MARK	PART RANK	DESCRIPTION
13	VHP1LHEE-002A	AC		B	LED (Red) (1LHEE-002A) [TPL,DPL,JPL,MPL,SJAL]
14	VHPCST338G-25	AP		B	LED (CST338G-25)
15	VRS-TP2BD000J	AA		C	Resistor (1/8W 0Ω ±5%) [J701~757]
16	VRS-TS2AD101J	AA		C	Resistor (1/10W 100Ω ±5%) [R948~960]
17	VRS-TS2AD102J	AA		C	Resistor (1/10W 1.0KΩ ±5%) [R932~935,944~946]
18	VRS-TS2AD103J	AA		C	Resistor (1/10W 10KΩ ±5%) [R962]
19	VRS-TS2AD121J	AA		C	Resistor (1/10W 120Ω ±5%) [R902~918]
20	VRS-TS2AD151J	AA		C	Resistor (1/10W 150Ω ±5%) [R939~941]
21	VRS-TS2AD152J	AA		C	Resistor (1/10W 1.5KΩ ±5%) [R936,937,938]
22	VRS-TS2AD472J	AA		C	Resistor (1/10W 4.7KΩ ±5%) [R919~930,947]
23	VRS-TS2AD511J	AA		C	Resistor (1/10W 510Ω ±5%) [R942,943]
24	VSDTB113ZK/-1	AD		B	Transistor (DTB113ZK) [Q901,902,903]
	(Unit)				
901	CPWBF0014QS59	BQ		E	Operation PWB (AR-F151)
	CPWBF0014QS62	BA		E	Operation PWB (AR-150)
	CPWBF0014QS56	BA		E	Operation PWB (AR-155)

32 Memory PWB(6MB)

NO.	PARTS CODE	PRICE RANK	NEW MARK	PART RANK	DESCRIPTION
1	QCNCM0011QSZZ	AH		C	Connector (40pin) [CN701]
2	VCKYTQ1HF104Z	AA		C	Capacitor (50WV 0.10μF) [C701,702,705]
3	VCKYTV1HB223K	AA		C	Capacitor (50WV 0.022μF) [C703]
4	VHi16163CLT-6	BA		B	DRAM (16163CLT-6) [IC701,702,703]
5	VRS-TS2AD100J	AA		C	Resistor (1/10W 10Ω ±5%) [R701~735]
	(Unit)				
901	CPWBF0013QS52	BL		E	Memory PWB 6MB

33 POD sensor PWB

NO.	PARTS CODE	PRICE RANK	NEW MARK	PART RANK	DESCRIPTION
1	DHAi-0034QSZZ	AQ		C	POD harness
2	LBNDJ0037FCZ1	AA		C	Wire band (T18S)
3	VCKYPU1HB102K	AA		C	Capacitor (50WV 0.001μF)
4	VHPGP1S53V/-1	AE		B	Photo transistor (GP1S53V)
	(Unit)				
901	CPWBF1177FC57	AG		E	POD sensor PWB

34 PPD1 sensor PWB

NO.	PARTS CODE	PRICE RANK	NEW MARK	PART RANK	DESCRIPTION
1	DHAi-0035QSZZ	AF		C	PPD1 harness
2	LBNDJ0037FCZ1	AA		C	Wire band (T18S)
3	VCKYPU1HB102K	AA		C	Capacitor (50WV 0.001μF)
4	VHPGP1S53V/-1	AE		B	Photo transistor (GP1S53V)
	(Unit)				
901	CPWBF1177FC58	AG		E	PPD1 sensor PWB

35 PPD2 sensor PWB

NO.	PARTS CODE	PRICE RANK	NEW MARK	PART RANK	DESCRIPTION
1	DHAi-0036QSZZ	AQ		C	PPD2 harness
2	LBNDJ0037FCZ1	AA		C	Wire band (T18S)
3	VCKYPU1HB102K	AA		C	Capacitor (50WV 0.001μF)
4	VHPGP1S53V/-1	AE		B	Photo transistor (GP1S53V)
	(Unit)				
901	CPWBF1177FC59	AG		E	PPD2 sensor PWB

36 MCU PWB

NO.	PARTS CODE	PRICE RANK	NEW MARK	PART RANK	DESCRIPTION
1	QCNCM0879FCZZ	AF		C	Connector (28Pin) [CN3]
2	QCNCM0923FC10	AE		C	Connector (10Pin) [CN17]
3	QCNCM0923FC14	AE		C	Connector (14pin) [CN6]
4	QCNCM0923FC18	AF		C	Connector (18pin) [CN23]
5	QCNCM0923FC24	AF		C	Connector (24pin) [CN26]
6	QCNCM1005MCZZ	AB		C	Connector (2pin) [CN9]
7	QCNCM1069AC0D	AC		C	Connector (4pin) [CN4]
8	QCNCM1119LC0C	AC		C	Connector (3pin) [CN10,31]
9	QCNCM1119LC0E	AC		C	Connector (5pin) [CN13]
10	QCNCM2401SC0C	AB		C	Connector (3pin) [CN14]
12	QCNCM2401SC0E	AC		C	Connector (5pin) [CN12]
13	QCNCM2401SC0F	AB		C	Connector (6pin) [CN29]
14	QCNCM7014SC0C	AA		C	Connector (3pin) [CN7,22,27]
15	QCNCM7014SC0D	AB		C	Connector (4pin) [CN11]
16	QCNCM7014SC0E	AB		C	Connector (5pin) [CN21]
17	QCNCP0340QCZZ	AC		C	Connector (3pin) [CN1]
18	QCNCW0012QSZZ	AH		C	Connector (40pin) [CN16]
19	QCNCW0015QSZZ	AE		C	Connector (5pin) [CN28]
20	QCNCW0024QSZZ	AF		C	Connector (32pin) [CN30]
22	QCNCW0948FCZ5	AC		C	Connector (5pin) [CN19]
23	QCNCW1124LC0D	AB		C	Connector (4pin) [CN25]
24	QCNCW1124LC0H	AC		C	Connector (8pin) [CN18]
25	QCNCW1124LC1H	AD		C	Connector (18pin) [CN20]
26	QCNCW1124LC3A	AE		C	Connector (31FE-BT-VK-N) [CN15]
27	QSOCZ0002GCZZ	AD		C	IC socket (40pin) [(IC6)]
28	QSOCZ6408ACZZ	AB		C	8P DIP socket [(IC16)]
29	RCiLZ0003QSZZ	AC		C	Coil (HF50ACC201209) [L16,17,19]
30	RCiLZ0004QSZZ	AE		C	Coil (NFM839R02C470R101) [L7,8,10,13,14,15]
31	RCiLZ1032CCZZ	AD		C	Coil (SBO-02SAN) [D16]
32	RCRSZ0001QSZZ	AG		B	Crystal (19.6608MHz) [X1]
33	RCRSZ0003QSZZ	AP		B	Crystal (22.000MHz) [X3]
34	RCRSZ0011QSZZ	AP		B	Crystal (1329(13.9867MHz)) [X2]
35	RFiLZ0004QSZZ	AM		C	Filter (ZJSR5101-223) [CP1,2]
36	RH-DZ0016FCZZ	AB		B	Diode (MA700) [D16]
37	RMPTW4100QCJJ	AA		B	Block resistor (10Ω×4) [BR14,15,16,31,32,34,55,64,74,75]
38	RMPTW4102QCJJ	AB		B	Block resistor (1.0KΩ×4) [BR20,18,17,51,71]
39	RMPTW4203QCJJ	AA		B	Block resistor (20KΩ×4 1/32W ±5%) [BR1,2,3,4,5,6,7,8,9,10,11,12,13,19,21,22]
	RMPTW4203QCJJ	AA		B	Block resistor (20KΩ×4 1/32W ±5%) [BR27,28,33,35,40,41,42,43,44,45,46,47,48,49]
	RMPTW4203QCJJ	AA		B	Block resistor (20KΩ×4 1/32W ±5%) [BR50,52,53,62,63,68,70,72,73]
40	RMPTW4300QCJJ	AA		B	Block resistor (30Ω×4 1/32W ±5%) [BR56,69]
41	RMPTW4470QCJJ	AB		B	Block resistor (47Ω×4 1/32W ±5%) [BR23,24,25,26,29,30,36,37,38,39]
	RMPTW4470QCJJ	AB		B	Block resistor (47Ω×4 1/32W ±5%) [BR54,57,58,59,60,61,65,66,67]
43	VCCCCY1HH101J	AA		C	Capacitor (50WV 100pF) [C179,205,206,207,208,217,227,234,235]
	VCCCCY1HH101J	AA		C	Capacitor (50WV 100pF) [C236,240,244,245,246,247]
	VCCCCY1HH101J	AA		C	Capacitor (50WV 100pF) [C256,275,276,277,278,279,281]
	VCCCCY1HH101J	AA		C	Capacitor (50WV 100pF) [C287,288,291,292,295,314,399]
44	VCCCCY1HH120J	AA		C	Capacitor (50WV 12pF) [C299,261]
45	VCCCCY1HH180J	AA		C	Capacitor (50WV 18pF) [C103,108,109,110,111,112,113]
	VCCCCY1HH180J	AA		C	Capacitor (50WV 18pF) [C114,140,141,142,143,189,190,191]
	VCCCCY1HH180J	AA		C	Capacitor (50WV 18pF) [C192,218,219,220,221,267,268]
	VCCCCY1HH180J	AA		C	Capacitor (50WV 18pF) [C324,325,326,332,333,334]
	VCCCCY1HH330J	AA		C	Capacitor (50WV 33pF) [C197,203,237,241,248,274,346]
46	VCCCCY1HH330J	AA		C	Capacitor (50WV 33pF) [C347,348,349,367,368,369,370]
	VCCCCY1HH470J	AA		C	Capacitor (50WV 47PF) [C102,171,172,178,198,199,200]
47	VCCCCY1HH470J	AA		C	Capacitor (50WV 47PF) [C209,210,211,238,239,254,255]
	VCCCCY1HH470J	AA		C	Capacitor (50WV 47PF) [C272,280,315,371,389]
48	VCEAGA1CW106M	AA		C	Capacitor (16WV 10μF) [C116]
49	VCEAGA1CW107M	AC		C	Capacitor (16WV 100μF) [C8]
50	VCEAGA1CW226M	AB		C	Capacitor (16WV 22μF) [C2,5,17]
51	VCEAGA1CW476M	AB		C	Capacitor (16WV 47μF) [C6,11]
52	VCEAGA1EW106M	AA		C	Capacitor (25WV 10μF) [C3,14]
53	VCEAGA1EW476M	AA		C	Capacitor (25WV 47μF) [C4]
54	VCEAGA1HW474M	AB		C	Capacitor (50WV 0.47μF) [C7]
55	VCEAGA1VW106M	AA		C	Capacitor (35WV 10μF) [C1]
56	VCEAGA1VW226M	AC		C	Capacitor (35WV 22μF) [C16]
57	VCEAGA1VW476M	AB		C	Capacitor (35WV 47μF) [C10]
59	VCKYCY1HB102K	AA		C	Capacitor (50WV 1000pF) [C101,107,117,118,119,127,130]
	VCKYCY1HB102K	AA		C	Capacitor (50WV 1000pF) [C133,134,135,137,149,152,164]
	VCKYCY1HB102K	AA		C	Capacitor (50WV 1000pF) [C180,183,222,223,224,225,228]
	VCKYCY1HB102K	AA		C	Capacitor (50WV 1000pF) [C229,231,232,233,242,243,249]
	VCKYCY1HB102K	AA		C	Capacitor (50WV 1000pF) [C252,253,258,259,260,263,270]
	VCKYCY1HB102K	AA		C	Capacitor (50WV 1000pF) [C273,286,301,303,317,319,329,335]
	VCKYCY1HB102K	AA		C	Capacitor (50WV 1000pF) [C336,337,339,345,357,358,364]
	VCKYCY1HB102K	AA		C	Capacitor (50WV 1000pF) [C365,366,372,376,377,378,379]
	VCKYCY1HB102K	AA		C	Capacitor (50WV 1000pF) [C386,373,375,381,387,271,284,285]
	VCKYCY1HB102K	AA		C	Capacitor (50WV 1000pF) [C300,306,307,311,312,313,318]
	VCKYCY1HB102K	AA		C	Capacitor (50WV 1000pF) [C323,330,338,350,351,352,353]
	VCKYCY1HB102K	AA		C	Capacitor (50WV 1000pF) [C360,361,168,169,181,184,195,204]

36 MCU PWB

NO.	PARTS CODE	PRICE RANK	NEW MARK	PART RANK	DESCRIPTION
59	VCKYCY1HB102K	AA		C	Capacitor (50WV 1000pF) [C213,214,215,216,226,230,250]
	VCKYCY1HB102K	AA		C	Capacitor (50WV 1000pF) [C251,257,264,266,126,136,146]
	VCKYCY1HB102K	AA		C	Capacitor (50WV 1000pF) [C157,159,160,161,167,282,406]
	VCKYCY1HB102K	AA		C	Capacitor (50WV 1000pF) [C407,408,409,410,393,394,395,396,397,398]
60	VCKYCY1EB222K	AA		C	Capacitor (25WV 0.022μF) [C115,341~343]
61	VCKYCY1HB222K	AA		C	Capacitor (50WV 2200pF) [C120,121,129,138,139,145,147]
	VCKYCY1HB222K	AA		C	Capacitor (50WV 2200pF) [C148,150,151,153,154,155,156,162]
	VCKYCY1HB222K	AA		C	Capacitor (50WV 2200pF) [C165,176,182,185,186,187,193]
	VCKYCY1HB222K	AA		C	Capacitor (50WV 2200pF) [C202,212,265,269,283,289,290]
	VCKYCY1HB222K	AA		C	Capacitor (50WV 2200pF) [C296,304,305,308,316,322,327]
	VCKYCY1HB222K	AA		C	Capacitor (50WV 2200pF) [C331,340,355,362,363,374,382]
	VCKYCY1HB222K	AA		C	Capacitor (50WV 2200pF) [C383,384,385,388,173,201]
63	VCKYCY1HB471K	AB		C	Capacitor (50WV 470pF) [C128,166,170,177,188,196,302,320,344,356]
64	VCKYTW1HB104K	AC		C	Capacitor (50WV 0.1μF) [C297,298]
65	VHD1N4005E/-1	AB		B	Diode (1N4005E) [D23]
66	VHDDA204K/-1	AC		B	Diode (DA204K) [D3-6,9,10,12,18,25,34]
67	VHDDAN202U/-1	AB		B	Diode (DAN202U) [D2,7,8,15,19,20,27,28,30,32,36,37]
69	VHDDSS133/-1	AA		B	Diode (DSS133) [D1]
70	VHEMTZJ22B/-1	AA		B	Zener diode (MTZJ22B) [NF1,2]
72	VHi74VHC08/-1	AE		B	IC (74VHC08) [IC111]
73	VHiH8S/2350FP	AY		B	CPU (H8S/2350FP) [IC9]
74	VHiHG73C025FD	BE		B	IC (HG73C025FD) [IC10]
75	VHiLM358PS/-S	AC		B	IC (LM358PS) [IC109]
76	VHiM24C02WBN6	AG		B	IC (M24C02WBN6) [IC16]
77	VHiM51953BL-1	AF		B	IC (M51953BL) [IC4]
78	VHiM66236FP-1	AT		B	IC (M66236FP) [IC107]
79	VHiNJM2903M/-	AD		B	IC (NJM2903M) [IC101]
80	VHiNJM3414M-1	AF		B	IC (NJM3414M) [IC110]
81	VHiSLA7027MU/	AQ		B	IC (SLA7027MU) [IC12]
82	VHiSN74LS07NS	AF		B	IC (SN74LS07NS) [IC106,108]
83	VHiTA7291S/-1	AF		B	IC (TA7291S) [IC1]
84	VHiTC74HC14FN	AH		B	IC (TC74HC14FN) [IC113]
85	VHiTC74HC151F	AG		B	IC (TC74H151F) [IC102,103,104,105]
86	VHiTD62003AP1	AG		B	IC (TD62003AP1) [IC2,3]
87	VHiTD62064AF/	AM		B	IC (TD62064AF) [IC13,11]
88	VHiTD62503F/-	AG		B	IC (TD62503F) [IC8]
89	VHiW24257A12J	AN		B	IC (W24257A12J) [IC5,7,14,15]
91	VRNHT2EK1301F	AB		C	Resistor (1/4W 1.3KΩ ±1%) [RY1,2]
94	VRS-CY1JD100J	AA		C	Resistor (1/16W 10Ω ±5%) [R106,107,108,109,110,111,112]
	VRS-CY1JD100J	AA		C	Resistor (1/16W 10Ω ±5%) [R128,130,131,132,157,158,159,160]
	VRS-CY1JD100J	AA		C	Resistor (1/16W 10Ω ±5%) [R161,162,163,164,165,166,167]
	VRS-CY1JD100J	AA		C	Resistor (1/16W 10Ω ±5%) [R168,173,174,175,176,184,185,199]
	VRS-CY1JD100J	AA		C	Resistor (1/16W 10Ω ±5%) [R204,205,210,211,212,221,231,244]
95	VRS-CY1JD101J	AA		C	Resistor (1/16W 100Ω ±5%) [R216,248,276]
96	VRS-CY1JD102F	AA		C	Resistor (1/16W 1KΩ ±1%) [R151]
97	VRS-CY1JD102J	AA		C	Resistor (1/16W 1.0KΩ ±5%) [R137,139,140,142,149,188,196]
	VRS-CY1JD102J	AA		C	Resistor (1/16W 1.0KΩ ±5%) [R197,224,229,240,247,259,277,278,282,283]
98	VRS-CY1JD103F	AB		C	Resistor (1/16W 10KΩ ±1%) [R152,177,273,274]
99	VRS-CY1JD103J	AA		C	Resistor (1/16W 10KΩ ±5%) [R143,179,181,182,183,189,219,228]
	VRS-CY1JD103J	AA		C	Resistor (1/16W 10KΩ ±5%) [R232,257,258,270,271,272,285,301,302]
100	VRS-CY1JD105F	AA		C	Resistor (1/16W 1.0MΩ ±1%) [R155]
101	VRS-CY1JD122J	AA		C	Resistor (1/16W 1.2KΩ ±5%) [R170]
102	VRS-CY1JD152J	AA		C	Resistor (1/16W 1.5KΩ ±5%) [R193,194,195,281]
103	VRS-CY1JD202J	AA		C	Resistor (1/16W 2.0KΩ ±5%) [R243]
104	VRS-CY1JD203J	AA		C	Resistor (1/16W 20KΩ ±5%) [R113,114,115,116,119,141,147]
	VRS-CY1JD203J	AA		C	Resistor (1/16W 20KΩ ±5%) [R148,171,172,180,190,191]
	VRS-CY1JD203J	AA		C	Resistor (1/16W 20KΩ ±5%) [R198,200,201,208,209,213,214]
	VRS-CY1JD203J	AA		C	Resistor (1/16W 20KΩ ±5%) [R220,237,238,241,263,264,279,284]
	VRS-CY1JD203J	AA		C	Resistor (1/16W 20KΩ ±5%) [R296,297,298,303]
105	VRS-CY1JD205J	AA		C	Resistor (1/16W 2.0MΩ ±5%) [R266,265]
106	VRS-CY1JD222J	AA		C	Resistor (1/16W 2.2KΩ ±5%) [R225,226,227,230,250,251,261,262]
107	VRS-CY1JD242J	AA		C	Resistor (1/16W 2.4KΩ ±5%) [R267,268]
108	VRS-CY1JD301J	AA		C	Resistor (1/16W 300Ω ±5%) [R252,236,304,305]
109	VRS-CY1JD331J	AA		C	Resistor (1/16W 330Ω ±5%) [R223]
110	VRS-CY1JD332J	AA		C	Resistor (1/16W 3.3KΩ ±5%) [R203]
111	VRS-CY1JD333J	AA		C	Resistor (1/16W 33KΩ ±5%) [R125]
112	VRS-CY1JD470J	AA		C	Resistor (1/16W 47Ω ±5%) [R186,187,202,207,215,217,218]
	VRS-CY1JD470J	AA		C	Resistor (1/16W 47Ω ±5%) [R222,233,234,242,245,246,253,260,300]
113	VRS-CY1JD472J	AA		C	Resistor (1/16W 4.7KΩ ±5%) [R104,153,239]
114	VRS-CY1JD473J	AA		C	Resistor (1/16W 47KΩ ±5%) [R103,126,133,134,254,255]
115	VRS-CY1JD512J	AA		C	Resistor (1/16W 5.1KΩ ±5%) [R286]
116	VRS-CY1JD621F	AA		C	Resistor (1/16W 620Ω ±1%) [R178]
117	VRS-CY1JD621J	AA		C	Resistor (1/16W 620Ω ±5%) [R235]
118	VRS-CY1JD680J	AA		C	Resistor (1/16W 68Ω ±5%) [R206]
119	VRS-CY1JD751J	AA		C	Resistor (1/16W 75Ω ±5%) [R256]
120	VRS-CY1JD752J	AA		C	Resistor (1/16W 7.5KΩ ±5%) [R123,124,145,146,154,249]
121	VRS-CY1JD912J	AA		C	Resistor (1/16W 9.1KΩ ±5%) [R129]
122	VRS-HT3DA102J	AA		C	Resistor (2W 1.0KΩ ±5%) [R1]
123	VRS-HT3DA1R0J	AB		C	Resistor (2W 1.0Ω ±5%) [R4,5]
124	VRS-HT3DAR22J	AA		C	Resistor (2W 0.22Ω ±5%) [R2]

■ Index

PARTS CODE	NO.	PRICE RANK	NEW MARK	PART RANK	
[C]					
CBOX-0002QS53	26-501	BL	N	E	
CBOX-0002RS54	26-501	BX		E	
CBOX-0007JS54	26- 1	BL	N	E	
CBOX-0007YS51	26- 1	BL	N	E	
CBOX-0007YS53	26- 1	BL	N	E	
CBTN-0004QS04	9- 5	AG		E	
CBTN-0009QS01	9- 2	AG		E	
CBTN-0037QS01	7- 8	AK		E	
CBTN-0040QS01	7- 6	AH		E	
CBTN-0041QS01	7- 5	AH		E	
CCAB-0003QS01	1- 1	AR		D	
CCAB-0027QS01	7- 2	AS		D	
CCASP0001QS51	25-901	BC		E	
CCLZ0005QS51	21- 1	AQ		D	
CCOVH0004QS51	2-901	BC		E	
CCOVP0004JS51	26- 4	AK	N	E	
CDAiU0002QS01	11- 12	BG		D	
"	12- 14	BG		D	
CDAiU0008QS51	12- 7	BC		D	
CFIX-0003QS02	1- 13	AN		D	
CFIX-0003QS59	1-501	AZ		E	
CFRM-0010QS51	22-502	BG		E	
CFRM-0011QS55	3- 11	BH		E	
"	4-901	BH		E	
CGERH0011QS51	20- 9	AE		E	
CHLDZ0010QS52	10- 18	AU		E	
"	24-901	AU		E	
CHLDZ0019QS31	11- 2	BC		E	
"	14-901	BC		E	
CLEVP0016QS01	28- 17	AL		C	
CPLTM0023QS03	22- 25	AG		B	
CPLTM0024QS01	17- 24	AG		B	
CPLTM0025QS01	11- 21	AH		B	
CPLTM0026QS01	11- 8	AH		B	
CPLTM0028QS01	14- 13	AH		B	
CPLTM0029QS01	14- 9	AH		B	
CPLTM0038QS01	17- 46	AF		B	
CPLTM0042QS02	20- 20	AY		C	
CPLTM0042QS53	20-901	BV		E	
CPLTM0042QS54	20-901	BV		E	
CPNLC0002QS40	9- 10	AV		D	
CPNLC0002QS43	9- 10	AV		D	
CPNLC0002QS44	9- 10	AV		D	
CPWBF0009QS51	4- 7	AG		E	
CPWBF0009QS52	7- 40	AU		E	
CPWBF0013QS52	18- 10	BL		E	
"	32-901	BL		E	
CPWBF0014QS56	9- 8	BA		E	
"	31-901	BA		E	
CPWBF0014QS59	9- 8	BQ		E	
"	31-901	BQ		E	
CPWBF0014QS62	9- 8	BA		E	
"	31-901	BA		E	
CPWBF0039QS32	18- 13	BU		E	
CPWBF0039QS34	18- 13	BV	N	E	
CPWBF0046QS51	7- 9	BH		E	
"	30-901	BH		E	
CPWBF1177FC57	15- 4	AG		E	
"	33-901	AG		E	
CPWBF1177FC58	17- 1	AG		E	
"	34-901	AG		E	
CPWBF1177FC59	19- 13	AG		E	
"	35-901	AG		E	
CPWBF1177FC5A	12- 9	AG		E	
CPWBX0038QS33	18- 4	CA		E	
"	36-901	CA		E	
CPWBX0038QS36	18- 4	CA	N	E	
"	36-901	CA	N	E	
CPWBX0042QS51	18- 6	*	N	E	
CPWBX0043QS51	18- 6	*	N	E	
CPWBX0044QS51	18- 6	*	N	E	
"	29-901	*	N	E	
CREFL0003QS32	11- 3	BQ		E	
CRÖLP0015QS01	17- 20	AU		C	
CSLi-0103FC31	14- 7	AF		B	
CSOU-0002QS52	22-501	AY		B	
CSW-M0004QS51	21- 4	AS		B	
CTHM-0019FC52	19- 12	AU		E	

PARTS CODE	NO.	PRICE RANK	NEW MARK	PART RANK	
CTME-0229FC03	19- 11	AG		C	
[D]					
DHAi-0028QSZZ	23- 3	AN		C	
DHAi-0029QSZZ	16- 24	AN		C	
"	18- 12	AN		C	
"	27- 8	AN		C	
DHAi-0030QSZ1	19- 16	AN	N	C	
"	27- 10	AN	N	C	
DHAi-0032QSZZ	23- 2	AH		C	
DHAi-0034QSZZ	33- 1	AQ		C	
DHAi-0035QSZZ	34- 1	AF		C	
DHAi-0036QSZZ	35- 1	AQ		C	
DHAi-0037QSZ1	16- 23	AS		C	
"	27- 7	AS		C	
DHAi-0040QSZZ	1- 7	AK		C	
"	15- 10	AK		C	
"	27- 4	AK		C	
DHAi-0041QSZZ	11- 6	AF		C	
"	12- 3	AF		C	
"	27- 1	AF		C	
DHAi-0042QSZZ	12- 5	AK		C	
"	27- 2	AK		C	
DHAi-0045QSZZ	20- 27	AD		C	
"	27- 5	AD		C	
DHAi-0046QSZZ	16- 18	AH		C	
DHAi-0047QSZZ	10- 12	AH		C	
DHAi-0048QSZZ	16- 19	AG		C	
DHAi-0049QSZZ	1- 8	AG		C	
"	17- 39	AG		C	
DHAi-0050QSZZ	17- 27	AR		C	
DHAi-0055QSZZ	4- 8	AK		C	
DHAi-0057QSZZ	16- 24	AN		C	
"	18- 12	AN		C	
"	27- 8	AN		C	
DHAi-0058QSZ1	19- 16	AL	N	C	
"	27- 10	AL	N	C	
DHAi-0066QSZZ	22- 22	AD		C	
DHAi-0147QSZZ	5- 11	AW		C	
DHAi-0155QSZ1	13- 2	AT		C	
"	15- 14	AT		C	
DHAi-0159QSZ1	7- 39	AN		C	
DHAi-0160QSZZ	7- 37	AH		C	
DHAi-0161QSZ4	8- 34	BA	N	C	
DHAi-0162QSZZ	8- 47	AE		C	
DHAi-0163QSZZ	27- 3	AS		C	
DHAi-0164QSZZ	17- 56	AE		C	
DHAi-0168QSZZ	1- 7	AK		C	
"	15- 10	AK		C	
"	27- 4	AK		C	
DHAi-0169QSZZ	16- 23	AQ	N	C	
"	27- 7	AQ	N	C	
DHAi-0170QSZZ	27- 6	AS		C	
DHAi-0179QSZZ	18- 16	AN	N	C	
DHAi-1212FC61	28- 3	AV	N	C	
DHAi-1212FC62	28- 3	AX	N	C	
DHAi-1212FC63	28- 3	BA	N	B	
DUNT-0084QS12	18-501	AU		E	
DUNT-0084QS13	18-501	AU	N	E	
DUNTK0013QS11	13- 4	BT		E	
DUNTW0014QS22	19-901	BT	N	E	
DUNTW0014QS23	19-901	BT	N	E	
DUNTW0014QS24	19-901	BT	N	E	
DWiR-0466CSZZ	24- 8	BG		C	
[G]					
GCAB-0005QSZZ	1- 10	AN		D	
GCAB-0007QSZ1	10- 1	AU		D	
GCAB-0007QSZZ	10- 1	AU		D	
GCAB-0008QSZZ	4- 1	AM		D	
GCAB-0010QSZ1	1- 17	AL		D	
GCAB-0028QSZZ	1- 18	AY		D	
GCASP0001QSZZ	25- 19	AY		D	
GCOVH0003QSZZ	2- 1	AM		D	
GCOVH0004QSZZ	2- 2	AX		D	
GCOVZ0149FCZZ	28-108	AU		D	
GDAi-0001QSZZ	17- 28	BF		D	
"	18- 17	BF		D	
GLEGG0064FCZZ	18- 18	AC		C	
[J]					
JBTN-0005QSZZ	9- 4	AC		C	
JBTN-0008QSZ1	9- 6	AG		C	
JBTN-0010QSZZ	9- 3	AC		C	

PARTS CODE	NO.	PRICE RANK	NEW MARK	PART RANK
JBTN-0036QSZZ	7- 7	AF		C
JBTN-0038QSZZ	7- 4	AF		C
JBTN-0039QSZZ	7- 3	AE		C
JKNBZ0001QSZZ	16- 22	AE		C
JKNBZ0004QSZZ	5- 35	AD		C
/"	8- 35	AD		C
[L]				
LANGT0004QSZZ	6- 8	AC		C
LANGT0005QSZZ	6- 1	AD		C
LBNDJ0013FCZ1	3- 12	AA		C
/"	5- 16	AA		C
/"	6- 6	AA		C
/"	8- 14	AA		C
/"	13- 3	AA		C
/"	18- 32	AA		C
/"	23- 9	AA		C
LBNDJ0013FCZZ	22- 21	AA		C
LBNDJ0037FCZ1	33- 2	AA		C
/"	34- 2	AA		C
/"	35- 2	AA		C
LBNDJ0043FCZZ	16- 6	AA		C
LBNDJ0067FCZZ	19- 17	AC		C
LBOSZ1031FCZZ	17- 15	AC		C
LBOSZ1508FCZZ	4- 19	AG		C
/"	7- 14	AG		C
/"	22- 15	AG		C
LBOSZ1509FCZ1	22- 28	AD		C
LBOSZ1510FCZZ	22- 18	AF		C
LBOSZ1851FCZZ	17- 13	AC		C
LBRC-0055FCZZ	22- 10	AK		C
LBSHZ0303FCZZ	4- 20	AC		C
/"	7- 18	AC		C
/"	22- 9	AC		C
LFI X-0004QSZZ	24- 15	AC		C
LFI X-0284FCZZ	14- 11	AC		C
LFRM-0003QSZ1	10- 9	AP		D
LFRM-0003QSZ2	10- 9	AP		D
LFRM-0004QSZZ	19- 7	AV		D
LFRM-0005QSZZ	19- 30	AQ		D
LFRM-0010QSZZ	22- 35	AN		D
LFRM-0011QSZ1	4- 35	AL		C
LFRM-0012QSZZ	8- 26	AD		D
LFRM-0013QSZZ	8- 10	AG		D
LFRM-0014QSZZ	5- 30	AE		C
LFRM-0015QSZZ	5- 17	AK		C
LFRM-0033QSZZ	7- 28	AP		D
LFRM-0035QSZZ	16- 21	AZ		D
LHLDW1226FCZZ	25- 3	AB		C
/"	28- 12	AB		C
LHLDW2133SCZZ	12- 36	AC		C
LHLDZ0009QSDZ	23- 1	AG		C
LHLDZ0010QSZ1	24- 14	AL		C
LHLDZ0011QSZZ	12- 4	AD		C
LHLDZ0013QSZZ	14- 5	AD		C
LHLDZ0017QSZZ	17- 30	AD		C
LHLDZ0018QSZZ	16- 13	AE		C
LHLDZ0019QSZZ	14- 2	AN		C
LHLDZ0050QSZZ	18- 1	AP		C
LPI NS0008QSZZ	16- 26	AD		C
LPI NS0009QSZZ	16- 26	AD	N	C
LPL TM0016QSZZ	17- 42	AE		C
LPL TM0020QSZZ	18- 21	AL		C
LPL TM0022QSZ2	19- 29	AF		C
LPL TM0043QSZZ	10- 5	AD		C
LPL TM0046QSZZ	17- 25	AE		C
LPL TM0096QSZZ	3- 53	AF		C
/"	6- 30	AF		C
LPL TM0097QSZZ	12- 17	AE		C
LPL TM0098QSZZ	12- 18	AE		C
LPL TM0122QSZZ	3- 52	AD		C
LPL TM0132QSZZ	10- 5	AH		C
LPL TM0133QSZ1	16- 31	AE		C
LPL TM0146QSZZ	8- 1	AD		C
LPL TM2642FCGZ	25- 4	AD		C
LPL TM5106FCZZ	25- 1	AR		C
LPL TM5111FCZZ	11- 4	AC		C
LPL TP0009QSZZ	19- 38	AS		C
LPL TP0011QSZZ	3- 2	AH		C
LPL TP0012QSZZ	3- 3	AH		C
LPL TP0013QSZZ	5- 3	AD		C
/"	8- 43	AD		C

PARTS CODE	NO.	PRICE RANK	NEW MARK	PART RANK
LPL TP0014QSZZ	3- 28	AK		C
LPL TP0015QSZZ	5- 39	AH		C
LPL TP0041QSZZ	3- 39	AE		C
LPL TP0139QSZZ	6- 44	AF		C
LPL TP0140QSZZ	6- 42	AF		C
LPL TP0150QSZZ	7- 26	AG		C
LPL TP5107FCZZ	25- 5	AH		C
LPL TP5108FCZZ	25- 13	AH		C
LRALM0002QSZZ	11- 15	AF		C
LRALM0003QSZZ	11- 14	AG		C
LRALP0001QSZZ	17- 34	AM		C
LSOU-0001QSZZ	1- 2	AW		C
LSOU-0002QSZZ	22- 48	AL		C
LSOU-0003QSZZ	22- 49	AK		C
LSOU-0004QSZZ	3- 1	AX		D
LSOU-0005QSZZ	6- 34	BB		C
LSOU-0006QSZZ	3- 9	AL		D
LSOU-0007QSZZ	3- 54	BC		D
LSOU-0008QSZZ	1- 4	AH		C
LSOU-0020QSZZ	6- 43	AT		C
LSTPP0007QSZZ	4- 5	AC		C
LSTPP0008QSZZ	7- 20	AD		C
LSTPP0116FCZZ	19- 18	AA		C
LSTPP0161FCZZ	25- 18	AB		C
LSTPP0300FCZZ	22- 37	AB		C
LX-BZ0001QSZZ	28- 16	AD		C
LX-BZ0004QSZZ	11- 16	AB		C
/"	12- 6	AB		C
LX-BZ0005QSZZ	11- 7	AA		C
LX-BZ0010QSZZ	19- 8	AB		C
LX-BZ0011QSZZ	19- 42	AB		C
LX-BZ0012QSZZ	8- 13	AC		C
LX-BZ0016QSZZ	3- 33	AC		C
/"	6- 31	AC		C
LX-BZ0049FCZZ	11- 29	AB		C
LX-BZ0324FCZZ	11- 27	AA		C
LX-BZ0335FCZZ	14- 8	AA		C
LX-BZ0700FCZZ	17- 54	AA		C
LX-BZ0735FCZZ	19- 36	AA		C
LX-BZ3006SC0S	16- 28	AA		C
LX-WZ0023FCZZ	17- 43	AA		C
LX-WZ0119FCZZ	11- 32	AA		C
LX-WZ0313FCZZ	19- 26	AA		C
LX-WZ2028SCZZ	17- 51	AA		C
/"	25- 10	AA		C
[M]				
MARMP0001QSZZ	8- 11	AF		C
MARMP0002QSZZ	4- 13	AD		C
/"	7- 25	AD		C
MARMP0003QSZ1	4- 4	AD		C
/"	7- 19	AD		C
MARMP0004QSZZ	4- 34	AF		C
/"	7- 42	AF		C
MARMP0173FCZZ	22- 4	AC		C
MARMP0204FCZ1	22- 39	AF		C
MARMP0205FCZZ	22- 38	AF		C
MHNG-0002QSZZ	22- 40	AC		C
MHNG-0003QSZZ	6- 32	AX		C
MHNG-0004QSZZ	6- 28	AX		C
MHNG-0005QSZZ	3- 30	AY		C
MHNG-0006QSZZ	3- 45	AY		C
MLEVF0041QSZZ	3- 25	AD		C
MLEVP0005QSZZ	15- 5	AD		C
MLEVP0006QSZZ	17- 2	AD		C
MLEVP0009QSZZ	4- 9	AD		C
/"	7- 22	AD		C
MLEVP0010QSZZ	4- 10	AE		C
/"	7- 23	AE		C
MLEVP0011QSZ1	7- 27	AE		C
MLEVP0014QSZZ	19- 28	AF		C
MLEVP0015QSZZ	19- 23	AF		C
MLEVP0036QSZZ	3- 18	AD		C
MLEVP0048QSZZ	17- 49	AD		C
MSPRC0016QSZZ	23- 7	AC		C
MSPRC0017QSZZ	23- 5	AC		C
MSPRC0018QSZZ	23- 6	AC		C
MSPRC0021QSZZ	15- 7	AB		C
MSPRC0022QSZ1	15- 9	AC		C
MSPRC0023QSZZ	20- 15	AB		C
MSPRC0024QSZZ	16- 8	AA		C
MSPRC0026QSZZ	17- 3	AB		C

PARTS CODE	NO.	PRICE RANK	NEW MARK	PART RANK
MSPRC0027QSZZ	24- 10	AC		C
MSPRC0028QSZZ	24- 11	AC		C
MSPRC0030QSZZ	10- 14	AC		C
MSPRC0031QSZZ	10- 13	AB		C
MSPRC0032QSZZ	10- 11	AB		C
MSPRC0040QSZZ	11- 19	AB		C
MSPRC0047QSZZ	17- 31	AA		C
MSPRC0048QSZZ	22- 41	AB		C
MSPRC0049QSZZ	22- 14	AC		C
MSPRC0050QSZZ	10- 25	AB		C
MSPRC0051QSZZ	24- 12	AA		C
MSPRC0053QSZZ	20- 3	AB		C
MSPRC0055QSZZ	19- 25	AC		C
MSPRC0062QSZZ	5- 4	AC		C
"	8- 45	AC		C
MSPRC0063QSZZ	5- 36	AB		C
"	8- 28	AB		C
MSPRC0077QSZZ	17- 41	AB		C
MSPRC0108QSZZ	25- 15	AC		C
MSPRC0109QSZZ	22- 50	AC		C
MSPRC0115QSZZ	4- 33	AB		C
"	7- 44	AB		C
MSPRC0149QSZZ	3- 51	AC		C
"	6- 27	AC		C
MSPRC0161QSZZ	17- 16	AF		C
MSPRC1145FCZZ	25- 17	AA		C
MSPRC1315FCZ1	22- 16	AD		C
MSPRC1316FCZ1	4- 18	AE		C
"	7- 15	AE		C
"	17- 11	AE		C
"	22- 27	AE		C
MSPRC1318FCZ1	20- 23	AA		C
"	22- 30	AA		C
MSPRC1873FCZ1	25- 16	AB		C
MSPRC2175FCZZ	22- 33	AA		C
MSPRD0069QSZZ	3- 42	AC		C
MSPRD0070QSZZ	3- 41	AC		C
MSPRD0076QSZ1	10- 6	AD		C
MSPRD0114QSZ1	4- 36	AD		C
MSPRD0126QSZZ	3- 19	AC		C
MSPRD0154QSZZ	3- 48	AD		C
MSPRD0158QSZZ	17- 50	AB		C
MSPRD0163QSZZ	5- 45	AC		C
MSPRP0015QSZZ	9- 7	AC		C
MSPRP0033QSZZ	19- 6	AD		C
MSPRP0034QSZZ	19- 14	AE		C
MSPRP0052QSZZ	3- 47	AD		C
MSPRP0059QSZZ	3- 7	AD		C
"	6- 37	AD		C
MSPRP0060QSZZ	3- 50	AD		C
"	6- 26	AD		C
MSPRP0065QSZZ	5- 31	AD		C
"	8- 41	AD		C
MSPRP0110QSZZ	21- 6	AE		C
MSPRP0113QSZ1	6- 15	AD		C
MSPRT0019QSZZ	13- 5	AB		C
MSPRT0020QSZZ	15- 2	AB		C
MSPRT0029QSZZ	10- 3	AC		C
MSPRT0054QSZZ	19- 37	AC		C
MSPRT0061QSZZ	6- 24	AC		C
MSPRT0064QSZ1	8- 15	AC		C
MSPRT0066QSZ1	4- 25	AC		C
"	7- 30	AC		C
MSPRT0067QSZ1	4- 14	AB		C
"	7- 24	AB		C
MSPRT0513FCZ1	24- 7	AA		C
[N]				
NBLT-0005QSZZ	16- 5	AH		C
NBLTT0001QSZZ	16- 20	AH		C
NBLTT0002QSZZ	11- 26	AH		C
NBLTT0003QSZZ	8- 37	AG		C
NBLTT0004QSZZ	16- 37	AH		C
NBLTT0006QSZZ	8- 18	AG		C
NBLTT0010QSZZ	5- 34	AG		B
NBLTT0011QSZZ	5- 22	AG		B
NBRGC0098FCZZ	5- 27	AC		C
"	8- 23	AC		C
NBRGC0100FCZ1	17- 8	AC		C
NBRGC0133FCZ1	11- 31	AC		C
NBRGC0387FCZ1	11- 23	AC		C
NBRGC0579FCZZ	16- 2	AE		C

PARTS CODE	NO.	PRICE RANK	NEW MARK	PART RANK
NBRGM5006BCZZ	3- 26	AB		C
"	5- 25	AB		C
"	8- 25	AB		C
NBRGP0260FCZ1	19- 24	AD		C
NBRGP0562FCZZ	17- 19	AD		C
NBRGP0567FCZZ	19- 20	AG		C
NCPL-0006QSZZ	16- 7	AC		C
NFANP0001QSZ1	16- 12	AX		B
NGERH0007QSZZ	20- 11	AH		C
NGERH0008QSZ1	20- 16	AL		C
NGERH0009QSZZ	20- 7	AD		C
NGERH0010QSZZ	20- 6	AD		C
NGERH0012QSZZ	20- 18	AE		C
NGERH0013QSZZ	20- 19	AG		C
NGERH0014QSZZ	20- 8	AD		C
NGERH0015QSZZ	20- 10	AD		C
NGERH0016QSZZ	20- 12	AD		C
NGERH0017QSZZ	20- 17	AD		C
NGERH0018QSZZ	20- 14	AC		C
NGERH0019QSZZ	20- 13	AD		C
NGERH0020QSZZ	17- 9	AG		C
NGERH0021QSZZ	22- 46	AD		C
NGERH0022QSZZ	17- 21	AC		C
NGERH0025QSZZ	17- 23	AD		C
NGERH0026QSZZ	17- 22	AD		C
NGERH0027QSZZ	11- 18	AH		C
NGERH0047QSZZ	5- 23	AF		C
"	8- 21	AF		C
NGERH0048QSZZ	10- 22	AE		C
NGERH0050QSZZ	20- 4	AD		C
NGERH0051QSZZ	10- 23	AE		C
NGERH0073QSZZ	4- 16	AE		C
"	7- 17	AE		C
NGERH0079QSZZ	5- 26	AD		C
NGERH0193FCZZ	3- 6	AB		C
"	6- 36	AB		C
"	25- 11	AB		C
NGERH0540FCZ1	19- 19	AE		C
NGERH0972FCZZ	8- 12	AB		C
"	22- 19	AB		C
NGERH0990FCZZ	4- 28	AB		C
"	7- 51	AB		C
"	22- 7	AB		C
NGERH0991FCZZ	22- 20	AC		C
NGERH0992FCZZ	4- 30	AB		C
"	7- 45	AB		C
"	22- 3	AB		C
NGERH1132FCZZ	17- 18	AH		C
NGERH1169FCZZ	17- 47	AF		C
NGERR0377FCZZ	3- 4	AD		C
"	6- 41	AD		C
NPLYZ0001QSZZ	16- 4	AE		C
NPLYZ0002QSZZ	20- 5	AC		C
NPLYZ0003QSZZ	11- 28	AM		C
NPLYZ0004QSZZ	11- 25	AG		C
NPLYZ0005QSZZ	11- 9	AG		C
NPLYZ0006QSZZ	11- 10	AD		C
NPLYZ0007QSZZ	14- 4	AG		C
NPLYZ0010QSZZ	4- 23	AE		C
"	7- 32	AE		C
NPLYZ0146FCZZ	5- 33	AB		C
"	8- 38	AB		C
NRÖLi0014QSZ2	19- 21	AZ	N	C
NRÖLM0022QSZZ	5- 43	AP		C
"	8- 30	AP		C
NRÖLM0023QSZZ	8- 29	AP		C
NRÖLM0026QSZZ	5- 40	AQ		C
NRÖLM0027QSZZ	5- 6	AP		C
NRÖLP0007QSZ1	16- 1	AQ		C
NRÖLP0010QSZZ	3- 46	AD		C
"	6- 23	AD		C
NRÖLP0011QSZZ	3- 36	AD		C
"	6- 18	AD		C
NRÖLP0012QSZ1	16- 3	AS		C
NRÖLP0024QSZZ	4- 27	AL		C
"	7- 49	AL		C
NRÖLP0025QSZZ	10- 24	AM		C
NRÖLP0046QSZZ	15- 1	AC	N	C
NRÖLP1008FCZZ	22- 5	AK		C
NRÖLP1122FCZZ	10- 17	AF		C
"	10- 26	AF		C

PARTS CODE	NO.	PRICE RANK	NEW MARK	PART RANK
NRÖLP1122FCZZ	15- 8	AF		C
NRÖLR0013QSZZ	17- 7	AQ		C
NRÖLR0028QSZZ	19- 27	AZ		C
NRÖLR0922FCZZ	4- 31	AR		C
"	7- 46	AR		C
"	22- 1	AR		C
NSFTZ0006QSZ1	10- 15	AG		C
NSFTZ0006QSZZ	10- 15	AG		C
NSFTZ0008QSZZ	11- 30	AQ		C
NSFTZ0009QSZZ	3- 49	AE		C
"	6- 21	AE		C
NSFTZ0010QSZZ	6- 20	AE		C
NSFTZ0011QSZZ	4- 32	AG		C
"	7- 48	AG		C
NSFTZ0012QSZZ	4- 21	AG		C
"	7- 12	AG		C
NSFTZ0013QSZZ	3- 38	AF		C
NSFTZ0014QSZZ	3- 43	AP		C
NSFTZ2311FCZZ	22- 8	AU		C
[P]				
PBRSR0002QSZ1	12- 13	AH	N	C
PBRSR0002QSZZ	12- 13	AK		C
PBRSR0003QSZ1	8- 33	AK	N	B
PBRSR0003QSZZ	5- 7	AL		B
PBRSR0004QSZZ	19- 4	AE		C
PCAPH0003QSZZ	26- 3	AC		C
PCASZ0002QSZZ	24- 16	AL		D
PCASZ0003QSZZ	12- 2	AK		D
PCLC-0002QSZZ	5- 28	AV		B
PCÖVP0007QSZZ	17- 38	AF		D
PCÖVP0010QSZZ	19- 5	AG		D
PCÖVP0011QSZZ	19- 15	AK		D
PCÖVP0013QSZZ	17- 32	AD		D
PCÖVP0019QSZZ	22- 44	AK		D
PCÖVP0022QSZZ	3- 10	AR		C
PCÖVP0023QSZZ	21- 3	AK		D
PCÖVP0036QSYZ	3- 8	AK		D
PCÖVP0036QSZZ	6- 35	AK		D
PCÖVP0042QSZZ	8- 8	AH		D
PCÖVP0043QSZZ	8- 7	AL		D
PCÖVP0044QSZ1	18- 5	AP		D
PCÖVP0045QSZ1	18- 9	AK	N	C
PCÖVP0046QSZ3	18- 7	AE		C
PCÖVP0046QSZ4	18- 7	AE	N	C
PCÖVP0047QSZZ	1- 28	AH		D
PCÖVP0048QSZZ	1- 30	AF		D
PCÖVP0051QSZZ	17- 53	AF	N	C
PCUSS0009QSZZ	14- 10	AA		C
PCUSS0010QSZ1	3- 56	AV		C
"	6- 33	AV		C
PCUSS0011QSZZ	1- 36	AB		C
"	12- 40	AB		C
PCUSS0016QSZZ	3- 31	AB		C
PCUSS0201FCZZ	14- 14	AA		C
PFiLW0009QSZ2	7- 1	AL		D
PFiLW0009QSZ3	7- 1	AL		D
PFiLW0009QSZ5	7- 1	AL	N	D
PFiLW0009QSZ7	7- 1	AL	N	D
PFiLW0009QSZZ	7- 1	AL		D
PFiLZ0002QSZZ	1- 23	AL		D
PFiLZ0006QSZ1	9- 1	AS		C
PFiLZ0007QSZ4	9- 1	AS	N	C
PFiLZ0007QSZ5	9- 1	AS		C
PFiLZ0007QSZ6	9- 1	AS	N	C
PFiLZ0007QSZ7	9- 1	AS		C
PFTA-0003QSZZ	18- 8	AF		D
PFTA-0006QSZZ	1- 26	AG		D
PGiDH0025QSZ1	24- 4	AG		C
PGiDH0026QSZZ	19- 34	AE		C
PGiDH0027QSZZ	5- 41	AK		C
PGiDH0028QSZZ	5- 8	AK		C
PGiDH0029QSZZ	8- 32	AL		C
PGiDM0006QSZ2	15- 6	AM		C
PGiDM0007QSZZ	12- 15	AP		C
PGiDM0008QSZZ	10- 4	AD		C
PGiDM0009QSZZ	16- 25	AG		C
PGiDM0010QSZ1	17- 5	AG		C
PGiDM0011QSZZ	24- 2	AE		C
PGiDM0014QSZZ	22- 12	AF		C
PGiDM0017QSZZ	22- 43	AE		C
PGiDM0018QSZZ	22- 42	AE		C

PARTS CODE	NO.	PRICE RANK	NEW MARK	PART RANK
PGiDM0019QSZZ	12- 37	AH		C
PGiDM0020QSZZ	12- 38	AH		C
PGiDM0021QSZZ	5- 38	AQ		C
PGiDM0022QSZZ	5- 5	AN		C
PGiDM0023QSZZ	19- 1	AP		C
PGiDM0024QSZZ	8- 27	AQ		C
PGiDM0024QSZZ	6- 4	AQ		C
PGiDM0057QSZZ	5- 10	AL		C
PGiDM0058QSZZ	8- 3	AK		C
PGiDM0059QSZZ	12- 37	AG		C
PGiDM0060QSZZ	12- 38	AG		C
PGLSP0001QSZZ	1- 16	AX		C
PGLSP0002QSZZ	1- 37	AU		C
PGSK-0001QSZZ	12- 25	AG	N	C
PGSK-0006QSZZ	12- 26	AE	N	C
PGSK-1004DCZZ	12- 23	AF		C
PGUMS0004QSZZ	12- 39	AA		C
PMiR-0002QSZZ	14- 12	AN		B
PMLT-0006QSZZ	26- 5	AC		C
PMLT-0007QSZ1	26- 7	AC		C
PMLT-0009QSZZ	26- 6	AC		C
PMLT-0024QSZZ	1- 22	AC		C
PMLT-0026QSZZ	16- 39	AC		C
PMLT-0037QSZZ	18- 34	AD	N	C
PPiPP0003QSZZ	17- 17	AD		C
PPiPP0008QSZZ	7- 16	AD		C
PPiPP0010QSZZ	4- 17	AD		C
PPiPP0109FCZZ	17- 10	AB		C
"	22- 17	AB		C
PPiPP0175FCZZ	22- 26	AC		C
PRNGP0090FCZZ	3- 27	AA		C
PSHEP0019QSZ1	24- 3	AC		C
PSHEP0020QSZZ	24- 13	AB		C
PSHEP0021QSZZ	24- 6	AA		C
PSHEP0023QSZZ	19- 35	AF		C
PSHEP0037QSZ1	6- 16	AE		C
PSHEP0038QSZZ	3- 21	AE		C
"	6- 12	AE		C
PSHEP0042QSZZ	12- 11	AC		C
PSHEP0047QSZZ	19- 40	AC		C
PSHEP0061QSZZ	25- 8	AA		C
PSHEP0063QSZZ	6- 13	AC		C
PSHEP3029FCZZ	5- 21	AA		C
"	8- 20	AA		C
PSHEZ0018QSZZ	24- 1	AF		C
PSHEZ0026QSZZ	1- 14	AE		C
PSHEZ0027QSZZ	1- 15	AC		C
PSHEZ0029QSZZ	26- 8	AD		C
PSHEZ0030QSZZ	26- 9	AD		C
PSHEZ0034QSZ1	2- 3	AV		C
PSHEZ0039QSZZ	5- 2	AG		C
"	8- 44	AG		C
PSHEZ0045QSZ1	19- 33	AC		C
PSHEZ0048QSZZ	14- 1	AE		C
PSHEZ0066QSZZ	12- 20	AE		C
PSHEZ0068QSZZ	3- 29	AC		C
PSHEZ0072QSZZ	12- 33	AE		C
PSHEZ0074QSZZ	12- 24	AE		C
PSHEZ0075QSZZ	21- 7	AC		C
PSHEZ0079QSZZ	1- 25	AD		C
PSHEZ0080QSZZ	1- 35	AE		C
"	15- 11	AE		C
PSHEZ0081QSZ1	12- 28	AD		C
PSHEZ0082QSZZ	12- 29	AB		C
PSHEZ0093QSZZ	1- 31	AC		C
PSHEZ0094QSZZ	1- 32	AC		C
PSHEZ0095QSZZ	1- 33	AD		C
PSHEZ0102QSZZ	6- 14	AD		C
PSHEZ0111QSZZ	12- 30	AC		C
PSHEZ0112QSZZ	6- 22	AE		C
PSHEZ0115QSZ1	17- 55	AC		C
PSHEZ0118QSZZ	3- 44	AE		C
PSHEZ0119QSZZ	3- 32	AE		C
PSHEZ0141QSZZ	12- 34	AC		C
"	27- 9	AC		C
PSHEZ0151QSZZ	3- 23	AD		C
PSHEZ0155QSZZ	16- 38	AD		C
PSHEZ0156QSZZ	16- 36	AE		C
PSHEZ0162QSZZ	5- 44	AB		C
PSHEZ0163QSZ1	18- 25	AC		C
PSHEZ0164QSZZ	5- 42	AF		C

PARTS CODE	NO.	PRICE RANK	NEW MARK	PART RANK
PSHEZ0164QSZZ	8- 31	AF		C
PSHEZ0181QSZZ	1- 38	AC		C
PSHEZ0188QSZ1	7- 33	AL	N	C
PSHEZ0188QSZ2	7- 33	AL	N	C
PSHEZ0188QSZ3	7- 33	AL	N	C
PSHEZ0188QSZ4	7- 33	AL	N	C
PSHEZ0190QSZZ	29- 2	AD		C
PSHEZ0195QSZZ	18- 35	AD	N	C
PSHEZ2026FCZ1	17- 29	AB		C
PSHEZ2174FCZZ	5- 1	AB		C
"	8- 42	AB		C
"	17- 36	AB		C
PSHEZ4142FCZZ	25- 2	AC		C
PSPAF0013QSZZ	30- 1	AD		C
PSPAZ0017QSZZ	16- 32	AK		C
PSPO-0001QSZZ	3- 37	AB		C
"	6- 19	AB		C
PSPO-0002QSZZ	4- 2	AC		C
PSPO-0003QSZZ	3- 34	AC		C
PSPO-0004QSZZ	3- 20	AB		C
"	5- 14	AB		C
PSPO-0006QSZ1	7- 11	AB		C
PTME-0002QSZZ	20- 24	AD		C
PTME-0003QSZ1	20- 26	AD		C
PTME-0004QSZZ	10- 2	AG		C
PTME-0019QSZZ	4- 26	AD		C
"	7- 29	AD		C
PTME-0178FCZZ	22- 32	AC		C
PTME-0179FCZZ	22- 31	AC		C
PTME-0255FCZZ	25- 6	AG		C
PTME-0256FCZZ	25- 14	AG		C
PTPE-0010QSZZ	1- 34	AC		C
PTUBP0005QSZZ	15- 13	AC		C
PTUBP0119FCZZ	8- 50	AB		C
PWIR-0001QSZZ	19- 3	AF		C
PWIR-0003QSZZ	11- 1	AR		C
[Q]				
QACCB7620QCN1	28- 3	AX		B
QACCB7622QCN1	28- 3	AZ		B
QACCD7618QCZZ	28- 3	AQ		B
QACCJ9610QCZZ	28- 3	AR		B
QACCL7621QCZZ	28- 3	AX		B
QACCV6621QCN1	28- 3	AU		B
QCNCM0011QSZZ	32- 1	AH		C
QCNCM0811FCZZ	30- 2	AC		C
QCNCM0861FCZZ	31- 1	AB		C
QCNCM0879FCZZ	36- 1	AF		C
QCNCM0923FC10	36- 2	AE		C
QCNCM0923FC14	36- 3	AE		C
QCNCM0923FC18	36- 4	AF		C
QCNCM0923FC24	36- 5	AF		C
QCNCM1005MCZZ	36- 6	AB		C
QCNCM1069AC0D	36- 7	AC		C
QCNCM1119LC0C	36- 8	AC		C
QCNCM1119LC0E	36- 9	AC		C
QCNCM2401SC0C	36- 10	AB		C
QCNCM2401SC0E	36- 12	AC		C
QCNCM2401SC0F	36- 13	AB		C
QCNCM7014SC0C	36- 14	AA		C
QCNCM7014SC0D	36- 15	AB		C
QCNCM7014SC0E	36- 16	AB		C
QCNCM7022SC1J	29- 3	AE		C
QCNCP0340QCZZ	36- 17	AC		C
QCNCW0012QSZZ	36- 18	AH		C
QCNCW0015QSZZ	36- 19	AE		C
QCNCW0024QSZZ	36- 20	AF		C
QCNCW0034QSZZ	29- 4	AL		C
QCNCW0948FCZ5	36- 22	AC		C
QCNCW1124LC0D	36- 23	AB		C
QCNCW1124LC0H	36- 24	AC		C
QCNCW1124LC1H	36- 25	AD		C
QCNCW1124LC3A	36- 26	AE		C
QCNCW1132LC1H	31- 2	AD		C
QCNCW-0003QSZZ	28- 25	*	N	C
QCNCW-7252HSZZ	28- 25	*	N	C
QCNCW-7253HSZZ	28- 25	*	N	C
QCNCW-7254HSZZ	28- 25	*	N	C
QSLP-0005QSZZ	16- 16	AE		C
QSLP-0006QSZZ	16- 14	AE		C
QSLP-0007QSZZ	24- 9	AC		C
QSOCZ0002GCZZ	36- 27	AD		C

PARTS CODE	NO.	PRICE RANK	NEW MARK	PART RANK
QSOCZ0051FCZZ	29- 5	AD		C
QSOCZ6408ACZZ	36- 28	AB		C
QSW-B0003QSZZ	17- 26	AF		B
"	18- 26	AF		B
QSW-P0005QSZZ	30- 3	AC		B
"	31- 3	AC		B
[R]				
RADPA0002QSZZ	28-105	*	N	D
RADPA0003QSZZ	28-105	*	N	D
RADPA0004QSZZ	28-105	*	N	D
RADPA0005QSZZ	28-105	*	N	D
RC-DZ1080RC0L	29- 6	AR		C
RC-KZ1053RC1E	29- 7	AC		C
RCiLZ0003QSZZ	36- 29	AC		C
RCiLZ0004QSZZ	36- 30	AE		C
RCiLZ0007QSZZ	29- 8	AF		C
RCiLZ1032CCZZ	29- 9	AD		C
"	36- 31	AD		C
RCiLZ1063YCZZ	29- 10	AC		C
RCiLZ7009XCZZ	29- 11	AC		C
RCORF0002QSZZ	12- 22	AE		C
"	15- 12	AE		C
RCORF0003QSZZ	18- 33	AL		C
RCRMZ0002QSZZ	30- 4	AE		C
RCRSP6676RCZZ	29- 12	AG		B
RCRSZ0001QSZZ	36- 32	AG		B
RCRSZ0003QSZZ	36- 33	AP		B
RCRSZ0011QSZZ	36- 34	AP		B
RCRSZ0013QSZZ	29- 13	AP		B
RDTCT0004QSZZ	5- 37	AL		B
"	8- 46	AL		B
RDTCT0128FCZZ	19- 9	AR		C
RFiLZ0002QSZZ	29- 14	AG		C
RFiLZ0004QSZZ	36- 35	AM		C
RH-DZ0016FCZZ	36- 36	AB		B
RLMPU0010QSZZ	19- 22	BA		B
RLMPU0011QSZZ	19- 22	BA		B
RMOTD0009QSZZ	16- 9	AU		B
RMOTP0010QSZZ	20- 2	BN		B
RMOTP0011QSZZ	11- 20	BA		B
RMOTP0012QSZZ	16- 35	AW		B
RMOTP0013QSZZ	5- 13	BB		B
"	8- 9	BB		B
RMPTW4100QCJJ	36- 37	AA		B
RMPTW4102QCJJ	36- 38	AB		B
RMPTW4103QCJJ	29- 16	AB		B
RMPTW4203QCJJ	36- 39	AA		B
RMPTW4220QCJJ	29- 17	AB		B
RMPTW4223QCJJ	29- 18	AB		B
RMPTW4300QCJJ	36- 40	AA		B
RMPTW4390QCJJ	29- 19	AA		B
RMPTW4470QCJJ	36- 41	AB		B
RPLU-0002QSZZ	20- 25	AN		B
RPLU-0003QSZZ	22- 29	AN		B
RPLU-0004QSZ1	4- 11	AQ		B
RPLU-0005QSZZ	3- 17	AQ		B
RPLU-0015QSZZ	5- 15	AS		B
RPLU-0016QSZZ	20- 22	AN		B
RPLU-0017QSZZ	7- 21	AQ		B
RTRNZ7014XCZZ	29- 20	AR		B
RUNTK0001YSZZ	26- 2	BB	N	C
RVR-B1440QCZZ	30- 5	AF		B
[S]				
SPAKA0050QSZZ	28- 11	AE		D
SPAKA0051QSZZ	28- 14	AC		D
SPAKA0063QSZZ	28- 1	AQ		D
SPAKA0064QSZ1	28- 14	*		D
SPAKA0068QSZZ	28- 18	AD		D
SPAKA0106QSZZ	28- 9	AY		D
SPAKA0163QSZZ	28- 14	AC		D
SPAKA0186QSZZ	28- 2	AR		D
SPAKA0188QSZZ	28- 19	AF		D
SPAKA0189QSZZ	28- 20	AF		D
SPAKA0191QSZZ	28- 1	AN		D
SPAKA0192QSZZ	28- 2	AR		D
SPAKA0208QSZZ	28- 1	AN	N	D
SPAKA0209QSZZ	28- 2	AQ	N	D
SPAKA5116FCZZ	28- 21	AB		D
SPAKC0195QSZZ	28- 10	*		D
SPAKC0210QSZZ	28- 10	AY		D
SPAKC0212QSZZ	28- 10	AZ		D

PARTS CODE	NO.	PRICE RANK	NEW MARK	PART RANK
SSAKA2341QCZZ	28-109	AA		D
SSAKA2347QCZZ	28- 8	AB		D
SSAKA5003CCZZ	28- 5	AA		D
[T]				
TCADZ0049QSZZ	28-107	AH		D
TCADZ2001QCZA	28-101	AE		D
"	28-102	AE		D
TCAUA0770FCZZ	1- 19	AB		D
TCAUH0007QSZZ	28-104	AD		D
TCAUH0991FCZZ	19- 32	AE		C
TCAUH0992FCZ1	19- 32	AF		C
TiNSD0351QSZZ	28- 7	*	N	D
TiNSE0266QSZZ	28- 7	*		D
TiNSE0354QSZZ	28- 7	*	N	D
TiNSE0355QSZZ	28- 7	*	N	D
TiNSE0366QSZZ	28- 7	*	N	D
TiNSE0369QSZZ	28- 7	*	N	D
TiNSF0268QSZZ	28- 7	*	N	D
TiNSF0367QSZZ	28- 7	*	N	D
TiNSF0370QSZZ	28- 7	*	N	D
TiNSG0264QSZZ	28- 7	*	N	D
TiNSH0353QSZZ	28- 7	*	N	D
TiNSi0349QSZZ	28- 7	*	N	D
TiNSR0356QSZZ	28- 7	*	N	D
TiNSR0357QSZZ	28- 7	*	N	D
TiNSS0358QSZZ	28- 7	*	N	D
TiNSS0359QSZZ	28- 7	*	N	D
TiNSS0394QSZZ	28- 7	*	N	D
TiNSW0352QSZZ	28- 7	*	N	D
TiNSZ0348QSZZ	28- 7	*	N	D
TiNSZ0360QSZZ	28- 7	*	N	D
TiNSZ0361QSZZ	28- 7	*	N	D
TLABH0152QSZZ	28-106	AD		D
TLABH0153QSZZ	28-106	AD	N	D
TLABH0154QSZZ	28-106	AD	N	D
TLABH0167QSZZ	1- 11	AF		D
TLABH0214QSZZ	1- 11	AF	N	D
TLABZ0058QSZZ	28-103	AD	N	D
TLABZ3568FCZZ	25- 12	AB		D
TTAG-0002QSZZ	28- 13	AB		D
TTAG-0003QSZZ	28- 15	AC		D
[U]				
UBAGF0039FCZZ	28- 6	AG		D
UBATL2034SCZZ	29- 21	AH		B
UBNDA0001FCZZ	28- 4	AA		C
[V]				
VCCCCY1EH102J	29- 22	AB		C
VCCCCY1HH101J	29- 23	AA		C
"	36- 43	AA		C
VCCCCY1HH120J	36- 44	AA		C
VCCCCY1HH180J	29- 24	AA		C
"	36- 45	AA		C
VCCCCY1HH201J	29- 25	AA		C
VCCCCY1HH220J	29- 26	AA		C
VCCCCY1HH330J	36- 46	AA		C
VCCCCY1HH470J	36- 47	AA		C
VCCCTQ1HH332J	29- 27	AC		C
VCCCTV1HH201J	31- 4	AA		C
VCCCTV1HH330J	29- 28	AA		C
VCCCTV1HH471J	30- 6	AA		C
VCEAEA1HW335M	29- 30	AA		C
VCEAEU1CW107M	29- 29	AB		C
VCEAGA0JW107M	29- 31	AC		C
VCEAGA1AW226M	29- 32	AB		C
VCEAGA1CW106M	36- 48	AA		C
VCEAGA1CW107M	36- 49	AC		C
VCEAGA1CW226M	36- 50	AB		C
VCEAGA1CW476M	36- 51	AB		C
VCEAGA1EW106M	36- 52	AA		C
VCEAGA1EW476M	36- 53	AA		C
VCEAGA1HW474M	36- 54	AB		C
VCEAGA1VW106M	36- 55	AA		C
VCEAGA1VW226M	36- 56	AC		C
VCEAGA1VW476M	36- 57	AB		C
VCEAGU1CW106M	29- 33	AA		C
VCEAGU1CW226M	29- 34	AA		C
VCEAGU1CW476M	29- 35	AB		C
VCEAJU1CW226M	30- 7	AB		C
VCEAJU1CW476M	31- 5	AB		C
VCFYJU2EA224K	29- 36	AD		C
VCFYJU2EA334K	29- 37	AD		C

PARTS CODE	NO.	PRICE RANK	NEW MARK	PART RANK
VCFYJU2EA474K	29- 38	AD		C
VCFYJU2EA824K	29- 39	AE		C
VCKYCY1CB333K	29- 40	AB		C
VCKYCY1EB223K	36- 60	AA		C
VCKYCY1EF104Z	29- 41	AA		C
VCKYCY1HB102K	36- 59	AA		C
VCKYCY1HB103K	29- 42	AA		C
VCKYCY1HB222K	36- 61	AA		C
VCKYCY1HB331K	29- 43	AA		C
VCKYCY1HB391K	29- 44	AB		C
VCKYCY1HB471K	36- 63	AB		C
VCKYCY1HF473Z	29- 45	AA		C
VCKYPU1HB102K	33- 3	AA		C
"	34- 3	AA		C
"	35- 3	AA		C
VCKYTQ1HF104Z	32- 2	AA		C
VCKYTV1EB104K	30- 8	AA		C
"	31- 6	AA		C
VCKYTV1HB102K	31- 7	AA		C
VCKYTV1HB223K	31- 8	AA		C
"	32- 3	AA		C
VCKYTW1HB104K	36- 64	AC		C
VCQYNA1HM102K	29- 46	AA		C
VCQYNA1HM333K	29- 47	AA		C
VCQYNU1HM332J	29- 49	AC		C
VCQYNU1HM683J	29- 50	AC		C
VHD10E1///-1	29- 58	AA		B
VHD1N4005E/-1	36- 65	AB		B
VHD1SS355// -1	29- 57	AB		B
VHDDA204K// -1	36- 66	AC		B
VHDDAN202U/-1	29- 51	AB		B
"	30- 9	AB		B
"	36- 67	AB		B
VHDDAP202U/-1	29- 52	AB		B
"	30- 10	AB		B
VHDDSS133// -1	29- 53	AA		B
"	31- 9	AA		B
"	36- 69	AA		B
VHDEK14///-1	29- 54	AE		B
VHDRB501V40-1	29- 55	AD		B
VHDS1NB60// -1	29- 56	AD		B
VHEHZ3B1///-1	29- 59	AB		B
VHEMTZJ22B/-1	36- 70	AA		B
VHERD27EB// -1	29- 60	AB		B
VHERD4.3EL3-1	29- 61	AB		B
VHERD5.6EB/-1	29- 62	AC		B
VHi16163CLT-6	32- 4	BA		B
VHi1816-6// -1	29- 84	AZ		B
VHi27C08005QS	29- 1	BA	N	B
VHi74VHC08/-1	36- 72	AE		B
VHi74VHC11///	29- 85	AF		B
VHiBU4051BCF/	29- 63	AF		B
VHiBU4053BCF1	29- 64	AE		B
VHiCG46533175	29- 66	BA		B
VHiCGS410// -1	29- 65	AU		B
VHiH8S/2350FP	36- 73	AY		B
VHiHD4074344/	30- 11	AX		B
VHiHG73C025FD	36- 74	BE		B
VHiHY18164CSJ	29- 67	AZ		B
VHiLC7935// -1	31- 10	AN		B
VHiLC8213K/-1	29- 68	AZ		B
VHiLM311// -1F	29- 69	AD		B
VHiLM358PS/-S	36- 75	AC		B
VHiLM386M// -1	29- 70	AE		B
VHiLZ9FH19///	29- 71	AV		B
VHiM24C02WBN6	36- 76	AG		B
VHiM51953BL-1	36- 77	AF		B
VHiM66236FP-1	36- 78	AT		B
VHiMC34063P-1	29- 72	AN		B
VHiNJM084M/-F	29- 73	AH		B
VHiNJM2903M/-	36- 79	AD		B
VHiNJM3414M-1	36- 80	AF		B
VHiNJM431U/-1	30- 12	AF		B
VHiNJM4558MF1	29- 74	AE		B
VHiNJU6355E-1	29- 75	AM		B
VHiNS32FX164/	29- 77	BG		B
VHiNSFX200-25	29- 76	BG		B
VHiSLA7027MU/	36- 81	AQ		B
VHiSN74LS07NS	36- 82	AF		B
VHiTA7291S/-1	36- 83	AF		B
VHiTC74HC14FN	36- 84	AH		B

PARTS CODE	NO.	PRICE RANK	NEW MARK	PART RANK
VH i TC74HC151F	31- 11	AG		B
"	36- 85	AG		B
VH i TD62003AP1	36- 86	AG		B
VH i TD62064AF/	36- 87	AM		B
VH i TD62503F/-	36- 88	AG		B
VH i THS56F//--1	29- 78	AS		B
VH i TL431CLP-2	29- 79	AG		B
VH i ULN2003ANS	29- 80	AE		B
VH i W166G/////	29- 81	AT		B
VH i W24257A12J	29- 82	AN		B
"	36- 89	AN		B
VH i W2465S70LL	29- 83	AW		B
VHP1LHEE-002A	31- 13	AC		B
VHP1LHLE-002A	30- 13	AC		B
"	31- 12	AC		B
VHPCST338G-25	31- 12	AP		B
"	31- 14	AP		B
VHPGP1S53V/-1	33- 4	AE		B
"	34- 4	AE		B
"	35- 4	AE		B
VHPPC817///-1	29- 86	AF		B
VHPTLP627//--1	29- 87	AH		B
VHVRA501PV6-1	29- 88	AE		B
VRD-HT2EY181J	29- 90	AA		C
VRD-HT2EY303J	29- 91	AA		C
VRD-HT2EY392J	29- 92	AA		C
VRD-HT2EY473J	29- 94	AA		C
VRD-HT2EY4R7J	29- 93	AA		C
VRD-HT2EY561J	29- 95	AA		C
VRD-HT2EY822J	29- 96	AA		C
VRD-HT2HY101J	29- 97	AA		C
VRD-HT2HY122J	29- 99	AA		C
VRD-HT2HY561J	29-100	AA		C
VRH-ST2HB157K	19- 2	AD		C
VRNHT2EK1301F	36- 91	AB		C
VRS-CY1JD000J	29-101	AA		C
VRS-CY1JD100J	29-102	AA		C
"	36- 94	AA		C
VRS-CY1JD101J	29-103	AA		C
"	36- 95	AA		C
VRS-CY1JD102F	36- 96	AA		C
VRS-CY1JD102J	29-104	AA		C
"	36- 97	AA		C
VRS-CY1JD103F	36- 98	AB		C
VRS-CY1JD103J	29-105	AA		C
"	36- 99	AA		C
VRS-CY1JD104J	29-106	AA		C
VRS-CY1JD105F	36-100	AA		C
VRS-CY1JD105J	29-107	AA		C
VRS-CY1JD106J	29-108	AA		C
VRS-CY1JD121J	29-109	AA		C
VRS-CY1JD122J	36-101	AA		C
VRS-CY1JD123J	29-110	AA		C
VRS-CY1JD152J	36-102	AA		C
VRS-CY1JD181J	29-111	AA		C
VRS-CY1JD182J	29-112	AA		C
VRS-CY1JD202J	36-103	AA		C
VRS-CY1JD203J	36-104	AA		C
VRS-CY1JD205J	36-105	AA		C
VRS-CY1JD221J	29-113	AA		C
VRS-CY1JD222J	29-114	AA		C
"	36-106	AA		C
VRS-CY1JD223J	29-115	AA		C
VRS-CY1JD242J	36-107	AA		C
VRS-CY1JD301J	36-108	AA		C
VRS-CY1JD330J	29-116	AA		C
VRS-CY1JD331J	29-117	AA		C
"	36-109	AA		C
VRS-CY1JD332J	36-110	AA		C
VRS-CY1JD333J	29-118	AA		C
"	36-111	AA		C
VRS-CY1JD390J	29-119	AA		C
VRS-CY1JD470J	36-112	AA		C
VRS-CY1JD472J	29-120	AA		C
"	36-113	AA		C
VRS-CY1JD473J	29-121	AA		C
"	36-114	AA		C
VRS-CY1JD511J	29-122	AA		C
VRS-CY1JD512J	29-123	AA		C
"	36-115	AA		C
VRS-CY1JD562J	29-124	AA		C

PARTS CODE	NO.	PRICE RANK	NEW MARK	PART RANK
VRS-CY1JD621F	36-116	AA		C
VRS-CY1JD621J	36-117	AA		C
VRS-CY1JD622J	29-125	AA		C
VRS-CY1JD680J	36-118	AA		C
VRS-CY1JD750J	29-126	AA		C
VRS-CY1JD751J	36-119	AA		C
VRS-CY1JD752J	36-120	AA		C
VRS-CY1JD821J	29-127	AA		C
VRS-CY1JD822J	29-128	AA		C
VRS-CY1JD911J	29-129	AA		C
VRS-CY1JD912J	36-121	AA		C
VRS-HT3DA102J	36-122	AA		C
VRS-HT3DA1R0J	36-123	AB		C
VRS-HT3DAR22J	36-124	AA		C
VRS-RE3AA333J	29-130	AK		C
VRS-RE3DA101J	29-131	AB		C
VRS-TP2BD000J	30- 14	AA		C
"	31- 15	AA		C
VRS-TP2BD121J	36-125	AA		C
VRS-TP2BD151J	36-126	AA		C
VRS-TP2BD221J	36-127	AB		C
VRS-TP2BD241J	36-128	AA		C
VRS-TP2BD432J	36-129	AA		C
VRS-TP2BD472J	36-130	AA		C
VRS-TS2AD000J	29-132	AA		C
VRS-TS2AD100J	32- 5	AA		C
VRS-TS2AD101J	30- 15	AA		C
"	31- 16	AA		C
VRS-TS2AD102J	30- 16	AA		C
"	31- 17	AA		C
VRS-TS2AD103J	30- 17	AA		C
"	31- 18	AA		C
VRS-TS2AD105J	30- 18	AA		C
VRS-TS2AD121J	31- 19	AA		C
VRS-TS2AD151J	31- 20	AA		C
VRS-TS2AD152J	31- 21	AA		C
VRS-TS2AD202J	30- 19	AA		C
VRS-TS2AD203J	30- 20	AA		C
VRS-TS2AD242F	30- 21	AB		C
VRS-TS2AD272F	30- 22	AA		C
VRS-TS2AD391J	30- 23	AA		C
VRS-TS2AD472J	31- 22	AA		C
VRS-TS2AD511J	31- 23	AA		C
VRS-TS2AD680J	29-133	AA		C
VRSCY1JD1542F	29-134	AA		C
VRSCY1JD2153F	29-135	AA		C
VRSCY1JD2433F	29-136	AA		C
VRSCY1JD3740F	29-137	AA		C
VRSCY1JD3921F	29-138	AA		C
VRSCY1JD4642F	29-139	AA		C
VRSCY1JD4872F	29-140	AA		C
VRSCY1JD5112F	29-141	AA		C
VRSCY1JR5622F	29-142	AA		C
VS2SA1036KQRC	36-131	AB		B
VS2SC3382--/-1	29-145	AD		B
VS2SC3708--/-1	29-146	AD		B
VS2SD1853--/-1	36-132	AC		B
VSBUK554/200A	29-143	AN		B
VSDTA143EK/-1	30- 25	AB		B
VSDTA143XK/-1	36-133	AB		B
VSDTB113ZK/-1	31- 24	AD		B
VSDTC114EKA-1	29-144	AC		B
"	36-134	AC		B
VSP50PB518P//	8- 5	AL		B
VVLHLM3212-01	30- 26	BA		E
[X]				
XBBSD30P04000	5- 18	AA		C
"	20- 21	AA		C
XBBSD30P08000	12- 8	AA		C
"	16- 29	AA		C
"	22- 34	AA		C
XBBSD40P06000	20- 1	AA		C
XBBSE30P08000	1- 9	AA		C
"	1- 29	AA		C
"	12- 41	AA		C
XBPSC30P06ES0	23- 4	AA		C
XBPSC30P06K00	16- 17	AA		C
XBPSD30P05K00	5- 19	AA		C
"	8- 17	AA		C
"	11- 5	AA		C
XBPSD30P06KS0	3- 16	AA		C

SHARP

COPYRIGHT © 1999 BY SHARP CORPORATION

All rights reserved.

Printed in Japan.

No part of this publication may be reproduced,
stored in a retrieval system, or transmitted,
in any form or by any means,
electronic, mechanical, photocopying, recording, or otherwise,
without prior written permission of the publisher.

SHARP CORPORATION
Digital Document Systems Group
Quality & Reliability Control Center
Yamatokoriyama, Nara 639-1186, Japan
1999 October Printed in Japan