



**FACSIMILE EQUIPMENT
PARTS REFERENCE LIST**

MODEL: FAX-T92 / T94 / T96

**(For Germany / United Kingdom / France /
Belgium / Netherlands / Switzerland /
Ireland / Denmark / Austria / Spain / Italy /
Portugal / South Africa / Sweden / Norway /
Finland / Czecho / Hungary / Poland /
General)**

FAX727 / 737MC
(For Russia)

© Copyright Brother 2003

All rights reserved

No part of this publication may be reproduced in any form or by any means without permission in writing from the publisher.

Specifications are subject to change without prior notice.

NOTES FOR USING THIS PARTS REFERENCE LIST

1. In the case of ordering parts, it needs mentioning the following items:

- (1) Code
- (2) Q' ty
- (3) Description

Note: No orders without Parts Code or Tool No. can be accepted.

[Example]

| REF.NO. | CODE | Q' TY | DESCRIPTION | REMARKS |
|---------|------|-------|-------------|---------|
| | | | | |

2. Design-changed parts:

When the parts are changed, any one of the following symbols is mentioned in the REMARKS column.

CNG(cng) : The part is changed to a new part.

ADD(add) : The part is newly added.

DEL(del) : The part is deleted.

Symbol in capital letters indicates that the change is the latest one in the page.

3. Parts change will be informed by the technical information.

COUNTRIES

GERMAN ---- GER

UNITED KINGDOM ---- UK

FRANCE ---- FRA

BELGIUM ---- BEL

NETHERLAND ---- NLD

SWITZERLAND ---- CHE

IRELAND ---- IRE

DENMARK ---- DEN

AUSTRIA ---- AUS

SPAIN ---- SPA

ITALY ---- ITA

PORTUGAL ---- POR

SOUTH AFRICA ---- ZAF

SWEDEN ---- SWE

NORWAY ---- NOR

FINLAND ---- FIN

CZECHO ---- CZE

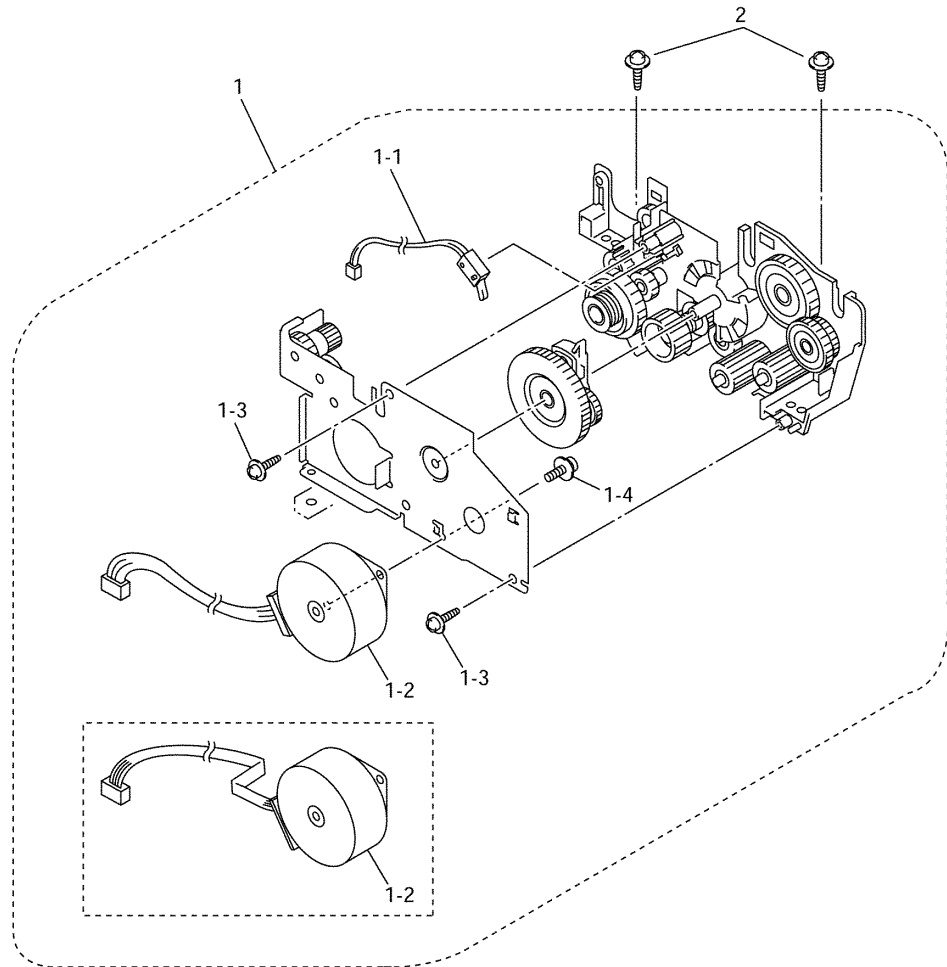
HUNGARY ---- HUN

POLAND ---- POL

GENERAL ---- GEN

RUSSIA ---- RUS

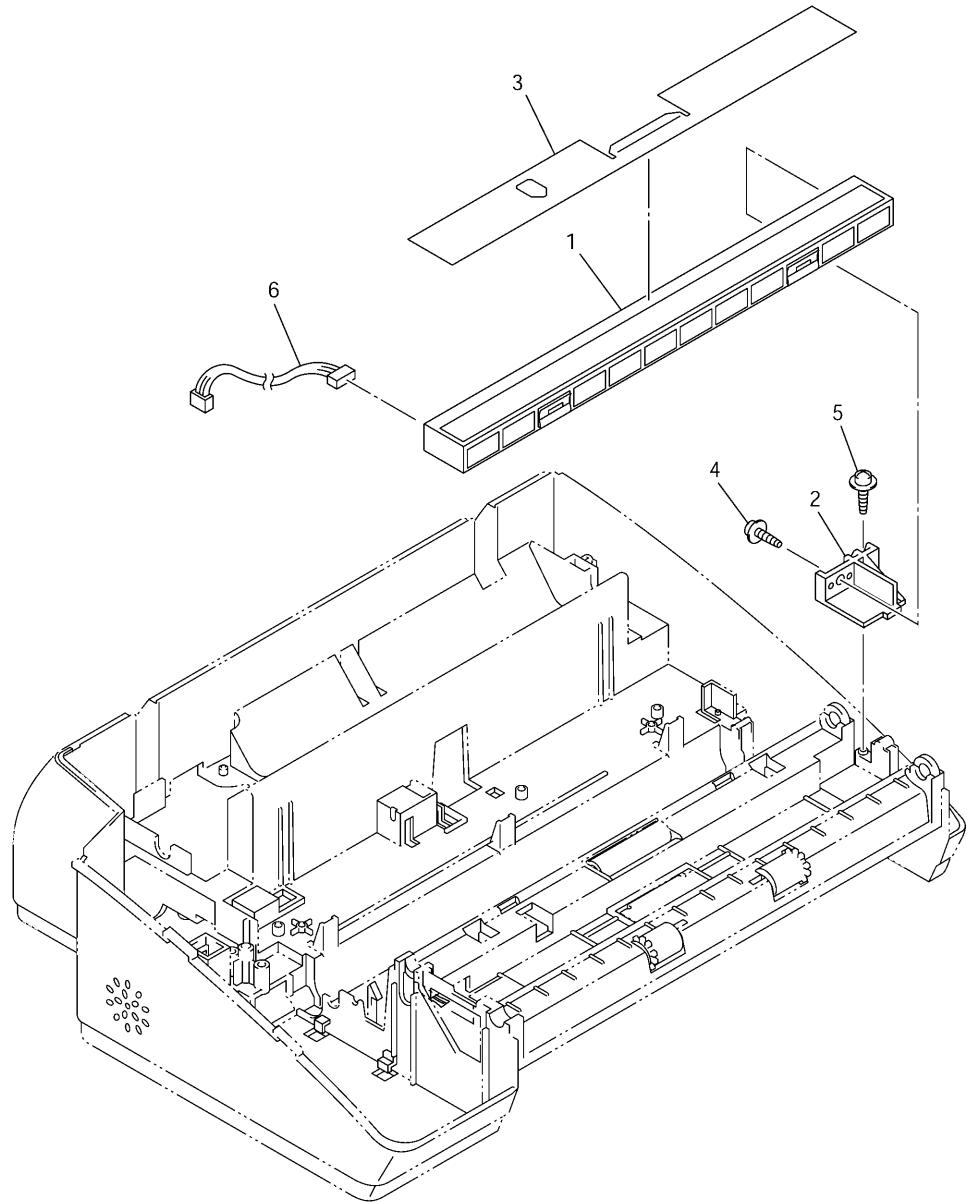
1.DRIVING



LIST1(DRIVING)

| REF No | CODE | Q'TY | DESCRIPTION | RECOMMEND | REMARKS |
|--------|-----------|------|----------------------------|-----------|---------|
| 1 | LF1412001 | 1 | DRIVE UNIT | √ | |
| 1-1 | LG5551001 | 1 | ARM HP SWITCH ASSY | | CHG |
| 1-2 | LE4028001 | 1 | MOTOR | | |
| 1-3 | 087310815 | 2 | TAPTITE, CUP B M3X8 | | |
| 1-4 | U09759001 | 1 | SCREW, PAN(S/P WASHER)M3X6 | | |
| (1-5) | LE5629001 | 1 | PLANETARY GEAR SUPPLY ASSY | | |
| 2 | 087311016 | 2 | TAPTITE, CUP B M3X10 | | |

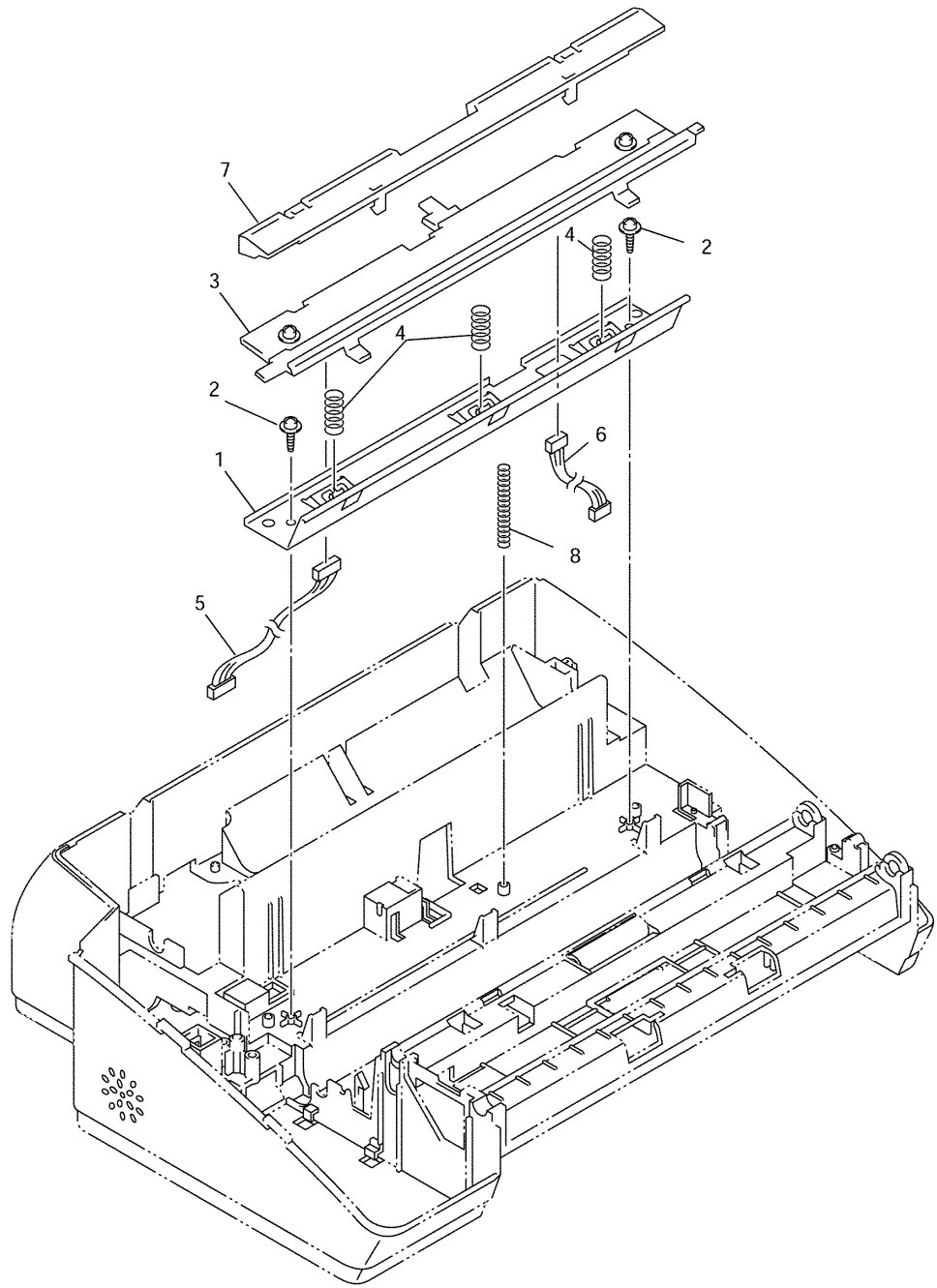
2.SCANNING



LIST2(SCANNING)

| REF No | CODE | QTY | DESCRIPTION | RECOMMEND | REMARKS |
|--------|-----------|-----|-------------------------|-----------|---------|
| 1 | LG5079001 | 1 | CIS UNIT EXCEPT FOR RUS | | |
| 1 | LG3076001 | 1 | CIS UNIT FOR RUS | √ | |
| 2 | LE4029001 | 1 | CIS HOLDER | | |
| 3 | LE4030001 | 1 | CIS FILM | √ | |
| 4 | 085310815 | 1 | TAPTITE, BIND B M3X8 | | |
| 5 | 087310815 | 1 | TAPTITE, CUP B M3X8 | | |
| 6 | LG2557001 | 1 | CIS-MAIN HARNESS | | |

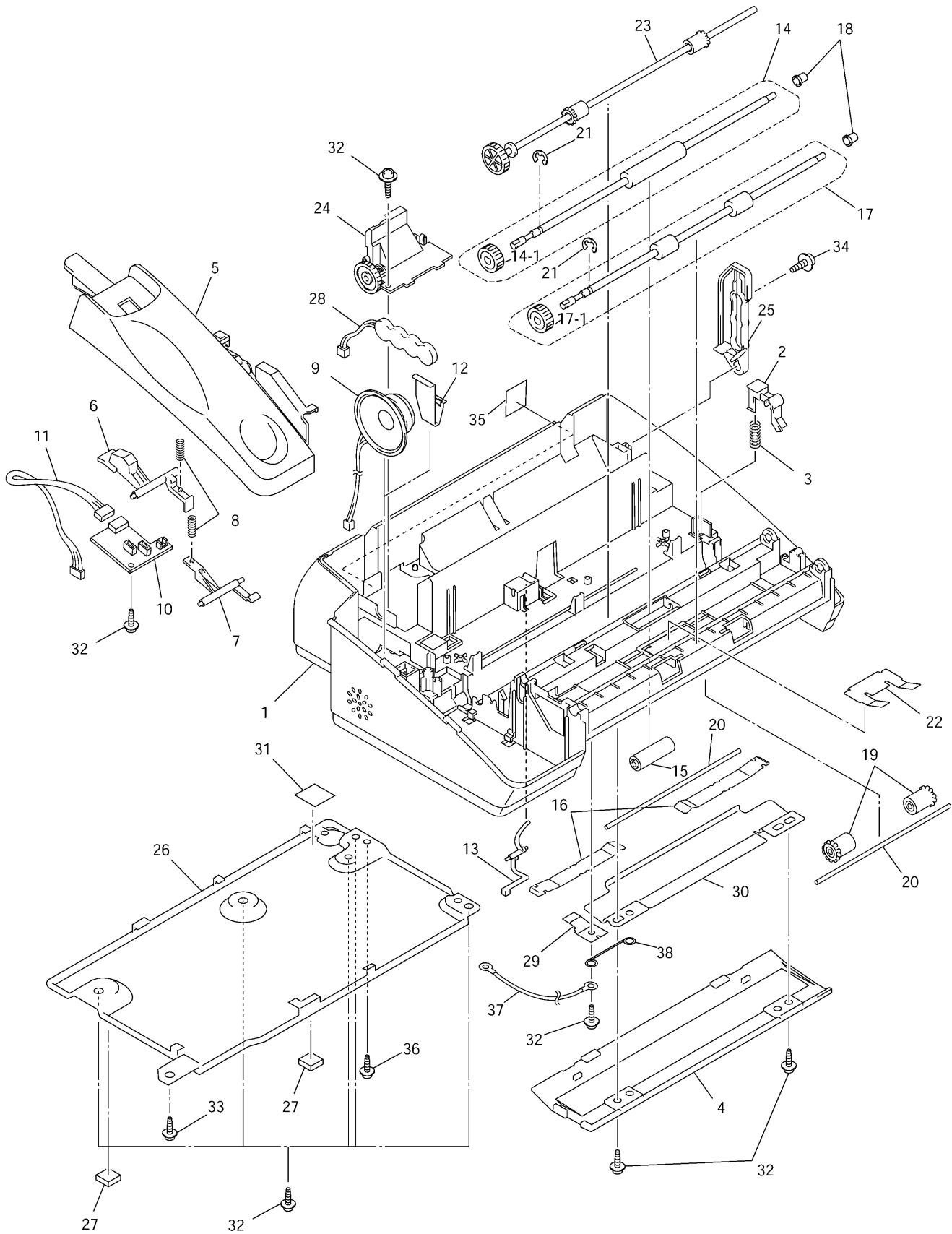
3.RECORDING



LIST3(RECORDING)

| REF No | CODE | Q'TY | DESCRIPTION | RECOMMEND | REMARKS |
|--------|-----------|------|--------------------------------|-----------|---------|
| 1 | LE4031001 | 1 | RECORDER FRAME | | |
| 2 | 087310815 | 2 | TAPTITE, CUP B M3X8 | | |
| 3 | LF8809001 | 1 | RECORDING HEAD T5/T7 ASSY N | √ | CHG |
| 4 | UF8072001 | 3 | HEAD SPRING | | |
| 5 | LG2779001 | 1 | MAIN-HEAD HARNESS, FAX-T92/T94 | | |
| 5 | LG2558001 | 1 | MAIN-HEAD HARNESS, FAX-T96 | | |
| 6 | LG2559001 | 1 | HEAD-POWER HARNESS | | |
| 7 | UF9856001 | 1 | HEAD PROTECTOR | | |
| 8 | LF3090001 | 1 | GROUNDING SPRING | | |

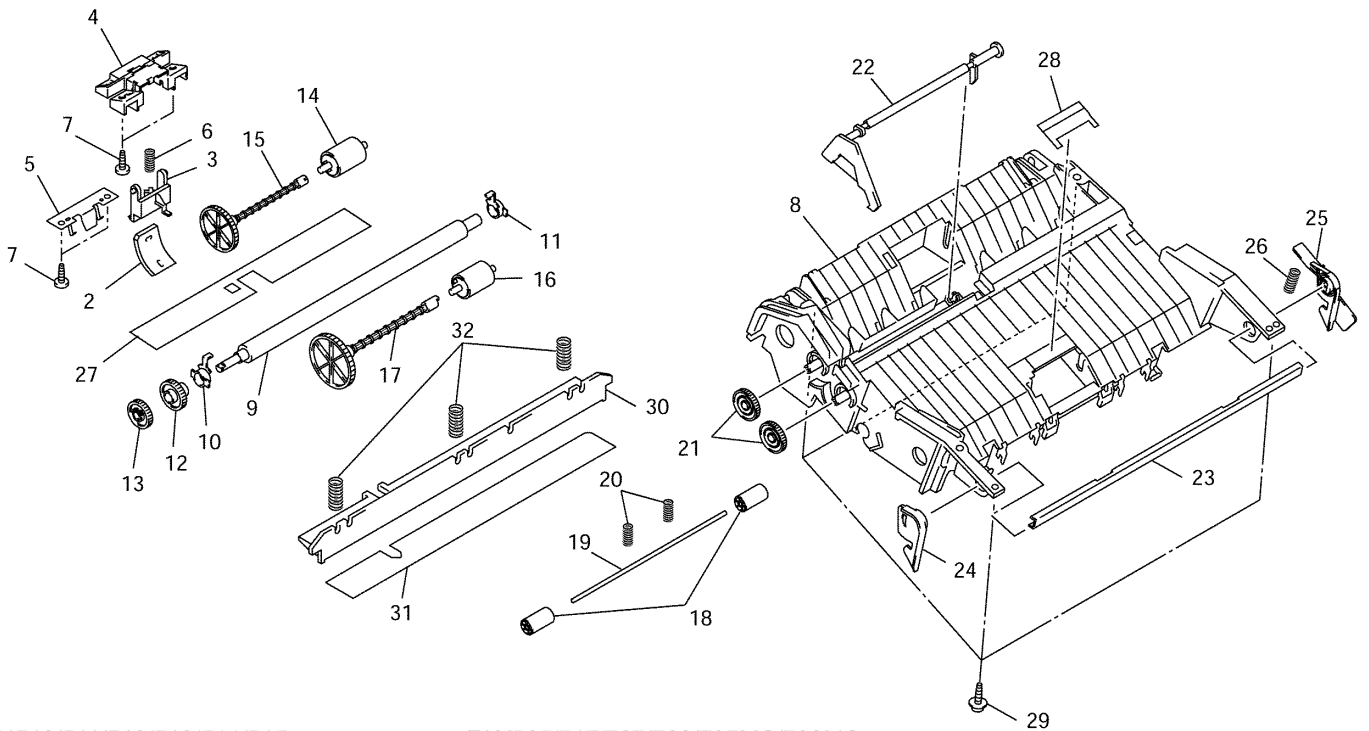
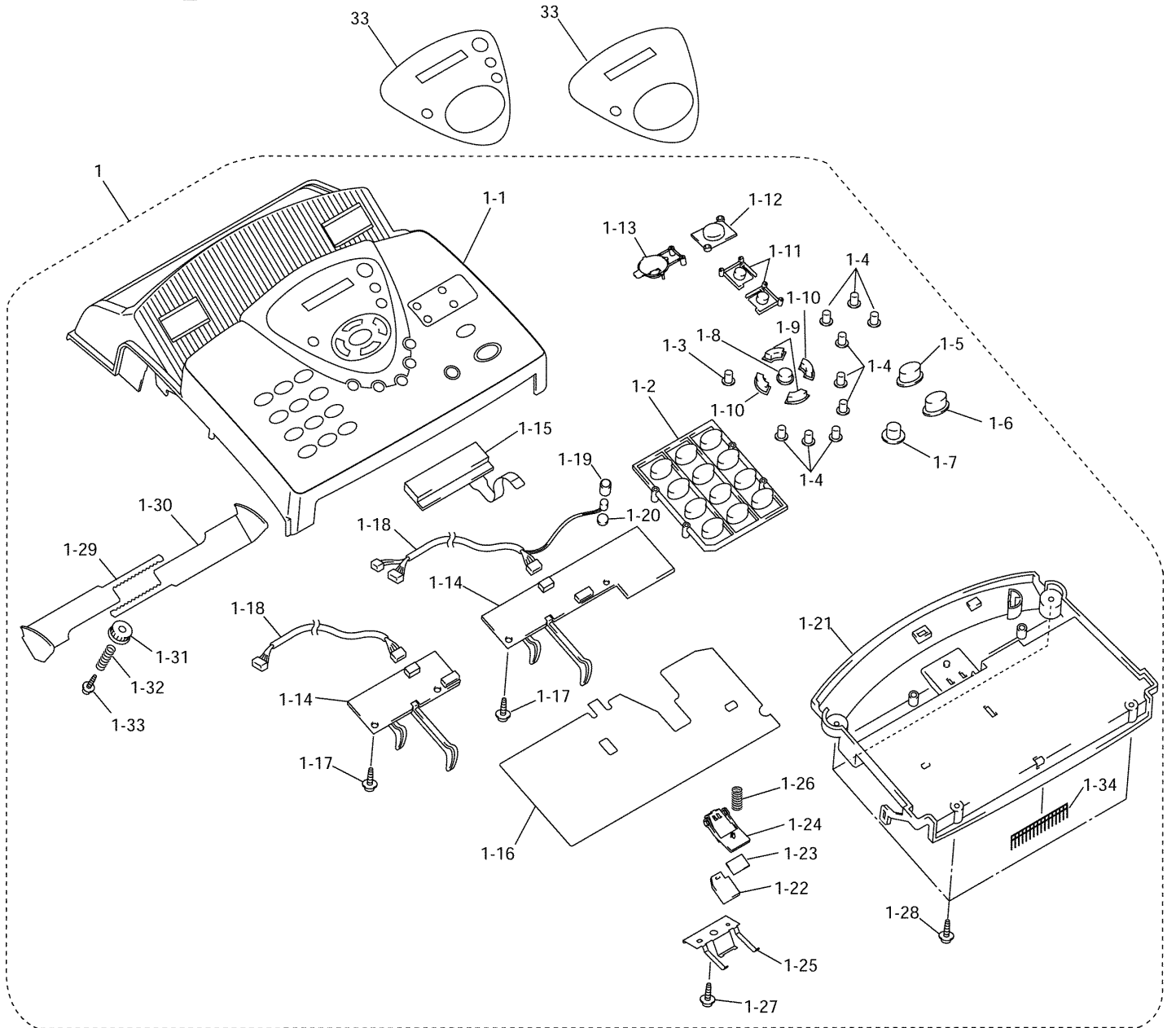
4.COVER



LIST4(COVER)

| REF No | CODE | Q'TY | DESCRIPTION | RECOMMEND | REMARKS |
|--------|-----------|------|--|-----------|---------|
| 1 | LF3093001 | 1 | MAIN FRAME, PURPLE(6255), FAX-T92 | | |
| 1 | LF1880004 | 1 | MAIN FRAME, PURPLE(6255), FAX-T94/T96/727 | | |
| 2 | LE4036001 | 1 | RIBBON SHAFT STOPPER | | |
| 3 | LE4037001 | 1 | RIBBON STOPPER SPRING | | |
| 4 | LE4038001 | 1 | LOWER COVER | | |
| 5 | LE4326003 | 1 | HANDSET MOUNT, FAX-T92 | | |
| 5 | LE4039004 | 1 | HANDSET MOUNT, FAX-T94/T96/727 | | |
| 6 | LE4040001 | 1 | HOOK SWITCH ACTUATOR, FAX-T94/T96/727 | | |
| 7 | LE4041001 | 1 | COVER SENSOR ACTUATOR | | |
| 8 | LE4042001 | 2 | ACTUATOR SPRING | | |
| 9 | LG2630001 | 1 | SPEAKER | | |
| 10 | LG4762001 | 1 | SENSOR PCB ASSY | | |
| 11 | LG2778001 | 1 | SENSOR-MAIN HARNESS, FAX-T92/T94 | | |
| 11 | LG2560001 | 1 | SENSOR-MAIN HARNESS, FAX-T96/727 | | |
| 12 | UF9847001 | 1 | SPEAKER SUPPORT SPRING | | |
| 13 | LE4043001 | 1 | RIBBON SENSOR ACTUATOR | | |
| 14 | LF1885001 | 1 | DOCUMENT LF ROLLER | | |
| 14-1 | LE4047001 | 1 | GEAR, 23 | | |
| 15 | LE4501001 | 1 | DOCUMENT PINCH ROLLER | | |
| 16 | LE4048001 | 2 | PINCH ROLLER SPRING | | |
| 17 | LF1887001 | 1 | DOCUMENT EJECTION ROLLER ASSY | | |
| 17-1 | LE4047001 | 1 | GEAR, 23 | | |
| 18 | UF9949001 | 2 | ROLLER BUSHING | | |
| 19 | LF1734001 | 2 | DOCUMENT PRESSURE ROLLER | | |
| 20 | UF6267000 | 2 | PRESSURE ROLLER SHAFT | | |
| 21 | 048050346 | 2 | RETAINING RING | | |
| 22 | LE4051001 | 1 | DOCUMENT PRESSURE ROLLER SPRING | | |
| 23 | LE4052001 | 1 | PAPER EJECTION ROLLER | | |
| 24 | LE4054001 | 1 | ROM COVER | | |
| 25 | LE4061001 | 1 | COVER STOPPER LINK | | |
| 26 | LE4062001 | 1 | BOTTOM PLATE | | |
| 27 | UF6761001 | 2 | RUBBER FOOT | | |
| 28 | LG2861001 | 1 | BATTERY ASSY, FAX-T96 | | |
| 29 | LE4204001 | 1 | CIS SPRING | | |
| 30 | LE4205001 | 1 | SUPPORT PLATE | | |
| 31 | LE4214001 | 1 | INSULATION SHEET | | |
| 32 | 087310815 | 10 | TAPTITE, CUP B M3X8 | | |
| 33 | U24014002 | 1 | TAPTITE, CUP S M3.0X6 | | |
| 34 | LE4199001 | 1 | TAPTITE, PAN B M4X6D10 | | |
| 35 | UF5745000 | 1 | MJ COVER, EXT FOR GER/UK/FRA/BEL/FIN/AUS/ITA/SWE | | |
| 36 | ---- | | NOT USED | | |
| 37 | LG5697001 | 1 | GROUNDING HARNESS | | ADD |
| 38 | LF3828001 | 1 | GROUNDING WIRE | | ADD |

5.CONTROL_PANEL



LIST5(CONTROL PANEL)

| REF No | CODE | Q'TY | DESCRIPTION | RECOMMEND | REMARKS |
|--------|-----------|------|---|-----------|---------|
| 1 | LF1944001 | 1 | CONTROL PANEL ASSY, FAX-T92 FOR GER/AUS | √ | |
| 1 | LF1973001 | 1 | CONTROL PANEL ASSY, FAX-T94 FOR GERAUS | √ | |
| 1 | LF3032001 | 1 | CONTROL PANEL ASSY, FAX-T96 FOR GER/AUS | √ | |
| 1 | LF1983001 | 1 | CONTROL PANEL ASSY, FAX-T94 FOR UK/CHE/IRE/ZAF/GNR | √ | |
| 1 | LF3043001 | 1 | CONTROL PANEL ASSY, FAX-T96 FOR UK/CHE/IRE/ZAF/GNR | √ | |
| 1 | LF1955001 | 1 | CONTROL PANEL ASSY, FAX-T92 FOR FRA | √ | |
| 1 | LF1991001 | 1 | CONTROL PANEL ASSY, FAX-T94 FOR FRA | √ | |
| 1 | LF3050001 | 1 | CONTROL PANEL ASSY, FAX-T96 FOR FRA | √ | |
| 1 | LF3110001 | 1 | CONTROL PANEL ASSY, FAX-T94 FOR NOR | √ | |
| 1 | LF3182001 | 1 | CONTROL PANEL ASSY, FAX-T96 FOR NOR | √ | |
| 1 | LF3118001 | 1 | CONTROL PANEL ASSY, FAX-T94 FOR BEL | √ | |
| 1 | LF3188001 | 1 | CONTROL PANEL ASSY, FAX-T96 FOR BEL | √ | |
| 1 | LF3126001 | 1 | CONTROL PANEL ASSY, FAX-T94 FOR NLD | √ | |
| 1 | LF3194001 | 1 | CONTROL PANEL ASSY, FAX-T96 FOR NLD | √ | |
| 1 | LF3098001 | 1 | CONTROL PANEL ASSY, FAX-T92 FOR CHE | √ | |
| 1 | LF3138001 | 1 | CONTROL PANEL ASSY, FAX-T94 FOR FIN | √ | |
| 1 | LF3202001 | 1 | CONTROL PANEL ASSY, FAX-T96 FOR FIN | √ | |
| 1 | LF3147001 | 1 | CONTROL PANEL ASSY, FAX-T94 FOR DEN | √ | |
| 1 | LF3209001 | 1 | CONTROL PANEL ASSY, FAX-T96 FOR DEN | √ | |
| 1 | LF1964001 | 1 | CONTROL PANEL ASSY, FAX-T92 FOR SPA | √ | |
| 1 | LF1997001 | 1 | CONTROL PANEL ASSY, FAX-T94 FOR SPA | √ | |
| 1 | LF3056001 | 1 | CONTROL PANEL ASSY, FAX-T96 FOR SPA | √ | |
| 1 | LF3018001 | 1 | CONTROL PANEL ASSY, FAX-T94 FOR ITA | √ | |
| 1 | LF3063001 | 1 | CONTROL PANEL ASSY, FAX-T96 FOR ITA | √ | |
| 1 | LF3157001 | 1 | CONTROL PANEL ASSY, FAX-T94 FOR POR | √ | |
| 1 | LF3217001 | 1 | CONTROL PANEL ASSY, FAX-T96 FOR POR | √ | |
| 1 | LF3168001 | 1 | CONTROL PANEL ASSY, FAX-T94 FOR SWE | √ | |
| 1 | LF3225001 | 1 | CONTROL PANEL ASSY, FAX-T96 FOR SWE | √ | |
| 1 | LF3541001 | 1 | CONTROL PANEL ASSY, FAX-T94 FOR CZE/HUN | √ | add |
| 1 | LF3546001 | 1 | CONTROL PANEL ASSY, FAX-T96 FOR CZE/HUN | √ | add |
| 1 | LF3557001 | 1 | CONTROL PANEL ASSY, FAX-T94 FOR POL | √ | add |
| 1 | LF3567001 | 1 | CONTROL PANEL ASSY, FAX-T96 FOR POL | √ | add |
| 1 | LF3351001 | 1 | CONTROL PANEL ASSY FOR FAX727 | √ | |
| 1 | LF3369001 | 1 | CONTROL PANEL ASSY FOR FAX737MC | √ | |
| 1-1 | LF1947001 | 1 | PRINTED PANEL COVER, FAX-T92 FOR GER/AUS | | |
| 1-1 | LF1975001 | 1 | PRINTED PANEL COVER, FAX-T94 FOR GER/AUS | | |
| 1-1 | LF3034001 | 1 | PRINTED PANEL COVER, FAX-T96 FOR GER/AUS | | |
| 1-1 | LF1985001 | 1 | PRINTED PANEL COVER, FAX-T94 FOR UK/CHE/IRE/ZAF/GNR | | |
| 1-1 | LF3045001 | 1 | PRINTED PANEL COVER, FAX-T96 FOR UK/CHE/IRE/ZAF/GNR | | |
| 1-1 | LF1957001 | 1 | PRINTED PANEL COVER, FAX-T92 FOR FRA | | |
| 1-1 | LF1993001 | 1 | PRINTED PANEL COVER, FAX-T94 FOR FRA | | |
| 1-1 | LF3052001 | 1 | PRINTED PANEL COVER, FAX-T96 FOR FRA | | |
| 1-1 | LF3112001 | 1 | PRINTED PANEL COVER, FAX-T94 FOR NOR | | |
| 1-1 | LF3184001 | 1 | PRINTED PANEL COVER, FAX-T96 FOR NOR | | |
| 1-1 | LF3120001 | 1 | PRINTED PANEL COVER, FAX-T94 FOR BEL | | |
| 1-1 | LF3190001 | 1 | PRINTED PANEL COVER, FAX-T96 FOR BEL | | |
| 1-1 | LF3128001 | 1 | PRINTED PANEL COVER, FAX-T94 FOR NLD | | |
| 1-1 | LF3196001 | 1 | PRINTED PANEL COVER, FAX-T96 FOR NLD | | |
| 1-1 | LF3100001 | 1 | PRINTED PANEL COVER, FAX-T92 FOR CHE | | |
| 1-1 | LF3140001 | 1 | PRINTED PANEL COVER, FAX-T94 FOR FIN | | |
| 1-1 | LF3204001 | 1 | PRINTED PANEL COVER, FAX-T96 FOR FIN | | |
| 1-1 | LF3149001 | 1 | PRINTED PANEL COVER, FAX-T94 FOR DEN | | |
| 1-1 | LF3211001 | 1 | PRINTED PANEL COVER, FAX-T96 FOR DEN | | |
| 1-1 | LF1966001 | 1 | PRINTED PANEL COVER, FAX-T92 FOR SPA | | |
| 1-1 | LF1999001 | 1 | PRINTED PANEL COVER, FAX-T94 FOR SPA | | |
| 1-1 | LF3058001 | 1 | PRINTED PANEL COVER, FAX-T96 FOR SPA | | |
| 1-1 | LF3021001 | 1 | PRINTED PANEL COVER, FAX-T94 FOR ITA | | |
| 1-1 | LF3065001 | 1 | PRINTED PANEL COVER, FAX-T96 FOR ITA | | |
| 1-1 | LF3159001 | 1 | PRINTED PANEL COVER, FAX-T94 FOR POR | | |
| 1-1 | LF3219001 | 1 | PRINTED PANEL COVER, FAX-T96 FOR POR | | |
| 1-1 | LF3170001 | 1 | PRINTED PANEL COVER, FAX-T94 FOR SWE | | |
| 1-1 | LF3227001 | 1 | PRINTED PANEL COVER, FAX-T96 FOR SWE | | |
| 1-1 | LF3543001 | 1 | PRINTED PANEL COVER, FAX-T94 FOR CZE/HUM | | add |
| 1-1 | LF3548001 | 1 | PRINTED PANEL COVER, FAX-T96 FOR CZE/HUM | | add |
| 1-1 | LF3559001 | 1 | PRINTED PANEL COVER, FAX-T94 FOR POL | | add |
| 1-1 | LF3569001 | 1 | PRINTED PANEL COVER, FAX-T96 FOR POL | | add |
| 1-1 | LF3353001 | 1 | PRINTED PANEL COVER FOR FAX727 | | |
| 1-1 | LF3371001 | 1 | PRINTED PANEL COVER FOR FAX737MC | | |
| 1-2 | LE4073009 | 1 | KEY, TEN, WHITE(1517) | | |
| 1-3 | LE3295005 | 1 | KEY, HOOK BLUE(6393) | | |
| 1-4 | LE3295006 | 9 | KEY, FUNCTION, WHITE(1517) | | |
| 1-5 | LE6170004 | 1 | KEY, COPY, GREEN(5248) | | |
| 1-6 | LE6170005 | 1 | KEY, FAX START, BLUE(6408) | | |
| 1-7 | LE6171011 | 1 | KEY, STOP/EXIT, PINK(2268) | | |
| 1-8 | LE6350002 | 1 | KEY, MENU/SET, WHITE(1517) FOR GER/AUS | | |
| 1-8 | LE6079002 | 1 | KEY, MENU/SET, WHITE(1517) EXCEPT FOR GER/AUS | | |
| 1-9 | LE6168004 | 2 | KEY, CURSOR L, BLUE(6393) | | |
| 1-10 | LE6169004 | 2 | KEY, CURSOR S, BLUE(6393) | | |
| 1-11 | LE4549004 | 2 | KEY, REGISTER FOR FAX-T96/737MC | | |

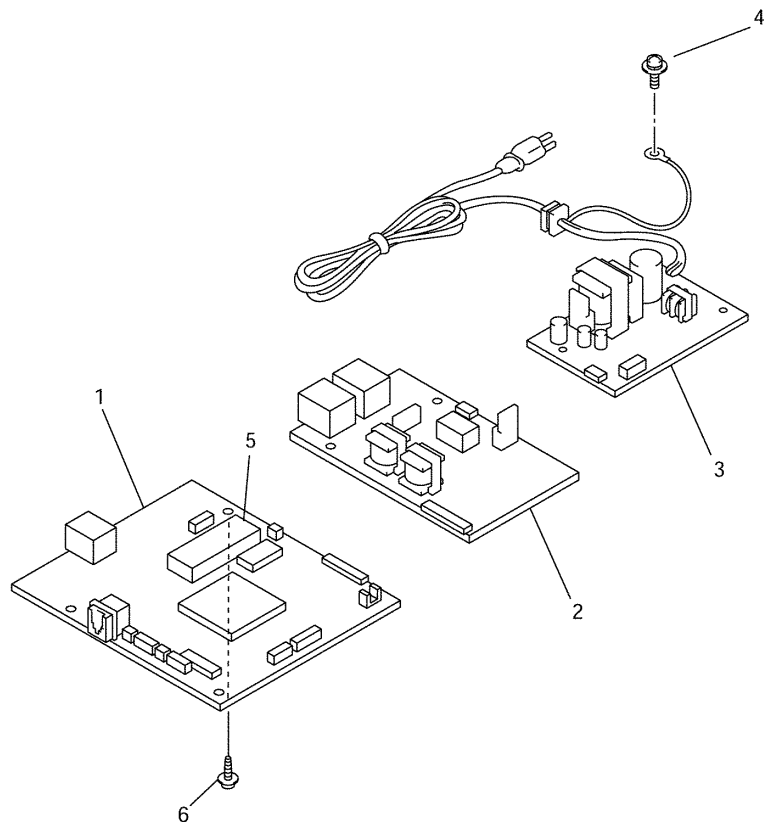
LIST5(CONTROL PANEL)

| REF No | CODE | Q'TY | DESCRIPTION | RECOMMEND | REMARKS |
|--------|----------------------|------|---|-----------|---------|
| 1-12 | LE4579001 | 1 | KEY, FLASH FOR FAX-T96/737MC | | |
| 1-13 | LF1457001 | 1 | SUPPORTER N, FLASH KEY FOR FAX-T96/737MC | | |
| 1-14 | LG4596001 | 1 | CONTROL PANEL PCB ASSY FOR FAX-T92/T94/727 | | |
| 1-14 | LG4609001 | 1 | CONTROL PANEL PCB ASSY FOR FAX-T96/737MC | | |
| 1-15 | LG5341001 | 1 | LCD | | CHG |
| 1-16 | LG4600001 | 1 | FPC KEY, | | |
| 1-17 | 087310815 | 1 | TAPTITE, CUP B M3X8 | | |
| 1-18 | LG2569001 | 1 | PANEL MAIN HARNESS FOR FAX-T92/T94/727 | | |
| 1-18 | LG2580001 | 1 | PANEL MAIN HARNESS FOR FAX-T96/737MC | | |
| 1-19 | UF6916001 | 1 | MIC COVER FOR FAX-T96/737MC | | |
| 1-20 | UF9993001 | 1 | MIC RUBBER FOR FAX-T96/737MC | | |
| 1-21 | LF1593001 | 1 | PANEL REAR COVER | | |
| 1-22 | LE4082001 | 1 | ADF SEPARATION RUBBER | | |
| 1-23 | LE4190001 | 1 | SEPARATION RUBBER FILM | | |
| 1-24 | LF3494001 | 1 | ADF HOLDER | | chg |
| 1-25 | LE4084001 | 1 | ADF SPRING PLATE | | |
| 1-26 | LE4085001 | 1 | ADF SPRING | | |
| 1-27 | UF6116001 | 1 | TAPTITE, PAN B M3X6 | | |
| 1-28 | 087310815 | 4 | TAPTITE, CUP B M3X8 | | |
| 1-29 | LE4090004 | 1 | DOCUMENT GUIDE B-L, WHITE(1517) | | |
| 1-30 | LE4091004 | 1 | DOCUMENT GUIDE B-R, WHITE(1517) | | |
| 1-31 | UF4417000 | 1 | GUIDE GEAR | | |
| 1-32 | UF4418001 | 1 | SPRING, COMPRESSION | | |
| 1-33 | UF6116001 | 1 | TAPTITE, PAN B M3X6 | | |
| 1-34 | UU0243001 | 1 | ANTI-STATIC BRUSH | | |
| 2 | LE4092001 | 1 | ACF SEPARATION RUBBER | | |
| 3 | LE4093001 | 1 | ACF PLATE | | |
| 4 | LE4094001 | 1 | ACF HOLDER | | |
| 5 | LE4187001 | 1 | ACF LEAF SPRING | | |
| 6 | LE4096001 | 1 | ACF SPRING | | |
| 7 | 085310815 | 4 | TAPTITE, BIND B M3X8 | | |
| 8 | LF1733001 | 1 | CHUTE COVER, WHITE(1485) | | |
| 9 | LE4102001 | 1 | PLATEN | | |
| 10 | LE4104001 | 1 | PLATEN SHAFT BUSHING L | | |
| 11 | LE4105001 | 1 | PLATEN SHAFT BUSHING R, (WHITE) | | |
| 12 | LE4111001 | 1 | GEAR, 24 | | |
| 13 | LE4047001 | 1 | GEAR, 23 | | |
| 14 | LE4106001 | 1 | PAPER FEED ROLLER 32 | | |
| 15 | LE4108001 | 1 | PAPER FEED ROLLER GEAR 37 | | |
| 16 | UF6613001 | 1 | SEPARATION ROLLER | | |
| 17 | LE4109001 | 1 | SEPARATION ROLLER GEAR 46 | | |
| 18 | LE4147001 | 2 | PAPER PRESSURE ROLLER | | |
| 19 | LE4110001 | 1 | PRESSURE ROLLER SHAFT | | |
| 20 | UF9781001 | 2 | PRESSURE ROLLER SPRING | | |
| 21 | LE4012001 | 2 | GEAR, 32 | | |
| 22 | LE4099001 | 1 | REGISTRATION SENSOR ACTUATOR | | |
| 23 | LE4113001 | 1 | LOCK BAR | | |
| 24 | LE4114001 | 1 | LOCK LEVER L | | |
| 25 | LE4115002 | 1 | LOCK LEVER R, PURPLE(6255) | | |
| 26 | LE4373001 | 1 | LOCK SPRING | | |
| 27 | LF1731001 | 1 | CHUTE FILM S | | |
| 28 | LE4203001 | 1 | ADF FILM | | |
| 29 | 087310815 | 4 | TAPTITE, CUP B M3X8 | | |
| 30 | LE4087001 | 1 | DOCUMENT PRESSURE BAR | | |
| 31 | LE4088001 | 1 | WHITE FILM | | |
| 32 | UF9781001 | 3 | SPRING, COMPRESSION | | |
| 33 | LF1948001 | 1 | LCD SHEET, FAX-T92 FOR GER/AUS | √ | |
| 33 | LF1976001 | 1 | LCD SHEET, FAX-T94 FOR GER/AUS | √ | |
| 33 | LF3035001 | 1 | LCD SHEET, FAX-T96 FOR GER/AUS | √ | |
| 33 | LF1986001 | 1 | LCD SHEET, FAX-T94 FOR UK/NOR/BEL/CHE/IRE/ITA/ZAF/POL/GNR | √ | chg |
| 33 | LF3046001 | 1 | LCD SHEET, FAX-T96 FOR UK/BEL/CHE/IRE/ZAF/GNR | √ | |
| 33 | LF1958001 | 1 | LCD SHEET, FAX-T92 FOR FRA | √ | |
| 33 | LF1994001 | 1 | LCD SHEET, FAX-T94 FOR FRA | √ | |
| 33 | LF3071001 | 1 | LCD SHEET, FAX-T96 FOR FRA | √ | |
| 33 | LF3113001 | 4 | LCD SHEET, FAX-T94 FOR NOR | √ | del |
| 33 | LF3185001 | 1 | LCD SHEET, FAX-T96 FOR NOR | √ | |
| 33 | LF3129001 | 1 | LCD SHEET, FAX-T94 FOR NLD | √ | |
| 33 | LF3197001 | 1 | LCD SHEET, FAX-T96 FOR NLD | √ | |
| 33 | LF3101001 | 1 | LCD SHEET, FAX-T92 FOR CHE | √ | |
| 33 | LF3141001 | 1 | LCD SHEET, FAX-T94 FOR FIN | √ | |
| 33 | LF3205001 | 1 | LCD SHEET, FAX-T96 FOR FIN | √ | |
| 33 | LF3150001 | 1 | LCD SHEET, FAX-T94 FOR DEN | √ | |
| 33 | LF3212001 | 1 | LCD SHEET, FAX-T96 FOR DEN | √ | |
| 33 | LF1967001 | 1 | LCD SHEET, FAX-T92 FOR SPA | √ | |
| 33 | LF3001001 | 1 | LCD SHEET, FAX-T94 FOR SPA | √ | |
| 33 | LF3059001 | 1 | LCD SHEET, FAX-T96 FOR SPA | √ | |
| 33 | LF3066001 | 1 | LCD SHEET, FAX-T96 FOR ITA | √ | |
| 33 | LF3160001 | 1 | LCD SHEET, FAX-T94 FOR POR | √ | |

LIST5(CONTROL PANEL)

| REF No. | CODE | Q'TY | DESCRIPTION | RECOMMEND | REMARKS |
|---------|----------------------|------|---------------------------------------|-----------|---------|
| 33 | LF3220001 | 1 | LCD SHEET, FAX-T96 FOR POR | √ | |
| 33 | LF3171001 | 1 | LCD SHEET, FAX-T94 FOR SWE | √ | |
| 33 | LF3228001 | 1 | LCD SHEET, FAX-T96 FOR SWE | √ | |
| 33 | LF3573001 | 1 | LCD SHEET, FAX-T94 FOR CZE/HUN | √ | add |
| 33 | LF3574001 | 1 | LCD SHEET, FAX-T96 FOR CZE/HUN | √ | add |
| 33 | LF3564004 | 4 | LCD SHEET, FAX-T94 FOR POL | √ | del |
| 33 | LF3570001 | 1 | LCD SHEET, FAX-T96 FOR POL | √ | add |
| 33 | LF3381001 | 1 | LCD SHEET FOR FAX727 | √ | |
| 33 | LF3382001 | 1 | LCD SHEET FOR FAX737MC | √ | |

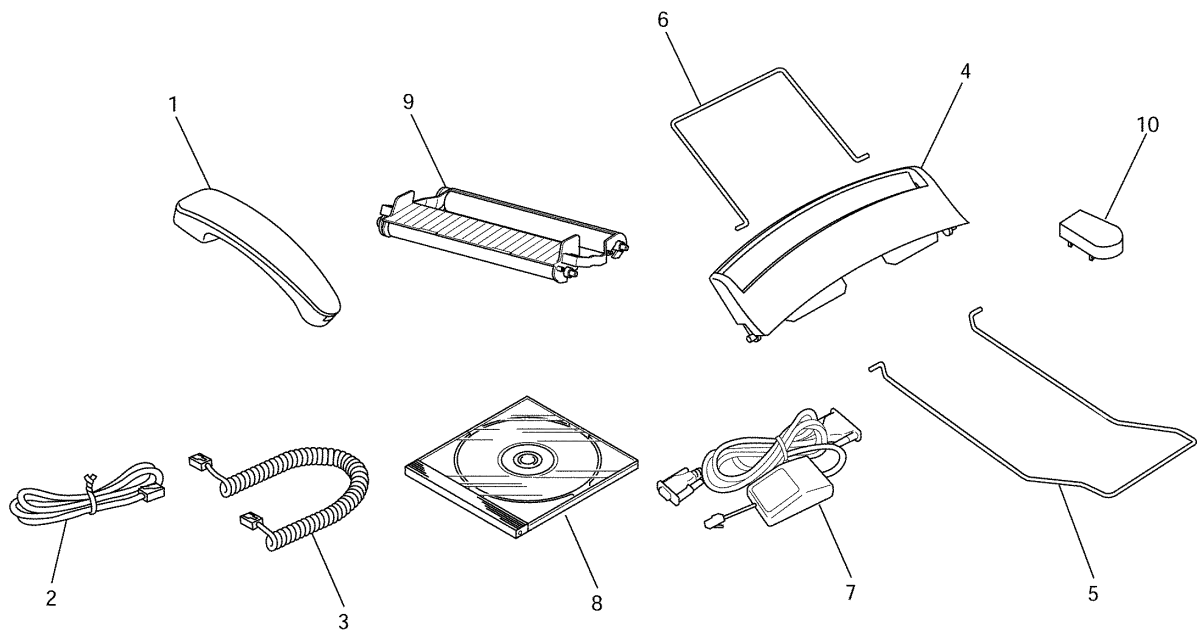
6.PCB



LIST6(PCB)

| REF No. | CODE | Q'TY | DESCRIPTION | RECOMMEND | SYMBOL | REMARKS |
|---------|-----------|------|--|-----------|---------|---------|
| 1 | LG5264071 | 1 | MAIN PCB ASSY, FAX-T92/T94 EXCEPT FOR POL/SAF | √ | B53K693 | chg |
| 1 | LG5264075 | 1 | MAIN PCB ASSY, FAX-T94 FOR SAF | √ | B53K693 | add |
| 1 | LG5259085 | 1 | MAIN PCB ASSY, FAX-T96 EXCEPT FOR POL | √ | B53K694 | chg |
| 1 | LG5263072 | 1 | MAIN PCB ASSY, FAX727, FAX-T94 FOR POL | √ | B53K693 | chg |
| 1 | LG5258082 | 1 | MAIN PCB ASSY, FAX737MC, FAX-T96 FOR POL | √ | B53K694 | chg |
| 2 | LG4757003 | 1 | NCU PCB ASSY, FOR GER/AUS | √ | B53K700 | |
| 2 | LG4757004 | 1 | NCU PCB ASSY, FOR UK/IRE | √ | B53K700 | |
| 2 | LG4757005 | 1 | NCU PCB ASSY, FOR FRA | √ | B53K700 | |
| 2 | LG4757013 | 1 | NCU PCB ASSY, FOR NOR/FIN/DEN/SWE | √ | B53K700 | |
| 2 | LG4757015 | 1 | NCU PCB ASSY, FOR BEL/SPA/ITA/POR/ZAF/GNR | √ | B53K700 | |
| 2 | LG4757050 | 1 | NCU PCB ASSY, FOR NLD | √ | B53K700 | |
| 2 | LG4757010 | 1 | NCU PCB ASSY, FOR CHE | √ | B53K700 | |
| 2 | LG4754040 | 1 | NCU PCB ASSY, FOR RUS/POL | √ | B53K700 | |
| 3 | LG6006001 | 1 | POWER SUPPLY PCB ASSY, FOR GER/FRA/NOR /BEL/NLD/FIN/AUS/SPA/ITA/POR/SWE/CZE/HUN/POL/GNR | √ | | CHG |
| 3 | LG6146001 | 1 | POWER SUPPLY PCB ASSY, FOR UK/IRE | √ | | CHG |
| 3 | LG6148001 | 1 | POWER SUPPLY PCB ASSY, FOR CHE | √ | | CHG |
| 3 | LG6145001 | 1 | POWER SUPPLY PCB ASSY, FOR DEN | √ | | CHG |
| 3 | LG6150001 | 1 | POWER SUPPLY PCB ASSY, FOR ZAF | √ | | CHG |
| 3 | LG4970001 | 1 | POWER SUPPLY PCB ASSY, FOR RUS | √ | | |
| 4 | LF1884001 | 1 | SCREW, PAN (WASHER) M4X7DB | | | chg |
| 5 | LG0510003 | 1 | OTPROM, FAX-T92 FOR GER/AUS | | | |
| 5 | LG0516003 | 1 | OTPROM, FAX-T94 FOR GER/AUS | | | |
| 5 | LG0526003 | 1 | OTPROM, FAX-T96 FOR GER/AUS | | | |
| 5 | LG0518004 | 1 | OTPROM, FAX-T94 FOR UK/ZAF/GNR | | | |
| 5 | LG0528004 | 1 | OTPROM, FAX-T96 FOR UK/ZAF/GNR | | | |
| 5 | LG0512005 | 1 | OTPROM, FAX-T92 FOR FRA | | | |
| 5 | LG0520005 | 1 | OTPROM, FAX-T94 FOR FRA | | | |
| 5 | LG0530005 | 1 | OTPROM, FAX-T96 FOR FRA | | | |
| 5 | LG0542007 | 1 | OTPROM, FAX-T94 FOR NOR/BEL/CHE | | | |
| 5 | LG0553007 | 1 | OTPROM, FAX-T96 FOR NOR/BEL/CHE | | | |
| 5 | LG0544009 | 1 | OTPROM, FAX-T94 FOR NLD | | | |
| 5 | LG0555009 | 1 | OTPROM, FAX-T96 FOR NLD | | | |
| 5 | LG0540010 | 1 | OTPROM, FAX-T92 FOR CHE | | | |
| 5 | LG0524016 | 1 | OTPROM, FAX-T94 FOR IRE/ITA | | | |
| 5 | LG0557011 | 1 | OTPROM, FAX-T96 FOR IRE | | | |
| 5 | LG0546012 | 1 | OTPROM, FAX-T94 FOR FIN/SWE | | | |
| 5 | LG0559012 | 1 | OTPROM, FAX-T96 FOR FIN/SWE | | | |
| 5 | LG0548013 | 1 | OTPROM, FAX-T94 FOR DEN | | | |
| 5 | LG0561013 | 1 | OTPROM, FAX-T96 FOR DEN | | | |
| 5 | LG0514015 | 1 | OTPROM, FAX-T92 FOR SPA | | | |
| 5 | LG0522015 | 1 | OTPROM, FAX-T94 FOR SPA/POR | | | |
| 5 | LG0532015 | 1 | OTPROM, FAX-T96 FOR SPA | | | |
| 5 | LG0524016 | 1 | OTPROM, FAX-T94 FOR ITA | | | |
| 5 | LG0534016 | 1 | OTPROM, FAX-T96 FOR ITA | | | |
| 5 | LG0563018 | 1 | OTPROM, FAX-T96 FOR POR | | | |
| 5 | LG0620037 | 1 | OTPROM, FAX-T94 FOR CZE/HUN | | | add |
| 5 | LG0622037 | 1 | OTPROM, FAX-T96 FOR CZE/HUN | | | add |
| 5 | LG0624039 | 1 | OTPROM, FAX-T94 FOR POL | | | add |
| 5 | LG0626039 | 1 | OTPROM, FAX-T96 FOR POL | | | add |
| 5 | LG0582048 | 1 | OTPROM, FAX727 | | | |
| 5 | LG0584048 | 1 | OTPROM, FAX737MC | | | |
| 6 | 087310815 | 1 | TAPTITE, CUP B M3X8 | | | |
| (7) | ---- | | NOT USED | | | |

7.ACCESSORIES



LIST7(Accessories)

| REF No | CODE | Q'TY | DESCRIPTION | RECOMMEND | REMARKS |
|--------|----------------------|------|---|-----------|---------|
| 1 | LE5499009 | 1 | HANDSET ASSY, FAX-T94/T96 | | |
| 1 | LE5803009 | 1 | HANDSET ASSY, FAX727/737MC | | |
| 2 | UG3625001 | 1 | TELEPHONE LINE CORD, FOR GER | | |
| 2 | UG3626001 | 1 | TELEPHONE LINE CORD, FOR UK | | |
| 2 | UG3627001 | 1 | TELEPHONE LINE CORD, FOR FRA | | |
| 2 | UG3629001 | 1 | TELEPHONE LINE CORD, FOR NOR | | |
| 2 | UG1575001 | 1 | TELEPHONE LINE CORD, FOR BEL | | |
| 2 | LG3077001 | 1 | TELEPHONE LINE CORD, FOR | | |
| 2 | UG3469000 | 1 | TELEPHONE LINE CORD, FOR CHE | | |
| 2 | LG5827001 | 1 | TELEPHONE LINE CORD, FOR FIN/DEN/SWE | | CHG |
| 2 | UG3633004 | 4 | TELEPHONE LINE CORD, FOR DEN | | DEL |
| 2 | UG4205001 | 1 | TELEPHONE LINE CORD, FOR AUS | | |
| 2 | UG3634001 | 1 | TELEPHONE LINE CORD, FOR ITA | | |
| 2 | UG3635004 | 4 | TELEPHONE LINE CORD, FOR SWE | | DEL |
| 3 | LG3768009 | 1 | HANDSET CURLED CORD ASSY, FAX-T94/T96/727 | | |
| 4 | LE4233005 | 1 | PAPER TRAY ASSY | | |
| 5 | ---- | | NOT USED | | |
| 6 | UF9869001 | 1 | PAPER SUPPORT WIRE | | |
| 7 | ---- | | NOT USED | | |
| 8 | ---- | | NOT USED | | |
| 9 | LE4537001 | 1 | STARTING PRINTING CARTRIDGE | | chg |
| (9-1) | LE4464001 | 1 | PRINTING CARTRIDGE FRAME | | |
| (9-2) | LE4143001 | 1 | REFILL ROLL (10M) | | |
| 10 | LG3622001 | | TELEPHONE PLUG FOR NLD | | |
| 10 | LG5829001 | | TELEPHONE PLUG FOR FIN | | ADD |
| 10 | LG5828001 | | TELEPHONE PLUG FOR DEN | | ADD |
| 10 | LG5830001 | | TELEPHONE PLUG FOR SWE | | ADD |
| (11) | ---- | | NOT USED | | |
| (12) | ---- | | NOT USED | | |

LIST8(PRINTED MATERIAL)

| REF No. | CODE | Q'TY | DESCRIPTION | RECOMMEND | REMARKS |
|---------|-----------|------|--|-----------|---------|
| (1) | LF1949003 | 1 | OWNER'S MANUAL ASSY, FAX-T92 FOR GER (INCLUDING OWNER'S MANUAL(REF No.(1-1)), WARRANTY CARD, ADDRESS LABEL (REF No.(1-2))) | √ | |
| (1) | LF1977003 | 1 | OWNER'S MANUAL ASSY, FAX-T94 FOR GER (INCLUDING OWNER'S MANUAL(REF No.(1-1)), WARRANTY CARD, ADDRESS LABEL (REF No.(1-2))) | √ | |
| (1) | LF3036003 | 1 | OWNER'S MANUAL ASSY, FAX-T96 FOR GER (INCLUDING OWNER'S MANUAL(REF No.(1-1)), WARRANTY CARD, ADDRESS LABEL (REF No.(1-2))) | √ | |
| (1) | LF1987004 | 1 | OWNER'S MANUAL ASSY, FOR UK (INCLUDING OWNER'S MANUALS(REF No.(1-1)), 3 WARRANTY CARDS, ADDRESS LABEL (REF No.(1-2)), | √ | |
| (1) | LF1959005 | 1 | OWNER'S MANUAL ASSY, FOR FRA (INCLUDING OWNER'S MANUAL(REF No.(1-1)), 2 WARRANTY CARDS, ADDRESS LABEL (REF No.(1-2))) | √ | |
| (1) | LF3114007 | 1 | OWNER'S MANUAL ASSY, FOR NOR (INCLUDING OWNER'S MANUAL(REF No.(1-1)), WARRANTY CARD, ADDRESS LABEL (REF No.(1-2))) | √ | |
| (1) | LF3121008 | 1 | OWNER'S MANUAL ASSY, FOR BEL (INCLUDING 2 OWNER'S MANUALS(REF No.(1-1)), WARRANTY CARD, ADDRESS LABEL (REF No.(1-2))) | √ | |
| (1) | LF3130009 | 1 | OWNER'S MANUAL ASSY, FOR NLD (INCLUDING OWNER'S MANUAL(REF No.(1-1)), WARRANTY CARD, ADDRESS LABEL (REF No.(1-2))) | √ | |
| (1) | LF3102010 | 1 | OWNER'S MANUAL ASSY, FAX-T92/T94 FOR CHE (INCLUDING 2 OWNER'S MANUALS(REF No.(1-1)), WARRANTY CARD, ADDRESS LABEL (REF No.(1-2))) | √ | |
| (1) | LF3587010 | 1 | OWNER'S MANUAL ASSY, FAX-T96 FOR CHE (INCLUDING 2 OWNER'S MANUALS(REF No.(1-1)), WARRANTY CARD, ADDRESS LABEL (REF No.(1-2))) | √ | add |
| (1) | LF3134011 | 1 | OWNER'S MANUAL ASSY, FOR IRE (INCLUDING OWNER'S MANUAL(REF No.(1-1)), WARRANTY CARD, ADDRESS LABEL (REF No.(1-2))) | √ | |
| (1) | LF3142012 | 1 | OWNER'S MANUAL ASSY, FOR FIN (INCLUDING OWNER'S MANUAL(REF No.(1-1)), WARRANTY CARD, ADDRESS LABEL (REF No.(1-2))) | √ | |
| (1) | LF3151013 | 1 | OWNER'S MANUAL ASSY, FOR DEN (INCLUDING OWNER'S MANUAL(REF No.(1-1)), WARRANTY CARD, ADDRESS LABEL (REF No.(1-2)), PLUG INSTALLATION | √ | |
| (1) | LF3392014 | 1 | OWNER'S MANUAL ASSY, FAX-T92 FOR AUS (INCLUDING OWNER'S MANUAL(REF No.(1-1)), WARRANTY CARD, ADDRESS LABEL (REF No.(1-2))) | √ | |
| (1) | LF3393014 | 1 | OWNER'S MANUAL ASSY, FAX-T94 FOR AUS (INCLUDING OWNER'S MANUAL(REF No.(1-1)), WARRANTY CARD, ADDRESS LABEL (REF No.(1-2))) | √ | |
| (1) | LF3394014 | 1 | OWNER'S MANUAL ASSY, FAX-T96 FOR AUS (INCLUDING OWNER'S MANUAL(REF No.(1-1)), WARRANTY CARD, ADDRESS LABEL (REF No.(1-2))) | √ | |
| (1) | LF1968015 | 1 | OWNER'S MANUAL ASSY, FOR SPA (INCLUDING OWNER'S MANUALS(REF No.(1-1)), 2 WARRANTY CARDS, ADDRESS LABEL (REF No.(1-2))) | √ | |
| (1) | LF3025016 | 1 | OWNER'S MANUAL ASSY, FOR ITA (INCLUDING OWNER'S MANUALS(REF No.(1-1)), WARRANTY CARD, ADDRESS LABEL (REF No.(1-2)), | √ | |
| (1) | LF3161018 | 1 | OWNER'S MANUAL ASSY, FOR POR (INCLUDING OWNER'S MANUALS(REF No.(1-1)), WARRANTY CARD, ADDRESS LABEL (REF No.(1-2)), | √ | |
| (1) | LF3164024 | 1 | OWNER'S MANUAL ASSY, FOR ZAF/CZE/HUN/GNR (INCLUDING OWNER'S MANUALS(REF No.(1-1)), ADDRESS LABEL (REF No.(1-2)), | √ | |
| (1) | LF3172026 | 1 | OWNER'S MANUAL ASSY, FOR SWE (INCLUDING OWNER'S MANUALS(REF No.(1-1)), 2 WARRANTY CARDS, ADDRESS LABEL (REF No.(1-2)), | √ | |
| (1) | LF3354048 | 1 | OWNER'S MANUAL ASSY, FOR RUS (INCLUDING OWNER'S MANUALS(REF No.(1-1)), ADDRESS LABEL (REF No.(1-2)), | √ | |
| (1) | LF3562039 | 1 | OWNER'S MANUAL ASSY, FOR POL (INCLUDING OWNER'S MANUALS(REF No.(1-1)), WARRANTY CARD, ADDRESS LABEL (REF No.(1-2)), | √ | ADD |

LIST8(PRINTED MATERIAL)

| REF No | CODE | Q'TY | DESCRIPTION | RECOMMEND | REMARKS |
|--------|-----------|------|--|-----------|---------|
| (1-1) | LF1950003 | 1 | OWNER'S MANUAL, FAX-T92 FOR GER/AUS | | |
| (1-1) | LF1978003 | 1 | OWNER'S MANUAL, FAX-T94 FOR GER/AUS | | |
| (1-1) | LF3037003 | 1 | OWNER'S MANUAL, FAX-T96 FOR GER/AUS | | |
| (1-1) | LF1960004 | 1 | OWNER'S MANUAL, FOR UK/IRE/ZAF/CZE/HUN/GNR | | |
| (1-1) | LF1960005 | 1 | OWNER'S MANUAL, FOR FRA | | |
| (1-1) | LF1960007 | 1 | OWNER'S MANUAL, FOR NOR | | |
| (1-1) | LF1960008 | 1 | OWNER'S MANUAL, FOR BEL <DUTCH> | | |
| (1-1) | LF3103008 | 1 | OWNER'S MANUAL, FOR BEL/CHE <FRENCH> | | |
| (1-1) | LF1960009 | 1 | OWNER'S MANUAL, FOR NLD | | |
| (1-1) | LF1960010 | 1 | OWNER'S MANUAL, FAX-T92/T94 FOR CHE <GERMAN> | | |
| (1-1) | LF3588010 | 1 | OWNER'S MANUAL, FAX-T96 FOR CHE <GERMAN> | | add |
| (1-1) | LF1960012 | 1 | OWNER'S MANUAL, FOR FIN | | |
| (1-1) | LF1960013 | 1 | OWNER'S MANUAL, FOR DEN | | |
| (1-1) | LF1960015 | 1 | OWNER'S MANUAL, FOR SPA | | |
| (1-1) | LF1960016 | 1 | OWNER'S MANUAL, FOR ITA | | |
| (1-1) | LF1960018 | 1 | OWNER'S MANUAL, FOR POR | | |
| (1-1) | LF1960026 | 1 | OWNER'S MANUAL, FOR SWE | | |
| (1-1) | LF3355048 | 1 | OWNER'S MANUAL, FOR RUS | | |
| (1-1) | LF1960039 | 1 | OWNER'S MANUAL, FOR POL | | ADD |
| (1-2) | LF1622001 | 1 | ADDRESS LABEL | | |

LIST9(PACKING)

| REF No | CODE | QTY | DESCRIPTION | RECOMMEND | REMARKS |
|--------|-----------|-----|---|-----------|---------|
| (1) | LF1951001 | 1 | CARTON, BROTHER, FAX-T92 | √ | |
| (1) | LF1979001 | 1 | CARTON, BROTHER, FAX-T94 | √ | |
| (1) | LF3038001 | 1 | CARTON, BROTHER, FAX-T96 | √ | |
| (1) | LF1594001 | 1 | CARTON, BROTHER, FAX727 | √ | |
| (1) | LF1621001 | 1 | CARTON, BROTHER, FAX737MC | √ | |
| (2) | LE4137001 | 1 | POLYSTYRENE FOAM ASSY | | |
| (3) | LE5795001 | 1 | BAG, 570X650H P | | CHG |
| (4) | LF1001001 | 1 | PROTECTION SHEET EXCEPT FOR UK/RUS | | |
| (4) | LF1002001 | 1 | PROTECTION SHEET FOR UK/RUS | | |
| (5) | UF8263001 | 1 | TEST CHART TC-027 | | |
| (6) | LE4219001 | 2 | PANEL CUSHION | | |
| (7) | LF1952001 | 1 | QUICK SETUP GUIDE, FAX-T92 FOR GER/AUS | | |
| (7) | LF1980001 | 1 | QUICK SETUP GUIDE, FAX-T94 FOR GER/AUS | | |
| (7) | LF3040001 | 1 | QUICK SETUP GUIDE, FAX-T96 FOR GER/AUS | | |
| (7) | LF1988001 | 1 | QUICK SETUP GUIDE, FOR UK/IRE/ZAF/GNR | | |
| (7) | LF1961001 | 1 | QUICK SETUP GUIDE, FOR FRA | | |
| (7) | LF3116001 | 1 | QUICK SETUP GUIDE, FOR NOR | | |
| (7) | LF3123001 | 1 | QUICK SETUP GUIDE, FOR BEL <DUTCH> | | |
| (7) | LF3106001 | 1 | QUICK SETUP GUIDE, FOR BEL/CHE <FRENCH> | | |
| (7) | LF3132001 | 1 | QUICK SETUP GUIDE, FOR NLD | | |
| (7) | LF3105001 | 1 | QUICK SETUP GUIDE, FAX-T92/T94 FOR CHE <GERMAN> | | |
| (7) | LF3589001 | 1 | QUICK SETUP GUIDE, FAX-T96 FOR CHE <GERMAN> | | add |
| (7) | LF3144001 | 1 | QUICK SETUP GUIDE, FOR FIN | | |
| (7) | LF3153001 | 1 | QUICK SETUP GUIDE, FOR DEN | | |
| (7) | LF1969001 | 1 | QUICK SETUP GUIDE, FOR SPA | | |
| (7) | LF3028001 | 1 | QUICK SETUP GUIDE, FOR ITA | | |
| (7) | LF3163001 | 1 | QUICK SETUP GUIDE, FOR POR | | |
| (7) | LF3174001 | 1 | QUICK SETUP GUIDE, FOR SWE | | |
| (7) | LF3387001 | 1 | QUICK SETUP GUIDE, FOR RUS | | |
| (7) | LF3442001 | 1 | QUICK SETUP GUIDE, FOR CZE/HUN | | add |
| (7) | LF3386001 | 1 | QUICK SETUP GUIDE, FOR POL | | add |

brother®

PL-FAX061
8X4510
Ver. N-1