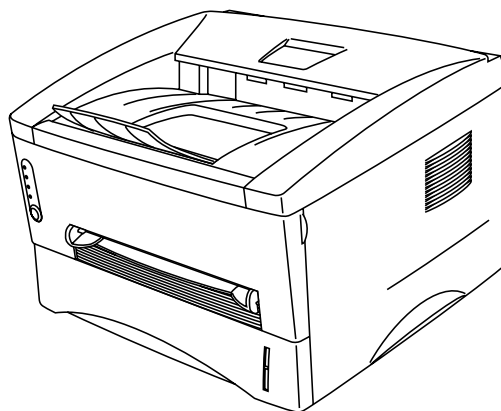




Brother Laser Printer **PARTS REFERENCE LIST**

MODEL:HL-1230/1440/1450/1470N



Read this list thoroughly before maintenance work.

Keep this list in a convenient place for quick and easy reference at all times.

NOTE FOR USING THIS PARTS REFERENCE LIST

1. In the case of ordering parts, it needs mentioning the following items:

- (1) Code
- (2) Q'ty
- (3) Description
- (4) Symbol (PCB No., Revision , and Parts location mounted on the PCB.)

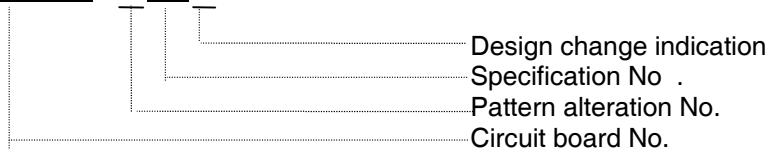
Note : No orders without Parts Code or Tool No. can be accepted.

< Example >

REF.NO.	CODE	Q'TY	DESCRIPTION	SYMBOL	REMARK

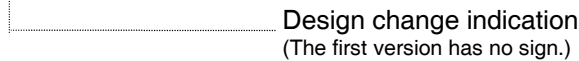
Revision No.: marked on the **main printed circuit board**.

B48K056 - 201A



Revision No.: marked on the **power supply printed circuit board**.

Rev. A



2. Design-changed parts :

If the parts are changed, any one of the following symbols is indicated in the REMARKS column.

- #A : Compatible between old and new
- #B : Replaceable from old to new
- #D : Incompatible
- # : Newly established

3. The original of this list was made based on the information available in May 2001.

4. Parts are subject to change in design without prior notice.

CONTENTS

1.	<u>FRAME / DRIVE UNIT</u>	1
2.	<u>LASER UNIT</u>	1
3.	<u>PAPER FEED</u>	3
4.	<u>FIXING UNIT</u>	5
5.	<u>PAPER CASSETTE</u>	7
6.	<u>COVERS/LABELS</u>	9
7.	<u>MAIN PCB</u>	11
8.	<u>ENGINE PCB</u>	13
9.	<u>LOW-VOLTAGE POWER SUPPLY PCB</u>	13
10.	<u>HIGH-VOLTAGE POWER SUPPLY PCB</u>	15
11.	<u>AC CORDS</u>	15
12.	<u>ACCESSORIES</u>	17
13.	<u>PACKING MATERIALS</u>	19
14.	<u>NETWORK BOARD</u>	19

1. FRAME / DRIVE UNIT

PR2002071

REF.NO.	CODE	Q'TY	DESCRIPTION	SYMBOL	REMARK
1	LE1744001	1	MAIN MOTOR ASSY/E		
2	087320616	4	TAPTITE, CUP S M3X6		
3	LJ5701001	1	SOLENOID ASSY/E		
4	000300415	1	SCREW, BIND M3X4		
5	LJ4432001	4	TAPE 32X12		
6	UL8984001	1	LINK		
7	LJ4745001	1	FAN MOTOR UNIT		
8	LJ5704001	1	TONER EMPTY LED PCB UNIT E (Light emission)	B512038-4	
9	UK4405001	1	PANEL PCB ASSY	B512048-3	
10	087320616	3	TAPTITE, CUP S M3X6		
11	UL8507001	4	RUBBER FOOT		
12	UL9104001	1	TONER EMPTY PCB UNIT (Light reception)	B512037-2	
13	087320616	1	TAPTITE, CUP S M3X6		
14	LJ8031001	1	LT RELAY PCB ASSY (HL-1450/1470N)	B512060-1	
15	087320616	1	TAPTITE, CUP S M3X6		
16	LE1169001	1	USB GROUND PLATE (HL-1440 Europe)		
17	LJ5703001	1	SOLENOID RELEASE SPRING/E		
18	LJ5591001	1	PLANET GEAR ASSY (SP)		
18	LJ5838001	1	PLANET GEAR ASSY B (SP)		
19	UL8985001	1	GEAR 59		
20	LJ5705001	1	GEAR 21 PRESSURE PLATE		
21	087320616	1	TAPTITE, CUP S M3X6		
22	UL8972001	1	P/R CLUTCH LEVER		
23	UL8971001	1	F/R CLUTCH LEVER		
24	UL8982001	1	DEVELOP JOINT		
25	UL8983001	1	JOINT SPRING		
26	LJ7157001	1	FRONT SHIELD FILM		
27	LJ7158001	1	REAR SHIELD FILM		
28	LJ7159001	1	CENTER SHIELD FILM		
29	LJ7160001	4	INSULATION SHEET S		DEL

MODEL HL-1230/1440/1450/1470N 84U-Z31/Z32/Z33/Z34-010

T/I NO. PR2002013 / PR2002035 / PR2002071

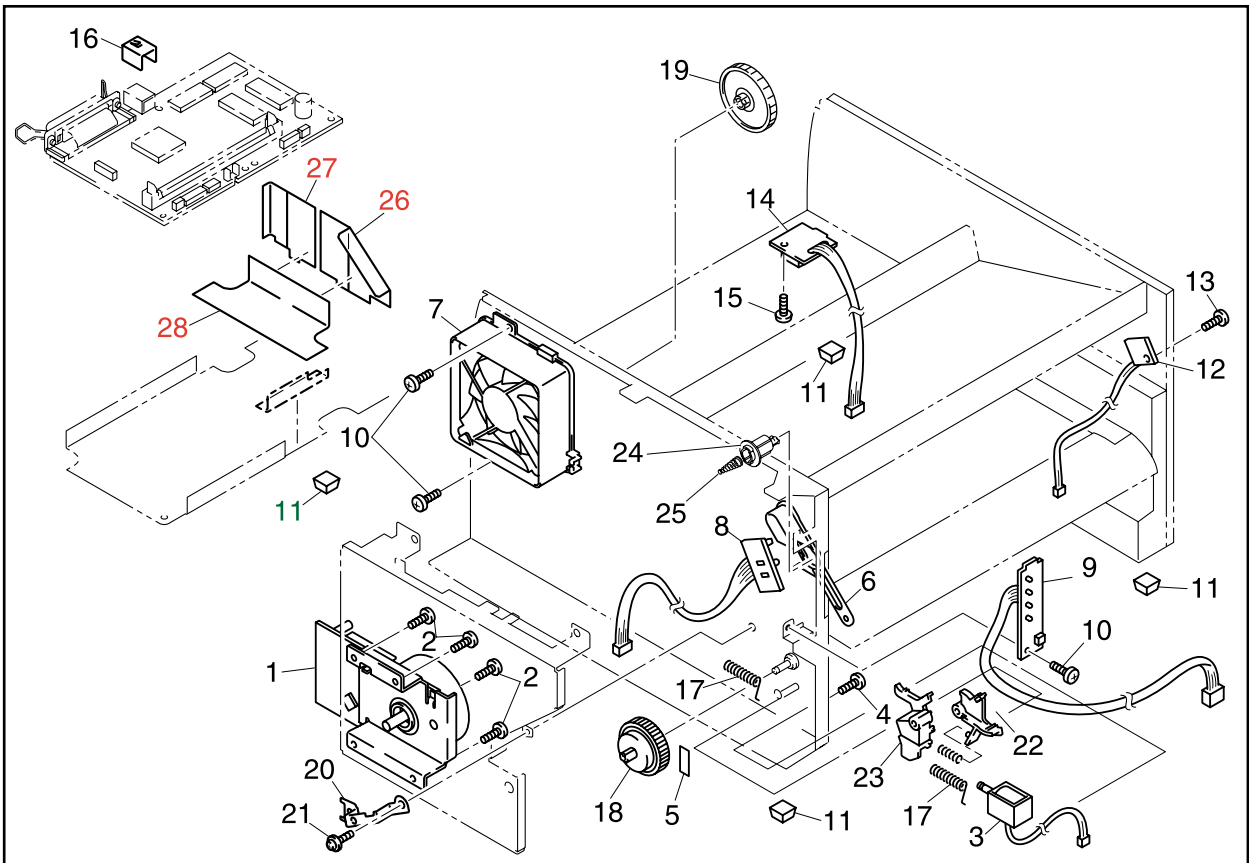
2. LASER UNIT

REF.NO.	CODE	Q'TY	DESCRIPTION	SYMBOL	REMARK
1	LJ5828001	1	LASER UNIT E (SP)		
2	087321615	3	TAPTITE, CUP S M3X16		

MODEL HL-1230/1440/1450/1470N 84U-Z31/Z32/Z33/Z34-020

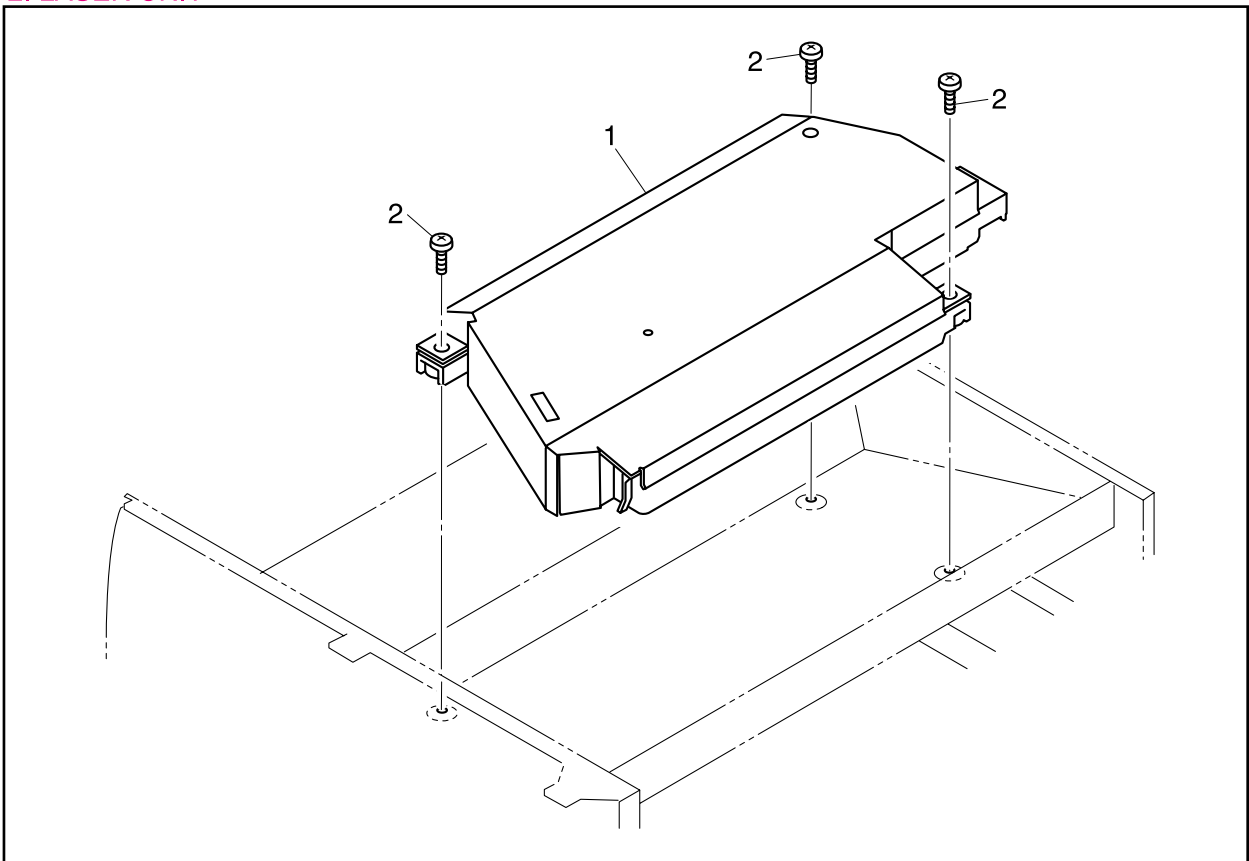
1. FRAME / DRIVE UNIT

PR2002035



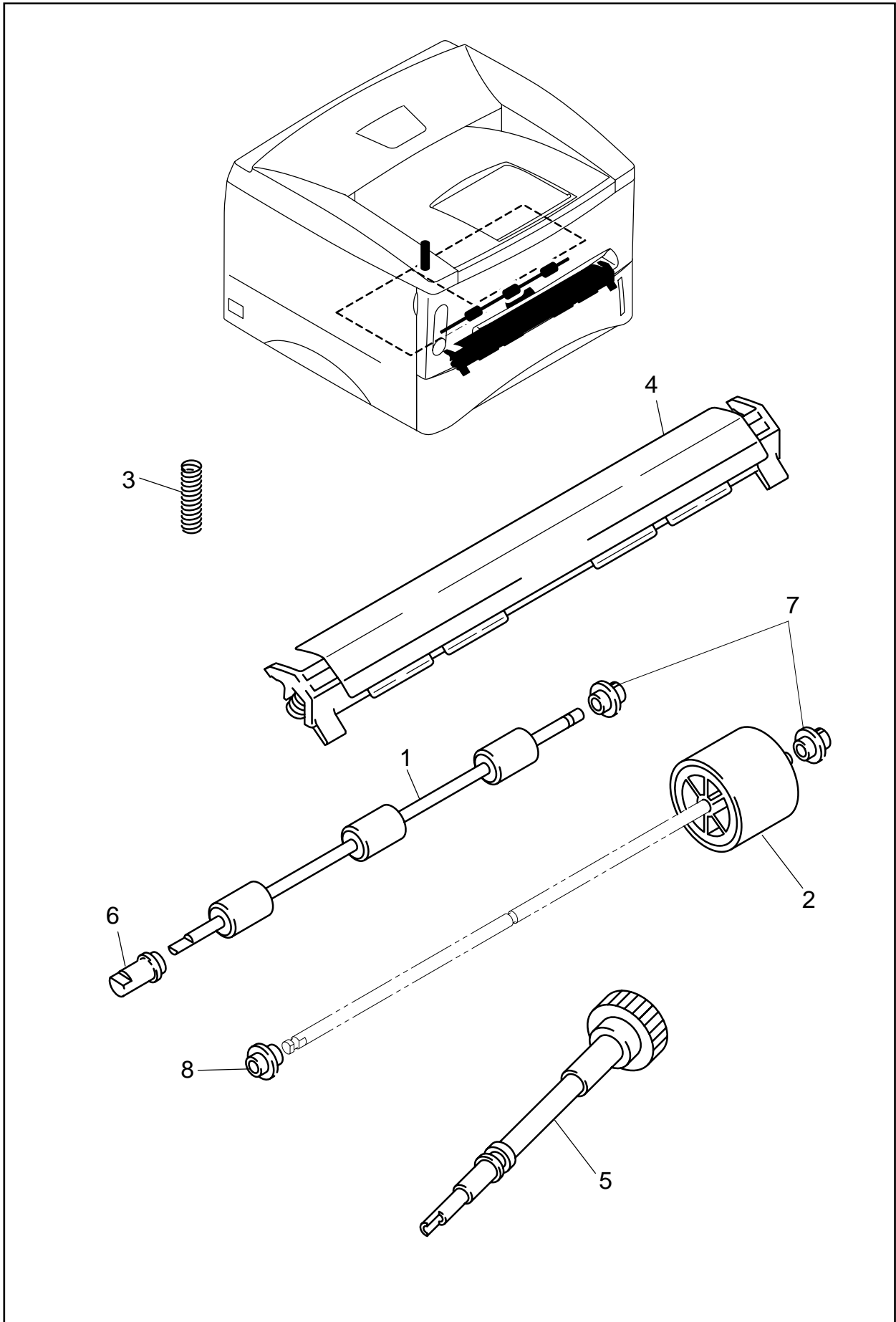
MODEL HL-1230/1440/1450/1470N 84U-Z31/Z32/Z33/Z34-010
T/INO. PR2001100/PR2002013/PR2002035

2. LASER UNIT



MODEL HL-1230/1440/1450/1470N 84U-Z31/Z32/Z33/Z34-020

3. PAPER FEED



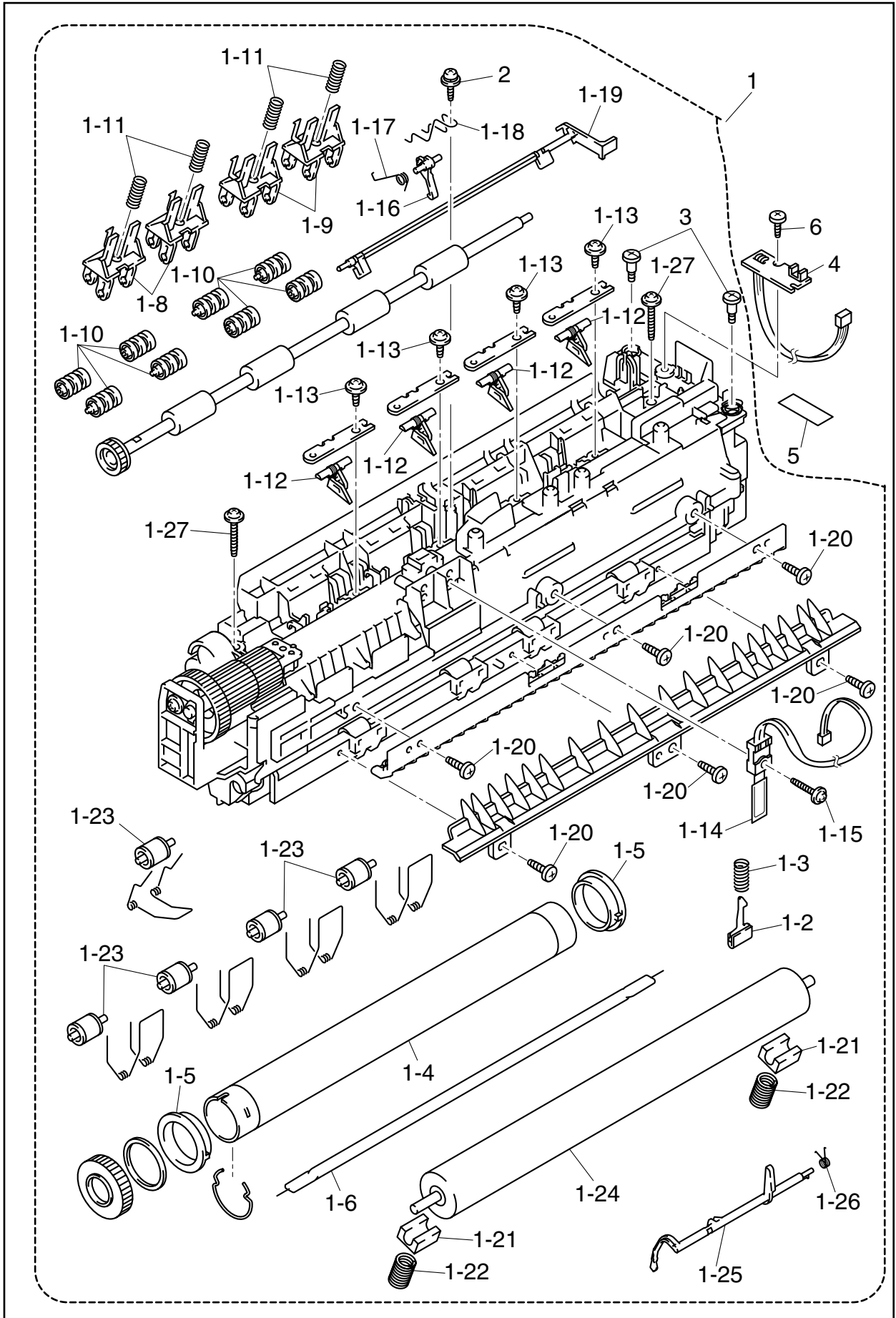
MODEL HL-1230/1440/1450/1470N 84U-Z31/Z32/Z33/Z34-040

3. PAPER FEED

REF.NO.	CODE	Q'TY	DESCRIPTION	REMARK
1	UL9060001	1	PAPER FEED ROLLER ASSY	
2	UL9066001	1	PAPER PICK-UP ROLLER ASSY	
3	LJ4499001	1	TR ELECTRODE HELICAL SPRING	
4	LJ4843001	1	OUTER CHUTE 1 (SP)	
5	UL9070001	1	GEAR 21	
6	UL9059001	1	JOINT 5	
7	UL9062001	2	BEARING 5	
8	UL9069001	1	CONDUCTOR BEARING 5	

MODEL HL-1230/1440/1450/1470N 84U-Z31/Z32/Z33/Z34-040

4. FIXING UNIT



MODEL HL-1230/1440/1450/1470N 84U-Z31/Z32/Z33/Z34-050

4. FIXING UNIT

PR2002035

REF.NO	CODE	Q'TY	DESCRIPTION	SYMBOL	REMARK
1	LJ7161001	1	FIXING UNIT, 115V (SP)		CODE CHG
1	LJ7162001	1	FIXING UNIT, 230V (SP)		CODE CHG
1-2	LJ5682001	1	CLEANER ASSY E		
1-3	UH3635001	1	CLEANER SPRING 30		
1-4	LJ5684001	1	HEAT ROLLER 25		
1-5	UL8908001	2	HR BEARING 25		
1-6	LJ5685001	1	HALOGEN LAMP, 115V		
1-6	LJ5695001	1	HALOGEN LAMP, 230V		
1-8	LJ5276001	2	EJECT PINCH ROLLER HOLDER L		
1-9	LJ5277001	2	EJECT PINCH ROLLER HOLDER R		
1-10	LJ5278001	8	EJECT PINCH ROLLER		
1-11	LJ5279001	4	EJECT PINCH SPRING		
1-12	LJ5280001	4	SEPARATE CLAW ASSY 2		
1-13	087310615	4	TAPTITE, CUP B M3X6		
1-14	LJ5686001	1	THERMISTOR ASSY		
1-15	085311216	1	TAPTITE, BIND B M3X12		
1-16	LJ5734001	1	EJECT ACTUATOR 2		
1-17	LJ5732001	1	EJECT ACTUATOR SPRING 2		
1-18	LJ5736001	1	ACTUATOR HOLDER		
1-19	LJ5735001	1	EJECT ACTUATOR 3		
1-20	085311015	6	SCREW,BIND B TITE 3X10		
1-21	UL8916001	2	PR BEARING		
1-22	LJ5690001	2	PR SPRING		
1-23	LJ5268001	5	CLEANER PINCH ROLLER ASSY		
1-24	LJ5287001	1	PRESSURE ROLLER 25		
1-25	UL8920001	1	PAPER EJECT ACTUATOR		
1-26	UL8921001	1	EJECT ACTUATOR SPRING		
1-27	087312015	1	TAPTITE, CUP B M3X20		
2	Z07200001	1	TAPTITE, PAN B M3X10		
3	LJ4740001	2	SHOULDER SCREW		
4	LJ8841001	1	JAM SENSOR PCB ASSY	B512096-1	
5	LJ4432001	1	TAPE 32X12		
6	085311015	1	SCREW,BIND B TITE 3X10		

MODEL HL-1230/1440/1450/1470N 84U-Z31/Z32/Z33/Z34-050/051

5-1. PAPER CASSETTE, LGL

PR2002009

REF.NO.	CODE	Q'TY	DESCRIPTION	REMARK
1	LE1162001	1	PAPER TRAY UNIT LGL (SP)	
1-1	LJ4537001	1	PRESSURE PLATE ASSY, LGL	
1-2	UL9077001	2	PRESSURE PLATE SPRING	
1-3	UL9078001	1	SIDE GUIDE L	
1-4	UL9079001	1	SIDE GUIDE R	
1-5	U73515001	2	TAPTITE, CUP B M2.6X5	
1-6	UL9080001	2	SIDE GUIDE RACK	
1-7	UL9081001	1	SIDE GUIDE GEAR	
1-8	UL9082001	1	FRICITION SPRING	
1-9	087310815	1	TAPTITE, CUP B M3X8	
1-10	UL9083001	1	REAR PAPER GUIDE	
1-11	UL9084001	1	SEPARATION PAD HOLDER ASSY	
1-12	UL9090001	1	SEPARATION PAD SPRING	
1-13	UL9091001	1	PAPER INDICATOR	
1-14	UL9092001	1	LOCK LEVER	
1-15	LJ4534001	1	PRESSURE ROLLER HOLDER ASSY	
1-16	LJ4892001	1	PRESSURE ROLLER COLLAR 2 ASSY	
1-17	UL9095001	1	RELEASE LEVER EXTENSION SPRING	
1-18	LJ4197001	1	PAPER TRAY COVER	
1-19	UF8709001	1	TAPTITE, TORX PAN B M3X8	
1-20	LJ4272001	1	TRAY COVER FILM	
1-21	LJ4221001	1	SCRATCH SPONGE HOLDER ASSY	
1-22	LJ4200001	2	SCRATCH SPONGE SPRING	
1-23	LJ4332001	1	TRAY FEED GUIDE ASSY	ADD

MODEL HL-1230/1440/1450/1470/1470N 84U-Z31/Z32/Z33/Z34-045/046

T/I NO. PR2002009

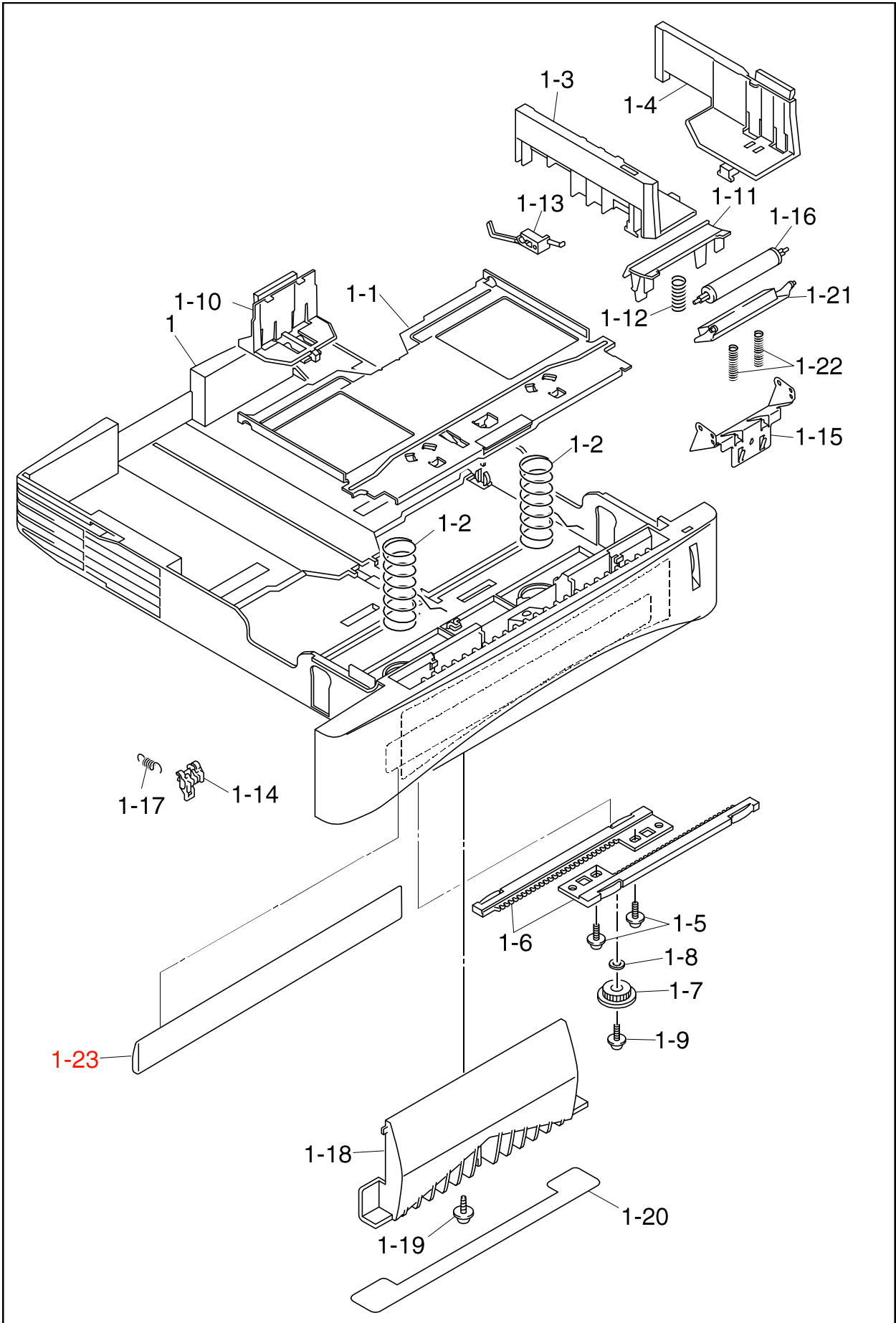
5-2. PAPER CASSETTE, A4

PR2002009

REF.NO.	CODE	Q'TY	DESCRIPTION	REMARK
1	LJ4181001	1	PAPER TRAY UNIT A4 (SP)	
1-1	UL9074001	1	PRESSURE PLATE ASSY, A4	
1-2	UL9077001	2	PRESSURE PLATE SPRING	
1-3	UL9078001	1	SIDE GUIDE L	
1-4	UL9079001	1	SIDE GUIDE R	
1-5	U73515001	2	TAPTITE, CUP B M2.6X5	
1-6	UL9080001	2	SIDE GUIDE RACK	
1-7	UL9081001	1	SIDE GUIDE GEAR	
1-8	UL9082001	1	FRICITION SPRING	
1-9	087310815	1	TAPTITE, CUP B M3X8	
1-10	UL9083001	1	REAR PAPER GUIDE	
1-11	UL9084001	1	SEPARATION PAD HOLDER ASSY	
1-12	UL9090001	1	SEPARATION PAD SPRING	
1-13	UL9091001	1	PAPER INDICATOR	
1-14	UL9092001	1	LOCK LEVER	
1-15	LJ4196001	1	PRESSURE ROLLER HOLDER	
1-16	LJ4892001	1	PRESSURE ROLLER COLLAR 2 ASSY	
1-17	UL9095001	1	RELEASE LEVER EXTENSION SPRING	
1-18	LJ4197001	1	PAPER TRAY COVER	
1-19	UF8709001	1	TAPTITE, TORX PAN B M3X8	
1-20	LJ4272001	1	TRAY COVER FILM	
1-21	LJ4221001	1	SCRATCH SPONGE HOLDER ASSY	
1-22	LJ4200001	2	SCRATCH SPONGE SPRING	
1-23	LJ4332001	1	TRAY FEED GUIDE ASSY	ADD

MODEL HL-1230/1440/1450/1470/1470N 84U-Z31/Z32/Z33/Z34-045/046

T/I NO. PR2002009



MODEL HL-1230/1440/1450/1470N 84U-Z31/Z32/Z33/Z34-045/047

T/I NO. PR2002009

6. COVERS / LABELS

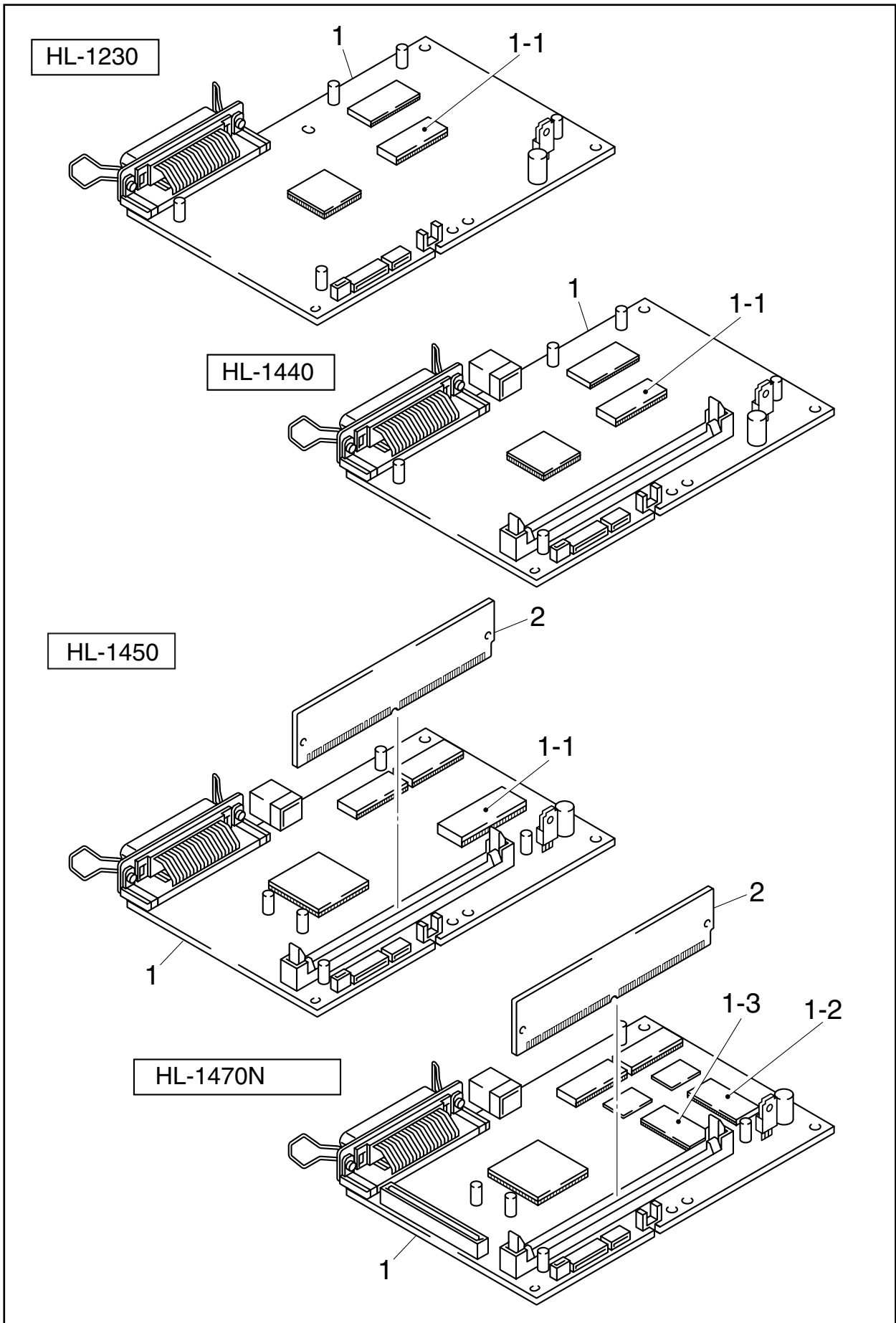
PR2002052

REF.NO.	CODE	Q'TY	DESCRIPTION	REMARK
1	LJ5751001	1	MAIN COVER ASSY ZLE	
2	UL9122001	4	PINCH ROLLER ASSY	
3	UL9125001	4	PINCH ROLLER SPRING	
4	LJ5763001	1	REAR COVER	
5	UL9127001	1	REAR COVER SPRING L	
6	UL9128001	1	REAR COVER SPRING R	
7	UL9129002	1	FRONT COVER ASSY	
7	LJ7147001	1	FRONT COVER ASSY LEG (OEM)	
8	UL9140001	1	TRAY EXTENSION FLAP	
9	UL9088001	1	TOP COVER	
10	UL9142001	1	SECOND EJECT ROLLER ASSY	
11	087321015	2	TAPTITE, CUP S M3X10	
12	085320816	6	TAPTITE, BIND S M3X8	
13	LJ5727001	1	BROTHER EMBLEM 1230	
13	LJ5667001	1	BROTHER EMBLEM 1440	
13	LJ5714001	1	BROTHER EMBLEM 1450	
13	LJ5739001	1	BROTHER EMBLEM 1470N	
13	LJ7141001	1	LEGEND EMBLEM LJ2500 (OEM)	
13	LJ7142001	1	LEGEND EMBLEM LJ2600 (OEM)	
14	UL6740001	1	LASER CAUTION LABEL EUR	
14	UL7931001	1	LASER LABEL LEGEND (OEM)	
15	LJ5728001	1	MYLAR LABEL 1230 CAN	
15	LJ5731001	1	MYLAR LABEL 1230 EUR	
15	LJ5671001	1	MYLAR LABEL 1440 US-A	
15	LJ5706001	1	MYLAR LABEL 1440 EUR	
15	LJ5715001	1	MYLAR LABEL 1450 US	
15	LJ5718001	1	MYLAR LABEL 1450 EUR	
15	LJ5740001	1	MYLAR LABEL 1470N US	
15	LJ5743001	1	MYLAR LABEL 1470N EUR	
16	LJ4905001	1	FAN GUARD	
17	LJ5669001	1	PROCESS UNIT OP LABEL E	
18	LJ4855001	1	TRAY REAR COVER ASSY	
19	UH0905001	1	PATENT LABEL (US)	
19	LJ4421001	1	MARKING LABEL N/S (Norway/Sweden)	
19	LJ4541001	1	HOT LINE LABEL (Swiss)	
19	UH3297001	1	C-TICK MARK (Australia)	
20	LJ5826001	1	MYLAR LABEL ZLE CAN-A	
20	LJ5671001	1	MYLAR LABEL ZLE US-A	
21	LJ5827001	1	MYLAR LABEL ZLE CAN-B	
21	LJ5672001	1	MYLAR LABEL ZLE US-B	
22	LJ5834001	1	TRAY REAR COVER LGL ASSY	ADD

MODEL HL-1230/1440/1450/1470N 84U-Z31/Z32/Z33/Z34-060/061

T/I NO. PR2001104 / PR2002052

7.MAIN PCB



MODEL HL-1230/1440/1450/1470N 84U-Z31/Z32/Z33/Z34-101/103

7. MAIN PCB

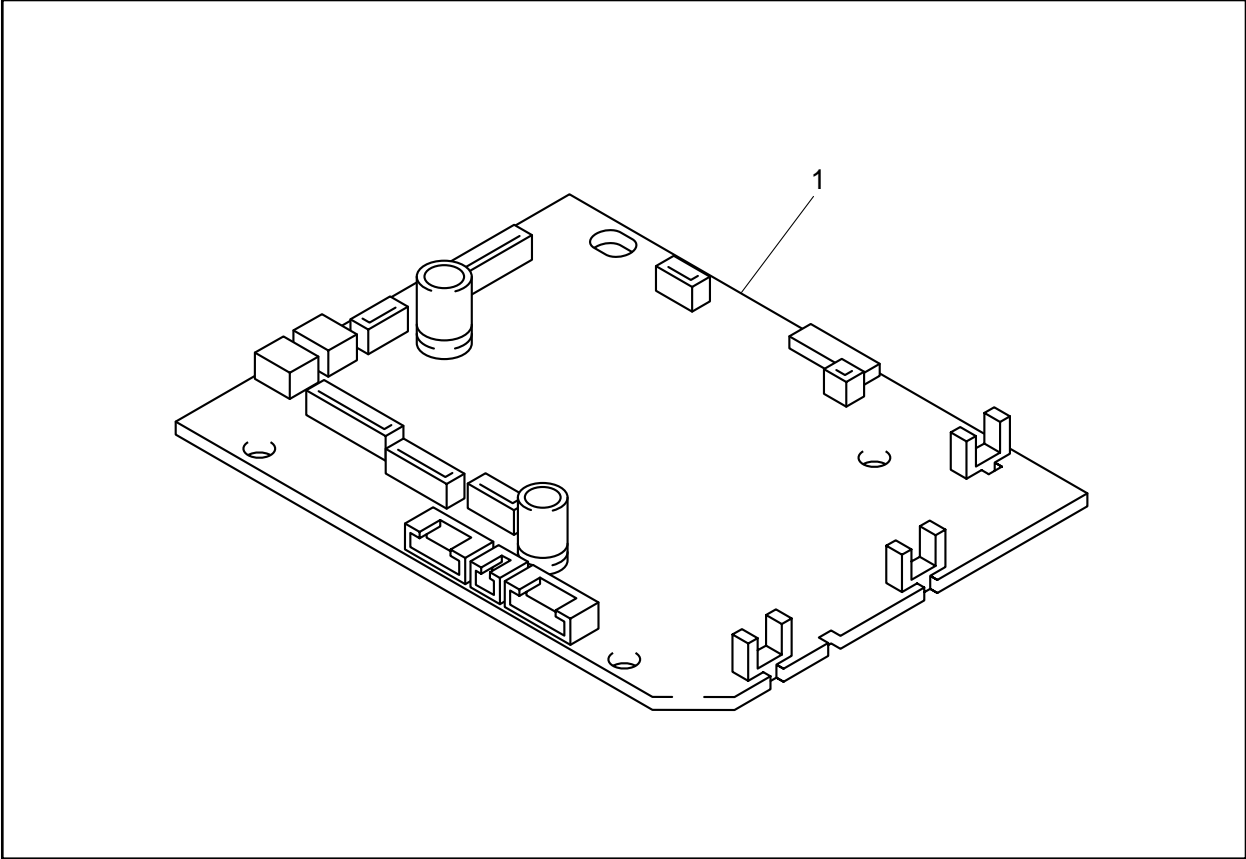
PR2002062

REF.NO.	CODE	Q'TY	DESCRIPTION	SYMBOL	REMARK
1	LJ8840001	1	MAIN PCB ASSY 1230 CAN	B512130-2	
1	LJ8840005	1	MAIN PCB ASSY 1230 EU	B512130-2	
1	LJ8811001	1	MAIN PCB ASSY 1440	B512130-2	
1	LJ8811005	1	MAIN PCB ASSY 1440 EU	B512130-2	
1	LJ8880001	1	MAIN PCB ASSY 1440 HEB	B512130-2	
1	LJ8819007	1	MAIN PCB ASSY 1450	B512134-110E	CODE CHNG
1	LJ8819005	1	MAIN PCB ASSY 1450 EU	B512134-117E	
1	LJ8819006	1	MAIN PCB ASSY 1450 DEN	B512134-118E	
1	LJ9080001	1	MAIN PCB ASSY 1450 ISR		
1	LJ9081001	1	MAIN PCB ASSY 1470N	B512049-230D	
1	LJ9081005	1	MAIN PCB ASSY 1470N EU	B512049-237D	
1	LJ9081006	1	MAIN PCB ASSY 1470N DEN	B512049-238D	
1	LJ9081008	1	MAIN PCB ASSY 1470N ISR		
1	LJ9118001	1	MAIN PCB ASSY 1440 LEG (OEM)		
1	LJ9120001	1	MAIN PCB ASSY 1450 LEG (OEM)		
1-1	LJ8874001	1	MASK ROM 1230/1440		
1-1	LJ8881001	1	MASK ROM 1440 HEB		
1-1	LJ8923001	1	MASK ROM 1450S		
1-2	LJ8924001	4	MASK ROM 1470N LOW		
1-3	LJ8925001	4	MASK ROM 1470N HIGH		
1-1	LJ9101001	1	MASK ROM 1470S		
2	LJ8870001	1	SIMM 4M (1450/1470N)		

MODEL HL-1230/1440/1450/1470N 84U-Z31/Z32/Z33/Z34-101

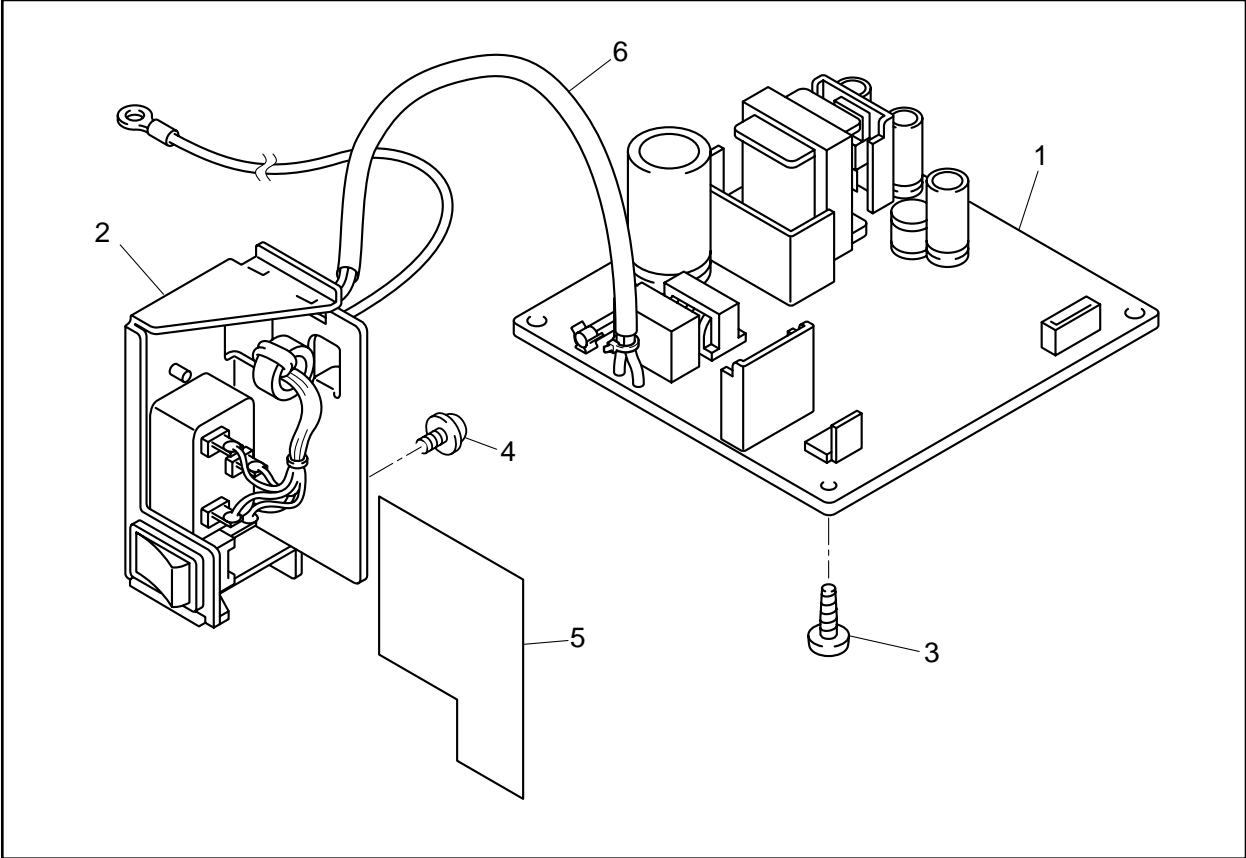
T/I NO. PR2002006 / PR2002036 / PR2002062

8. ENGINE PCB



MODEL HL-1230/1440/1450/1470N 84U-Z31/Z32/Z33/Z34-151

9. LOW-VOLTAGE POWER SUPPLY PCB



MODEL HL-1230/1440/1450/1470N 84U-Z31/Z32/Z33/Z34-200

8. ENGINE PCB

PR2002020

REF.NO.	CODE	QTY	DESCRIPTION	SYMBOL	REMARK
1	LJ8804001	1	ENGINE PCB ASSY 1230/1440	B512136-1	NAME CHNG
1	LJ8805001	1	ENGINE PCB ASSY 1450/1470N	B512136-1	NAME CHNG

MODEL HL-1230/1440/1450/1470N 84U-Z31/Z32/Z33/Z34-151

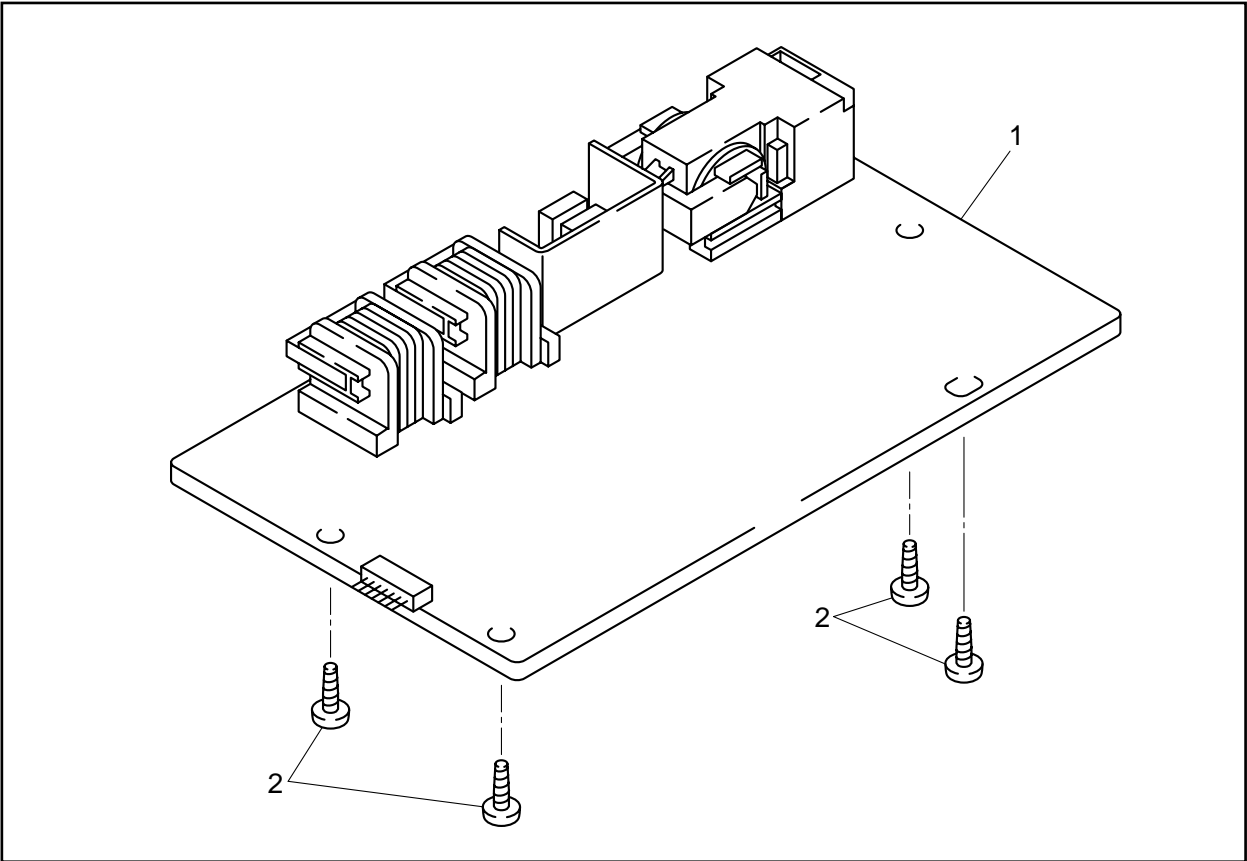
T/I NO. PR2002020

9. LOW-VOLTAGE POWER SUPPLY PCB

REF.NO.	CODE	QTY	DESCRIPTION	SYMBOL	REMARK
1	LJ8855001	1	PS PCB ASSY ZLE,115V		
1	UK4429001	1	PS PCB ASSY,230V		
2	UK4426001	1	INLET UNIT, 115V		
2	UK4430001	1	INLET UNIT, 230V		
3	085320816	1	TAPTITE, BIND S M3X8		
4	087320616	1	TAPTITE, CUP S M3X6		
5	LJ4756001	1	AC INLET FILM		
6	LJ8330001	1	PROTECTION TUBE		

MODEL HL-1230/1440/1450/1470N 84U-Z31/Z32/Z33/Z34-200/201

10. HIGH VOLTAGE POWER SUPPLY PCB



MODEL HL-1230/1440/1450/1470N 84U-Z31/Z32/Z33/Z34-220

11. AC CORDS

1A		1G	
1B		1H	
1C		1I	
1D			
1E			
1F			

MODEL HL-1230/1440/1450/1470N 84U-Z31/Z32/Z33/Z34-230

10. HIGH-VOLTAGE POWER SUPPLY PCB

PR2002032

REF.NO.	CODE	QTY	DESCRIPTION	REMARK
1	LJ5831001	1	HIGH-VOLTAGE PS ASSY (SP)	
2	085411215	4	SCREW BIND B TITE M4X12	

MODEL HL-1230/1440/1450/1470N 84U-Z31/Z32/Z33/Z34-220

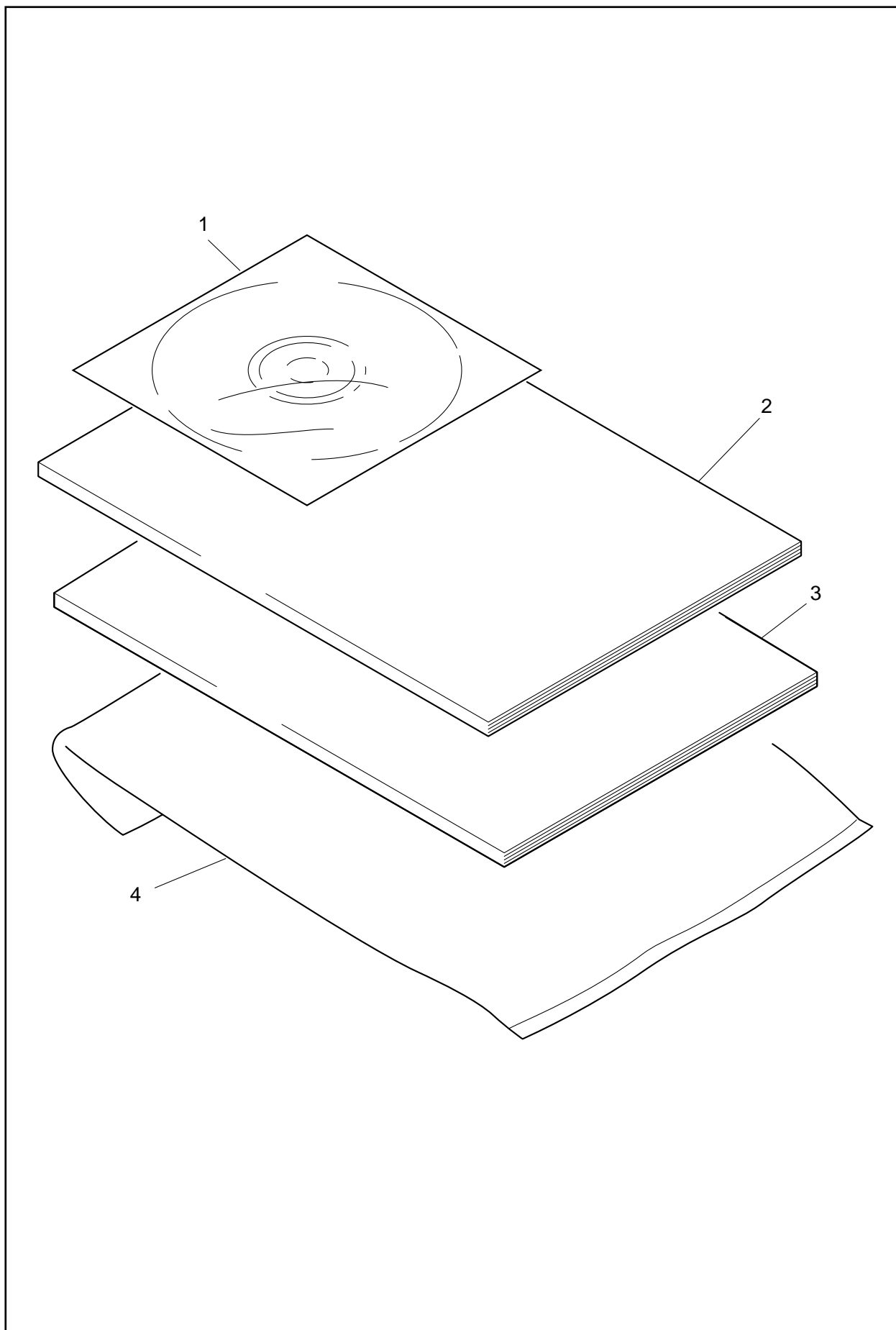
11. AC CORDS

REF.NO.	CODE	QTY	DESCRIPTION	REMARK
1A	LJ8875001	1	AC CORD, UL/CSA	
1B	LJ8879001	1	AC CORD ASSY, SAA	
1C	LJ8877001	1	AC CORD ASSY, SEV	
1D	LG3620001	1	AC CORD ARG	
1E	UH1054001	1	AC CORD, BS	
1F	U34322001	1	AC CORD #6, ISRAEL	
1G	UK4094001	1	AC CORD, DEMKO	
1H	UK4501001	1	AC CORD ASSY, VDE	CODE CHNG
1I	LJ8288001	1	AC CORD ASSY, SOUTH AFRICA	

MODEL HL-1230/1440/1450/1470N 84U-Z31/Z32/Z33/Z34-230

T/I NO. PR2001121/PR2002011/ PR2002032

12. ACCESSORIES



MODEL HL-1230/1440/1450/14700N 84U-Z31/Z32/Z33/Z34-920

12. ACCESSORIES

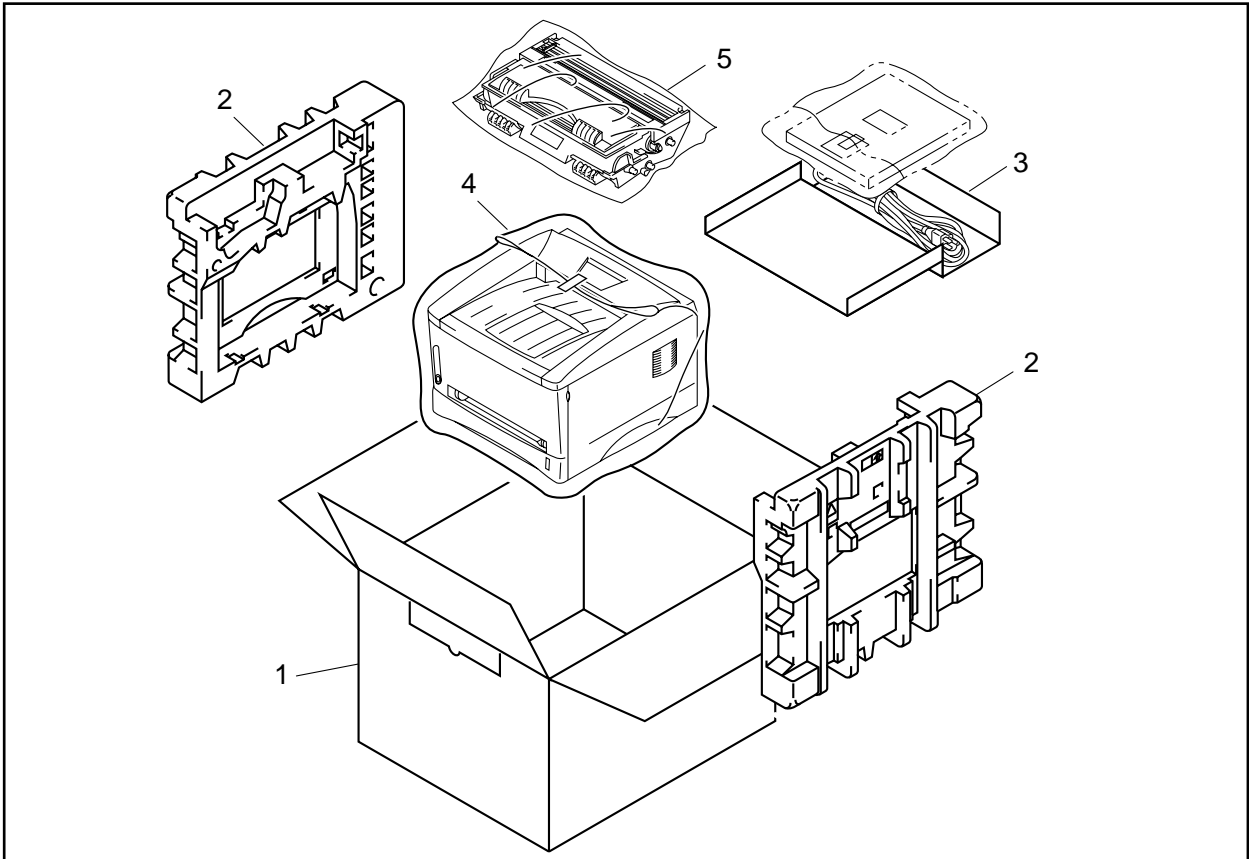
PR2002069

REF.NO.	CODE	Q'TY	DESCRIPTION	REMARK
1	LJ7018001	1	CD ASSY ZLE	Ver.F Ver.CHNG
1	LJ7135001	1	CD ASSY ZLE LEG (OEM)	
2	LJ7105001	1	SET GUIDE ENG	CODE CHNG
2	LJ7107001	1	SET GUIDE FRE	CODE CHNG
2	LJ7106001	1	SET GUIDE GER	CODE CHNG
2	LJ7111001	1	SET GUIDE NOR	CODE CHNG
2	LJ7108001	1	SET GUIDE DUT	CODE CHNG
2	LJ7113001	1	SET GUIDE DEN	CODE CHNG
2	LJ7110001	1	SET GUIDE SPA	CODE CHNG
2	LJ7109001	1	SET GUIDE ITA	CODE CHNG
2	LJ7112001	1	SET GUIDE SWE	CODE CHNG
2	LJ7114001	1	SET GUIDE POR	CODE CHNG
2	LJ7116001	1	SET GUIDE FIN	Ver.A CODE CHNG
2	LJ7149001	1	SET GUIDE ZLE LEG (OEM)	
3	LJ7117001	1	NETWORK SET GUIDE ENG	
3	LJ7119001	1	NETWORK SET GUIDE FRE	
3	LJ7118001	1	NETWORK SET GUIDE GER	
3	LJ7123001	1	NETWORK SET GUIDE NOR	
3	LJ7120001	1	NETWORK SET GUIDE DUT	
3	LJ7125001	1	NETWORK SET GUIDE DEN	
3	LJ7122001	1	NETWORK SET GUIDE SPA	
3	LJ7121001	1	NETWORK SET GUIDE ITA	
3	LJ7124001	1	NETWORK SET GUIDE SWE	
3	LJ7126001	1	NETWORK SET GUIDE POR	
4	LJ4961001	1	BAG, 215X350H	
5	LJ7133001	1	PR DRIVER DISK ASSY ZLE LEG (OEM)	
6	LJ7136001	1	USER'S MANUAL, ZLE LEG (OEM)	
7	UG4558001	1	I/F CABLE FE LGE (OEM)	

MODEL HL-1230/1440/1450/1470N 84U-Z31/Z32/Z33/Z34-920

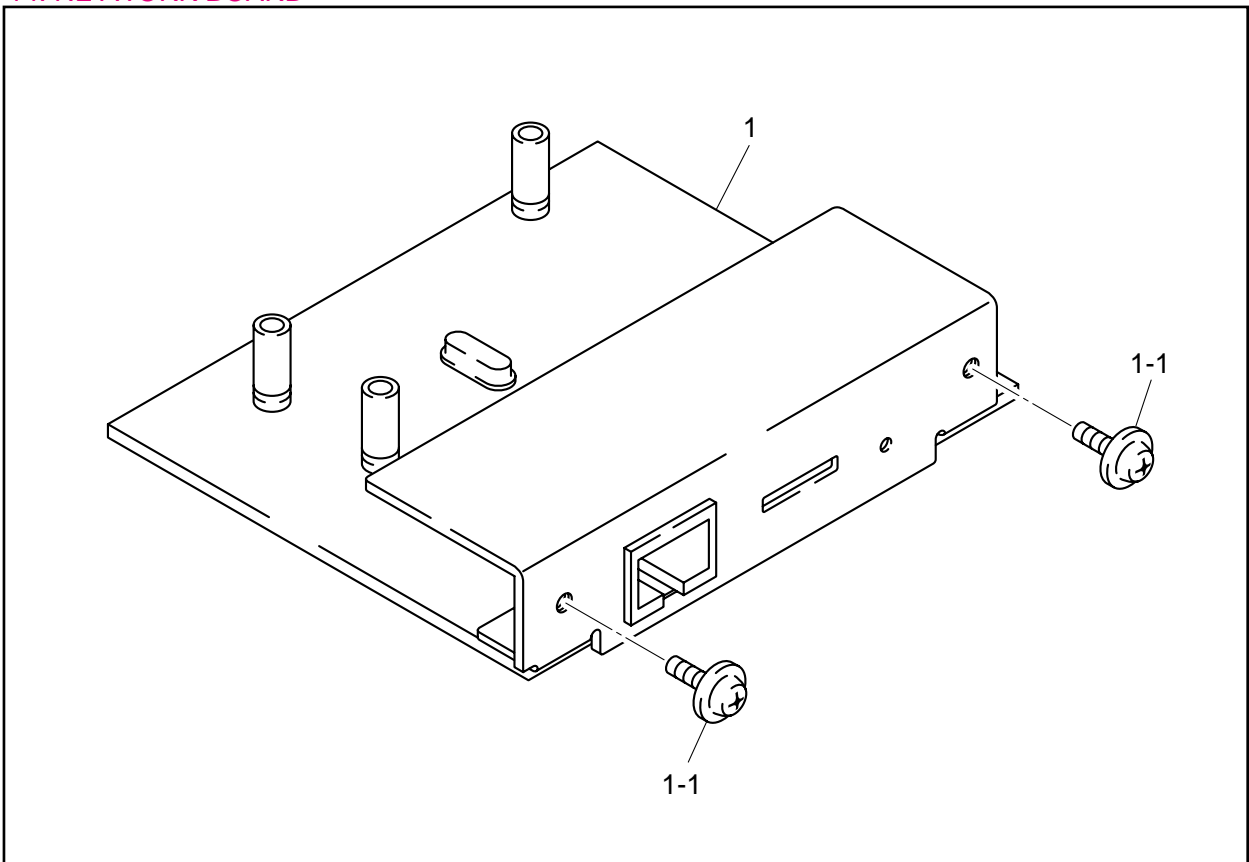
T/I NO. PR2001115 / PR2002012 / PR2002069

13. PACKING MATERIALS



MODEL HL-1230/1440/1450/1470N 84U-Z31/Z32/Z33/Z34-930

14. NETWORK BOARD



MODEL HL-1470N 84U-Z34-150

13. PACKING MATERIALS

PR2001148

REF.NO.	CODE	Q'TY	DESCRIPTION	REMARK
1	LL0465001	1	CARTON, HL-1230 CAN	
1	LL0466001	1	CARTON, HL-1230 EUR	
1	LL0453001	1	CARTON, HL-1440 US	
1	LL0454001	1	CARTON, HL-1440 EUR	
1	LL0558001	1	CARTON, HL-1440 SGP	ADD
1	LL0455001	1	CARTON, HL-1450 US	
1	LL0456001	1	CARTON, HL-1450 EUR	
1	LL0559001	1	CARTON, HL-1450 SGP	ADD
1	LL0467001	1	CARTON, HL-1470N US	
1	LL0468001	1	CARTON, HL-1470N EUR	
1	LL0560001	1	CARTON, HL-1470N SGP	ADD
2	UE2280001	1	STYROFORM PAD ASSY, LGL	
2	LJ4038001	1	STYROFORM PAD ASSY, A4	
3	UE2283001	1	ACCESSORY CARTON	
4	LJ5584001	1	BAG, 700X800H	
5	LJ5557001	1	PROCESS BAG 400X480	

MODEL HL-1230/1440/1450/1470N 84U-Z31/Z32/Z33/Z34-930

14. NETWORK BOARD

REF.NO.	CODE	Q'TY	DESCRIPTION	SYMBOL	REMARK
1	LJ8059001	1	BRNET PCB UNIT		
1-1	087320616	2	TAPTITE, CUP S M3X6		

MODEL HL-1470N 84U-Z34-150

T/I NO. PR2001148