



LASER PRINTER

PARTS REFERENCE LIST



HL-1660e

NOTE FOR USING THIS PARTS REFERENCE LIST

1. In the case of ordering parts, it needs mentioning the following items:

- (1) Code
- (2) Q'ty
- (3) Description
- (4) Symbol (PCB No., Revision , and Parts location mounted on the PCB.)

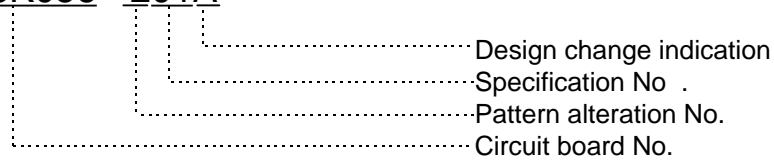
Note : No orders without Parts Code or Tool No. can be accepted.

< Example >

REF.NO.	CODE	Q'TY	DESCRIPTION	SYMBOL	REMARK

Revision No.: marked on the printed circuit board.

B48K056 - 201A



2. Design-changed parts :

If the parts are changed, any one of the following symbols is indicated in the REMARKS column.

- #A : compatible between old and new
- #B : replaceable from old to new
- #D : incompatible
- # : newly established

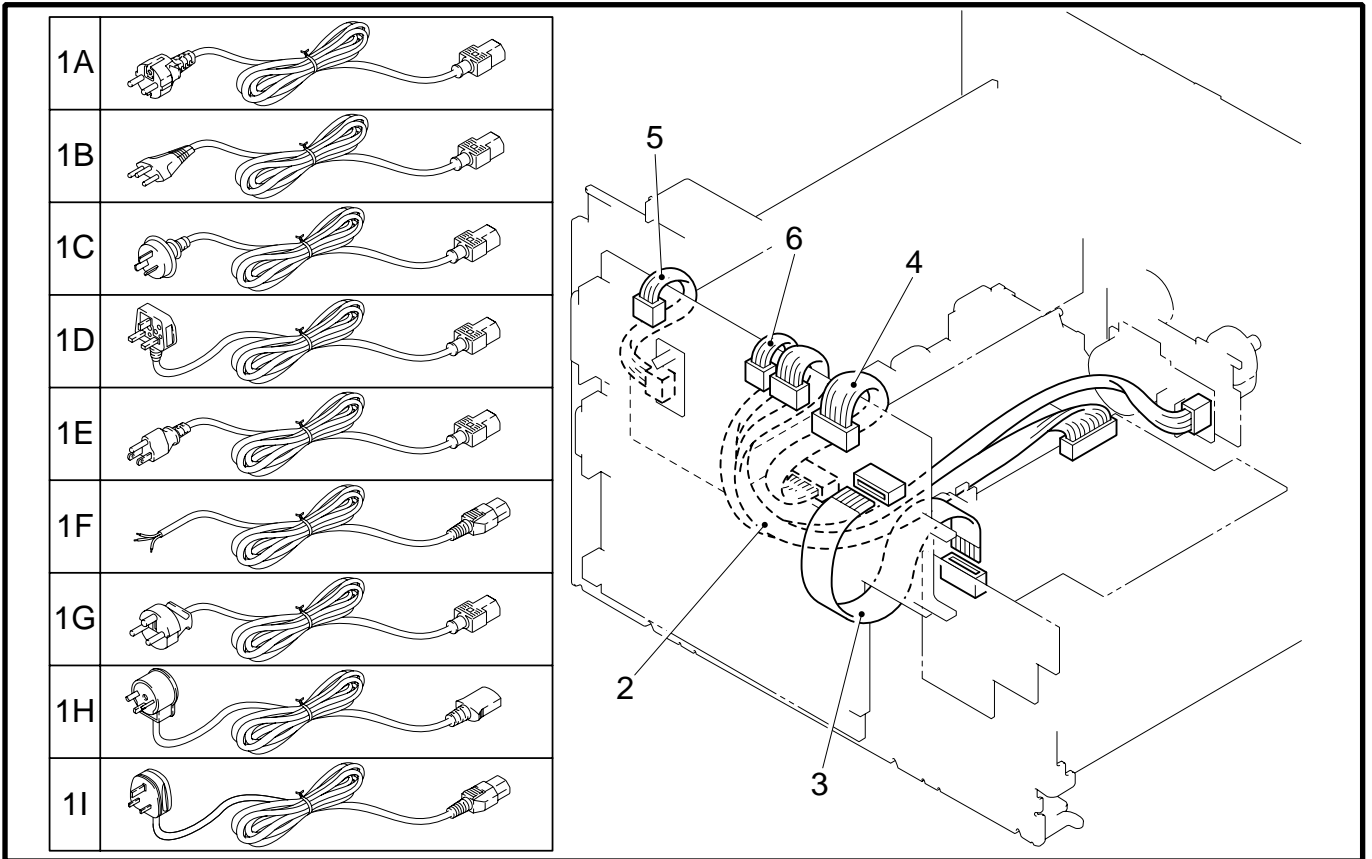
3. The original of this list was made based on the information available in November, 1997.

4. Parts are subject to change in design without prior notice.

CONTENTS

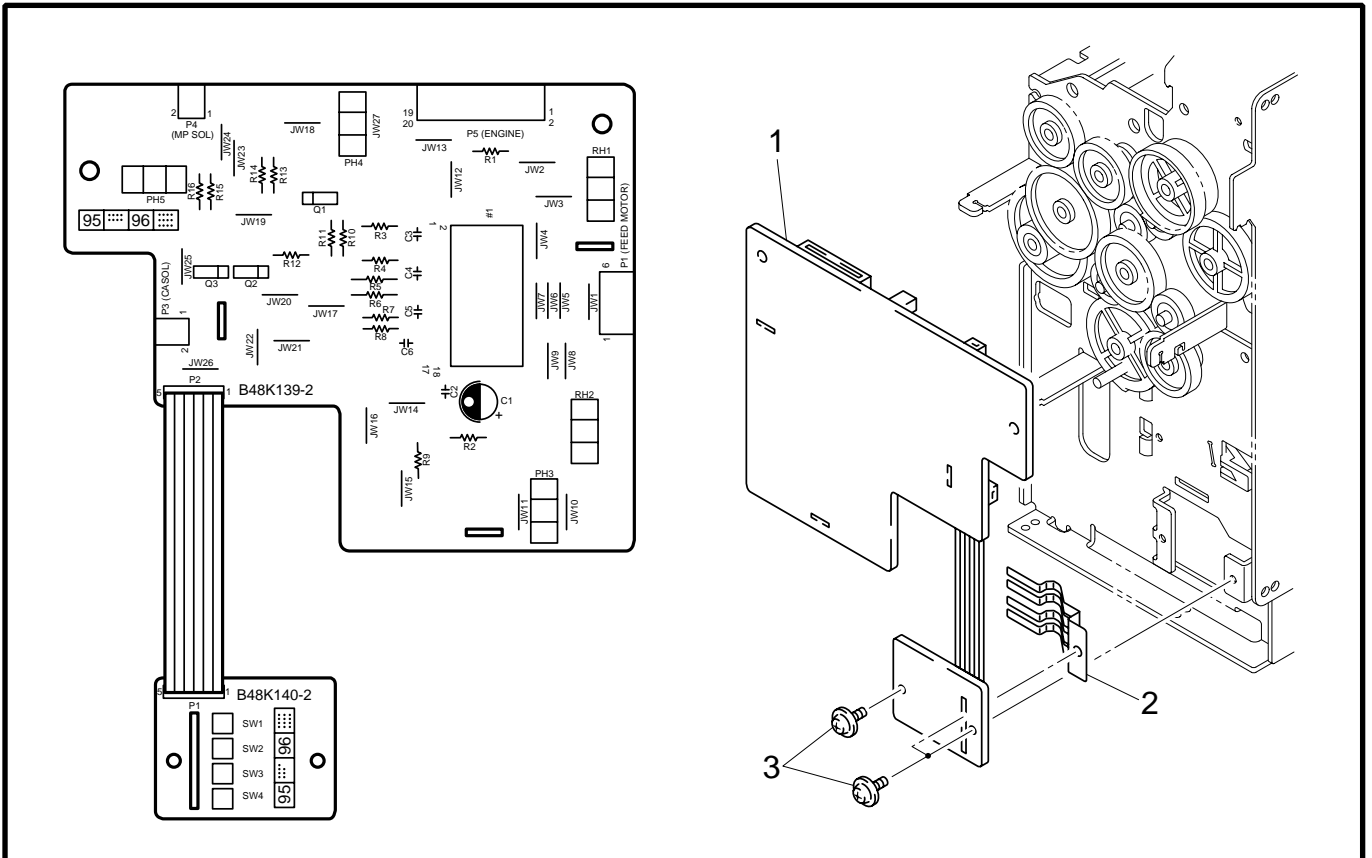
1. POWER CORDS & HARNESSSES	1
2. PAPER FEEDER PCB	1
3. CONTROL PANEL	3
4. PCB ATTACHMENTS	3
5. MAIN PCB.....	5
6. HIGH-VOLTAGE POWER SUPPLY	7
7. LOW-VOLTAGE POWER SUPPLY	7
8. COVERS	9
9. CHASSIS	9
10. TRANSFER.....	11
11. PAPER TRAY	11
12. PAPER FEEDER.....	13
13. SCANNER.....	15
14. FIXING UNIT, 120V/230V	15
15. DOCUMENTS	17
16. PACKING MATERIALS.....	19
17. OPTIONAL PARTS SET	19
18. ADJUSTING TOOL KIT.....	21

1 . POWER CORDS & HARNESSES



MODEL HL-1660e 54T-U03-050/070

2 . PAPER FEEDER PCB



MODEL HL-1660e 54T-U03-090

1. POWER CORDS & HARNESSSES

REF.NO.	CODE	Q'TY	DESCRIPTION	REMARK
1A	UH1052001	1	AC CORD, VDE	
1B	UH1053001	1	AC CORD, SEV	
1C	UH1055001	1	AC CORD, SAA	
1D	UH1054001	1	AC CORD, BS	
1E	UH1051001	1	AC CORD, UL/CSA	
1F	U34320001	1	AC CORD #4, BS WO/PLUG	
1G	UK4094001	1	AC CORD #5, DEMKO	
1H	U34322001	1	AC CORD #6, ISRAEL	
1I	U34342001	1	AC CORD #8, BS/SINGAPORE	
2	UK2502001	1	HV HARNESS 16P	
3	UK2505000	1	FEED FLAT CABLE 20P	
4	UK2506001	1	LV HARNESS 8P	
5	UK2507001	1	FUSER HARNESS 4P	
6	UK2508001	1	DC MOTOR HARNESS 4P	

MODEL HL-1660e 54T-U03-050/070

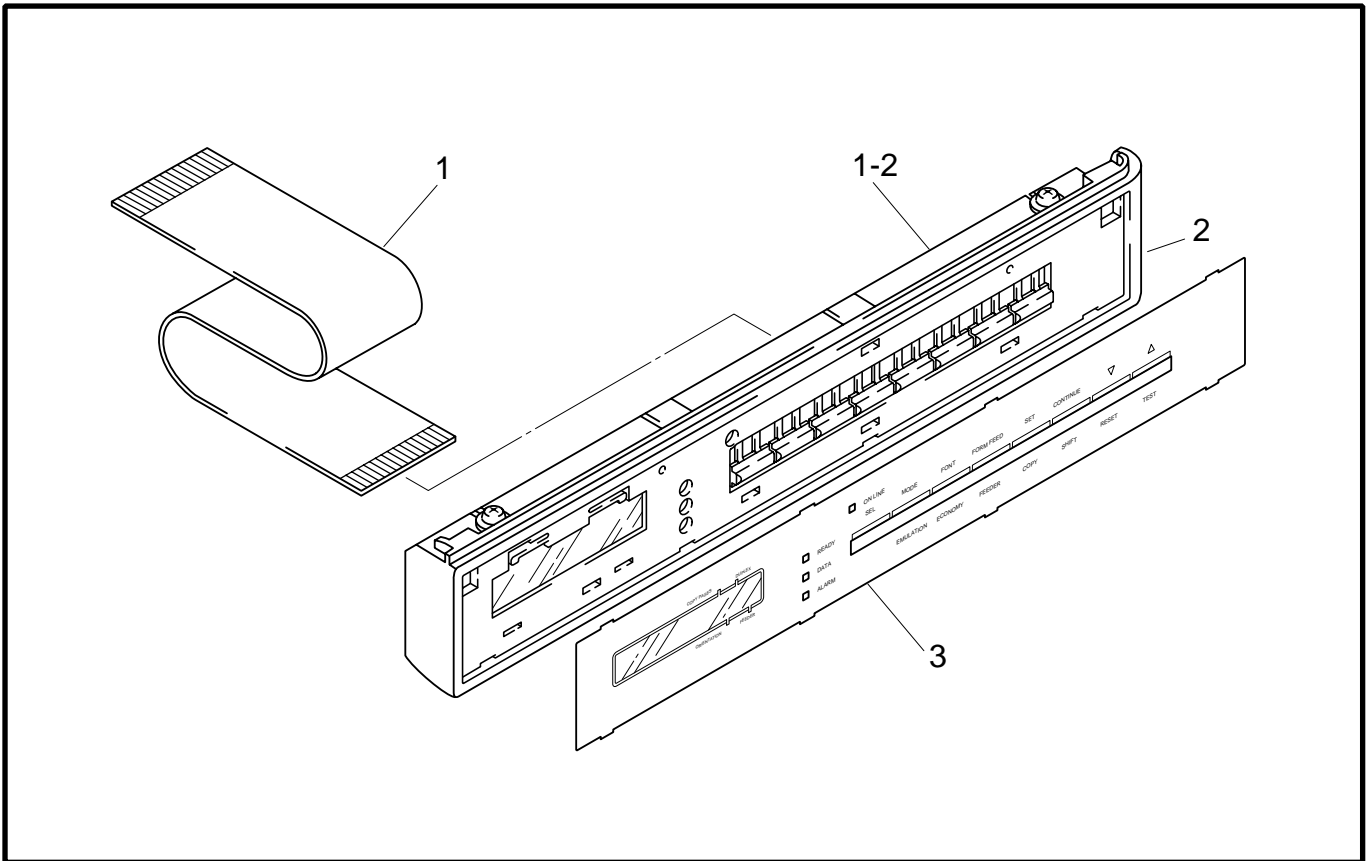
T/I NO. PR98046

2. PAPER FEEDER PCB

REF.NO.	CODE	Q'TY	DESCRIPTION	SYMBOL	REMARK
1	UK2701001	1	P FEED/SIZE-SW PCB ASSY (SP)	B48K139/140-200B/200B	
2	UH2410000	1	SIZE SWITCH SPRING		
3	087320616	2	TAPTITE, CUP S M3X6		

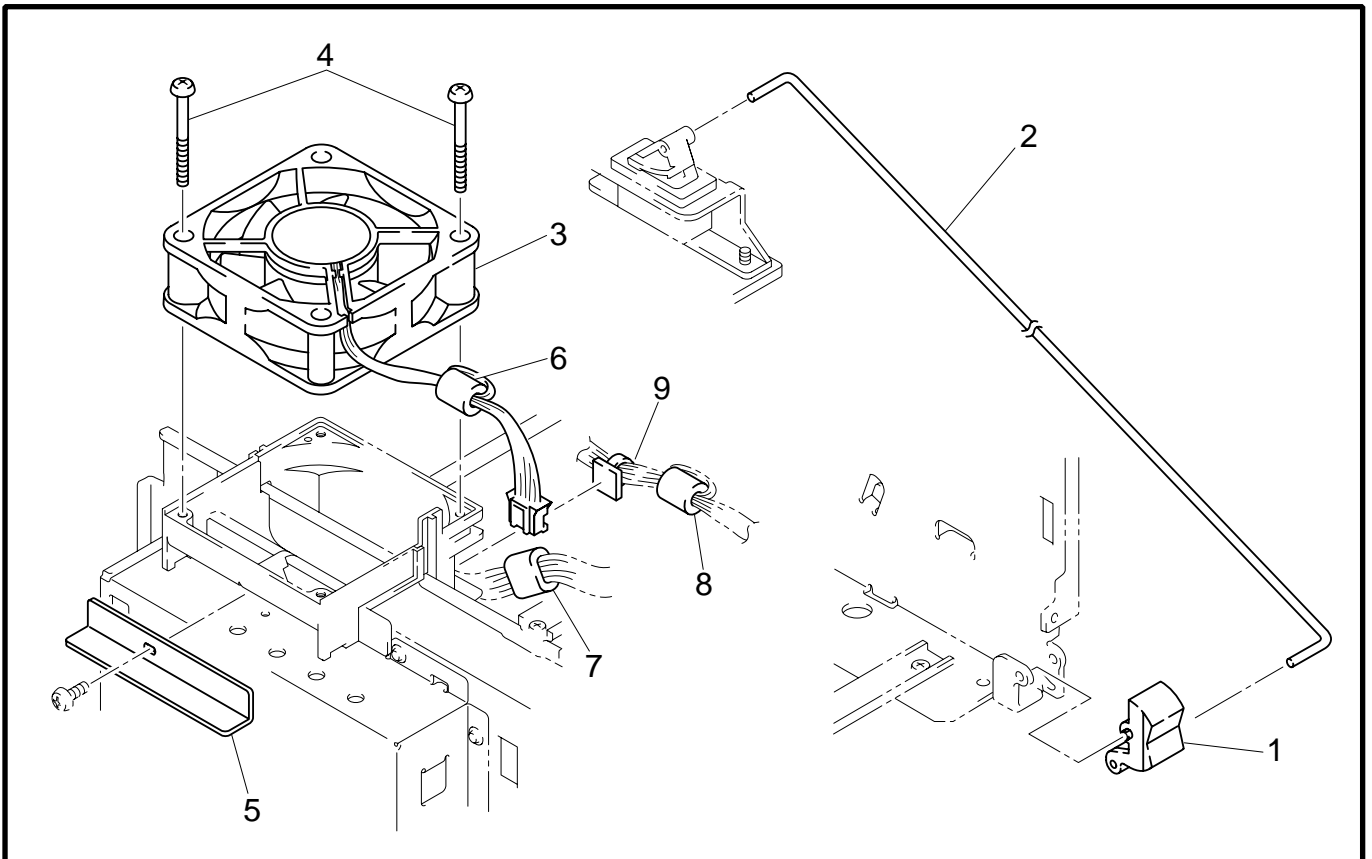
MODEL HL-1660e 54T-U03-090

3 . CONTROL PANEL



MODEL HL-1660e 54T-U03-150

4 . PCB ATTACHMENTS



MODEL HL-1660e 54T-U03-450

3. CONTROL PANEL

REF.NO	CODE	Q'TY	DESCRIPTION	SYMBOL	REMARK
1-2	UK3024001	1	CONTROL PANEL UNIT (SP)	(B48K143-200B)	
1	UK2500000	1	SWITCH FLAT CABLE 21P		
2	UH2011001	1	PANEL STOPPER, GRAY1227		
3	UH1451001	1	PANEL SHEET, HL-1660e		

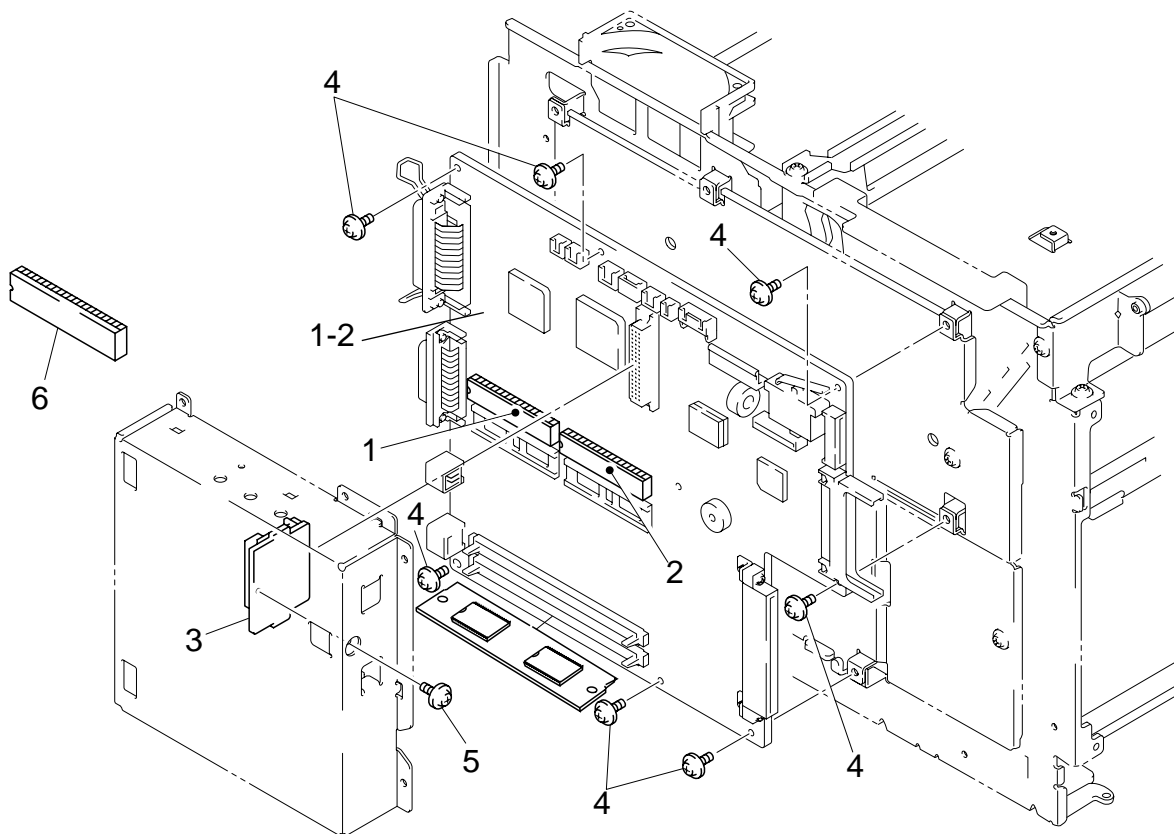
MODEL HL-1660e 54T-U03-150

4. PCB ATTACHMENTS

REF.NO	CODE	Q'TY	DESCRIPTION	REMARK
1	UH2121001	1	REMOTE SWITCH	
2	UH2122000	1	PS SWITCH WIRE	
3	UH2124001	1	DC FAN MOTOR	
4	083313515	2	TAPTITE, PAN B M3X35	
5	UH2144001	1	HOLDER SPACER	
6	UK2826001	1	CORE:RI-12-15-8.5	
7	UK3213000	1	CORE:FPC-16-12	
8	UK3214000	1	CORE:ZCAT1518	
9	UK3215000	1	CABLE CLAMP	

MODEL HL-1660e 54T-U03-450

5 . MAIN PCB



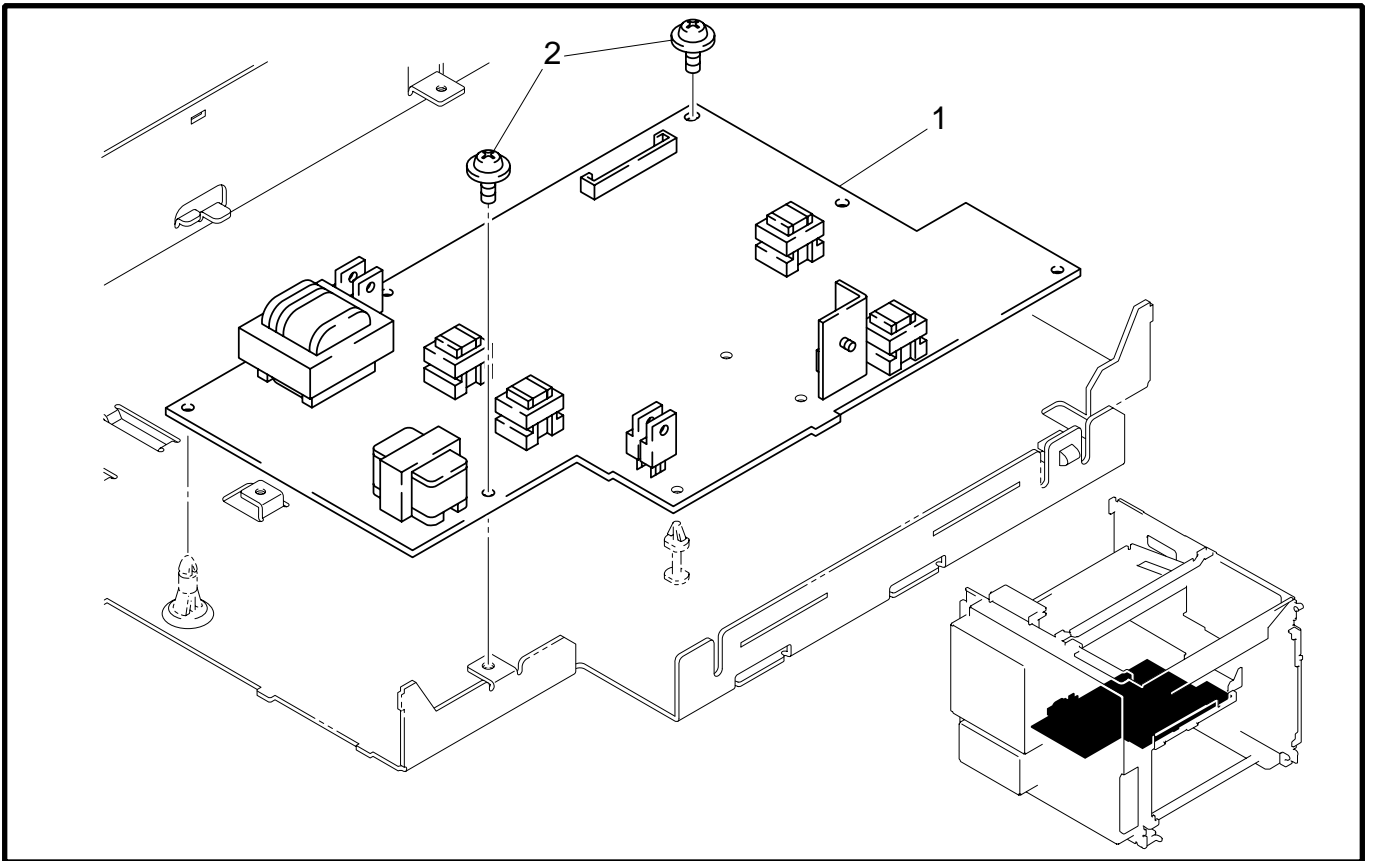
5. MAIN PCB

REF.NO	CODE	Q'TY	DESCRIPTION	SYMBOL	REMARK
1-2	UK3799001	1	MAIN PCB ASSY (SP), HL1660e	B48K294-100D	
1	UK4127000	1	MROM23C32000-01	#26	
2	UK4128000	1	MROM23C32000-02	#14	
3	UK3785001	1	MIO CONNECTOR PCB ASSY	B48K295-100	
4	087320616	7	TAPTITE, CUP S M3X6		
5	087320616	1	TAPTITE, CUP S M3X6		
6	UK2466000	1	EPROM:27C8000DZ(BLANK EPROM)(SP)	(#1)	

MODEL HL-1660e 54T-U03-103

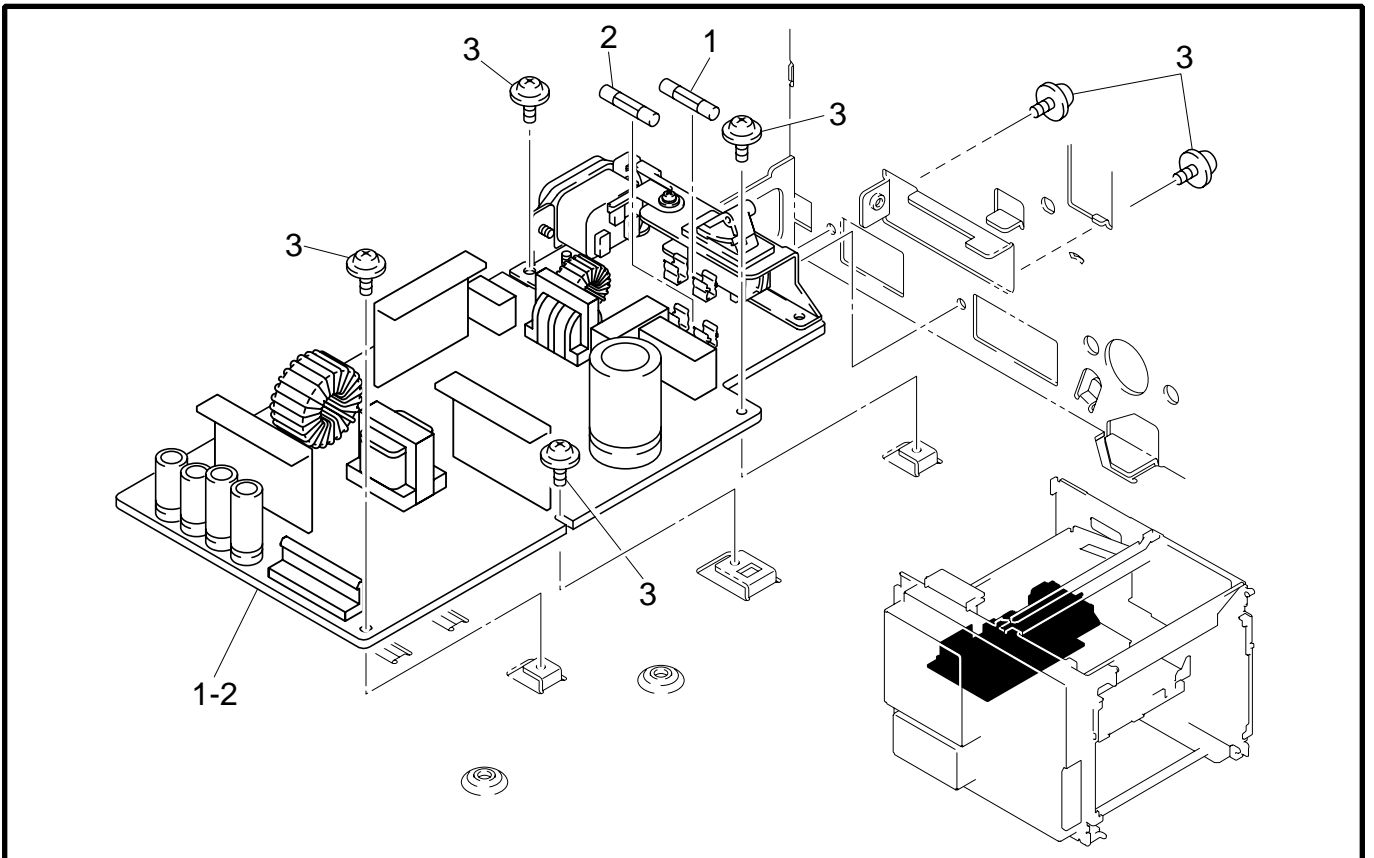
T/I NO. PR98017, PR98055

6 . HIGH-VOLTAGE POWER SUPPLY



MODEL HL-1660e 54T-U03-200

7 . LOW-VOLTAGE POWER SUPPLY



MODEL HL-1660e 54T-U03-300

6. HIGH-VOLTAGE POWER SUPPLY

REF.NO.	CODE	Q'TY	DESCRIPTION	SYMBOL	REMARK
1	UK2702001	1	HIGH-VOLTAGE PS PCB ASSY (SP)	B48K186-300E	
2	087320616	2	TAPTITE, CUP S M3X6		

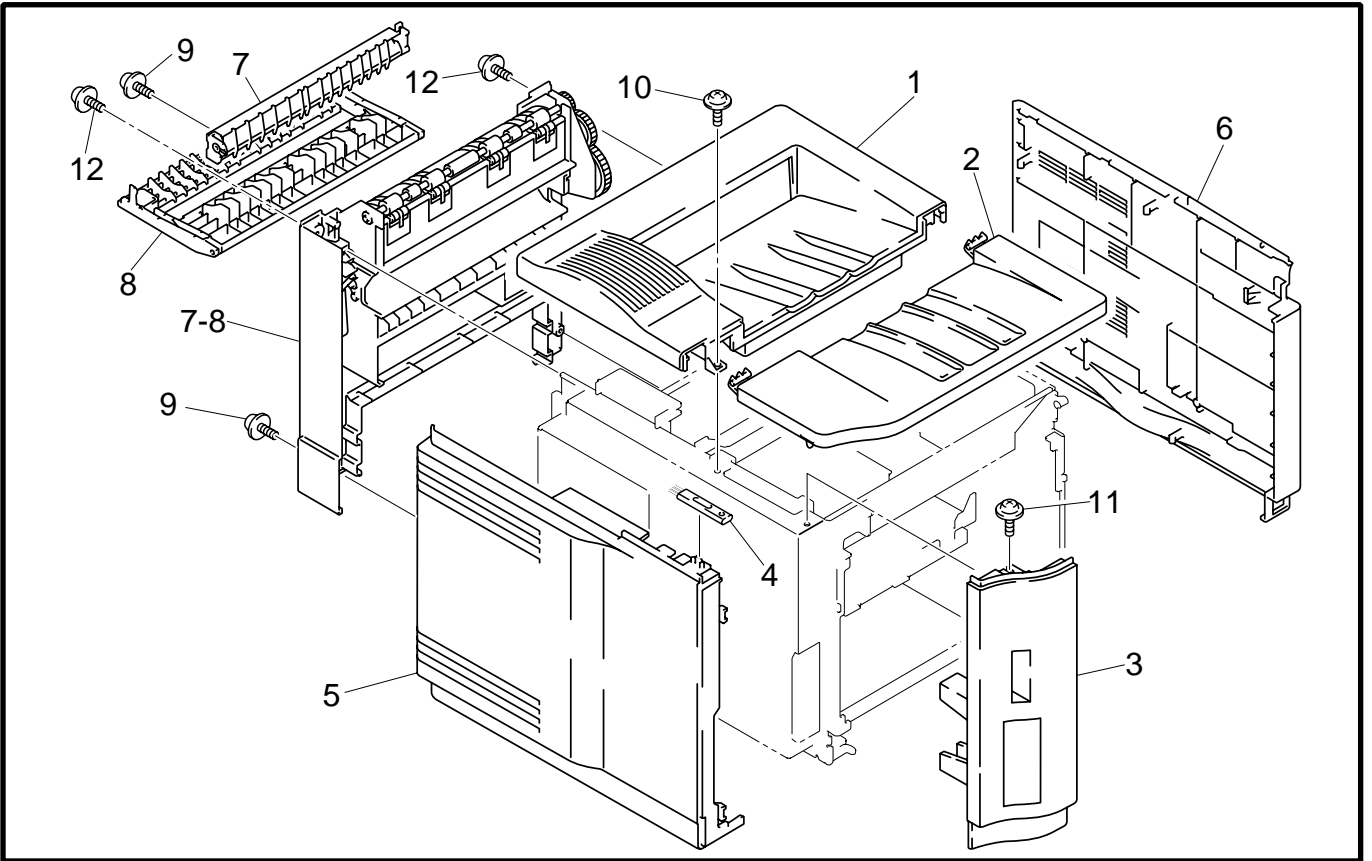
MODEL HL-1660e 54T-U03-200

7. LOW-VOLTAGE POWER SUPPLY

REF.NO.	CODE	Q'TY	DESCRIPTION	SYMBOL	REMARK
1-2	UK2753001	1	LOW-VOLT PS PCB ASSY, 115VM(SP)	F1 F1 F2 F2	
1-2	UK2754001	1	LOW-VOLT PS PCB ASSY, 230VM(SP)		
1	UK2756001	1	GLASS FUSE, 10A-125VM (PS PCB 115VM) (SP)		
1	UK2759001	1	GLASS FUSE, 6A-250VM (PS PCB 230VM) (SP)		
2	UK2757001	1	GLASS FUSE, 5A-125VM (PS PCB 115VM) (SP)		
2	UK2760001	1	GLASS FUSE, 3A-250VM (PS PCB 230VM) (SP)		
3	087320616	6	TAPTITE, CUP S M3X6		

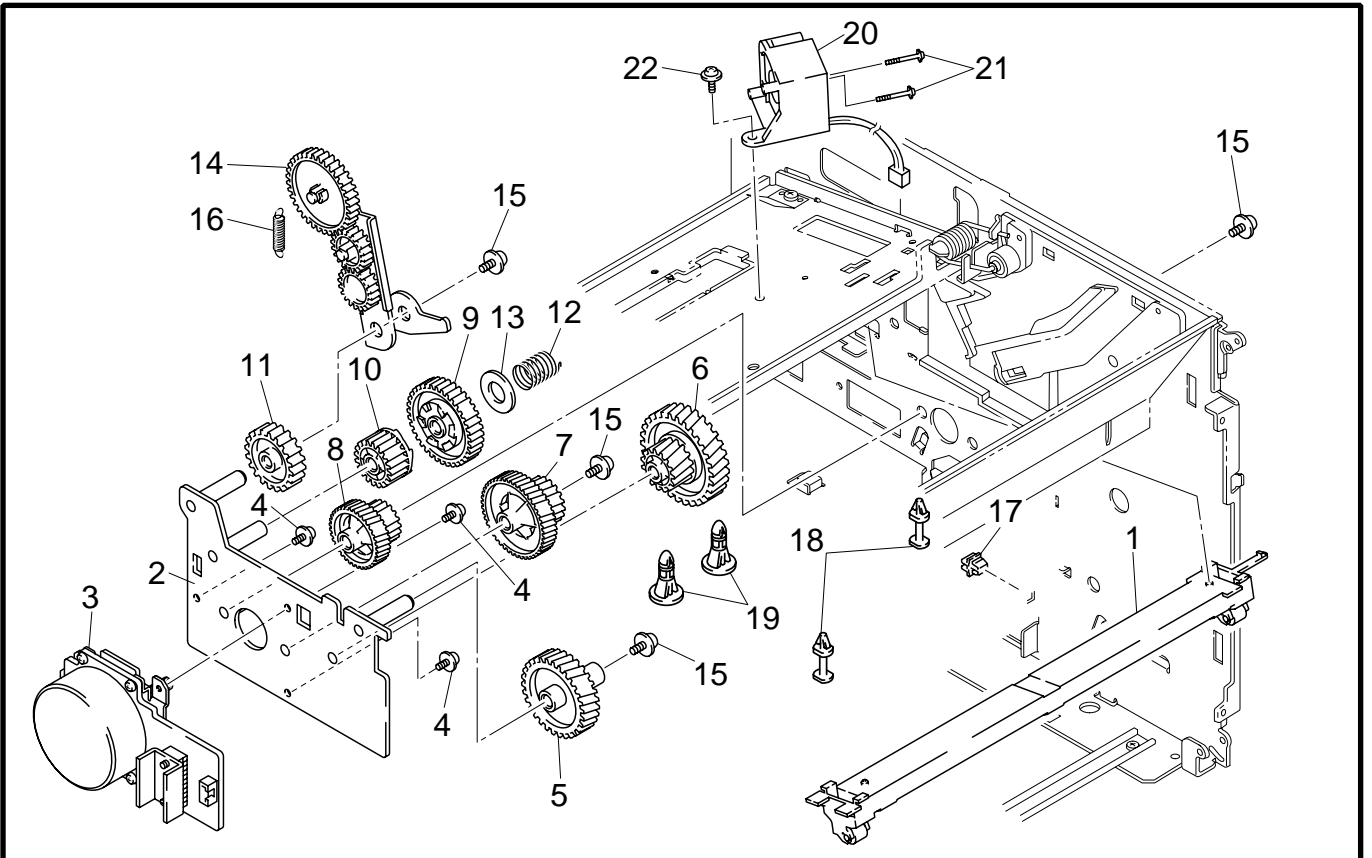
MODEL HL-1660e 54T-U03-300

8. COVERS



MODEL HL-1660e 54T-U03-400

9. CHASSIS



MODEL HL-1660e 54T-U03-500

8. COVERS

REF.NO.	CODE	Q'TY	DESCRIPTION	REMARK
1	UH2065001	1	UPPER COVER ASSY, GRAY1227	
2	UH2071001	1	TONER CARTRIDGE LID, GRAY1227	
3	UH2072001	1	FONT COVER ASSY, GRAY1227	
4	UH2076001	1	CLEANER BRUSH	
5	UH2077001	1	SIDE COVER L, GRAY1227	
6	UH2078001	1	SIDE COVER R, GRAY1227	
7-8	UH2082001	1	REAR COVER ASSY, GRAY1227	
7-8	UH2104001	1	REAR COVER ASSY, GRAY 1227(TMT-17)	
7	UH2085001	1	CHANGEOVER GUIDE, GRAY1227	
8	UH2103001	1	JAM REMOVE COVER, GRAY1227	
9	087320616	2	TAPTITE, CUP S M3X6	
10	087320616	1	TAPTITE, CUP S M3X6	
11	087320616	1	TAPTITE, CUP S M3X6	
12	087321016	2	TAPTITE, CUP S M3X10	

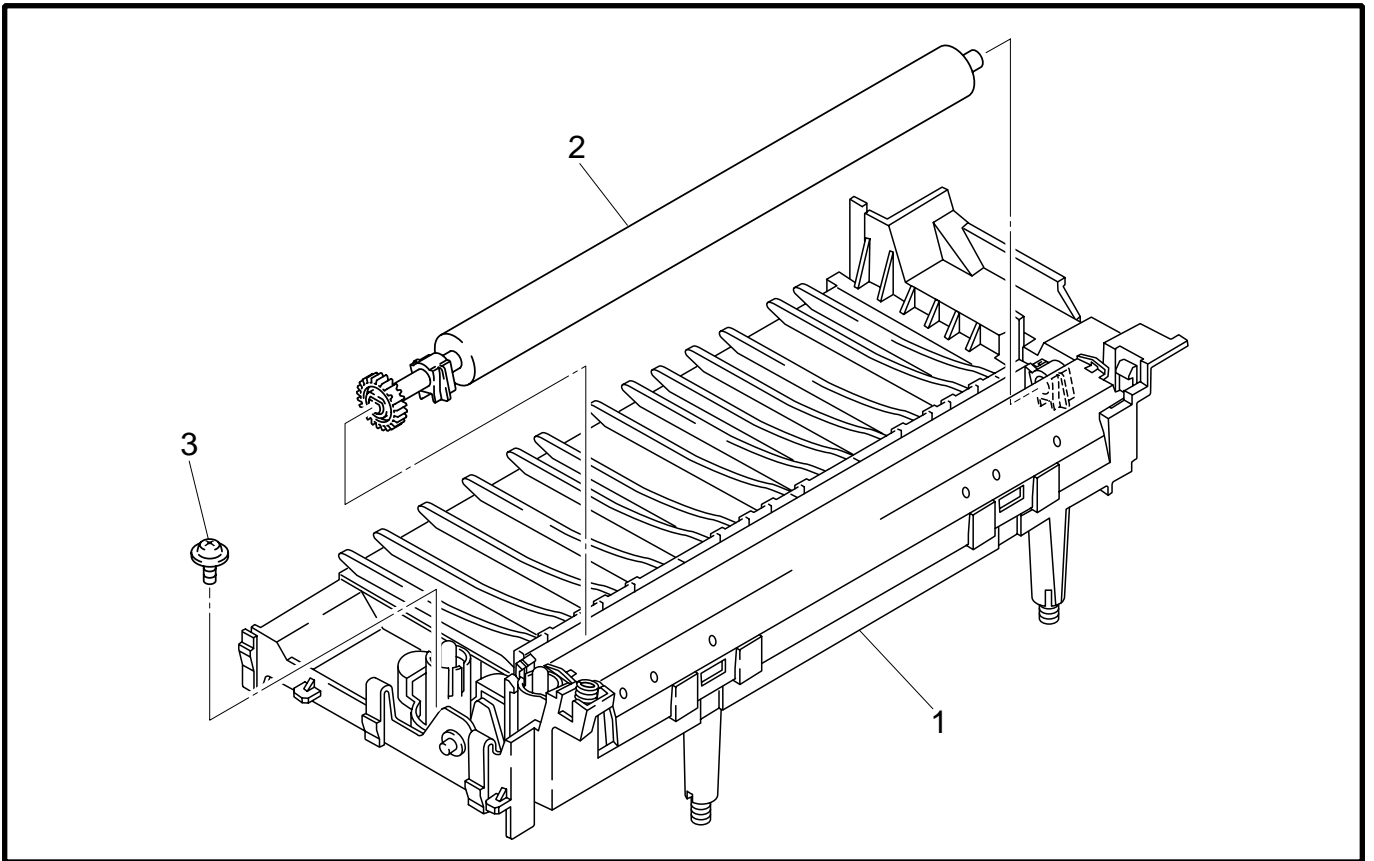
MODEL HL-1660e 54T-U03-400

9. CHASSIS

REF.NO.	CODE	Q'TY	DESCRIPTION	REMARK
1	UH2229001	1	CARTRIDGE STOPPER ASSY	
2	UH2233001	1	DC GEAR HOLDER ASSY	
3	UH2814001	1	DC MOTOR ASSY 2 (SP)	
4	087320616	3	TAPTITE, CUP S M3X6	
5	UH2238000	1	GEAR 39	
6	UH2239000	1	GEAR 20/50	
7	UH2240000	1	GEAR 24/72	
8	UH2241000	1	GEAR 22/55	
9	UH2242000	1	GEAR 48	
10	UH2243000	1	GEAR 21	
11	UH2244000	1	GEAR 28	
12	UH2245001	1	GEAR 48 SPRING	
13	026100136	1	WASHER, PLAIN S 10	
14	UH2255001	1	PAPER DELIVERY GEAR ASSY	
15	U74234001	4	TAPTITE, CUP M4X5	
16	UH2250001	1	PAPER DELIVERY HOLDER SPRING	
17	UH2252000	1	SPACER 2	
18	UH2254000	2	SPACER 1	
19	T31242001	2	PCB SPACER F	
20	UH2263001	1	SCANNER FAN MOTOR	
21	083313015	2	TAPTITE, PAN B M3X30	
22	087320616	1	TAPTITE, CUP S M3X6	

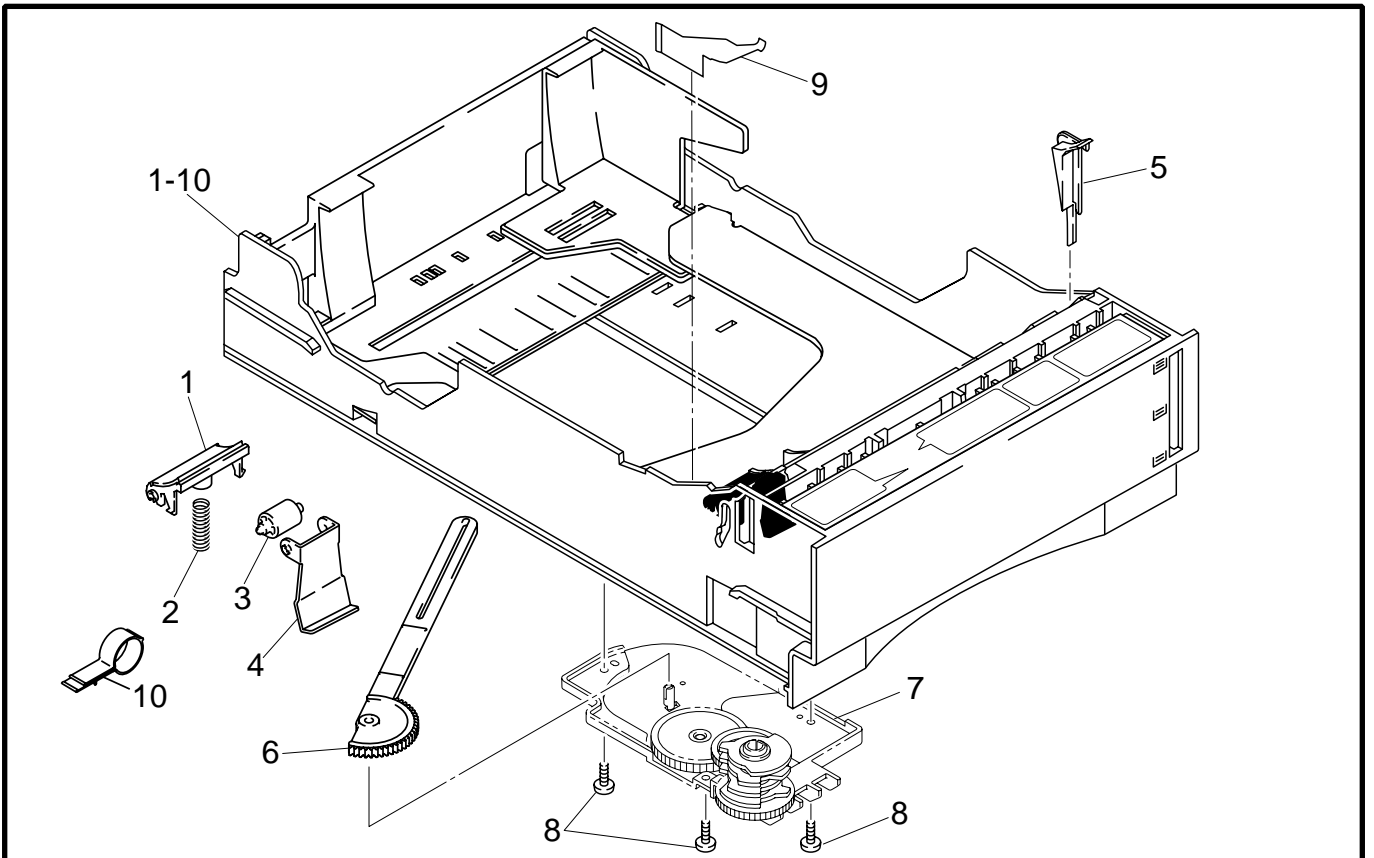
MODEL HL-1660e 54T-U03-500

10 . TRANSFER



MODEL HL-1660e 54T-U03-600

11 . PAPER TRAY



MODEL HL-1660e 54T-U03-650/651

10. TRANSFER

REF.NO.	CODE	Q'TY	DESCRIPTION	REMARK
1	UH2787001	1	TRANSFER BASE ASSY (SP)	
2	UH2788001	1	TRANSFER ROLLER ASSY (SP)	
3	087321016	1	TAPTITE, CUP S M3X10	

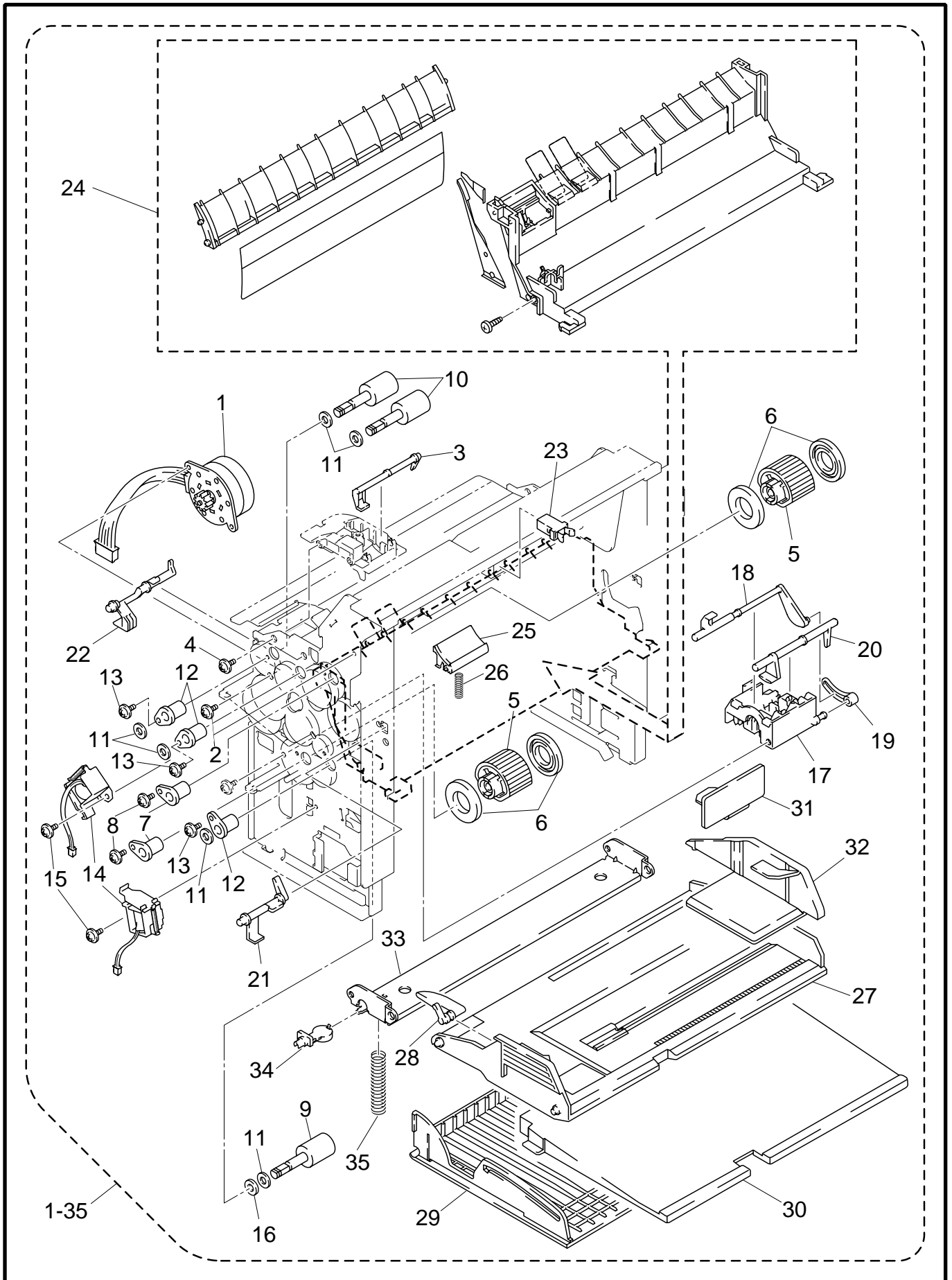
MODEL HL-1660e 54T-U03-600

11. PAPER TRAY

REF.NO.	CODE	Q'TY	DESCRIPTION	REMARK
1-10	UH2806001	1	PAPER TRAY UNIT SO, USA (SP) GRAY1227	
1-10	UH2799001	1	PAPER TRAY UNIT S, EUR (SP) GRAY1227	
1-10	UH2802001	1	PAPER TRAY UNIT S, CAN (SP) GRAY1227	
1	UH2487001	1	SEPARATION PAD ASSY T	
2	UH2841001	1	SEPARATION PAD SPRING 200	
3	UH2360000	1	ROLLER	
4	UH2459000	1	ROLLER HOLDER	
5	UH2469000	1	PAPER FRONT GUIDE, BLUE6155	
6	UH2463001	1	GEAR 56T LINK	
7	UH2465001	1	SIZE DRUM	
8	085310815	3	TAPTITE, BIND B M3X8	
9	UH2472001	1	TRAY GUIDE PLATE 1	
10	UH2804001	1	ADJUST KNOB STOPPER	

MODEL HL-1660e 54T-U03-650/651

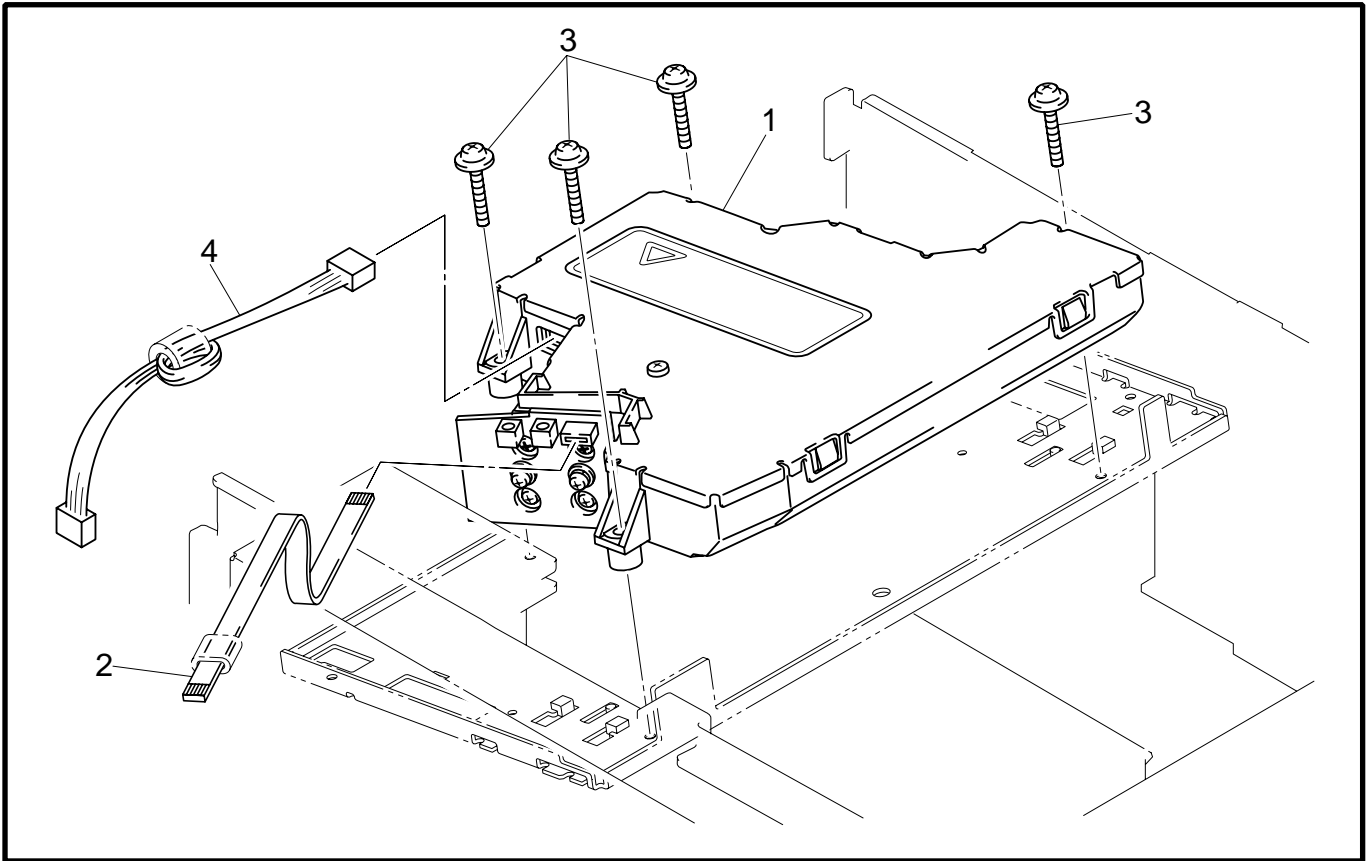
12 . PAPER FEEDER



12. PAPER FEEDER

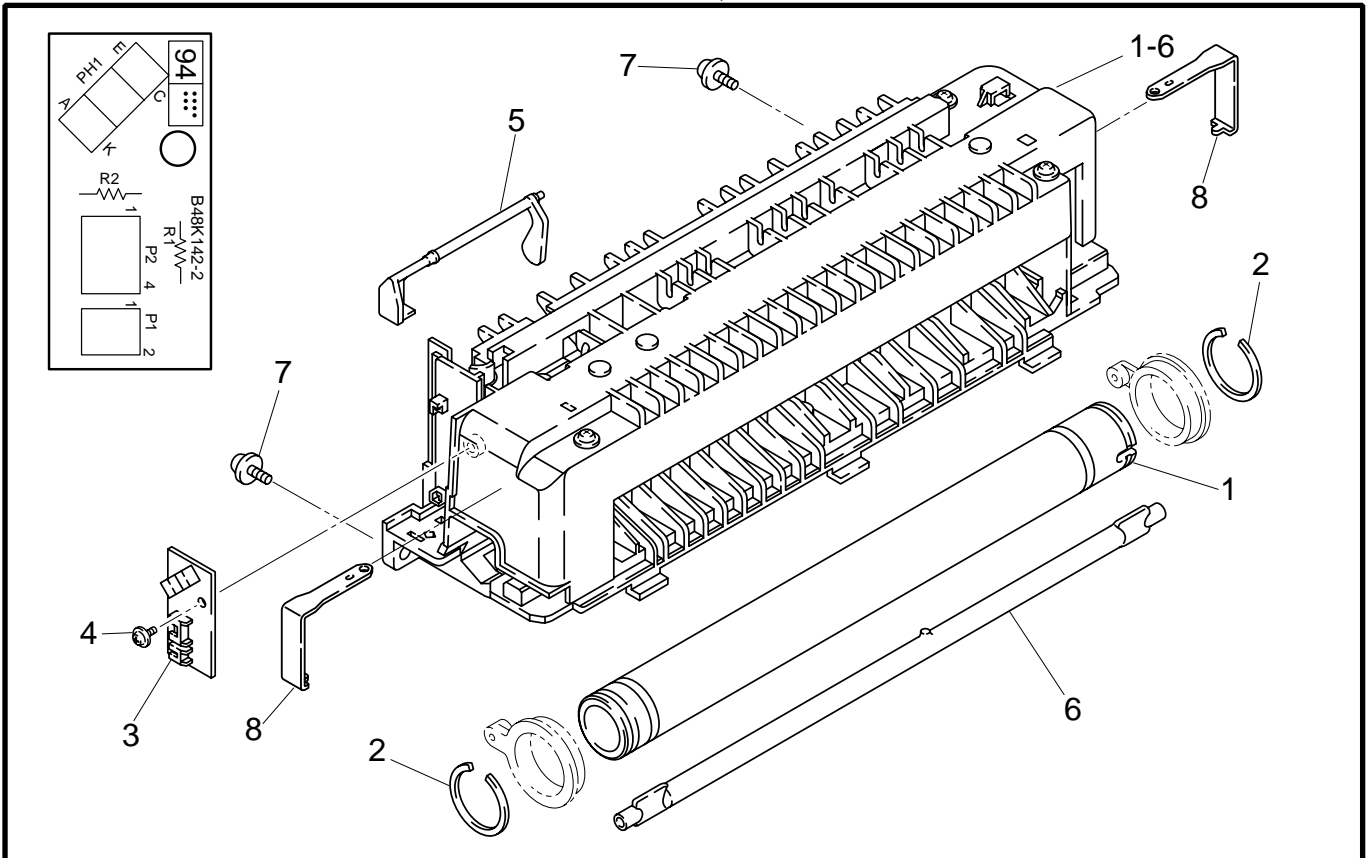
REF.NO.	CODE	Q'TY	DESCRIPTION	REMARK
1-35	UH2824001	1	PAPER FEED CHASSIS UNIT 2 (SP) (WITH PCB/SW SPRING/SCREW)	
1	UH2357001	1	PAPER FEED MOTOR ASSY	
2	087320616	2	TAPTITE, CUP S M3X6	
3	UH2359000	1	MP PAPER DETECTION ACTUATOR	
4	085310815	2	TAPTITE, BIND B M3X8	
5	UH2362001	2	PAPER PICK-UP ROLLER ASSY	
6	UH2364000	4	PAPER PICK-UP ROLLER COLLAR	
7	UH2366000	2	BEARING	
8	085320616	2	TAPTITE, BIND S M3X6	
9	UH2416001	1	PAPER FEED ROLLER ASSY 60	
10	UH2367001	2	PAPER FEED ROLLER ASSY 70	
11	UL0633000	6	WASHER, PLAIN	
12	UH2366000	3	BEARING	
13	085320616	3	TAPTITE, BIND S M3X6	
14	UH2369001	2	PAPER PICK-UP SOLENOID	
15	085320416	2	TAPTITE, BIND S M3X4	
16	UH2428000	1	BEARING CALLOR	
17	UH2379000	1	TRAY SENSOR HOLDER	
18	UH2380000	1	PE SENSOR ACTUATOR TRAY	
19	UH2381000	1	PE ACTUATOR LINK	
20	UH2382000	1	DU DETECTION ACTUATOR	
21	UH2383000	1	PE SENSOR ACTUATOR MP	
22	UH2384000	1	REGIST SENSOR ACTUATOR	
23	UH2136001	1	LATCH	
24	UH2797000	1	MP PAPER FEED GUIDE ASSY (SP)	
25	UH2393001	1	SEPARATION PAD ASSY	
26	UH2433001	1	SEPARATION PAD SPRING MP	
27	UH2397001	1	MP TRAY ASSY	
28	UH2400000	1	MP PE SUB ACTUATOR	
29	UH2406000	1	MP TRAY COVER	
30	UH2407000	1	MP EXTENSION TRAY	
31	UH2823001	1	SPACER	
32	UH2401000	1	MP PAPER GUIDE	
33	UH2402000	1	MP RELEASE PLATE	
34	UH2403000	1	MP RELEASE SUPPORTER	
35	UH2404000	1	MP SPRING	

13 . SCANNER



MODEL HL-1660e 54T-U03-700

14 . FIXING UNIT, 120V/230V



MODEL HL-1660e 54T-U03-770/771

13. SCANNER

REF.NO.	CODE	Q'TY	DESCRIPTION	REMARK
1	UH2815001	1	SCANNER UNIT ASSY C (SP)	
2	UK2503000	1	SCN FLAT CABLE 6P	
3	087321616	4	TAPTITE, CUP S M3X16	
4	UK3254001	1	POLYGON HARNESS 5P	

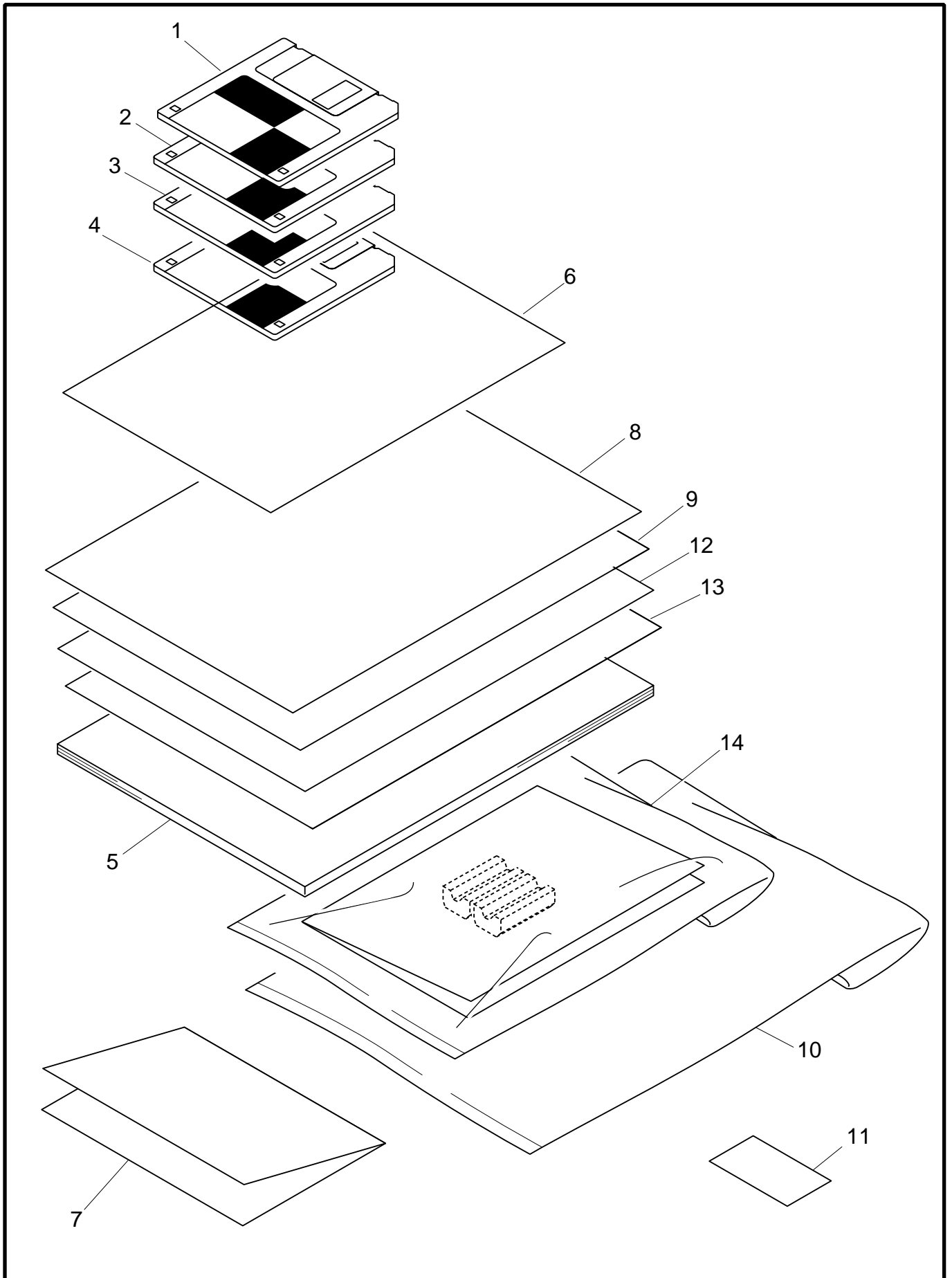
MODEL HL-1660e 54T-U03-700

14. FIXING UNIT, 120V/230V

REF.NO.	CODE	Q'TY	DESCRIPTION	SYMBOL	REMARK
1-6	UH2816001	1	FIXING UNIT, 120V C (SP)		
1-6	UH2817001	1	FIXING UNIT, 230V C (SP)		
1	UH2793001	1	HEAT ROLLER (SP)		
2	UH2608001	2	RETAINING RING, 25		
3	UK2451001	1	FIXING PCB ASSY	B48K142-200	
4	085310815	1	TAPTITE, BIND B M3X8		
5	UH2623001	1	PAPER DELIVERY ACTUATOR		
6	UH2794001	1	HALOGEN HEATER, 120V (SP)		
6	UH2795001	1	HALOGEN HEATER, 230V (SP)		
7	087421015	2	TAPTITE, CUP S M4X10		
8	UH2619001	2	HEATER SUPPORT SPRING		

MODEL HL-1660e 54T-U03-770/771

15 .DOCUMENTS

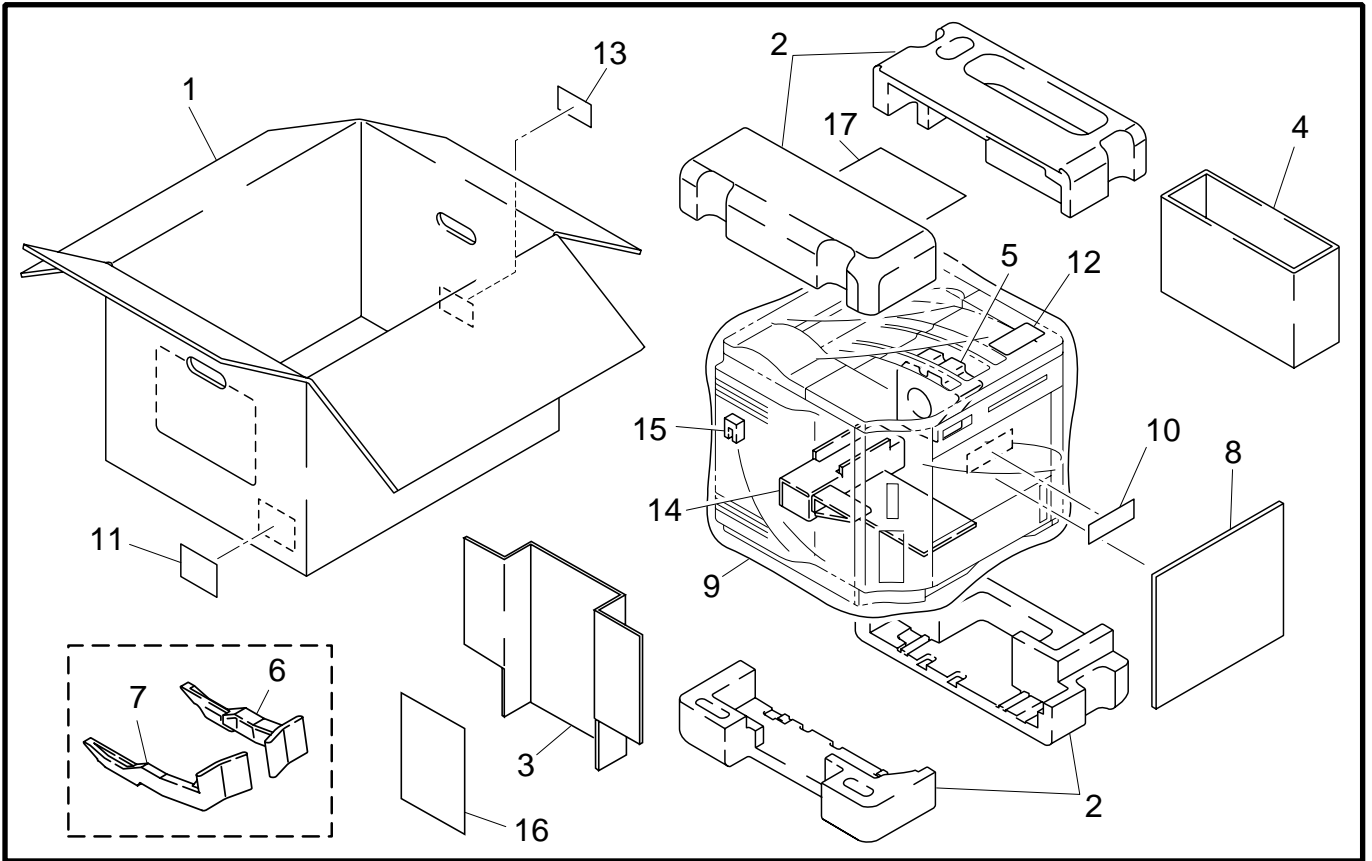


15. DOCUMENTS

REF.NO.	CODE	Q'TY	DESCRIPTION	REMARK
1	UK3811001	1	PR DRIVER DISK #1, HL-1660e(FIRST PART 1/2)	
2	UK3813001	1	PR DRIVER DISK #2, HL-1660e (LATTER PART 2/2)	
3	UK3676001	1	PR DRIVER DISK #3, HL-1660e(E-mail Print)	
4	UK3817001	1	OP EXPLANATION DISK, ENG (HL-1660e)	
4	UK3819001	1	OP EXPLANATION DISK, GER (HL-1660e)	
4	UK3821001	1	OP EXPLANATION DISK, FRA (HL-1660e)	
4	UK3823001	1	OP EXPLANATION DISK, DUTCH (HL-1660e)	
4	UK3825001	1	OP EXPLANATION DISK, NOR (HL-1660e)	
4	UK3827001	1	OP EXPLANATION DISK, ITA (HL-1660e)	
5	UH1413001	1	USER'S MANUAL, ENG (HL-1660e)	
5	UH1414001	1	USER'S MANUAL, GER (HL-1660e)	
5	UH1415001	1	USER'S MANUAL, FRA (HL-1660e)	
5	UH1416001	1	USER'S MANUAL, DUTCH (HL-1660e)	
5	UH1417001	1	USER'S MANUAL, NOR (HL-1660e)	
5	UH1418001	1	USER'S MANUAL, ITA (HL-1660e)	
6	UH1419001	1	PR DRIVER SET UP, ENG (HL1660e)	
6	UH1420001	1	PR DRIVER SET UP, GER (HL1660e)	
6	UH1421001	1	PR DRIVER SET UP, FRA (HL1660e)	
6	UH1422001	1	PR DRIVER SET UP, DUTCH (HL1660e)	
6	UH1423001	1	PR DRIVER SET UP, NOR (HL1660e)	
6	UH1424001	1	PR DRIVER SET UP, ITA (HL1660e)	
7	UH2717001	1	WARRANTY CARD, USA	
7	UH2693001	1	WARRANTY CARD, CAN	
7	UL7581001	1	WARRANTY CARD, FRA2	
7	237703001	1	WARRANTY CARD, DUTCH	
8	UH2716001	1	ACCESSORY ORDER FORM	
8	UH3294001	1	ACCESSORY ORDER FORM CANADA	
9	UL7426001	1	SC INSERTION SHEET, USA	
10	UE0331001	1	BAG, 215X350H (USER'S MANUAL)	
11	163528001	1	CAUTION LABEL, BS	
12	UH1437001	1	USB INSERTION SHEET	
13	UH1425001	1	SIMM INSERTION SHEET, ENG (HL1660e)	
13	UH1426001	1	SIMM INSERTION SHEET, GER (HL1660e)	
13	UH1427001	1	SIMM INSERTION SHEET, FRA (HL1660e)	
13	UH1428001	1	SIMM INSERTION SHEET, DUTCH (HL1660e)	
13	UH1429001	1	SIMM INSERTION SHEET, NOR (HL1660e)	
13	UH1430001	1	SIMM INSERTION SHEET, ITA (HL1660e)	
14	UK3741001	1	CORE ESD-SR-25 ASSY (For USB)	

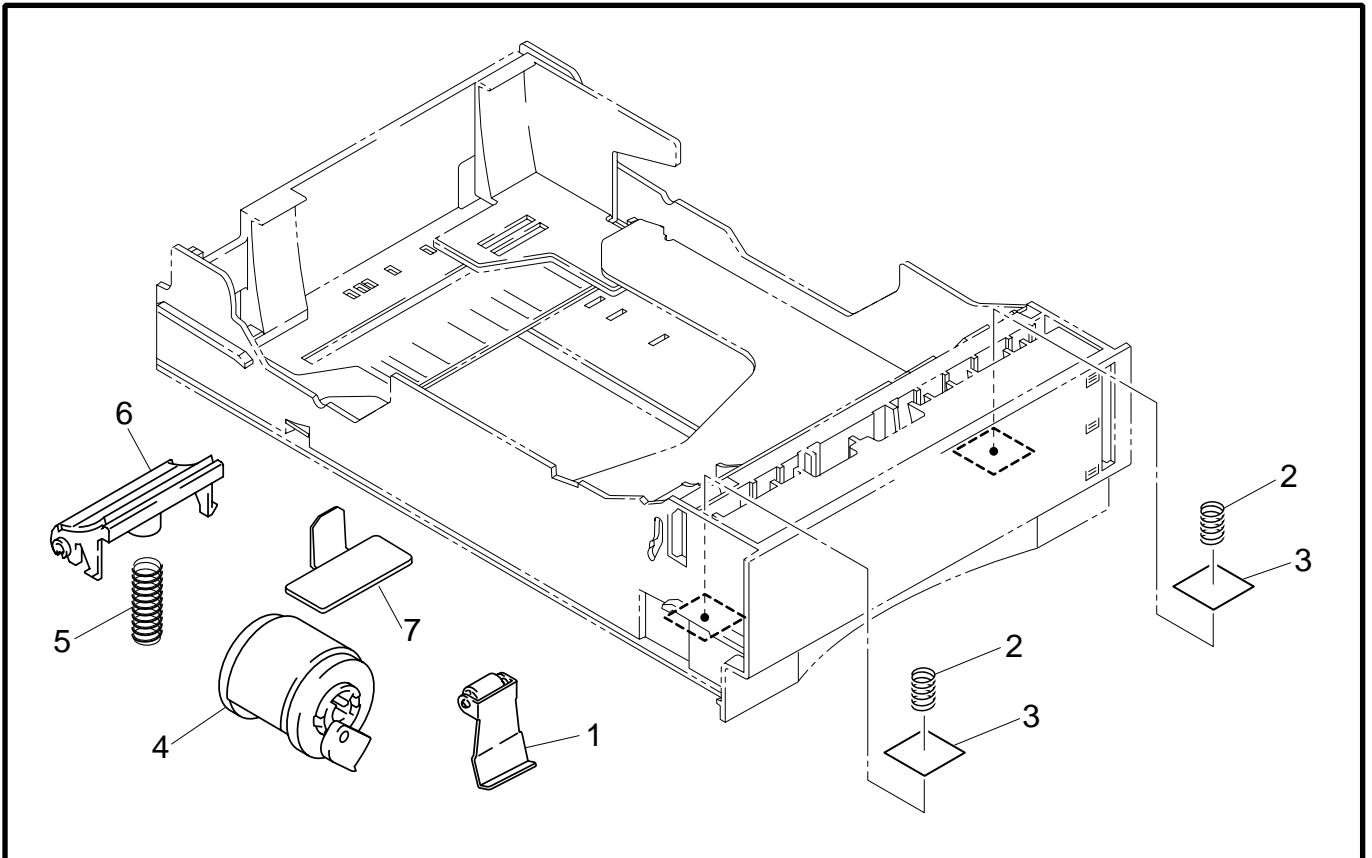
MODEL HL-1660e 54T-U03-920

16 . PACKING MATERIALS



MODEL HL-1660e 54T-U03-930

17 . OPTIONAL PARTS SET



MODEL HL-1660e 54T-U03-940

16. PACKING MATERIALS

REF.NO.	CODE	Q'TY	DESCRIPTION	REMARK
1	UE0367000	1	CARTON, C-NO BRAND	
1	UE0637001	1	CARTON, C-USA H	
1	UE0638001	1	CARTON, C-EUR H	
2	UE0370000	1	STYROFOAM PAD ASSY	
3	UE0373000	1	PAD	
4	UE0374000	1	CARTON, TNR CARTRIDGE (W/EP-ED)	
4	UE0476000	1	CARTON, TNR CARTRIDGE (WO/EP-ED)	
5	UE0376000	1	STYROFOAM PAD (PLATE HOLDER)	
6	UH2735001	1	RELEASE SPACER R	
7	UH2736001	1	RELEASE SPACER L	
8	UE0396000	1	PAD (CONTROL PANEL)	
9	UE0477000	1	BAG, 900X800 (BODY)	
9	U63969000	1	BAG, 900X800 BS W/HOLE (BODY)	
10	U62092001	1	CAUTION LABEL 24, US	
10	163528001	1	CAUTION LABEL, BS	
11	U04510001	1	IMPORTER LABEL, CAN	
12	X60267002	1	RECYCLE LABEL, DEU/FRA	
13	UH1440001	1	BAR CODE LABEL, 525110 UPC USA	
13	UH1441001	1	BAR CODE LABEL, 526371 EAN EUR	
13	UH1442001	1	BAR CODE LABEL, 525127 UPC USA (GENERIC)	
14	UE0405000	1	PAD (LETTER SIZE TRAY)	
14	UE0406000	1	PAD (A4 SIZE TRAY)	
15	UE0425001	1	POSITION FIXING SPONGE	
16	UH2741001	1	INSERTION SHEET	
17	UH3373001	1	NO RTN FORM, USA	
17	UH3295001	1	RNT FORM, CAN	

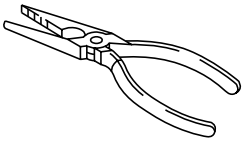
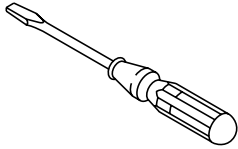
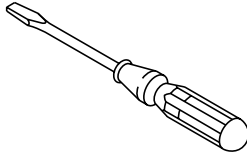
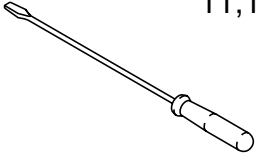
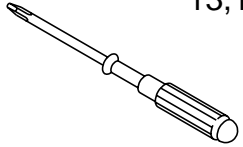
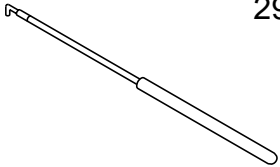
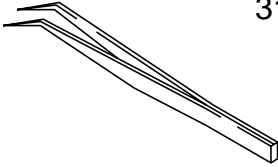
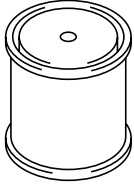
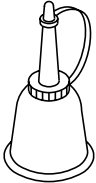
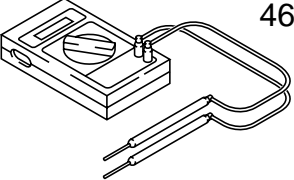
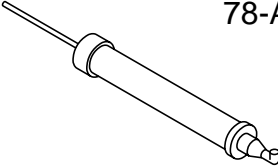
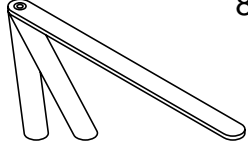
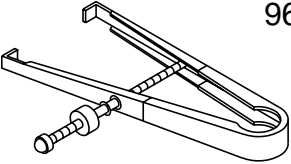
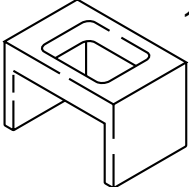
MODEL HL-1660e 54T-U03-930

17. OPTIONAL PARTS SET

REF.NO.	CODE	Q'TY	DESCRIPTION	REMARK
1	UH2499001	1	ROLLER HOLDER SO ASSY (SP)	
2	UH2498001	2	TRAY PUSH SPRING ELT (SP)	
3	UH2477000	2	TRAY PUSH SPRING FILM ELT (SP)	
4	UH2803001	1	PAPER PICK-UP ROLLER UNIT (SP) (For swing type)	
4	UH2820001	1	PAPER PICK-UP ROLLER UNIT 2 (SP) (For slide type)	
5	UH1778000	1	SEPARATION PAD SPRING DX (SP)	
6	UH1772001	1	SEPARATION PAD DX ASSY (SP)	
7	UH2823001	1	SPACER	

MODEL HL-1660e 54T-U03-940

18 . ADJUSTING TOOL KIT

 <p>1</p>	 <p>9</p>	 <p>10</p>	 <p>11,12</p>
 <p>13,14</p>	 <p>29</p>	 <p>31</p>	 <p>43-D,N,O</p>
 <p>44</p>	 <p>46</p>	 <p>78-A</p>	 <p>87</p>
 <p>96</p>	 <p>164</p>		

18. ADJUSTING TOOL KIT

TOOL NO.	TOOL NAME	REMARK
ZX-1	PLIERS (150MM)	
ZX-9	SCREWDRIVER (75MM)	
ZX-10	SCREWDRIVER (70MM)	
ZX-11	SCREWDRIVER (4.7X270MM)	
ZX-12	SCREWDRIVER, (6.2X200MM)	
ZX-13	SCREWDRIVER, PHILLIPS (NO-1)	
ZX-14	SCREWDRIVER, PHILLIPS (NO-2)	
ZX-29	HOOK FOR SPRING	
ZX-31	TWEEZERS (150MM)	
ZX-43D	LUBRICATING GREASE(SILICON G,KS64F 0.1KG)	
ZX-43N	LUBRICATING GREASE(MOLYKOTE EM-30L TKC-0) 1KG	
ZX-43O	LUBRICATING GREASE(MOLYKOTE D110) 1KG	
ZX-44	OILER	
ZX-46	TESTER (MD-200C)	
ZX-78A	BAR TENSION GAUGE (0.1-5KG)	
ZX-87	THICKNESS GAUGE (0.28-0.38MM)	
ZX-96	IC PULL OUT (P42)	
ZX-164	PF UNIT SETTING JIG	