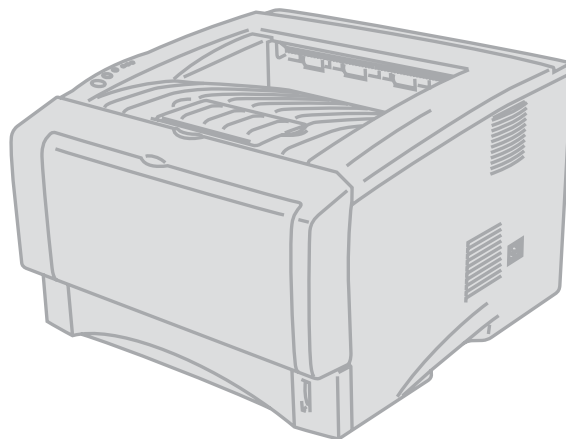




# Brother Laser Printer **PARTS REFERENCE LIST**

---

**MODEL:  
HL-5030/5040/5050/5070N**



Read this list thoroughly before maintenance work.

Keep this list in a convenient place for quick and easy reference at all times.

## NOTE FOR USING THIS PARTS REFERENCE LIST

1. In the case of ordering parts, it needs mentioning the following items:

- (1) Code
- (2) Q'ty
- (3) Description
- (4) Symbol ( PCB No., Revision , and Parts location mounted on the PCB.)

*Note : No orders without Parts Code or Tool No. can be accepted.*

< Example >

	(1) CODE	(2) Q'TY	(3) DESCRIPTION	(4) SYMBOL	REMARK

Revision No.: marked on the **main printed circuit board**.

**B48K056 – 201 A**



Revision No.: marked on the **power supply printed circuit board**.

**Rev. A**



2. Design-changed parts :

If the parts are changed, any one of the following symbols is indicated in the REMARKS column.

CNG(cng) : The part is changed to a new part.

ADD(add) : The part is newly added.

DEL(del) : The part is deleted.

Symbol in capital letters indicates that the change is the latest one in the page.

3. The original of this list was made based on the information available in January 2003.

4. Parts are subject to change in design without prior notice.

1. FRAME L/ DRIVE UNIT

REF.NO.	CODE	QTY	DESCRIPTION	SYMBOL	REMARK
1	LJ7695001	1	MAIN FRAME L UNIT 30		
1	LJ7363001	1	MAIN FRAME L UNIT 40		
1	LJ7603001	1	MAIN FRAME L UNIT 50		
1	LJ7692001	1	MAIN FRAME L UNIT 70N		
1-1	LJ7381001	1	MAIN MOTOR ASSY ZL2		
1-2	LJ7386001	1	F/R SOLENOID ASSY		
1-3	LJ7391001	1	P/R SOLENOID ASSY		
1-4	LJ5014001	1	SOLENOID RELEASE SPRING P/R		
1-5	LJ9166001	1	TONER LED PCB UNIT ASSY ZL2	B512156-200	
1-6	LJ7403001	2	RUBBER FOOT		
1-7	LG3218001	1	DOCUMENT COVER SENSOR		
1-8	LJ7784001	1	SENSOR CLIP		

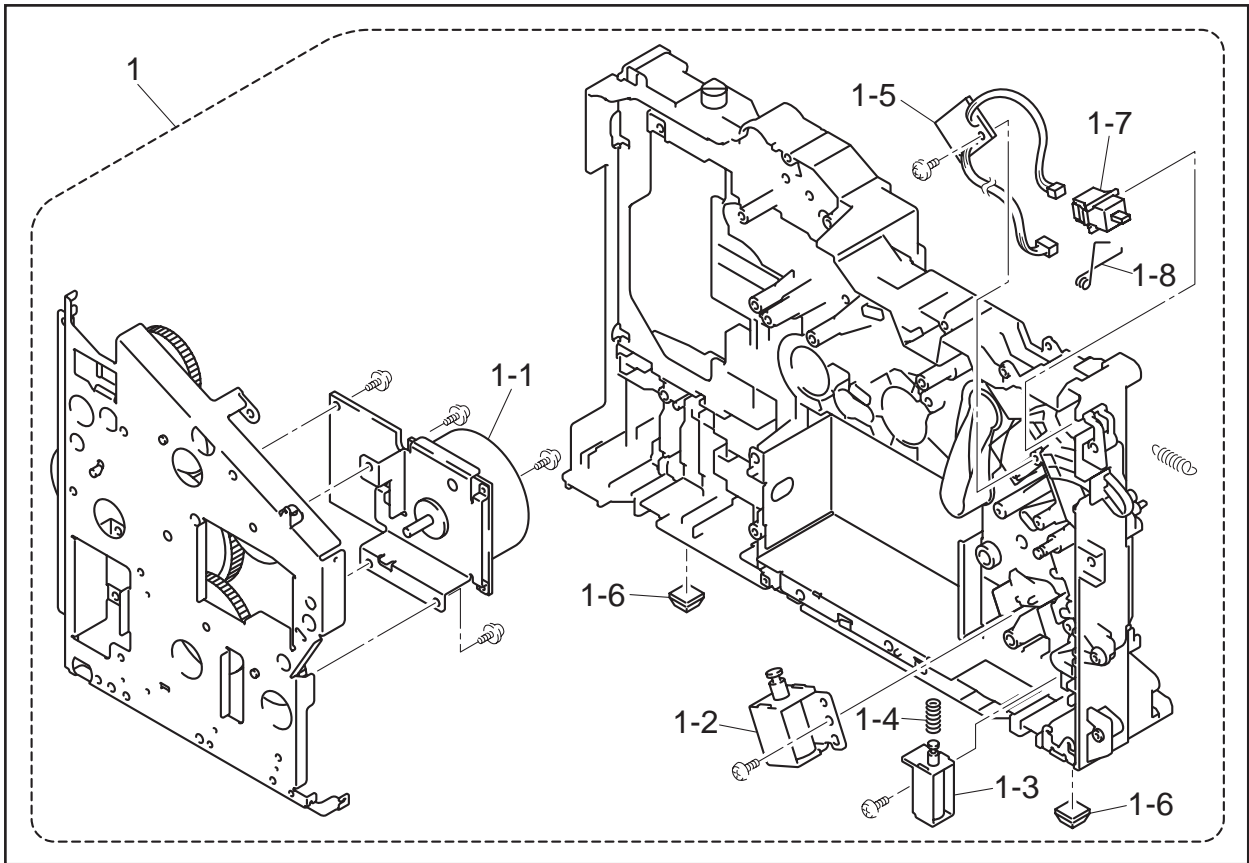
MODEL HL-5030/5040/5050/5070N/5050LT US 84U-Z41/Z42/Z43/Z44/Z46-010

2. FRAME R UNIT

REF.NO.	CODE	QTY	DESCRIPTION	SYMBOL	REMARK
1	LJ7473001	1	MAIN FRAME R UNIT		
1-1	LJ9193001	1	TONER SNSOR PCB UNIT ZL2	B512084-101	
1-2	LJ7403001	2	RUBBER FOOT		

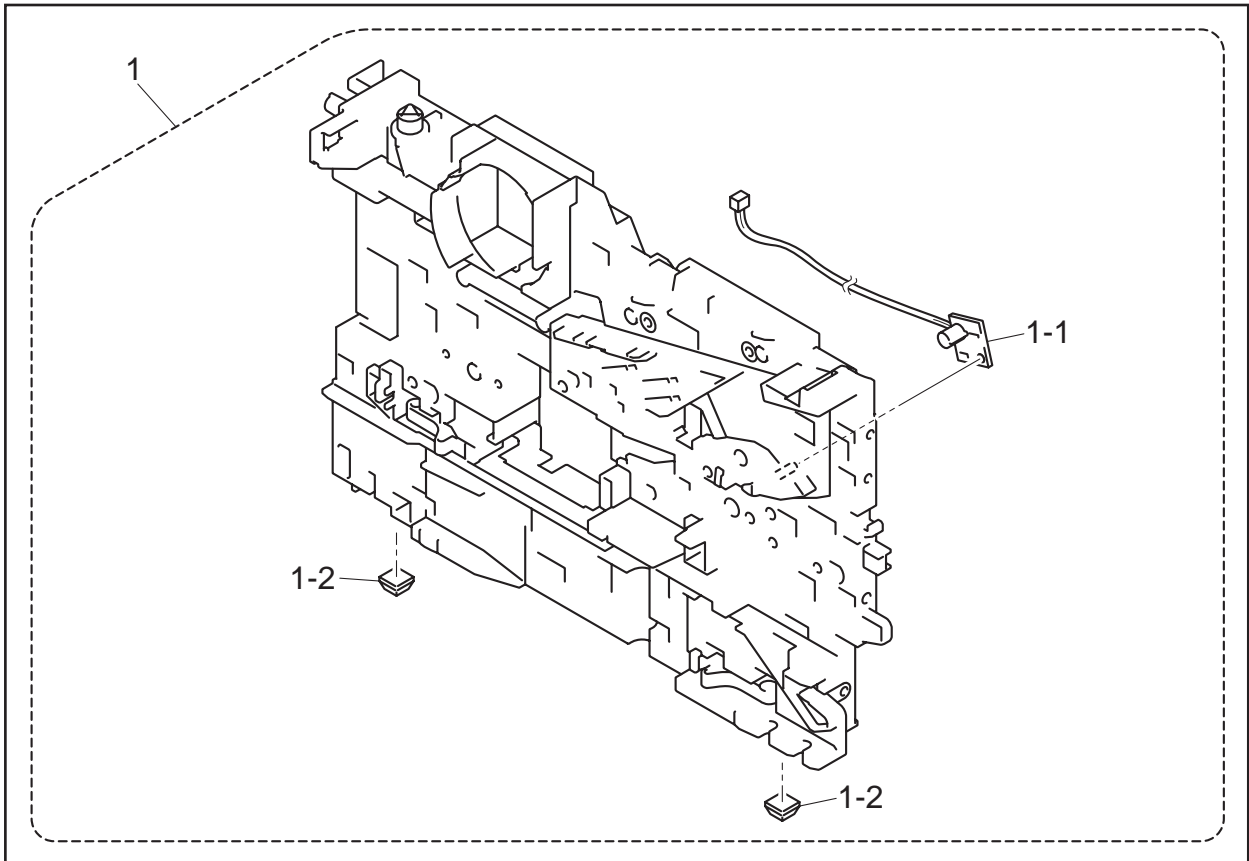
MODEL HL-5030/5040/5050/5070N/5050LT US 84U-Z41/Z42/Z43/Z44/Z46-011

## 1. FRAME L / DRIVE UNIT



MODEL HL-5030/5040/5050/5070N/5050LT US 84U-Z41/Z42/Z43/Z44/Z46-010

## 2. FRAME R



MODEL HL-5030/5040/5050/5070N/5050LT US 84U-Z41/Z42/Z43/Z44/Z46-011

### 3. FRAME UNIT

REF.NO.	CODE	Q'TY	DESCRIPTION	REMARK
1	LJ7490001	1	GROUND SPRING	
2	LJ7492001	1	FILTER	
3	LJ7496001	1	SPRING, EXTENSION P/R	
4	LJ7501001	1	MIDDLE ROLLER GEAR	
5	LJ7502001	1	IDLE GEAR 22	
6	LJ7504001	1	GROUND WIRE	
7	LJ7505001	1	FAN MOTOR 60 UNIT LV	
8	LJ7508001	1	FAN MOTOR 60 UNIT	
9	LJ7579001	1	MP SOLENOID HOLDER UNIT	

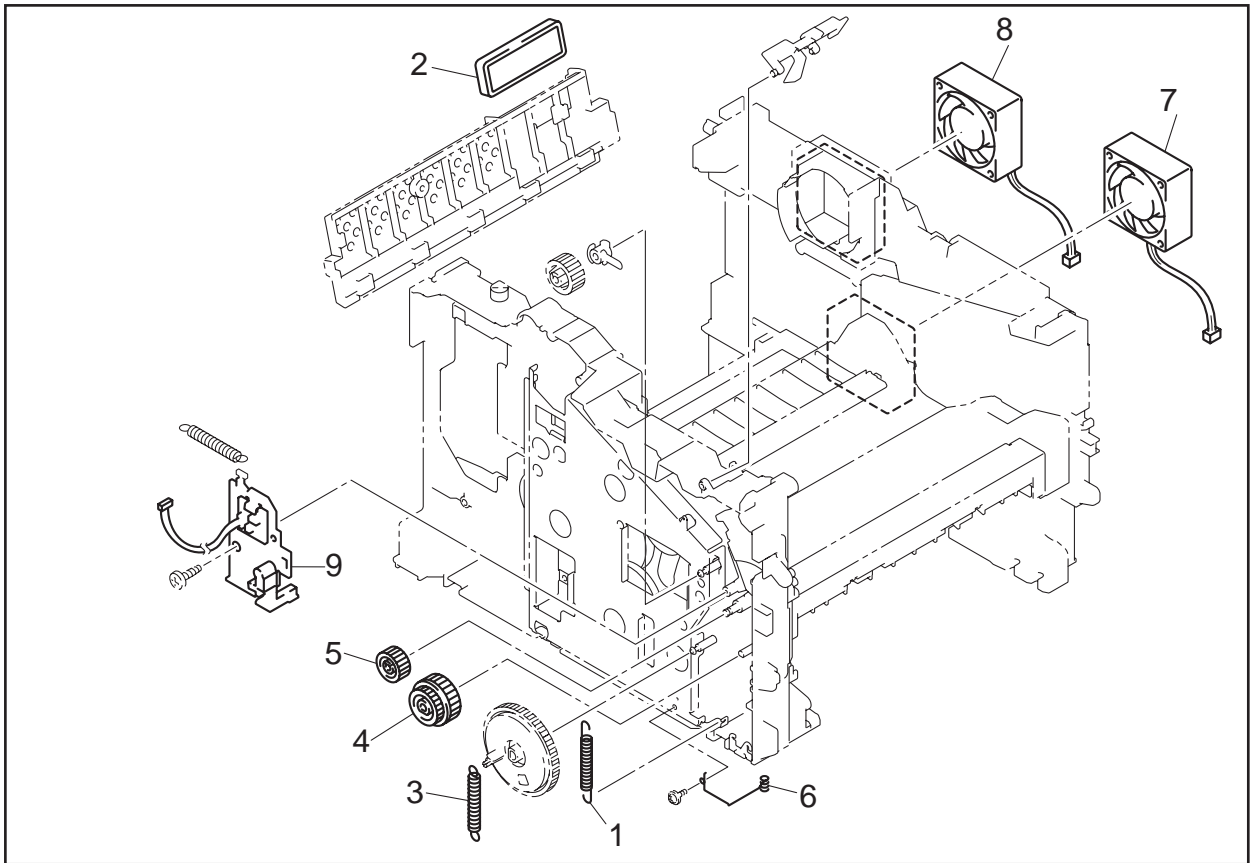
MODEL HL-5030/5040/5050/5070N/5050LT US 84U-Z41/Z42/Z43/Z44/Z46-012

### 4. LASER UNIT

REF.NO.	CODE	Q'TY	DESCRIPTION	REMARK
1	LJ7899001	1	LASER UNIT ZL2 (SP)	
2	085310815	6	TAPTITE, BIND B M3X8	

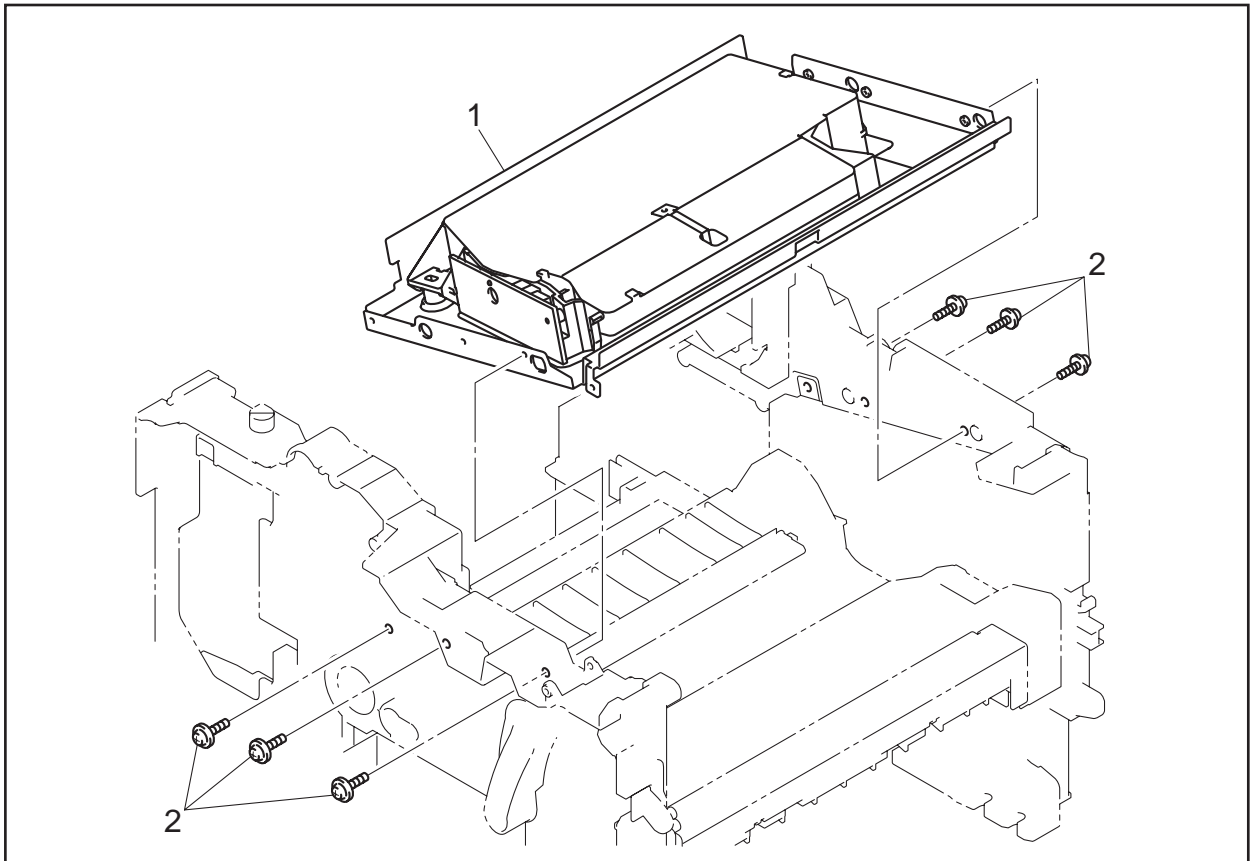
MODEL HL-5030/5040/5050/5070N/5050LT US 84U-Z41/Z42/Z43/Z44/Z46-020

### 3. FRAME UNIT



MODEL HL-5030/5040/5050/5070N/5050LT US 84U-Z41/Z42/Z43/Z44/Z46-012

### 4. LASER UNIT



MODEL HL-5030/5040/5050/5070N/5050LT US 84U-Z41/Z42/Z43/Z44/Z46-020

5. PAPER FEEDER

REF.NO.	CODE	Q'TY	DESCRIPTION	SYMBOL	REMARK
1	LJ7322001	1	REGIST FRONT ACTUATOR	B512095-101	
2	LJ7323001	1	REGIST FRONT ACTUATOR SPRING		
3	LJ7324001	1	REGIST REAR ACTUATOR		
4	LJ7325001	1	REGIST REAR ACTUATOR SPRING		
5	LJ7703001	1	PAPER PICK-UP ROLLER ASSY ZL2		
6	LJ7708001	1	PE ACTUATOR ZL2		
7	LJ9235001	1	CASSETTE SENSOR PCB ASSY ZL2		
8	LJ5155001	1	CA ACTUATOR		

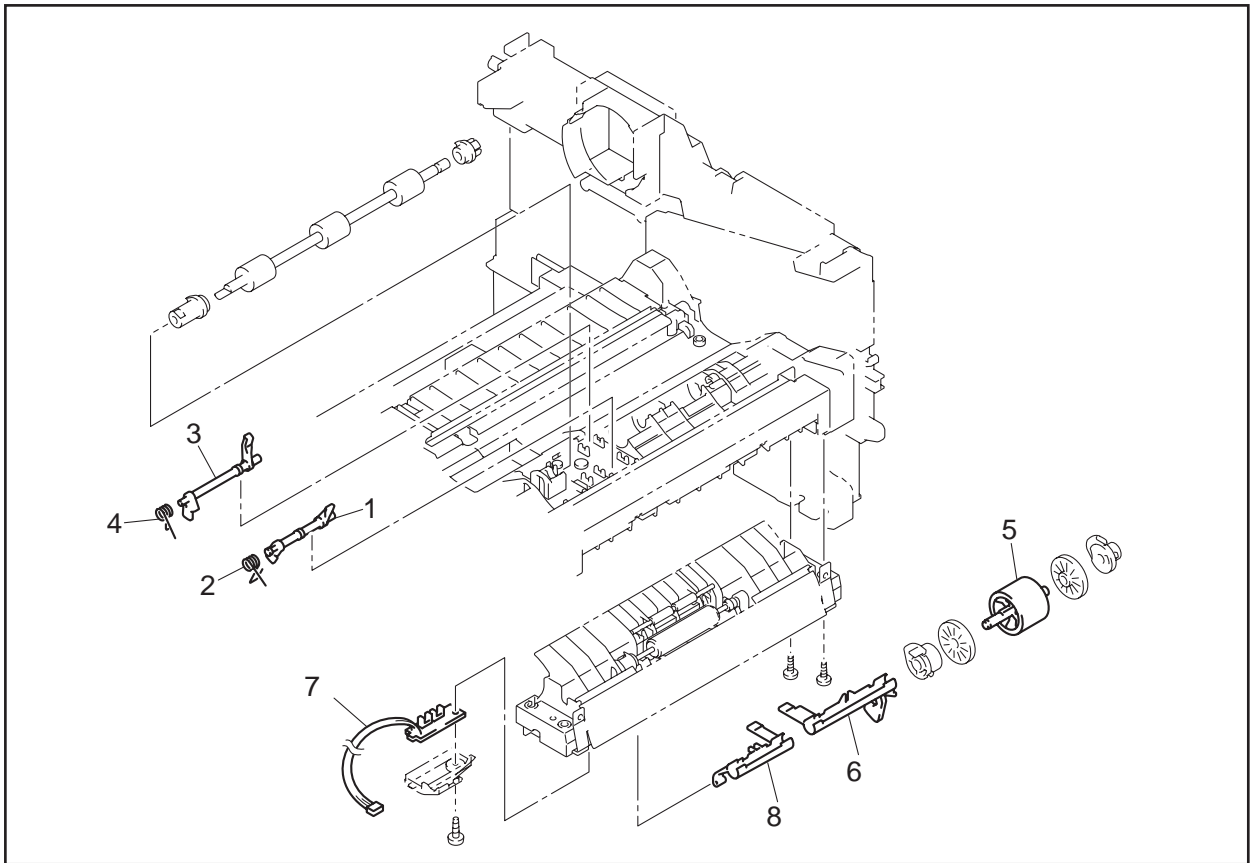
MODEL HL-5030/5040/5050/5070N/5050LT US 84U-Z41/Z42/Z43/Z44/Z46-151

6. MP UNIT

REF.NO.	CODE	Q'TY	DESCRIPTION	SYMBOL	REMARK
1	LJ7551001	1	MP UNIT ASSY	B512107-112	CHG
1-1	LJ7555001	1	SEPARATION PLATE ASSY		
1-2	LM2050001	1	PAPER PICK-UP ROLLER ASSY (SP)		
1-3	LJ7571001	1	MP-PE ACTUATOR		
1-4	LJ9222001	1	MP-PE SENSOR PCB ASSY ZL2		

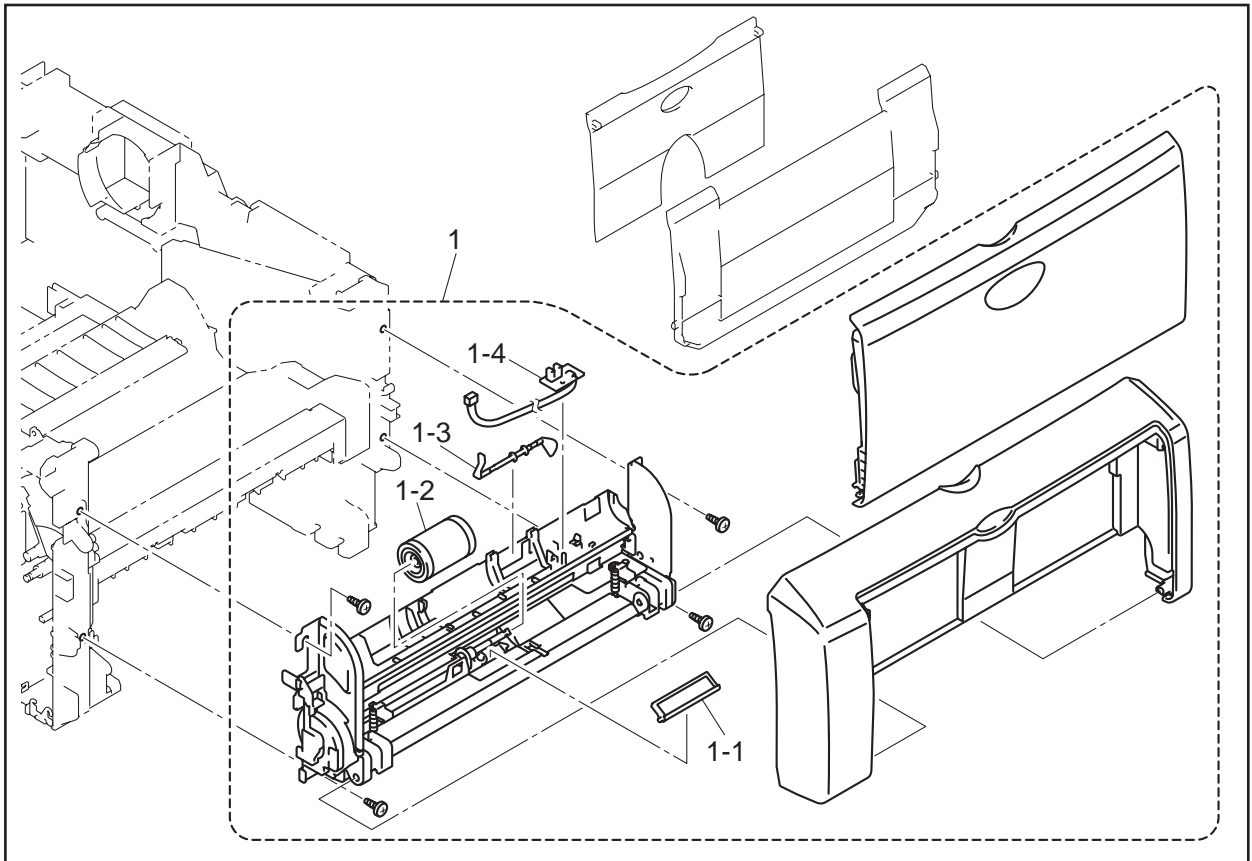
MODEL HL-5050/5070N/5050LT US 84U-Z43/Z44/Z46-200

## 5. PAPER FEEDER



MODEL HL-5030/5040/5050/5070N/5050LT US 84U-Z41/Z42/Z43/Z44/Z46-151

## 6. MP UNIT



MODEL HL-5030/5040/5050/5070N/5050LT US 84U-Z41/Z42/Z43/Z44/Z46-200

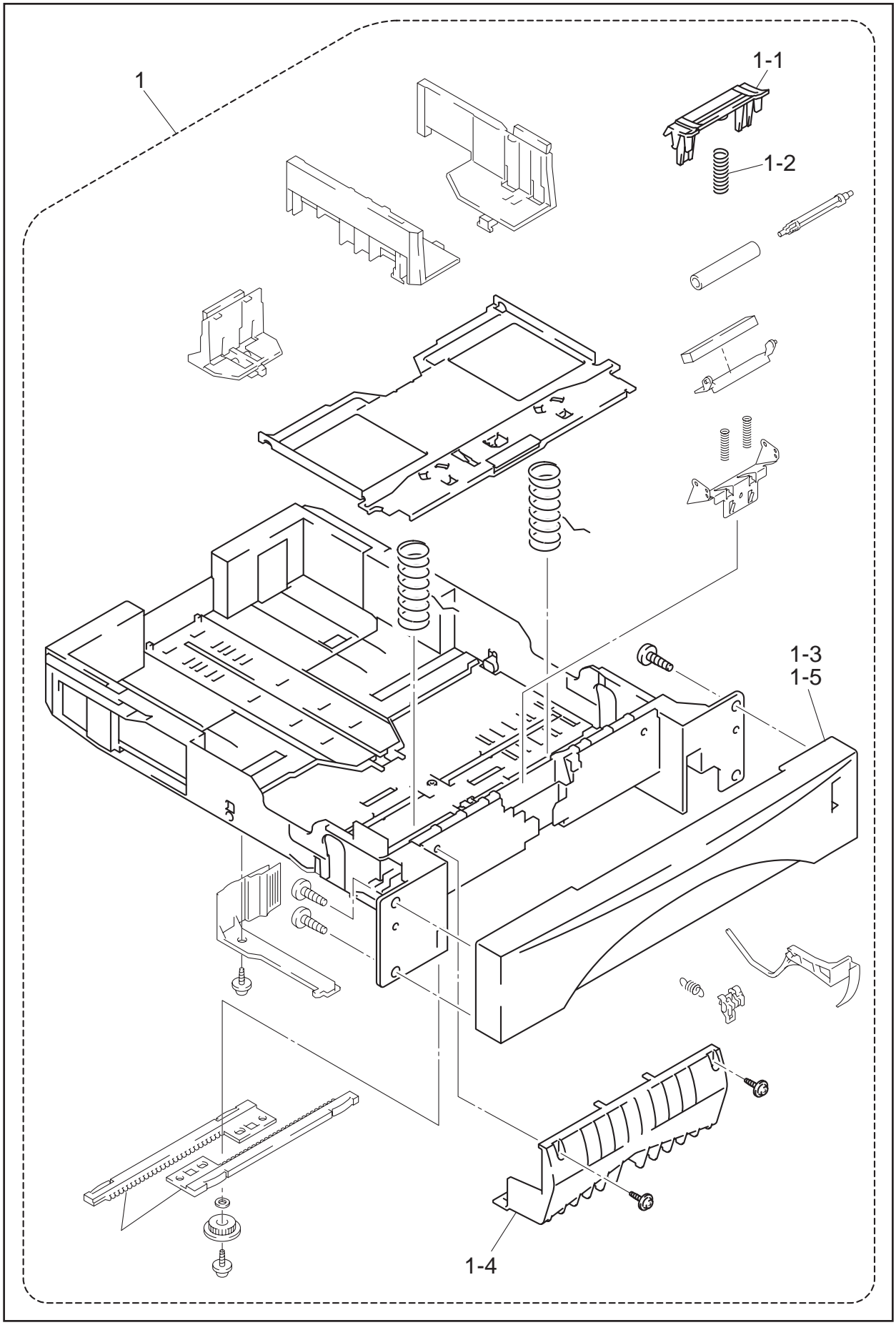


7. PAPER TRAY

REF.NO.	CODE	Q'TY	DESCRIPTION	REMARK
1	LJ7607001	1	PAPER TRAY ASSY ZL2 BRO 2	
1-1	LJ7307001	1	PAD HOLDER ZL2	
1-2	LJ5923001	1	SEPARATION PAD SPRING 350	
1-3	LJ7315001	1	PAPER TRAY FRONT COVER	
1-4	LJ7616001	1	PAPER TRAY COVER	
1-5	LJ7608001	1	PAPER TRAY FRONT COVER LT	

MODEL HL-5030/5040/5050/5070N/5050LT US 84U-Z41/Z42/Z43/Z44/Z46-045

# 7. PAPER CASSETTE



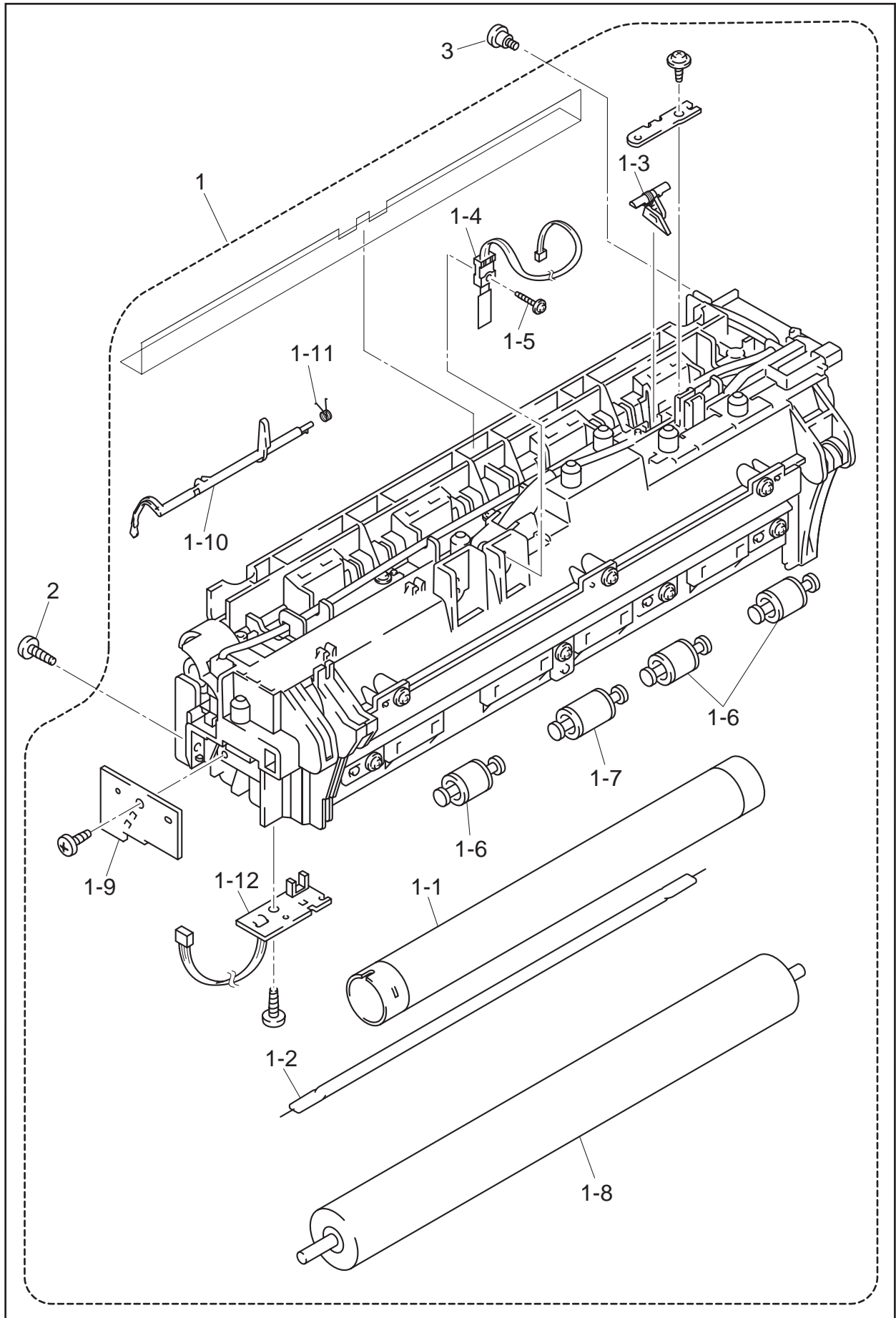
MODEL HL-5030/5040/5050/5070N/5050LT US 84U-Z41/Z42/Z43/Z44/Z46-045

8. FIXING UNIT

REF.NO	CODE	Q'TY	DESCRIPTION	SYMBOL	REMARK
1	LJ7898001	1	FIXING UNIT, 230V(SP)		
1	LJ7897001	1	FIXING UNIT, 115V(SP)		
1-1	LJ7413001	1	HEAT ROLLER 25		
1-2	LJ7539001	1	HALOGEN LAMP, 230V		
1-2	LJ7417001	1	HALOGEN LAMP, 115V		
1-3	LJ7877001	4	SEPARATE CLAW ASSY C		
1-4	LJ7419001	1	THERMISTOR ASSY		
1-5	087311215	1	TAPTITE, CUP B M3X12		
1-6	LJ7428001	3	CLEANER PINCH ROLLER ASSY S		
1-7	LJ7432001	1	CLEANER PINCH ROLLER ASSY L		
1-8	LJ7436001	1	PRESSURE ROLLER 25		
1-9	LJ9174001	1	THERMISTOR RELAY PCB ASSY ZL2		
1-10	LJ5289001	1	PAPER EJECT ACTUATOR		
1-11	LJ5066001	1	EJECT ACTUATOR SPRING		
1-12	LJ9176001	1	EJECT SENSOR PCB ASSY ZL2		
2	085411216	1	TAPTITE, BIND B M4X12		Ref.NO.CHG
3	LJ4740001	1	SHOULDER SCREW		Ref.NO.CHG

MODEL HL-5030/5040/5050/5070N/5050LT US 84U-Z41/Z42/Z43/Z44/Z46-050

## 8. FIXING UNIT



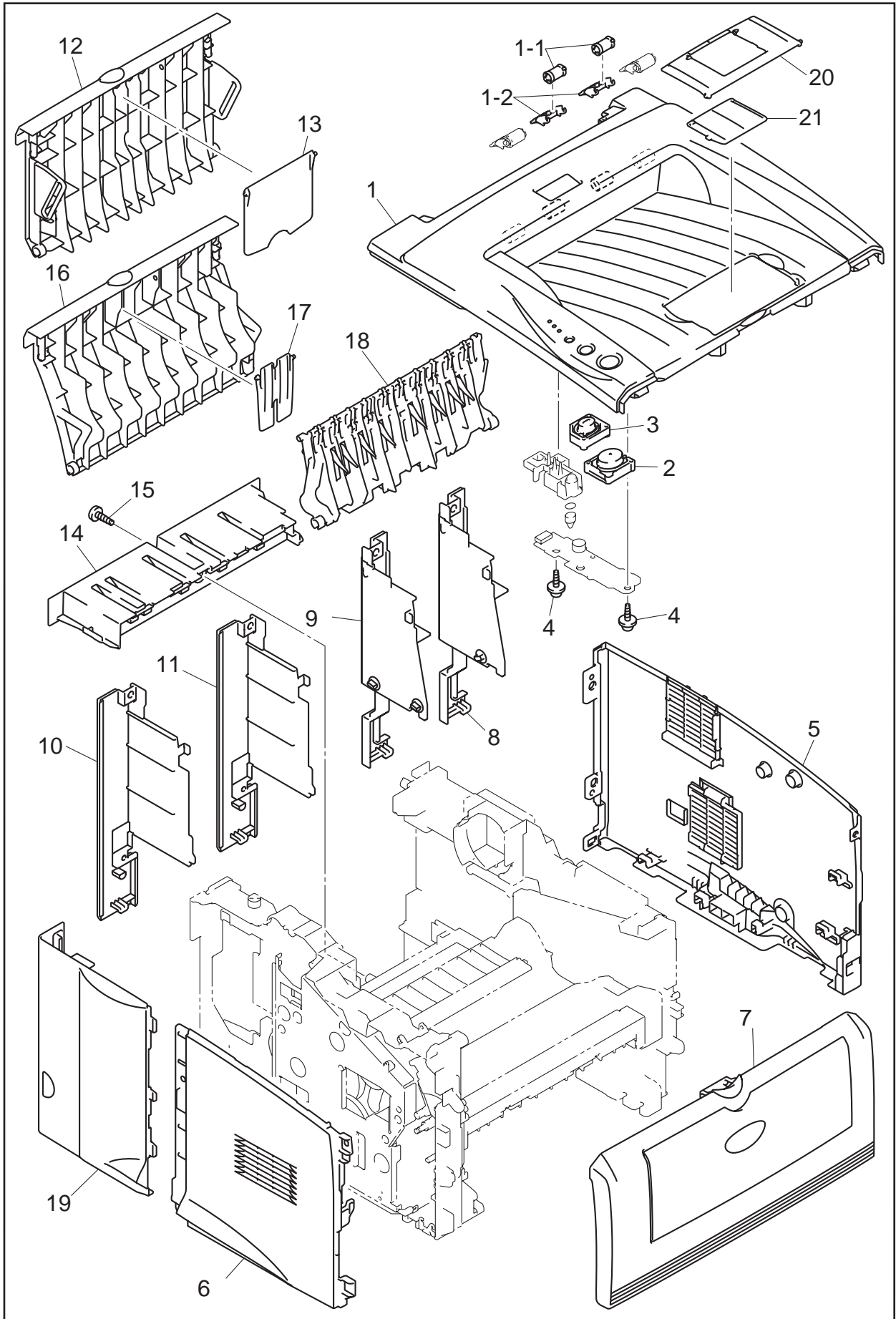
MODEL HL-5030/5040/5050/5070N/5050LT US 84U-Z41/Z42/Z43/Z44/Z46-050

9. COVERS

REF.NO.	CODE	Q'TY	DESCRIPTION	REMARK
1	LM2014001	1	TOP COVER ASSY	CHG
1-1	LJ7926001	2	CORRUGATION PINCH ROLLER W	ADD
1-2	LJ7925001	2	PINCH ROLLER HOLDER W	ADD
2	LJ7451001	1	SW KEY A	
3	LJ7452001	1	SW KEY B	
4	087310815	2	TAPTITE, CUP B M3X8	
5	LJ7453001	1	SIDE COVER R	
6	LJ7454001	1	SIDE COVER L	
7	LJ7455001	1	FRONT COVER ASSY	
8	LJ7465001	1	REAR COVER R	
9	LJ7617001	1	REAR COVER R MP	
10	LJ7466001	1	REAR COVER L	
11	LJ7618001	1	REAR COVER L MP	
12	LJ7610001	1	REAR COVER MP	
13	LJ7613001	1	REAR COVER MP TRAY	
14	LJ7467001	1	REAR COVER C	
15	085411216	1	TAPTITE, BIND B M4X12	
16	LJ7469001	1	OUTER CHUTE	
17	LJ7470001	1	OUTER CHUTE TRAY	
18	LJ7699001	1	OUTER CHUTE DX ASSY	
19	LJ7471001	1	ACCESS COVER	
20	LJ7895001	1	SUPPORT FLAP	
21	LJ7896001	1	SUPPORT FLAP S	

MODEL HL-5030/5040/5050/5070N/5050LT US 84U-Z41/Z42/Z43/Z44/Z46-060

## 9. COVERS



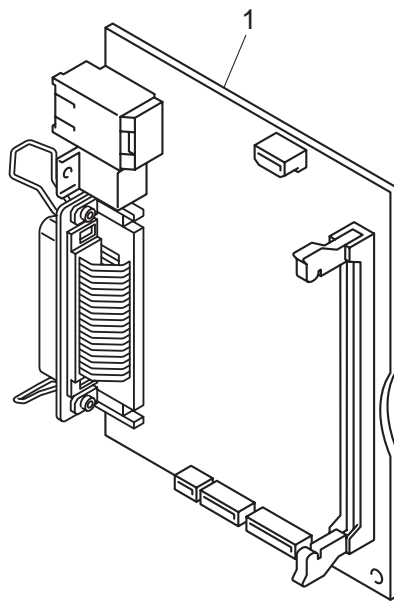
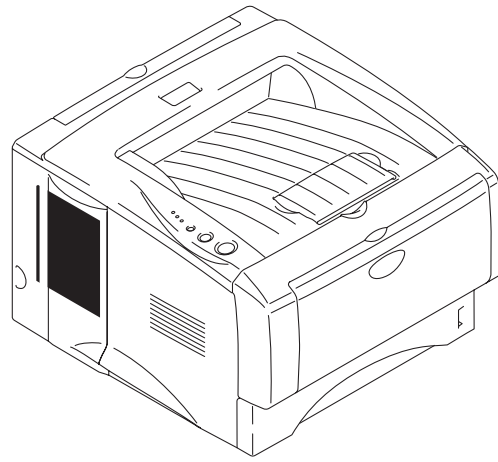
MODEL HL-5030/5040/5050/5070N/5050LT US 84U-Z41/Z42/Z43/Z44/Z46-060

10. MAIN PCB

REF.NO.	CODE	Q'TY	DESCRIPTION	SYMBOL	REMARK
1	LJ9314001	1	MAIN PCB ASSY 5030	B512159-320	
1	LJ9205001	1	MAIN PCB ASSY 5040	B512159-300	
1	LJ9220001	1	MAIN PCB ASSY 5050	B512159-310	
1	LJ9241001	1	MAIN PCB ASSY 5070N	B512155-300	

MODEL HL-5030/5040/5050/5070N/5050LT US 84U-Z41/Z42/Z43/Z44/Z46-101

## 10. MAIN PCB



MODEL HL-5030/5040/5050/5070N/5050LT US 84U-Z41/Z42/Z43/Z44/Z46-101



11. ENGINE PCB

REF.NO.	CODE	Q'TY	DESCRIPTION	SYMBOL	REMARK
1	LJ9188001	1	ZL2 ENGINE PCB ASSY 1	B512153-301	
1	LJ9221001	1	ZL2 ENGINE PCB ASSY 2	B512153-302	
1	LG4404001	1	ZL2 ENGINE PCB ASSY 4	B512153-304	

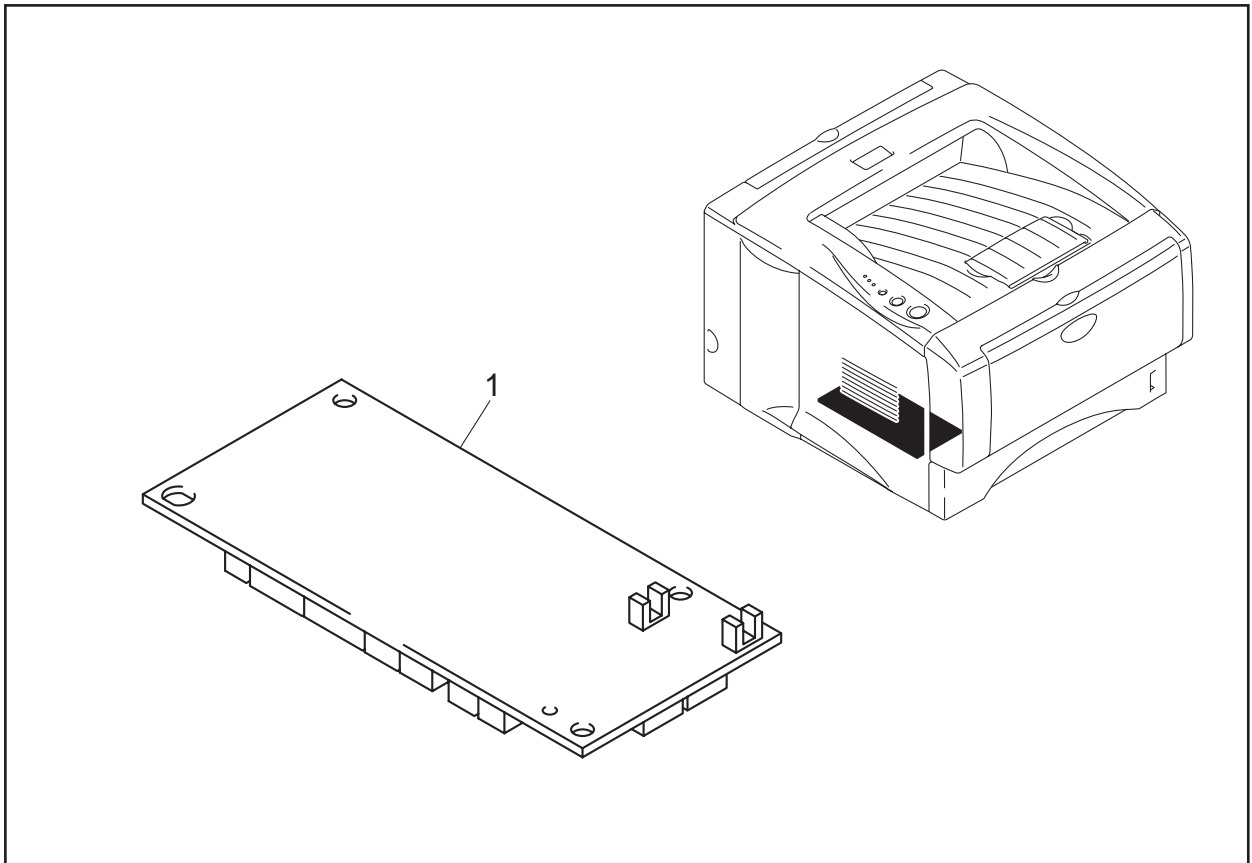
MODEL HL-5030/5040/5050/5070N/5050LT US 84U-Z41/Z42/Z43/Z44/Z46-151

12. LOW-VOLTAGE POWER SUPPLY PCB

REF.NO.	CODE	Q'TY	DESCRIPTION	SYMBOL	REMARK
1	LJ9324001	1	PS PCB UNIT 230V (SP)		
1	LJ9323001	1	PS PCB UNIT 115V (SP)		
2	085411216	1	TAPTITE, BIND B M4X12		
3	LM2048001	1	SCREW, PAN (S/P WASHER) M3.5X6		CHG

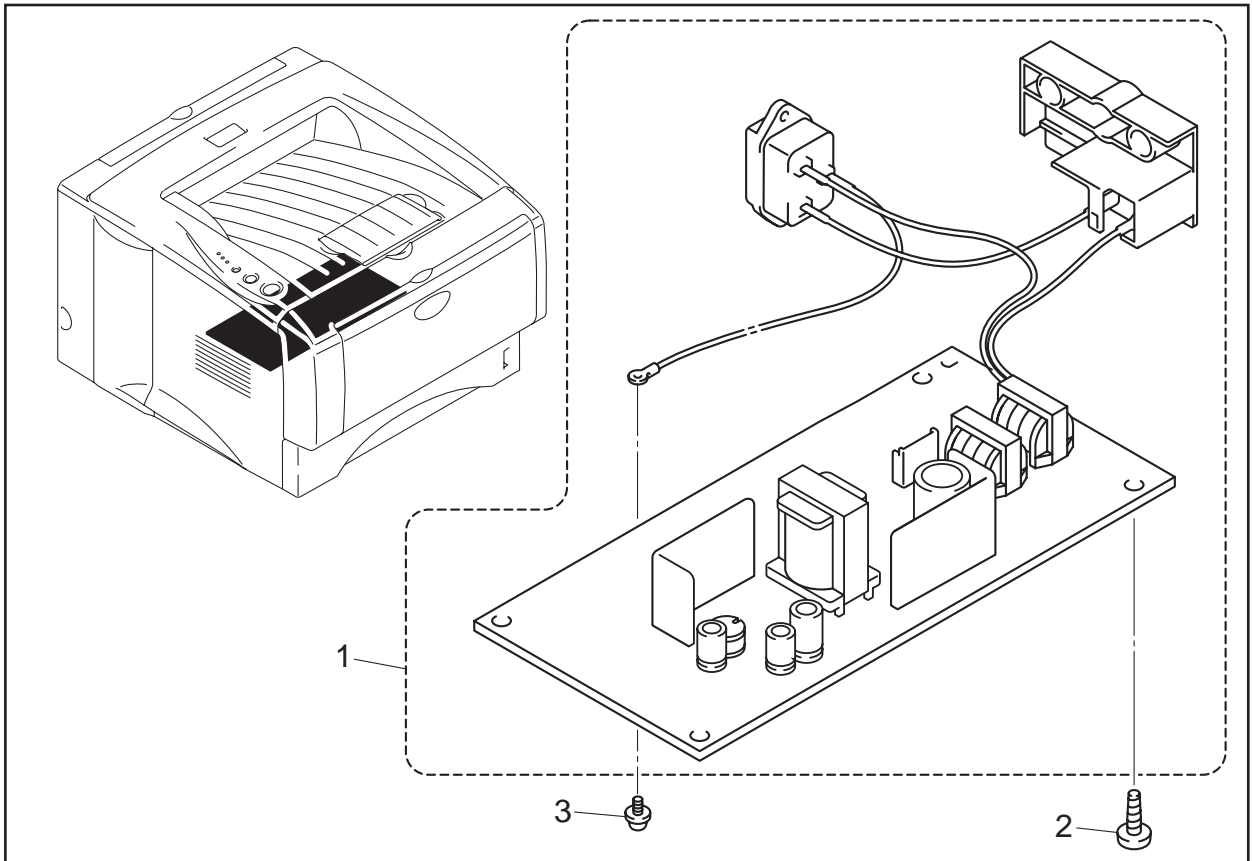
MODEL HL-5030/5040/5050/5070N/5050LT US 84U-Z41/Z42/Z43/Z44/Z46-200

## 11. ENGINE PCB



MODEL HL-5030/5040/5050/5070N/5050LT US 84U-Z41/Z42/Z43/Z44/Z46-151

## 12. LOW-VOLTAGE POWER SUPPLY PCB



MODEL HL-5030/5040/5050/5070N/5050LT US 84U-Z41/Z42/Z43/Z44/Z46-200

13. HIGH-VOLTAGE POWER SUPPLY PCB

REF.NO.	CODE	Q'TY	DESCRIPTION	SYMBOL	REMARK
1	LJ9200001	1	HIGH-VOLTAGE PS PCB ASSY ZL2		
2	085411216	1	TAPTITE, BIND B M4X12		

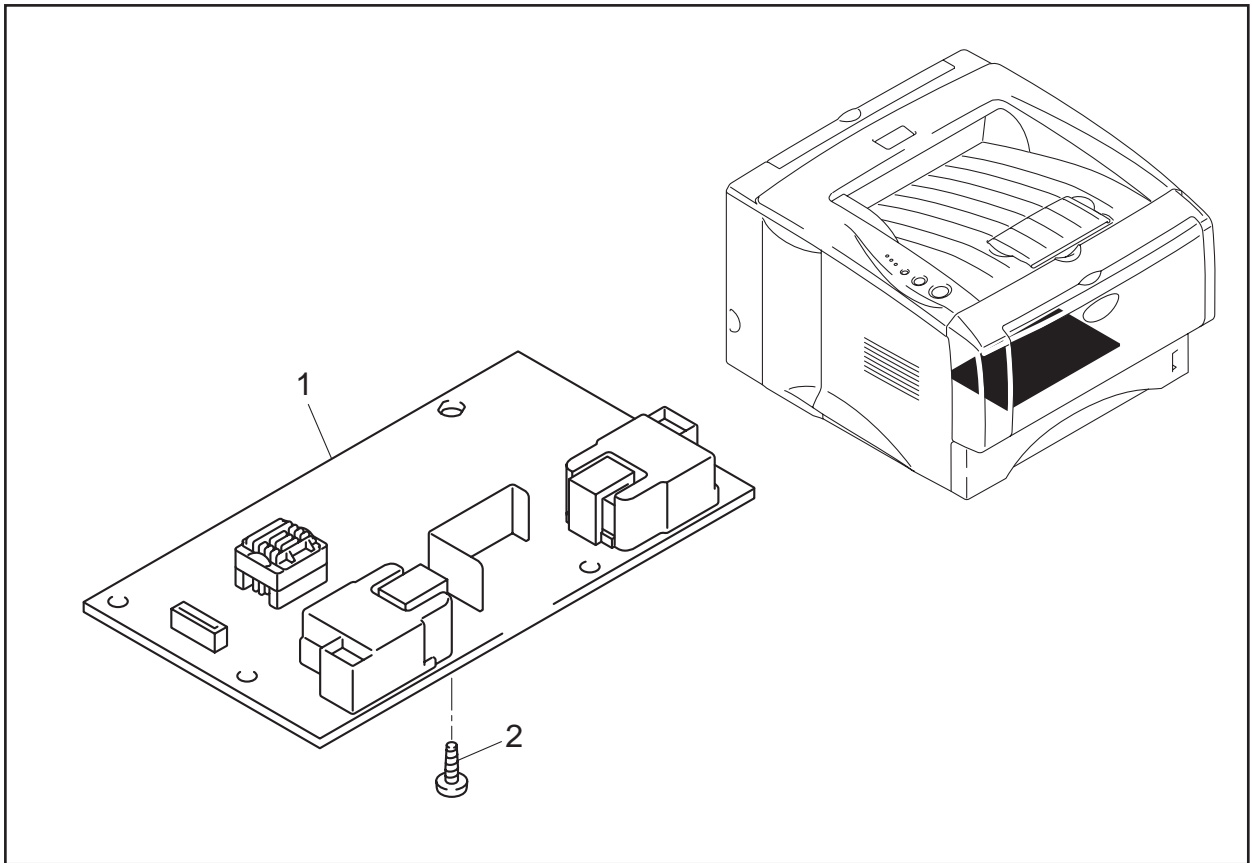
MODEL HL-5030/5040/5050/5070N/5050LT US 84U-Z41/Z42/Z43/Z44/Z46-220

14. ACCESSORIES

REF.NO.	CODE	Q'TY	DESCRIPTION	REMARK
4	<del>LJ7880001</del>	4	<del>CD ASSY 5030/5040</del>	<del>DEL</del>
1	LJ7770001	1	CD ASSY 5030/5040/5050/5070N	

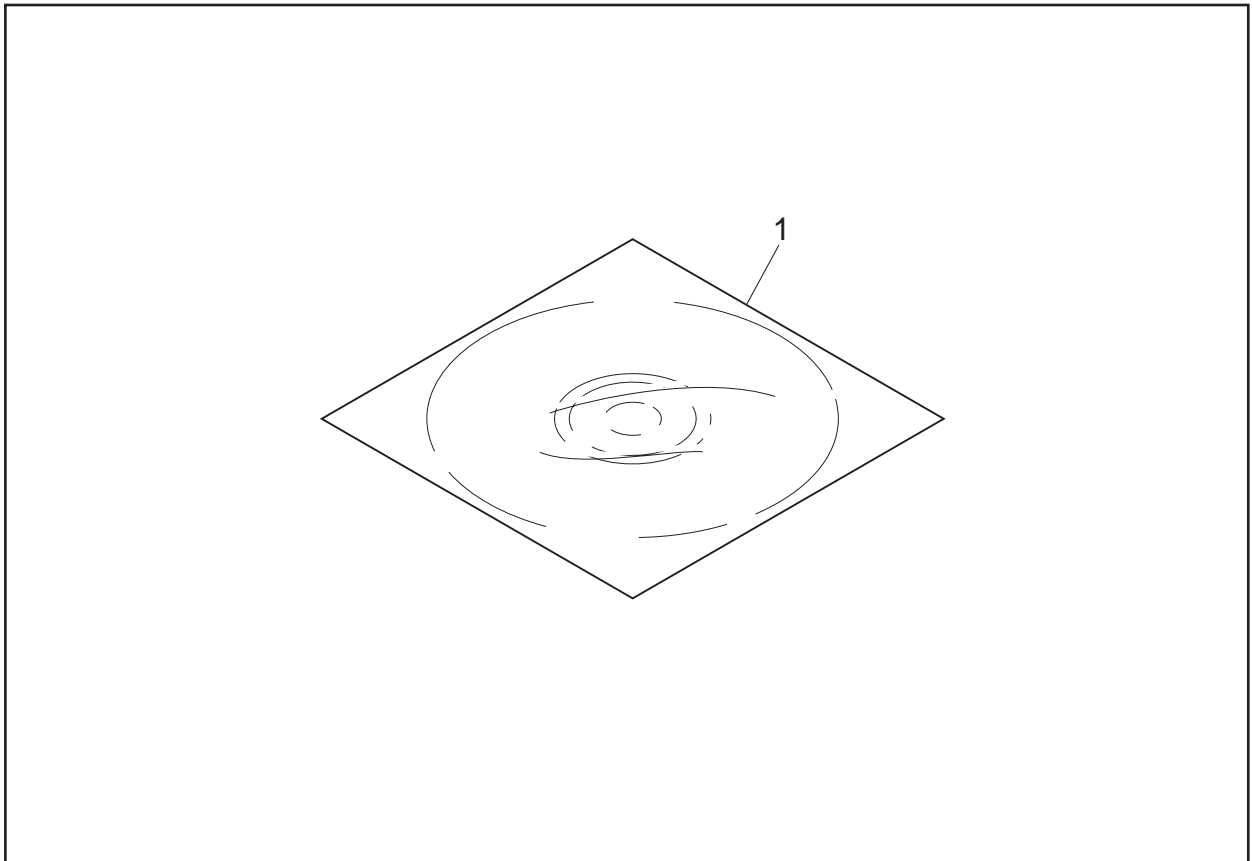
MODEL HL-5030/5040/5050/5070N/5050LT US 84U-Z41/Z42/Z43/Z44/Z46-920

### 13. HIGH-VOLTAGE POWER SUPPLY PCB



MODEL HL-5030/5040/5050/5070N/5050LT US 84U-Z41/Z42/Z43/Z44/Z46-220

### 14. ACCESSORIES



MODEL HL-5030/5040/5050/5070N/5050LT US 84U-Z41/Z42/Z43/Z44/Z46-920

15. PACKING MATERIALS

REF.NO.	CODE	Q'TY	DESCRIPTION	REMARK
1	LL0654001	1	CARTON, HL-5030 EUR	
1	LL0655001	1	CARTON, HL-5040 US	
1	LL0665001	1	CARTON, HL-5050 US	
1	LL0667001	1	CARTON, HL-5070N US	
1	LL0656001	1	CARTON, HL-5040 EUR	
1	LL0666001	1	CARTON, HL-5050 EUR	
1	LL0668001	1	CARTON, HL-5070N EUR	
2	LJ7357001	1	POLYSTYRENE PAD ASSY ZL2	
2	LJ7545001	1	POLYSTYRENE PAD ASSY ZL2 MP	
3	LJ5584001	1	BAG, 700X800H	
4	LL0695001	1	CARTON, OUTER HL-5050LT US	

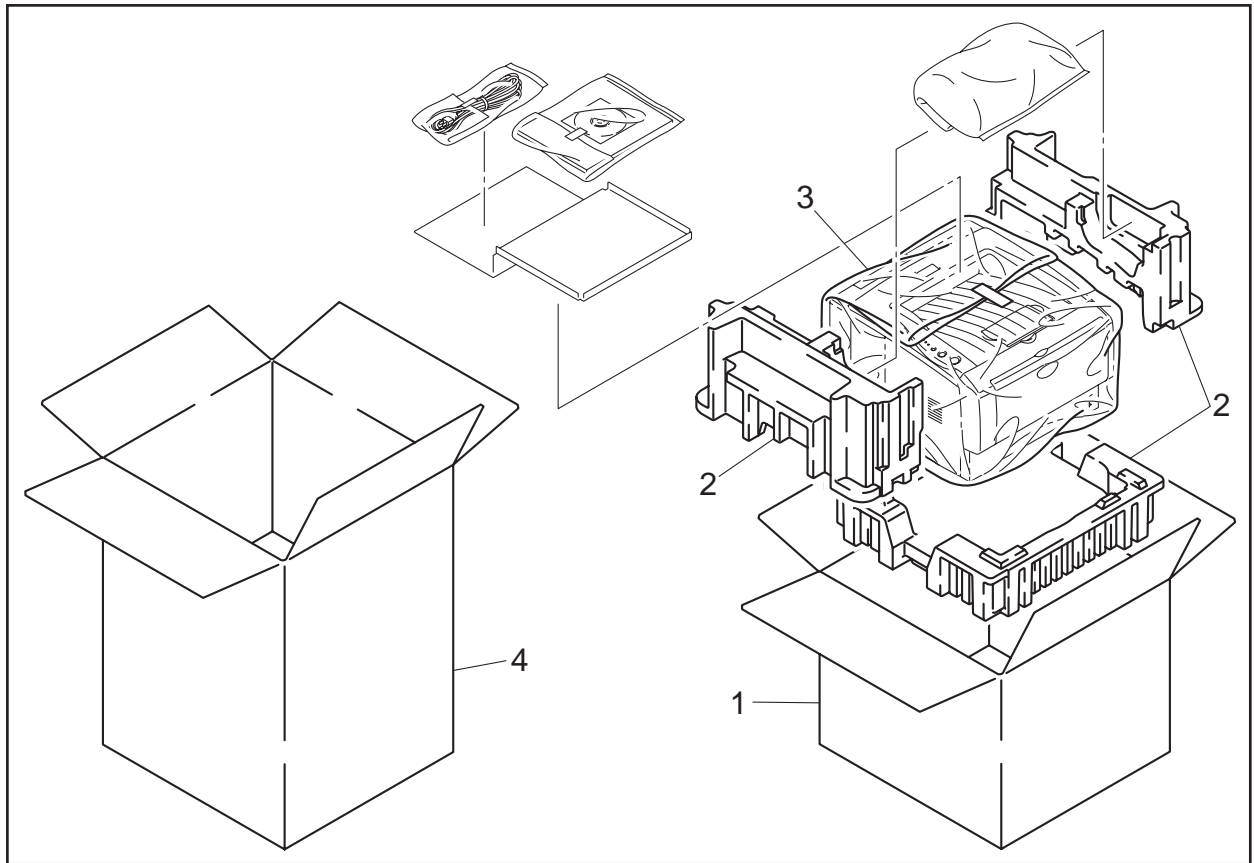
MODEL HL-5030/5040/5050/5070N/5050LT US 84U-Z41/Z42/Z43/Z44/Z46-930

16. PERIODICAL MAINTENANCE PARTS

REF.NO.	CODE	Q'TY	DESCRIPTION	REMARK
1	LJ7920001	1	PAPER FEEDING KIT	
1-1	LJ7703001	1	PAPER PICK-UP ROLLER ASSY ZL2*1	
1-2	LJ7307001	1	PAD HOLDER ZL2 *2	
			*1 Refer to "5. PAPER FEEDER"	
			*2 Refer to "7. PAPER CASSETTE"	

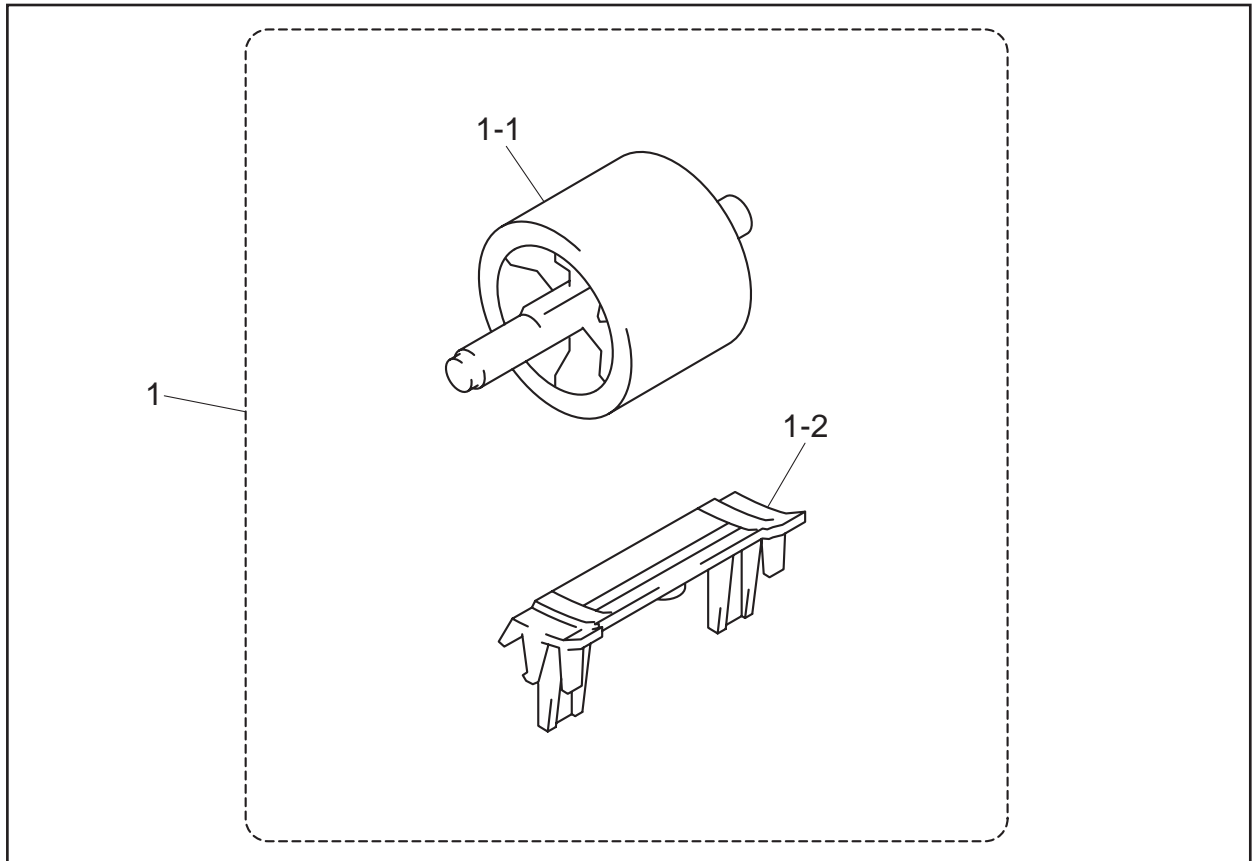
MODEL HL-5030/5040/5050/5070N/5050LT US 84U-Z41/Z42/Z43/Z44/Z46-940

## 15. PACKING MATERIALS



MODEL HL-5030/5040/5050/5070N/5050LT US 84U-Z41/Z42/Z43/Z44/Z46-930

## 16. PERIODICAL MAINTENANCE PARTS



MODEL HL-5030/5040/5050/5070N/5050LT US 84U-Z41/Z42/Z43/Z44/Z46-940