



FACSIMILE EQUIPMENT

PARTS REFERENCE LIST

MODEL: MFC890

**(For Germany / United Kingdom / France /
Belgium / Netherlands / Switzerland /
Ireland / Denmark / Austria / Spain / Italy /
Sweden / Norway / Finland / General)**

MFC5200C

(For Australia / New Zealand / Asia)

NOTES FOR USING THIS PARTS REFERENCE LIST

1. In the case of ordering parts, it needs mentioning the following items:

- (1) Code
- (2) Q' ty
- (3) Description

Note: No orders without Parts Code or Tool No. can be accepted.

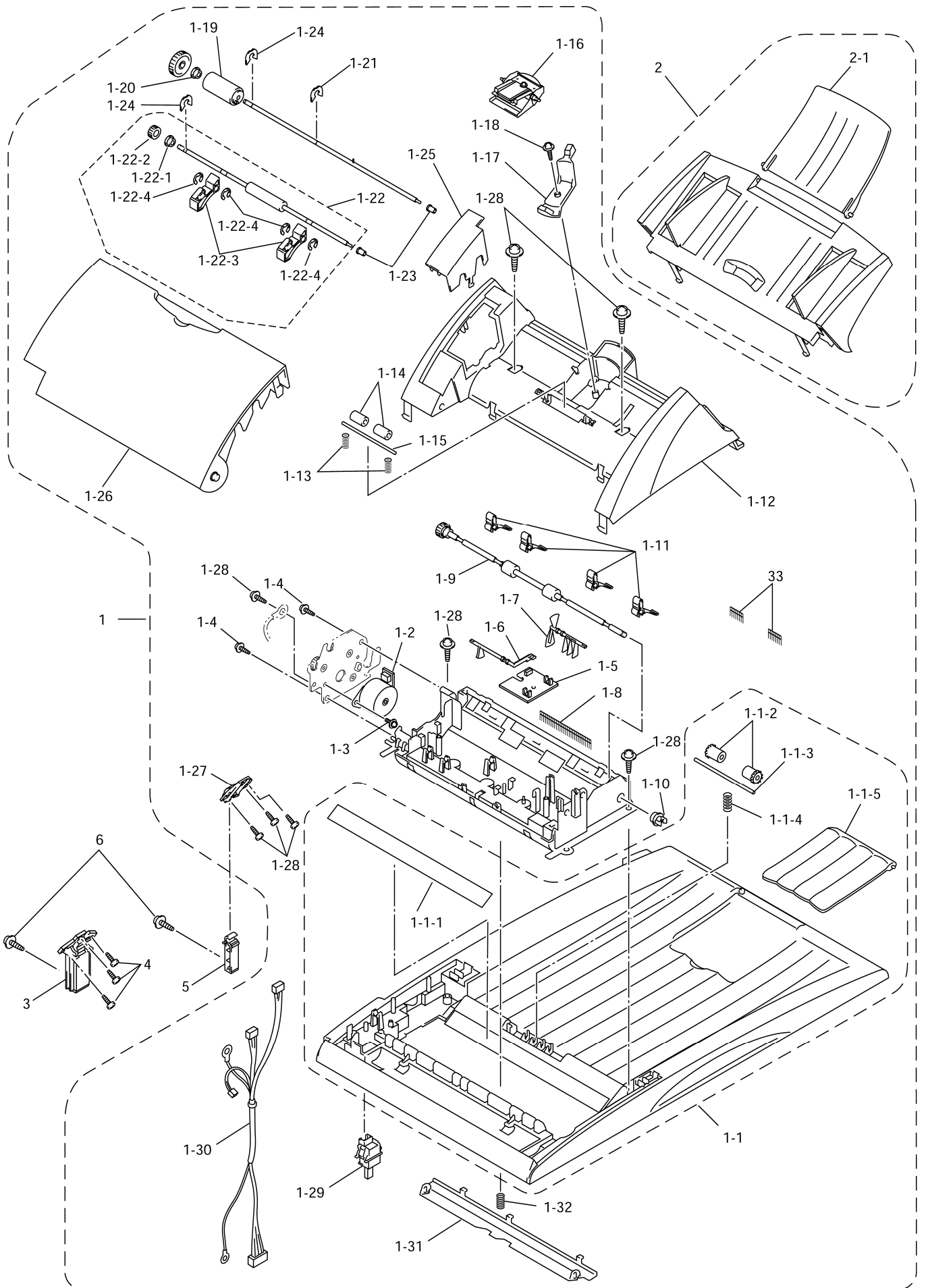
[Example]

REF.NO.	(1) CODE	(2) Q' TY	(3) DESCRIPTION	RECOMMEND	REMARKS

2. Parts change will be informed by the technical information.

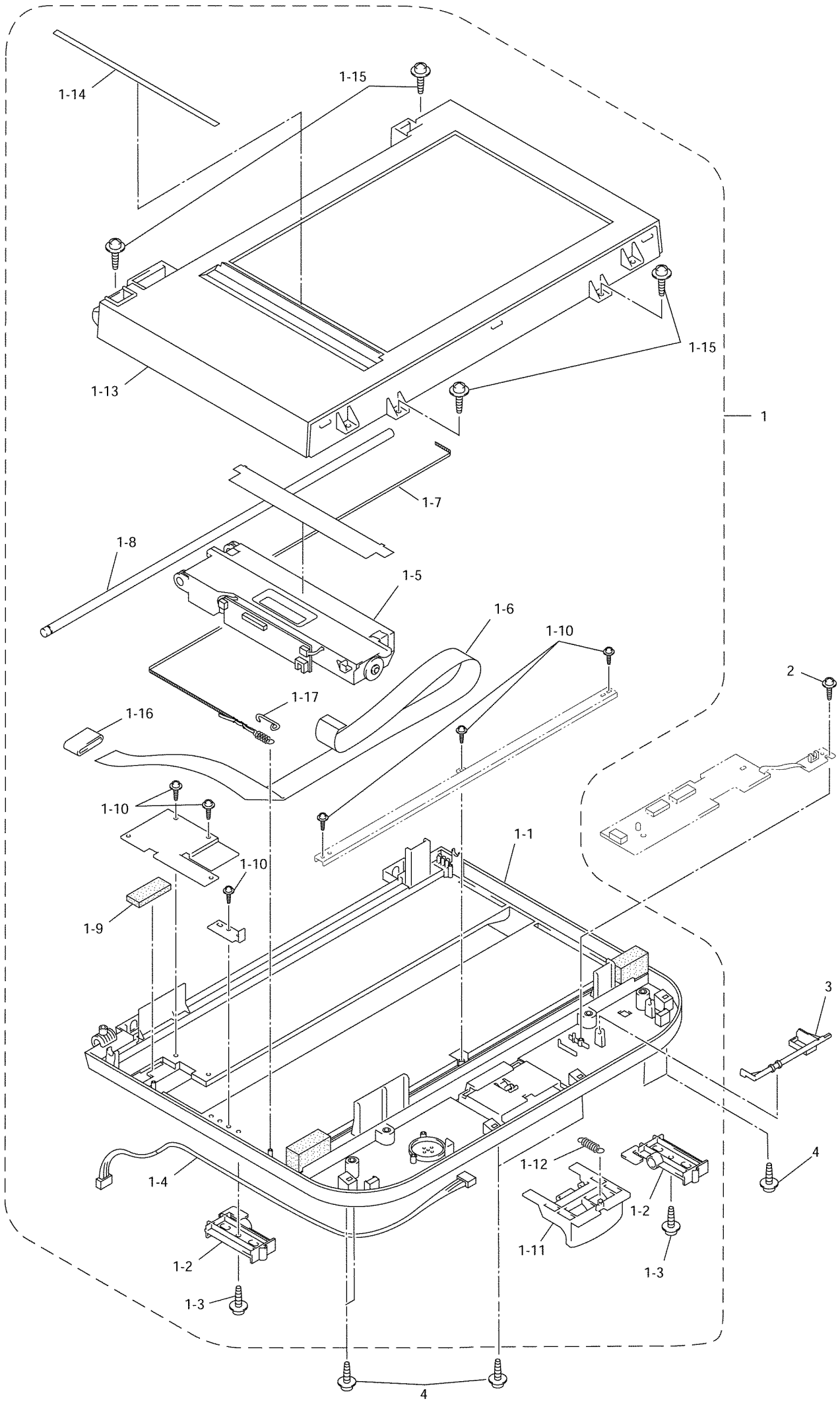
COUNTRIES

GERMAN ---- GER
UNITED KINGDOM ---- UK
FRANCE ---- FRA
BELGIUM ---- BEL
NETHERLAND ---- NLD
SWITZERLAND ---- CHE
IRELAND ---- IRE
DENMARK ---- DEN
AUSTRIA ---- AUS
SPAIN ---- SPA
ITALY ---- ITA
SWEDEN ---- SWE
NORWAY ---- NOR
FINLAND ---- FIN
GENERAL ---- GEN
AUSTRALIA ---- ARL
NEW ZEALAND ---- NZ
ASIA ---- ASA



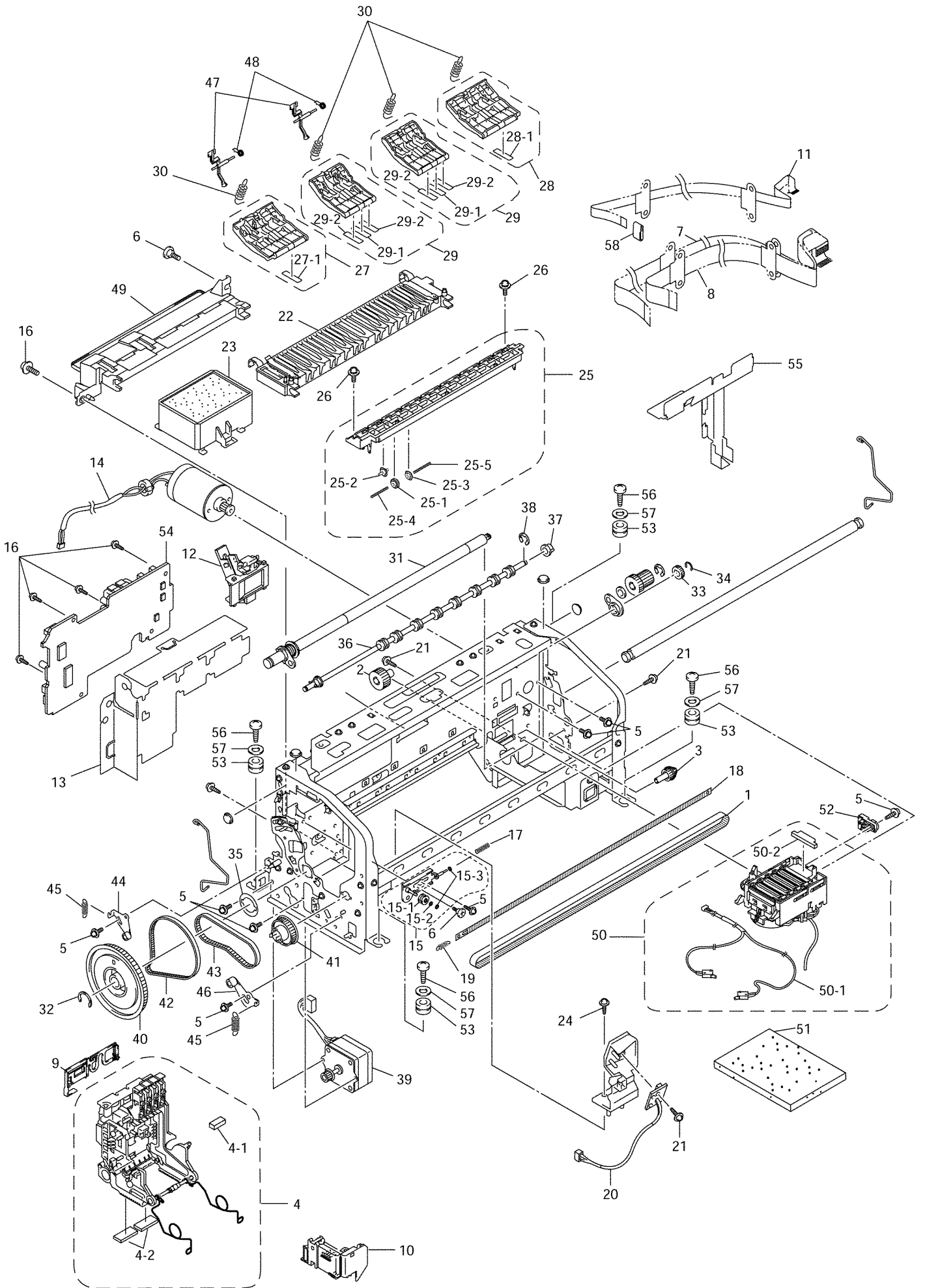
LIST1(ADF)

REF.No.	CODE	Q'TY	DESCRIPTION	RECOMMEND	REMARKS
1	LE9436001	1	DOCUMENT COVER ASSY	1	
1-1	LE9437001	1	DOCUMENT COVER SUB ASSY, GRAY(1495)		
1-1-1	LE6205001	1	CHUTE FILM		
1-1-2	UL6244002	2	PINCH ROLLER		
1-1-3	LE2471001	1	PINCH ROLLER SHAFT		
1-1-4	LE6206001	1	PINCH ROLLER SPRING		
1-1-5	LE6207001	1	ADF DOCUMENT OUTPUT SUPPORT EXTENSION, GRAY(1495)		
1-2	LE6214001	1	ADF MOTOR		
1-3	0A4300605	1	SCREW, PAN (S/P WASHER) M3X6		
1-4	087310815	2	TAPTITE, CUP B M3X8		
1-5	LG3216001	1	DOCUMENT SENSOR PCB ASSY		
1-6	LE6219001	1	DOCUMENT REAR SENSOR ACTUATOR		
1-7	LE6220001	1	DOCUMENT FRONT SENSOR ACTUATOR		
1-8	LE6221001	1	ANTI-STATIC BRUSH		
1-9	LE6222001	1	DOCUMENT EJECTION ROLLER ASSY		
1-10	UF0026001	1	PAWLED BUSHING		
1-11	LE6334001	4	DOCUMENT GUIDE CLIP		
1-12	LE6226001	1	UPPER ADF CHUTE, GRAY(1495)		
1-13	LE2472001	2	PRESSURE ROLLER SPRING		
1-14	UF9009001	2	PRESSER ROLLER		
1-15	LE2471001	1	PRESSURE ROLLER SHAFT		
1-16	LE6345001	1	SEPARATOR RUBBER UNIT		
1-17	LE6330001	1	ADF THICKNESS ADJUSTER		
1-18	UF5034001	1	TAPTITE, B 3X6		
1-19	LE2037001	1	SEPARATION ROLLER		
1-20	LE6494001	1	BUSHING		
1-21	048050346	1	RETAINING RING, E5		
1-22	LE6233001	1	DOCUMENT FEED ROLLER ASSY		
1-22-1	LE6494001	1	BUSHING		
1-22-2	LE6495001	1	DOCUMENT FEED ROLLER GEAR		
1-22-3	LE6492001	2	DOCUMENT FEED ROLLER PAPER CHUTE		
1-22-4	048050346	4	RETAINING RING, E5		
1-23	UF9949001	2	BUSHING S		
1-24	LE2537001	2	PLASTIC RETAINING RING		
1-25	LE6236001	1	GEAR COVER, GRAY(1495)		
1-26	LE6237001	1	ADF COVER, GRAY(1495)		
1-27	LE6245001	1	HINGE BASE R		
1-28	087311016	8	TAPTITE, CUP B M3X10		
1-29	LG3218001	1	DOCUMENT COVER OPEN SENSOR		
1-30	LG3827001	1	ADF HARNESS		
1-31	LE9010001	1	DOCUMENT PRESSURE BAR		
1-32	LE6218001	1	SPRING		
1-33	LE6609001	2	ANTI-STATIC BRUSH S		
1-34	LE6230001	1	SEPARATE ROLLER GEAR		
2	LE6246001	1	DOCUMENT GUIDE ASSY, GRAY(1495)		
2-1	LE6250001	1	DOCUMENT SUPPORT, CLEAR PURPLE(6342)		
3	LE6238001	1	HINGE ASSY L		
4	087311016	3	TAPTITE, CUP B M3X10		
5	LE6244001	1	HINGE ARM R		
6	085411216	2	SCREW, BIND B TITE 4X12		



LIST2(SCANNER)

REF.No.	CODE	QTY	DESCRIPTION	RECOMMEND	REMARKS
1	LE9351001	1	SCANNER UNIT(SP)	1	
1-1	LE9314001	1	SCANNER BASE, GRAY(1495)		
1-2	LE6253001	2	SCANNER LINK SUPPORT		
1-3	087411216	2	TAPTITE, CUP B M4X12		
1-4	LG3233001	1	PANEL HARNESS		
1-5	LE9722001	1	CCD UNIT		CHG
1-6	LE6351001	1	CCD FLAT CABLE		
1-7	LE6353001	1	CCD DRIVE BELT ASSY		
1-8	LE6259001	1	CCD RAIL		
1-9	LE6260001	1	SPONGE R		
1-10	087310816	6	TAPTITE, CUP B M3X8		
1-11	LE9255001	1	SCANNER COVER RELEASE LEVER, PURPLE(6255)		
1-12	LE6264001	1	LEVER SPRING		
1-13	LE6267001	1	SCANNER TOP COVER ASSY, GRAY(1495)		
1-14	LE6355001	1	DOCUMENT SET LABEL		
1-15	087411216	4	TAPTITE, CUP B M4X12		
1-16	LG2020001	1	FLAT CORE 40X20X6.5		
1-17	LE9433001	1	BELT HOLDING SPRING		
2	087310815	1	TAPTITE, CUP B M3X8		
3	LE2095001	1	SCANNER OPEN SENSOR ACTUATOR		
4	087311216	6	TAPTITE, CUP B M3X12		

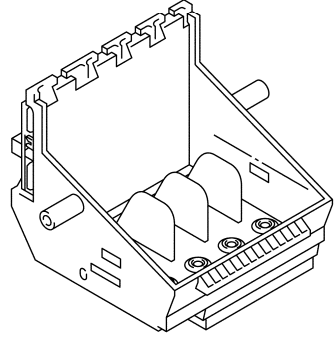
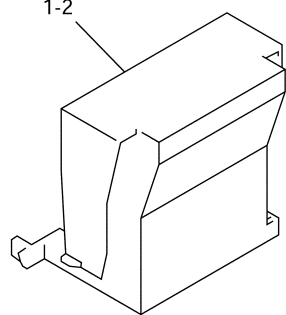


LIST3(ENGINE)

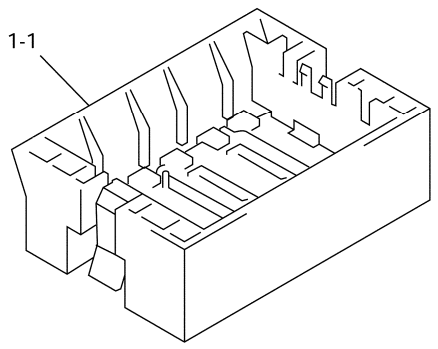
REF No.	CODE	QTY	DESCRIPTION	RECOMMEND	REMARKS
1	LE9061001	1	CARRIAGE TIMING BELT		
2	LE9268001	1	GEAR, 25M		
3	LE6031001	1	PURGE BEVEL GEAR A		
4	LE9039001	1	CARRIAGE UNIT ASSY	1	
4-1	LE9434001	1	FELT		
4-2	LE9435001	2	FELT M2		
5	0A5300605	8	SCREW, PAN (S/P WASHER) M3X6		
6	UF9823001	2	SHOULDER SCREW		
7	LE9068001	1	HEAD FLAT CABLE W ASSY		
8	LE9070001	1	HEAD FLAT CABLE M ASSY		
9	LE9071001	1	FFC STOPPER 1		
10	LE9072001	1	FFC STOPPER 2		
11	LE9073001	1	HEAD FLAT CABLE N ASSY		
12	LE9075001	1	FLAT CABLE CLAMP		
13	LE9180001	1	HARNESS SUPPORT FILM L		
14	LE9077001	1	CARRIAGE MOTOR		
15	LE9081001	1	IDLE PULLEY HOLDER ASSY		
15-1	LE3170001	1	IDLE PULLEY		
15-2	026030135	1	WASHER, PLAIN S 3		
15-3	048020345	2	RETAINING RING, E2		
16	087320615	5	SCREW, CUP S TITE 3X6		
17	LE3171001	1	PULLEY SPRING		
18	LE9084001	1	ENCODER STRIP		
19	UD6012001	1	ENCODER STRIP SPRING		
20	LG3837001	1	INK EMPTY SENSOR PCB ASSY		
21	087310815	3	TAPTITE, CUP B M3X8		
22	LE9329001	1	PLATEN		
23	LE9090001	1	FLUSHING FOAM CASE ASSY		
24	087320616	1	TAPTITE, CUP S M3X6		
25	LE9094001	1	STAR WHEEL SUPPORT ASSY		
25-1	LE6504001	8	STAR WHEEL W		
25-2	LE6805001	8	STAR WHEEL B		
25-3	LE6105001	5	STAR WHEEL A		
25-4	LE9236001	8	STAR WHEEL SPRING		
25-5	LE9274001	5	STAR WHEEL SPRING A		
26	LE9229001	2	TAPTITE, PAN B 3X10		
27	LE9096001	1	PAPER PRESSURE HOLDER L ASSY		
27-1	LE9291001	1	PRESSURE HOLDER FILM		
28	LE9098001	1	PAPER PRESSURE HOLDER R ASSY		
28-1	LE9291001	1	PRESSURE HOLDER FILM		
29	LE9100001	2	PAPER PRESSURE HOLDER M ASSY		
29-1	LE9291001	2	PRESSURE HOLDER FILM		
29-2	LE9430001	4	PRESSURE HOLDER FILM M2		
30	LE6090001	4	PRESSURE ROLLER SPRING		
31	LE9102001	1	PAPER FEED ROLLER ASSY		
32	LE9107001	1	CRESCENT RING, C14		
33	LE9266001	1	PF ROLLER GEAR R		
34	LE6121001	1	CRESCENT RING, C5		
35	LE9109001	1	WASHER, 15.1X21		
36	LE9286001	1	PAPER EJECTION ROLLER ASSY		
37	UF8097001	1	BUSHING		
38	048060345	1	RETAINING RING, E6		
39	LE9114001	1	PAPER FEED MOTOR		
40	LE9653001	1	PF ROLLER PULLEY FLANGE ASSY		CHG
41	LE9117001	1	EJECTION ROLLER PULLEY		
42	LE9118001	1	PF TIMING BELT L		
43	LE9119001	1	PF TIMING BELT S		
44	LE9121001	1	TENSION PLATE R		
45	LE9125001	2	TENSION SPRING		
46	LE9126001	1	TENSION PLATE F		
47	LE9128001	2	SENSOR ACTUATOR		
48	LE9129001	2	ACTUATOR SPRING		
49	LE9242001	1	PAPER CHUTE ASSY		
50	LE9131001	1	PURGE UNIT	1	
50-1	LG3839001	1	PURGE SWITCH HARNESS		
50-2	LE9134001	1	PURGE FOAM		
51	LE9235001	1	MAINTENANCE FOAM		
52	LE9135001	1	MAINTENANCE STOPPER		
53	LE9166001	4	RUBBER BUSHING		
54	LG3840001	1	DRIVER PCB ASSY	1	
55	LE9179001	1	HARNESS HOLDER FILM		
56	085411216	4	TAPTITE, BIND B M4X12		
57	LE9167001	4	PLAIN WASHER		
58	LG4043001	1	FLAT CORE:24.5-20		

1

1-2

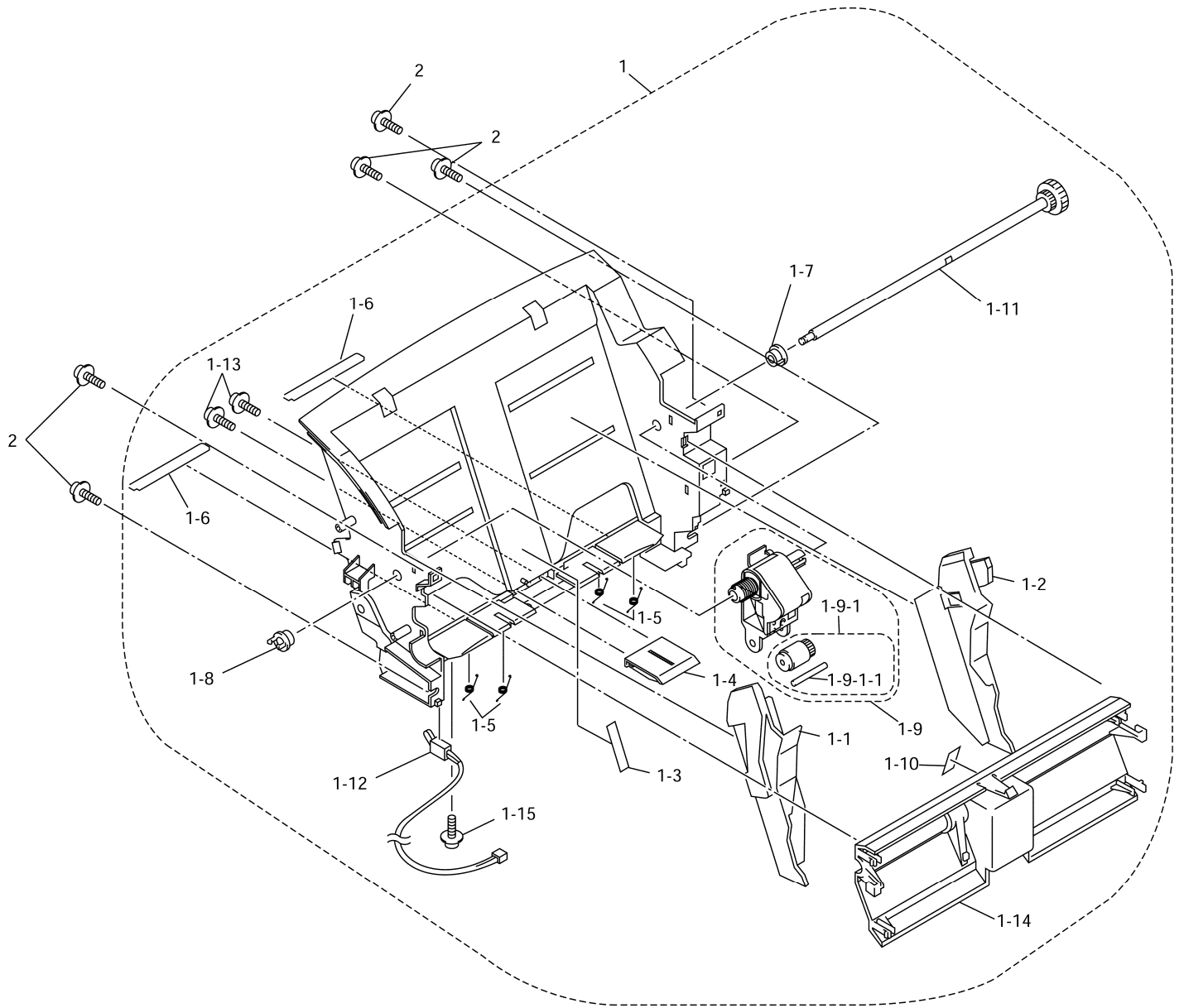


1-1



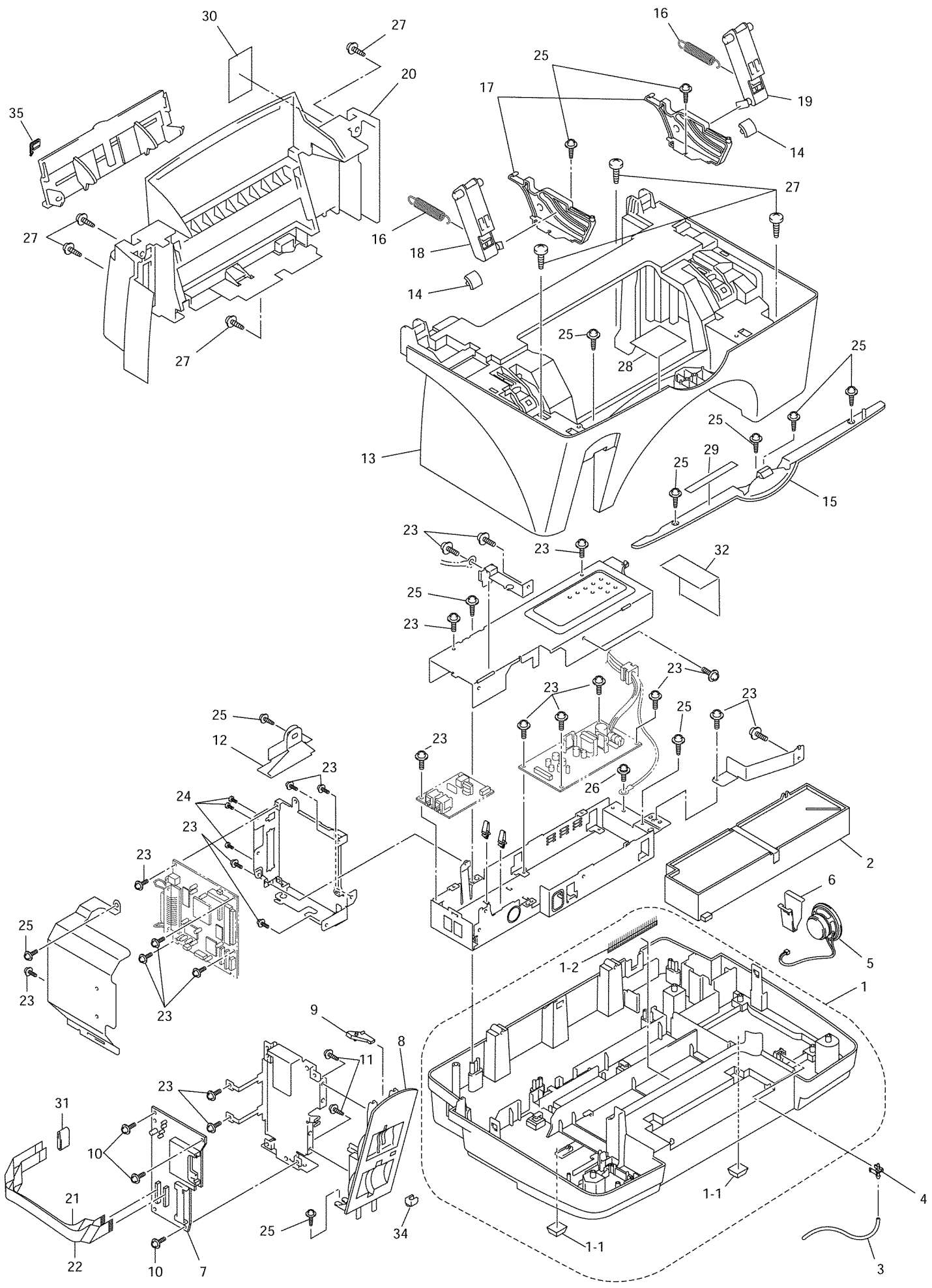
LIST4(HEAD UNIT)

REF.No.	CODE	QTY	DESCRIPTION	RECOMMEND	REMARKS
1	LK0799001	1	PRINT HEAD UNIT (SP)		
1-1	LK0800001	1	HEAD NOZZLE SEAL ASSY(SP)		
1-2	LK0536001	1	HEAD FILTER SEAL(SP)	1	



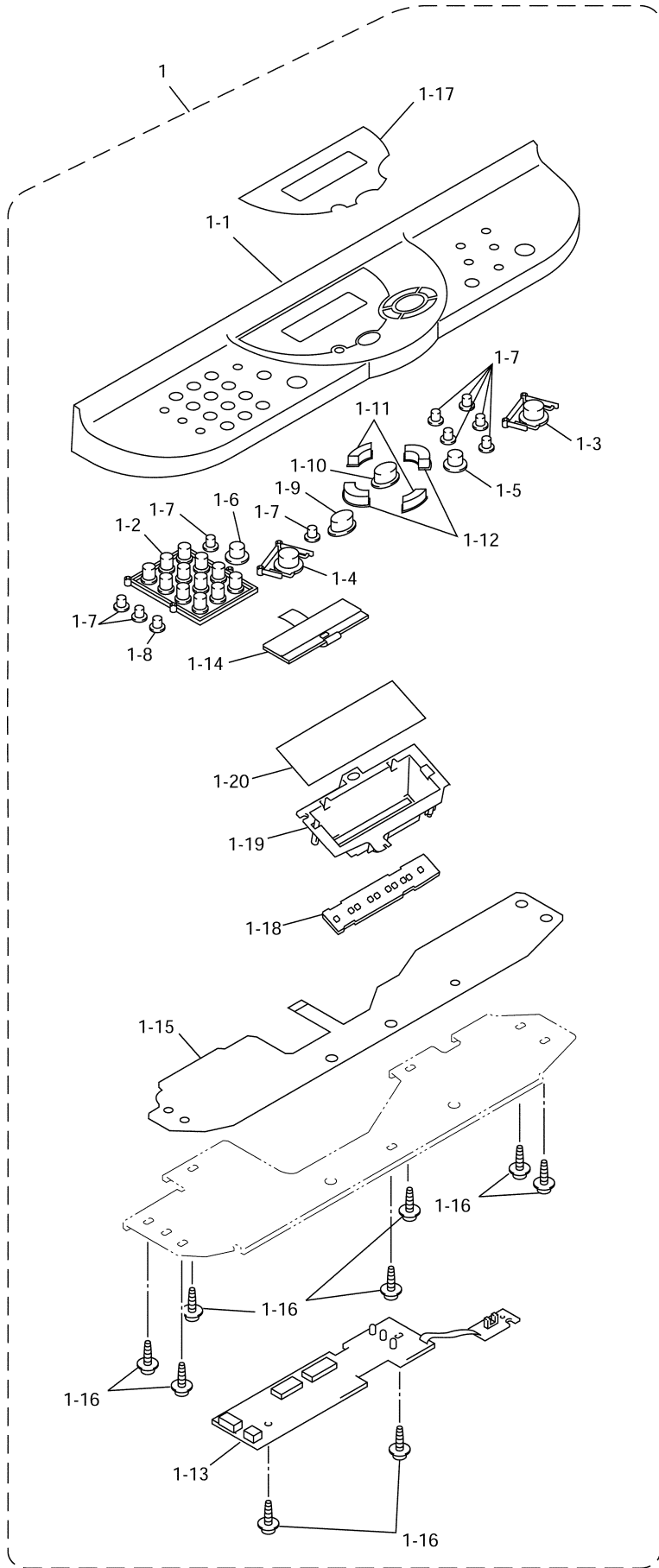
LIST5(ASF)

REF.No	CODE	Q'TY	DESCRIPTION	RECOMMEND	REMARKS
1	LE9136001	1	ASF BASE ASSY		
1-1	LE6332001	1	SIDE GUIDE L, GRAY(1495)		
1-2	LE6333001	1	SIDE GUIDE R, GRAY(1495)		
1-3	LE6137001	1	BASE PAD		
1-4	LE9267001	1	SEPARATION PAD ASSY		
1-5	LE9232001	4	FLAP SPRING		
1-6	LE9233001	2	FLAP HOLDER, GRAY(1495)		
1-7	UF8097001	1	BUSHING		
1-8	UF0026001	1	PAWLED BUSHING		
1-9	LE9160001	1	ASF ROLLER ASSY, PURPLE(6255)		
1-9-1	LE3432001	1	ASF ROLLER		
1-9-1-1	LE3267001	1	ASF ROLLER CORE		
1-10	LE9312001	1	JAM MARK LABEL		
1-11	LE9253001	1	ASF SHAFT		
1-12	LG4167001	1	MANUAL FEED SLOT COVER SENSOR HARNESS		
1-13	085311015	2	SCREW, BND B TITE 3X10		
1-14	LE9161001	1	PCB COVER, GRAY(1495)		
1-15	087310815	1	TAPTITE, CUP B M3X8		
1-16	LE9304001	2	FLAP FILM		
1-17	LE9189001	1	MANUAL FEED SLOT COVER ASSY, PURPLE(6255)		
2	087320616	5	TAPTITE, CUP S M3X6		



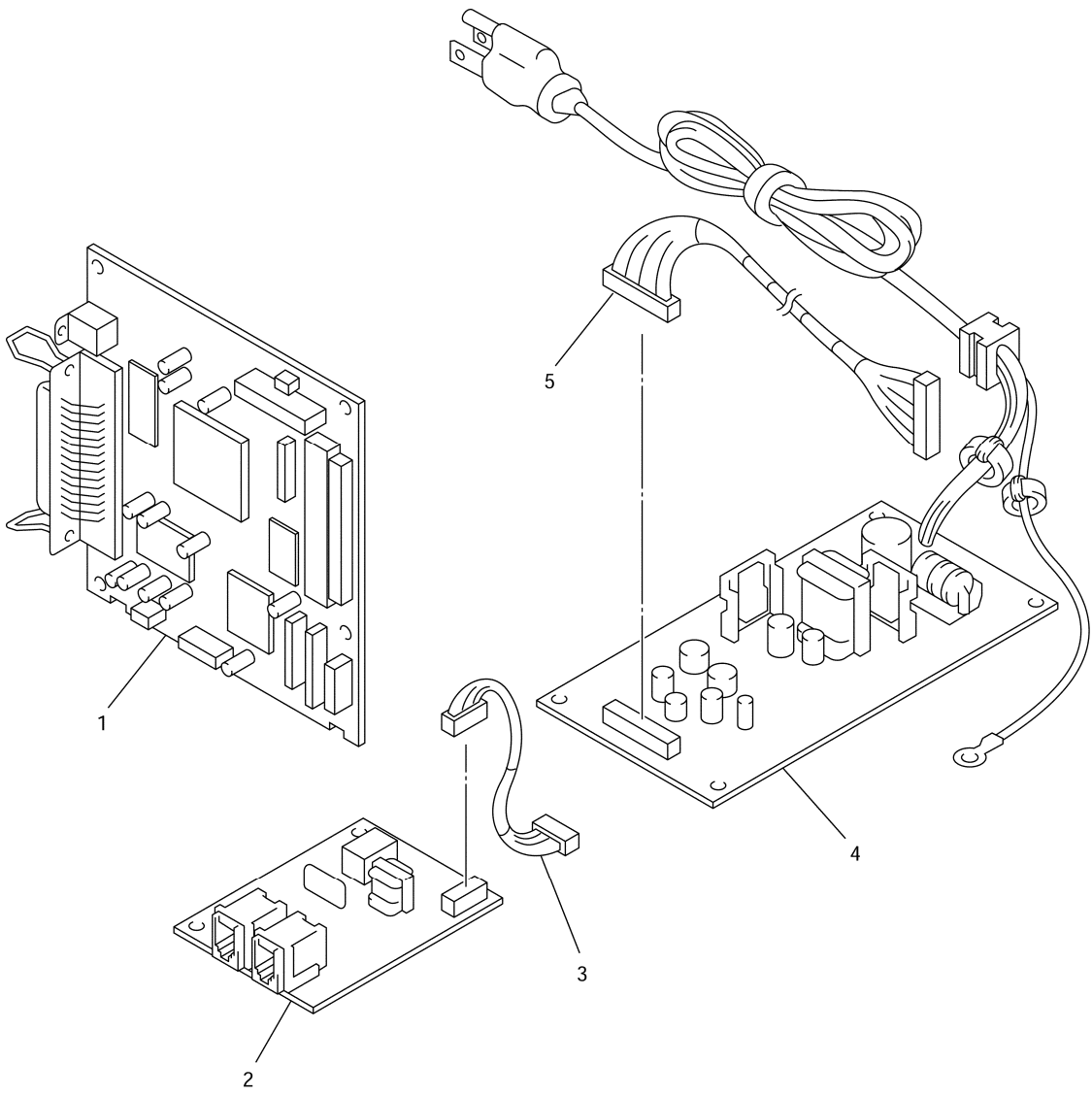
LIST6(COVER)

REF.No	CODE	QTY	DESCRIPTION	RECOMMEND	REMARKS
1	LE9219001	1	LOWER COVER ASSY , PURPLE(6255)		
1-1	UD4019001	2	RUBBER FOOT		
1-2	LE6568001	1	ANTI-STATIC BRUSH		
2	LE9247001	1	INK ABSORBER BOX ASSY		
3	LE9164001	1	EXTENSION TUBE		
4	LE9165001	1	DRAIN TUBE JOINT		
5	LG3845001	1	SPEAKER		
6	UF9847001	1	SPEAKER SPRING		
7	LG4416001	1	MEDIA PCB ASSY	1	
8	LE9174001	1	MEDIA COVER, PURPLE(6255)		
9	LE3439001	1	LENS		
10	087320616	3	TAPTITE, CUP S M3X6		
11	087311016	2	TAPTITE, CUP B M3X10		
12	LE9178001	1	CCD FLAT CABLE GUIDE FILM		
13	LE9182001	1	MAIN COVER, GRAY(1495)		
14	LE9184001	2	SUPPORT CHIP		
15	LE9187001	1	EDGE COVER, GRAY(1495)		
16	LE6282001	2	SCANNER LINK SPRING		
17	LE6283001	2	SCANNER LINK GUIDE		
18	LE6284001	1	SCANNER LINK L		
19	LE6285001	1	SCANNER LINK R		
20	LE9271001	1	REAR COVER ASSY, GRAY(1495)		
21	LE9305001	1	MEDIA FLAT CABLE ASSY(22P)		
22	LE9306001	1	MEDIA FLAT CABLE ASSY(21P)		
23	087320616	23	TAPTITE, CUP S M3X6		
24	002300616	3	SCREW, PAN M3X6		
25	087311016	12	TAPTITE, CUP B M3X10		
26	UF6559001	1	SCREW, PAN (WASHER) M4X8DB		
27	085411216	7	TAPTITE, BIND B M4X12		
28	LE9193001	1	INK REPLACE INSTRUCTION LABEL		
29	LE6649001	1	CONSUMPTION LABEL EXCEPT FOR ARL/NZ/ASA		
29	LE6530001	1	CONSUMPTION LABEL FOR ARL/NZ/ASA		
30	LE9289001	1	MANUAL SLOT LABEL		
31	UG5577000	1	FLAT CORE :33.5-20		
32	LE9310001	1	PS PROTECT FILM		
(33)	UU0456001	1	PROTECTION PAPER		
34	UF5745000	1	MJ COVER, EXT FOR GER/UK/FRA/BEL/DEN/AUS/ITA		
35	LE9365001	1	MANUAL GUIDE STOPPER		



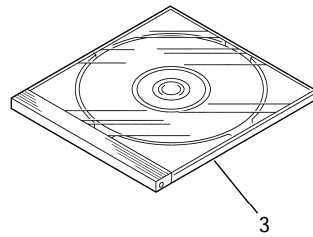
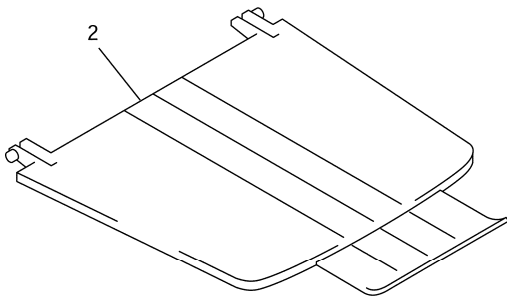
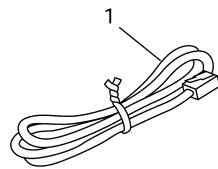
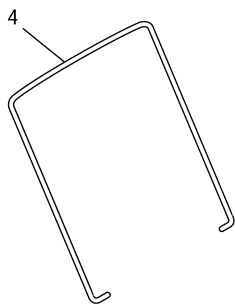
LIST7(PANEL)

REF.No	CODE	QTY	DESCRIPTION	RECOMMEND	REMARKS
1	LE9319001	1	PANEL COVER ASSY (SP) , MFC890 FOR GER/AUS	1	
1	LE9223001	1	PANEL COVER ASSY (SP) , MFC890 FOR UK/BEL/CHE/IRE/GNR	1	
1	LE9344001	1	PANEL COVER ASSY (SP) , MFC890 FOR FRA	1	
1	LE9386001	1	PANEL COVER ASSY (SP) , MFC890 FOR NLD	1	
1	LE9398001	1	PANEL COVER ASSY (SP) , MFC890 FOR DEN/NOR/FIN/SWE	1	
1	LE9405001	1	PANEL COVER ASSY (SP) , MFC890 FOR SPA	1	
1	LE9410001	1	PANEL COVER ASSY (SP) , MFC890 FOR ITA	1	
1	LE9526001	1	PANEL COVER ASSY, MFC5200C FOR ARL/NZ/ASA	1	
1-1	LE9320001	1	CONTROL PANEL ASSY , MFC890 FOR GER/AUS		
1-1	LE9224001	1	CONTROL PANEL ASSY , MFC890 FOR UK/BEL/CHE/IRE/GNR		
1-1	LE9345001	1	CONTROL PANEL ASSY , MFC890 FOR FRA		
1-1	LE9387001	1	CONTROL PANEL ASSY , MFC890 FOR NLD		
1-1	LE9399001	1	CONTROL PANEL ASSY , MFC890 FOR DEN/NOR/FIN/SWE		
1-1	LE9406001	1	CONTROL PANEL ASSY , MFC890 FOR SPA		
1-1	LE9411001	1	CONTROL PANEL ASSY , MFC890 FOR ITA		
1-1	LE9527001	1	CONTROL PANEL ASSY , MFC5200C FOR ARL/NZ/ASA		
1-2	LE3431001	1	KEY, TEN, GRAY(1495)		
1-3	LE9228001	1	KEY, CYLINDER 13, GREEN(5159)		
1-4	LE9228004	1	KEY, CYLINDER 13, PURPLE(6255)		
1-5	LE6171005	1	KEY, CYLINDER9.5, GRAY(1496)		
1-6	LE6171001	1	KEY, CYLINDER9.5, GRAY(1495)		
1-7	LE3295001	9	KEY, CYLINDER 6, GRAY(1495)		
1-8	LE3295003	1	KEY, CYLINDER 6, GRAY(1496)		
1-9	LE6350001	1	KEY, OVAL, GRAY(1495) GER/AUS		
1-9	LE6170002	1	KEY, OVAL, PINK(2205) EXCEPT FOR GER/AUS		
1-10	LE6350001	1	KEY, PRINTED OVAL, GRAY(1495) FOR GER/AUS		
1-10	LE6079001	1	KEY, PRINTED OVAL, GRAY(1495) EXCEPT FOR		
1-11	LE6168001	2	KEY, CURSOR L, PURPLE(6255)		
1-12	LE6169001	2	KEY, CURSOR S, PURPLE(6255)		
1-13	LG4191001	1	CONTROL PANEL PCB ASSY, MFC890		
1-13	LG4193001	1	CONTROL PANEL PCB ASSY, MFC5200C		
1-14	LJ8529001	1	LCD, MFC890		
1-14	UG4552000	1	LCD, MFC5200C		
1-15	LG3230001	1	FPC KEY		
1-16	087310615	9	TAPTITE, CUP B M3X6		
1-17	LE9225001	1	LCD SHEET, MFC890	1	
1-17	LE9522001	1	LCD SHEET, MFC5200C	1	
1-18	LG3446001	1	BACK LIGHT PCB ASSY, MFC890	1	
1-19	LE7353001	1	BACK LIGHT HOLDER, MFC890	1	
1-20	LE7354001	1	BACK LIGHT FILM, MFC890	1	



LIST8(PCB)

REF.No	CODE	QTY	DESCRIPTION	RECOMMEND	REMARKS
1	LG3966021	1	MAIN PCB ASSY, MFC890, MFC5200C FOR ARL/NZ	1	
1	LG3966023	1	MAIN PCB ASSY, MFC5200C FOR ASA	1	
2	LG4207063	1	NCU PCB ASSY, MFC890	1	
2	LG3689066	1	NCU PCB ASSY, MFC5200C	1	
3	LG3884001	1	NCU MAIN HARNESS, MFC890		
3	LG3884003	1	NCU MAIN HARNESS, MFC5200C FOR ARL/NZ		
3	LG3884002	1	NCU MAIN HARNESS, MFC5200C FOR ASA		
4	LG3882001	1	POWER SUPPLY UNIT, MFC890, MFC5200C FOR ARL/NZ	1	
4	LG4330001	1	POWER SUPPLY UNIT, MFC5200C FOR ASA	1	
5	LG3875001	1	POWER SUPPLY HARNESS		



LIST9(Accessories)

REF.No	CODE	QTY	DESCRIPTION	RECOMMEND	REMARKS
1	UG3625001	1	TELEPHONE LINE CORD FOR GER		
1	UG3626001	1	TELEPHONE LINE CORD FOR UK		
1	UG3627001	1	TELEPHONE LINE CORD FOR FRA		
1	UG1575001	1	TELEPHONE LINE CORD FOR BEL		
1	LG3077001	1	TELEPHONE LINE CORD FOR NLD/IRE/SPA/ASA/ARL/NZ/GNR		
1	UG3469000	1	TELEPHONE LINE CORD FOR CHE		
1	UG3633001	1	TELEPHONE LINE CORD FOR DEN		
1	UG4205001	1	TELEPHONE LINE CORD FOR AUS		
1	UG3634001	1	TELEPHONE LINE CORD FOR ITA		
1	UG3629001	1	TELEPHONE LINE CORD NOR FOR NOR/FIN/SWE		
1	UG3635001	1	TELEPHONE LINE CORD SWE FOR NOR/FIN/SWE		
1	UG3632001	1	TELEPHONE LINE CORD FIN FOR NOR/FIN/SWE		
1	UG3290001	1	TELEPHONE LINE CORD FIN FOR ASA/ARL/NZ		
2	LE6398002	1	OUTPUT PAPER SUPPORT ASSY, PURPLE(6255)		
3	LE9321004	4	CD-ROM ASSY FOR GER/UK/FRA/IRE/AUS		DEL
3	LE9385001	1	CD-ROM ASSY FOR BEL/NLD/GNR/NOR/FIN/SWE		
3	LE9391001	1	CD-ROM ASSY FOR CHE/GER/UK/FRA/IRE/AUS		CHG
3	LE9419001	1	CD-ROM ASSY FOR DEN/NOR/FIN/SWE		
3	LE9400001	1	CD-ROM ASSY FOR SPA/ITA		
3	LE9524001	1	CD-ROM ASSY FOR ASA/ARL/NZ		
4	LE6821001	1	INPUT PAPER SUPPORT		
(5)	ZA0310001	1	HEAD CLEANER STICK ASSY	1	
(6)	LK0504001	1	GLYCEROL CLEAN FLUID	1	
(7)	UF8263001	1	TEST CHART-027		
(8)	UF9258001	1	COLOR TEST CHART CTC-001		
(9)	UF4600001	1	CONTRAST CHART TC-023		
(10)	LE0019001	1	FERRITE CORE BAG ASSY		
(11)	LE6455001	1	FORM EMPTY CARTRIDGE UNIT	1	
(12)	LG2085001	1	AC CORD BAG ASSY FOR GER/FRA/BEL/NLD/AUS/SPA/ITA/GNR/SWE/FIN/ASA	1	
(12)	LG2086001	1	AC CORD BAG ASSY FOR UK/IRE/ASA	1	
(12)	LG2087001	1	AC CORD BAG ASSY FOR CHE	1	
(12)	LG2181001	1	AC CORD BAG ASSY FOR DEN	1	
(12)	LG2162001	1	AC CORD BAG ASSY FOR ARL/NZ	1	
(13)	LG3622001	1	TELEPHONE PLUG FOR NLD		
(13)	LG3509001	1	TELEPHONE PLUG FOR ARL		
(14)	LA3700001	1	USB I/F CABLE FOR GER/UK/BEL/IRE/AUS/ASA/ARL/NZ/GNR		
(15)	UG3468000	1	BT-MJ ADAPTER FOR ASA		
(16)	LK0505001	1	INITIAL LIQUID CARTRIDGE ASSY (SP)	1	add

LIST10(PRINTED MATERIAL)

REF.No	CODE	Q'TY	DESCRIPTION	RECOMMEND	REMARKS
(1)	LE9322003	1	USER'S GUIDE ASSY, MFC890 FOR GER/AUS (INCLUDING USER'S GUIDE, WARRANTY CARD, INPUT PAPER SUPPORT)	1	
(1)	LE9339004	1	USER'S GUIDE ASSY, MFC890 FOR UK (INCLUDING USER'S GUIDE, 3 WARRANTY CARDS, INPUT PAPER SUPPORT)	1	
(1)	LE9343005	1	USER'S GUIDE ASSY, MFC890 FOR FRA (INCLUDING USER'S GUIDE, 2 WARRANTY CARDS, INPUT PAPER SUPPORT)	1	
(1)	LE9383008	1	USER'S GUIDE ASSY, MFC890 FOR BEL (INCLUDING 2 USER'S GUIDES, WARRANTY CARD, INPUT PAPER SUPPORT)	1	
(1)	LE9388009	1	USER'S GUIDE ASSY, MFC890 FOR NLD (INCLUDING USER'S GUIDE, WARRANTY CARD, INPUT PAPER SUPPORT)	1	
(1)	LE9392010	1	USER'S GUIDE ASSY, MFC890 FOR CHE (INCLUDING 2 USER'S GUIDES, WARRANTY CARD, INPUT PAPER SUPPORT)	1	
(1)	LE9396011	1	USER'S GUIDE ASSY, MFC890 FOR IRE/NOR/FIN/SWE (INCLUDING USER'S GUIDE, WARRANTY CARD, INPUT PAPER SUPPORT)	1	
(1)	LE9401013	1	USER'S GUIDE ASSY, MFC890 FOR DEN (INCLUDING USER'S GUIDE, WARRANTY CARD, INPUT PAPER SUPPORT)	1	
(1)	LE9407015	1	USER'S GUIDE ASSY, MFC890 FOR SPA (INCLUDING USER'S GUIDE, 2 WARRANTY CARDS, INPUT PAPER SUPPORT)	1	
(1)	LE9412016	1	USER'S GUIDE ASSY, MFC890 FOR ITA (INCLUDING USER'S GUIDE, WARRANTY CARD, INPUT PAPER SUPPORT)	1	
(1)	LE9415054	1	USER'S GUIDE ASSY, MFC890 FOR GNR (INCLUDING USER'S GUIDE, INPUT PAPER SUPPORT)	1	
(1)	LE9519001	1	USER'S GUIDE ASSY, MFC5200C FOR ASA/ARL/NZ (INCLUDING USER'S GUIDE, INPUT PAPER SUPPORT)	1	
(1-1)	LE9323003	1	USER'S GUIDE, MFC890 FOR GER/AUS		
(1-1)	LE9323004	1	USER'S GUIDE, MFC890 FOR UK/IRE/GNR/NOR/FIN/SWE		
(1-1)	LE9323005	1	USER'S GUIDE, MFC890 FOR FRA		
(1-1)	LE9323008	1	USER'S GUIDE, MFC890 FOR BEL<DUTCH>		
(1-1)	LE9395008	1	USER'S GUIDE, MFC890 FOR BEL/CHE<FRENCH>		
(1-1)	LE9323009	1	USER'S GUIDE, MFC890 FOR NLD		
(1-1)	LE9323010	1	USER'S GUIDE, MFC890 FOR CHE<GERMAN>		
(1-1)	LE9323013	1	USER'S GUIDE, MFC890 FOR DEN		
(1-1)	LE9323015	1	USER'S GUIDE, MFC890 FOR SPA		
(1-1)	LE9323016	1	USER'S GUIDE, MFC890 FOR ITA		
(1-1)	LE9520001	1	USER'S GUIDE, MFC5200C FOR ASA/ARL/NZ		

LIST11(PACKAGING)

REF.No	CODE	QTY	DESCRIPTION	RECOMMEND	REMARKS
(1)	LE9440001	1	CARTON, BROTHER, MFC890 FOR GER	1	
(1)	LE9442001	1	CARTON, BROTHER, MFC890 FOR UK	1	
(1)	LE9444001	1	CARTON, BROTHER, MFC890 FOR FRA	1	
(1)	LE9325001	1	CARTON, BROTHER, MFC890 FOR BEL/NLD/CHE/IRE/DEN/AUS/SPA/ITA/NOR/FIN/SWE	1	
(1)	LE9528001	1	CARTON, BROTHER, MFC890 FOR ASA/ARL/NZ	1	
(2)	LE9212001	1	POLYSTYRENE FOAM ASSY		
(3)	LE6625001	1	SHEET, 400X450		
(4)	LJ0763001	1	BAG, 1000X1000H		
(5)	LE6317001	1	CARTON FOR MANUAL		
(6)	LE9324001	1	QUICK SETUP GUIDE FOR GER/AUS		
(6)	LE9338001	1	QUICK SETUP GUIDE FOR UK/IRE		
(6)	LE9342001	1	QUICK SETUP GUIDE FOR FRA		
(6)	LE9381001	1	QUICK SETUP GUIDE FOR BEL<DUTCH>		
(6)	LE9382001	1	QUICK SETUP GUIDE FOR BEL/CHE<FRENCH>		
(6)	LE9390001	1	QUICK SETUP GUIDE FOR NLD		
(6)	LE9394001	1	QUICK SETUP GUIDE FOR CHE<GERMAN>		
(6)	LE9403001	1	QUICK SETUP GUIDE FOR DEN		
(6)	LE9409001	1	QUICK SETUP GUIDE FOR SPA		
(6)	LE9414001	1	QUICK SETUP GUIDE FOR ITA		
(6)	LE9417001	1	QUICK SETUP GUIDE FOR GNR		
(6)	LE9420001	1	QUICK SETUP GUIDE FOR NOR/FIN/SWE <ENGLISH>		
(6)	LE9424001	1	QUICK SETUP GUIDE FOR NOR/FIN/SWE <DANISH>		
(6)	LE9421001	1	QUICK SETUP GUIDE FOR NOR/FIN/SWE <NORWEGIAN>		
(6)	LE9422001	1	QUICK SETUP GUIDE FOR NOR/FIN/SWE <SWEDISH>		
(6)	LE9423001	1	QUICK SETUP GUIDE FOR NOR/FIN/SWE <FINNISH>		
(6)	LE9523001	1	QUICK SETUP GUIDE FOR ASA/ARL/NZ		
(7)	LE9216001	1	CARRIAGE STOPPER		
(8)	LE9352001	1	WIPER STOPPER ASSY		