



FACSIMILE EQUIPMENT

PARTS REFERENCE LIST

MODEL: MFC9760 / MFC9860 / MFC9880

**(For Germany / United Kingdom / France /
Norway / Belgium / Netherlands /
Switzerland / Ireland / Denmark /
Austria / Spain / Italy / Sweden /
Euro Generic)
(For Australia / New Zealand / Asia)**

NOTES FOR USING THIS PARTS REFERENCE LIST

1. In the case of ordering parts, it needs mentioning the following items:

- (1) Code
- (2) Q' ty
- (3) Description

Note: No orders without Parts Code or Tool No. can be accepted.

[Example]

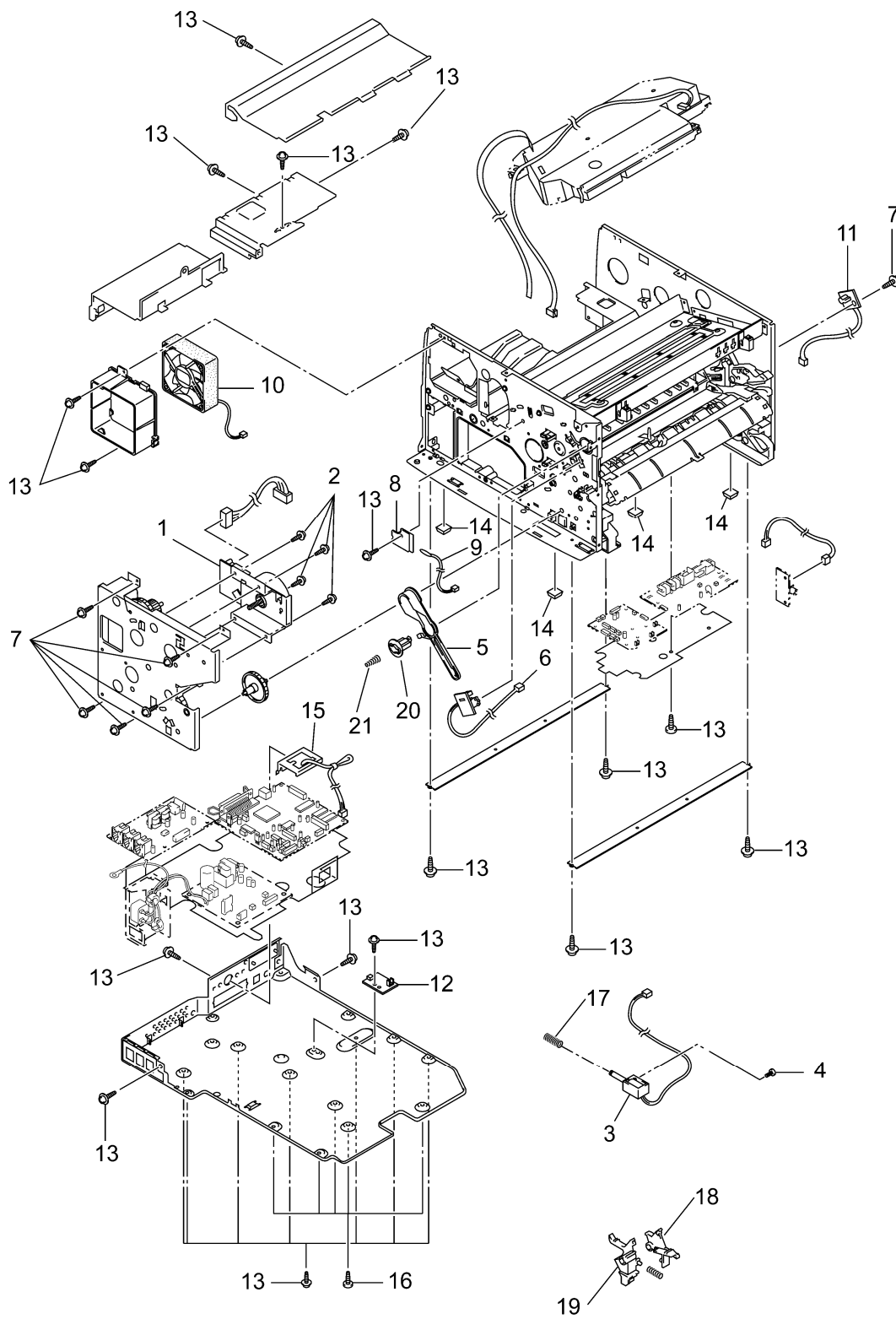
REF.NO.	CODE	Q' TY	DESCRIPTION	RECOMMEND	REMARKS

2. Parts change will be informed by the technical information.

COUNTRIES

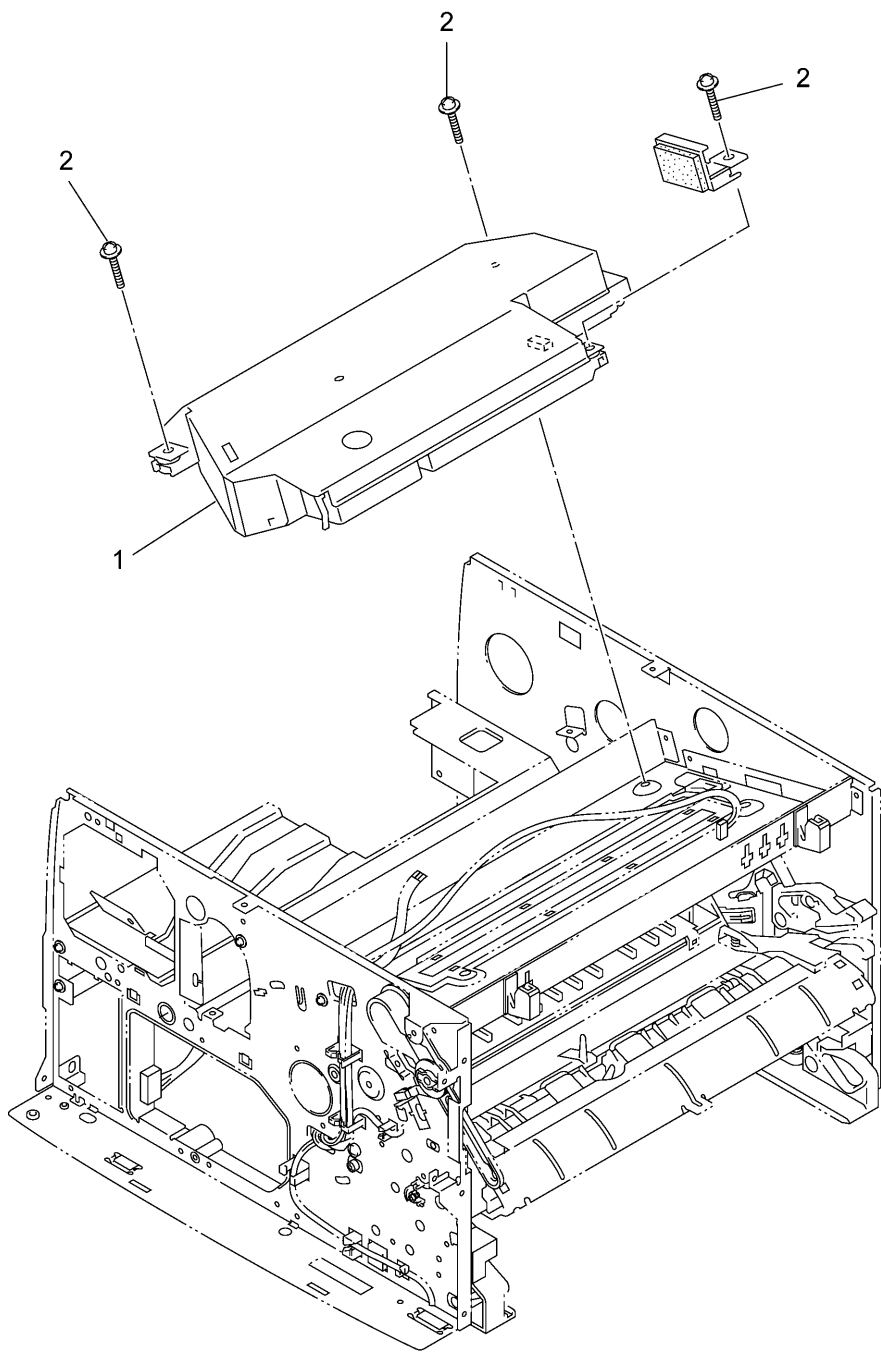
GERMANY ---- GER
UNITED KINGDOM ---- UK
FRANCE ---- FRA
NORWAY ---- NOR
BELGIUM ---- BEL
NETHERLANDS ---- NLD
SWITZERLAND ---- CHE
IRELAND ---- IRE
DENMARK ---- DEN
AUSTRIA ---- AUS
SPAIN ---- SPA
ITALY ---- ITA
SWEDEN ---- SWE
EURO GENERIC ---- GNR

AUSTRALIA ---- ARL
NEW ZEALAND ---- NZ
ASIA ---- ASA



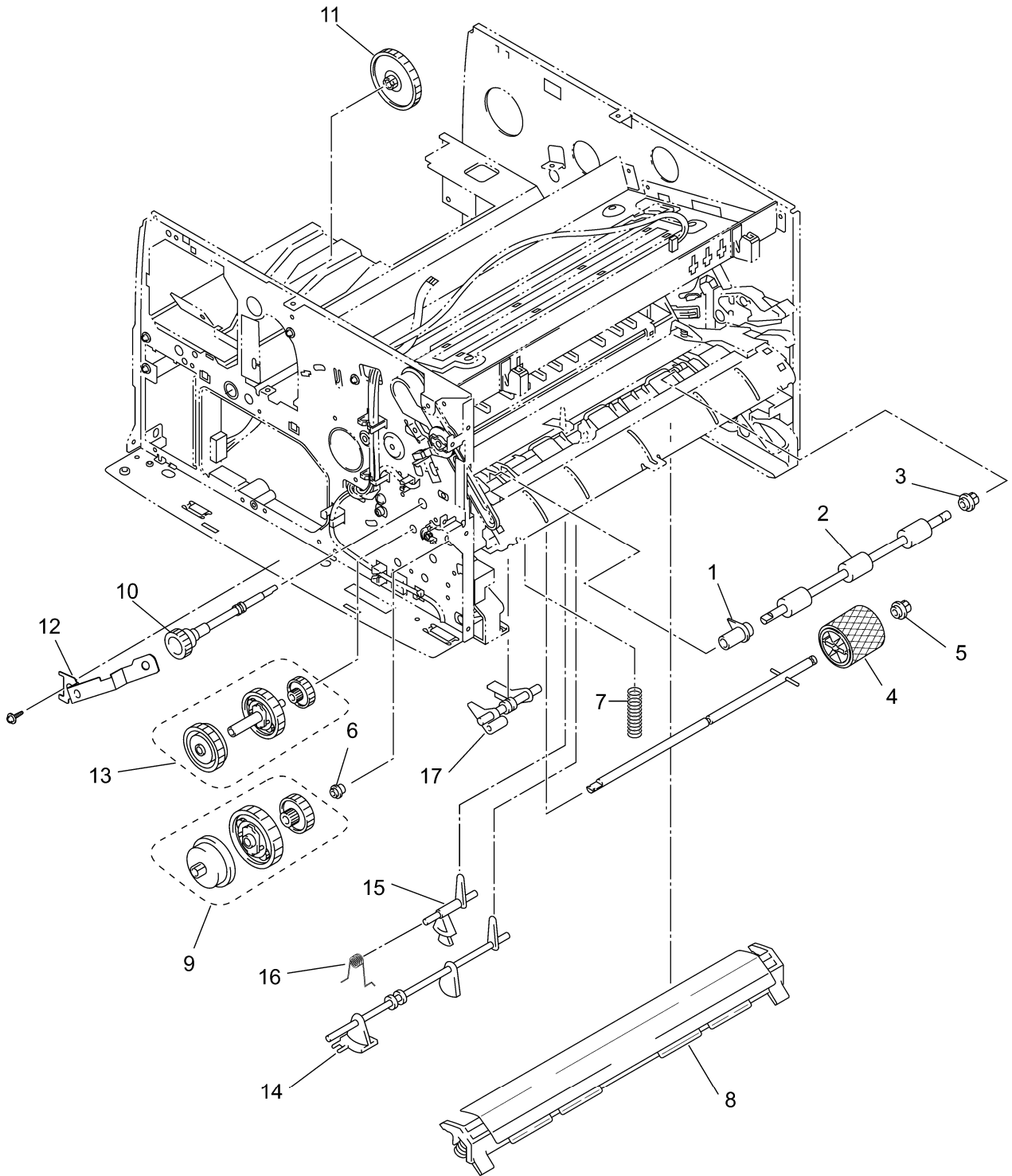
LIST1(MAIN FRAME)

REF No.	CODE	Q'TY	DESCRIPTION	RECOMMEND	REMARK
1	LE1744001	1	MAIN MOTOR ASSY		
2	087320616	4	TAPTITE, CUP S M3X6		
3	LJ5701001	1	SOLENOID ASSY		
4	000300415	1	SCREW, BIND M3X4		
5	UL8984001	1	FRONT COVER LINK		
6	LJ5704001	1	TONER SENSOR (LED) PCB		
7	087320616	6	TAPTITE, CUP S M3X6		
8	LE1166001	1	THERMISTOR FILM		
9	LG2423001	1	IN CASING TEMPERATURE THERMISTOR		
10	LJ4745001	1	FAN		
11	UL9104001	1	TONER SENSOR (RECEIVER) PCB		
12	LG2438001	1	PAPER EJECTION SENSOR PCB		
13	087320616	21	TAPTITE, CUP S M3X6		
14	UL8507001	4	RUBBER FOOT		
15	LJ8031001	1	2ND CASSETTE RELAY PCB		
16	085411215	5	SCREW, BIND B TITE M4X12		
17	LJ5703001	1	SOLENOID RELEASE SPRING		
18	UL8972001	1	P/R CLUTCH LEVER		
19	UL8971001	1	F/R CLUTCH LEVER		
20	UL8982001	1	DEVELOP JOINT		
21	UL8983001	1	JOINT SPRING		



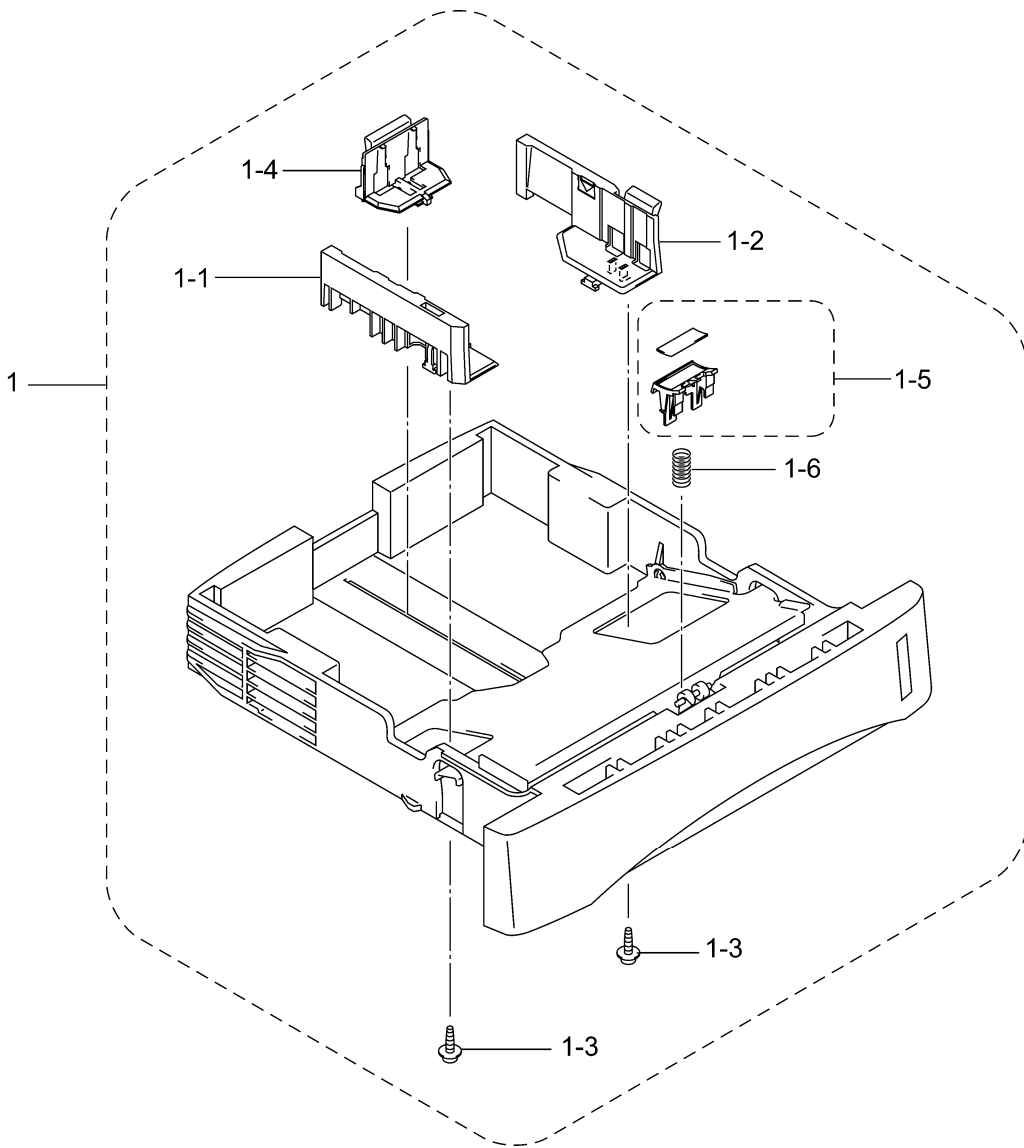
LIST2(LASER UNIT)

REF No.	CODE	Q'TY	DESCRIPTION	RECOMMEND	REMARK
1	LJ5828001	1	LASER UNIT(SP)	1	
2	087321615	3	TAPTITE, CUP S M3X16		



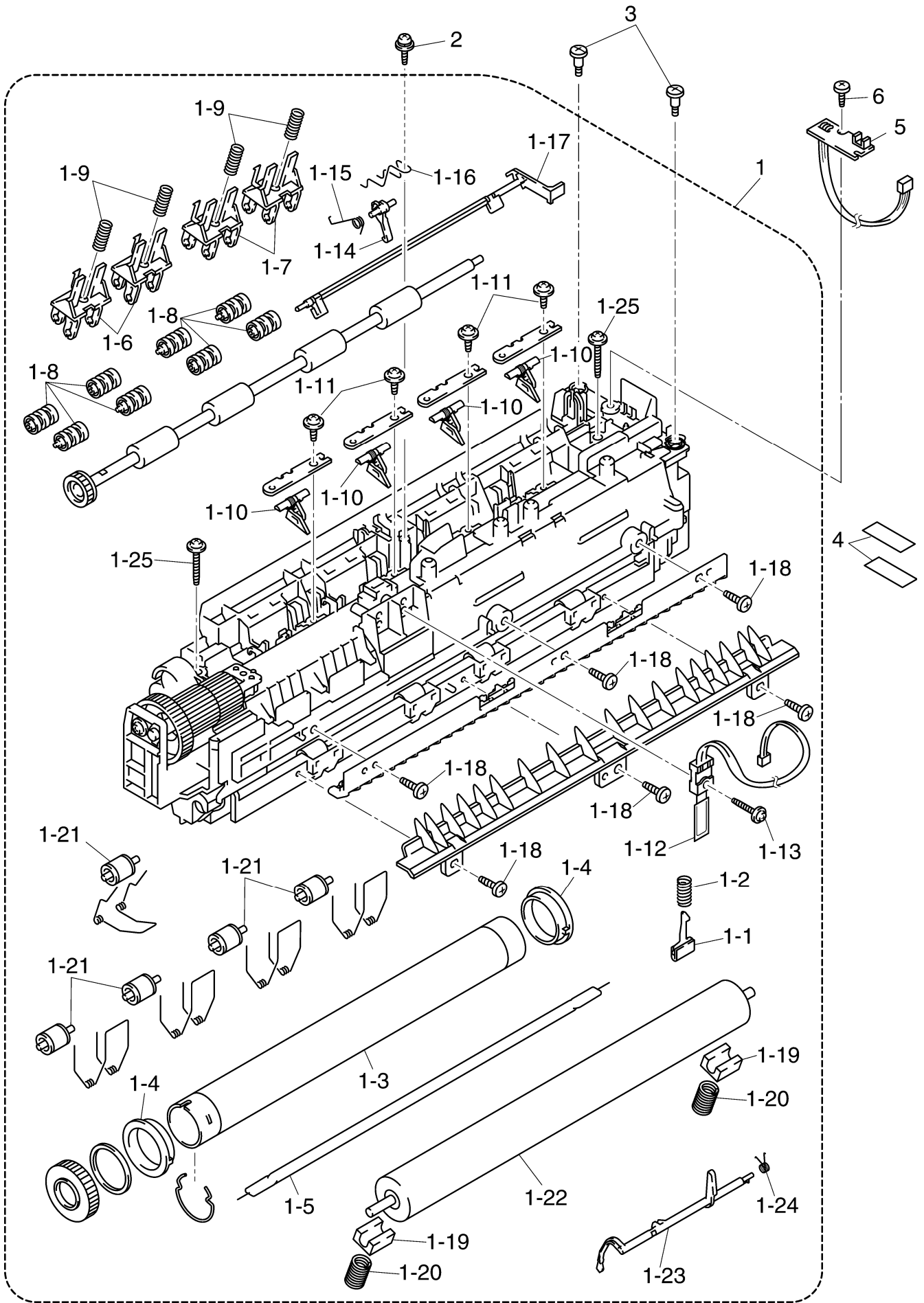
LIST3(PAPER TRANSPORT)

REF No.	CODE	Q'TY	DESCRIPTION	RECOMMEND	REMARK
1	UL9059001	1	JOINT		
2	UL9060001	1	PAPER FEED ROLLER ASSY		
3	UL9062001	1	PAWLED BUSHING		
4	UL9066001	1	PAPER PICK-UP ROLLER		
5	UL9062001	1	PAWLED BUSHING		
6	UL9069001	1	CONDUCTOR BUSHING		
7	LJ4499001	1	ELECTRODE SPRING		
8	LJ4843001	1	OUTER CHUTE 1 (SP)		
9	LJ5591001	1	PICKUP ROLLER PLANETARY GEAR ASSY (SP)		
10	UL9070001	1	GEAR 21		
11	UL8985001	1	GEAR 59		
12	LJ5705001	1	GEAR 21 PRESSURE PLATE		
13	LJ5838001	1	FEED ROLLER PLANETARY GEAR ASSY (SP)		
14	UL9049001	1	MANUAL INSERTION SENSOR ACTUATOR		
15	UL9050001	1	REGISTRATION SENSOR ACTUATOR		
16	UL9051001	1	REGISTRATION SENSOR SPRING		
17	UU2042001	1	CASSETTE SENSOR ACTUATOR		



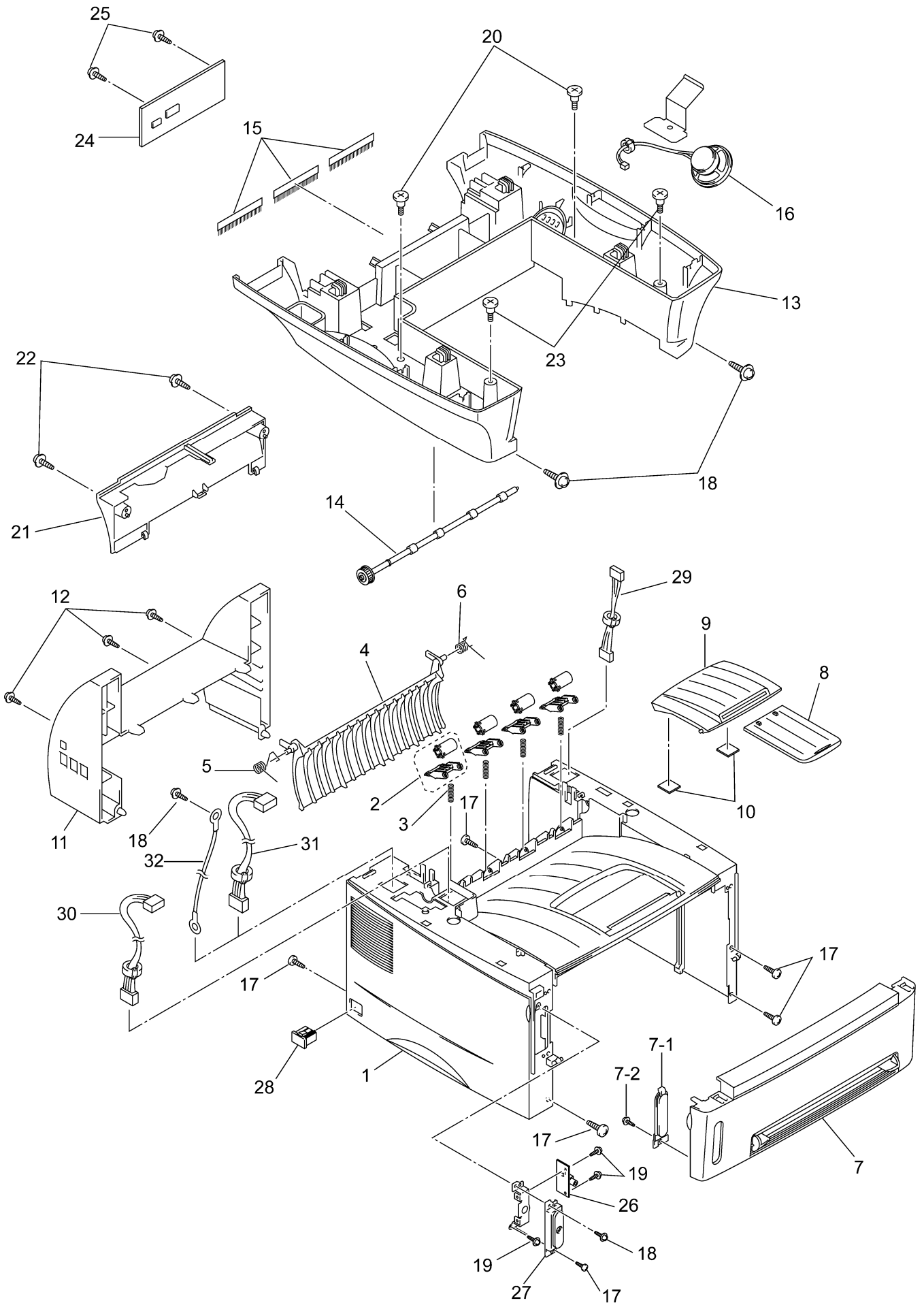
LIST4(PAPER TRAY)

REF No.	CODE	Q'TY	DESCRIPTION	RECOMMEND	REMARK
1	LJ4181001	1	PAPER TRAY ASSY (SP)	1	
1-1	UL9078001	1	SIDE GUIDE L, BLUE(6155)		
1-2	UL9079001	1	SIDE GUIDE R, BLUE(6155)		
1-3	U73515001	2	SCREW, CUP B M2.6X5		
1-4	UL9083001	1	PAPER REAR GUIDE, BLUE(6155)		
1-5	UL9084001	1	SEPARATION PAD SUPPORT ASSY		
1-6	UL9090001	1	SEPARATION PAD SPRING		



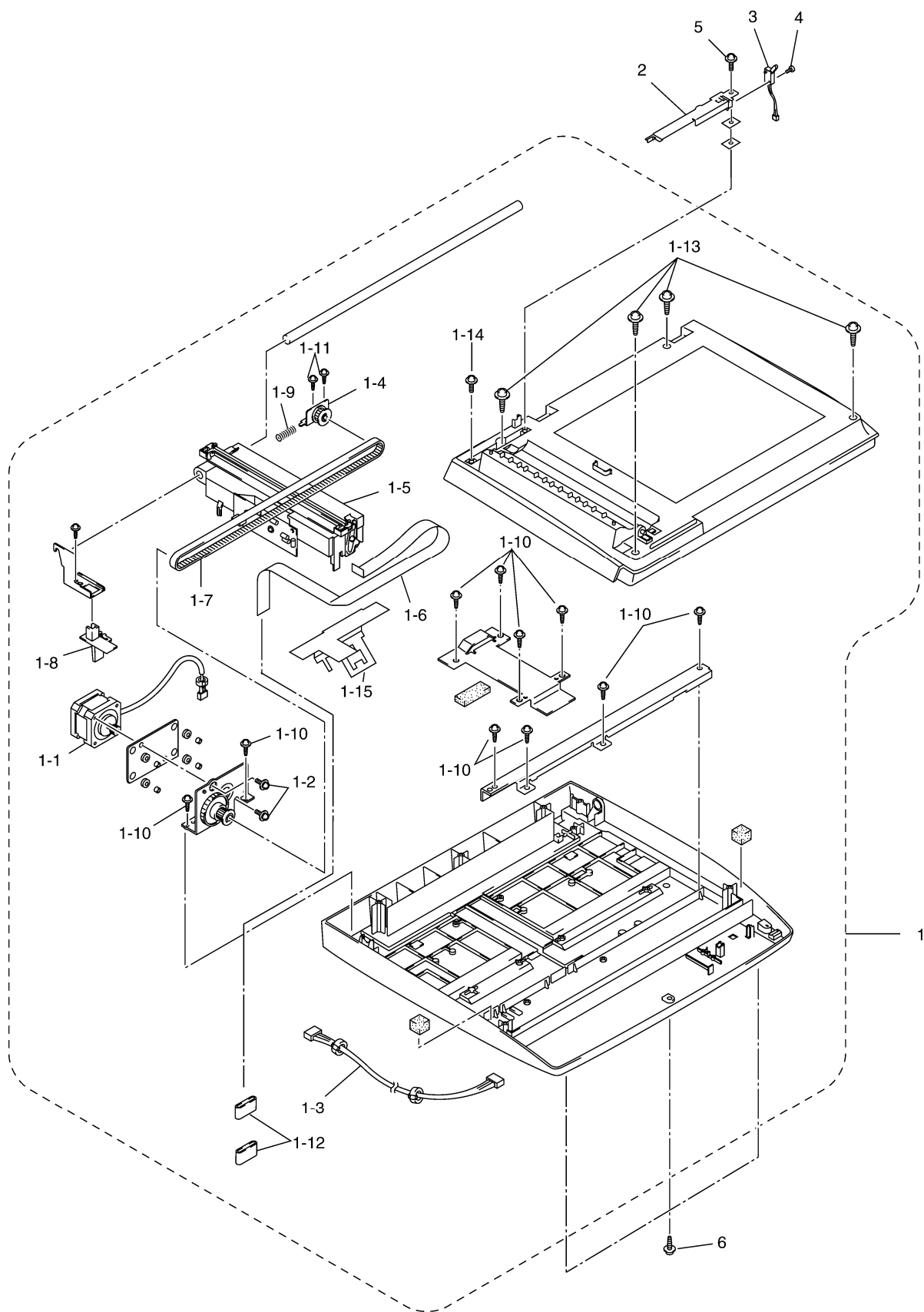
LIST5(HEAT FIXING UNIT)

REF No.	CODE	Q'TY	DESCRIPTION	RECOMMEND	REMARK
1	LJ7162001	1	FIXING UNIT, 230V (SP)	1	
1-1	LJ5682001	1	CLEANER ASSY		
1-2	UH3635001	1	CLEANER SPRING 30		
1-3	LJ5684001	1	HEAT ROLLER 25		
1-4	UL8908001	2	HR BEARING 25		
1-5	LJ5695001	1	HALOGEN LAMP, 230V		
1-6	LJ5276001	2	EJECT PINCH ROLLER HOLDER L		
1-7	LJ5277001	2	EJECT PINCH ROLLER HOLDER R		
1-8	LJ5278001	8	EJECT PINCH ROLLER		
1-9	LJ5279001	4	EJECT PINCH SPRING		
1-10	LJ5280001	4	PICK OFF FINGER ASSY 2		
1-11	087310615	4	TAPTITE, CUP B M3X6		
1-12	LJ5686001	1	THERMISTOR ASSY		
1-13	085311216	1	SCREW, BIND B TITE 3X12		
1-14	LJ5734001	1	EJECT ACTUATOR 2		
1-15	LJ5732001	1	EJECT ACTUATOR SPRING 2		
1-16	LJ5736001	1	ACTUATOR HOLDER		
1-17	LJ5735001	1	EJECT ACTUATOR 3		
1-18	085311015	6	SCREW, BIND B TITE 3X10		
1-19	UL8916001	2	PR BUSHING		
1-20	LJ5690001	2	PR SPRING		
1-21	LJ5268001	5	CLEANER PINCH ROLLER ASSY		
1-22	LJ5287001	1	PRESSURE ROLLER 25		
1-23	UL8920001	1	PAPER EJECT ACTUATOR		
1-24	UL8921001	1	EJECT ACTUATOR SPRING		
1-25	087312015	2	TAPTITE, CUP B M3X20		
2	087320815	1	TAPTITE, CUP S M3X8		
3	LJ4740001	2	SHOULDER SCREW		
4	LJ4432001	2	TAPE 32X12		
5	LJ8841001	1	JAM SENSOR PCB ASSY		
6	085311015	1	SCREW, BIND B TITE 3X10		



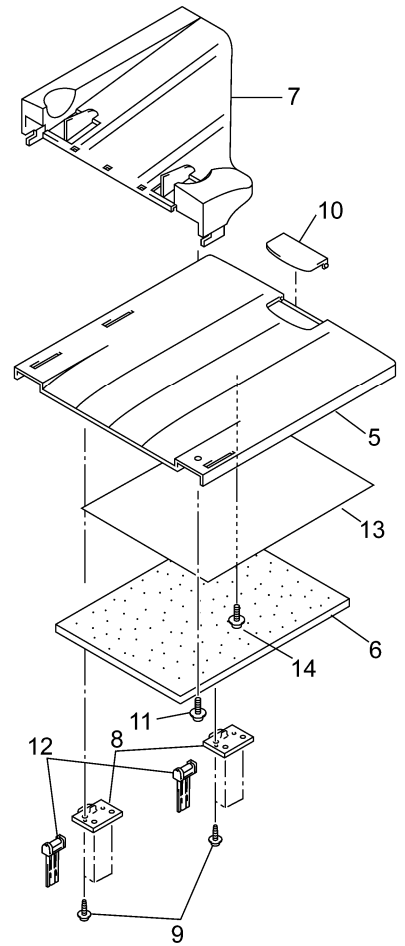
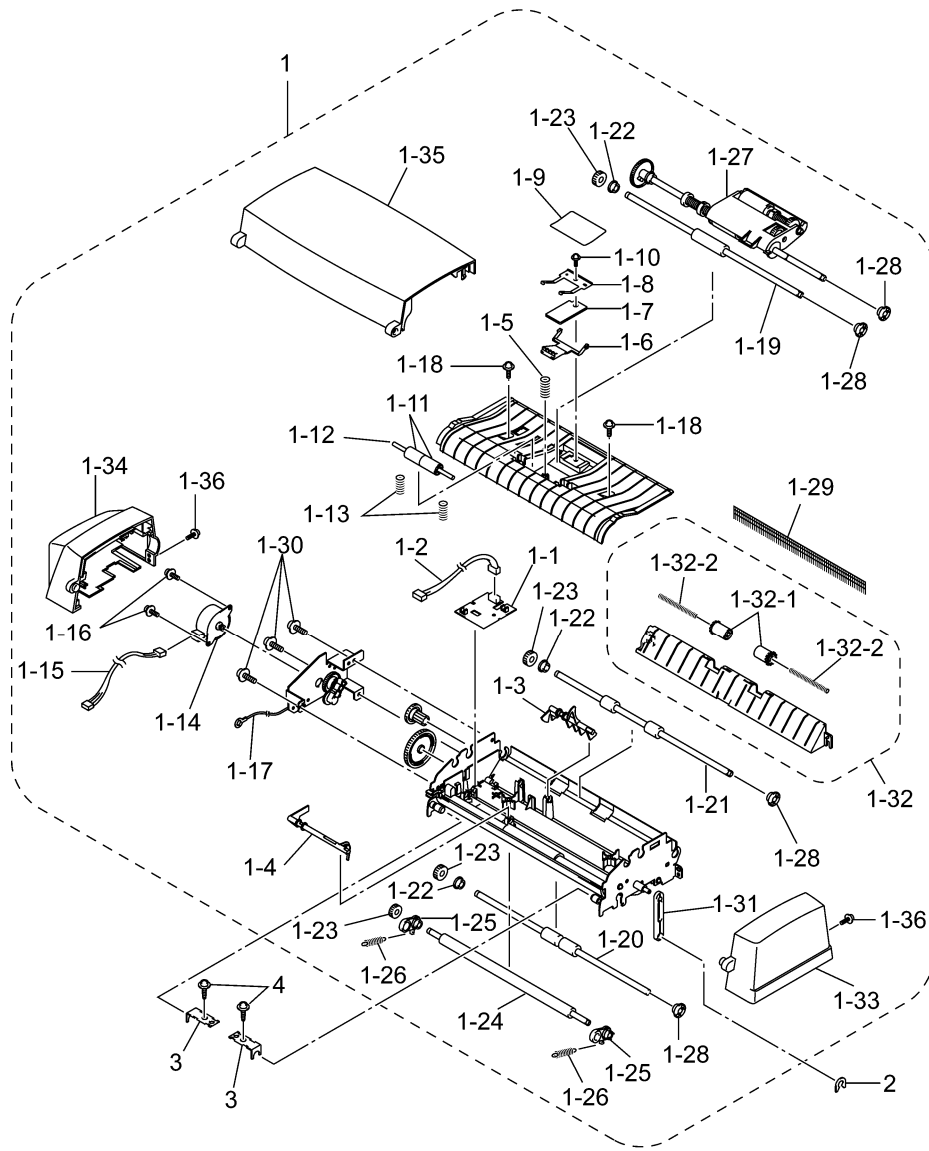
LIST6(COVER)

REF No.	CODE	Q'TY	DESCRIPTION	RECOMMEND	REMARK
1	LJ5751001	1	MAIN COVER ASSY, GRAY(1495)		
2	UL9122001	4	PINCH ROLLER ASSY		
3	UL9125001	4	PINCH ROLLER SPRING		
4	LJ5763001	1	OUTER CHUTE, GRAY(1495)		
5	UL9127001	1	CHUTE SPRING L		
6	UL9128001	1	CHUTE SPRING R		
7	UU2102003	1	FRONT COVER ASSY, GRAY(1495)		
7-1	UU2094001	1	FRONT SUB COVER, GRAY(1495)		
7-2	087310815	1	TAPTITE, CUP B M3X8		
8	LE1197001	1	PAPER SUB TRAY, GRAY(1495)		
9	LE1198001	1	PAPER SUB TRAY COVER, GRAY(1495)		
10	LE1291001	1	TRAY COVER ADHESIVE TAPE		
11	UU2002001	1	REAR COVER, GRAY(1495)		
12	0A5401006	3	SCREW, PAN (S/P WASHER) M4X10		
13	LE1200001	1	SCANNER MOUNT, GRAY(1495)		
14	UL9142001	1	EXIT ROLLER ASSY		
15	LJ4125001	3	ANTI-STATIC BRUSH		
16	LG2425001	1	SPEAKER UNIT		
17	085320816	6	TAPTITE, BIND S M3X8		
18	087321015	4	TAPTITE, CUP S M3X10		
19	----		NOT USED		
20	UF9823001	2	SHOULDER SCREW		
21	LE1202001	1	UPPER REAR COVER		
22	087411216	2	TAPTITE, CUP B M4X12		
23	LE1368001	2	SHOULDER SCREW BIND B M4X8		
24	LG3260001	1	RELAY PCB ASSY	1	
25	087311016	2	TAPTITE, CUP B M3X10		
26	----		NOT USED		
27	----		NOT USED		
28	UU2045001	1	SWITCH COVER, MFC9860/9880		
29	LG3360001	1	MAIN-PANEL HARNESS		
30	LG3361001	1	MAIN-CCD HARNESS		
31	LG3362001	1	MAIN-MOTOR HARNESS		
32	----		NOT USED		
(33)	UF5745000	1	MJ COVER, MFC9860, MFC9880 FOR GER/UK/FRA/BEL/DEN/AUS/ITA/SWE		
(34)	LE8190001	1	SUB BACK COVER, MFC9860		



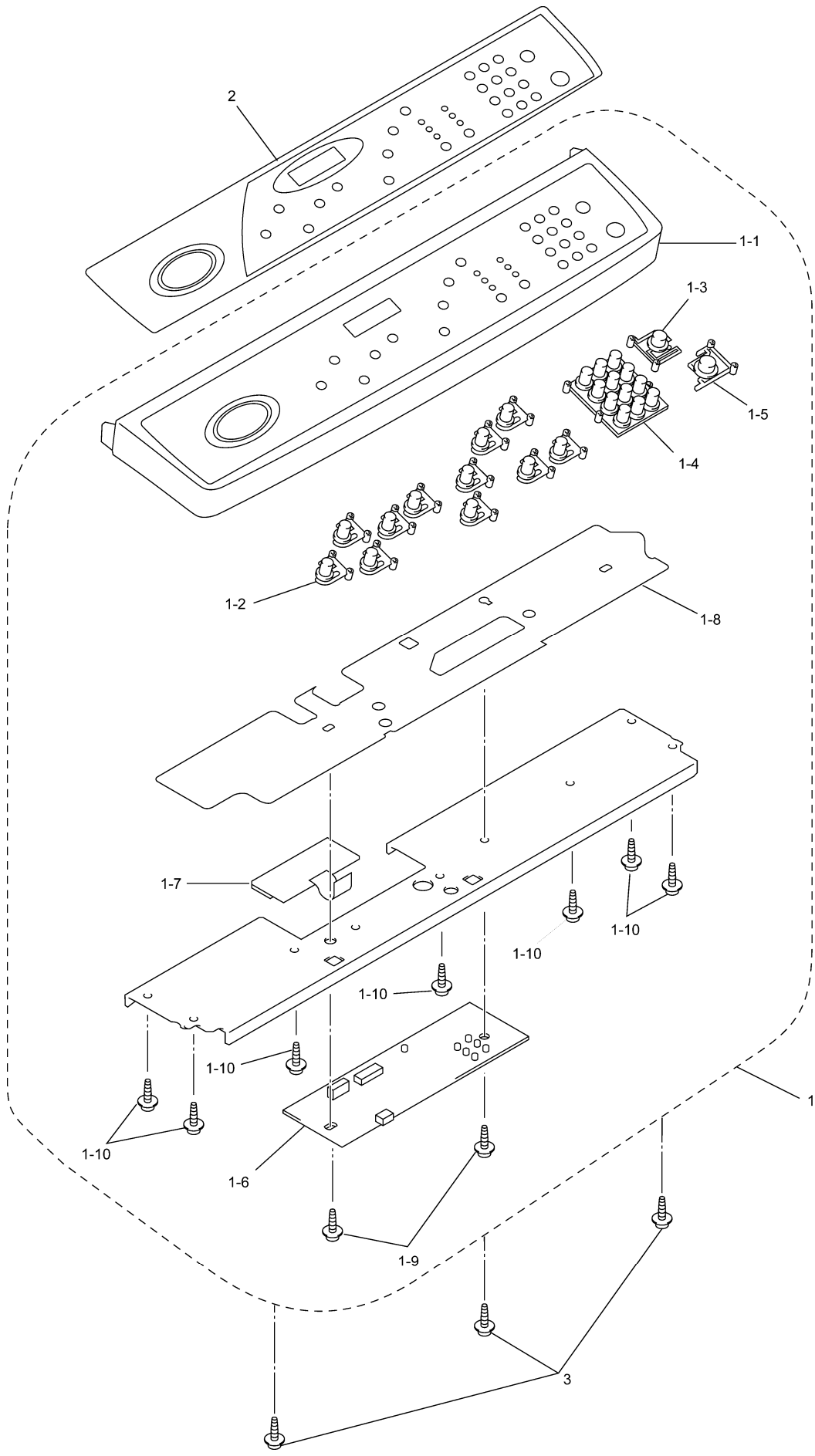
LIST7(DOCUMENT SCANNER)

REF No.	CODE	Q'TY	DESCRIPTION	RECOMMEND	REMARK
1	LE7574001	1	SCANNER UNIT (SP)	1	
1-1	LE3338001	1	CCD MOTOR (INCLUDING HARNESS)		
1-2	0A4300605	2	SCREW, PAN (S/P WASHER) M3X6		
1-3	LG2025001	1	PANEL HARNESS		
1-4	LE3417001	1	PULLEY ASSY		
1-5	LE7777001	1	CCD UNIT ASSY (SP)	1	
1-6	LG2196001	1	CCD FLAT CABLE		
1-7	LE3423001	1	CCD DRIVE BELT		
1-8	LE2082001	1	CCD LOCK		
1-9	LE2079001	1	COMPRESSION SPRING		
1-10	087310815	10	TAPTITE, CUP B M3X8		
1-11	LE2805001	2	TAPTITE, PAN B M3X10		
1-12	LG2020001	2	FLAT CORE (CCD)		
1-13	087411216	4	TAPTITE, BIND B M4X12		
1-14	087310815	1	TAPTITE, CUP B M3X8		
1-15	LE2542001	1	FERRITE CORE SUPPORT		
2	LE3500001	1	HARNESS SUPPORT		
3	LG2737001	1	DOCUMENT COVER SWITCH		
4	LE0832001	1	TAPTITE, PAN P 1.6X8		
5	087311016	1	TAPTITE, CUP B M3X10		
6	087310815	3	TAPTITE, CUP B M3X8		



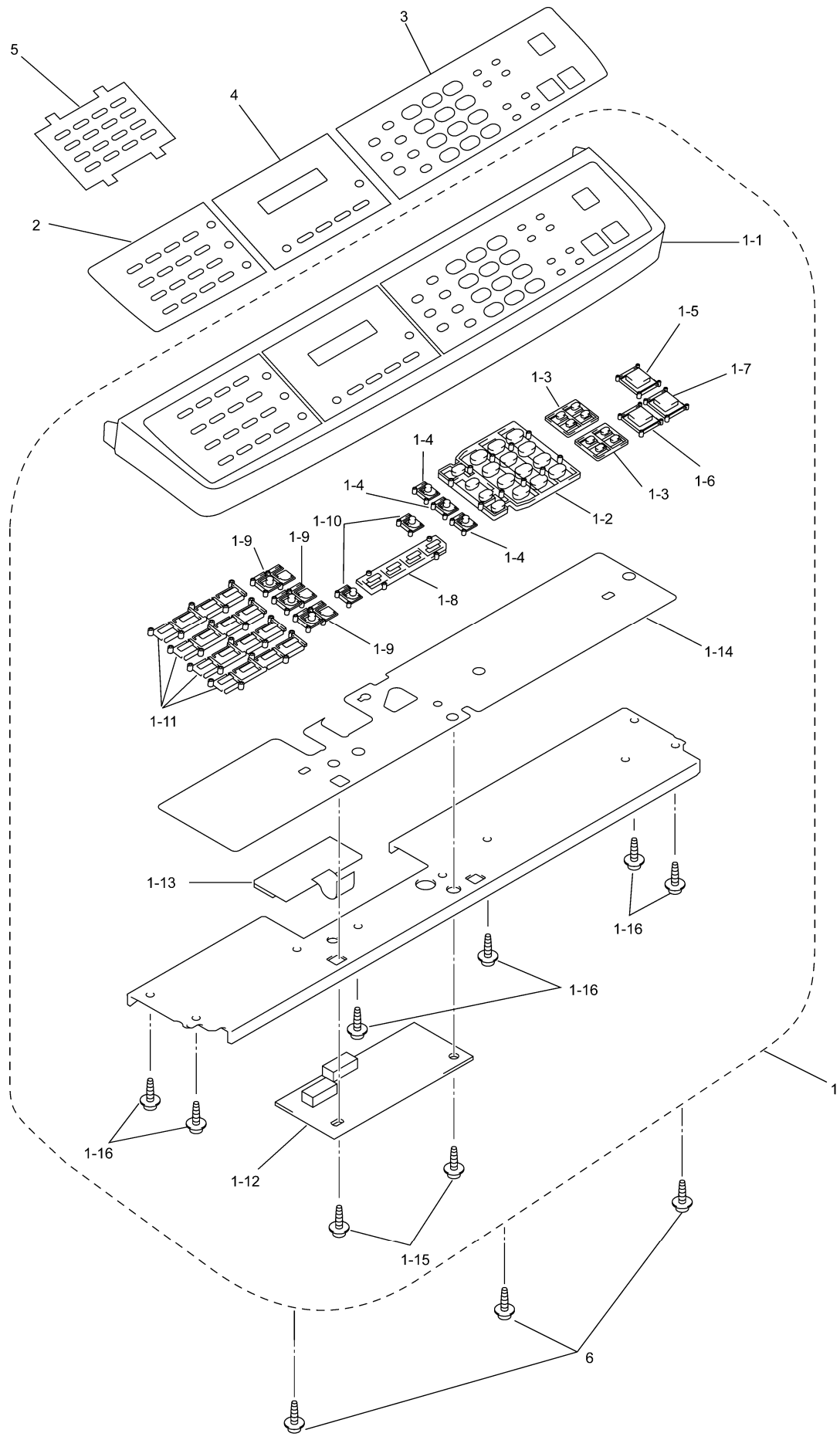
LIST8(ADF&TRAY)

REF No.	CODE	Q'TY	DESCRIPTION	RECOMMEND	REMARK
1	LE1525001	1	ADF UNIT(SP)	1	
1-1	UG6609001	1	DOCUMENT SENSOR PCB		
1-2	LG2014001	1	DOCUMENT SENSOR HARNESS		
1-3	UF7026001	1	DOCUMENT FRONT SENSOR ACTUATOR		
1-4	LE2008001	1	DOCUMENT REAR SENSOR ACTUATOR		
1-5	LE2011001	1	COMPRESSION SPRING		
1-6	LE2551001	1	RUBBER HOLDER A		
1-7	UU2055001	1	SEPARATION RUBBER		
1-8	LE2550001	1	SPRING PLATE A ASSY		
1-9	LE2470001	1	ADF FILM		
1-10	UF6116001	1	TAPTITE, PAN B M3X6		
1-11	UF9009001	2	PRESSER ROLLER		
1-12	LE2471001	1	PRESSURE ROLLER SHAFT		
1-13	LE2472001	2	PRESSURE ROLLER SPRING		
1-14	LE1215001	1	ADF MOTOR		
1-15	LG2201001	1	ADF MOTOR HARNESS		
1-16	0A4300605	2	SCREW, PAN (S/P WASHER) M3X6		
1-17	LG2016001	1	GROUNDING WIRE		
1-18	087310815	2	TAPTITE, CUP B M3X8		
1-19	LE2026001	1	UPPER LF ROLLER (GRAY)		
1-20	LE2029001	1	LOWER LF ROLLER(BLACK)		
1-21	LE2028001	1	DOCUMENT EJECTION ROLLER		
1-22	UF8105001	3	CONDUCTIVE BUSHING		
1-23	UU7039001	4	LF ROLLER GEAR 27		
1-24	LE2030001	1	WHITE ROLLER		
1-25	LE2032001	2	WHITE ROLLER BUSHING		
1-26	LE2033001	2	EXTENSION SPRING		
1-27	LE2919001	1	DOCUMENT FEED ROLLER HOLDER ASSY		
1-27-1	LE2037001	2	DOCUMENT FEED ROLLER (RUBBER)		
1-28	UU1290001	4	CONDUCTIVE BUSHING		
1-29	UU7505001	1	ANTI-STATIC BRUSH		
1-30	087320616	3	TAPTITE, CUP S M3X6		
1-31	UF0208001	1	ADF ARM		
1-32	LE2048001	1	DOCUMENT EJECTION CHUTE ASSY		
1-32-1	LE2582001	2	PINCH ROLLER, GRAY(1267)		
1-32-2	UU2009001	2	PINCH ROLLER SPRING		
1-33	LE2050001	1	ADF SIDE COVER F, GRAY(1495)		
1-34	LE2051001	1	ADF SIDE COVER R, GRAY(1495)		
1-35	LE2534001	1	ADF COVER ASSY, GRAY(1495)		
1-36	087320816	2	TAPTITE, CUP S M3X8		
2	UF8088001	1	PLASTIC RETAINING RING		
3	LE2053001	2	ADF SUPPORT		
4	087310816	2	TAPTITE, CUP B M3X8		
5	LE2056001	1	DOCUMENT TRAY, GRAY(1495)		
6	LE2487001	1	DOCUMENT SPONGE		
7	LE3426001	1	DOCUMENT TRAY ASSY		
8	LE2567001	2	HINGE A, BLACK		
9	087311015	6	TAPTITE, CUP B M3X10		
10	LE2777001	1	DOCUMENT SUPPORT, GRAY(1495)		
11	087320816	1	TAPTITE, CUP S M3X8		
12	LE2568001	2	HINGE HOLDER A		
13	LE1568001	1	DOCUMENT TRAY REINFORCEMENT PLATE		
14	UF6116001	1	TAPTITE, PAN B M3X6		



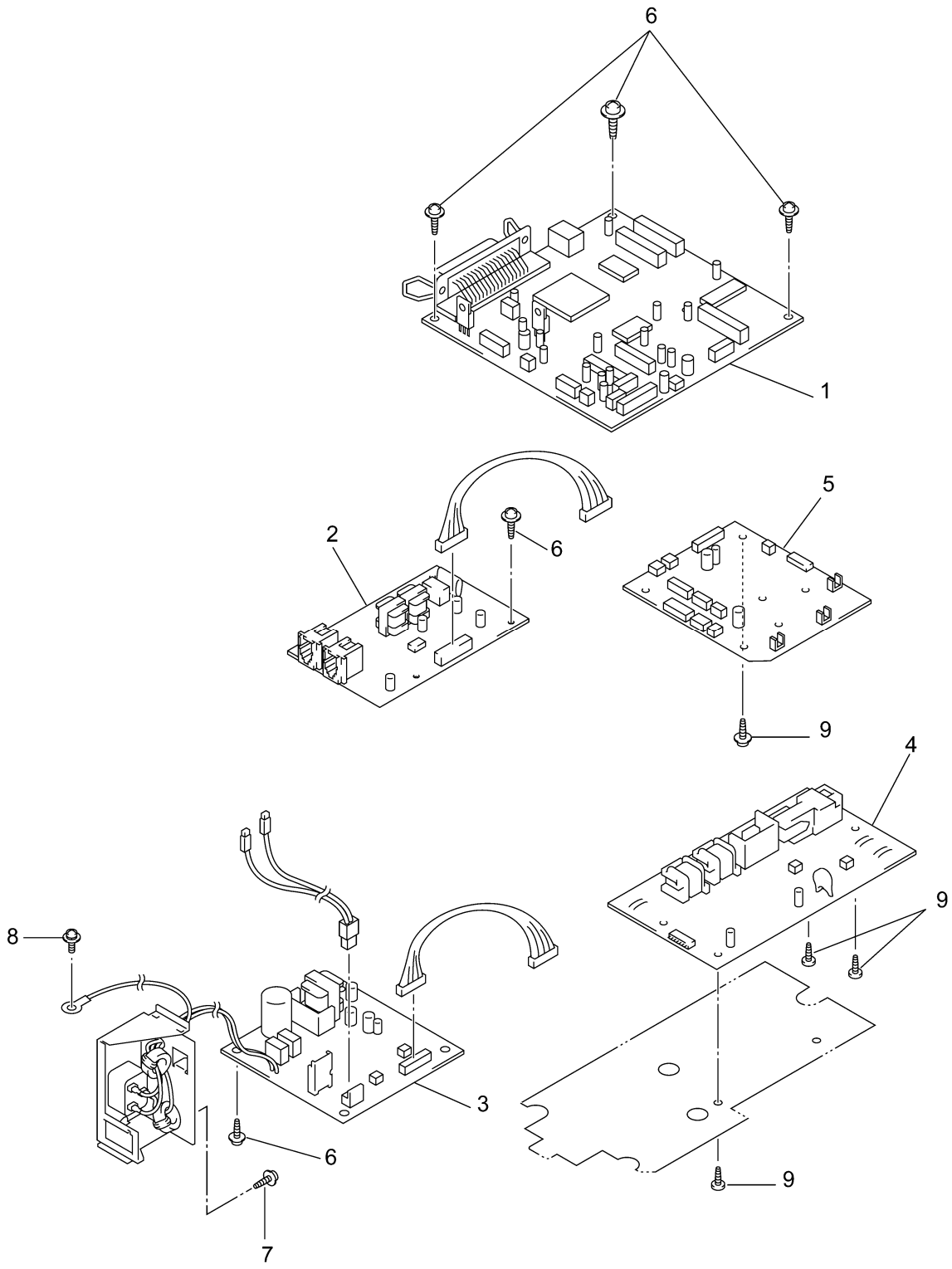
LIST9A(CONTROL PANEL MFC9760)

REF No.	CODE	Q'TY	DESCRIPTION	RECOMMEND	REMARK
1	LE1685001	1	CONTROL PANEL ASSY		
1-1	LE1336001	1	PANEL COVER		
1-2	LJ4283001	8	KEY, FUNCTION		
1-3	LJ4231002	1	KEY, STOP, PINK(2205)		
1-4	LJ4284001	1	KEY, TEN		
1-5	LJ4285001	1	KEY, COPY, GREEN(5159)		
1-6	LG2326001	1	PANEL PCB ASSY		
1-7	UG4552000	1	LCD		
1-8	LG2381001	1	FPC KEY		
1-9	087270815	2	TAPTITE, CUP B M2.6X8		
1-10	087310815	7	TAPTITE, CUP B M3X8		
2	LE7427001	1	PANEL SHEET, MFC9760 FOR GER	1	
2	LE7434001	1	PANEL SHEET, MFC9760 FOR UK/BEL/NLD/CHE/GNR	1	
2	LE7438001	1	PANEL SHEET, MFC9760 FOR FRA	1	
2	LE8016001	1	PANEL SHEET, MFC9760 FOR DEN	1	
2	LE8022001	1	PANEL SHEET, MFC9760 FOR ITA	1	
3	087310815	3	TAPTITE, CUP B M3X8		



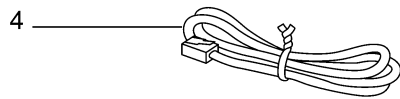
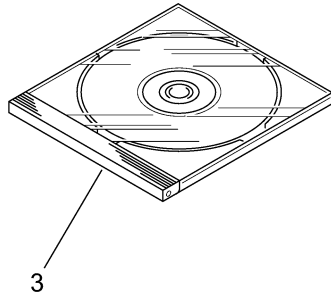
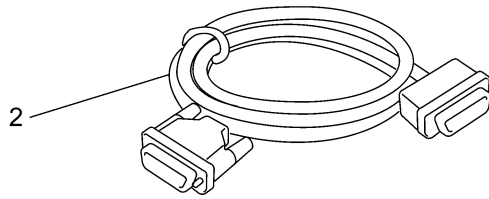
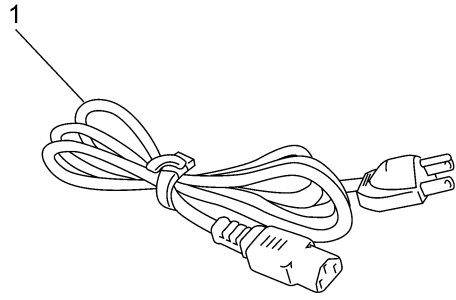
LIST9B(CONT PANEL MFC9860-9880)

REF No.	CODE	Q'TY	DESCRIPTION	RECOMMEND	REMARK
1	LE7080001	1	CONTROL PANEL ASSY, MFC9880, GRAY(1495)	1	
1	LE8092001	1	CONTROL PANEL ASSY, MFC9860, GRAY(1495)	1	
1-1	LE2273001	1	PANEL COVER, GRAY(1495)		
1-2	UF4393007	1	KEY, TEN, MFC9880, GRAY(1495)		
1-2	LE1537007	1	KEY, TEN, MFC9860, GRAY(1495)		
1-3	LE2274001	2	KEY COPY/FAX AREA, GRAY(1495)		
1-4	----		NOT USED		
1-5	UF8174009	1	KEY, COPY, GREEN(5159)		
1-6	UF8174010	1	KEY, STOP, PINK(2205)		
1-7	UF8174011	1	KEY, START, PURPLE(6255)		
1-8	UF8176010	1	KEY, FUNCTION4, BLUE(6134)		
1-9	UF4576008	3	KEY, SHIFT, GRAY(1495)		
1-10	UF4576015	2	KEY, SHIFT, BLUE(6134)		
1-11	UF9118006	4	KEY, ONE TOUCH, GRAY(1495)		
1-12	LG2138001	1	PANEL PCB ASSY		
1-13	UG4552000	1	LCD		
1-14	LG2190001	1	FPC KEY		
1-15	087270815	2	TAPTITE, CUP B M2.6X8		
1-16	087310815	6	TAPTITE, CUP B M3X8		
2	LE8093001	1	PANEL SHEET-1, MFC9860 FOR GER	1	
2	LE7442001	1	PANEL SHEET-1, MFC9880 FOR GER/AUS	1	
2	LE7458001	1	PANEL SHEET-1, MFC9880 FOR UK/BEL/NLD/CHE/IRE/GNR	1	
2	LE7463001	1	PANEL SHEET-1, MFC9880 FOR FRA	1	
2	LE7970001	1	PANEL SHEET-1, MFC9880 FOR NOR	1	
2	LE7988001	1	PANEL SHEET-1, MFC9880 FOR DEN	1	
2	LE7993001	1	PANEL SHEET-1, MFC9880 FOR SPA	1	
2	LE7998001	1	PANEL SHEET-1, MFC9880 FOR ITA	1	
2	LE8004001	1	PANEL SHEET-1, MFC9880 FOR SWE	1	
2	LE7886001	1	PANEL SHEET-1, MFC9880 FOR ARL/NZ/ASA	1	
3	LE7702001	1	PANEL SHEET-2, MFC9860/MFC9880 FOR GER/AUS	1	
3	LE7300001	1	PANEL SHEET-2, MFC9880 FOR UK/BEL/NLD/CHE/IRE/GNR/ARL/NZ/ASA	1	
3	LE7703001	1	PANEL SHEET-2, MFC9880 FOR FRA	1	
3	LE7969001	1	PANEL SHEET-2, MFC9880 FOR NOR	1	
3	LE7987001	1	PANEL SHEET-2, MFC9880 FOR DEN	1	
3	LE7992001	1	PANEL SHEET-2, MFC9880 FOR SPA	1	
3	LE7997001	1	PANEL SHEET-2, MFC9880 FOR ITA	1	
3	LE8003001	1	PANEL SHEET-2, MFC9880 FOR SWE	1	
4	LE7443001	1	LCD SHEET, MFC9860	1	
4	LE7452001	1	LCD SHEET, MFC9880 FOR GER/AUS	1	
4	LE7462001	1	LCD SHEET, MFC9880 FOR UK/BEL/NLD/CHE/IRE/GNR/ ARL/NZ/ASA	1	
4	LE7464001	1	LCD SHEET, MFC9880 FOR FRA	1	
4	LE7971001	1	LCD SHEET, MFC9880 FOR NOR	1	
4	LE7989001	1	LCD SHEET, MFC9880 FOR DEN	1	
4	LE7994001	1	LCD SHEET, MFC9880 FOR SPA	1	
4	LE7999001	1	LCD SHEET, MFC9880 FOR ITA	1	
4	LE8005001	1	LCD SHEET, MFC9880 FOR SWE	1	
5	LE1341001	1	ADDRESS LABEL		
6	087310815	3	TAPTITE, CUP B M3X8		



LIST10(PCB)

REF No.	CODE	Q'TY	DESCRIPTION	RECOMMEND	REMARK
1	LG3487001	1	MAIN PCB, MFC9760	1	
1	LG3518001	1	MAIN PCB, MFC9860/9880	1	
2	LG2295061	1	NCU PCB, MFC9860/9880 FOR GER/UK/FRA/NOR/BEL/ NLD/CHE/IRE/DEN/AUS/SPA/ITA/SWE/GNR	1	
2	LG2819002	1	NCU PCB, MFC9880 FOR ARL/NZ	1	
2	LG2821002	1	NCU PCB, MFC9880 FOR ASA	1	
3	UK4429001	1	PS PCB ASSY	1	
4	LJ5831001	1	HIGH-VOLTAGE PS PCB ASSY(SP)	1	
5	LG3256001	1	ENGINE PCB ASSY		
6	087320616	4	TAPTITE, CUP S M3X6, MFC9760		
6	087320616	5	TAPTITE, CUP S M3X6, MFC9860/9880		
7	084320815	1	SCREW, FLAT S M3X8		
8	0A5350606	1	SCREW, PAN (S/P WASHER) M3.5X6		
9	085411215	4	SCREW, BIND B TITE 4X12		
(10)	LG3623001	1	BATTERY, MFC9860/9880		
(11)	LG3624001	1	BATTERY HARNESS, MFC9860/9880		



LIST11(Accessories)

REF No.	CODE	Q'TY	DESCRIPTION	RECOMMEND	REMARK
1	LG2358001	1	AC CORD ASSY, MFC9880 FOR GER/FRA/NOR/BEL/NLD/AUS/SPA/ITA/SWE/GNR (VDE)	1	
1	LG2085001	1	AC CORD ASSY, MFC9860 FOR GER (VDE)	1	
1	LG2359001	1	AC CORD ASSY FOR UK/IRE (BS)	1	
1	LG2360001	1	AC CORD ASSY FOR CHE (SEV)	1	
1	LG2361001	1	AC CORD ASSY FOR DEN (DEMCO)	1	
1	LG2162001	1	AC CORD ASSY FOR ARL/NZ (SAA)	1	
1	LG2085001	1	AC CORD ASSY FOR ASA (VDE)	1	
1	LG2086001	1	AC CORD ASSY FOR ASA (BS)	1	
2	UG4558001	1	I/F CABLE, MFC9880 FOR GER/UK/IRE/AUS/GNR/ ARL/NZ/ASA		
3	LE7428001	1	CD-ROM ASSY, MFC9760 FOR GER/UK/FRA/CHE		
3	LE7963001	4	CD-ROM ASSY, MFC9760 FOR BEL/NLD/GNR		<deleted>
3	LE8017001	1	CD-ROM ASSY, MFC9760 FOR DEN/GNR		
3	LE8023001	1	CD-ROM ASSY, MFC9760 FOR BEL/NLD/ITA		
3	LE7444001	4	CD-ROM ASSY, MFC9860		<deleted>
3	LE7451001	1	CD-ROM ASSY, MFC9880 FOR GER/UK/FRA/CHE/IRE/AUS		
3	LE7975001	1	CD-ROM ASSY, MFC9880 FOR NOR/DEN/SWE		
3	LE7966001	1	CD-ROM ASSY, MFC9880 FOR BEL/NLD/GNR		
3	LE7972001	1	CD-ROM ASSY, MFC9880 FOR SPA/ITA		
3	LE7887001	1	CD-ROM ASSY, MFC9880 FOR ARL/NZ/ASA		
4	UG3625001	1	TELEPHONE LINE CORD, MFC9860/9880 FOR GER		
4	UG3626001	1	TELEPHONE LINE CORD, MFC9880 FOR UK		
4	UG3627001	1	TELEPHONE LINE CORD, MFC9880 FOR FRA		
4	UG3629001	1	TELEPHONE LINE CORD, MFC9880 FOR NOR		
4	UG1575001	1	TELEPHONE LINE CORD, MFC9880 FOR BEL		
4	LG3077001	1	TELEPHONE LINE CORD, MFC9880 FOR NLD/IRE/SPA/GNR		
4	UG3469000	1	TELEPHONE LINE CORD, MFC9880 FOR CHE		
4	UG3633001	1	TELEPHONE LINE CORD, MFC9880 FOR DEN		
4	UG4205001	1	TELEPHONE LINE CORD, MFC9880 FOR AUS		
4	UG3634001	1	TELEPHONE LINE CORD, MFC9880 FOR ITA		
4	UG3635001	1	TELEPHONE LINE CORD, MFC9880 FOR SWE		
4	LG3077001	1	TELEPHONE LINE CORD, MFC9880 FOR ARL/ASA		
4	UG3290001	1	TELEPHONE LINE CORD, MFC9880 FOR NZ		
(5)	LE7699001	1	FERRITE CORE BAG ASSY USB, MFC9880 FOR GER/UK/IRE/AUS/GNR/ ARL/NZ/ASA		
(5)	LE3602001	1	FERRITE CORE BAG ASSY FOR FRA/NOR/BEL/NLD/CHE/DEN/SPA/ITA/SWE		
(6)	LG3622001	1	TELEPHONE PLUG, MFC9880 FOR NLD		
(6)	UG3468000	1	TELEPHONE PLUG(BT-MJ), MFC9880 FOR ASA		
(6)	LG3509001	1	TELEPHONE PLUG, MFC9880 FOR ARL		

LIST12(PRINTED MATERIAL)

REF No.	CODE	Q'TY	DESCRIPTION	RECOMMEND	REMARK
(1)	LE7431001	1	OWNER'S MANUAL ASSY, MFC9760 FOR GER (INCLUDING OWNER'S MANUAL, LICENSE AGREEMENT SHEET, PAN EURO WARRANTY LEAFLET)	1	
(1)	LE8098001	1	OWNER'S MANUAL ASSY, MFC9860 FOR GER (INCLUDING OWNER'S MANUAL, LICENSE AGREEMENT SHEET, PAN EURO WARRANTY LEAFLET)	1	
(1)	LE7455001	1	OWNER'S MANUAL ASSY, MFC9880 FOR GER (INCLUDING OWNER'S MANUAL, LICENSE AGREEMENT SHEET, PAN EURO WARRANTY LEAFLET)	1	
(1)	LE7435001	1	OWNER'S MANUAL ASSY, MFC9760 FOR UK (INCLUDING OWNER'S MANUAL, LICENSE AGREEMENT SHEET, PAN EURO WARRANTY LEAFLET, 2 WARRANTY CARDS)	1	
(1)	LE7459001	1	OWNER'S MANUAL ASSY, MFC9880 FOR UK (INCLUDING OWNER'S MANUAL, LICENSE AGREEMENT SHEET, PAN EURO WARRANTY LEAFLET, 2 WARRANTY CARDS)	1	
(1)	LE7439001	1	OWNER'S MANUAL ASSY, MFC9760 FOR FRA (INCLUDING OWNER'S MANUAL, LICENSE AGREEMENT SHEET, PAN EURO WARRANTY LEAFLET, WARRANTY CARD)	1	
(1)	LE7465001	1	OWNER'S MANUAL ASSY, MFC9880 FOR FRA (INCLUDING OWNER'S MANUAL, LICENSE AGREEMENT SHEET, PAN EURO WARRANTY LEAFLET, WARRANTY CARD)	1	
(1)	LE7978001	1	OWNER'S MANUAL ASSY, MFC9880 FOR NOR (INCLUDING OWNER'S MANUAL, LICENSE AGREEMENT SHEET, PAN EURO WARRANTY LEAFLET)	1	
(1)	LE8009001	1	OWNER'S MANUAL ASSY, MFC9760 FOR BEL (INCLUDING 2 OWNER'S MANUALS, LICENSE AGREEMENT SHEET, PAN EURO WARRANTY LEAFLET)	1	
(1)	LE7980001	1	OWNER'S MANUAL ASSY, MFC9880 FOR BEL (INCLUDING 2 OWNER'S MANUALS, LICENSE AGREEMENT SHEET, PAN EURO WARRANTY LEAFLET)	1	
(1)	LE8013001	1	OWNER'S MANUAL ASSY, MFC9760 FOR NLD (INCLUDING OWNER'S MANUAL, LICENSE AGREEMENT SHEET, PAN EURO WARRANTY LEAFLET)	1	
(1)	LE7984001	1	OWNER'S MANUAL ASSY, MFC9880 FOR NLD (INCLUDING OWNER'S MANUAL, LICENSE AGREEMENT SHEET, PAN EURO WARRANTY LEAFLET)	1	
(1)	LE8014001	1	OWNER'S MANUAL ASSY, MFC9760 FOR CHE (INCLUDING 2 OWNER'S MANUALS, LICENSE AGREEMENT SHEET, PAN EURO WARRANTY LEAFLET)	1	
(1)	LE7985001	1	OWNER'S MANUAL ASSY, MFC9880 FOR CHE (INCLUDING 2 OWNER'S MANUALS, LICENSE AGREEMENT SHEET, PAN EURO WARRANTY LEAFLET)	1	
(1)	LE7986001	1	OWNER'S MANUAL ASSY, MFC9880 FOR IRE (INCLUDING OWNER'S MANUAL, LICENSE AGREEMENT SHEET, PAN EURO WARRANTY LEAFLET)	1	
(1)	LE8020001	1	OWNER'S MANUAL ASSY, MFC9760 FOR DEN (INCLUDING OWNER'S MANUAL, LICENSE AGREEMENT SHEET, PAN EURO WARRANTY LEAFLET)	1	

LIST12(PRINTED MATERIAL)

REF No.	CODE	Q'TY	DESCRIPTION	RECOMMEND	REMARK
(1)	LE7990001	1	OWNER'S MANUAL ASSY, MFC9880 FOR DEN (INCLUDING OWNER'S MANUAL, LICENSE AGREEMENT SHEET, PAN EURO WARRANTY LEAFLET)	1	
(1)	LE7995001	1	OWNER'S MANUAL ASSY, MFC9880 FOR SPA (INCLUDING OWNER'S MANUAL, LICENSE AGREEMENT SHEET, PAN EURO WARRANTY LEAFLET, WARRANTY CARD)	1	
(1)	LE8026001	1	OWNER'S MANUAL ASSY, MFC9760 FOR ITA (INCLUDING OWNER'S MANUAL, LICENSE AGREEMENT SHEET, PAN EURO WARRANTY LEAFLET)	1	
(1)	LE8001001	1	OWNER'S MANUAL ASSY, MFC9880 FOR ITA (INCLUDING OWNER'S MANUAL, LICENSE AGREEMENT SHEET, PAN EURO WARRANTY LEAFLET)	1	
(1)	LE8006001	1	OWNER'S MANUAL ASSY, MFC9880 FOR SWE (INCLUDING OWNER'S MANUAL, LICENSE AGREEMENT SHEET, PAN EURO WARRANTY LEAFLET, WARRANTY CARD)	1	
(1)	LE8028001	1	OWNER'S MANUAL ASSY, MFC9760 FOR GNR (INCLUDING OWNER'S MANUAL, LICENSE AGREEMENT SHEET, PAN EURO WARRANTY LEAFLET)	1	
(1)	LE8008001	1	OWNER'S MANUAL ASSY, MFC9880 FOR GNR (INCLUDING OWNER'S MANUAL, LICENSE AGREEMENT SHEET)	1	
(1)	LE7890001	1	OWNER'S MANUAL ASSY, MFC9880 FOR ARL (INCLUDING OWNER'S MANUAL, LICENSE AGREEMENT SHEET)	1	
(1)	LE7896001	1	OWNER'S MANUAL ASSY, MFC9880 FOR NZ (INCLUDING OWNER'S MANUAL, LICENSE AGREEMENT SHEET, WARRANTY CARD)	1	
(1)	LE7948001	1	OWNER'S MANUAL ASSY, MFC9880 FOR ASA (INCLUDING OWNER'S MANUAL, LICENSE AGREEMENT SHEET, REFERENCE GUIDE)	1	
(1-1)	LE7432003	1	OWNER'S MANUAL, MFC9760 FOR GER		
(1-1)	LE7448003	1	OWNER'S MANUAL, MFC9860 FOR GER		
(1-1)	LE7456003	1	OWNER'S MANUAL, MFC9880 FOR GER		
(1-1)	LE7436004	1	OWNER'S MANUAL, MFC9760 FOR UK/GER		
(1-1)	LE7460004	1	OWNER'S MANUAL, MFC9880 FOR UK/IRE/GNR		
(1-1)	LE7436005	1	OWNER'S MANUAL, MFC9760 FOR FRA		
(1-1)	LE7460005	1	OWNER'S MANUAL, MFC9880 FOR FRA		
(1-1)	LE7460007	1	OWNER'S MANUAL, MFC9880 FOR NOR		
(1-1)	LE7436008	1	OWNER'S MANUAL, MFC9760 FOR BEL/NLD <DUTCH>		
(1-1)	LE8010008	1	OWNER'S MANUAL, MFC9760 FOR BEL/CHE <FRENCH>		
(1-1)	LE7460008	1	OWNER'S MANUAL, MFC9880 FOR BEL/NLD <DUTCH>		
(1-1)	LE7981008	1	OWNER'S MANUAL, MFC9880 FOR BEL/CHE <FRENCH>		
(1-1)	LE7436010	1	OWNER'S MANUAL, MFC9760 FOR CHE		
(1-1)	LE7460010	1	OWNER'S MANUAL, MFC9880 FOR CHE <GERMAN>		
(1-1)	LE7436013	1	OWNER'S MANUAL, MFC9760 FOR DEN		
(1-1)	LE7460013	1	OWNER'S MANUAL, MFC9880 FOR DEN		
(1-1)	LE7460015	1	OWNER'S MANUAL, MFC9880 FOR SPA		
(1-1)	LE7436016	1	OWNER'S MANUAL, MFC9760 FOR ITA		
(1-1)	LE7460016	1	OWNER'S MANUAL, MFC9880 FOR ITA		
(1-1)	LE7460026	1	OWNER'S MANUAL, MFC9880 FOR SWE		
(1-1)	LE7891006	1	OWNER'S MANUAL, MFC9880 FOR ARL/NZ/ASA		

LIST13(CARTON)

REF No.	CODE	Q'TY	DESCRIPTION	RECOMMEND	REMARK
(1)	LE7260001	1	CARTON, BROTHER, MFC9760	1	
(1)	LE7261001	1	CARTON, BROTHER, MFC9860	1	
(1)	LE7262001	1	CARTON, BROTHER, MFC9880	1	
(1)	LE8113001	1	CARTON, BROTHER, MFC9880 FOR ARL/NZ/ASA	1	
(2)	LE1232001	1	STYROFOAM ASSY		
(3)	UE1688001	1	BAG, 1000X1000H		
(4)	UE3122001	1	CARTON FOR MANUAL		
(5)	LE1481001	1	SCANNER LOCK SHEET(PROTECTION FOR ADF)		
(6)	LE7433001	1	START CARD, MFC9760 FOR GER		
(6)	LE7449001	1	START CARD, MFC9860		
(6)	LE7457001	1	START CARD, MFC9880 FOR GER/AUS		
(6)	LE7437001	1	START CARD, MFC9760 FOR UK/IRE		
(6)	LE7461001	1	START CARD, MFC9880 FOR UK		
(6)	LE7440001	1	START CARD, MFC9760 FOR FRA		
(6)	LE7466001	1	START CARD, MFC9880 FOR FRA		
(6)	LE7979001	1	START CARD, MFC9880 FOR NOR		
(6)	LE8012001	1	START CARD, MFC9760 FOR BEL/NLD <DUTCH>		
(6)	LE8011001	1	START CARD, MFC9760 FOR BEL/CHE <FRENCH>		
(6)	LE7982001	1	START CARD, MFC9880 FOR BEL/NLD <DUTCH>		
(6)	LE7983001	1	START CARD, MFC9880 FOR BEL/CHE <FRENCH>		
(6)	LE8015001	1	START CARD, MFC9760 FOR CHE <GERMAN>		
(6)	LE8029001	1	START CARD, MFC9880 FOR CHE <GERMAN>		
(6)	LE8021001	1	START CARD, MFC9760 FOR DEN		
(6)	LE7991001	1	START CARD, MFC9880 FOR DEN		
(6)	LE7996001	1	START CARD, MFC9880 FOR SPA		
(6)	LE8027001	1	START CARD, MFC9760 FOR ITA		
(6)	LE8002001	1	START CARD, MFC9880 FOR ITA		
(6)	LE8007001	1	START CARD, MFC9880 FOR SWE		
(6)	LE7635001	1	START CARD, MFC9760 FOR GNR		
(6)	LE7636001	1	START CARD, MFC9880 FOR GNR		
(6)	LE7893001	1	START CARD, MFC9880 FOR ARL/NZ/ASA		
(7)	LJ5557001	1	BAG 400X480 FOR DRUM/TONER		