

EPSON FX1180

(**BOLD TYPE INDICATES IMNPORTANT ITEMS**)

Page 1

| REF | PART NO. | DESCRIPTION | REMARKS | QTY |
|------------|----------------|--|--------------------|----------|
| 100 | 1038522 | HOUSING ASSY, LOWER | | 1 |
| 101 | 1004605 | FOOT | | 2 |
| 102 | 1038523 | HOUSING ASSY., UPPER | | 1 |
| 104 | 1038533 | COVER ASSY., PRINTER | | 1 |
| 105 | 1038510 | RING | | 1 |
| 106 | 1038525 | SHEET GUIDE ASSY., REAR | | 1 |
| 107 | 1038524 | COVER ASSY., FRONT | | 1 |
| 108 | 1039337 | KNOB | | 1 |
| 109 | 1036515 | SHIELD PLATE, UPPER | | 1 |
| 110 | 1036517 | SHIELD PLATE;B | | 1 |
| 111 | 1036514 | SHIELD PLATE | | 1 |
| 112 | 1005480 | GROUNDING PLATE | | 4 |
| 113 | 1037281 | GROUNDING PLATE, UPPER | | 1 |
| 115 | 1037223 | COVER, CONNECTOR, UPPER | ECW | 1 |
| 116 | 1038511 | MOUNT, HOUSING | | 1 |
| 117 | 1039348 | GUIDE, I/F BOARD;W | | 1 |
| 118 | 1039334 | HOLDER, SHEET GUIDE, LEFT | | 1 |
| 119 | 1039335 | HOLDER, SHEET GUIDE, RIGHT | | 1 |
| 120 | 1039511 | LOGO PLATE | | 1 |
| 122 | B045800115 | C.B.(O) SCREW 4X8 F/ZG | M4X8 F/ZG | 1 |
| 123 | B300204211 | C.B.S. SCREW | M3X6 | 6 |
| 125 | B300200111 | C.B.S. SCREW | M3X4 | 5 |
| 126 | 1024145 | C.B.P.SCREW, 4X12, F/ZN | | 2 |
| 127 | 1003164 | C.B.P-TITE SCREW, 3X12, F/ZN | | 10 |
| 128 | 1002674 | C.B.S-TITE SCREW | M3X12 | 2 |
| 129 | 1009376 | RIVET B-TITE(SCREW TYPE) | 3X12 F/ZN | 1 |
| 132 | 1036516 | GROUNDING PLATE, I/F | | 1 |
| 133 | 1011863 | GROUNDING PLATE, I/F, UPPER | | 1 |
| 135 | 1039332 | SUPPORT, FRAME, SHEET GUIDE, SUB | | 1 |
| 137 | 1037280 | GROUNDING PLATE, BOTTOM | | 1 |
| 138 | 1037719 | LABEL, CAUTION, CR MOTOR | | 1 |
| 140 | 1025409 | PRINTER MECH. MOUNTING SCREW | | 4 |
| 200 | 2025279 | BOARD ASSY., MAIN (WITHOUT IC7) | | 1 |
| IC7 | 2028023 | MASK ROM | 4M BIT | 1 |
| CN1 | 2013284 | CONNECTOR 57RE-40360-830B(D7B) | 36, | 1 |
| CN11 | 2003680 | CONNECTOR | 2, | 1 |
| CN12 | 2023817 | CONNECTOR | 12, | 1 |
| CN2 | 1025510 | GROUNDING PLATE, I/F | | 1 |
| CN2 | 2007160 | CONNECTOR | 36PIN | 1 |
| CN3 | 2019814 | CONNECTOR | 10, | 1 |
| CN4 | X600440120 | CONNECTOR | 2 PIN | 1 |
| CN44 | 2023404 | AL' IUM. EL' LYTIC. CAP. | TP,100UF,50V,+20%, | 1 |
| CN5 | X600440310 | CONNECTOR | 3 PIN | 1 |
| CN6 | 2003678 | CONNECTOR | 2, | 1 |
| CN7 | 2025408 | CONNECTOR | 16, | 1 |
| CN8 | 2017936 | CONNECTOR | 4, | 1 |
| CN9 | 2005108 | CONNECTOR | 5 PIN | 1 |
| C1,C3,C4 | 2017467 | CHIP CAPACITOR | | 3 |
| C15,C17 | 2017467 | CHIP CAPACITOR | | 2 |
| C16 | X285122201 | CERAMIC CAPACITOR | 22PF 50V 5% | 1 |
| C18,C19 | 2018745 | CHIP CAPACITOR | | 2 |
| C2 | X285322221 | CERAMIC CAPACITOR | 2200PF 50V 5% TP | 1 |
| C20,C22 | 2017467 | CHIP CAPACITOR | | 2 |
| C21,C23 | 2018745 | CHIP CAPACITOR | | 2 |
| C24 | 2018745 | CHIP CAPACITOR | | 1 |
| C25-C28 | 2017467 | CHIP CAPACITOR | | 4 |

EPSON FX1180

Page 2

| REF | PART NO. | DESCRIPTION | REMARKS | QTY |
|-----------|------------|---------------------------------|-------------------------|-----|
| C29,C30 | X275124711 | CHIP CAPACITOR | | 2 |
| C31,C35 | X285322221 | CERAMIC CAPACITOR | 2200PF 50V 5% TP | 2 |
| C32,C33 | 2017467 | CHIP CAPACITOR | | 2 |
| C36,C37 | 2017467 | CHIP CAPACITOR | | 2 |
| C38,C42 | 2005424 | CHIP CAPACITOR | 4700 PF 50V 10% TP | 2 |
| C40,C43 | X275124711 | CHIP CAPACITOR | | 2 |
| C41,C45 | 2017467 | CHIP CAPACITOR | | 2 |
| C46,C48 | 2025398 | CHIP CAPACITOR | TP,470PF,200V,+10%, | 2 |
| C47,C54 | 2017467 | CHIP CAPACITOR | | 2 |
| C49,C53 | 2025212 | AL'UUM. EL'LYTIC. CAP. | TP,220UF,50V,+20%, | 2 |
| C50,C52 | 2025398 | CHIP CAPACITOR | TP,470PF,200V,+10%, | 2 |
| C51 | 2023405 | AL'UUM. EL'LYTIC. CAP. | TP,10UF,50V,+20%, | 1 |
| C6-C14 | X285322221 | CERAMIC CAPACITOR | 2200PF 50V 5% TP | 9 |
| DR73,R77 | 2011801 | METAL OXIDE FILM RESISTOR | TP,0.51OHM,2W,+5%, | 5 |
| D11-D15 | 2013883 | DIODE | | 5 |
| D17-D19 | 2017977 | DIODE | | 3 |
| D20-D24 | 2026197 | DIODE | | 5 |
| D25 | 2017977 | DIODE | | 1 |
| D26-D34 | 2025366 | DIODE | | 9 |
| D3 | 2006214 | SWITCHING DIODE | | 1 |
| IC1 | 2024299 | RESET IC | | 1 |
| IC11 | 2025169 | HIC | | 1 |
| IC12 | 2012489 | COMPARATOR | 8 | 1 |
| IC2 | 2025363 | GATE ARRAY | | 1 |
| IC3 | 2013945 | MICROCONTROLLER, TMP96C141AF-20 | 8, | 1 |
| IC4Q | 2014691 | P-ROM TCD09 | 1M BIT | 1 |
| IC5 | 2016149 | PS-RAM, TC518128CFL-80 | 1M BIT,80NS,32, | 1 |
| IC7 | X630113230 | IC SOCKET | 32 PIN | 1 |
| IC8 | 2000592 | HYBRID IC SLA7024M | | 1 |
| IC9 | X422350069 | TTL-IC SN74LS06NS-TPL | | 1 |
| Q11-Q15 | 2009984 | TRANSISTOR | | 5 |
| Q16-Q20 | 2013876 | TRANSISTOR | -50V,-500MA,150MW,70,24 | 5 |
| Q2-Q10 | 2026266 | TRANSISTOR | 50V,5A,0W,3000,0, | 9 |
| RM1, | 2021627 | CHIP RESISTOR ARRAY | TP,3.3KOHM,1/16W,+5%, | 1 |
| RM11-RM17 | 2021621 | CHIP RESISTOR ARRAY | TP,470OHM,1/16W,+5%, | 7 |
| RM18,RM19 | 2025378 | CHIP RESISTOR | TP,3.3KOHM,1/10W,+5%, | 1 |
| RM2 | 2021626 | CHIP RESISTOR ARRAY | TP,1KOHM,1/16W,+5%, | 1 |
| RM20-RM22 | 2021621 | CHIP RESISTOR ARRAY | TP,470OHM,1/16W,+5%, | 3 |
| RM23,RM24 | 2021620 | CHIP RESISTOR ARRAY | TP,330OHM,1/16W,+5%, | 2 |
| RM25,RM26 | 2021622 | CHIP RESISTOR ARRAY | TP,680OHM,1/16W,+5%, | 2 |
| RM28 | 2021622 | CHIP RESISTOR ARRAY | TP,680OHM,1/16W,+5%, | 1 |
| RM3-RM5 | 2021627 | CHIP RESISTOR ARRAY | TP,3.3KOHM,1/16W,+5%, | 3 |
| RM6 | 2021630 | CHIP RESISTOR ARRAY | TP,10KOHM,1/16W,+5%, | 1 |
| RM8-RM10 | 2021627 | CHIP RESISTOR ARRAY | TP,3.3KOHM,1/16W,+5%, | 3 |
| R1 | 2008124 | CHIP RESISTOR | 200 OHM 1/8W 5% | 1 |
| R11-R13 | 2025370 | CHIP RESISTOR | TP,1KOHM,1/10W,+5%, | 3 |
| R14-R18 | 2025371 | CHIP RESISTOR | TP,10KOHM,1/10W,+5%, | 2 |
| R19,R22 | 2025370 | CHIP RESISTOR | TP,1KOHM,1/10W,+5%, | 2 |
| R2-R4 | 2025370 | CHIP RESISTOR | TP,1KOHM,1/10W,+5%, | 3 |
| R23 | 2025378 | CHIP RESISTOR | TP,3.3KOHM,1/10W,+5%, | 1 |
| R24,R27 | 2025831 | MASK ROM, M80B86CA | 8M BIT | 2 |
| R25,R94 | 2025369 | CHIP RESISTOR | TP,100OHM,1/10W,+5%, | 2 |
| R28 | 2025831 | MASK ROM, M80B86CA | 8M BIT | 1 |
| R32 | 2007180 | CHIP RESISTOR | 5.1K OHM 1/2W 5% | 1 |
| R33,R34 | X120220686 | METAL OXIDE FILM RESISTOR | 0.68 OHM 2W 5% | 2 |
| R52,R57 | 2025370 | CHIP RESISTOR | TP,1KOHM,1/10W,+5%, | 2 |

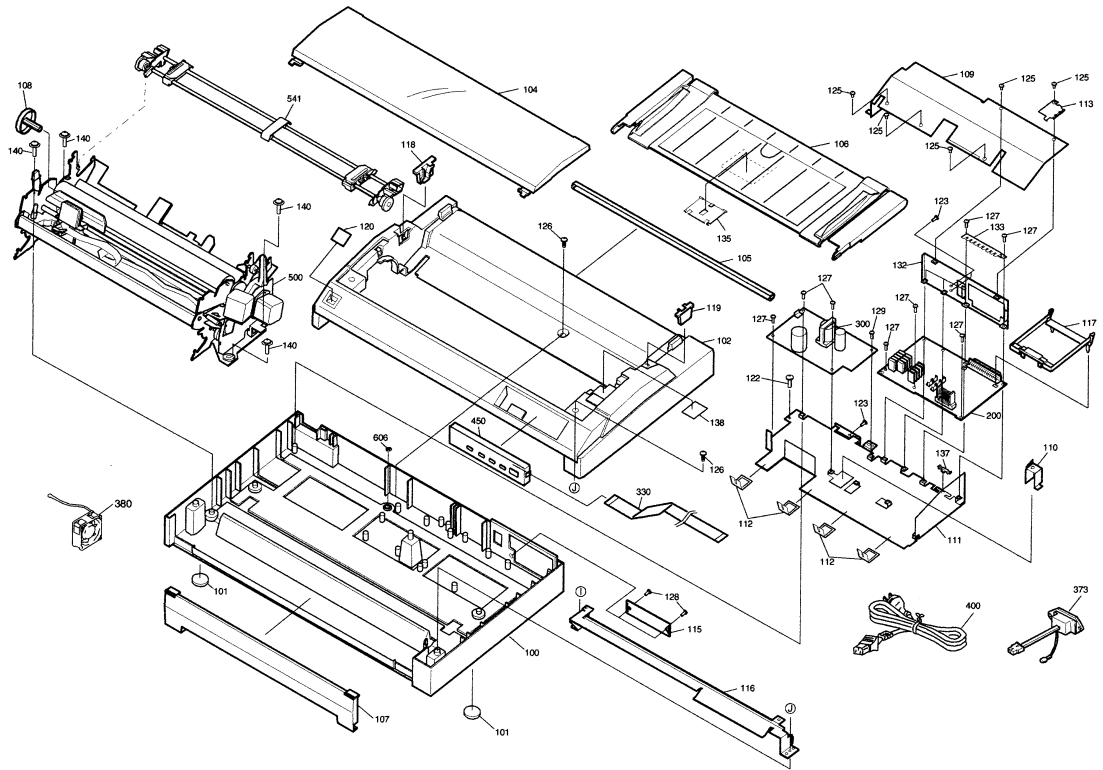
| REF | PART NO. | DESCRIPTION | REMARKS | QTY |
|------------|----------------|---------------------------------------|----------------------|----------|
| R55 | 2011800 | CHIP RESISTOR | TP,16KOHM,1/4W,+5%, | 1 |
| R80 | X193211012 | CHIP RESISTOR | 100 OHM 1/2W 5% | 1 |
| ZD1 | 2026808 | ZENER DIODE | | 1 |
| 300 | 2025283 | BOARD ASSY., POWER SUPPLY 240V | | 1 |
| CN1 | 2000295 | CONNECTOR | 2 PIN | 1 |
| CN2 | 2025337 | HARNESS | | 1 |
| C1 | 2024258 | EILM CAPACITOR 240V | BL,0.47UF,250V,+20%, | 1 |
| C11 | 2025420 | AL' IUM. EL' LYTIC. CAP. FOR 240V | BL,150UF,400V,+20%, | 1 |
| C12 | 2018996 | AL' IUM. EL' LYTIC. CAP. | TP,220UF,35V,+20%, | 1 |
| C13 | 2025415 | FILM CAPACITOR | TP,4700PF,50V,+5%, | 1 |
| C14 | 2025414 | FILM CAPACITOR | TP,2200PF,50V,+5%, | 1 |
| C15 | 2019005 | FILM CAPACITOR FOR 240V | BL,750PF,1.5KV,+5%, | 1 |
| C2 | X234511044 | CERAMIC CAPACITOR | 0.1UF 250V 20% | 1 |
| C3,C4 | 2022167 | CERAMIC CAPACITOR FOR 240V | BL,2200PF,250V,+20%, | 2 |
| C31,C81 | 2025412 | CERAMIC CAPACITOR | TP,2200PF,50V,+10%, | 2 |
| C51,C52 | 2023812 | AL' IUM. EL' LYTIC. CAP. | BL,2200UF,50V,+20%, | 2 |
| C54 | 2023653 | ELECTROLYTIC CAPACITOR | TP,1000UF,6.3V,+20%, | 1 |
| C55 | 2025417 | FILM CAPACITOR | TP,0.47UF,50V,+5%, | 1 |
| C57 | 2020047 | AL' IUM. EL' LYTIC. CAP. | TP,470UF,6.3V,+20%, | 1 |
| C58 | 2025413 | FILM CAPACITOR | TP,0.01UF,50V,+5%, | 1 |
| C59 | 2025416 | CERAMIC CAPACITOR | TP,330PF,50V,+10%, | 1 |
| C8 | 2022167 | CERAMIC CAPACITOR | BL,2200PF,250V,+20%, | 1 |
| DB1 | 2018998 | DIODE BRIDGE | 600V,4A,0W, | 1 |
| D1 | 2013050 | DIODE | | 1 |
| D2 | X320011449 | DIODE | 40V 0.6A 0.2W | 1 |
| D51 | 1019237 | HEAT SINK | | 1 |
| D51 | 2025137 | DIODE | | 1 |
| D52 | 2020006 | DIODE | | 1 |
| D55 | X320010390 | DIODE | | 1 |
| D81-D83 | X320011201 | DIODE | SI 60V 150MA | 3 |
| F1 | 2019130 | FUSE FOR 240V | 250V,2A, | 1 |
| F1 | 2025244 | FUSE HOLDER | 0A, | 1 |
| IC1 | 2001638 | VOLTAGE REGULATOR | | 1 |
| IC51 | X440064940 | LINEAR IC | BIPOLAR MODURATION | 1 |
| J1-J3 | 1001292 | JUMPER WIRE | | 3 |
| J51-J60 | 1001292 | JUMPER WIRE | | 10 |
| L1 | 2023654 | LINE FILTER | 14MH,1.5A, | 1 |
| L51 | 2023139 | INDUCTOR | 470UH,1A, | 1 |
| PC1,PC2 | 2017249 | PHOTO COUPLER 240V | 0V,0MA,0W, | 2 |
| Q1 | 1019118 | HEAT SINK | | 1 |
| Q1 | 2023651 | FET FOR 240V | 900V,3A,40W, | 1 |
| Q1,Q51 | B300204311 | C.B.S. SCREW | M3X8 | 2 |
| Q2 | 2000623 | TRANSISTOR | 50V 2A 900MW | 1 |
| Q3,Q53 | X300101589 | TRANSISTOR | PNP 50V 150MA 400MW | 2 |
| Q31 | 2022418 | FET | 30V,1.5A,0W, | 1 |
| Q32 | 2018986 | TRANSISTOR | 50V,100MA,0W,56,0, | 1 |
| Q51 | X300168009 | TRANSISTOR, 2SA1680-TPE6 | PNP 50V 2A 900MW | 1 |
| Q54 | X302181589 | TRANSISTOR | NPN 50V 150MA 400MW | 1 |
| Q55,Q81 | 2018985 | TRANSISTOR | 50V,100MA,0W,0,0, | 2 |
| Q87 | 2018984 | TRANSISTOR | 50V,100MA,0W,0,0, | 1 |
| R1,R31 | 2020020 | CARBON FILM RESISTOR FOR 240V | TP,910KOHM,1/2W,+5%, | 2 |
| R11 | X155418212 | CARBON FILM RESISTOR | 820 OHM 1/4W 5% | 1 |
| R12 | X120220626 | METAL OXIDE FILM RESISTOR FOR 240V | 0.62 OHM 2W 5% | 1 |
| R13,R21 | X155414722 | CARBON FILM RESISTOR | 4.7K OHM | 2 |
| R14 | X155415112 | CARBON FILM RESISTOR | 510 OHM 1/4W 5% | 1 |
| R15 | X155411212 | CARBON FILM RESISTOR | 120 OHM 1/4W 5% | 1 |

EPSON FX1180

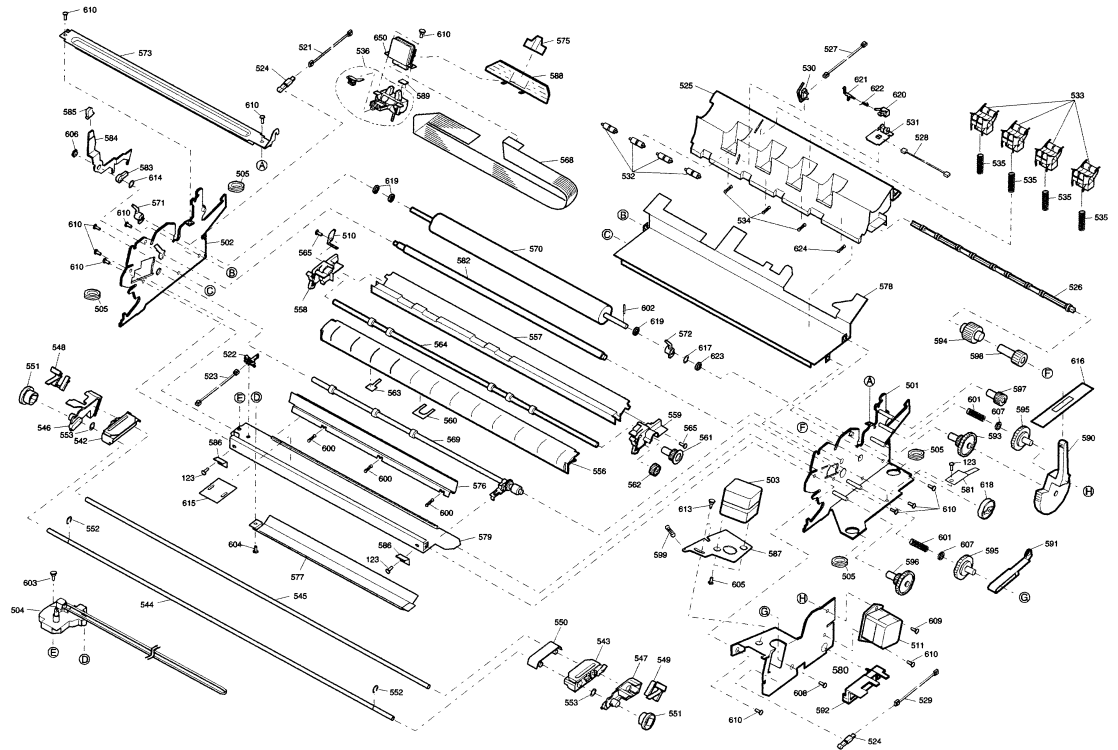
Page 4

| REF | PART NO. | DESCRIPTION | REMARKS | QTY |
|------------|----------------|--------------------------------------|------------------------------|----------|
| R16,R57 | X155412712 | CARBON FILM RESISTOR | 270 OHM 1/4W 5% | 2 |
| R18 | 2010323 | CARBON FILM RESISTOR | 300K OHM 1/2W 5% | 1 |
| R18 | 2020620 | CARBON FILM RESISTOR FOR 240V | TP,220KOHM,1/2W,+5%, | 1 |
| R19,R60 | X155412032 | CARBON FILM RESISTOR | 20K OHM 1/4W 5% | 2 |
| R20,R64 | X155412422 | CARBON FILM RESISTOR | 2.4K OHM 1/4W 5% | 2 |
| R22,R29 | 2025419 | CARBON FILM RESISTOR FOR 240V | TP,1.3MOHM,1/2W,+5%, | 2 |
| R32 | X155413932 | CARBON FILM RESISTOR | 39K OHM 1/4W 5% | 1 |
| R33 | X155411042 | CARBON FILM RESISTOR | 100K OHM 1/4W 5% | 1 |
| R51 | 2003105 | METAL OXIDE FILM RESISTOR | 470 OHM 2W 5% | 1 |
| R53,R83 | X155410102 | CARBON FILM RESISTOR | 1 OHM 1/4W 5% | 2 |
| R56 | X155411512 | CARBON FILM RESISTOR | 150 OHM 1/4W 5% | 1 |
| R566 | X155410102 | CARBON FILM RESISTOR | 1 OHM 1/4W 5% | 1 |
| R58,R66 | X155412042 | CARBON FILM RESISTOR | 200K OHM 1/4W 5% | 2 |
| R59 | X143194751 | HIGH STAB. M/F RES. | 4.75K OHM 1/4W 1% | 1 |
| R61 | X155413012 | CARBON FILM RESISTOR | 300 OHM 1/4W 5% | 1 |
| R63 | X155413622 | CARBON FILM RESISTOR | 3.6K OHM 1/4W 5% | 1 |
| R65,R87 | X155412032 | CARBON FILM RESISTOR | 20K OHM 1/4W 5% | 2 |
| R67 | X155413022 | CARBON FILM RESISTOR | 3K OHM 1/4W 5% | 1 |
| R68-R70 | X155411032 | CARBON FILM RESISTOR | 10K OHM 1/4W 5% | 3 |
| R71,R84 | X155411522 | CARBON FILM RESISTOR | 1.5K OHM 1/4W 5% | 2 |
| R72 | X155416222 | CARBON FILM RESISTOR | 6.2K OHM 1/4W 5% | 1 |
| R73 | X155411222 | CARBON FILM RESISTOR | 1.2K OHM 1/4W 5% | 1 |
| R74,R82 | X155411032 | CARBON FILM RESISTOR | 10K OHM 1/4W 5% | 2 |
| R75 | X155412722 | CARBON FILM RESISTOR | 2.7K OHM 1/4W 5% | 1 |
| R81 | X143198452 | HIGH STAB. M/F RES. | 84.5K OHM 1/4W 1% | 1 |
| R85 | X155411522 | CARBON FILM RESISTOR | 1.5K OHM 1/4W 5% | 1 |
| TH1 | 2023657 | THERMISTOR | | 1 |
| T1 | 2020076 | TRANSFORMER 240V | | 1 |
| ZD31 | 2020012 | ZENER DIODE | | 1 |
| ZD51,ZD54 | 2011463 | ZENER DIODE | 150MA 400MW 6.9V 7.2V | 2 |
| ZD51,ZD86 | 2025411 | ZENER DIODE | | 2 |
| ZD53 | 2023648 | ZENER DIODE | | 1 |
| ZD55 | 2004320 | ZENER DIODE | 150MA 400MW 5.2W 5.5V | 1 |
| ZD81-ZD85 | 2011463 | ZENER DIODE | 150MA 400MW 6.9V 7.2V | 5 |
| 330 | 2018862 | HARNESS | | 1 |
| 373 | 2018028 | HARNESS FOR 240V | | 1 |
| 380 | 2021422 | FAN | | 1 |
| 400 | 2006175 | POWER CABLE ASSY. | | 1 |
| 400 | 2018866 | POWER CABLE ASSY | | 1 |
| 450 | 1039364 | HOUSING ASSY., PANEL | | 1 |
| 500 | 2027947 | PRINTER MECHANISM, M-3J60-100 | | 1 |
| 501 | 1038771 | FRAME ASSY., RIGHT | | 1 |
| 502 | 1036532 | FRAME ASSY., LEFT | | 1 |
| 503 | 2025265 | MOTOR, CR | DC3.24V/1.2A/3.88W ST | 1 |
| 504 | 1038571 | RD ASSY. | | 1 |
| 505 | 1025335 | BASE RUBBER | | 4 |
| 510 | 1006827 | GROUNDING PLATE, PAPER EJECT | | 1 |
| 511 | 2026522 | MOTOR, PF | DC6.4V/0.4A/2.56W ST | 1 |
| 521 | 2026508 | HARNESS, PG | | 1 |
| 522 | 2004004 | DETECTOR, HP | | 1 |
| 523 | 2026507 | HARNESS, HP | | 1 |
| 524 | 2014328 | CONNECTOR SWITCH;B | | 2 |
| 525 | 1038498 | PAPER GUIDE | | 1 |
| 526 | 1005217 | SHAFT, RELEASE | | 1 |
| 527 | 2026505 | HARNESS, PE, FRONT | | 1 |
| 528 | 2026506 | HARNESS, PE, REAR | | 1 |

| REF | PART NO. | DESCRIPTION | REMARKS | QTY |
|-----|------------|-----------------------------------|-----------|-----|
| 529 | 2025897 | HARNES, RE | | 1 |
| 530 | 2019011 | DETECTOR, PE, FRONT | 0V,0A,0W, | 1 |
| 531 | 1005727 | DETECTOR ASSY., REAR | | 1 |
| 532 | 1005213 | ROLLER, PF, DRIVEN, LOWER | | 4 |
| 533 | 1005282 | ROLLER ASSY., PF | | 4 |
| 534 | 1005215 | EXTENSION SPRING, 70 | | 3 |
| 535 | 1005214 | COMPRESSION SPRING, 1000 | | 4 |
| 536 | 1038770 | CARRIAGE ASSY. | | 1 |
| 541 | 1038519 | TRACTOR ASSY. | | 1 |
| 542 | 1039341 | TRACTOR, LEFT;W | | 1 |
| 543 | 1039342 | TRACTOR, RIGHT;W | | 1 |
| 544 | 1038503 | SHAFT, TR, DRIVE | | 1 |
| 545 | 1005251 | SHAFT, TR, GUIDE | | 1 |
| 546 | 1039351 | FRAME, TR, LEFT;W | | 1 |
| 547 | 1039352 | FRAME, TR, RIGHT;W | | 1 |
| 548 | 1039353 | LEVER, TR, LEFT;W | | 1 |
| 549 | 1039354 | LEVER, TR, RIGHT;W | | 1 |
| 550 | 1025296 | PAPER SUPPORT | | 1 |
| 551 | 1039507 | SPUR GEAR, 20 | | 2 |
| 552 | B150300911 | RETAINING RING | TYPE-E(6) | 2 |
| 553 | 1038560 | PLAIN WASHER, 8.2X0.5X12, L/NA | | 2 |
| 556 | 1005235 | COVER, PAPER EJECT | | 1 |
| 557 | 1008701 | FRAME, PAPER EJECT, BASE | | 1 |
| 558 | 1039349 | FRAME, PAPER EJECT, LEFT;W | | 1 |
| 559 | 1039350 | FRAME, PAPER EJECT, RIGHT;W | | 1 |
| 560 | 1005243 | LEAF SPRING, PAPER EJECT, DOUBLE | | 1 |
| 561 | 1005244 | SPUR GEAR, 15 | | 1 |
| 562 | 1005245 | SPUR GEAR, 18 | | 1 |
| 563 | 1005514 | LEAF SPRING, PAPER EJECT, SINGLE | | 1 |
| 564 | 1038502 | ROLLER, EJ, DRIVE | | 1 |
| 565 | 1006901 | C.B.C-LAMITITE | M3X8 | 2 |
| 568 | 2026504 | CABLE, HEAD | | 1 |
| 569 | 1038516 | ROLLER ASSY., DRIVE | | 1 |
| 570 | 1038499 | PLATEN | | 1 |
| 571 | 1025355 | BUSHING, 8, LEFT | | 1 |
| 572 | 1025285 | BUSHING, 8, RIGHT | | 1 |
| 573 | 1038500 | COVER, PLATEN | | 1 |
| 575 | 1036497 | RIBBON, MASK | | 1 |
| 576 | 1014603 | PAPER GUIDE ASSY., SUPPORT | | 1 |
| 577 | 1038558 | GUIDE, PAPER LOAD | | 1 |
| 578 | 1038494 | FRAME, REAR | | 1 |
| 579 | 1038493 | FRAME, FRONT | | 1 |
| 580 | 1036486 | FRAME, SUB, RIGHT | | 1 |
| 581 | 1037282 | GROUNDING PLATE MECHANISM, BOTTOM | | 1 |
| 582 | 1038497 | SHAFT, CR, GUIDE | | 1 |
| 583 | 1005172 | BUSHING, PARALLEL, ADJUST | | 1 |
| 584 | 1036494 | LEVER, GAP, ADJUST | | 1 |
| 585 | 1039356 | CAP, LEVER;W | | 1 |
| 586 | 1036501 | GROUNDING PLATE, MECHA | | 2 |
| 587 | 1005185 | MOUNTING PLATE, MOTOR, CR | | 1 |
| 588 | 1010896 | HOLDER, RIBBON MASK | | 1 |
| 589 | 1038496 | OIL PAD | | 1 |
| 590 | 1039355 | LEVER, RELEASE;W | | 1 |
| 591 | 1005220 | CAM, CLUTCH, TRACTOR | | 1 |
| 592 | 1036498 | HOLDER, CABLE | | 1 |
| 593 | 1008716 | COMBINATION GEAR, 31, 5, 8 | | 1 |



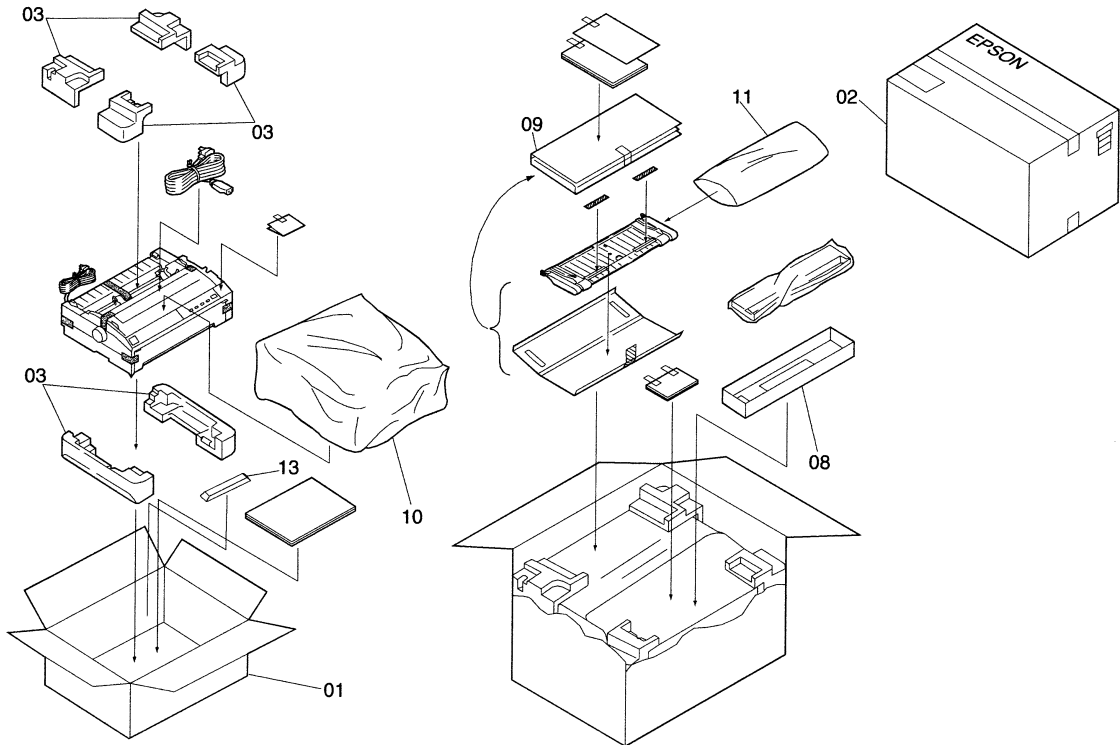
EXPLODED DIAGRAM FOR FX-1180(1)



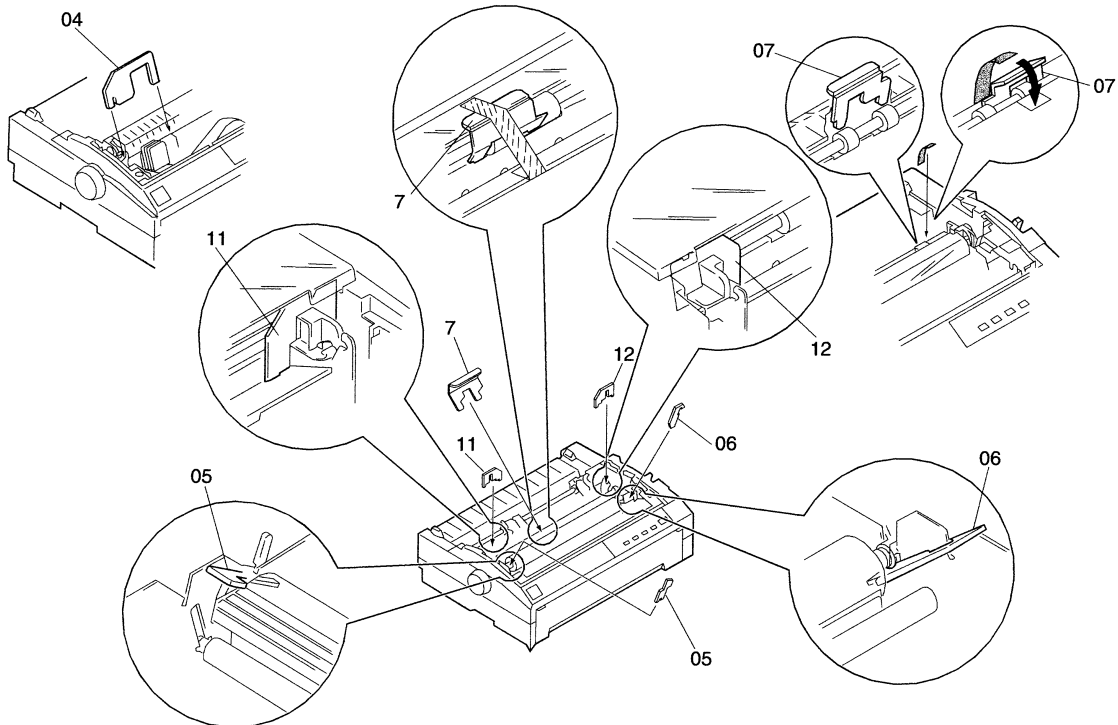
EXPLODED DIAGRAM FOR FX-1180(2)

EPSON FX1180

Page 8



PACKING MATERIALS FOR FX-1180(1)



PACKING MATERIALS FOR FX-1180(2)