

NB: Part Number rationalisation – 10 digit part numbers in brackets are the old numbers for otherwise identical items

FX-2190

Page No.:1

| REF. | PART NO | DESCRIPTION | SPEC | QTY |
|-------|---------|----------------------------------|-----------------------|-----|
| 100 | 1266427 | HOUSING ASSY.,LOWER | | 1 |
| 101 | 1004605 | FOOT | | 1 |
| 102 | 1266428 | HOUSING ASSY.,UPPER | | 1 |
| 103 | 1266431 | COVER ASSY.,PRINTER,REAR | | 1 |
| 104 | 1266430 | COVER ASSY.,PRINTER | | 1 |
| 105 | 1242626 | GUIDE;EPAG | | 1 |
| 106 | 1266433 | SHEET GUIDE ASSY | | 1 |
| 107 | 1266429 | COVER ASSY.,FRONT | | 1 |
| 108 | 1234171 | KNOB | | 1 |
| 109 | 1233915 | SHIELD,PLATE,UPPER | | 1 |
| 110 | 1233914 | SHIELD PLATE;B | | 1 |
| 111 | 1233912 | SHIELD PLATE | | 1 |
| 112 | 1233916 | GROUNDING PLATE | | 3 |
| 113 | 1236544 | SHEET,PANEL | | 1 |
| 115 | 1236524 | COVER,CONNECTOR,UPPER;EPAG | | 1 |
| 116 | 1242291 | MOUNT,HOUSING | | 1 |
| 117 | 1064686 | GUIDE,I/F BOARD | | 1 |
| 118 | 1234159 | HOLDER,SHEET GUIDE,LEFT | | 1 |
| 119 | 1234160 | HOLDER,SHEET GUIDE,RIGHT | | 1 |
| 120 | 1242638 | LOGO PLATE,12X48;C | | 1 |
| 121 | 1236041 | STOPPER,COVER,FRONT | | 1 |
| 122 | 1036498 | HOLDER,CABLE | | 1 |
| 123 | 2081380 | FAN ASSY. | | 1 |
| 125 | 1073165 | C.B.S. SCREW(B300204211) | M3X6 | 1 |
| 126 | 1003164 | C.B.P-TITE SCREW,3X12,F/ZN | | 1 |
| 127 | 1073165 | C.B.S. SCREW(B300204211) | M3X6 | 1 |
| 132 | 1233911 | GROUNDING PLATE,I/F | | 1 |
| 133 | 1064693 | GROUNDING PLATE,I/F,UPPER | | 1 |
| 135 | 1048331 | C.B.S-TITE,3X20,F/ZN | | 1 |
| 150 | 2018967 | DETECTOR ASSY.,CASE OPEN | | 1 |
| 151 | 1026338 | HOLDER,DETECTOR | | 1 |
| (CN2) | 1025510 | GROUNDING PLATE,I/F | | 1 |
| 200 | 2082229 | BOARD ASSY., MAIN | 5926B,STANDARD (C526) | 1 |
| 330 | 2080699 | BOARD ASSY., POWER SUPPLY | 5928A,C524 STANDARD | 1 |
| 372 | 2081151 | HARNESS | FFC HARNESS | 1 |
| 373 | 2082139 | HARNESS | | 1 |
| 450 | 1262597 | HOUSING ASSY.,PANEL | | 1 |
| 500 | 2085541 | PRINTER MECHANISM(ASP)M-3R60-100 | | 1 |
| 501 | 1232303 | FRAME ASSY.,RIGHT | | 1 |
| 502 | 1232302 | FRAME ASSY.,LEFT | | 1 |
| 503 | 2035035 | MOTOR ASSY.,CARRIAGE | , | 1 |
| 504 | 1242126 | RIBBON DRIVE ASSY. | | 1 |
| 505 | 1250538 | BASE RUBBER | | 4 |
| 511 | 2056298 | MOTOR,PAPER FEED | , | 1 |
| 521 | 2026508 | HARNESS,PAPER GUIDE | | 1 |
| 522 | 2004004 | DETECTOR,HOME POSITION | | 1 |
| 523 | 2026507 | HARNESS,HOME POSITION | | 1 |
| 524 | 2014328 | CONNECTOR SWITCH;B | | 2 |
| 525 | 1265824 | PAPER GUIDE ASSY.,REAR | | 1 |
| 526 | 1005217 | SHAFT,RELEASE | | 1 |
| 527 | 2026505 | HARNESS,PE,FRONT | | 1 |

NB: Part Number rationalisation – 10 digit part numbers in brackets are the old numbers for otherwise identical items

FX-2190

Page No.:2

| REF. | PART NO | DESCRIPTION | SPEC | QTY |
|------|---------|--------------------------------|-----------|-----|
| 528 | 2026506 | HARNESS,PE,REAR | | 1 |
| 529 | 2025897 | HARNESS,RE | | 1 |
| 530 | 2071496 | DETECTOR,PE,FRONT,S | .. | 1 |
| 531 | 1005727 | DETECTOR ASSY., REAR | | 1 |
| 532 | 1005213 | ROLLER,PF,DRIVEN,LOWER | | 4 |
| 533 | 1005282 | ROLLER ASSY.,PF | | 4 |
| 534 | 1005216 | EXTENSION SPRING,46 | | 1 |
| 535 | 1005214 | COMPRESSION SPRING,1000 | | 4 |
| 536 | 1237005 | CARRIAGE SUB ASSY. | | 1 |
| 540 | 1013733 | C.B.B-TITE(P(13)),3X14,F/ZN | | 4 |
| 541 | 1261641 | TRACTOR ASSY. | | 1 |
| 542 | 1251317 | TRACTOR,LEFT; GREY | | 1 |
| 543 | 1251318 | TRACTOR,RIGHT;GREY | | 1 |
| 544 | 1038503 | SHAFT,TRACTOR DRIVE | | 1 |
| 545 | 1005251 | SHAFT,TRACTOR GUIDE | | 1 |
| 546 | 1251312 | FRAME,TRACTOR LEFT;EPAG | | 1 |
| 547 | 1251313 | FRAME,TRACTOR RIGHT;EPAG | | 1 |
| 548 | 1251314 | LEVER,TRACTOR LEFT;GREY | | 1 |
| 549 | 1251315 | LEVER,TRACTOR RIGHT;GREY | | 1 |
| 550 | 1025296 | PAPER SUPPORT | | 1 |
| 551 | 1039507 | SPUR GEAR,20 | | 2 |
| 552 | 1074768 | RETAINING RING(B150300911) | TYPE-E(6) | 2 |
| 556 | 1237003 | COVER,PAPER EJECT | | 1 |
| 557 | 1242128 | PAPER EJECT ASSY. | | 1 |
| 560 | 1005243 | LEAF SPRING,PAPER EJECT,DOUBLE | | 1 |
| 561 | 1235581 | SPUR GEAR,15 | | 1 |
| 562 | 1004929 | SPUR GEAR,11.5 | | 1 |
| 563 | 1005514 | LEAF SPRING,PAPER EJECT,SINGLE | | 1 |
| 564 | 1038502 | ROLLER,EJ,DRIVE | | 1 |
| 565 | 1008704 | SLIDER,CR | | 1 |
| 568 | 2081873 | CABLE,HEAD | | 1 |
| 569 | 1090459 | ROLLER ASSY.,DRIVE | | 1 |
| 570 | 1242127 | PLATEN ASSY. | | 1 |
| 571 | 1236997 | FRAME,REAR | | 1 |
| 572 | 1236999 | FRAME,BASE | | 1 |
| 573 | 1243506 | COVER,PLATEN | | 1 |
| 575 | 1232295 | RIBBON MASK | | 1 |
| 576 | 1043222 | PAPER GUIDE ASSY.,SUPPORT | | 1 |
| 577 | 1237002 | GUIDE,PAPER LOAD | | 1 |
| 578 | 1235585 | LEVER,RELEASE,TRANSMISSION;W | | 1 |
| 579 | 1236998 | FRAME,FRONT | | 1 |
| 580 | 1235586 | FRAME,SUB,RIGHT | | 1 |
| 582 | 1265406 | SHAFT,CR,GUIDE | | 1 |
| 583 | 1232294 | BUSHING,PARALLEL,ADJUST | | 1 |
| 584 | 1232267 | LEVER,GAP,ADJUST | | 1 |
| 585 | 1251316 | CAP,LEVER; GREY | | 1 |
| 586 | 1036501 | GROUNDING PLATE,MECH. | | 1 |
| 587 | 1005185 | MOUNTING PLATE,MOTOR,CR | | 1 |
| 588 | 1259448 | HOLDER,RIBBON MASK | | 1 |
| 589 | 1038496 | OIL PAD | | 1 |
| 590 | 1251311 | LEVER,RELEASE; GREY | | 1 |

NB: Part Number rationalisation – 10 digit part numbers in brackets are the old numbers for otherwise identical items

FX-2190

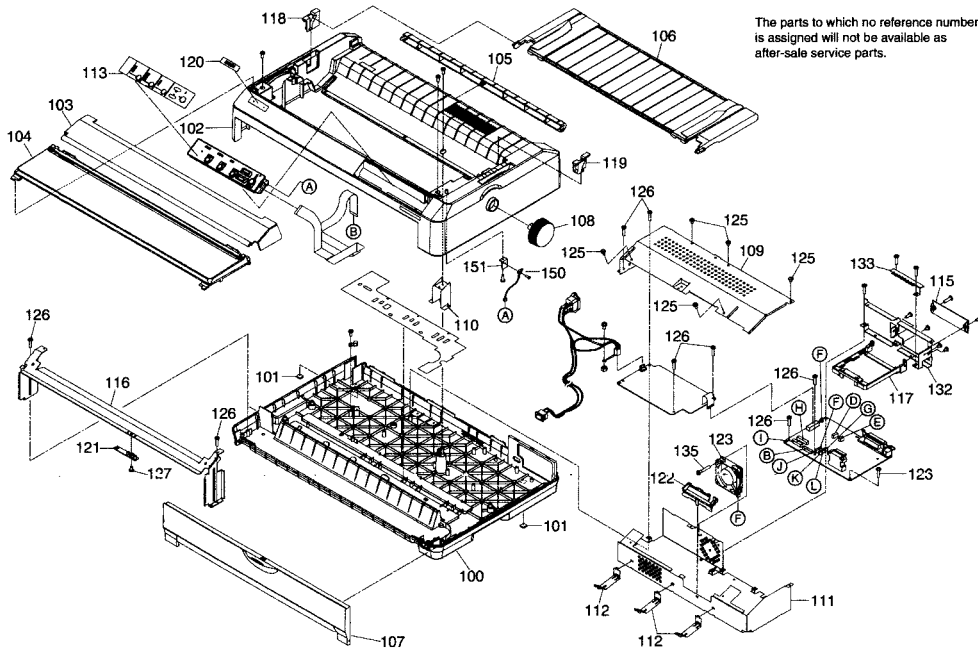
Page No.:3

| REF. | PART NO | DESCRIPTION | SPEC | QTY |
|---------|---------|--------------------------------|-----------------------|-----|
| 591 | 1028357 | CAM,CLUTCH,TRACTOR | | 1 |
| 592 | 1234169 | HOLDER,CABLE | | 1 |
| 593 | 1008716 | COMBINATION GEAR,31,5,8 | | 1 |
| 594 | 1005224 | SPUR GEAR,27 | | 1 |
| 595 | 1013093 | SPUR GEAR,34.5 | | 2 |
| 596 | 1005226 | SPUR GEAR,34 | | 1 |
| 597 | 1005227 | SPUR GEAR,15 | | 1 |
| 598 | 1028359 | INTERMITTENT GEAR | | 1 |
| 600 | 1005201 | EXTENSION SPRING,71 | | 3 |
| 601 | 1005232 | COMPRESSION SPRING,200 | | 1 |
| 603 | 1000972 | C.B.S(P).(0) SCREW | M3X8 | 3 |
| 605 | 1004635 | C.B.SCREW(B010303311) | M3X6 | 1 |
| 607 | 1038560 | PLAIN WASHER,8.2X0.5X12,L/NA | | 2 |
| 609 | 1001275 | C.B.SCREW(B010303511) | M3X10 | 1 |
| 610 | 1006653 | C.B.SCREW(B010303411) | M3X8 | 1 |
| 613 | 1005416 | SHAFT,MOUNT,CARRIAGE | | 1 |
| 615 | 1005176 | HOLDER,CABLE,HEAD | | 1 |
| 616 | 1242257 | SHEET,RELEASE,CAP | | 1 |
| 618 | 1031612 | SPUR GEAR,36 | | 1 |
| 620 | 1025323 | LEVER,DETECTOR,PE,REAR | | 1 |
| 621 | 1025324 | LEVER,PE,SUPPORT | | 1 |
| 622 | 1025325 | TORSION SPRING,0.26 | | 1 |
| 650 | 1267348 | HEAD KIT ASP | | 1 |
| 651 | 1080933 | EXTENSION SPRING,16.45 | | 1 |
| 652 | 1080935 | HOLDER,PULLEY DRIVEN | | 1 |
| NON FIG | 1049820 | OIL O-14 | VP-2300/LQ-680/680PRO | 1 |
| NON FIG | 1080614 | GREASE G-26 (40GR)(B702600001) | M-2728 | 1 |
| END | | | | |
| | | | | |
| | | | | |

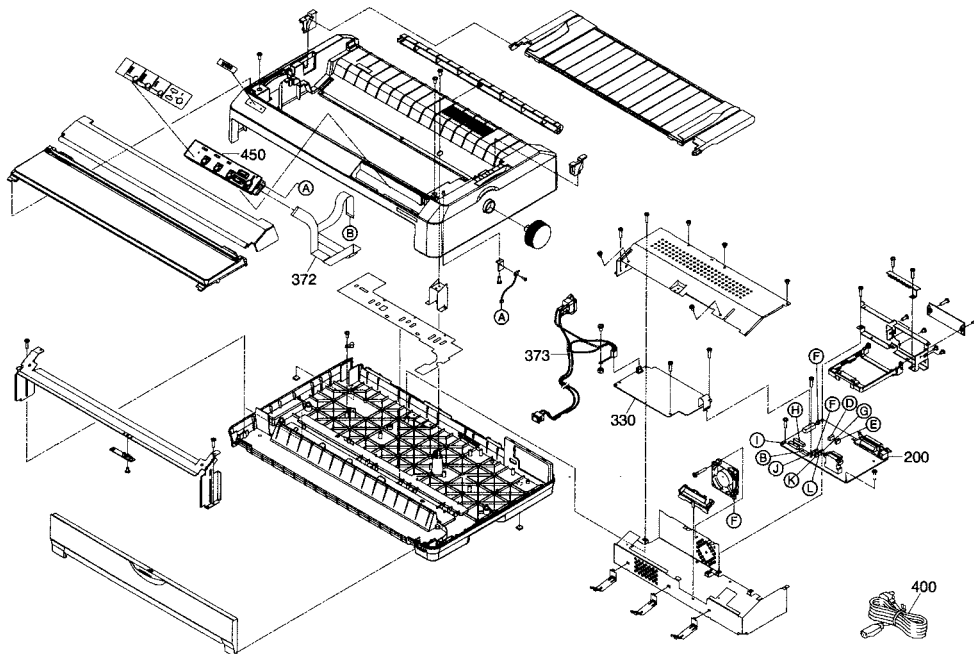
NB: Part Number rationalisation – 10 digit part numbers in brackets are the old numbers for otherwise identical items

FX-2190

Page No.:4



FX-2190 NO.1 Rev.01 C526_CASE_01

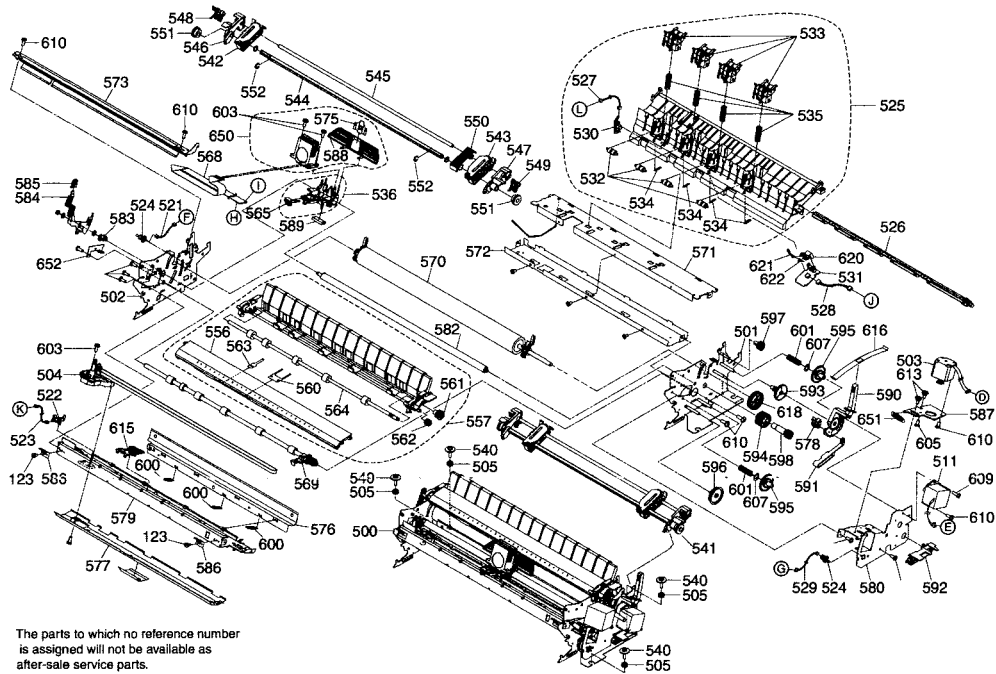


FX-2190 NO.2 Rev.01

NB: Part Number rationalisation – 10 digit part numbers in brackets are the old numbers for otherwise identical items

FX-2190

Page No.:5



The parts to which no reference number is assigned will not be available as after-sale service parts.

FX-2190 NO.3 Rev.01