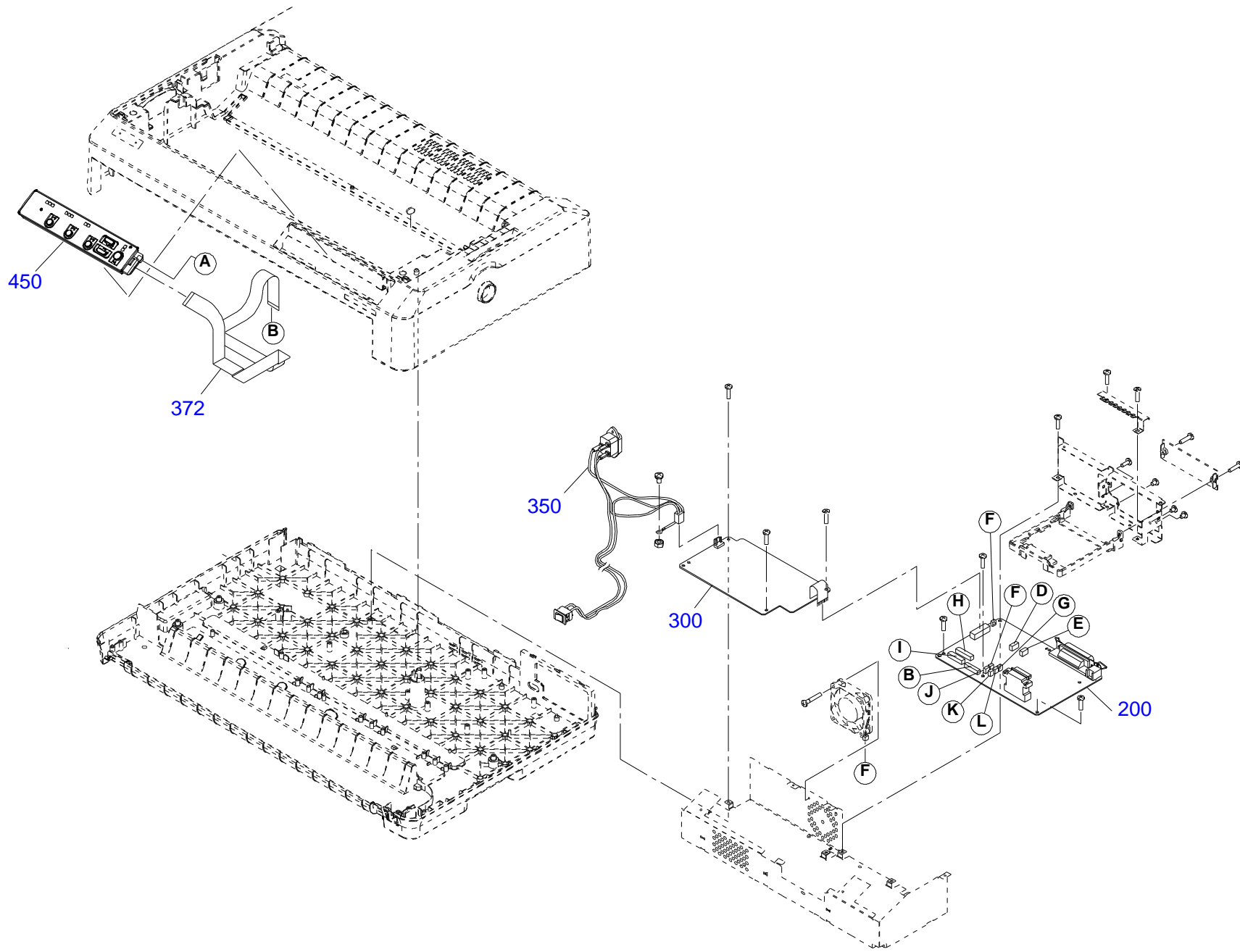
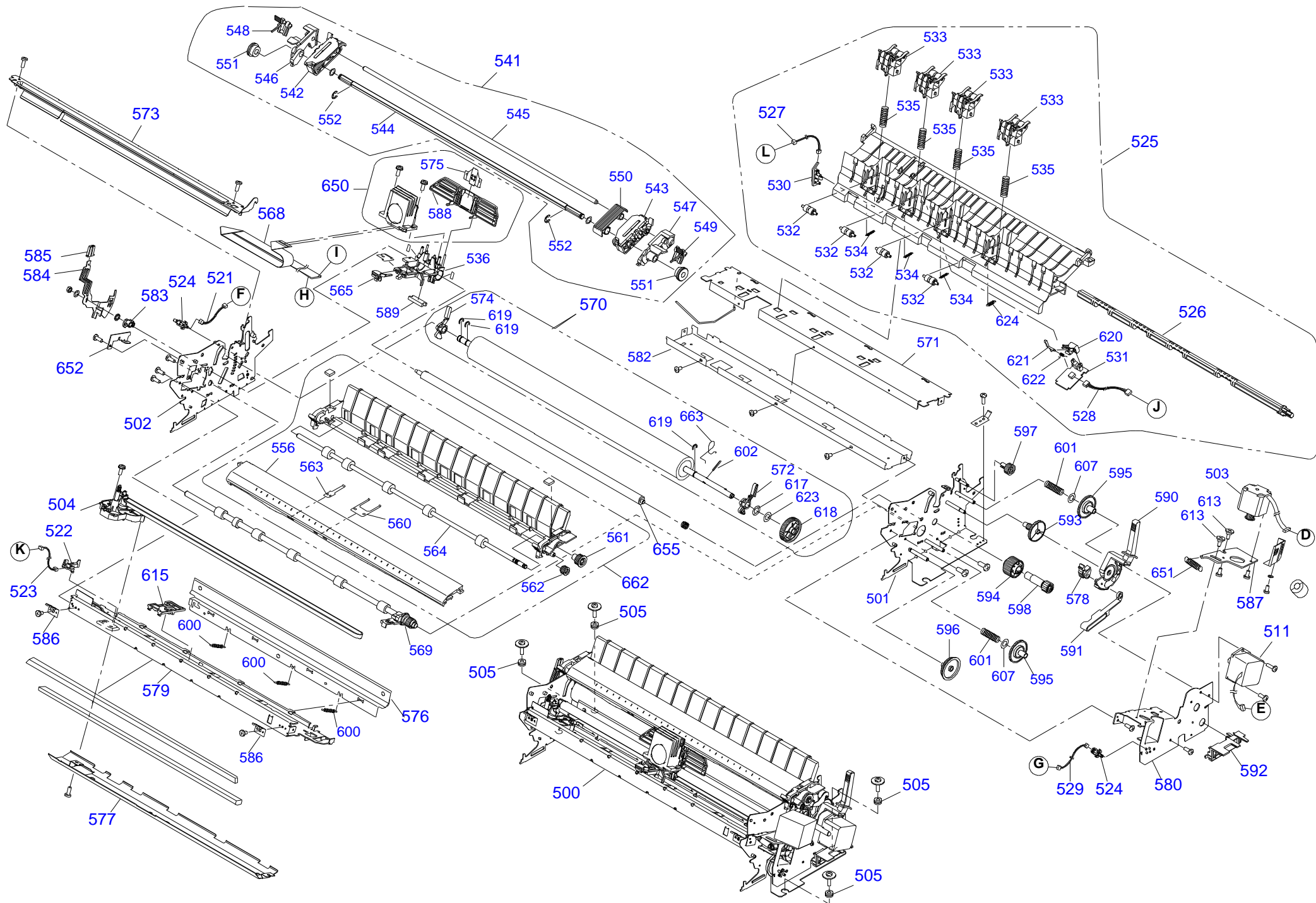


LQ-2090 NO.2

Rev.02

C559-CASE-012





Part Code Link to Part Information)	Part Name	Ref No. (Link to Exploded Diagram)	Category	Qty
1262879	EDGE GUIDE ASSY.,FRONT;B	150	Accessories	1
1293675	HOUSING ASSY.,LOWER	100	Case	1
1004605	FOOT	101	Case	2
1266428	HOUSING ASSY.,UPPER	102	Case	1
1285811	COVER ASSY.,PRINTER,REAR;B	103	Case	1
1285810	COVER ASSY.,PRINTER;B	104	Case	1
1242626	WIHG;EPAG	105	Case	1
1302654	SHEET GUIDE ASSY.;B	106	Case	1
1266429	COVER ASSY.,FRONT	107	Case	1
1234171	KNOB	108	Case	1
1233915	SHIELD,PLATE,UPPER	109	Case	1
1233914	SHIELD PLATE;B	110	Case	1
1233912	SHIELD PLATE	111	Case	1
1233916	GROUNDING PLATE	112	Case	3
1274015	SHEET,PANEL	113	Case	1
1236524	COVER,CONNECTOR,UPPER;EPAG	115	Case	1
1242291	MOUNT,HOUSING	116	Case	1
1296704	GUIDE,I/F BOARD;B	117	Case	1
1234159	HOLDER,SHEET GUIDE,L	118	Case	1
1234160	HOLDER,SHEET GUIDE,R	119	Case	1
1242638	LOGO PLATE,12X48;C	120	Case	1
1242257	SHEET,RELEASE,CAP	121	Case	1
1236041	STOPPER,COVER,FRONT	122	Case	1
2101239	FAN ASSY.	123	Case	1
1233911	GROUNDING PLATE,I/F	132	Case	1
1064693	GROUNDING PLATE,I/F,UPPER	133	Case	1
1037280	GROUNDING PLATE,BOTTOM	137	Case	1
1234169	HOLDER,CABLE	138	Case	1
1288506	COVER ASSY.,SUB,FRONT	139	Case	1
2100050	BOARD ASSY., MAIN	200	Electronic Parts	1
2080699	BOARD ASSY., POWER SUPPLY	300	Electronic Parts	1
2082139	HARNES	350	Electronic Parts	1
2081151	HARNES	372	Electronic Parts	1
1262597	HOUSING ASSY.,PANEL	450	Electronic Parts	1
2088498	PRINTER MECHANISM(ASP)M-5Z60-100	500	Mechanism Parts	1
1272177	FRAME ASSY.,RIGHT	501	Mechanism Parts	1
1232302	FRAME ASSY.,LEFT	502	Mechanism Parts	1
2035035	MOTOR ASSY.,CR	503	Mechanism Parts	1
1242126	RD ASSY.	504	Mechanism Parts	1
1250538	BASE RUBBER	505	Mechanism Parts	4
2032831	MOTOR, PF	511	Mechanism Parts	1
2026508	HARNES,PG	521	Mechanism Parts	1
2004004	DETECTOR,HP	522	Mechanism Parts	1
2026507	HARNES,HP	523	Mechanism Parts	1
2014328	CONNECTOR SWITCH;B	524	Mechanism Parts	2
1265824	PAPER GUIDE ASSY.,REAR	525	Mechanism Parts	1
1005217	SHAFT,RELEASE	526	Mechanism Parts	1
2026505	HARNES,PE,FRONT	527	Mechanism Parts	1
2026506	HARNES,PE,REAR	528	Mechanism Parts	1
2025897	HARNES,RE	529	Mechanism Parts	1
2071496	DETECTOR,PE,FRONT,S	530	Mechanism Parts	1
1005727	DETECTOR ASSY., REAR	531	Mechanism Parts	1
1005213	ROLLER,PF,DRIVEN,LOWER	532	Mechanism Parts	4
1005282	ROLLER ASSY.,PF	533	Mechanism Parts	4
1005215	EXTENSION SPRING,70	534	Mechanism Parts	3
1005214	COMPRESSION SPRING,1000	535	Mechanism Parts	4
1269394	CARRIAGE SUB ASSY	536	Mechanism Parts	1
1408792	TRACTOR ASSY.	541	Mechanism Parts	1
1408766	TRACTOR,LEFT;EDGB	542	Mechanism Parts	1
1408768	TRACTOR,RIGHT;EDGB	543	Mechanism Parts	1
1038503	SHAFT,TR,DRIVE	544	Mechanism Parts	1
1005251	SHAFT,TR,GUIDE	545	Mechanism Parts	1
1251312	FRAME,TR,LEFT;EPAG	546	Mechanism Parts	1
1251313	FRAME,TR,RIGHT;EPAG	547	Mechanism Parts	1
1251314	LEVER,TR,LEFT;EDGB	548	Mechanism Parts	1
1251315	LEVER,TR,RIGHT;EDGB	549	Mechanism Parts	1
1025296	PAPER SUPPORT	550	Mechanism Parts	1
1039507	SPUR GEAR,20	551	Mechanism Parts	2
1074768	RETAINING RING(B150300911)	552	Mechanism Parts	2
1277107	COVER,PAPER EJECT	556	Mechanism Parts	1
1005243	LEAF SPRING,PAPER EJECT,DOUBLE	560	Mechanism Parts	1
1235581	SPUR GEAR,15	561	Mechanism Parts	1
1004929	SPUR GEAR,11.5	562	Mechanism Parts	1
1005514	LEAF SPRING,PAPER EJECT,SINGLE	563	Mechanism Parts	1
1038502	ROLLER,EJ,DRIVE	564	Mechanism Parts	1
1008704	SLIDER,CR	565	Mechanism Parts	1
2085778	CABLE,HEAD	568	Mechanism Parts	1
1090459	ROLLER ASSY.,DRIVE	569	Mechanism Parts	1
1242127	PLATEN ASSY.	570	Mechanism Parts	1
1236997	FRAME,REAR	571	Mechanism Parts	1
1232297	BUSHING,8,RIGHT	572	Mechanism Parts	1
1243506	COVER,PLATEN	573	Mechanism Parts	1
1232296	BUSHING,8,LEFT	574	Mechanism Parts	1
1274547	RIBBON MASK	575	Mechanism Parts	1
1043222	PAPER GUIDE ASSY.,SUPPORT	576	Mechanism Parts	1
1237002	GUIDE,PAPER LOAD	577	Mechanism Parts	1
1235585	LEVER,RELEASE,TRANSMISSION;W	578	Mechanism Parts	1
1282261	FRAME,FRONT	579	Mechanism Parts	1
1235586	FRAME,SUB,RIGHT	580	Mechanism Parts	1
1236999	FRAME,BASE	582	Mechanism Parts	1
1232294	BUSHING,PARALLEL,ADJUST	583	Mechanism Parts	1
1232267	LEVER,GAP,ADJUST	584	Mechanism Parts	1
1251316	CAP,LEVER;EDGB	585	Mechanism Parts	1
1036501	GROUNDING PLATE,MECHA	586	Mechanism Parts	2
1005185	MOUNTING PLATE,MOTOR,CR	587	Mechanism Parts	1
1259448	HOLDER,RIBBON MASK	588	Mechanism Parts	1
1038496	OIL PAD	589	Mechanism Parts	1
1251311	LEVER,RELEASE;EDGB	590	Mechanism Parts	1
1028357	CAM,CLUTCH,TRACTOR	591	Mechanism Parts	1
1036498	HOLDER,CABLE	592	Mechanism Parts	1
1005222	COMBINATION GEAR,8,30	593	Mechanism Parts	1
1005224	SPUR GEAR,27	594	Mechanism Parts	1
1013093	SPUR GEAR,34.5	595	Mechanism Parts	2
1005226	SPUR GEAR,34	596	Mechanism Parts	1
1005227	SPUR GEAR,15	597	Mechanism Parts	1
1028359	INTERMITTENT GEAR	598	Mechanism Parts	1
1005201	EXTENSION SPRING,71	600	Mechanism Parts	3
1005232	COMPRESSION SPRING,200	601	Mechanism Parts	2
1031702	SPRING PIN,2X18,F/B	602	Mechanism Parts	1
1076264	PLAIN WASHER(B100166012)	607	Mechanism Parts	2
1296960	SHAFT,MOUNT PLATE,CR-3C	613	Mechanism Parts	2
1005176	HOLDER,CABLE,HEAD	615	Mechanism Parts	1
1076285	LEAF SPRING(B101253990)	617	Mechanism Parts	1
1031612	SPUR GEAR,36	618	Mechanism Parts	1
1074777	RETAINING RING(B160101412)	619	Mechanism Parts	3
1025323	LEVER,DETECTOR,PE,REAR	620	Mechanism Parts	1
1025324	LEVER,PE,SUPPORT	621	Mechanism Parts	1
1025325	TORSION SPRING,0.26	622	Mechanism Parts	1
1076264	PLAIN WASHER(B100166012)	623	Mechanism Parts	1
1039448	EXTENTION SPRING,1.18	624	Mechanism Parts	1
1279490	HEAD KIT ASP	650	Mechanism Parts	1
1080933	EXTENSION SPRING,16.45	651	Mechanism Parts	1
1080935	HOLDER,PULLEY DRIVEN	652	Mechanism Parts	1
1265406	SHAFT,CR,GUIDE	655	Mechanism Parts	1
1277106	PAPER EJECT ASSY.	662	Mechanism Parts	1
1039973	GROUNDING WIRE,PLATEN	663	Mechanism Parts	1
1049820	OIL O-14	NON FIG	Tools	1
1218235	GREASE G-63	NON FIG	Tools	1