

# EPSON LQ680PRO

Main items in Bold Type

Page 1

REF	PART NO	DESCRIPTION	SPEC	
100	1054565	HOUSING,UPPER		1
101	1054567	COVER,PRINTER		1
102	1060019	HOUSING ASSY,LOWER		1
103	1058905	LOGO PLATE		1
104	1060020	COVER ASSY.,PRINTER;B		1
105	1060021	SHEET GUIDE ASSY.		1
106	1054582	SHIELD PLATE,UPPER		1
107	1054581	SHIELD PLATE,LOWER		1
108	1060757	COVER,WIRING ASSY.		1
109	1037269	GUIDE RAIL TYPE-B		1
110	1054584	GROUNDING PLATE		4
111	1037270	GROUNDING SPRING TYPE-B		1
112	1054583	GROUNDING PLATE,I/F		1
113	1036511	KNOB		1
114	1025409	PRINTER MECHANISM MOUNTING SCREW		4
115	1002045	COVER,CONNECTOR,UPPER		1
119	B300200111	C.B.S. SCREW	M3X4	4
121	1012350	C.B.P-TITE,3X10,F/ZN		17
122	B310206511	C.B.B. SCREW	M4X14	5
<b>200</b>	<b>2040444</b>	<b>BOARD ASSY.,MAIN</b>	<b>5657C,NLSP(STD)</b>	<b>1</b>
<b>300</b>	<b>2035182</b>	<b>BOARD ASSY.,POWER SUPPLY</b>	<b>5659A,STANDARD</b>	<b>1</b>
450	1060024	HOUSING ASSY.,PANEL;SDT		1
451	1056784	SHEET,PANEL		1
400	2002364	POWER CABLE,(VD31303SA-10A)	230V	1
500	2037283	PRINTER MECHANISM(ASP),M-5U60-100		1
501	F334005230	PLATEN SHAFT HOLDER		6
502	F334005370	PLATEN SHAFT HOLDER	GRAY	2
503	F334101020	BELT DRIVEN PULLEY FLANGE		1
504	F334101070	CUT WASHER		1
506	1039507	SPUR GEAR,20		1
507	1025296	PAPER SUPPORT		1
508	1025335	BASE RUBBER		4
509	1054524	COVER LEVER,PG;B		1
510	1054506	BUSHING,PARALLEL,ADJUST		2
511	1055928	CAP,LEVER		1
512	1054553	HOLDER,PE DETECTOR,FRONT		1
513	1054529	KNOB,RELEASE		1
514	1054559	HOLDER,CABLE,LOWER		1
515	1054486	HOLDER,RIBBON MASK		1
516	1054489	SLIDER,REAR		1
517	1054492	COMBINATION GEAR,10,18		1
518	1032466	SPUR GEAR,11		1
519	1032467	COMBINATION GEAR,9,17		1
520	1032468	COMBINATION GEAR,14,26		1
521	1032469	RATCHET,RD		1
522	1032470	LEVER,RD,PLAIN		1
523	1054494	PULLEY,DRIVEN		1
524	1054498	COVER,MOTOR,CR		1
525	B302502311	C.P.S.P.SCREW		1
526	1054527	SHAFT,RELEASE		1
527	1054528	BASE,LEVER,RELEASE		1
528	1032475	RELEASE GEAR		1
529	1054542	ROLLER,PAPER LOAD,DRIVEN		4
530	1054543	LEVER,PAPER GUIDE,CHANGE		4
531	1054544	HOLDER,PAPER LOAD,DRIVEN		4
532	1054545	BEARING,PAPER LOAD,DRIVEN		1
533	1054551	ROLLER,PAPER EJECT,DRIVEN		4
534	1054549	HOLDER,LEVER,PAPER EJECT		4
535	1054550	LEVER,PAPER EJECT,DRIVEN		4
536	1032483	COMBINATION GEAR,8,30		1
537	1032484	SPUR GEAR,36		1
538	1032485	SPUR GEAR,18		2
539	1032486	COMBINATION GEAR,16,16		1
540	1054557	SPUR GEAR,16		2
541	1032488	SPUR GEAR,20		1
542	1032489	SPUR GEAR,20		1

# EPSON LQ680PRO

Main items in Bold Type

Page 2

REF	PART NO	DESCRIPTION	SPEC	
543	1054532	FRAME,BASE		1
544	1054534	FRAME,CR		1
545	1054491	GUIDE,CR		1
546	1054520	LEVER,PG;B		1
547	1032496	RIBBON MASK		1
548	1054497	MOUNTING PLATE,MOTOR,CR		1
549	1054493	LEVER,PULLY,DRIVEN		1
550	1054526	PAPER GUIDE		1
551	1032500	COVER,TRACTOR		1
552	1054548	FRAME,PAPER EJECT		1
553	1054508	SHAFT,CR,GUIDE,STD.		1
554	1032510	SHAFT,RD,PLANET		1
555	1032513	SHAFT,LEVER,PULLEY,DRIVEN		1
556	1054541	SHAFT,PAPER LOAD,DRIVEN		1
557	1032517	SHAFT,TR.DRIVE		1
558	1032518	SHAFT,TR,GUIDE		1
559	1054488	SLIDER,FRONT		1
560	1032520	OIL PAD		1
561	1032521	TIMING BELT		1
562	1060200	CERAMIC PLATEN		1
563	1054539	ROLLER,PAPER LOAD,DRIVE		1
564	1054547	ROLLER,PAPER EJECT,DRIVE		1
565	1057136	TRACTOR,LEFT		1
566	1057137	TRACTOR,RIGHT		1
567	1060172	COMPRESSION SPRING,3.57		1
568	1054490	EXTENSION SPRING,17.44		1
569	1032530	EXTENSION SPRING,0.55		4
570	1037275	COMPRESSION SPRING,2.94		2
571	1060616	COMPRESSION SPRING,1.96		2
572	1060173	COMPRESSION SPRING,1.18		4
573	1032533	COMPRESSION SPRING,1.96		1
574	1054802	CARRIAGE ASSY.		1
575	1054801	FRAME ASSY.,RIGHT		1
576	1054800	FRAME ASSY.,LEFT		1
578	1059931	P.C.B.ASSY.,PW		1
579	1054806	HOLDER ASSY.,RIBBON CARTRIDGE		1
581	2020393	DETECTOR,LEAF,B2	1.0V,0A,	2
582	2021833	DETECTOR,HP;C	4V,50MA,100MW,	1
584	2035049	HARNESS,PE,FRONT		1
586	2035051	HARNESS,RE		1
587	2035050	HARNESS,PE,REAR		1
588	2035035	MOTOR ASSY.,CR	,	1
589	2035037	MOTOR ASSY.,PF	,	1
591	2023550	DETECTOR,PE,REAR	0,0,0,	1
592	1033552	COMPRESSION SPRING,0.049		1
593	1054555	HOLDER,PJ,PE,DETECTOR		1
600	B010302211	C.B.SCREW	M2.5X5	1
601	B010303311	C.B.SCREW	M3X6	8
602	B070200411	HEXAGON NUT	M4	4
603	1055957	P.W,3.1X0.5X12,F/NI		2
604	B100153090	PLAIN WASHER	5.2X0.3X10	1
605	B100166012	PLAIN WASHER	8X0.5X15	3
606	B101253990	LEAF SPRING	8.2X0.25X15	3
607	B101254190	LEAF SPRING	3.4X0.1X7.3	1
608	B150300611	RETAINING RING	TYPE-E(3)	2
609	B150300711	RETAINING RING	TYPE-E(4)	3
610	B150300911	RETAINING RING	TYPE-E(6)	2
611	B160101412	RETAINING RING	TYPE-C	4
612	B300204211	C.B.S. SCREW	M3X6	26
613	B300204411	C.B.S. SCREW	M3X10	2
615	2036842	BRUSH,STATIC DISCHARGE		1
616	1017070	NYLON PUSH RIVET		2
617	2035039	BOARD ASSY.,PE DETECTOR,FRONT	,	1
618	1054500	RACK,CR		1
619	1054562	COMPRESSION GEAR,8,37.2		1

# EPSON LQ680PRO

Main items in *Bold Type*

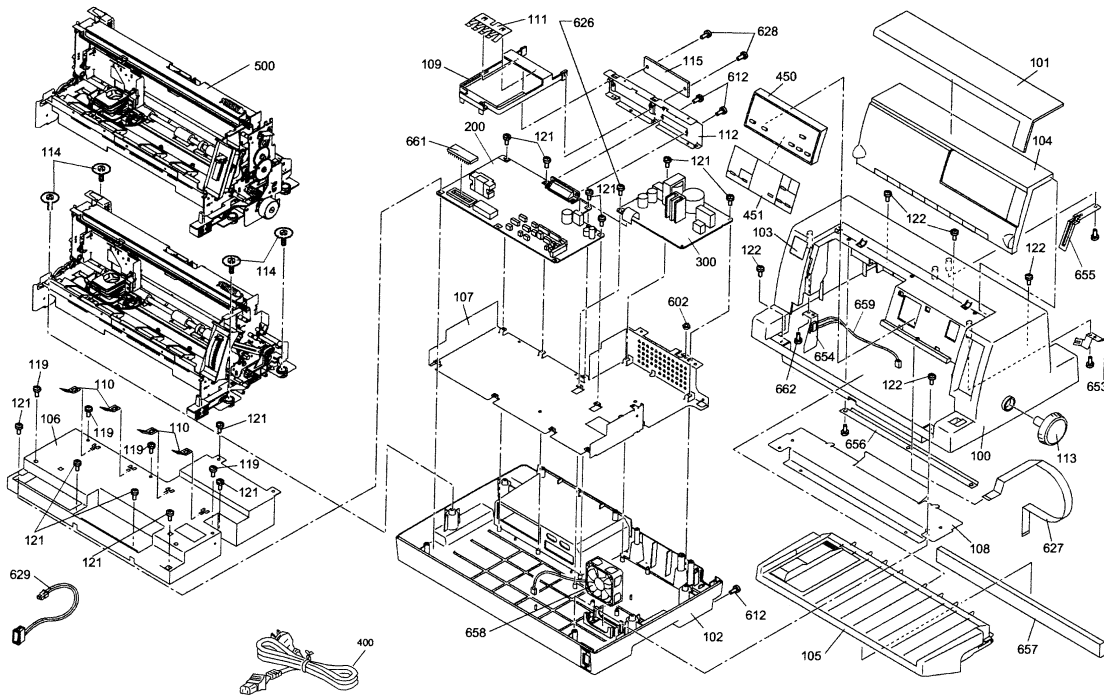
Page 3

REF	PART NO	DESCRIPTION	SPEC	
627	2035269	HARNES		1
628	1002674	C.B.S-TITE SCREW	M3X12	2
629	2035200	HARNES		1
630	2035045	HARNES,PG DETECTOR		1
634	1054507	BUSHING,7		2
635	2035044	HARNES,CR,HP		1
636	1054495	SHAFT,PULLEY,DRIVEN		1
637	1054501	EXTENSION SPRING,9.82		1
638	1054503	HOLDER,CABLE,UPPER		1
640	2035041	CABLE,HEAD,UPPER		1
641	2035042	CABLE,HEAD,LOWER		1
642	2035043	CABLE,DETECTOR		1
646	1044690	BEARING,ROLLER,DIRECT		1
647	1054552	SHAFT,PAPER EJECT,DRIVEN		4
648	1054554	SHEET,REFLECTION,PE DETECTOR		1
649	1054791	SPUR GEAR,16		1
<b>650</b>	<b>F081000</b>	<b>PRINT HEAD</b>	<b>24</b>	<b>1</b>
651	1027628	LABEL,WARNING		1
652	1059924	GROUNDING PLATE,CR		1
653	1054586	GROUNDING PLATE,PANEL		1
654	1054587	HOLDER,INTERLOCK		1
655	1054945	BRACKET,SUPPORT		1
656	1059005	BRACKET,SUPPORT;B		1
657	1060100	INSULATOR;B		1
658	2037257	FAN ASSEMBLY	,	1
659	2037490	DETECTOR ASSY.,CASE OPEN	..	1
660	1059925	LEAF SPRING,LEVER,PG		1
661	2038928	EP-ROM	DIP,8 MBIT,42	1
662	1060103	C.B.S-TITE SCREW,2X8,F/ZN		1
663	1054546	ROLLER,PAPER LOAD,SUPPORT		1
<b>END!</b>				

# EPSON LQ680PRO

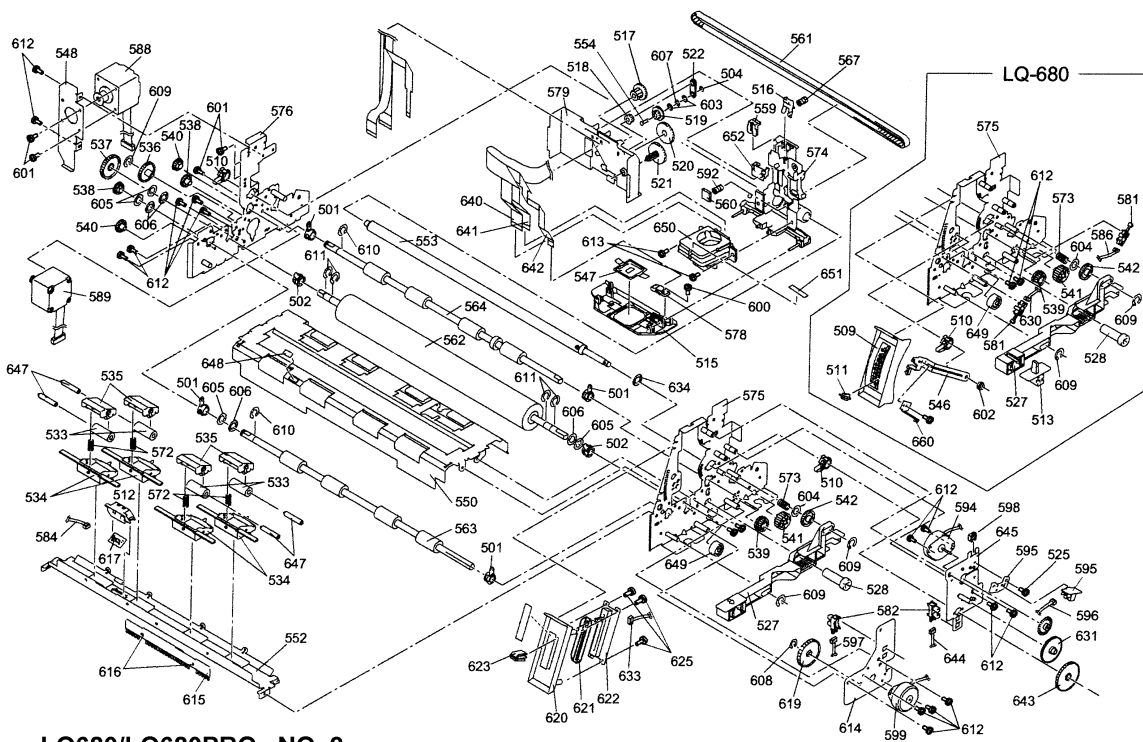
Main items in Bold Type

Page 4



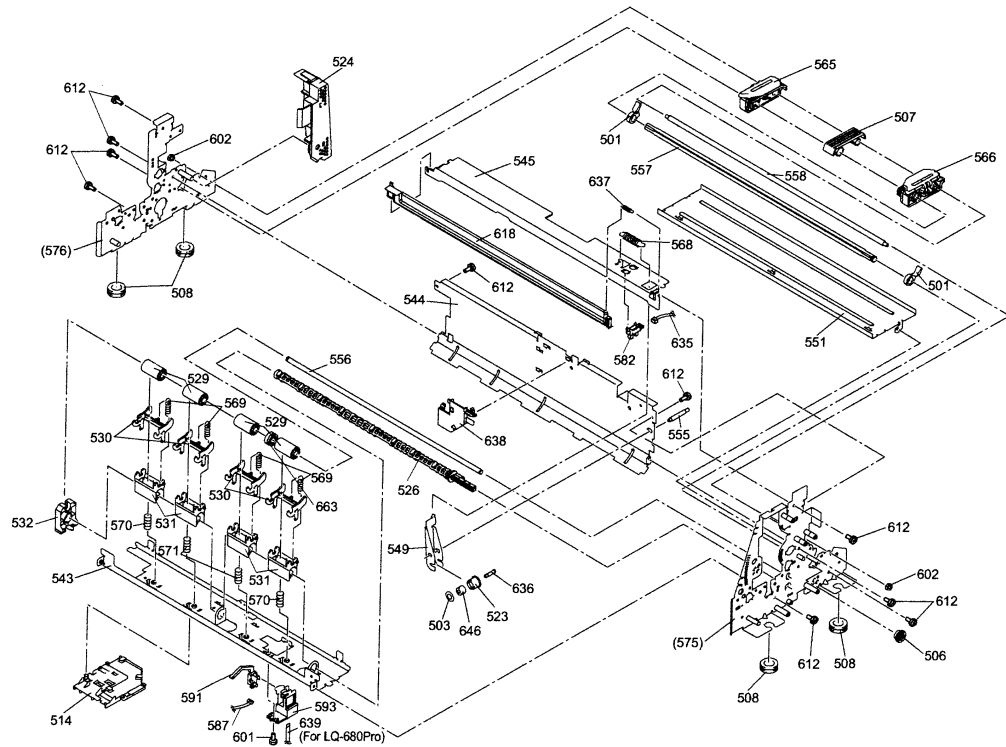
LQ-680/LQ-680PRO

NO.01



LQ680/LQ680PRO NO. 2

**EPSON**  
**LQ680PRO**  
*Main items in Bold Type*  
Page 5



LQ-680/LQ-680PRO

NO.03