

# EPSON STYLUS COLOR 680

(STANDARD VERSION-see also 'IMAC' & Black Versions)

Page 1

REF	PART NO	DESCRIPTION	SPEC	QTY
100	1059406	HOUSING;EPW		1
101	1056446	COVER,PRINTER		1
102	1059412	PAPER SUPPORT;EPW		1
103	1059439	HOUSING,PANEL,LEFT;EPW		1
104	1056407	SHIELD PLATE,UPPER		1
105	1056408	COVER,SHIELD PLATE		1
106	1056406	SHIELD PLATE,M/B		1
107	1058403	LOGO PLATE 10X40;C		1
108	1059568	PANEL ASSY.;EPW		1
109	1056455	BUTTON,PW		1
110	1056457	OPTICAL TUBE		1
111	1056458	SHIELD PLATE,PANEL		1
112	1056452	SHEET,STACKER		1
113	1059414	STACKER;EPW		1
114	1059418	STACKER,SUPPORT;EPW		1
115	1056453	LOCK,STACKER		2
117	1047689	FOOT		4
118	1059762	LABEL,MODEL NAME;C		1
119	1060219	SHEET,PF,SUPPORT		1
121	B010103311	C.P.SCREW	M3X6	3
122	B300204211	C.B.S. SCREW	M3X6	32
123	1032538	C.B.(O) SCREW,4X5,F/ZG		1
124	1053639	C,B,S-TITE R.SCREW,3X6,F/UC		3
125	1005019	C.B.P-TITE SCREW,3X8,F/ZN	M3X8 F/ZN	6
127	1059305	C.F.S-TITE,3X8,F/ZN		2
<b>200</b>	<b>2035905</b>	<b>BOARD ASSY.,MAIN</b>	<b>SEE NOTE BELOW</b>	<b>1</b>
<b>300</b>	<b>2035909</b>	<b>BOARD ASSY.,POWER SUPPLY</b>	<b>5674A,STANDARD</b>	<b>1</b>
330	2036178	HARNESS		1
450	2035911	BOARD ASSY.,PNL	5675A,STANDARD	1
400	2006741	POWER CABLE,BS31303SA-SR-10A	240V	1
501	1056719	FRAME ASSY.,MAIN		1
502	1056427	COMBINATION GEAR,9.6,24		1
503	1056426	SPUR GEAR,36.8		1
504	1056429	COMBINATION GEAR,37.6,44.4		1
505	1056581	PUMP ASSY.		1
506	1055173	CAP ASSY.		1
507	2035632	MOTOR ASSY.,CR	,DC	1
508	2035634	MOTOR ASSY.,PF	,DC	1
509	1056415	TIMING BELT		1
510	1056431	SPUR GEAR,15		1
511	1053225	SPRING PIN,2X14.5		1
512	1056404	FRAME,FRONT		1
513	1056419	PULLEY,DRIVEN		1
514	1050347	SHAFT,PULLEY,DRIVEN		1
515	1050346	BUSHING,PULLEY,DRIVEN		2
516	1056418	HOLDER,PULLEY,DRIVEN		1
517	1030957	COMPRESSION SPRING,5.85		1
518	1058404	COMPRESSION SPRING,19.6		1
519	1036680	INSULATOR,MOTOR,CR		4
520	1024352	SPACER,INSULATOR		4
521	1040582	SPUR GEAR,73.6		1
522	1056422	ROLLER,PF		1
523	1052677	BUSHING,ROLLER,PF		1
524	1059746	BUSHING,ROLLER,PF,LEFT		1
525	1037094	SPACER,FASTEN,ROLLER,PF		1
526	1056432	GROUNDING WIRE,PF		1
527	1031164	C-RING		1
528	1030967	PLAIN WASHER,12.2X0.5X15		2
529	1052612	ROD SPRING,SHAFT,CR,GUIDE		2
530	1056409	CARRIAGE		1
531	1058545	SHAFT,CR,GUIDE;B		1
532	1056410	SLIDER,CR		1
533	1056412	GROUNDING PLATE,HEAD		1
534	1032301	SCALLOP SPRING PIN-AW,2X16,F/B		1
535	1056434	ROLLER,EJ		1
536	1056433	PAPER GUIDE,FRONT		1
539	1052671	TORSION SPRING,52.92		4
540	1052668	PAPER GUIDE,UPPER		3

# EPSON

## STYLUS COLOR 680

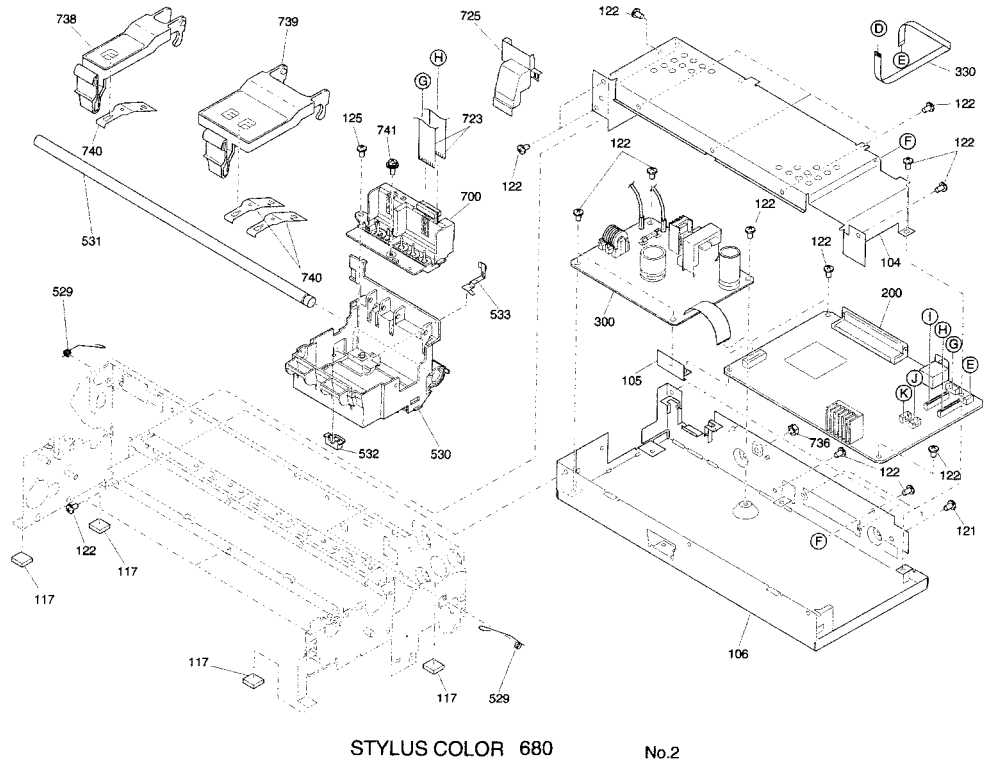
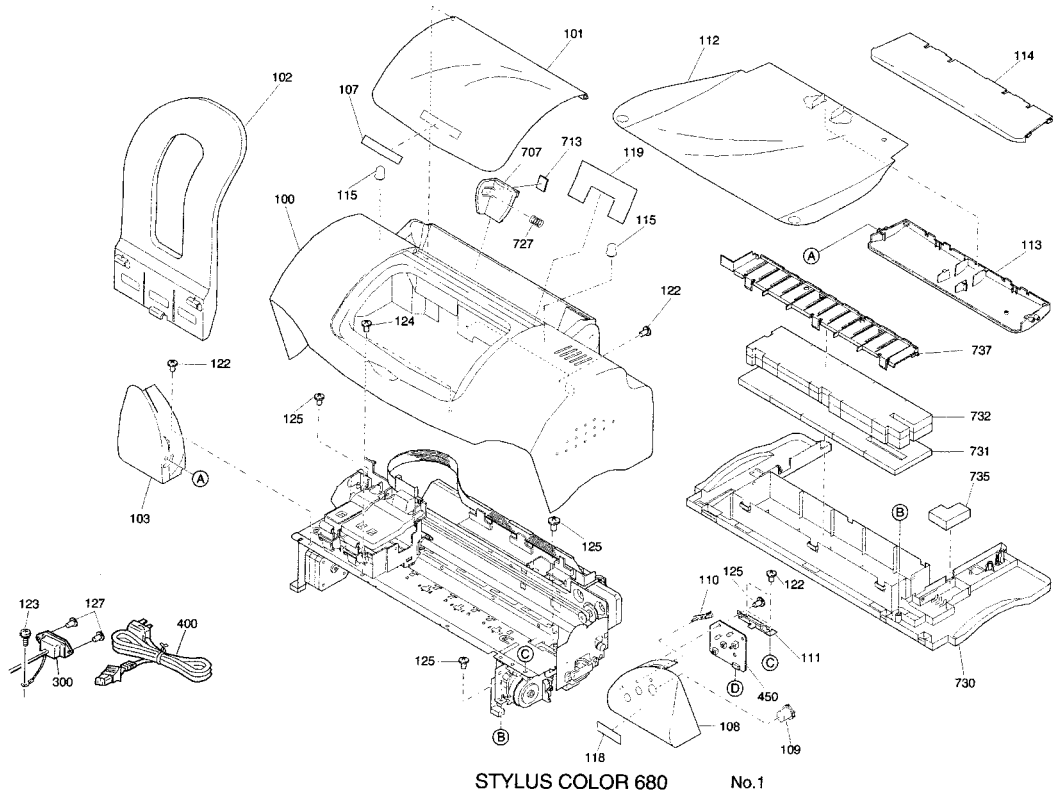
Page 2

REF	PART NO	DESCRIPTION	SPEC	QTY
541	1052669	ROLLER,DRIVEN		8
542	1052670	SHAFT,ROLLER,DRIVEN		4
543	1052682	HOLDER,STAR WHEEL,FRONT		4
544	1056435	HOLDER,STAR WHEEL,REAR		6
545	1045223	STAR WHEEL ASSY.,8;E		10
546	1032244	ROD SPRING,STAR WHEEL		5
547	1033652	STAR WHEEL,8;B		1
548	1056430	PAPER GUIDE,LEFT		1
549	1054460	HOLDER,STAR WHEEL,EJ		1
550	1056860	SPUR GEAR,25.6		1
551	1056424	COMBINATION GEAR,11.6,36.8		1
552	1030971	PLAIN WASHER,4.1X0.5X6.5		1
553	1040644	BUSHING,FASTEN,COMBINATION GEAR		1
554	1040581	COMBINATION GEAR,16,21.6		1
555	1023219	BUSHING NUT,2		1
556	1024505	HEXAGON NUT,NORMAL,M3		7
557	1059310	GROUNDING PLATE,HEAD FFC		1
558	1034669	POROUS PAD SLIDER		
<b>700</b>	<b>F084000</b>	<b>PRINT HEAD</b>	<b>288</b>	<b>1</b>
701	1056423	LEVER,CHANGE		1
702	1059377	COMPRESSION SPRING,1.47		1
703	2037213	HARNES,DETECTOR	...	1
704	2021833	DETECTOR,HP;C	4V,50MA,100MW,	1
705	1056440	HOLDER,SHAFT		1
706	1052596	LEVER,DETECTOR,HP		1
707	1059148	EDGE GUIDE;B		1
708	1052687	HOPPER		1
709	1056439	FRAME,ASF		1
710	1052694	PAD,HOPPER		1
711	1057168	HOLDER,PAD		1
712	1059009	PAD,LD,SMALL		1
713	1053757	PAD,BRAKE,EDGE GUIDE		1
714	1057554	PAD,LD;D		1
715	1052595	LEVER,DETECTOR,PE		1
716	1059633	ROLLER,LD		1
717	1052673	EXTENSION SPRING,0.143		1
718	1057167	SHAFT,ROLLER,LD		1
719	1059524	CLUTCH		1
720	1052717	SPUR GEAR,35.2		1
721	1039368	SPUR GEAR,23.2		1
722	1060220	TORSION SPRING,36.8		1
723	2035636	CABLE,HEAD		1
724	1052693	COMPRESSION SPRING,4.80		1
725	1056411	HOLDER,CABLE HEAD		1
726	1052613	TORSIONSPRING,0.22		2
727	1054977	COMPRESSION SPRING 3.75		1
728	1054820	SHAFT,ROLLER,LD,SUPPORT		1
729	1032300	C.P.S-TITE(P4),3X6,F/ZN		1
730	1056448	TRAY,POROUS PAD		1
731	1056197	POROUS PAD,INK EJECT,LARGE		1
732	1056198	POROUS PAD,INK EJECT,SMALL		2
733	1060089	SHEET,PROTECTION		2
734	1055584	CLEANER, HEAD ASP		1
735	1059198	POROUS PAD,INK EJECT,CAP,LOWER		1
736	B070200411	HEXAGON NUT	M4	1
737	1056436	PAPER GUIDE,LOWER		1
738	1056420	COVER,CARTRIDGE,BLACK		1
739	1056421	COVER,CARTRIDGE,COLOUR		1
740	1059196	PLATE SPRING,COVER,CARTRIDGE		3
741	1023043	+ BIND B-TITE SEMS W2,2.5X5,F/ZB		1
742	1045787	C.B.S-TITE(P4),3X8,F/ZN		1
N/A	1056299	INK CARTRIDGE,BLACK,AS		1
N/A	1056300	INK CARTRIDGE,COLOUR,AS		1
N/A	1057869	BUNDLE PACK,011,		1
END				

NOTE: REFER TO "TECHEXCHANGE" FOR INFORMATION ABOUT ORDERING IC'S

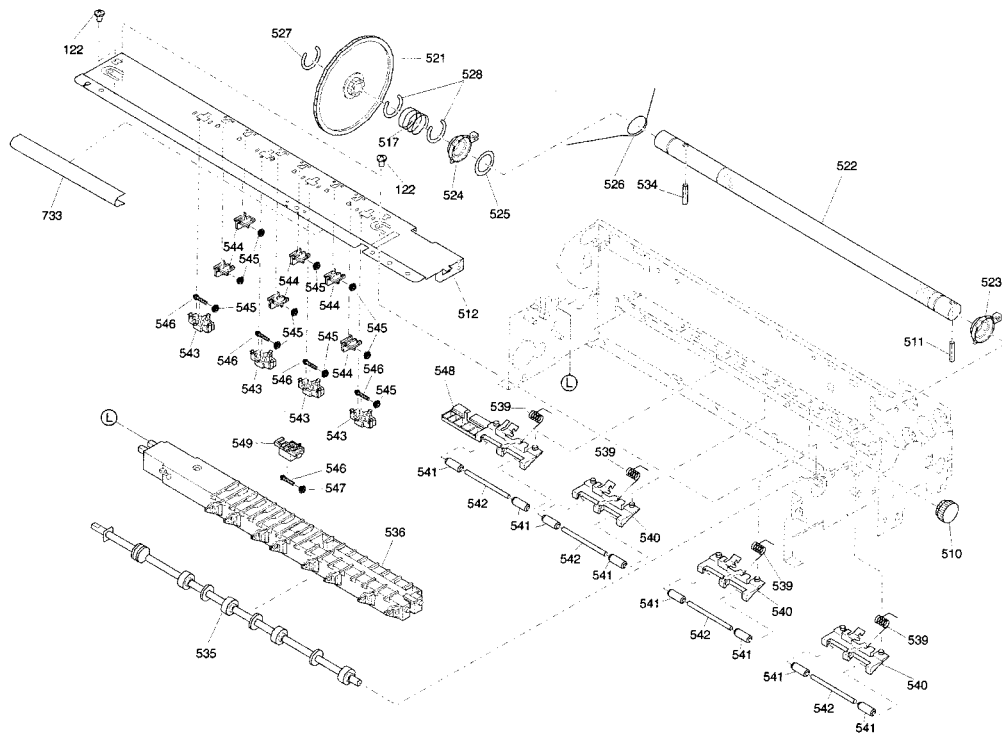
# EPSON STYLUS COLOR 680

Page 3



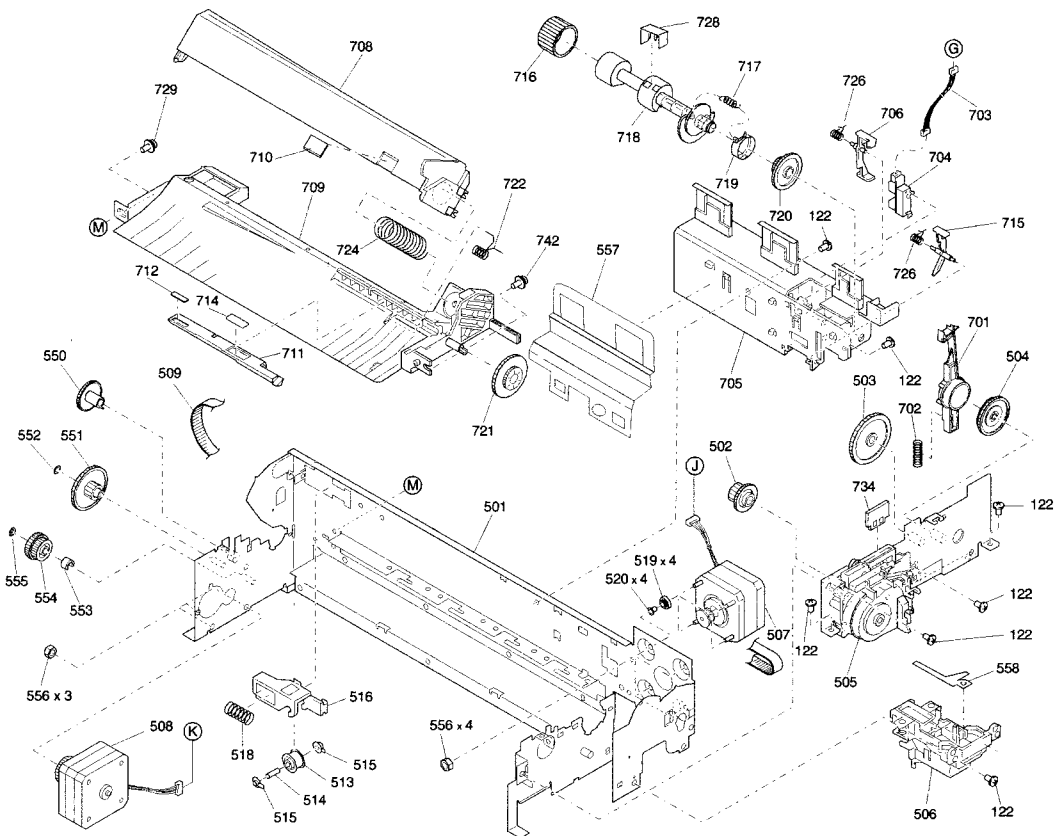
# EPSON STYLUS COLOR 680

Page 4



STYLUS COLOR 680

No.3



STYLUS COLOR 680

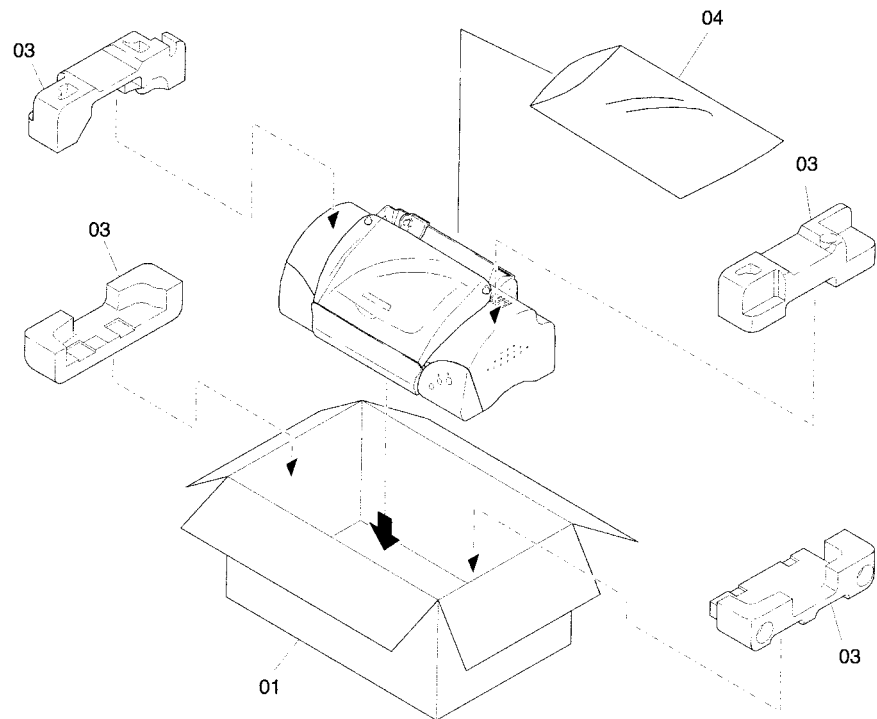
No.4

Rev.02

10243

# EPSON STYLUS COLOR 680

Page 5



STYLUS COLOR 680

No.5